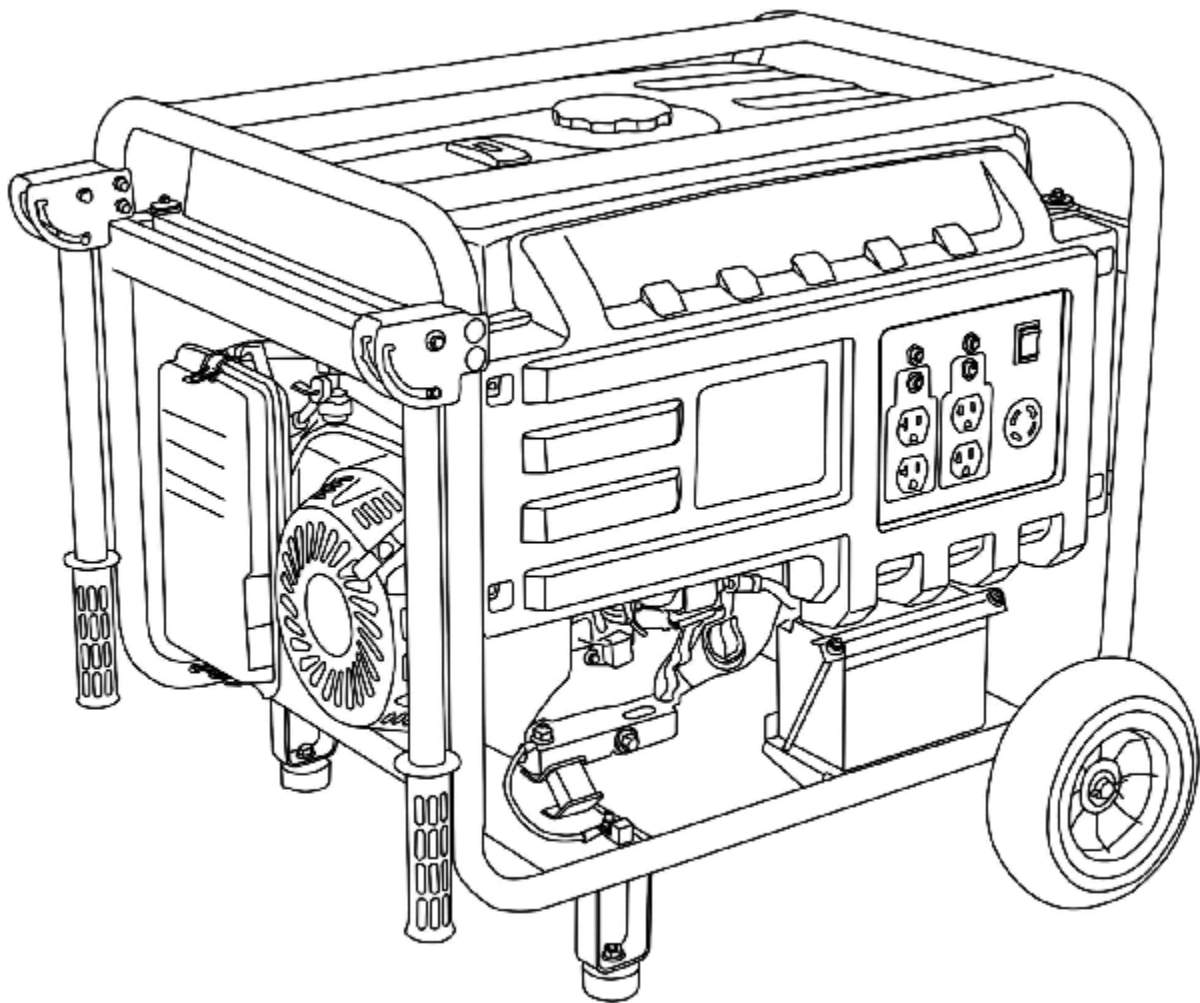


POULAN PRO

Portable Electric Generator Owner's Manual

Model: PP4300/PP6600/PP6600E/PP7600E



IMPORTANT - Please make certain the person who uses this generator thoroughly reads these instructions and all other instructions provided to ensure proper safety, use, and care of your new portable electric generator.

Consumers service: 1-800-849-1297

WWW.POULANPRO.COM

TABLE OF CONTENTS

INTRODUCTION.....	2
SAFETY RULES.....	3-4
SYMBOLS.....	5-7
FEATURES.....	8-10
ASSEMBLY.....	11-13
OPERATION.....	14-16
ELECTRICAL.....	17
MAINTENANCE.....	18-19
STORAGE.....	20
TROUBLESHOOTING.....	21
WARRANTY.....	22-27
PARTS ORDERING/SERVICING.....	28

INTRODUCTION

This product has many features for making its use more pleasant and enjoyable. Safety, performance, and dependability have been given top priority in the design of this product, making it easy to maintain and operate.

In the State of California, a spark arrester is required by law (Section 4442 of the California Public Resources Code). Other states may have similar laws. Federal laws apply on federal lands. The muffler is equipped with a spark arrester; it must be maintained in effective working order. Replacement spark arresters may be obtained by calling 1-800-849-1297.



WARNING

The engine exhaust from this product contains chemicals known to the State of California to cause cancer, birth defects, or other reproductive harm.

IMPORTANT!
FILL OUT ENCLOSED PRODUCT REGISTRATION CARD AND MAIL

SAFETY RULES

DANGER



Running generator gives off carbon monoxide, an odorless, colorless, poison gas. Breathing carbon monoxide will cause nausea, fainting, or death.

- Operate generator ONLY outdoors.
- Keep clearance on all sides of generator for adequate ventilation.
- DO NOT operate generator inside any building or enclosure, including the generator compartment of a recreational vehicle (RV).

DANGER



Failure to properly ground generator can result in electrocution, especially if the generator is equipped with a wheel kit.

- National Electric Code requires generator to be properly grounded to an approved earth ground. Call an electrician for local grounding requirements.

DANGER



Generator produces powerful voltage. Failure to isolate generator from power utility can result in death or injury to electric utility workers due to backfeed of electrical energy.

- When using generator for backup power, notify utility company. Use approved transfer equipment to isolate generator from electric utility.
- Use a ground fault circuit interrupter (GFCI) in any damp or highly conductive area, such as metal decking or steel work.
- DO NOT touch bare wires or receptacles.
- DO NOT use generator with electrical cords which are worn, frayed, bare, or otherwise damaged.
- DO NOT operate generator in the rain or other forms of precipitation.
- DO NOT handle generator or electrical cords while standing in water, while barefoot, or while hands or feet are wet.
- DO NOT allow unqualified persons or children to operate or service generator.

WARNING

- This generator does not meet U. S. Coast Guard Regulation 33CFR-183 and should not be used on marine applications.
- Failure to use the appropriate U. S. Coast Guard approved generator could result in bodily injury and/or property damage.

WARNING



Fuel and its vapors are extremely flammable explosive.



Fire or explosion can cause severe burns or death.

WHEN ADDING FUEL:

- Turn generator OFF and let it cool at least 2 minutes before removing gas cap. Loosen cap slowly to relieve pressure in tank.
- Fill fuel tank outdoors.
- DO NOT overfill tank. Allow space for fuel expansion.
- Keep fuel away from sparks, open flames, pilot lights, heat, and other ignition sources.
- DO NOT light a cigarette or smoke.

WHEN OPERATING EQUIPMENT:

- DO NOT tip engine or equipment at angle which causes fuel to spill.
- This generator is not for use in mobile equipment or marine applications.

WHEN TRANSPORTING OR REPAIRING EQUIPMENT:

- Transport/repair with fuel tank EMPTY or with fuel shutoff valve in the OFF position.
- Disconnect spark plug wire.

WHEN STORING FUEL OR EQUIPMENT WITH FUEL IN TANK:

- Store away from furnaces, stoves, water heaters, clothes dryers, or other appliances that have pilot light or other ignition source because they can ignite fuel vapors.

SAFETY RULES

WARNING



Unintentional sparking can result in fire or electric shock.

WHEN ADJUSTING OR MAKING REPAIRS TO YOUR GENERATOR

- Disconnect the spark plug wire from the spark plug and place the wire where it cannot contact spark plug.

WARNING



Running engines produce heat. Temperature of muffler and nearby areas can reach or exceed 150°F (65°C).

Severe burns can occur on contact.

- DO NOT touch hot surfaces.
- Allow equipment to cool before touching.

CAUTION

Excessively high operating speeds increase risk of injury and damage to generator.

Excessively low speeds impose a heavy load.

- DO NOT tamper with governed speed. Generator supplies correct rated frequency and voltage when running at governed speed.
- DO NOT modify generator in any way.

CAUTION

Exceeding generator's wattage/ampere capacity can damage generator and/or electrical devices connected to it.

- See "Don't Overload Generator" on page 17.
- Start generator and let engine stabilize before connecting electrical loads.
- Connect electrical loads in OFF position, then turn ON for operation.
- Turn electrical loads OFF and disconnect from generator before stopping generator.













CAUTION

Improper treatment of generator can damage it and shorten its life.

- Use generator only for intended uses.
- If you have questions about intended use, ask your dealer Or contact customer service at 1-800-849-1297
- Operate generator only on level surfaces.
- DO NOT expose generator to excessive moisture, dust, dirt, or corrosive vapors.
- DO NOT insert any objects through cooling slots.
- If connected devices overheat, turn them off and disconnect them from generator.
- Shut off generator if:
 - electrical output is lost;
 - equipment sparks, smokes, or emits flames;
 - unit vibrates excessively.




SYMBOLS

Some of the following symbols may be used on this generator. Please study them and learn their meaning. Proper interpretation of these symbols will allow you to operate the generator better and safer.

SYMBOL	NAME	DESIGNATION/EXPLANATION
V	Volts	Voltage
A	Amperes	Current
Hz	Hertz	Frequency (cycles per second)
W	Watt	Power
min	Minutes	Time
~	Alternating Current	Type of current
≡	Direct Current	Type of current
n_0	No Load Speed	Rotational speed, at no load
	Wet Conditions Alert	Do not expose to rain or use in damp locations.
	Read The Operator's Manual	To reduce the risk of injury, user must read and understand operator's manual before using this product.
	Eye Protection	Always wear safety goggles or safety glasses with side shields and a full face shield when operating this product.
	Safety Alert	Precautions that involve your safety.
	Electrocution	Failure to properly ground generator can result in electrocution especially if the generator is equipped with a wheel kit.
	Electrical Shock	Generator produces powerful voltage. Failure to isolate generator from power utility can result in death or injury to electrical utility workers due to backfeed of electrical energy.
	Electrical Shock	Unintentional sparking can result in electric shock.
	Toxic Fumes	Running generator gives off carbon monoxide, an odorless colorless, poison gas. Breathing carbon monoxide can cause nausea, fainting, or death.
	Fire	Fuel and its vapors are extremely flammable. Fire can cause severe burns or death.
	Explosion	Fuel and its vapors are extremely explosive. Explosions can cause severe burns or death.
	Hot Surface	To reduce the risk of injury or damage, avoid contact with any hot surface.
	Ground	Consult with local electrician to determine grounding requirements before operation.


SYMBOLS

The following signal words and meanings are intended to explain the levels of risk associated with this product.


SYMBOL	SIGNAL	MEANING
	DANGER:	Indicates an imminently hazardous situation which, if not avoided, will result in death or serious injury
	WARNING:	Indicates an imminently hazardous situation which, if not avoided, could result in death or serious injury
	CAUTION:	Indicates an imminently hazardous situation which, if not avoided, may result in minor or moderate injury
	CAUTION:	(Without Safety Alert Symbol) indicates a situation that may result in property damage

SERVICE


Servicing requires extreme care and knowledge and should be performed only by a qualified service technician. For service we suggest you return the product to your nearest **AUTHORIZED SERVICE DEALER** for repair. When servicing, use only identical replacement parts.


 **DANGER:**

To avoid death or serious personal injury, do not attempt to operate this product until you thoroughly read the owner's manual and understand it completely. Save this operator's manual and review frequently for continuing safe operation and instructing others who may use this product.

 **WARNING:**

Observe all normal safety precautions related to avoiding electrical shock.

 **WARNING:**



The operation of any product can result in foreign objects being thrown into your eyes, which can result in severe eye damage. Before beginning operation, always wear safety goggles or safety glasses with side shields and full face shield when needed. We recommend Wide Vision Safety Mask for use over eyeglasses or standard safety glasses with side shields. Always wear eye protection which is marked to comply with ANSI Z87.1.

SAVE THESE INSTRUCTIONS

SYMBOLS

SAFETY LABELS

The following labels are found on the generator. For your safety, please study and understand all of the labels before starting the generator.

If any of the labels come off the unit or become hard to read, contact an authorized service center for replacement.

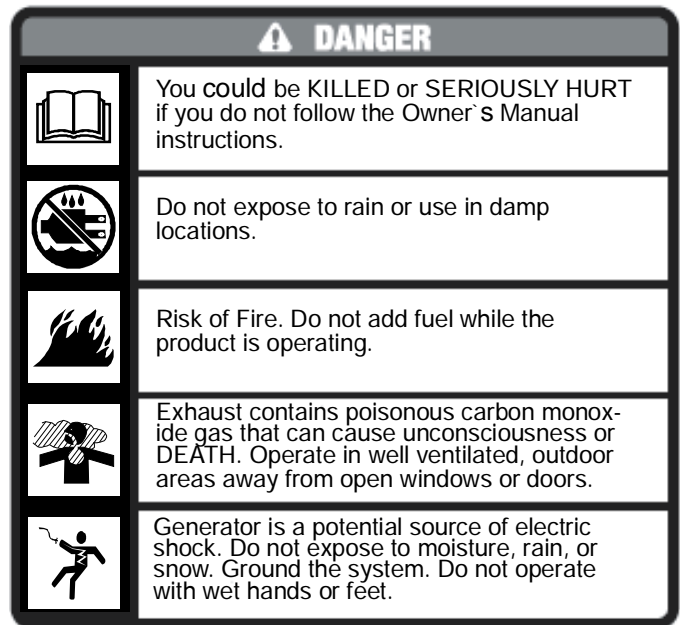
FUEL WARNING

DO NOT SMOKE when filling with gasoline. Do not over fill. Full level is 1 inch below the top of the fuel neck. Stop the engine two minutes before refueling to avoid the heat from the muffler igniting fuel vapors.



ENGINE OIL WARNING

You must add oil before the first operation of the generator. The oil reservoir capacity is 1.2 quarts. Always check the oil level before each operation. The oil level should always register on the dipstick.



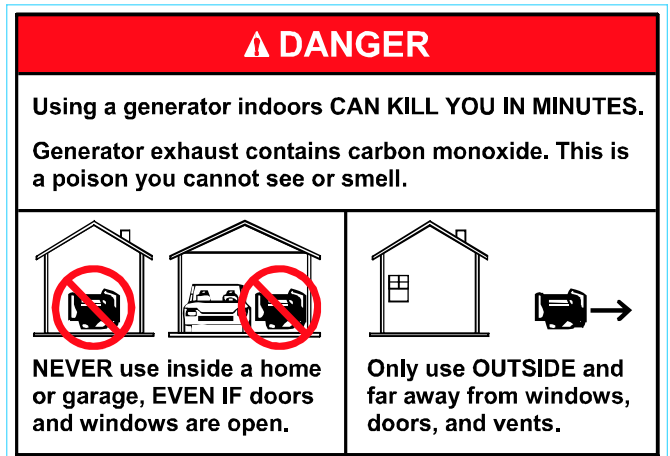
HOT MUFFLER WARNING

Do not touch the muffler or aluminum cylinder of the engine. They are very HOT and will cause severe burns. Don't put any flammable or combustible materials in the direct path of the exhaust.



VENTILATION WARNING

Do not use the generator in an enclosed area or near open windows, vents, or doors. Fumes from the unit can kill.



FEATURES

SPECIFICATIONS

GENERATOR	PP4300	PP6600	PP6600E	PP7600E
AC OUTPUT:				
Frequency (Hertz)	60 Hz	60 Hz	60 Hz	60 Hz
Voltage	120 / 240 Volts	120 / 240 Volts	120 / 240 Volts	120 / 240 Volts
Rated Power	4300 Watts	6600 Watts	6600 Watts	7600 Watts
ENGINE				
Engine Type	Single Cylinder, Forced Air Cooling, 4-Stroke			
Engine Speed (RPM)	3600	3600	3600	3600
Fuel	Gasoline	Gasoline	Gasoline	Gasoline
Engine Oil Capacity	1L	1L	1L	1L
Spark Plug Type	F7TC	F7TC	F7TC	F7TC
Spark Plug Gap	0.7 mm	0.7 mm	0.7 mm	0.7 mm
Engine Valve Lash (Intake / Exhaust)	0.0039 /0.006 inches (0.10/ 0.15 mm)	0.0039 /0.006 inches (0.10/ 0.15 mm)	0.0039 /0.006 inches (0.10/ 0.15 mm)	0.0039 /0.006 inches (0.10 / 0.15 mm)
Ignition Timing (fixed)	20° BTDC	20° BTDC	20° BTDC	20° BTDC
Starting System	Recoil	Recoil	Recoil/ Eletricity	Recoil/ Eletricity
Displacement	270cc	389 cc	389 cc	420cc
GENERATOR SET				
Dry Weight	75 kg	80 kg	86 kg	93 kg
Dimensions:				
Length	675	675	675	675
Width	545	545	545	545
Height	540	540	540	540
Fuel Tank Capacity	25L	25L	25L	25L

FEATURES

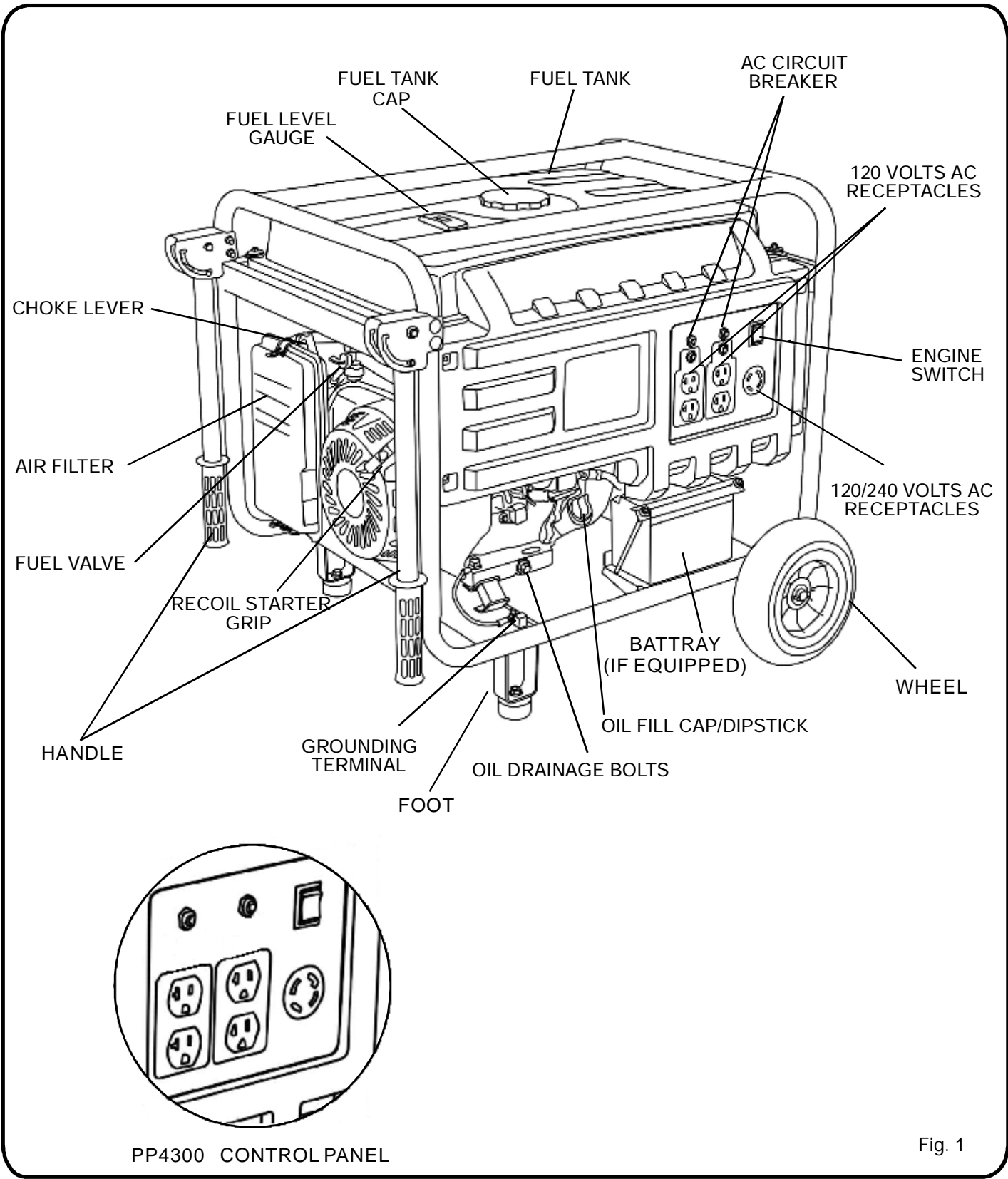


Fig. 1

FEATURES

KNOW YOUR GENERATOR

See Fig. 1

Before attempting to use this product, familiarize yourself with all operating features and safety rules.

GROUNDING TERMINAL

The grounding terminal is used to assist in properly grounding the generator to help protect against electrical shock. Consult with a local electrician for grounding requirements in your area.

RECEPTACLES

Your generator has the following single phase, 60 Hz outlets: four 120 Volt AC, 20 Amp, and one 120 Volt/240 Volt AC, 30 Amp. The receptacles can be used for operating appropriate appliances, electrical lighting, tools, and motor loads.

AC CIRCUIT BREAKER

The circuit breaker is provided to protect the generator against electrical overload and can be used to turn the generator **掙** power on or off.

ENGINE SWITCH

The engine switch is used in combination with the recoil starter grip to start the generator. It is also used to turn the generator off.

OIL FILL CAP/DIPSTICK

Remove the oil cap to check and add oil to the generator when necessary.

RECOIL STARTER GRIP

The recoil starter grip is used (along with the engine switch) to start the generator **掙** engine.

FUEL VALVE

The flow of fuel through the generator is controlled by the position of the fuel valve.

AIR FILTER

The air filter helps to limit the amount of dirt and dust drawn into the unit during operation.

CHOKE LEVER

Use the choke lever for starting a cold engine.

OIL DRAINAGE BOLT

When changing the engine oil, the oil drainage bolt is loosened to allow old engine oil to be drained.

FUEL LEVEL GAUGE

Consult the fuel level gauge to determine the amount of fuel remaining in the generator.

FUEL TANK

The fuel tank has a capacity of 6.6 gallons.

ASSEMBLY

UNASSEMBLED PARTS

The following assembly hardware items are included with the generator. See Fig. 2

- Wheel Assembly1
- Handle Assembly.....1
- Foot Assembly.....1

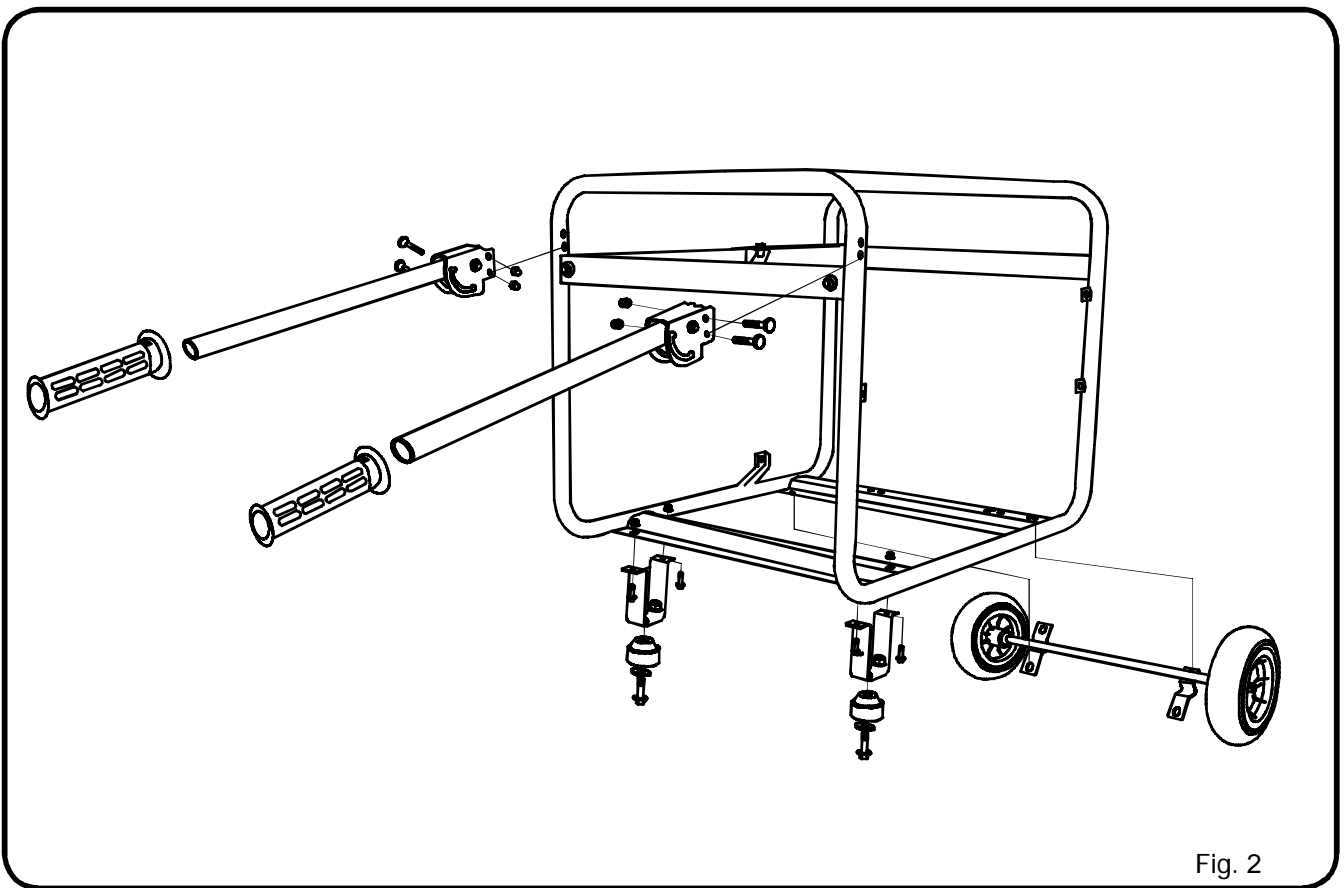


Fig. 2

ASSEMBLY

INSTRUCTIONS

This product requires assembly.

- Carefully remove the generator and any accessories from the box.

NOTE: The generator is heavy. To avoid back injury, lift with your legs, not your back, and get help when needed.

- Make sure that all items listed in the unassembled parts list are included.
- *Inspect the generator carefully to make sure no breakage or damage occurred during shipping.*
- Do not discard the packing material until you have carefully inspected and satisfactorily operated the generator.
- If any parts are damaged or missing, please call 1-800-849-1297 for assistance.

PACKING LIST

Generator
Wheel Assembly
Handle Assembly
Foot Assembly
Container of Oil
Warranty Card
Owner's Manual

INSTALLING HANDLE ASSEMBLY

See Fig. 3

- *Locate the following items:*

Handle

Left and right handle brackets

4 bolts

4 nuts

Assemble the bracket on the frame with bolts and nuts



WARNING:

Do not attempt to lift the unit by the handle assembly. If it is necessary to lift the generator, always grasp by the frame. Use proper lifting techniques to avoid back injury.

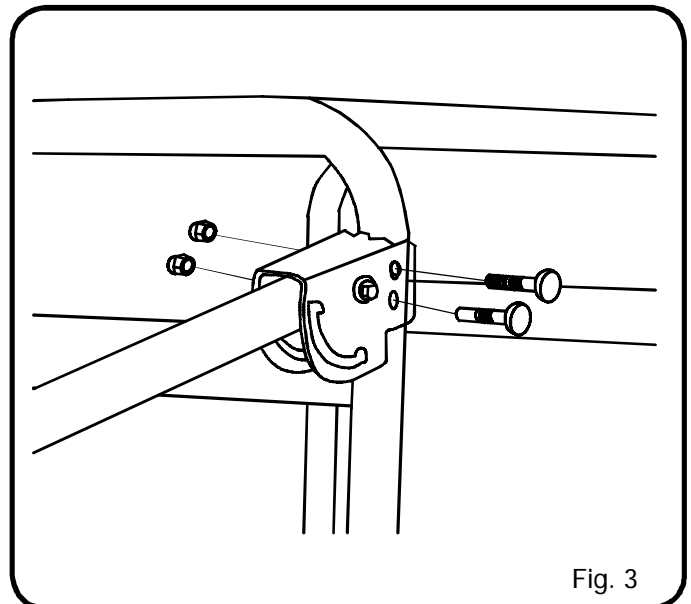


Fig. 3



WARNING:

If any parts are missing, do not operate this generator until the missing parts are replaced. Failure to do so could result in possible serious personal injury.



WARNING:

Do not attempt to modify this generator or create accessories not recommended for use with this generator. Any such alteration or modification is misuse and could result in a hazardous condition leading to possible serious personal injury.



WARNING:

Do not attempt to operate the generator until assembly is complete. Failure to comply could result in possible

ASSEMBLY

INSTALLING WHEEL ASSEMBLY

See Fig. 4.

- Locate the following items:
 - 2 wheels
 - 2 flat washers
 - 2 pins
 - 4 bolts
 - 4 nuts
- Slide wheel over axle extension.
- Slide flat washer on axle extension.
- Install hex nut on axle extension and tighten to secure.
- Repeat for second wheel.

NOTE: Block up frame securely with wood blocks to provide clearance for frame bolts & wheel assembly.

- Slide square curved washer, curved side down, on bolt.
- Place on frame and slide bolt through frame hole.
- Repeat for second bolt.
- Lift axle and align hole with installed frame bolts.
- Install nuts on 2 bolts and tighten to secure

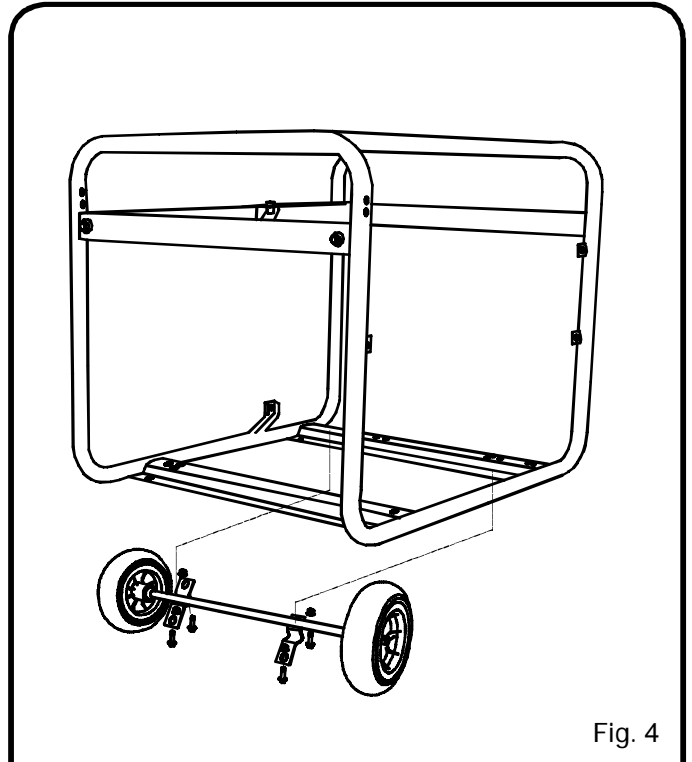


Fig. 4

INSTALLING FOOT ASSEMBLY

See Figure 5.

- Locate the following items:
 - 2 foot supports
 - 6 bolts
 - 6 nuts
 - 2 flat washers
 - 2 colloid

NOTE: Block up frame securely with wood blocks to provide clearance for foot support assembly.

- Align foot support with 2 holes in frame cross member.
- Insert 2 bolts into welded nuts on foot support.
- Tighten bolts to secure
- Repeat for second foot.

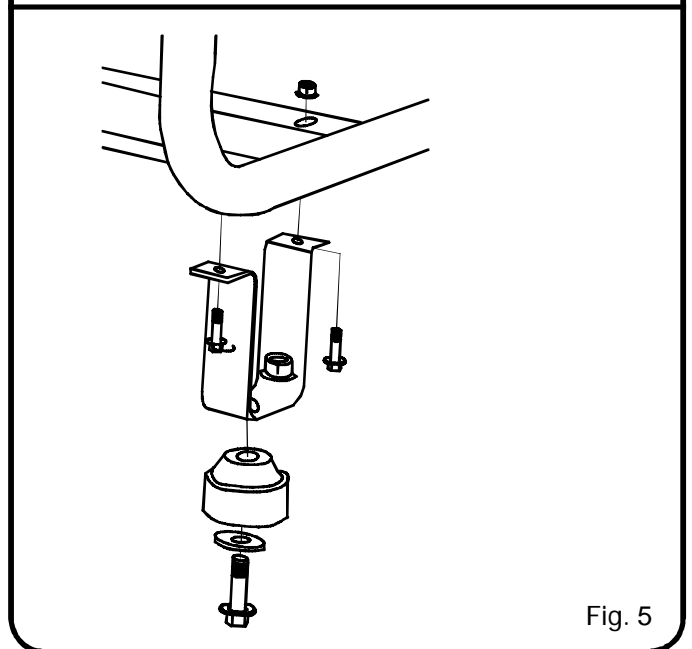


Fig. 5

OPERATION

GROUNDING THE GENERATOR

The National Electrical Code requires that the frame and external electrically conductive parts of this generator be properly connected to an approved earth ground. Local electrical codes may also require proper grounding of the unit. For that purpose, a GROUNDING FASTENER is provided on the generator end (Figure 6).

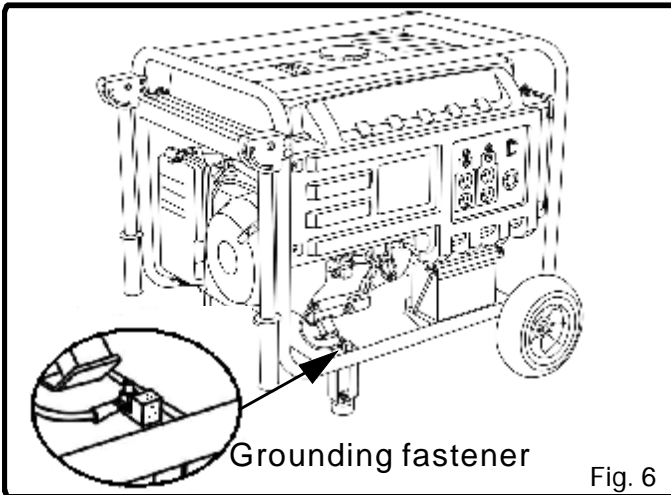


Fig. 6

Generally, connecting a No. 12 AWG (American Wire Gauge) stranded copper wire to the grounding fastener and to an earth-driven copper or brass grounding rod (electrode) provides adequate protection against electrical shock. Be careful to keep the grounding wire attached after connecting the stranded copper wire. However, local codes may vary widely.



WARNING:

Consult with a local electrician for grounding requirements in your area.

Properly grounding the generator helps prevent electrical shock if a ground fault condition exists in the generator or in connected electrical devices, especially when the unit is equipped with a wheel kit. Proper grounding also helps dissipate static electricity, which often builds up in ungrounded devices.

OPERATION



DANGER:

Failure to properly ground generator can result in electrocution, especially if the generator is equipped with a wheel kit. National Electric Code requires generator to be properly grounded to an approved earth ground. Call an electrician for local grounding requirements.



WARNING:

Do not use any attachments or accessories not recommended by the manufacturer of this generator. The use of attachments or accessories not recommended can result in serious personal injury.

APPLICATIONS

This generator is designed to supply electrical power for operating compatible electrical lighting, appliances, tools, and motor loads.

BEFORE OPERATING THE UNIT

Position the generator on a flat surface before checking fluid levels or adding fluid.

CAUTION:

Attempting to start the engine before it has been properly filled with oil will result in equipment failure.

CHECKING/ADDING OIL

See Figure 7.

Engine oil has a major influence on engine performance and service life. For general, all-temperature use, SAE 10W-30 is recommended. Always use a 4-stroke motor oil that meets or exceeds the requirements for API service classification SJ.

NOTE: Non-detergent or 2-stroke engine oils will damage the engine and should not be used.

- Unscrew the oil dipstick and remove.
- Wipe dipstick clean and reseat in hole. Do not rethread.
- Remove dipstick again and check oil level. Oil level should fall within the hatched area on the dipstick.
- If level is low, add engine oil until the fluid level rises to the upper portion of the hatched area on the dipstick.
- Replace and secure the dipstick.

CHECKING/ADDING FUEL

See Figure 8.

- Check the fuel level gauge. If fuel is needed, continue with the next step.
- Remove the fuel tank cap.

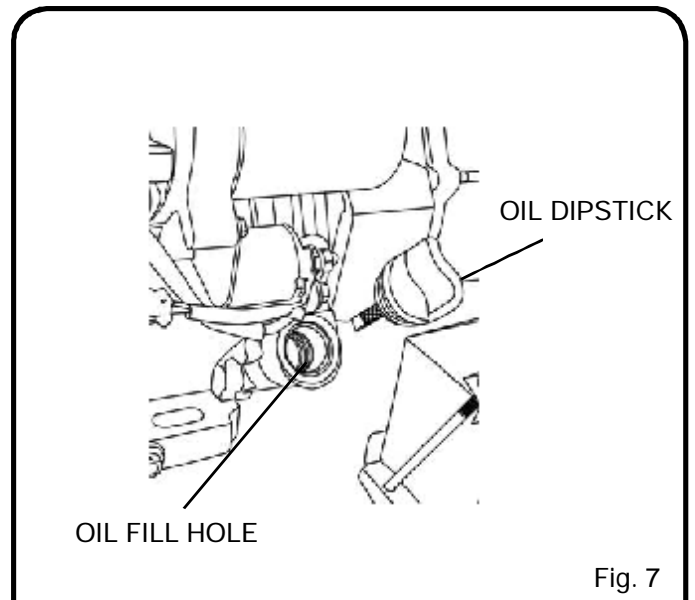


Fig. 7

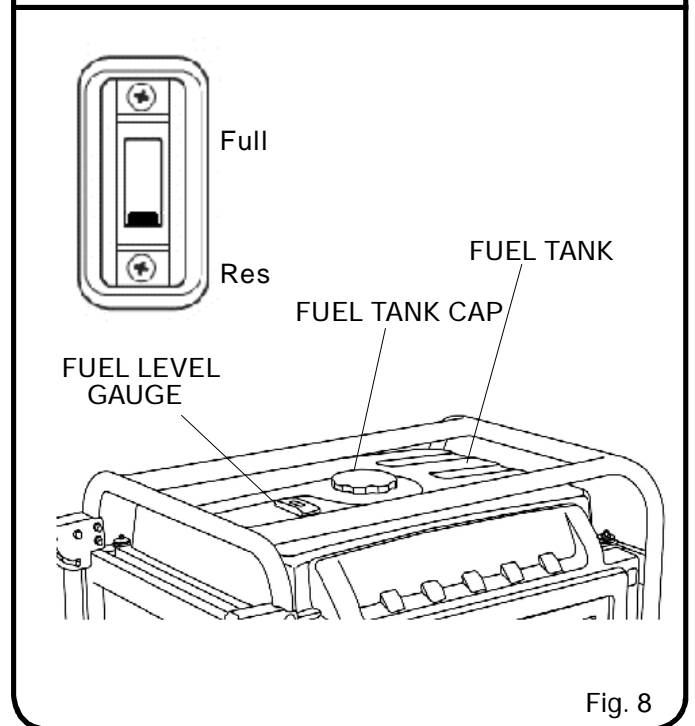


Fig. 8

NOTE: Always use unleaded gasoline with a pump octane rating of 86 or higher. Never use old, stale, or contaminated gasoline, and do not use an oil/gas mixture. Do not allow dirt or water to enter the fuel tank.

OXYGENATED FUELS

Some conventional gasolines are blended with alcohol or an ether compound. These gasolines are collectively referred to as oxygenated fuels. To meet clean air standards, some

OPERATION

If using an oxygenated fuel, make sure it is unleaded and meets the minimum octane rating requirements. Before using an oxygenated fuel, try to confirm the fuel contents. Some states/provinces require this information to be posted on the pump. The following are the EPA approved percentages of oxygenates:

Ethanol (ethyl or grain alcohol) 10% by volume. You may use gasoline containing up to 10% ethanol by volume. Gasoline containing ethanol may be marketed under the name "Gasohol".

MTBE (methyl tertiary butyl ether) 15% by volume. You may use gasoline containing up to 15% MTBE by volume.

Methanol (methyl or wood alcohol) 5% by volume. You may use gasoline containing up to 5% methanol by volume as long as it also contains cosolvents and corrosion inhibitors to protect the fuel system. Gasoline containing more than 5% methanol by volume may cause starting and/or performance problems. It may also damage metal, rubber, and plastic parts of the generator or your fuel system.

If you notice any undesirable operating symptoms, try another service station or switch to another brand of gasoline.

NOTE: Fuel system damage or performance problems resulting from the use of an oxygenated fuel containing more than the percentages of oxygenates mentioned above are not covered under warranty.



WARNING:

On a level surface with the engine off, check the oil level before each use of the generator.

STARTING THE ENGINE

See Figures 9 - 11.

NOTE: If location of generator is not level, the unit may not start or may shut down during operation.

- Unplug all loads from the generator.
- Switch the circuit breaker to the ON position.
- Turn the fuel valve to the ON position.
- Move the choke lever to Left(closed) position.

NOTE: When starting a warm engine, leave the choke in the Right (open) position.

- Put the engine switch in the ON position.
- Pull the recoil starting grip lightly until you feel a resistance, then pull it briskly.

NOTE: Do not allow the grip to snap back after starting; return it gently to its original place.

- As the engine warms, slowly move the choke lever to the Left(closed).

STOPPING THE ENGINE

See Figures 9 - 11

To stop the engine under normal operating conditions:

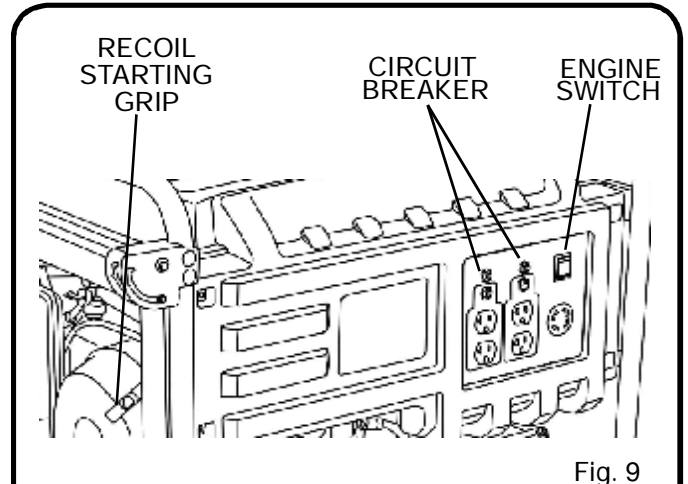


Fig. 9

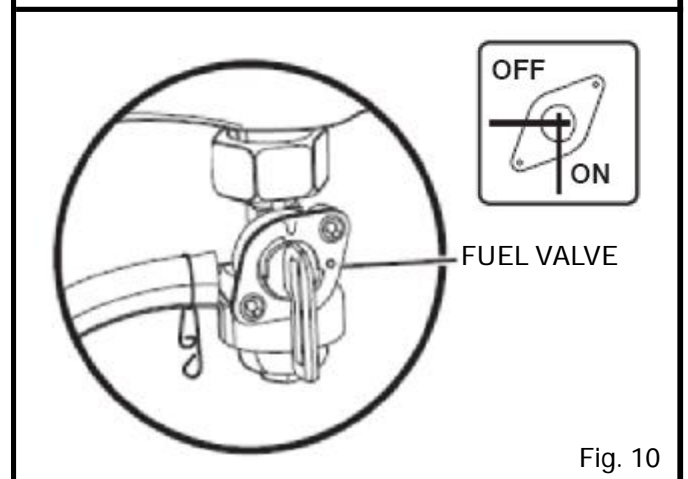


Fig. 10

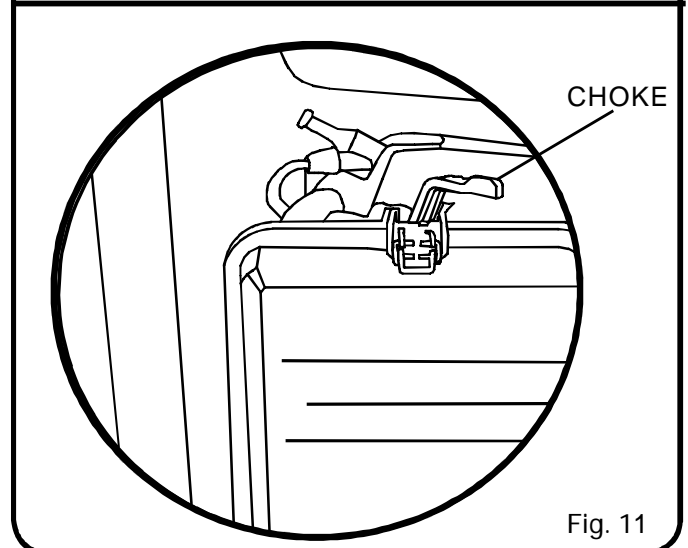


Fig. 11

- Remove any load from the generator.
- Put the engine switch in the OFF position.
- Turn the fuel valve to the OFF position.

To stop the engine in an emergency situation:

- Put the engine switch in the OFF position.

ELECTRICAL

DON'T OVERLOAD GENERATOR

CAPACITY

Make sure the generator can supply enough rated (running) and surge (starting) watts for the items you will power at the same time. Follow these simple steps:

1. Select the items you will power at the same time.
2. Total the rated (running) watts of these items. This is the amount of power the generator must produce to keep the items running. See the wattage reference chart at the right.
3. Estimate how many surge (starting) watts you will need. Surge wattage is the short burst of power needed to start electric motor-driven tools or appliances such as a circular saw or refrigerator. Because not all motors start at the same time, total surge watts can be estimated by adding only the item(s) with the highest additional surge watts to the total rated watts from step 2.

Example:

Tool or Appliance	Rated (Running) Watts	Surge (Starting) Watts
Window Air Conditioner	1200	1800
Refrigerator	800	1600
Deep Freezer	500	500
Television	500	—
Light (75 Watts)	75	—
	3075 Total Running Watts	1800 Highest Surge Watts

		Maximum Allowed
Total Rated (Running Watts)	= 3075	5800
Highest Additional Surge Watts	= 1800	
Total Generator Output Required	= 4875	6200

POWER MANAGEMENT

To prolong the life of the generator and attached devices, it is important to take care when adding electrical loads to the generator. There should be nothing connected to the generator outlets before starting the engine. The correct and safe way to manage generator power is to sequentially add loads as follows:

1. With nothing connected to the generator, start the engine as described earlier in this manual.
2. Plug in and turn on the first load, preferably the largest load you have.
3. Permit the generator output to stabilize. (engine runs smoothly and attached device operates properly.)
4. Plug in and turn on the next load.
5. Again, permit the generator to stabilize.
6. Repeat steps 4 and 5 for each additional load.

Never add more loads than the generator capacity. Take special care to consider surge loads in generator capacity as previously described.



WARNING:

Do not overload generator's capacity. Exceeding generator's wattage/amperage capacity can damage generator and/or electrical devices connected to it.

Tool or Appliance	Rated* (Running) Watts	Additional Surge (Starting) Watts
Essentials		
Light Bulb-75 Watt	75	—
Deep Freezer	500	500
Sump Pump	800	1200
Refrigerator/Freezer - 18 Cu. Ft.	800	1600
Water Well Pump - 1/3 HP	100	2000
Heating/Cooling		
Window AC - 10,000 BTU	1200	1800
Window Fan	300	600
Furnace Fan Blower - 1/2 HP	800	1300
Kitchen		
Microwave Oven - 1000 Watt	1000	—
Coffee Maker	1500	—
Electric Stove - Single Element	1500	—
Hot Plate	2500	—
Family Room		
DVD/CD Player	100	—
VCR	100	—
Stereo Receiver	450	—
Color Television - 27"	500	—
Personal Computer w/17" monitor	800	—
Other		
Security System	180	—
AM/FM Clock Radio	300	—
Garage Door Opener - 1/2 HP	480	520
Electric Water Heater - 40 Gal.	4000	—
DIY/Job Site		
Quartz Halogen Work Light	1000	—
Airless Sprayer - 1/3 HP	600	1200
Reciprocating Saw	960	960
Electric Drill - 1/2 HP	1000	1000
Circular Saw - 7-1/4"	1500	1500
Miter Saw - 10"	1800	1800
Planer/Joiner - 6"	1800	1800
Table Saw/Radial Arm Saw - 10"	200	2000
Air Compressor - 1-1/2 HP	2500	2500

*Wattages listed are approximate. Check tool or appliance for actual wattage.

MAINTENANCE



WARNING:

When servicing, use only identical Poulan Pro replacement parts. Use of any other parts may create a hazard or cause product damage.

Only the parts shown on the parts list are intended to be repaired or replaced by the customer. All other parts should be replaced at a Poulan Pro Authorized Service Center.

GENERAL MAINTENANCE

Keep the generator in a clean and dry environment where it is not exposed to dust, dirt, moisture, or corrosive vapors. Do not allow the cooling air slots in the generator to become clogged with foreign material such as leaves, snow, etc.

Do not use a garden hose to clean the generator. Water entering the fuel system or other internal parts of the unit can cause problems that will decrease the life of the generator.

To clean the unit:

- Use a soft bristle brush and/or vacuum cleaner to loosen and remove dirt and debris.
- Clean air vents with low pressure air that does not exceed 25 psi.
- Wipe the exterior surfaces of the generator with a damp cloth.

CLEANING/REPLACING AIR FILTERS

See Figure 12.

For proper performance and long life, keep air filters clean:

- Release the upper and lower retaining clips and remove the air filter cover.
- Remove the outer filter element and the inner precleaner element.
- If the filter elements are dirty, clean with warm, soapy water. Rinse and let dry.
- Apply a light coat of engine oil to the elements, then squeeze it out.
- Put the filter elements back together and replace in the air filter compartment, being careful to place the outer filter element closest to the air filter cover.
- Replace the cover and snap retaining clips back in place to secure.

NOTE: Do not run the generator without the air filters. Rapid engine wear will result.

CHANGING ENGINE OIL

See Figure 13

- Remove the oil dipstick.
- Place a container underneath the oil drainage bolt to collect used oil as it drains.
- Unscrew the oil drainage bolt and remove.
- Allow oil to drain completely.

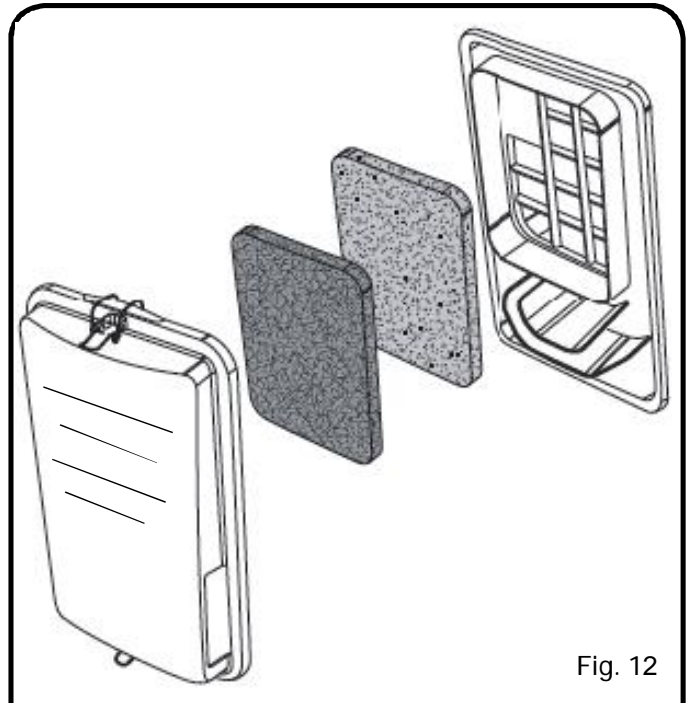


Fig. 12

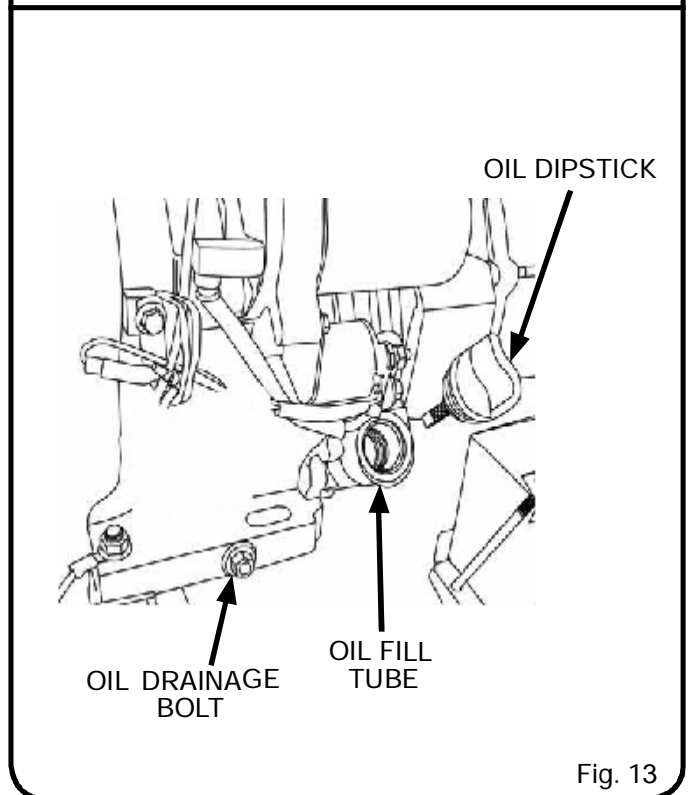


Fig. 13

- Reinstall the oil drainage bolt and tighten securely.
- Refill with oil following the instructions in the "Checking/Adding Oil" section on page 15.

MAINTENANCE

CLEANING FUEL SEDIMENT CUP

See Figure 14.

The sediment cup prevents dirt and water that may have gotten into the fuel tank from entering the carburetor. If the engine has not been run for a long time, the sediment cup should be cleaned before use.

- Turn the fuel valve to the off position.
- Remove the sediment cup using a 10 mm wrench.
- Remove the o-ring and filter.
- Clean each of the parts in a high flash-point solvent.
- Reinstall the filter, o-ring, and sediment cup. Tighten with 10 mm wrench to secure.
- Return the fuel valve to the ON position and check for leaks.

SPARK PLUG MAINTENANCE

See Figure 15.

The spark plug must be properly gapped and free of deposits in order to ensure proper engine operation.

To check the spark plug:

- Remove the spark plug cap.
- Clean any dirt from around the base of the spark plug.
- Remove the spark plug.
- Inspect the spark plug for damage, and clean with a wire brush before reinstalling. If the insulator is cracked or chipped, the spark plug should be replaced.

NOTE: If replacing, use the following recommended spark plugs or equivalent: NGK, FT7C.

- Measure the plug gap with a feeler gauge. The correct gap is .028 - .031 in. Correct, if necessary, by carefully bending the side electrode.
- Seat spark plug in position; thread in by hand to prevent cross-threading.
- Tighten with spark plug wrench to compress washer. If spark plug is new, use 1/2 turn to compress washer appropriate amount. If reusing old spark plug, use 1/8 to 1/4 turn for proper washer compression.

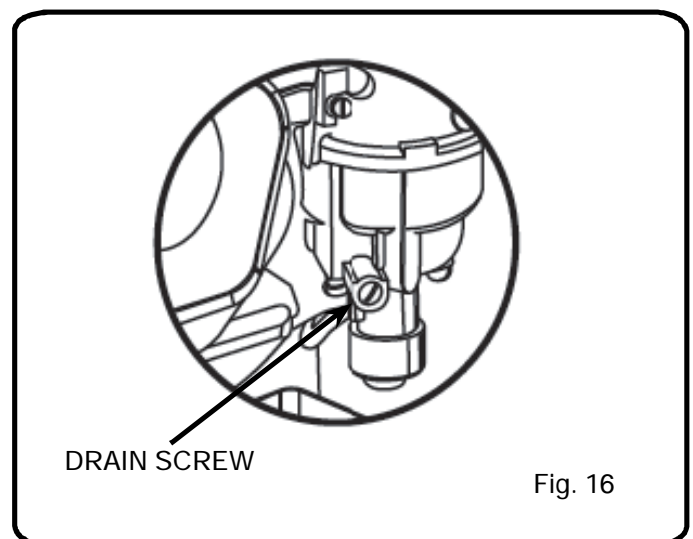
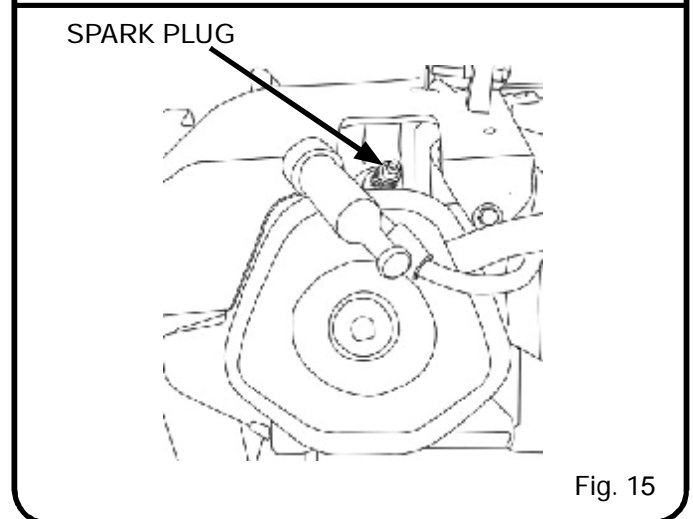
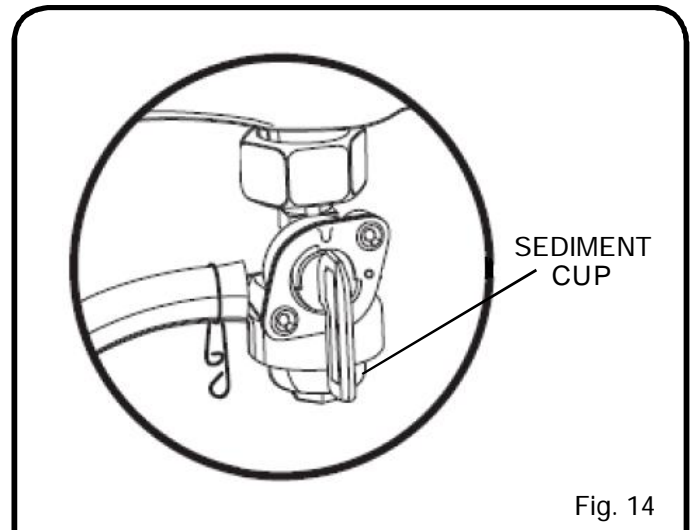
DRAINING CARBURETOR

See Figure 16.

- Loosen the carburetor drain screw.
- Allow gasoline to drain completely into suitable container.
- Retighten drain screw.

TRANSPORTING

- Turn the engine switch and fuel valve OFF.
- Make sure engine and exhaust system of unit is cool.
- Keep the unit level to prevent fuel spillage.
- Do not drop or strike the unit or place under heavy objects.



MAINTENANCE

MAINTENANCE SCHEDULE

SERVICE ITEMS	EACH USE	FIRST MONTH OR 20 HOURS	EVERY 3 MONTHS OR 50 HOURS	EVERY 6 MONTHS OR 100 HOURS	EVERY YEAR OR 300 HOURS
General Inspection	X ¹				
Check Oil Level	X				
Change Engine Oil		X		X	
Clean Air Cleaner			X ²		
Clean Cylinder Cooling Fins			X ²		
Clean Spark Plug				X	
Clean the Spark Arrestor				X	
Clean Fuel Sediment Cup					X ³
Clean Fuel Tank					X ³
Adjust Valve Clearance					X ³
Check fuel line	Every 2 years(Replace if necessary) ³				

STORAGE

STORAGE

When preparing the generator for storage, follow the guidelines below.

STORAGE TIME	PRIOR TO STORING
Less than 1 month	<ul style="list-style-type: none"> ▪ No special preparation is required.
1 to 2 months	<ul style="list-style-type: none"> ▪ Fill with fresh gasoline and add a gasoline conditioner*.
2 months to 1 year	<ul style="list-style-type: none"> ▪ Fill with fresh gasoline and add a gasoline conditioner*. ▪ Drain fuel from carburetor. ▪ Clean fuel sediment cup.
1 year or more	<ul style="list-style-type: none"> ▪ Drain fuel tank. ▪ Drain fuel from the carburetor. ▪ Clean fuel sediment cup. ▪ Remove spark plug. ▪ Put a tablespoon of engine oil into the spark plug cylinder. Turn the engine slowly with the pull rope to distribute the oil. ▪ Reinstall spark plug. ▪ Change engine oil. <p>After removal from storage:</p> <ul style="list-style-type: none"> ▪ Fill with fresh gasoline.

*Use gasoline conditioners formulated to extend storage life. For recommendations, contact your nearest authorized service center.

TROUBLESHOOTING

PROBLEM	POSSIBLE CAUSE	SOLUTION
Engine will not start	Engine switch is OFF	Turn engine switch to ON.
	No fuel	Fill fuel tank.
	Oil level is low	Check engine oil level and fill, if necessary
	Check spark plug condition	Replace spark plug.
	Fuel is not reaching carburetor	Clean fuel sediment cup.
	Fuel valve is in OFF position	Move fuel valve to ON position
AC receptacle does not work	Circuit breaker is OFF	Turn ON the AC circuit breaker.
	Item plugged in is defective	Try a different item.
Generator makes a "park knock" or "Pinging" noise	An occasional light "nocking" or "Pinging" under heavy load is not a cause for concern. However, if the knocking or pinging occurs under normal load at a steady engine speed, the problem may be with the brand of gasoline being used.	Switch to a different brand of gasoline, making sure that the octane rating is 86 or higher. If problem continues, contact your nearest authorized service center.
If problem persists after trying the above solutions, please call 1-800-849-1297 for your nearest authorized service center.		

WARRANTY

I. FEDERAL EMISSION CONTROL WARRANTY STATEMENT

YOUR WARRANTY RIGHTS AND OBLIGATIONS

The United States Environmental Protection Agency (EPA), together with Husqvarna Consumer Outdoor Products NA, Inc., are pleased to explain the emission control system warranty on your new model year small off-road engines. In the United States (except California), new small off-road engines must be designed, built and equipped to meet the Federal's stringent anti-smog standards. Husqvarna Consumer Outdoor Products NA, Inc. must warrant the emission control system on your small off-road engine for the periods of time listed below provided there has been no abuse, neglect or improper maintenance of your small off-road engine. Your emission control system may include parts such as the carburetor or fuel injection system, the ignition system, and catalytic converter. Also included may be hoses, belts, connectors and other emission related assemblies. Where a warrantable condition exists, Husqvarna Consumer Outdoor Products NA, Inc. will repair your small off-road engine at no cost to you including diagnosis, parts and labor.

MANUFACTURER'S WARRANTY COVERAGE:

The 2009 and later small off-road engines are warranted for two years. If any emission related part on your engine is defective, the part will be repaired or replaced by Husqvarna Consumer Outdoor Products NA, Inc.

OPERATOR'S WARRANTY RESPONSIBILITIES:

As the small off-road engine owner, you are responsible for the performance of the required maintenance listed in your operator's manual. Husqvarna Consumer Outdoor Products NA, Inc. recommends that you retain all receipts covering maintenance on your small off-road engine, but Husqvarna Consumer Outdoor Products NA, Inc. cannot deny warranty solely for the lack of receipts or for your failure to ensure the performance of all scheduled maintenance.

As the small off-road engine owner, you should however be aware that Husqvarna Consumer Outdoor Products NA, Inc. may deny you warranty coverage if your small off-road engine or a part has failed due to abuse, neglect, improper maintenance or unapproved modifications.

You are responsible for presenting your small off-road engine to a Husqvarna Consumer Outdoor Products NA, Inc. distribution center as soon as a problem exists. The warranty repairs should be completed in a reasonable amount of time, not to exceed 30 days.

If you have any questions regarding your warranty rights and responsibilities, you should contact Husqvarna Consumer Outdoor Products NA, Inc. at 1-800-849-1297

IMPORTANT NOTE: This warranty statement explains your rights and obligations under the Emission Control System Warranty (ECS Warranty), which is provided to you by Husqvarna Consumer Outdoor Products NA, Inc. pursuant to EPA and federal law. See also the Husqvarna Consumer Outdoor Products NA, Inc. Limited Warranties for additional product warranties, also provided to you by Husqvarna Consumer Outdoor Products NA, Inc. The ECS Warranty applies only to the emission control system of your new engine. If there is any conflict in terms between the ECS Warranty and the Husqvarna Consumer Outdoor Products NA, Inc. Warranty, the ECS Warranty shall apply except in circumstances where the Husqvarna Consumer Outdoor Products NA, Inc. Warranty may provide a longer warranty period. Both the ECS Warranty and the Husqvarna Consumer Outdoor Products NA, Inc. Warranty describes important rights and obligations with respect to your new engine.

Warranty service can be performed only by a Husqvarna Consumer Outdoor Products NA, Inc. Authorized Warranty Service Facility. When requesting warranty service, evidence must be presented showing the date of the sale to the original purchaser/owner. The purchaser/owner shall be responsible for any expenses or other charges incurred for service calls and/or transportation of the product to/from the inspection or repair facilities. The purchaser/owner shall also be responsible for any and/or all damages or losses incurred while the engine is being transported/shipped for inspection or warranty repairs.

WARRANTY

II. EMISSION CONTROL SYSTEM WARRANTY

Emission Control System Warranty (ECS Warranty) for 2009 and later model engines:

(a) Applicability: This warranty shall apply to 2009 and later model year engines. The ECS Warranty Period shall begin on the date the new engine or equipment is purchased by/delivered to its original, end-use purchaser/owner and shall continue for 24 consecutive months thereafter.

(b) General Emissions Warranty Coverage: Husqvarna Consumer Outdoor Products NA, Inc. warrants to the original, end-use purchaser/owner of the new engine or equipment and to each subsequent purchaser/owner that each of its engines is...

(1) Designed, built and equipped so as to conform with all applicable regulations adopted by the EPA pursuant to their respective authority, and

(2) Free from defects in materials and workmanship, which, at any time during the ECS Warranty Period, may cause a warranted emissions-related part to fail to be identical in all material respects to the part as described in the engine manufacturer's application for certification.

The ECS Warranty only pertains to emissions-related parts on your engine, as follows:

(1) Any warranted, emissions-related parts that are not scheduled for replacement as required maintenance in the Operator's Manual must be warranted for the ECS Warranty Period. If any such part fails during the ECS Warranty Period, it shall be repaired or replaced by Husqvarna Consumer Outdoor Products NA, Inc. according to Subsection (4) below. Any such part repaired or replaced under the ECS Warranty shall be warranted for the remainder of the ECS Warranty Period.

(2) Any warranted emissions-related part that is scheduled only for regular inspection as specified in the Operator's Manual must be warranted for the ECS Warranty Period. A statement in such written instructions to the effect of "repair or replace as necessary" shall not reduce the ECS Warranty Period. Any such part repaired or replaced under the ECS Warranty shall be warranted for the remainder of the ECS Warranty Period.

(3) Any warranted emissions-related part that is scheduled for replacement as required maintenance in the Operator's Manual shall be warranted for the period of time prior to the first scheduled replacement point for that part. If the part fails prior to the first scheduled replacement, the part shall be repaired or replaced by Husqvarna Consumer Outdoor Products NA, Inc. according to Subsection (4) below. Any such emissions-related part repaired or replaced under the ECS Warranty shall be warranted for the remainder of the ECS Warranty Period prior to the first scheduled replacement point for such emissions-related part.

(4) Repair or replacement of any warranted, emissions-related part under this ECS Warranty shall be performed at no charge to the owner at a Husqvarna Consumer Outdoor Products NA, Inc. Authorized Warranty Service Facility.

(5) When the engine is inspected by a Husqvarna Consumer Outdoor Products NA, Inc. Authorized Warranty Service Facility, the owner shall not be held responsible for diagnostic costs if the repair is deemed warrantable.

(6) Husqvarna Consumer Outdoor Products NA, Inc. shall be liable for damages to other original engine components or approved modifications proximately caused by a failure under warranty of any emission-related part covered by the ECS Warranty.

(7) Throughout the ECS Warranty Period, Husqvarna Consumer Outdoor Products NA, Inc. shall maintain a supply of warranted emission-related parts sufficient to meet the expected demand for such emission-related parts.

(8) Any Husqvarna Consumer Outdoor Products NA, Inc. authorized and approved emission-related replacement part may be used in the performance of any ECS Warranty maintenance or repairs and will be provided without charge to the purchaser/owner. Such use shall not reduce Husqvarna Consumer Outdoor Products NA, Inc. 's ECS Warranty obligations.

(9) Unapproved, add-on, modified, counterfeit and/or "grey market" parts may not be used to modify or repair a

WARRANTY

Husqvarna Consumer Outdoor Products NA, Inc. engine. Such use voids this ECS Warranty and shall be sufficient grounds for disallowing an ECS Warranty claim. Husqvarna Consumer Outdoor Products NA, Inc. shall not be held liable hereunder for failures of any warranted parts of a Husqvarna Consumer Outdoor Products NA, Inc. engine caused by the use of such an unapproved, add-on, modified, counterfeit and/or "grey market" part.

EMISSION RELATED PARTS INCLUDE THE FOLLOWING: (New Phase III language inserted, but may not be necessary to use.)

I. For exhaust emissions, emission-related components include any engine parts related to the following systems:

1. Air-induction system.
2. Fuel system.
3. Ignition system.
4. Exhaust gas recirculation systems.

II. The following parts are also considered emission-related components for exhaust emissions:

1. Aftertreatment devices.
2. Crankcase ventilation valves.
3. Sensors.
4. Electronic control units.

III. The following parts are considered emission-related components for evaporative emissions:

1. Fuel Tank.
2. Fuel Cap.
3. Fuel Line.
4. Fuel Line Fittings.
5. Clamps*.
6. Pressure Relief Valves*.
7. Control Valves*.
8. Control Solenoids*.
9. Electronic Controls*.
10. Vacuum Control Diaphragms*.
11. Control Cables*.
12. Control Linkages*.
13. Purge Valves.
14. Vapor Hoses.
15. Liquid/Vapor Separator.
16. Carbon Canister.
17. Canister Mounting Brackets.
18. Carburetor Purge Port Connector.

*As related to the evaporative emission control system.

IV. Emission-related components also include any other part whose only purpose is to reduce emissions or whose failure will increase emissions without significantly degrading engine/equipment performance.

WARRANTY

EMISSIONS MAINTENANCE SCHEDULE AND WARRANTED PARTS LIST

Emissions Parts	Inspect Before Each Use	Clean Every 5 Hours	Replace Every 25 Hours or Yearly	Clean Every 25 Hours or Yearly
AIR FILTER ASSY				
INCLUDES:				
FILTER.....		X	X	
SPARK SCREEN.....				X
CARBURETOR ASSY				
INCLUDES:				
HEAT DAM				
GASKETS				
FUEL TANK ASSY				
INCLUDES:				
FUEL LINES.....				X
FUEL CAP.....				X
FUEL FILTER				
IGNITION ASSY				
INCLUDES				
SPARK PLUG.....				X
ALL EMISSIONS-ELATED PARTS ARE WARRANTED FOR TWO YEARS, OR FOR THE PERIOD OF TIME PRIOR TO PART'S FIRST SCHEDULED REPLACEMENT-HICHEVER COMES FIRST.				

LIMITED WARRANTY

HOP (The "Manufacturer") warrants to the original consumer purchaser that this product as manufactured is free from defects in materials and workmanship. For a period of two (2) years from date of purchase by the original consumer purchaser, we will repair or replace, at our option, without charge for parts or labor incurred in replacing parts, any part which we find to be defective due to materials or workmanship. This Warranty is subject to the following limitations and exclusions.

1. Transportation charges for the movement of any power equipment unit or attachment are the responsibility of the purchaser. Transportation charges for any parts submitted for replacement under this warranty must be paid by the purchaser unless such return is requested by the manufacturer.
2. The Warranty period for any products used for rental or commercial purposes is limited to 90 days from the date of original purchase.
3. This Warranty applies only to products which have been properly assembled, adjusted, operated, and maintained in accordance with the instructions furnished. This Warranty does not apply to any product which has been subjected to alteration, misuse, abuse, improper assembly or installation, delivery damage, or to normal wear of the product.
4. Exclusions: Excluded from this Warranty are normal wear, normal adjustments, standard hardware and normal maintenance.
5. In the event you have a claim under this Warranty, you must return the product to an authorized service dealer.

Should you have any unanswered questions concerning this Warranty, please contact:

Poulan Pro
HOP Customer Service Dept.
1030 Stevens Creek Road
Augusta, GA 30907 USA
1-800-849-1297

giving the model number, serial number and date of purchase of your product and the name and address of the authorized dealer from whom it was purchased.

THIS WARRANTY DOES NOT APPLY TO INCIDENTAL OR CONSEQUENTIAL DAMAGES AND ANY IMPLIED WARRANTIES ARE LIMITED TO THE SAME TIME PERIODS STATED HEREIN FOR OUR EXPRESSED WARRANTIES. Some areas do not allow the limitation of consequential damages or limitations of how long an implied Warranty may last, so the above limitations or exclusions may not apply to you. This Warranty gives you specific legal rights, and you may have other rights which vary from locale to locale.

This is a limited Warranty within the meaning of that term as defined in the Magnuson-Moss Act of 1975.

SERVICE NOTES

- **SERVICE**

Now that you have purchased your tool, should a need ever exist for repair parts or service, simply contact your nearest Poulan Pro Authorized Service Center. Be sure to provide all pertinent facts when you call or visit. Please call 1-800-849-1297 for your nearest Poulan Pro Authorized Service Center. You can also check our web site at www.poulanpro.com for a complete list of Authorized Service Centers.

- **MODEL NO. AND SERIAL NO.**

The model number of this generator will be found on a plate attached to the motor housing. Please record the model number and serial number in the space provided below.

- **HOW TO ORDER REPAIR PARTS**

When ordering repair parts, always give the following information:

- MODEL NUMBER _____

- SERIAL NUMBER _____