



M165938N

ITEM NUMBER: 165938

SERIAL NUMBER: _____

Owner's Manual

Instructions for Installation/Set-up, Operation, Servicing, & Storage Portable, Outdoor Use-Only, Triple Fuel Generator

6,600 Watt Continuous (8,000 Watt Surge) Capacity

Can be used to power individual appliances plugged directly into the generator's outlets, or as a back-up connection to a building's power supply (via a professionally installed UL-approved transfer switch).

WARNING

READ and UNDERSTAND this manual completely before using the generator! Failure to properly set up, operate, and maintain this generator could result in *serious injury or death* from *carbon monoxide poisoning, electric shock, fire/explosion, or burns*. In particular, be aware of the following hazards:

CO Poisoning

Generators give off carbon monoxide, a poisonous gas that can kill you. You CANNOT smell it, see it, or taste it.

- ONLY run generator OUTDOORS and AWAY from building air intakes. NEVER run generator inside any enclosed or semi-enclosed spaces, including homes, basements, garages, sheds, boxes, RVs, boats or pick-up truck beds. These spaces can trap poisonous gases, EVEN if you run a fan or open windows.
- Carbon monoxide is given off whether you are using gasoline, natural gas, or propane to power the generator.
- Install carbon monoxide alarms inside nearby structures/buildings (battery-operated, or plug-in with battery backup).

Electric shock / Electrocution

- High voltage electricity from generator can kill. DO NOT operate in wet locations. Be sure generator is properly grounded. Use only UL-listed, outdoor-rated grounded extension cords of proper size.
- NEVER plug the generator directly into a wall outlet. ANY connection to a building's electrical system MUST ISOLATE THE GENERATOR FROM UTILITY POWER via a UL-approved transfer switch installed by a licensed electrician. Otherwise, back feed from the generator into the power grid could kill utility workers.

Fire / Explosion

- DO NOT overload generator (per rated capacity), and OPERATE ONLY in an area with adequate cooling ventilation so engine does not overheat. Exhaust can be extremely hot. Keep muffler at least 7' from all combustible objects.
- All fuels are flammable. Never fuel a running or hot engine. Never pump fuel directly into generator at gas station – use approved container to transfer fuel. Ensure there are no fuel leaks, and keep sources of sparks and flames away.
- LPG/NG hook-ups must be completed by a certified gas technician and comply with all federal and local requirements.
- ALWAYS keep a fire extinguisher rated "ABC" nearby.

STOP!

CHOOSE THE RIGHT GENERATOR FOR YOUR NEEDS. See the "Power load Planning & Management" section of this manual to determine your power load requirements and then compare to the generator's rated capacity.

INSPECT COMPONENTS: Closely inspect to make sure no components are missing or damaged. See the "Unpacking & Delivery Inspection" section for instructions on whom to contact to report missing or damaged parts.

ARRANGE FOR PROFESSIONAL INSTALLATION of transfer switch and/or NG/LPG hook-ups, if they will be used.

See the "Installation/Initial Set-Up" section for more information about these requirements.

Any Questions, Comments, Problems, or Parts Orders

Call NorthStar Product Support 1-800-270-0810

Hazard Signal Word Definitions






	<p>This is the safety alert symbol. It is used to alert you to potential personal injury hazards. Obey all safety messages that follow this symbol to avoid possible injury or death.</p>
	<p>DANGER (red) indicates an imminently hazardous situation which, if not avoided, will result in death or serious injury.</p>
	<p>WARNING (orange) indicates a potentially hazardous situation which, if not avoided, could result in death or serious injury.</p>
	<p>CAUTION (yellow) indicates a potentially hazardous situation which, if not avoided, may result in minor or moderate injury.</p>
	<p>CAUTION (yellow) used without the safety alert symbol indicates a potentially hazardous situation which, if not avoided, may result in property damage.</p>

fig01453

Table of Contents

Hazard Signal Word Definitions	2
About Your Generator	4
Specifications	6
Safety Label Locations.....	7
Machine Component Identification.....	8
Power Load Planning & Management	11
Installation / Initial Set-Up:	
1. Unpacking & Delivery Inspection.....	13
2. Planning the Power Load.....	13
3. Gas Hook-up Installation for Natural Gas or Propane (LPG) – if using	14
4. Set-up as a PORTABLE or BUILDING BACK-UP Power Source	16
5. Selecting a Suitable Site	19
6. Grounding the Generator	21
7. Battery Installation	22
Operation:	
1. General Safety Rules for Operation	23
2. Preparing for Operation.....	26
3. Starting the Engine	30
4. Checking Generator Output.....	32
5. Connecting Loads	33
6. Switching Fuels (during operation).....	34
7. Stopping the Engine	34
8. Storage & Exercise	35
Maintenance & Repair.....	37
Troubleshooting.....	39
Summary of Important Safety Information for Operation.....	40
Generator Exploded View	45
Wiring Diagram.....	47
Generator Head Exploded View	48

About Your Generator

Thank you for purchasing your NorthStar portable generator!

About Your Generator

This engine-driven, portable generator is designed to provide up to 8,000 Watts of electrical power (6,600 watts continuous, 8,000 watts surge).

It can supply power:

1. As a portable power source. You can plug appliances directly into the generator's electrical outlets.
2. As a back-up, standby power source for a building. A licensed electrician can connect the generator to your building's electrical system via the installation of an **UL-approved transfer switch**. (See the "Installation & Initial Set-up" section of this manual to learn more about specific requirements and precautions relating to wiring the generator to your building's electrical system.)

You must select a generator adequately sized for your power needs. You need to determine the power needs of all the appliances/tools you wish to power at the same time and choose a generator rated to provide at least that power level. See the "Power Load Planning & Management" section of this manual to determine your specific power load requirements and then compare them to this generator's rated capacity. You must not overload the generator. Overloading will cause damage to the generator and attached electrical devices, and may also result in fire.

You can power this generator with gasoline, natural gas (NG), or propane (LP) gas. The generator is designed so that it is easy to switch between fuel sources. However, there are special initial hook-up requirements for natural gas and propane. See the "Specifications" section of this manual with regard to specific gas flow and pressure requirements. In addition, note the following:

- ◆ Natural gas. The standard delivery pressure provided to your building by your utility company may not match the requirements of your generator.
 - a) If your standard delivery pressure is *higher* than allowable for this generator, you may need to have a pressure-reducing regulator installed. (Note: The regulator supplied with this generator is NOT a pressure-reducing regulator).
 - b) If your standard delivery pressure is *lower* than allowable for this generator, you will need changes to your natural gas service to elevate the delivery pressure.

ALL natural gas hook-ups must be completed by trained personnel from your natural gas utility company and inspected as required by your local building code.

- ◆ Propane (LP). You will need a minimum 100 lb. LPG gas tank to run this generator – the vaporization rate is insufficient with smaller tank sizes. A qualified propane gas technician must set up the valve and hose connection between the propane tank and generator in accordance with all local regulations and electric code.

See the "Installation / Initial Set-Up: Step 3" section of this manual for more detailed information.

Be sure to read about site selection and grounding requirements for running this generator. More detailed information can be found in the "Installation & Initial Set-up, Steps 5 & 6" of this manual.

About Your Generator (cont'd)

This generator is too heavy for one person to lift without mechanical assistance. An optional wheel kit is available from NorthStar and is recommended if you will be moving the generator unassisted. Other optional accessories available from NorthStar include a vinyl cover for storage, UL-approved transfer switches, and extension cords.

**Contact NorthStar Product Support at 1-800-270-0810
with questions about optional accessories or to order.**

Read this Manual

WARNING

Improper use or maintenance of this generator can result in *serious injury or death* from *carbon monoxide poisoning, electric shock/electrocution, fire/explosion, or burns*.
Read this manual completely before using the generator and follow all instructions and safety rules.

You must follow all instructions and safety precautions presented throughout this manual. A summary of important safety information can be found at the end of the manual. Keep this manual for reference and review.

Proper preparation, operation, and maintenance will result in operator safety, as well as best performance and long life of the generator. For detailed engine operation and maintenance information, always refer to the engine Owner's Manual furnished with the generator.

NorthStar is constantly improving its products. The specifications outlined herein are subject to change without prior notice or obligation. The purchaser and/or user shall assume liability for any modification and/or alterations of this equipment from original design and manufacture.

Before using, the user shall determine the suitability of this product for its intended use and assumes liability therein.

**Contact NorthStar Product Support at 1-800-270-0810
for any questions about the appropriate use of this generator.**

Warranty Registration

Please fill out and submit the warranty registration card so that we have your contact information for any future product literature or replacement parts you may need.

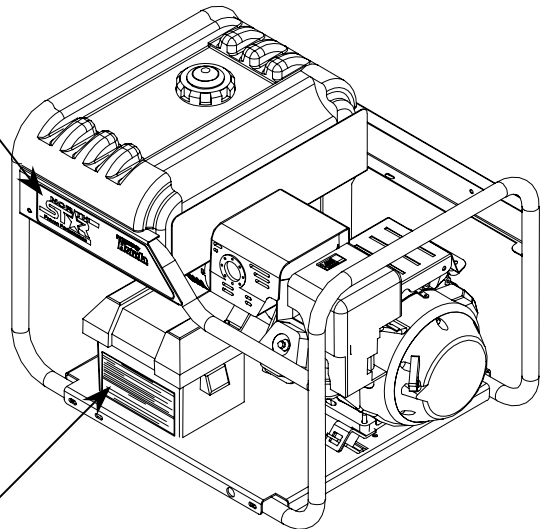
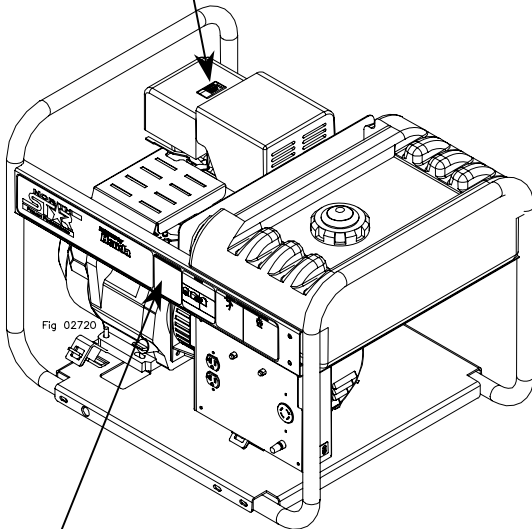
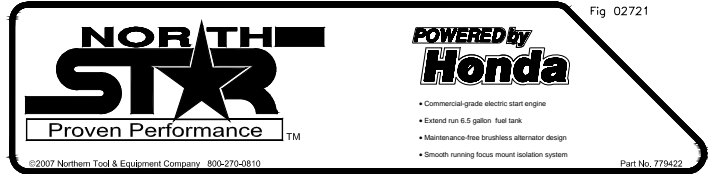
ATTENTION: All Rental Companies and Private Owners who loan this equipment to others!

All persons to whom you rent/loan this generator must have access to and read this manual. Keep this owner's manual with the generator at all times and advise all persons who will operate the machine to read it. You must also provide personal instruction on how to safely operate the generator and remain available to answer any questions a renter/borrower might have.

Specifications – Item #165938N

SPECIFICATIONS	
Item Number	#165938
Maximum Output	8000 Watts (W)
Continuous Output: Gasoline	6600 Watts (W)
Liquid Petroleum Gas (LPG)	6200 Watts (W)
Natural Gas (NG)	5200 Watts (W)
Voltage	120 / 240 Volt (V)
Phase	Single phase (4-wire)
Frequency Regulation	56.5 - 63.3 Hertz (Hz)
Voltage Regulation	110-129V
Power Factor	1.0 p.f.
Engine	13 HP Honda
Engine Speed	3390 - 3798 RPM
Fuel Type	Unleaded gasoline/LPG/NG
Pressure Range (LPG, NG)	(7-11 in H ₂ O, 4-6 oz.)
Min. Flow Range (LPG, NG)	(5.7 lb/hr-LPG, 2.0 CFM-NG)
Fuel Capacity	6.5 gallons (24.6 L)
Oil Capacity	1.16 US quarts (1.1 L)
Starting Method	Electric/Recoil
120V Receptacle	15 Amp (A) duplex (NEMA 5-15R) 20 Amp (A) duplex (NEMA 5-20R)
120/240V Receptacle	30 Amp (A) locking device (NEMA L14-30R)
Circuit Breaker	(1) 15 Amp (A) thermal, push to reset (2) 20 Amp (A) thermal, push to reset (2) 30 Amp (A) thermal, push to reset
Grounding Post	Receives 10 Ga. wire or fork terminal
Battery (not included)	12 Volt, 18 Amp-Hour minimum, Group size U1
Dimensions	
Length	31.75" (80.6 cm)
Width	23.63" (60.0 cm)
Height	22.25" (56.5 cm)
Dry Weight	225 lb. (102 kg)
Gross Weight	250 lb. (114 kg)

Safety Label Locations – Item #165938N



WARNING - BATTERY HAZARDS

BATTERIES:

- 1) contain caustic acid, 2) emit explosive gases, 3) can cause electric shock
- ALWAYS use eye protection. Caustic acid and explosive gases can cause blindness or severe burns.
- NO smoking, sparks, or flames.
- NEVER touch both battery terminals at the same time with your hand or any non-insulated tools.
- LUBRI immediately with water if battery acid contacts eyes, skin, or clothing.
- CONNECT cables in correct sequence: FIRST RED to POSITIVE terminal, then BLACK to NEGATIVE terminal. When disconnecting, DISCONNECT BLACK cable first, then RED.
- NEVER charge a visibly damaged or frozen battery. ALWAYS read and follow charger instructions.

ATTENTION

IF GENERATOR IS TO BE STORED LONGER THAN 2 MONTHS, charge battery with a trickle charger that is rated for 3 amps maximum. A charged battery ensures reliable engine starting.

©2007 Northern Tool & Equipment Company 800-270-0810 Part No. 779422

POWERED by Honda

- Commercial-grade electric start engine
- Extend run 6.5 gallon fuel tank
- Maintenance-free brushless alternator design
- Smooth running focus mount isolation system

OPERATING INSTRUCTIONS

Starting Instructions - LPNG

- Connect regulator hose to LPNG inlet
- Set fuel selector switch to LPNG
- Start engine

Starting Instructions - Gasoline

- Set fuel selector switch to Gasoline
- Start engine

Switching Fuels on the Fly

LPNG to Gasoline:

- Change fuel selector switch to Gasoline
- Wait for engine to cool completely
- Change fuel selector switch to LPNG

Gasoline to LPNG:

- Change fuel selector switch to LPNG
- Wait for engine to cool completely
- Change fuel selector switch to LPNG

See Owner's Manual for more details.

WARNING - OPERATING CONDITION HAZARDS

Electric Shock/Electrocution Hazard

High voltage electricity from generator can kill.

NEVER plug generator directly into a wall outlet. ALWAYS use a transfer switch. NEVER use a transfer switch with a double-throw switch. ALWAYS use a transfer switch with a double-throw switch. ALWAYS use a transfer switch with a double-throw switch.

NEVER use inside a home or garage. NEVER use outdoors and never use indoors. NEVER use outdoors and never use indoors. NEVER use outdoors and never use indoors.

NEVER operate in wet locations. ALWAYS use proper grounding.

Always make sure safety labels are in place and in good condition. If a safety label is missing or not legible, order new labels or unsafe operation could result.

To order replacement safety labels, call NorthStar Product Support at 1-800-270-0810.

On-Product Warning Labels	
Part numbers	Description
39260	Burn Warning
779396	Battery Warning
779422	NorthStar
779424	Warning

Machine Component Identification - Item #165938N

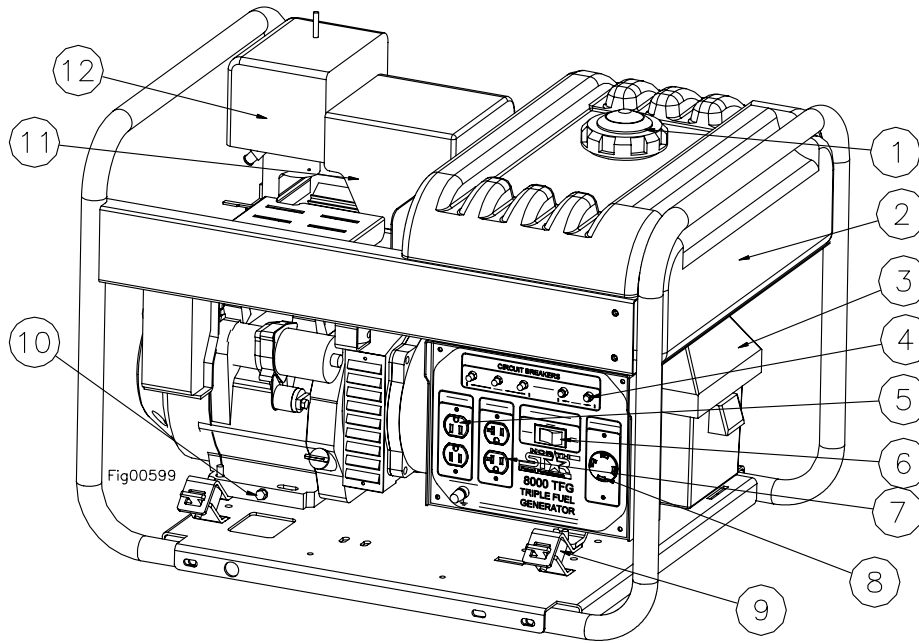


Figure 1 (Ref. 1-12)

Ref.	Description	Ref.	Description
1	Gas Cap with Gauge	11	Super Silent Muffler
2	6.5 Gallon Gas Tank	12	Air Cleaner
3	Battery Box	13	Engine Key Switch
4	Circuit Breakers	14	Fuel Valve
5	120V 15A Duplex Receptacle	15	Choke Lever
6	Fuel Selector Switch	16	Recoil
7	120V 20A Duplex Receptacle	17	LPG / NG - 3/4" NPT Inlet
8	120/240V 30A Locking Receptacle	18	Demand Regulator
9	Vibration Isolation Mounts	19	Generator Head
10	Oil Drain Plug		

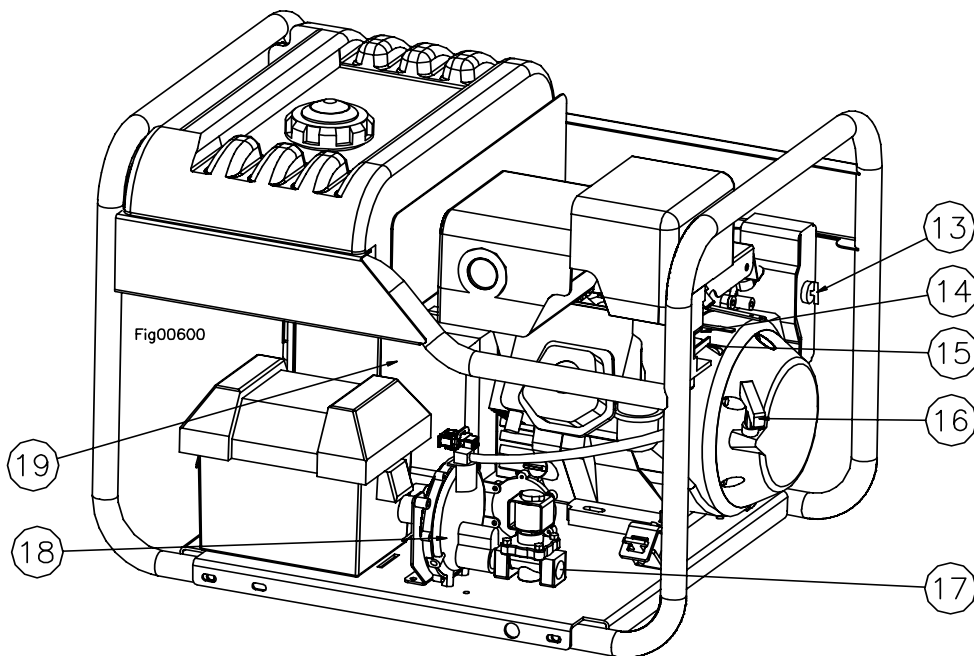


Figure 2 (Ref. 13-19)

Machine Component Identification - Item #165938N

REFERENCE GUIDE	
Reference 1 – Gas Cap with Gauge	The gas cap is extra large, creating a large hole for refilling and a comfortable grip. You can always monitor the fuel level without removing the cap by using the fuel level indicator built into the gas cap.
Reference 2 – 6.5 Gallon Gas Tank	Large tank allows for extended run capabilities. Always allow room for gasoline expansion by not filling the gas tank completely full.
Reference 3 – Battery Box	The battery box provides protection for the battery and will accept a standard lawn tractor size battery (Group U1-7). The engine requires a 12 volts d.c. battery, with a minimum rating of 18Ah (Amp-Hour). See battery section for sizing.
Reference 4 – Circuit Breakers	This portable single phase generator has 1-15 amp (A), 2-20 amp (A), and 2-30 amp (A) push to reset circuit breakers to protect against electrical overloads.
Reference 5 – 120V 15A Duplex Receptacle	The generator has a control panel with two duplex (two receptacles in a common housing) receptacles. This duplex is a 120 volt (V) 15 amp (A) straight blade receptacle, National Electrical Manufacturer's Association (NEMA) number 5-15R. This receptacle accepts NEMA plug number 5-15P. The duplex is capable of drawing 15A out of either receptacle or a combination of both.
Reference 6 – Fuel Selector Switch	<p>Switching from LP or NG to gasoline:</p> <ol style="list-style-type: none"> 1. Disconnect all loads to generator. 2. Turn the gas line valve to ON position. 3. Flip the fuel selection switch to the GASOLINE position. <p>Switching from gasoline to LP or NG:</p> <ol style="list-style-type: none"> 1. Disconnect all loads to generator. 2. Make sure LP or NG fuel is being supplied. 3. Flip the fuel selection switch to the NONE position. 4. Wait for the engine to begin sputtering, this indicates the engine is being starved of gasoline. Do not choke the engine when switching to LP/NG fuel. 5. Flip the fuel selection switch to the LP/NG position. 6. Momentary sputtering is common. If engine stops running, turn the ignition key to restart the engine. 7. Turn gasoline line valve to OFF position.
Reference 7 – 120V 20A Duplex Receptacle	The second duplex is a 120V 20A straight blade receptacle, National Electrical Manufacturer's Association (NEMA) number 5-20R. This receptacle accepts NEMA plug numbers 5-15P and 5-20P. Each receptacle on this duplex is capable of drawing 20A.
Reference 8 – 120/240V 30A Locking Receptacle	The locking device is a 120/240V 30A NEMA L14-30R receptacle. This receptacle accepts a NEMA plug number L14-30P.

Machine Component Identification - Item #165938N

Reference 9 – Vibration Isolation Mounts	The engine and generator are mounted on rubber cylinders that absorb most of the engine vibration. This feature eliminates the tendency of the machine to “walk” which is common in engine powered equipment.
Reference 10 – Oil Drain Plug	Refer to your Honda engine manual for oil change recommendations.
Reference 11 – Super Silent Muffler	Noise level is 8 dB less than Honda’s standard muffler.
Reference 12 – Air Cleaner	Refer to your Honda engine manual for air cleaner care.
Reference 13 – Engine Key Switch	The engine key is located on the engine. Always locate this switch and be familiar with its location before operating the generator. Consult the Honda engine owner’s manual for further instructions.
Reference 14 – Fuel Valve	The engine has an ON-OFF valve mounted on the front of the engine. Always keep this valve closed when the generator is not in use.
Reference 15 – Choke Lever	Used during cold starts. The choke is only used with gasoline fuel. Refer to Honda engine manual for usage.
Reference 16 – Recoil	Grasp firmly when starting engine.
Reference 17 – LPG / NG – ¾” NPT Inlet	<p>Before you start engine, smell next to floor for gas, if you do smell gas:</p> <ul style="list-style-type: none"> • DO NOT start engine. • DO NOT light a match. • DO NOT flip on an electrical switch. • Exit area immediately and call gas supplier or fire department. <p>Minimum flow range required: NG - 2.0 CFM, LPG - 5.7 lb/hr. Pressure Range: 4-6 ounces, OR 7-11 inches of water column. NEVER over pressurize.</p>
Reference 18 – Demand Regulator	Supplies the engine LP or NG fuel only if the engine is running.
Reference 19 – Generator Head	The electricity producing part of the generator.

Power Load Planning & Management

⚠ WARNING

NEVER exceed the rated wattage capacity of your generator.

OVERLOADING may cause SERIOUS DAMAGE to the generator and attached electrical devices, and may result in fire.

Your generator **MUST BE SIZED PROPERLY** to provide both the running and starting (surge) wattage of the devices you will be powering. Before using your generator, determine the running and starting wattage requirements of all the electrical devices you will be powering simultaneously. The sum of the running and starting wattages of the devices being powered must not exceed the continuous output rating of your generator. (The continuous output rating of your generator is listed in the “Specifications” section of this manual.) Note that:

- Devices without electric motors such as light bulbs, radios, and televisions have the same running and starting wattage.
- Devices with electric motors such as refrigerators, compressors, and hand tools typically require a starting wattage that is 3 to 5 times greater than the running wattage.

The running and starting wattage requirements are often listed on a device’s nameplate. If wattage is not given on the device’s nameplate, the wattage may be calculated by multiplying the nameplate voltage by nameplate amperage, $\text{Watts} = \text{Volts} \times \text{Amps}$.

Example conversion to watts:

$$120 \text{ Volts} \times 5 \text{ Amps} = 600 \text{ Watts}$$

If only the running voltage is given on the nameplate for a device with an electric motor, the starting wattage can be approximated to be three to five times the running wattage.

Estimates for the running wattage requirements for common devices are listed in **Table 1** below. Guidance for starting wattages is provided in the table’s footnotes.

Table 1

Device	Running Watts	Device	Running Watts
Air conditioner (12,000 BTU)	1700 (a,b)	Jet pump	800 (a)
Battery charger (20 Amp)	500	Lawn mower	1200
Belt sander (3")	1000	Light bulb (100 Watt)	100
Chain saw	1200	Microwave oven	700
Circular saw (6½")	2000 (a,b)	Milk cooler	1100 (a)
Coffee maker	1800 (a,b)	Oil burner on furnace	300
Compressor (1 HP)	1400 (a,b)	Oil-fired space heater (140,000 Btu)	400
Compressor (¾ HP)	1800 (a)	Oil-fired space heater (85,000 Btu)	225
Compressor (½ HP)	1400 (a)	Oil-fired space heater (30,000 Btu)	150
Curling iron	700	Oven	4500
Dishwasher	1200	Paint sprayer, Airless (1/3 HP)	600 (a)
Edge trimmer	500	Paint sprayer, Airless (handheld)	150
Electric nail gun	1200	Radio	200
Electric range (1 element)	1500	Refrigerator	600 (b)
Electric skillet	1250	Slow cooker	200
Furnace fan (1/3 HP)	1200 (a)	Submersible pump (1-1/2 HP)	2800 (a)

Power Load Planning & Management (cont'd)

Device	Running Watts	Device	Running Watts
Freezer	800 (b)	Submersible pump (1 HP)	2000 (a)
Hair dryer	1200	Submersible pump (1/2 HP)	1500 (a)
Hand drill (1")	1100	Sump pump	600 (a)
Hand drill (1/2")	875	Table saw	2000 (a)
Hand drill (3/8")	500	Television	500
Hand drill (1/4")	250	Toaster	1000
Hedge trimmer	450	Vacuum cleaner	250
Home computer	150	VCR	70
Impact wrench	500	Water Heater	3000
		Weed trimmer	500

(a) Hard-starting motors require 3-5 times the rated running watts

(b) For extremely hard to start loads such as air conditioners and air compressors, consult the equipment dealer to determine maximum wattage

To calculate the running and starting wattage requirements for the devices you will be powering, follow these steps:

1. Make a list of all electrical devices you will be powering at the same time with the generator.
2. List the greater of the running or starting wattage next to each device as obtained from the devices' nameplate or **Table 1**. If only the running wattage for a device with an electric motor is known, the starting wattage can be estimated to be at least 3 times the running wattage.
3. Add the wattages for all devices on your list. This total must be lower than the continuous output rating of your generator.

Example:

Device to be Powered	Greater of Starting/Running Wattage
Light Bulb	75 W
Refrigerator – 18 Cu. Ft.	1600 W
Microwave	700 W
Window AC	1800 W
Sump pump (1/3 hp)	2100 W
Total	6275W

In this example, the generator must have a continuous output of at least 6275 W in order to power all of the devices simultaneously.

STAGGERING LOADS

You can increase the number of devices your generator can power by staggering the load on the generator. For example, you could alternately power your refrigerator and air conditioner for limited periods of time -- powering only one of the devices at a time and never powering both at the same time.

Installation / Initial Set-Up

There are a number of important steps required to set up your generator for initial use. These steps are:

Steps for Installation / Initial Set-Up

- 1. Unpacking & delivery inspection.**
- 2. Planning the power load to stay within the generator's rated capacity.**
- 3. Getting gas hook-ups installed if natural gas or LP gas will be used as a fuel source.**
- 4. Setting up generator for the type of power generation you need:**
 - a. portable power source, or**
 - b. connected to a building as a back-up power source.**
- 5. Selecting a site for using the generator.**
- 6. Grounding.**
- 7. Battery installation (electric start models only).**

Each of these steps is discussed in detail below:

1. Unpacking & Delivery Inspection

You should inspect the generator immediately after you receive delivery.

See the "Machine Component Identification" section of this manual for a diagram of the generator and its components.

- If you have *missing* components, contact Product Support at 1-800-270-0810.
- If you have *damaged* components, contact the freight company that delivered the unit and file a claim.

2. Planning the Power Load

Plan your power load so that you do not exceed the generator's rated capacity.

See the "Power Load Planning & Management" section of this manual to review how to plan and manage power loads for the generator.

Installation / Initial Set-Up

3. Gas Hook-up Installation for Natural Gas or LPG (if needed)

You can power this generator with gasoline, natural gas (NG), or propane (LP) gas. The generator is designed so that it is easy to switch between fuel sources. However, there are special initial hook-up requirements for natural gas and propane:

⚠ WARNING:

If you choose to operate the generator on NG or LPG, you must have the fuel line system installed by a certified gas technician.

Specific requirements for each type of hook-up are given below:

Natural Gas (NG) Hook-up	<p>Contact your gas utility company for installation of a natural gas hook-up for the generator.</p> <p>⚠ WARNING: Natural gas is a highly explosive gas. All natural gas hook-ups must be completed by trained personnel from your natural gas utility company and inspected as required by your local building code.</p> <ul style="list-style-type: none"> ◆ This product is designed to operate on NG at a gas pressure range of 4 to 6 ounces per square inch (7"-11" of water column) and requires a minimum NG flow rate of 3.25 CFM. ◆ The standard gas pressure normally delivered to your building by your utility company may be higher or lower than the required 4-6 ounces per square inch (7"-11" of water column): <ul style="list-style-type: none"> ○ <u>If your standard delivery pressure exceeds 4-6 ounces per square inch (7"-11" water column)</u>, you will need a pressure-reducing regulator installed. Excessive gas pressure will permanently damage this product and void the warranty if the generator is not installed correctly with a pressure-reducing regulator as needed. <p style="text-align: center;">Note: <i>The regulator supplied with this product is NOT a pressure-reducing regulator, but one can be supplied and installed by your gas utility technician at the time of fuel system hook-up.</i></p> ○ <u>If your standard delivery pressure is lower than 4-6 ounces per square inch (7"-11" water column)</u>, you will need changes to your natural gas service to provide elevated delivery pressure. In addition you will need to have a pressure-reducing devices installed for your other natural gas appliances.
Propane (LPG) Hook-up	<p>Contact your local propane supplier to install a propane fuel system for the generator.</p> <p>⚠ WARNING: LPG is a highly explosive gas. A qualified propane technician must make the valve and hose connection between the propane tank and generator in accordance with all local regulations and electrical codes. All LPG hook-ups should be completed by trained personnel from propane supplier and inspected as required by your local building code.</p>

Installation / Initial Set-Up

- ◆ This product is designed to operate at an LPG gas pressure range of 7" to 11" of water column and requires a minimum LPG gas flow rate of 9.33 lb/hr, 2.2 Gal/hr, or 201,718 BTU/hr.

Note: *All gas cylinders produce gas pressure in excess of 11" water column. Introduction of gas pressure into the generator in excess of 11" water column will permanently damage this product and void the warranty. You will need a pressure-reducing regulator installed as part of your LP gas fuel system.*

- ◆ You will need a minimum 100 lb. LPG gas tank to operate the generator.

This generator will not work with 20-lb gas cylinders used in gas grills and recreational equipment, or 40-lb gas cylinders used in forklifts and tractors. These smaller gas tanks do not have a sufficient vaporization rate to run the generator.

Some installations may require tanks even larger than 100-lb as a result of low surrounding air temperature and other appliances drawing fuel from the same tank.

Installation / Initial Set-Up

4. Set-up either as a BUILDING BACK-UP or PORTABLE Power Source

This generator is designed to provide up to 8,000W of electrical power. It can supply electricity in two ways:

1. **As a back-up, standby power source for a building.** For this application, you must arrange for a licensed electrician to connect the generator to your building's electrical system via the installation of an UL-approved transfer switch. The transfer switch must be installed in accordance with building electrical code and guidelines supplied by your power company.
2. **As a portable power source.** You can plug appliances or tools directly into the generator's electrical outlets.

Specific requirements for each are given below.

Note: Regardless of whether you use your generator as a back-up power source connected to a building or as a portable power source, you must not overload the generator. Overloading may cause serious damage to the generator and attached electrical devices.

Using as a Back-up Power Source for a Building

Contact a licensed electrician to install a UL-approved transfer switch if you want to use your generator as a back-up power source for a building.

What does a transfer switch do? It:

- a) Safely connects the generator to your building's electrical system by isolating your generator from your utility company's power lines, AND
- b) Connects your generator to a critical subset of your building's circuits that are needed for emergency power needs.

If your generator will be connected to your building's electrical system, it **MUST ALWAYS** be isolated from the utility power grid with a *UL-approved transfer switch installed by a licensed electrician* in compliance with all applicable building and electrical codes, and in accordance with guidelines supplied by your power company.

DANGER:

A transfer switch must be installed in order to isolate your generator from the utility power grid. If your generator is **NOT** properly isolated from the utility system, serious hazards will arise:

- ◆ When your generator is running, it's output will back feed into the utility power line and transformer that are normally used to provide you with power. The transformer will step up the current to the normal line voltage. An unsuspecting utility line worker working on what he thinks is a deactivated line could be electrocuted.
- ◆ If your generator is connected (running or not) when utility power is restored, your generator will be destroyed. It could also explode or cause fire.

Installation / Initial Set-Up

In addition to isolating your generator from the utility system, the transfer switch connects your generator to a limited set of circuits in your building that have been chosen as critical to operate during a power outage.

The generator cannot power your entire home -- you must work with the installing electrician to determine which devices/appliances you wish to power during an outage. The electrician can help you determine which circuits and devices can be powered simultaneously without overloading the generator.

(See the previous section of this manual entitled “**Power Load Planning & Management**” for more information on load application and selection.)

Using as a Portable Power Source

When using the generator as a portable power source, you can plug electric devices and appliances directly into the generator’s electrical outlets.

There are three different kinds of electrical outlets on the generator:

1. One 120/240 Volt, 30 Amp locking receptacle (NEMA L14-30R locking receptacle compatible with L14-30P mating plug).
2. One 120 Volt, 20 Amp duplex straight-blade receptacle (NEMA 5-20R duplex receptacle compatible with NEMA 5-20P or 5-15P mating plugs).
3. One 120 Volt, 15 Amp duplex straight-blade receptacle (NEMA 5-15R receptacle compatible with NEMA 5-15P mating plug)/

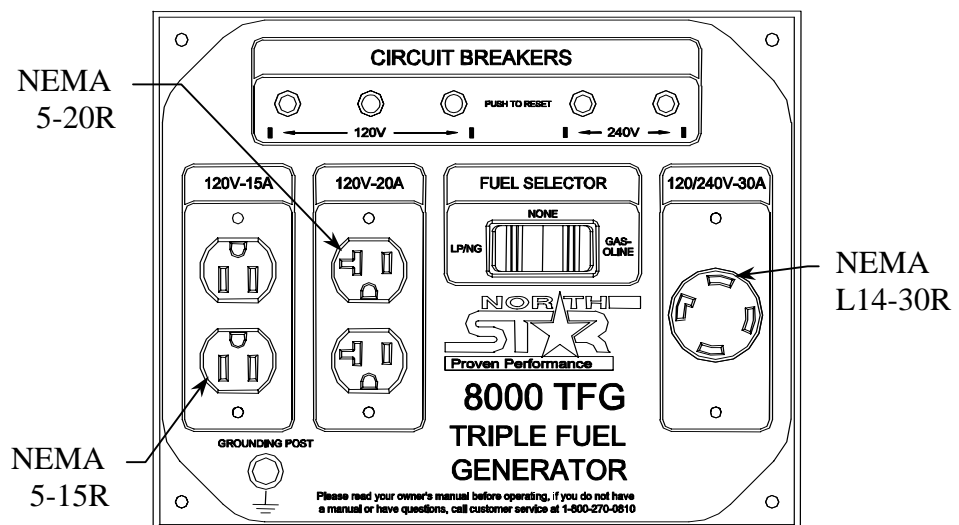


FIG02683

(See more technical detail about these receptacles and their associated circuit breakers in the “Machine Component Identification” section of this manual.)

- ◆ Make sure you plug each electrical device/appliance into the correct generator outlet based on the device’s plug configuration and voltage/amperage rating. Never exceed the amperage rating of an outlet.

Installation / Initial Set-Up

- ◆ Extension cords may be used to power devices that are located at a distance from the generator. However, use only UL-listed, outdoor-rated, grounded extension cords of the proper size. Use Table 2 below to choose an adequately sized extension cord according to the amperage of the device being used and the length of the cord.

Table 2

Current/Power		Maximum Extension Cord Length			
Amps at	Load	#10 Ga.	#12 Ga.	#14 Ga.	#16 Ga.
240V	(watts)	Cord	Cord	Cord	Cord
10	2400	250'	150'	100'	75'
20	4800	125'	75'	50'	25'
30	7200	60'	35'	25'	10'
40	9600	30'	15'	10'	*
50	12000	15'	*	*	*

⚠ WARNING:

Use of under sized extension cords can cause electric shock, fire, or damage to connected devices.

- ◆ All extension and appliance cords must be in good condition and not worn, bare, frayed, or otherwise damaged.

⚠ WARNING:

Use of damaged electric cords can cause electric shock or fire.

Note: If an extension cord becomes hot to the touch, it is overloaded or damaged and must be replaced.

Northern Tool is NOT responsible for damage or injury resulting from customer use of inadequate extension cords.

Installation / Initial Set-Up

5. Select a Suitable Site

Before using the generator, you must select a suitable **OUTDOOR** location for installation and operation. This location should meet all of the criteria listed below.

⚠ WARNING:

You must choose a suitable site for operating your generator to avoid equipment damage and/or injury and possible death from carbon monoxide poisoning, electric shock, or fire. Choose a site that meets all of the criteria specified.

Dry, level surface	<p>The generator should be positioned on a dry, firm, level surface.</p> <p>Ensure that the generator sits level and will not slide or shift during operation. If applicable, block the generator's wheels to prevent sliding and shifting.</p>
Outdoors only – dangerous carbon monoxide exhaust	<p>⚠ WARNING: Carbon monoxide poisoning hazard</p> <p>The exhaust from your generator contains carbon monoxide (CO), a poisonous gas that can kill. You cannot smell it, see it, or taste it. <i>Carbon monoxide exhaust is given off whether you are using gasoline, natural gas, or propane as the fuel source to power the generator.</i></p> <p>Follow the directions below for choosing a location to operate your generator in order to avoid carbon monoxide poisoning.</p> <p>The location you choose to operate the generator must be OUTDOORS and away from all air intakes:</p> <ul style="list-style-type: none"> • Never run the generator inside any closed or semi-enclosed spaces (even if outdoors), including homes, garages, basements, sheds, or boxes. <i>These spaces can trap poisonous gases, even if you run a fan or open windows.</i> • Place the generator so that the exhaust fumes will not be directed towards people or building air intakes. • Ensure that working, battery-operated or battery back-up carbon monoxide alarms are used in any dwelling/structure that is in close proximity to the running generator. • Note that this generator is NOT designed or approved for use in vehicles or marine applications. Never run the generator inside RVs or other vehicles, on boats, or on pick-up truck beds. <p>⚠ WARNING:</p> <p>Never attempt to attach ductwork to the muffler system to allow for installation inside an enclosure. This could cause hot air deflection, heat build-up, and increased exhaust back-pressure, resulting in possible exhaust leakage or damage to the generator.</p>
Adequate cooling ventilation	<p>The generator needs adequate, unobstructed flow of air to allow for proper cooling of engine and generator head.</p> <p>⚠ WARNING:</p> <p>Heat build-up from inadequate ventilation can result in fire, posing a serious risk to nearby persons and structures.</p> <ul style="list-style-type: none"> • Situate so there is adequate clearance around generator to allow for cooling airflow so that heat does not build up.

Installation / Initial Set-Up

	<ul style="list-style-type: none"> • Never place the generator immediately adjacent to a building or other structure – allow at least a 7’ clearance. • Do not run the generator in close proximity to other heat-generating equipment, such as another generator. The combined heat that is generated may raise air temperature in the immediate area and there will not be adequate cooling ventilation. • Do not allow debris to accumulate and block airflow. • Do not operate with a tarp, blanket, or cover surrounding the generator.
No wet conditions	<p>Choose a location where the generator will NOT be exposed to rain, snow, or direct sunlight. Exposure to water can cause electric shock.</p> <p>You <i>may</i> operate the generator under an outdoor, canopy-like structure of heat-resistant material that is open on all sides. Make sure that all parts of canopy are at least 7’ from exhaust, and allow for adequate clearance above generator so that heat does not build up.</p>
Hot exhaust clearance	<p>The exhaust gas from your generator is extremely hot and can cause combustible materials to catch on fire.</p> <ul style="list-style-type: none"> • Make sure your generator’s exhaust system is at least 7 feet from all combustible materials and buildings/structures. • Equip the engine with a spark arrestor if the generator will be used near any ignitable forest, brush, or grassy land. (See the “Specifications” section of this manual to determine if your generator is already equipped.) Make sure you comply with applicable local, state, and federal codes. • Keep a fire extinguisher rated “ABC” nearby. Keep it properly charged and be familiar with its use.
Away from dust/dirt	<p>Do not use the generator in extremely dusty or dirty conditions. Excessive dust and dirt can cause premature failure of the machine.</p>
Hearing protection	<p>Generators can produce noise levels of up to 95 dB in close proximity, which can be dangerous to human hearing with prolonged exposure.</p> <p>Hearing protection may be required for persons working within 15-20 feet of the running generator for an extended period of time.</p> <p>⚠ WARNING: Never attempt to attach ductwork to the muffler system to lower noise levels. This could cause hot air deflection, heat build-up, and increased exhaust back-pressure, resulting in possible exhaust leakage or damage to the generator.</p>

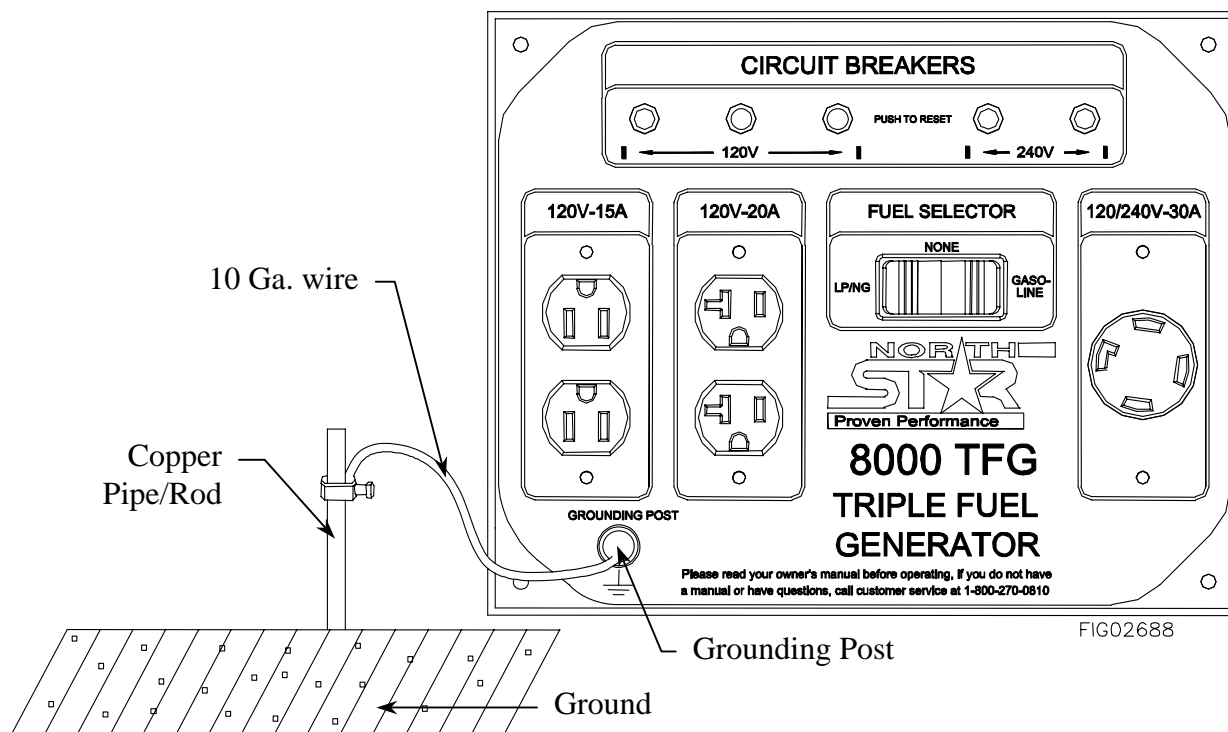
Installation / Initial Set-Up

6. Grounding the generator

Always ensure the generator is properly grounded to prevent electrical shock.

You must always ground the generator by the following method when using the generator as a portable electrical source:

- 1) Drive a $\frac{3}{4}$ " or 1" copper pipe or rod into the ground close to the generator. The pipe/rod must penetrate moist earth – the depth required will be dictated by local soil conditions. Consult with an electrician.
- 2) Connect an approved ground clamp to the pipe.
- 3) Run a 10 gauge wire from the clamp to the generator grounding post located on the rear of the generator head.
- 4) Do not connect the generator grounding post to a water pipe or a ground used by a radio system.



If a licensed electrician installs the generator with a connection to your building's electrical circuit for use as a back-up power system, grounding may alternatively be completed through the building's grounding system. Ask your electrician. If the generator is not grounded through your building's electrical system, follow the procedure above.

⚠ WARNING:

Operating the generator when it is not properly grounded can result in electrical shock.

Installation / Initial Set-Up

7. Battery Installation

Your generator's engine is equipped with an electric starter which requires the installation of a 12-volt lawn tractor size battery (Group U1). See the "Specifications" section of this manual for more specific battery requirements for this generator model, such as minimum amperage or CCA rating.

The battery is to be supplied by the customer and should be installed in the protective battery box located near the engine. Follow the instructions detailed below for connecting and disconnecting the battery.

⚠ WARNING: Battery hazards

Batteries are hazardous because they contain caustic acid, can emit explosive gases, and can cause electric shock. Caution must be exercised when making connections to a battery to avoid shock and contact with the acid, and to prevent any sparking that could lead to an explosion.

ALWAYS follow the general battery safety rules and instructions listed below.

General Battery Safety Rules	<ul style="list-style-type: none"> • ALWAYS use eye protection when handling batteries. • NEVER smoke or work near sparks or other sources of ignition. • NEVER touch both battery terminals at the same time with your hand or any non-insulated tools. • If battery acid contacts skin or clothing, flush immediately with water and neutralize with baking soda.
Connecting the battery	<p>Always connect the cables in the following sequence to avoid possible shock:</p> <ol style="list-style-type: none"> 1. Find the battery cables located inside the battery box. 2. Connect the red cable to the positive(+) terminal of the battery. 3. Then connect the black cable to the negative(-) terminal of the battery.
Disconnecting the battery	<p>Always disconnect cables in the following sequence to avoid possible shock.</p> <ol style="list-style-type: none"> 1. First, disconnect the black cable from the negative(-) terminal of the battery. 2. Next, disconnect the red cable from the positive(+) terminal of the battery.

Operation

Once you have set up your generator for use, it is time to start your generator. The following are the procedures necessary for safe, successful operation of your generator.

Operation Procedures

1. **General Safety Rules for Operation**
2. **Preparing for Operation**
3. **Starting the Engine:**
 - a) **Using LP/NG**
 - b) **Using Gasoline**
4. **Checking Generator Output**
5. **Connecting Electrical Loads (Portable Power Generation)**
6. **Switching Fuels:**
 - a) **From LP/NG to Gasoline**
 - b) **From Gasoline to LP/NG**
7. **Stopping**
8. **Storage & Exercise of Generator**

Each of these procedures is discussed in detail below:

1. General safety rules for operation

Before starting the generator, review the following general safety rules for operation:

WARNING:

Failure to follow safety rules may result in serious injury or death to the operator or bystanders.

- **Know proper use/how to stop.** Be thoroughly familiar with proper use of the equipment and all generator controls, output receptacles, and connections. Know how to stop the generator quickly if needed (see “Operation, Step 7 - Stopping the Engine”).
- **Instruct operators.** The generator owner must instruct all operators in safe generator set-up and operation. Only trained adults should set up and operate the generator – Do not let children operate.
- **Intended use.** Carefully read about and understand the intended use of this generator. Do not use for other purposes, as unforeseen hazards or equipment damage may result.
- **Under the influence.** Never operate, or let anyone else operate, the generator while under the influence of alcohol, drugs, or medication.
- **Safety equipment / controls.** Do not operate the generator unless all safety covers, guards, and barriers are in place and in good working order, and all controls are properly adjusted for safe operation.
- **Damaged.** Do not operate the generator with damaged, missing, or broken parts.
- **Modifications.** Do not modify the generator in any way. Modifications can create serious safety hazards and will also void the warranty.
- **Engine speed.** Never attempt to modify the engine speed setting. The engine speed is preset at 3600 RPM for safe and optimal performance of the generator. If speed needs adjusting, it must be done by factory-authorized personnel.
- **External fuel sources.** Never attempt to connect external gasoline/diesel sources in order to increase engine run time. Larger tank at pressure or higher elevation will cause gasoline to leak from carburetor during operation. Fire or explosion could result.

Operation (cont'd)

- **Malfunction during operation.** Immediately turn off the generator if any of the following conditions arise during operation:
 - Excessive change in engine speed, slow or fast
 - Overheating in load connecting devices
 - Sparking or arcs from generator
 - Loss of electrical output
 - Receptacle damage
 - Engine misfire
 - Excessive vibration
 - Flame or smoke
 - Abnormal noise
- **Adjusting / repairing.** Always turn off generator and remove spark plug(s) or spark plug wire(s) before working on the generator to prevent accidental starting. Always discharge the capacitor before working on the generator head to prevent electrical shock. (See Maintenance & Repair section of this manual for instructions on how to do this.)
- **Carbon monoxide poisoning.** The running engine gives off carbon monoxide, a poisonous gas that can kill you. You CANNOT smell it, see it, or taste it. Follow all instructions for site selection and positioning the generator, and avoid inhaling the exhaust. If you start to feel sick, dizzy, or weak while using the generator, shut off the engine and get to fresh air RIGHT AWAY. See a doctor. You may have carbon monoxide poisoning.
- **Other exhaust dangers.** This product contains or emits chemicals known to the State of California to cause cancer, birth defects or other reproductive harm. Avoid inhalation of exhaust.
- **Wet conditions.** Do not operate the generator or handle any electrical equipment while standing in water, while barefoot, while hands are wet or while in the rain or snow. Electric shock may result.
- **Ground fault circuit interrupter.** Always use a ground fault circuit interrupter (GFCI) protected extension cord (or outlet, if generator is equipped) in damp or highly electrical conductive areas and on construction jobsites to prevent electrical shock.
- **Avoid contact.** Avoid contact with bare wires, terminals, connections, etc. while the unit is running.
- **Electric shock accident.** If an electric shock accident occurs, immediately shut down the source of electrical power. If this is not possible, attempt to free the victim from the live conductor. Avoid direct contact with victim. Use a nonconducting implement, such as a dry rope or board, to free the victim from the live conductor. Apply first aid and get immediate medical help.
- **Smoking/sparks.** Never smoke near the running generator, and never operate near sources of sparks or flames.
- **Hot muffler.** Never touch hot muffler, hot exhaust manifold, or engine cooling fins. Exhaust and engine parts can be very hot and will burn you.
- **Moving parts.** Keep hands, feet, and apparel away from drive belts, fans, and other moving parts. Never remove any drive belt or fan guard while the unit is operating.

Operation (cont'd)

Static electricity and filling the gasoline tank:

Static electricity can initiate from ungrounded gasoline tanks or containers, from flowing gasoline, and from persons carrying a static electric charge

Static electricity can explosively ignite gasoline vapors that are present during the fueling process, resulting in serious burns to nearby persons. To avoid static electricity while fueling, certain steps must be followed before and during the fueling process in order to minimize and safely dissipate static charge build-up:

- ***Touch a grounded metal object before starting.*** Always dissipate static charge from your body before beginning the fueling process by touching a grounded metal object at a safe distance away from fuel sources.
- ***Use a portable container to fill tank.*** Never fill the generator's gas tank directly from the fuel pump – the generator's tank is not grounded and the high velocity flow of gasoline from a fuel pump can cause static electric build-up. Use an approved portable container to transfer gasoline to the generator's tank.
- ***Fill container on the ground.*** Never fill the portable gas container while it is sitting inside a vehicle, trailer, trunk, or pick-up truck bed. ALWAYS place container on the ground to be filled.
- ***Keep nozzle in contact with container.*** Keep nozzle in contact with the portable container at all times while filling. Manually control the flow of gasoline; do NOT use the nozzle's lock-open device.
- ***Use a portable container made of metal or conductive plastic.*** It will dissipate charge to ground more readily.

About static electricity and fueling

Many common objects can accumulate and retain a static electric charge. Objects made of non-conductive materials (e.g. plastics) easily accumulate and retain static electric charge, as can objects made of conductive material (e.g. metal, water) if they are not electrically grounded. The static electric charge on an object, such as a human body or plastic fuel tank/container, can reach as high as several thousand volts!

A static electric spark can be generated if the static electric charge stored on an object "jumps" to another, less charged object. Such a spark can ignite invisible gasoline vapors that are present during fueling situations.

Typical sources of static electric hazards during fueling

The following objects can accumulate a static electric charge and cause an ignition spark in typical fueling situations:

- 1) **Ungrounded tanks/containers.** Any ungrounded fuel tank or container can accumulate a static electric charge as a result of contact with other objects or friction during transportation. This static electricity can discharge as a spark to the grounded gasoline dispenser nozzle, as the nozzle is first brought close to the tank/container at the beginning of the fueling process.
- 2) **Flowing gasoline.** Most people are not aware that gasoline accumulates static electric charge while flowing through a hose or pipe. This charge then transfers to and accumulates in the gas tank or container that is being filled. The total amount of charge accumulation depends on the amount of gas pumped into the container, the speed with which it is pumped, and whether or not the tank/container is grounded. If sufficient static electric charge accumulates in the fuel tank or container during the fueling process, the tank/container may discharge a spark to the grounded gasoline dispenser nozzle.
- 3) **Persons.** A person dispensing the gasoline can carry a static electric charge on their body, typically resulting from contact with their car seat or electronics. The static electricity can discharge as a spark between that person's hand and either the grounded dispenser nozzle or the fuel tank opening.

Operation (cont'd)

2. Preparing for Operation	
Position generator	<p>Position generator in accordance with the instructions given in “Installation & Initial Set-up, Step 5: Select a Suitable Site” of this manual.</p> <p>Operate outside only, on dry, level ground with adequate clearance and ventilation.</p> <p>⚠ WARNING: Carbon monoxide poisoning hazard Generators give off carbon monoxide exhaust, a poisonous gas that can kill. You CANNOT smell it, see it, or taste it. ONLY run generator OUTDOORS and away from air intakes. NEVER run generator inside any enclosed or semi-enclosed spaces, including homes, garages, basements, sheds, boxes, pick-up truck beds, RVs, or boats. These spaces can trap poisonous gases, EVEN if you run a fan or open windows. <i>Carbon monoxide exhaust is given off whether you are using gasoline, natural gas, or propane to power the generator.</i></p>
Ground generator	<p>Make sure the generator is grounded in accordance with instruction given in “Installation & Initial Set-up, Step 6: Grounding the Generator” of this manual.</p> <p>⚠ WARNING: Electric shock hazard Always ensure generator is properly grounded to prevent electrical shock.</p>
Perform scheduled maintenance as needed	<p>Make sure that any regular maintenance has been performed as prescribed in this manual in the “Maintenance & Repair” section.</p> <ol style="list-style-type: none"> 1. Refer to the engine owner’s manual for engine maintenance instructions. 2. Make sure battery is charged. Charge as needed according to your battery manufacturer’s instructions.
Check/add oil	<p>Check the oil level using the dipstick and add oil as needed.</p> <p>Using a funnel, add oil up to the FULL mark on the dip stick with the recommended oil type for your engine and expected ambient conditions. (See engine Owner’s Manual for oil type and capacity, and more detailed oil check/fill instructions.)</p> <p>⚠ WARNING: Burn hazard Never open oil port while engine is running. Hot oil can spray over face and body.</p> <p><i>Notes:</i></p> <ul style="list-style-type: none"> ○ <i>Low oil shutdown feature prevents the generator from starting without sufficient oil.</i> ○ <i>Engine is shipped <u>without</u> oil. You must add oil before first use.</i> <p>IMPORTANT: Under long, continuous-run operating conditions, be prepared to:</p> <ul style="list-style-type: none"> • Check engine oil level every time you refuel the engine if using gasoline, or every 24 operating hours if using NG/LPG. • Change oil after the first 20 operating hours, and at least every 100 operating hours thereafter, or as directed in engine owner’s manual.

Operation (cont'd)

Fill gasoline tank (if using gasoline)

Check the gasoline level in the generator's tank if you will be operating the generator on gasoline.

If needed, fill tank with fresh unleaded gasoline from a portable container, after first reading the warnings and instructions below.

⚠ WARNING: Gasoline fire/explosion hazard

Gasoline is highly flammable and explosive. Heat, sparks, and flames can ignite gasoline vapors, which can become widespread during fueling. A flash fire and/or explosion could result and cause serious injury or death. Use extreme care when handling gasoline. Carefully follow all the instructions in this section to avoid the following conditions which could result in gasoline ignition:

- gas vapor collection inside enclosures
- static electric sparks
- sparks from electric wiring, batteries, or running engines
- sources of heat (such as a hot engine or exhaust)
- open flames, including pilot lights

1) Before starting, review the following general safety precautions for fueling:

- a) Never pump gasoline directly into the generator's gas tank at a gas station – high velocity flow from the pump could result in a static electric build-up in the generator's tank. Always use a portable container to fill the tank. *See warning box about static electric spark hazards below.*
- b) Fill gasoline tank **OUTDOORS** – never indoors.
- c) Stay away from all sources of heat, sparks, and flames. Do not smoke.

2) Turn generator engine off and allow to cool for at least two minutes before removing gas cap.

Note: A running or still-hot engine is hot enough to ignite fuel.

3) Remove generator gasoline cap.

4) Add gasoline through the fill opening:

- Use only a UL-approved portable gasoline container to transfer the gasoline to the generator's tank. Follow the safety warning and instructions below for avoiding static electric sparking.
- Do NOT overfill the gasoline tank. Allow at least 1/2" of empty space below the fill neck to allow for fuel expansion.

⚠ WARNING: Static electric spark hazard

A static electric spark can explosively ignite gasoline vapor, resulting in a flash fire that could cause serious injury or death.

To avoid static electric sparking while filling the gasoline tank, **the following steps must be followed to minimize and safely dissipate static electric charge build-up before and during the fueling process:**

Operation (cont'd)

	<ul style="list-style-type: none"> • Always dissipate static charge from your body before beginning the fueling process by touching a grounded metal object at a safe distance from fuel sources. • Never fill the generator's gas tank directly from the fuel pump – the generator's tank is not grounded and high velocity flow from the pump can cause static electricity build-up. Use an approved portable container to transfer gas to the generator's tank. • Never fill the portable gas container while it is sitting inside a vehicle, trailer, trunk, or pick-up truck bed. ALWAYS place container on the ground to be filled. • Keep nozzle in contact with portable container while filling. Manually control the flow of gasoline; do NOT use nozzle's lock-open device. • A portable container made of metal or conductive plastic is preferred because it dissipates charge to ground more readily. <p>5) Clean up gasoline spills /splashes immediately.</p> <ul style="list-style-type: none"> • If possible, move the generator away from spilled gasoline on the ground. • Wipe up spilled gasoline, and wait 5 minutes for excess gasoline to evaporate before starting engine. • Gasoline soaked rags are flammable and should be disposed of properly. • If gasoline is spilled on your skin or clothes, change clothes and wash skin immediately. <p>6) Replace gasoline cap securely before starting engine.</p> <p>7) Store extra gasoline in a cool, dry place in an UL-approved, tightly sealed container.</p> <p>IMPORTANT: For continuous operation, be prepared to check and refuel the engine on a regular basis. A tank of gasoline should last about 4 hours under 100% load, and about 8 hours under 50% load.</p>
<p>Start LPG/NG supply (if using)</p>	<p><u>Propane (LPG):</u></p> <ol style="list-style-type: none"> 1) Make sure the fuel hose is securely connected to the propane tank regulator on one end, and the 3/4" NPT gas inlet on the generator base on the other end. 2) Open the propane tank main valve. 3) Check 3/4" NPT gas inlet connection for leaks each time you connect. Use the leak test method described below. <p><u>Natural Gas:</u></p> <ol style="list-style-type: none"> 1) Make sure the gas line is securely connected to the 3/4" inlet on the generator base. 2) Open line valve, if gas line is so equipped. 3) Check 3/4" NPT gas inlet connection for leaks each time you connect. Use the leak test method described below.

Operation (cont'd)

<p>Inspect Fuel System / Check for Leaks</p>	<p>Inspect fuel system & check for leaks BEFORE starting generator. Do not start generator until all needed repairs have been completed.</p> <p>⚠ WARNING: Fuel leak hazard Gasoline, LP gas (propane) and NG (natural gas) are highly explosive and fuel leaks can result in fire or explosions. You can be burned and seriously injured if the fuel system is not properly hooked up or there is a fuel leak when you start the engine.</p> <ol style="list-style-type: none"> 1) Inspect the entire fuel system. <i>Look for:</i> Signs of leaks or deterioration, chafed or spongy fuel hose, loose connections, loose or missing fuel hose clamps, a damaged gasoline tank, or a defective gasoline shut-off valve. 2) If you are using LPG or NG, check for leaks after opening supply valve: <ol style="list-style-type: none"> a) <u>Leak test method.</u> Test for leaks on a regular basis by applying a soap and water solution over pipes, hoses, and connections. Soap bubbles will form if there is a leak. Use this method to test after each reconnection to NG/LPG supply (for example, after moving the generator), and on a regular basis thereafter. This method will help you detect small leaks. b) Also beware of gas odor. Both LP and NG have an odorant added (rotten egg/sulfur smell) that will aid in the detection of more dangerous quantities of leaking gas. Note: <ul style="list-style-type: none"> • <u>Natural gas.</u> Natural gas is lighter than air and tends to collect in high areas. • <u>LP gas (propane).</u> LP gas is heavier than air and tends to settle in low areas. Smell next to floor for gas. <p>If you smell gas, DO NOT start engine! DO NOT light a match. DO NOT flip on an electrical switch. If possible, shut off LPG or NG supply. Exit area immediately and call gas supplier or fire department.</p>
<p>Personal Protection</p>	<ol style="list-style-type: none"> 1) Hearing can be damaged from prolonged, close-range exposure to the type of noise produced by this generator. The use of ear plugs or other hearing protection device is recommended for persons working within 15-20 feet of the running generator for an extended period of time. 2) Loose or dangling apparel can become entangled in moving parts. Metal jewelry can conduct electricity. Never wear jewelry or loose-fitting clothing when starting or operating the generator.

Operation (cont'd)

3. Starting the Engine

After you have completed the pre-start checklist procedures, you are ready to start the engine.

The following directions detail how to start the engine with either LP/NG or Gasoline as the fuel source:

Using LP/NG

To start engine using LP or Natural Gas:

⚠ WARNING:

DO NOT start engine if you smell gas. Exit area immediately and call gas supplier or fire department. If possible, shut off gas supply.

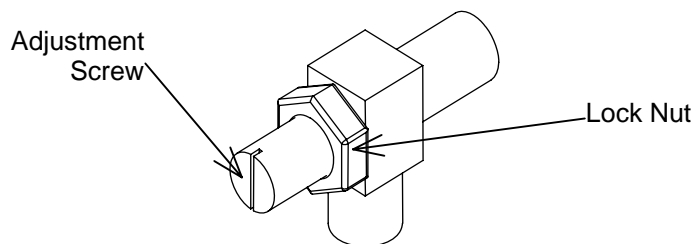
- 1) Disconnect all loads to the generator.
- 2) Flip fuel selector switch to the LP/NG position.
- 3) Start the engine:
 - a) Using electric start -
Turn the engine key switch to the START position and hold it there until the engine starts. When the engine starts, release the key, allowing it to return to the ON position.
 - b) Using recoil start -
Turn the engine key switch to the ON position. Pull the starter grip lightly until you feel resistance, then pull the starter cord out briskly and rapidly. Allow starter cord to return slowly.

*Note: You must have the **battery hooked up** for recoil starting when using LP/NG. The LP/NG fuel system requires a battery to function.*

- 4) It may be necessary to momentarily depress the primer button while starting the engine, especially for cold starts.

NOTE: If you have trouble starting the engine with LP/NG, you may need to adjust the load block:

- a. Loosen the lock nut, then turn the adjustment screw clockwise until resistance is felt. At this point the load block is completely shut-off.



- b. While LP or NG is being supplied to the generator, turn the ignition key to the start position and slowly turn the adjustment screw counterclockwise until the engine starts. (Depress the primer button when cold starting the engine.)
- c. Once the engine is running, turn the adjustment screw very slowly to smooth out engine performance.
- d. Once the proper setting is achieved turn the brass lock nut to secure the adjustment screw.

Operation (cont'd)

- 5) Under long, continuous-run operating conditions, be prepared to:
 - a) Check engine oil level every 24 operating hours,
 - b) Change oil after the first 20 operating hours, and at least every 100 operating hours thereafter, as directed in the engine owner's manual.



WARNING:

Never open oil port while engine is running. Hot oil can spray over face and body.

Using Gasoline

To start engine using gasoline:

- 1) Disconnect all loads to the generator.
- 2) Flip the fuel selector switch to the GASOLINE position.
- 3) Turn the gasoline line valve to the ON position.
- 4) For cold engine, move choke lever to full choke position. To restart a warm engine, move choke lever to half choke or to RUN position.
- 5) Start the engine:
 - a) Using electric start –
 - i) Turn the engine key switch to the START position and hold it there until the engine starts.

NOTE: If the engine fails to start after 5 seconds, release key and wait 10 seconds before attempting to start again. Cranking the electric starter for more than 5 seconds continuously can overheat and damage the starter motor.
 - ii) Release the key when the engine starts.
 - b) Using recoil start –
 - i) Turn the engine key switch to the ON position.
 - ii) Pull the starter grip lightly until you feel resistance, then pull the starter cord out briskly and rapidly.
 - iii) Allow starter cord to return slowly.
- 6) When engine starts, move choke lever to RUN position.
- 7) Under long, continuous-run operating conditions, be prepared to:
 - a) Check and refuel the engine on a regular basis. A tank of gas should last about 4 hours under 100% load, and about 8 hours under 50% load. See engine owner's manual for more detail.



WARNING:

A running engine is hot enough to ignite fuel. Never add fuel or remove gas cap if engine is running or still hot. Let cool at least 2 minutes.

- b) Check engine oil level each time you refuel.
- c) Change oil after the first 20 operating hours, and at least every 100 operating hours thereafter, as directed in the engine owner's manual.



WARNING:

Never open oil port while engine is running. Hot oil can spray over face and body.

Operation (cont'd)

4. Checking Generator Output

Although the speed of the engine was carefully adjusted at the factory so that the generator produces the proper voltage and frequency, **output voltage should be checked periodically to ensure the generator is working properly before connecting loads to the generator.**

⚠ WARNING:

The generator must be run at the correct speed in order to produce the proper electrical voltage and frequency. Failure to do so could result in damage to equipment powered by the generator and possible injury to the individual.

Output voltage should be checked with a portable voltage meter:

1. Start engine and allow to warm up for five minutes. Do not connect any loads.
2. Use voltage meter to check output voltage at the generator's outlets/receptacles.
3. Measured voltage should be within the following ranges:
 - a. 120V +/- 10% at 120V receptacles.
 - b. 240V +/- 10% at 240V receptacles.
4. If measured voltage is not within the specified range, have generator adjusted by factory authorized personnel. Do not attempt to adjust the engine speed yourself.

NOTE:
Slight variation in voltage/speed with changing electrical loads

All engines have a tendency to slow down when a load is applied. When electrical loads are connected to the generator, the engine is more heavily loaded and as a result the speed drops slightly.

This slight decrease in speed, together with the voltage drop within the generator itself, results in a slightly lower voltage when the generator is loaded to its full capacity than when it is running with no load.

Additionally, there may be small brief surges and drops in voltage as motors connected to the generator cycle on or off.

The slight variation has no appreciable effect in the operation of motors, lights, and most appliances.

Operation (cont'd)

5. Connecting Loads

You will want to be careful when connecting loads so as not to overload the generator, especially if you are powering devices with motors that require a higher starting power load.

Instructions are provided below for connecting loads when you are using the generator:

- As a portable power source
- Connected to a building as a back-up power source



WARNING:

Do not overload generator. Make sure that combined starting and running loads do not exceed rated capacity of generator. Overloading the generator can cause damage to the generator and attached electrical devices, and may result in fire.

Using as a Portable Power Source

Connect electrical loads one at a time according to the following instructions:

1. Allow engine to reach operating speed by allowing it to warm up for approximately 5 minutes before connecting electrical devices.
2. After engine is warmed up, begin by connecting the items that require the highest wattage first. The recommended sequence is as follows:
 - a. Connect items with motors such as refrigerators, freezers, air conditioners, or small hand tools, one at a time. Let each motor stabilize before connecting the next device.
 - b. Connect any lights you are planning on powering.
 - c. Connect voltage sensitive equipment such as electronics via surge protectors. Plug devices such as TV's, computers, and microwaves into a UL listed voltage surge protector, then plug the surge protector into the generator.

Using as a Back-up Power Source for a Building

Each transfer switch installation will be unique.

Proper instructions for how to safely bring the generator online with the building's electrical system should be provided by the installing electrician, who should also provide personal instruction to the owner/operator.

Failure to follow the proper procedure as provided by the electrician could expose persons to the hazards noted above.

Operation (cont'd)

6. Switching Fuels (during operation)

You can switch fuel sources (from gasoline to LP/NG, or from LP/NG to gasoline) while the generator is running. Follow the instructions below:

Switching from LP/NG to Gasoline

1. Disconnect all loads to the generator. Leave the engine running.
2. Turn the gasoline line shut-off valve to ON position.
3. Flip the fuel selector switch to the GASOLINE position.

Switching from Gasoline to LP/NG

1. Disconnect all loads to the generator. Leave the engine running.
2. Make sure LP or NG fuel is properly connected to $\frac{3}{4}$ " NPT supply inlet and is being supplied.
⚠ WARNING:
If you smell gas, turn off engine and shut off gas supply immediately. Exit area and call gas supplier or fire department.
3. Flip the fuel selector switch to the NONE position. The fuel conversion should take 1-2 seconds.
4. Wait for the engine to begin sputtering. This indicates the engine is being starved of gasoline.
5. Flip the fuel selector switch to the LP/NG position.
6. Turn the gasoline line shut-off valve to OFF position.

7. Stopping

Stop the engine using the following steps:

1. Disconnect all loads to the generator.
2. Turn engine key switch to OFF position.
3. Turn gasoline line shut-off valve to OFF position.
4. The fuel lock-off solenoid automatically stops the flow of LP or NG to the engine.
5. Remove key from starter to prevent accidental starting of engine.

Operation (cont'd)

8. Storage & Exercise

When you are finished using the generator, you must:

- Disconnect all loads
- Shut off fuel supply
- Store the generator properly
- Plan on exercising the engine regularly unless the generator is prepared for long-term storage.

Detailed instructions are provided below.

Disconnect loads & turn off fuel supply

When you are finished using the generator, disconnect all loads and turn off all sources of fuel supply:

1. Make sure all devices that were connected to the generator's outlets are disconnected.
2. Check to be sure gasoline line shut-off valve is in OFF position.
3. If using propane, shut off propane tank valve.
4. If applicable, shut off natural gas line valve.

Cool engine before storing

Let engine cool for at least five minutes before storing. A hot engine can be a fire hazard.

Choose a storage location

Store the generator in a location that is:

- Clean and dry
- Away from sources of heat, open flames, sparks, or pilot lights, even if the generator's fuel tank is empty. Residual fuel in the tank could ignite.
- Away from extreme high or low temperatures.

Note: Do not store with battery charger always connected. Batteries that are over-charged can boil themselves dry and produce excessive amounts of hydrogen, an explosive gas.

Prevent accidental starting

Remove key from starter (for electric start engines) and secure key in a safe location, or remove spark plug(s) in order to ensure the generator cannot be started accidentally in a storage location or by untrained persons.

Exercise generator every 4 weeks

The generator should be exercised regularly.

At least every four weeks, start the engine and let it run for 10 to 15 minutes with a small load plugged in, such as a lamp or fan.

Monthly exercising of the generator will:

- Dry out any moisture that has accumulated in the windings. If left, this moisture can cause corrosion in the winding.
- Ensure that the unit is operating properly should it be needed in an emergency.

Operation (cont'd)

Perform regular maintenance	Perform periodic maintenance as directed in this manual to keep the generator in safe working condition.
Prepare engine for long term storage if needed	<p>If you will not be able to exercise the generator regularly, you must prepare the engine for long term storage to prevent gum deposits from forming and causing malfunction of the engine.</p> <p>Prepare engine for long term storage by:</p> <ul style="list-style-type: none"> ○ Removing all gasoline from the tank and carburetor <p style="text-align: center;"><u>OR</u></p> <ul style="list-style-type: none"> ○ Adding fuel stabilizer to the gasoline (following manufacturer's instructions) <p style="text-align: center;"><u>Fuel stabilizer steps:</u></p> <ol style="list-style-type: none"> 1. Ensure gasoline tank is full. 2. Add fuel stabilizer to fuel tank. 3. Run engine at least 10 minutes after adding stabilizer to allow it to enter the fuel system. 4. Shut off engine 5. Disconnect spark plug wire and remove spark plug 6. Add one teaspoon oil through spark plug hole 7. Place rag over spark plug hole and turn starter (or pull the recoil) a few times to lubricate the combustion chamber. 8. Replace spark plug, but do not reconnect the spark plug wire.

Maintenance & Repair

Inspect and maintain your generator as specified below in order to keep it in safe and optimal working order. Follow all safety rules and recommended maintenance steps.

WARNING

ALWAYS shut off the engine, disconnect the spark plug(s) and discharge the capacitor before cleaning, adjusting, or servicing the generator. Make sure all guards and shields are replaced before using.

Note: The generator head is brushless and maintenance free. The bearing is a heavy-duty sealed ball bearing which requires no maintenance or lubrication.

Maintenance & Repair

Follow safety rules	<p>Read and follow these safety rules whenever you will be servicing the generator:</p> <ul style="list-style-type: none"> • Turn off generator. Always turn off generator and remove spark plug(s) or spark plug wire(s) before working on the engine or generator to prevent accidental starting. • Discharge capacitor. When the generator is shut down, the capacitor may maintain a charge. Always discharge the capacitor before working on the generator head to prevent electrical shock. Discharge using a screwdriver with an insulated handle. While wearing safety glasses, touch opposite terminals of the capacitor together with the tip of the screwdriver. If there is stored charge in the capacitor, a spark will be generated thereby discharging the capacitor. • Replace guards. Make sure all guards and shields are replaced after servicing the generator. • Repair. Major service, including the installation or replacement of parts, should be performed only by a qualified electrical service technician. Obtain factory approved parts from NorthStar Product Support at 1-800-270-0810. • Replacement parts. If a part needs replacement, only use factory approved repair parts. Replacement parts that do not meet specifications may result in a safety hazard or poor operation of the generator and will void the warranty.
Perform engine maintenance	<p>Perform engine maintenance as specified in the engine owner's manual. Engine maintenance items include:</p> <ol style="list-style-type: none"> 1. Changing oil and oil filter 2. Air filter check/replacement 3. Spark plug cleaning and replacement 4. Fuel filter check/replacement 5. Fuel tank cleaning.
Check receptacles	<p>Check receptacles before each use to make sure they are not cracked or broken. If a receptacle is cracked or otherwise damaged, do not use until replaced with an authorized factory part. Using cracked or damaged receptacles can be both dangerous to the operator and destructive to the equipment.</p>

Maintenance & Repair (cont'd)

Inspect fuel system / check for leaks	<p>Inspect the fuel system and check for leaks on a regular basis.</p> <ol style="list-style-type: none"> 1) Inspect the entire fuel system. Look for: signs of leaks or deterioration, chafed or spongy fuel hose, loose connections, loose or missing fuel hose clamps, damaged gasoline tank, or defective gasoline shut-off valve. 2) If you are using LPG or NG, test for leaks. After opening LPG/NG supply valve, apply a soap and water solution over pipes, hoses, and connections. Soap bubbles will form if there is a leak. Use this method to test after each reconnection to NG/LPG supply (such as after transporting generator), and on a regular basis thereafter.
Check GFCI (if equipped)	<p>Once a month, test the Ground Fault Circuit Interrupter (GFCI) to protect against electrical shock due to failure of the GFCI. (Only for those models equipped with GFCI – See the “Specifications” section.)</p> <p><u>To test the GFCI:</u></p> <ol style="list-style-type: none"> 1. Depress the TEST button. The RESET button should extend from the receptacle. If the RESET button does not extend, contact NorthStar for replacement parts. 2. Restore power to the GFCI by firmly pressing the RESET button back into the receptacle until an audible click is heard.
Clean & inspect spark arrestor (if equipped)	<p>Clean and inspect the spark arrestor muffler. (Only for those models equipped with a spark arrestor – See the “Specifications” section.)</p> <p>If the engine is equipped with a spark arrestor muffler, clean and inspect it regularly (follow manufacturer’s service instructions). Replace if damaged.</p>
Keep generator clean	<p>Keep generator clean.</p> <p>If dust or debris accumulates on the generator, clean the generator with a damp cloth or soft bristle brush. Do not allow air intakes to become blocked.</p> <p><u>Note:</u> Do not spray generator with a garden hose or pressure washer. Water may enter the generator and cause damage to the rotor, stator, or internal windings.</p>
Recharge and maintain battery (if electric start)	<p>Inspect, recharge, and maintain your battery according to your battery manufacturer’s instructions. (Only for those models equipped with electric start.)</p> <p>Do not store with battery charger always connected. Batteries that are over-charged can boil themselves dry and produce excessive amounts of hydrogen, an explosive gas.</p>

IMPORTANT:

If a part needs replacement, only use parts that meet the manufacturer’s specifications. Replacement parts that do not meet specifications may result in a safety hazard or poor operation of the generator.

**Contact NorthStar Product Support at 1-800-270-0810
for any questions, problems, or parts orders**

Troubleshooting

TROUBLESHOOTING		
<u>Problem</u>	<u>Possible Causes</u>	<u>Possible Remedies</u>
Engine will not start.	<ul style="list-style-type: none"> a) Low oil level. b) Fouled spark plug. c) Out of fuel. d) Stop switch in OFF position. e) Battery disconnected or dead. f) Fuel selector switch is OFF position. 	<ul style="list-style-type: none"> a) Fill crankcase to proper oil level. b) Clean or replace spark plug. c) Fill fuel tank. d) Place switch in ON position. e) Charge or replace battery. f) Place switch in desired location (Gasoline or LP/NG).
Voltage too low.	<ul style="list-style-type: none"> a) Engine speed too slow. b) Generator is overloaded. 	<ul style="list-style-type: none"> a) Bring generator to a qualified technician for adjustment. b) Reduce the load. (See Power Load Planning & Mgt. section of this manual.)
Circuit breaker trips.	<ul style="list-style-type: none"> a) Defective load connected to generator. b) Defective receptacle. c) Generator overloaded. 	<ul style="list-style-type: none"> a) Disconnect load. b) Replace receptacle. c) Reduce the load. (See Power Load Planning & Mgt. section of this manual.)
Voltage too high.	<ul style="list-style-type: none"> a) Engine speed too high. 	<ul style="list-style-type: none"> a) Bring generator to a qualified technician for adjustment.
Generator overheating.	<ul style="list-style-type: none"> a) Generator is overloaded. b) Insufficient ventilation. 	<ul style="list-style-type: none"> a) Reduce the load. (See Power Load Planning & Mgt. section of this manual.) b) Make sure there is at least 3 feet of clearance on all sides of generator.
No output voltage.	<ul style="list-style-type: none"> a) Defective load connected to generator. b) Broken or loose wire. c) Defective receptacle. d) Defective stator. e) Defective rotor. f) Defective capacitor. 	<ul style="list-style-type: none"> a) Disconnect load. b) Bring generator to a qualified technician for repair. c) Replace receptacle. d) Bring generator to a qualified technician for repair. e) Bring generator to a qualified technician for repair. f) Bring generator to a qualified technician for repair.
Engine lacks power or sputters.	<ul style="list-style-type: none"> a) Generator is overloaded. b) Dirty air filter. c) LP/NG hose is connected to the wrong carburetor inlet. d) Fouled spark plug. 	<ul style="list-style-type: none"> a) Reduce the load. (See Power Load Planning & Mgt. section of this manual.) b) Clean or replace air filter. c) For LP, the hose should be on the left inlet. For NG, the hose should be on the right inlet. d) Clean or replace spark plug.
Engine shuts down during operation.	<ul style="list-style-type: none"> a) Out of fuel. b) Low oil level. 	<ul style="list-style-type: none"> a) Fill fuel tank. b) Fill crankcase to proper oil level.
Engine will not start on gasoline.	<ul style="list-style-type: none"> a) Engine out of fuel. b) Engine cold. c) Vacuum hose is loose. 	<ul style="list-style-type: none"> a) Refuel engine. b) Choke engine. c) Reattach vacuum hose. Item 29 on Exploded View.
Engine will not start on LP or Natural Gas.	<ul style="list-style-type: none"> a) Load Block needs adjustment b) Battery is low on charge causing engine to crank at a lower rpm. c) Inlet fuel pressure is incorrect. d) Engine choke lever is in the choke position. e) Fuel lockoff valve upstream of the generator set is turned off. 	<ul style="list-style-type: none"> a) See page 8 of this manual. b) Recharge battery. c) Inlet fuel pressure should be within 7"-11" water column, or 4-6 oz. d) Move the choke lever to the open position. Never choke the engine when operating on LP or NG fuel. e) Open valve.
Engine sputters when switching from gasoline to LP or Natural Gas.	<ul style="list-style-type: none"> a) This is normal operation. 	<ul style="list-style-type: none"> a) Run the unit with the fuel switch in the NONE position for several seconds until the engine begins to hunt. Then move the switch to the LP/NG position.

Summary of Important Safety Information for Operation

This section provides a summary of the various safety procedures and measures that have been presented throughout the manual. Keep this summary handy and refer to it to refresh your memory about how to safely use your generator.

WARNING

Carefully read and make sure you understand the following safety information before using the generator. Improper use or maintenance of the generator can result in *serious injury or death* from *carbon monoxide poisoning, electric shock, fire/explosion, or burns*.

General

- **Read manual.** Read this Owner's Manual and the engine Owner's Manual completely before attempting to set-up and use the generator. Serious injury or death can result if safety instructions are not followed.
- **Instruct operators.** The generator owner must instruct all operators in safe generator set-up and operation. Do not allow anyone to operate the generator who has not read the Owner's Manual and been instructed on its safe use.
- **Adults only.** Only trained adults should set up and operate the generator. Do not let children operate.
- **Under the influence.** Never operate, or let anyone else operate, the generator while under the influence of alcohol, drugs, or medication.
- **Intended use.** Carefully read about and understand the intended use of this generator. Do not use for other purposes, as unforeseen hazards or equipment damage may result.

Prohibition Against Modifications

Never modify or alter the generator in any way. Modifications can create serious safety hazards and will also void the warranty.

- **Engine speed.** Never attempt to modify the engine speed setting. The engine speed is preset at 3600 RPM for safe and optimal performance of the generator. If speed needs adjusting, it must be done by factory-authorized personnel.
- **Fuel/exhaust system.** Never modify the exhaust system, fuel tanks, or fuel lines. Carbon monoxide poisoning, fire, or explosion could result.
- **Guards.** Do not operate generator unless all guards and cover shields, which prevent access to moving parts and pinch points, are in place. Failure to guard the power transmission mechanisms *may result in serious injury or death*.

Safety – Installation & Set-up

Battery Safety

Batteries are hazardous because they contain caustic acid, can emit explosive gases, and can cause electric shock. *Caution must be exercised when making connections to a battery to avoid shock and contact with the acid, and to prevent any sparking that could lead to an explosion.* Follow safety rules carefully when connecting battery to generator:

- **Eye/skin protection.** Always wear eye protection and protective clothing when connecting or disconnecting battery.
- **Sparks/Smoking.** Never smoke or work near sparks or other sources of ignition.
- **Electric shock.** Never touch both battery terminals at the same time with your hand or any non-insulated tools.
- **Connection/disconnection sequence.** ALWAYS connect and disconnect cables to the correct battery terminals in the proper sequence:
 - When CONNECTING the battery, connect the RED cable to the POSITIVE terminal FIRST.
 - When DISCONNECTING the battery, disconnect the BLACK cable from the NEGATIVE terminal FIRST
- **Acid/skin contact.** If battery acid contacts skin or clothing, flush immediately with water and neutralize with baking soda.

Summary of Important Safety Information for Operation (cont'd)

Installation / Initial Set-up Safety

- **Dry, level surface.** Situate generator on a dry, firm, level surface. Ensure generator sits level and will not slide or shift during operation. Block wheels if applicable.
- **Operate OUTSIDE only – dangerous carbon monoxide exhaust!** Generators give off carbon monoxide exhaust, a poisonous gas that can kill. You CANNOT smell it, see it, or taste it. ONLY run generator OUTDOORS and away from building air intakes. NEVER run generator inside homes, garages, sheds, or other semi-enclosed spaces. These spaces can trap poisonous gases, EVEN if you run a fan or open windows. Carbon monoxide is given off whether you are using gasoline, natural gas, or propane to power the generator.
- **No vehicle/marine use.** This generator is NOT designed or approved for use in vehicles or marine applications. Never run the generator inside RVs or other vehicles, on boats, or on pick-up truck beds.
- **Cooling ventilation.** The generator needs adequate, unobstructed flow of air to allow for proper cooling of engine and generator head. Situate so there is adequate clearance around generator to allow for cooling airflow. Do not allow debris to accumulate and block airflow.
- **Grounding.** Always ensure generator is properly grounded to prevent electrical shock. This generator is equipped with a grounding post. Always complete the grounding path from the generator to a copper pipe/rod driven into moist earth to a sufficient depth. Check with an electrician for local grounding requirements. If a licensed electrician installs the generator with a connection to your building's electrical circuit for use as a standby power system, grounding will be complete through the building's grounding system.
- **Isolate connection to building's electrical circuit.** Never plug the generator directly into a wall outlet. ANY connection to a building's electrical system MUST ISOLATE THE GENERATOR FROM UTILITY POWER via an UL-approved transfer switch installed by a licensed electrician in compliance with all applicable local building and electrical codes. If the generator is not isolated from the utility power system by such means, generator output will back feed into the utility power grid. This may result in injury or death to utility power workers or others who contact the lines during a power outage. It may also cause the generator to explode or cause fires when utility power is restored.
- **Natural gas hook-up.** Always consult with your gas utility company to determine installation requirements for a natural gas hook-up. In order to safely operate your generator, you may need either a higher or lower pressure than the standard delivery pressure provided to your building. You may need a pressure reducing regulator, or you may need elevated delivery pressure which would require changes to your natural gas service. All natural gas generator hook-ups should be completed by trained personnel from your natural gas utility company and inspected as required by your local building code.
- **LPG hook-up.** A qualified propane gas technician must set up the valve and hose connection between the propane tank and generator in accordance with all local regulations and electric code. Check with your local propane gas supplier.
- **Wet conditions.** Water conducts electricity. Do not operate generator where it is wet. Operate on a dry surface under an open, canopy-like structure.
- **CO alarms.** Ensure that working, battery-operated or battery back-up carbon monoxide alarms are used in any dwelling/structure that is in close proximity to the running generator.
- **Hot exhaust - fires.** Exhaust from engine can be extremely hot and cause fire. Position muffler at least 7' from combustible objects during operation.
- **Spark arrestor.** Equip engine with a spark arrestor if generator will be used near any ignitable forest, brush, or grassy land. See the "Specifications" section of this manual to determine if your generator is already equipped. Make sure you comply with applicable local, state and federal codes.
- **Fire extinguisher.** Keep a fire extinguisher rated "ABC" by the National Fire Protection Association nearby. Keep it properly charged and be familiar with its use.

Safety – Before Use

Know how to operate

- **Review safety rules.** Before each use of this generator, review the "Rules for Safe Operation." Failure to follow these rules may result in serious injury or death.
- **Know how to operate.** Be thoroughly familiar with all controls and with the proper use of the equipment. Know how to stop the generator quickly if needed.

Summary of Important Safety Information for Operation (cont'd)

Personal protective equipment

- **Hearing protection.** The use of ear plugs or other hearing protection device is recommended for those in close proximity to the generator while it is operating.
- **Loose / dangling.** Loose or dangling apparel can become entangled in moving parts. Metal jewelry can conduct electricity. Never wear jewelry or loose-fitting clothing when operating the generator.

Gasoline Safety

Gasoline is highly flammable and explosive. You can be burned or seriously injured when handling fuel. Use extreme care when handling:

- **Fuel outdoors.** Fill fuel tank outdoors – never indoors. Gasoline vapors can ignite if they collect inside an enclosure. Explosion can result.
- **Use approved container.** Never pump fuel directly into engine at gas station. Static charge can build and ignite fuel. Use an UL approved fuel container to transfer gas to the engine.
- **Running / hot engine.** A running engine is hot enough to ignite fuel. Never add fuel or remove gas cap if engine is running or still hot. Stop the engine and allow to cool at least two minutes before adding fuel.
- **Heat / flames / sparks.** Stay away from sources of heat, flame, or sparks while adding fuel.
- **Don't overfill.** DO NOT overfill the gas tank. Allow at least 1/2" of empty space below the fill neck to allow for fuel expansion.
- **Replace cap.** Replace gas cap securely before starting engine.
- **Spills.** Clean up fuel spills immediately. Move generator away from spilled fuel on the ground. Wipe fuel off engine and wait 5 minutes for excess fuel to evaporate before starting engine. Gas soaked rags should be disposed of properly.
- **On skin / clothes.** If gasoline is spilled on your skin or clothes, change clothes and wash skin immediately.
- **Inspect fuel system.** Check fuel system on a regular basis. Look for signs of leaks, deterioration, chafed or spongy fuel hose, loose or missing fuel hose clamps, damaged fuel tank, or a defective fuel shut-off valve. Do not start generator until needed repairs have been completed.
- **Gasoline storage.** Store gasoline in a cool, dry place in an UL-approved, tightly sealed container.

Propane & Natural Gas Safety

LP gas (propane) and natural gas are highly flammable and explosive. Even the slightest spark can ignite these fuels. You can be burned and seriously injured if the fuel system is not properly hooked up or there is a fuel leak when you start the engine.

- **Initial hook-up by qualified personnel.** Initial hook-up must be completed by qualified personnel from your natural gas company or propane supplier and inspected per local code.
- **Inspect regularly.** Inspect fuel system regularly for leaks. Do not start generator until leaks are repaired.
- **Smell for gas before starting the generator:**
 - Natural gas. Natural gas is lighter than air and tends to collect in high areas. After opening NG line supply, smell for gas BEFORE starting engine.
 - LP gas (propane). LP gas is heavier than air and tends to settle in low areas. After opening propane tank valve, smell next to floor for gas BEFORE starting engine.

If you do smell gas, DO NOT start engine. DO NOT light a match. DO NOT flip on an electrical switch. Exit area immediately and call gas supplier or fire department. If possible shut off gas supply.

Safety – During Use

- **Safety equipment / controls.** Always operate the generator with all safety covers, guards, and barriers in place and in good working order, and all controls properly adjusted for safe operation.
- **Know how to stop.** Be thoroughly familiar with proper use of the equipment and all generator controls, output receptacles, and connections. Know how to stop the generator quickly if needed.
- **Damaged.** Do not operate the generator with damaged, missing, or broken parts.
- **Check for gas leak before starting.** After opening gasoline valve or LP/NG line supply, smell for gas before starting engine. If you do smell gas, DO NOT start engine. DO NOT light a match. DO NOT flip on an electrical switch. Exit area immediately and call gas supplier or fire department. If possible shut off the LP/NG supply.

Summary of Important Safety Information for Operation (cont'd)

- **Carbon monoxide exhaust.** The running engine gives off carbon monoxide, a poisonous gas that can kill you. You CANNOT smell it, see it, or taste it. If you start to feel sick, dizzy, or weak while using the generator, shut off the engine and get to fresh air RIGHT AWAY. See a doctor. You may have carbon monoxide poisoning.
- **Other exhaust dangers.** This product contains or emits chemicals known to the State of California to cause cancer, birth defects or other reproductive harm. Avoid inhalation of exhaust.
- **Smoking/sparks.** Never smoke near the running generator, and never operate near sources of sparks or flames.
- **Check output voltage.** Check output voltage to ensure the generator is working properly before connecting loads to the generator. Failure to do so could result in damage to equipment powered by the generator and possible injury to the individual. Do not adjust output speed of engine to change voltage. If voltage is not within specified range, have generator repaired by factory authorized personnel.
- **Stabilize before connecting loads.** Start generator and let engine stabilize before connecting electrical loads.
- **Do not overload.** Do not overload the generator. Make sure that combined starting and running loads do not exceed rated capacity of generator or damage will result.
- **Protect sensitive electronics.** Some electronic equipment, such as computers and audio/video equipment, can be damaged by small fluctuations in the flow of power. Use a surge suppressor for any voltage-sensitive electronic equipment you will be powering with the generator.
- **Wet conditions.** Do not operate the generator or handle any electrical equipment while standing in water, while barefoot, while hands are wet or while in the rain or snow. Electric shock may result.
- **Ground fault circuit interrupter.** Always use a ground fault circuit interrupter (GFCI) protected extension cord (or outlet, if generator is equipped) in damp or highly electrical conductive areas and on construction jobsites to prevent electrical shock.
- **Electrical cords.** Use only UL-listed, outdoor-rated, three prong extension cords of the proper size. All extension and appliance cords must be in good condition and not worn, bare, frayed, or otherwise damaged. Use of inadequate or damaged electric cords can cause electric shock or fire.
- **Avoid contact.** Avoid contact with bare wires, terminals, connections, etc. while the unit is running.
- **Electric shock accident.** If an electric shock accident occurs, immediately shut down the source of electrical power. If this is not possible, attempt to free the victim from the live conductor. Avoid direct contact with victim. Use a nonconducting implement, such as a dry rope or board, to free the victim from the live conductor. Apply first aid and get immediate medical help.
- **Hot muffler.** Never touch hot muffler, hot exhaust manifold, or engine cooling fins. Exhaust and engine parts can be very hot and will burn you.
- **Moving parts.** Keep hands, feet, and apparel away from drive belts, fans, and other moving parts. Never remove any drive belt or fan guard while the unit is operating.
- **Refueling.** DO NOT refuel the engine until it has cooled at least two minutes.
- **Malfunction during operation.** Immediately turn off the generator if any of the following conditions arise during operation:
 - Excessive change in engine speed, slow or fast
 - Overheating in load connecting devices
 - Sparking or arcs from generator
 - Loss of electrical output
 - Receptacle damage
 - Engine misfire
 - Excessive vibration
 - Flame or smoke
 - Abnormal noise
- **Adjusting / repairing.** Always turn off generator and remove spark plug(s) or spark plug wire(s) before working on the generator to prevent accidental starting.

Summary of Important Safety Information for Operation (cont'd)

Safety – After use

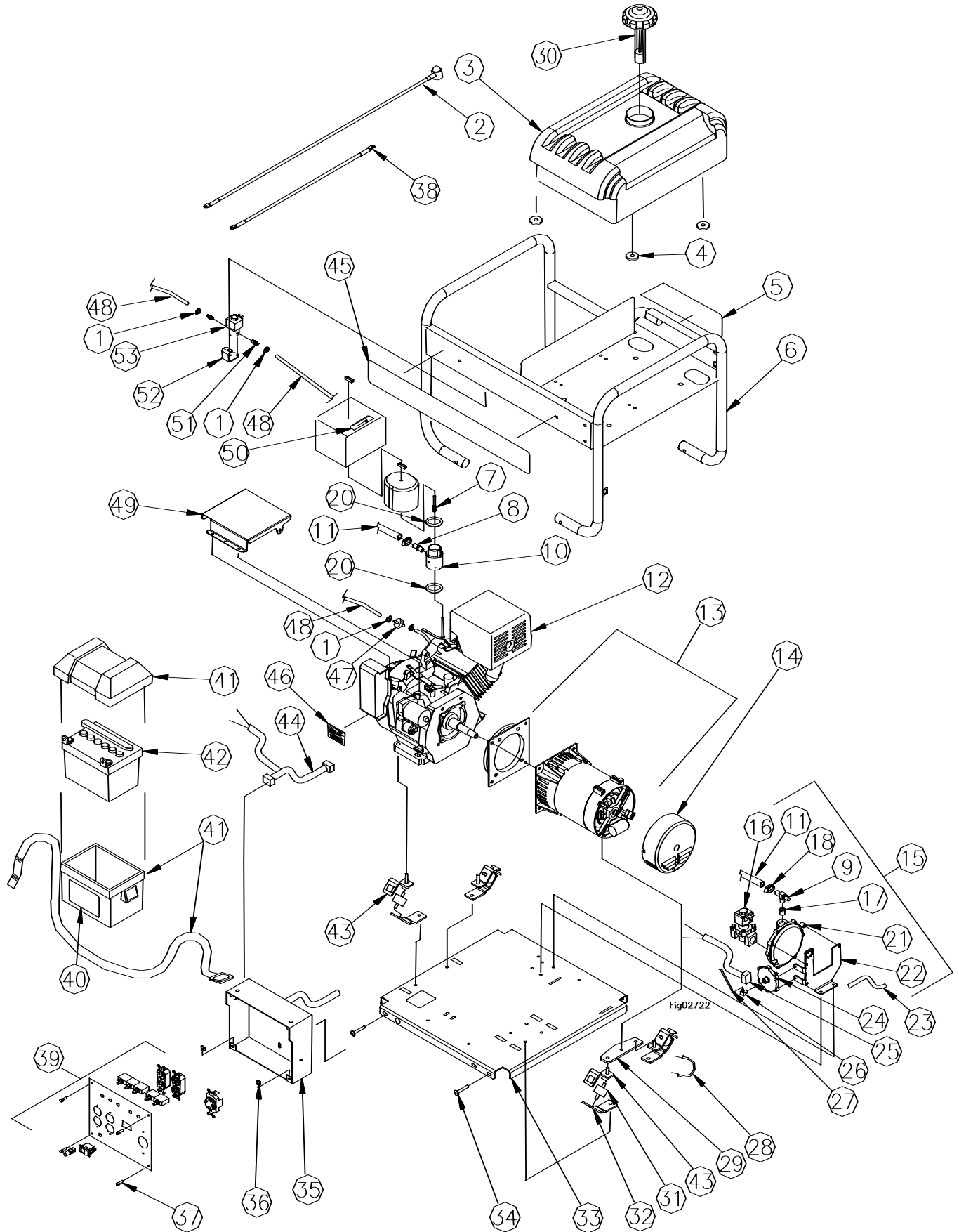
- **Cool engine before storing.** Let engine cool for at least five minutes before storing. A hot engine can be a fire hazard.
- **Shut off fuel supply.** Make sure gasoline shut-off valve is in the OFF position. Turn off propane tank valve or shut NG line valve, as applicable.
- **Prevent accidental starting.** When generator is not in use, remove key from starter (key start engines) and secure in a safe location, or remove spark plug(s) in order to ensure that generator cannot be started in a storage location or by untrained persons.
- **Storage location.** Store the generator in a dry location away from sources of heat, open flames, sparks or pilot lights – such as water heaters, space heaters, furnaces, clothes dryers, or other gas appliances – EVEN IF the generator's gas tank is empty. Residual gasoline could ignite.
- **Exercise regularly.** Exercise generator every four weeks to dry out moisture that accumulates in the windings. If generator cannot be exercised on a regular basis, prepare generator for long term storage.
- **Periodic maintenance.** Perform periodic maintenance as directed in this manual to keep the generator in safe working condition.

Safety - Inspection/Maintenance

Inspect and maintain your generator on a regular basis and repair as needed to keep it in safe working condition:

- **Turn off generator.** Always turn off generator and remove spark plug(s) or spark plug wire(s) before working on the engine or generator to prevent accidental starting.
- **Discharge capacitor.** When the generator is shut down, the capacitor may maintain a charge. Always discharge the capacitor before working on the generator head to prevent electrical shock.
- **Replace guards / shields.** Make sure all guards and shields are replaced after servicing the generator.
- **Replacement parts.** If a part needs replacement, only use parts that meet the manufacturer's specifications. Replacement parts that do not meet specifications may result in a safety hazard or poor operation of the generator and will void the warranty.

Generator Exploded View Rev- N



Generator Exploded View Rev- N

Diag #	Part #	Description	Qty
1	171410	Hose Clamp	5
2	777164	Positive Battery Cable	1
3	38759	Fuel Tank Assembly	1
4	30754	Leather Washer	4
5	779422	Decal	1
6	32833	Roll Cage	1
7	33482	6mm Stud and Coupler Nut	1
8	36298	Straight Hose Nipple	1
9	36297	Load Block	1
10	31770	Engine Adapter	1
11	32811	LP/NG Hose	22"
12	31335	Engine, GX390 Honda	1
13	778530	Generator	1
14	777304	Generator Cover	1
15	36300	Regulator Assembly	1
16	33319	LP/NG Fuel Lockoff	1
17	777338	3/8 X 1/4 Reducer	1
18	777119	1/2" Hose Clamp	2
19	32798	3/4" Pipe	1
20	35946	O-Ring	1
21	36825	Regulator	1
22	33435	Regulator Bracket	1
23	31708	3/8" Split Conduit	7"
24	31772	Vacuum Switch	1
25	32815	Wire Harness	1
26	32809	Elbow	1
27	32810	Vacuum Hose	22"
28	306459	Ground Wire	1
29	777621	Generator Base Bracket	1
30	33321	Fuel Cap	1
31	34172	Isolation Mount	4
32	32844	Lower Bracket	4
33	778483	Generator Base	1
34	82018	5/16-18 X 2 Hex Head Bolt	4
35	777305	Control Box	1
36	33277	Clip Nut, 10-32	4
37	32797	10-32 X .75 Screw	4
38	777108	Negative Battery Cable	1
39	38435	Control Panel Assembly	1
40	779396	Battery Decal	1
41	777352	Battery Box	1
42	31868	Battery (Not Included)	1
43	32848	Upper Bracket	4
44	31850	Wire Harness	1
45	779424	Warning Decal	1
46	33484	Nameplate	1
47	30755	Fuel Filter	1
48	777345	1/4" Fuel Line	15"
49	38184	Engine Cover	1
50	39260	Burn Warning	1
51	32813	1/4" NPT, 1/4" Hose Barb	2
52	777163	Gas Lockoff Bracket	1
53	777147	Gasoline Lockoff	1

Wiring Diagram Rev- N

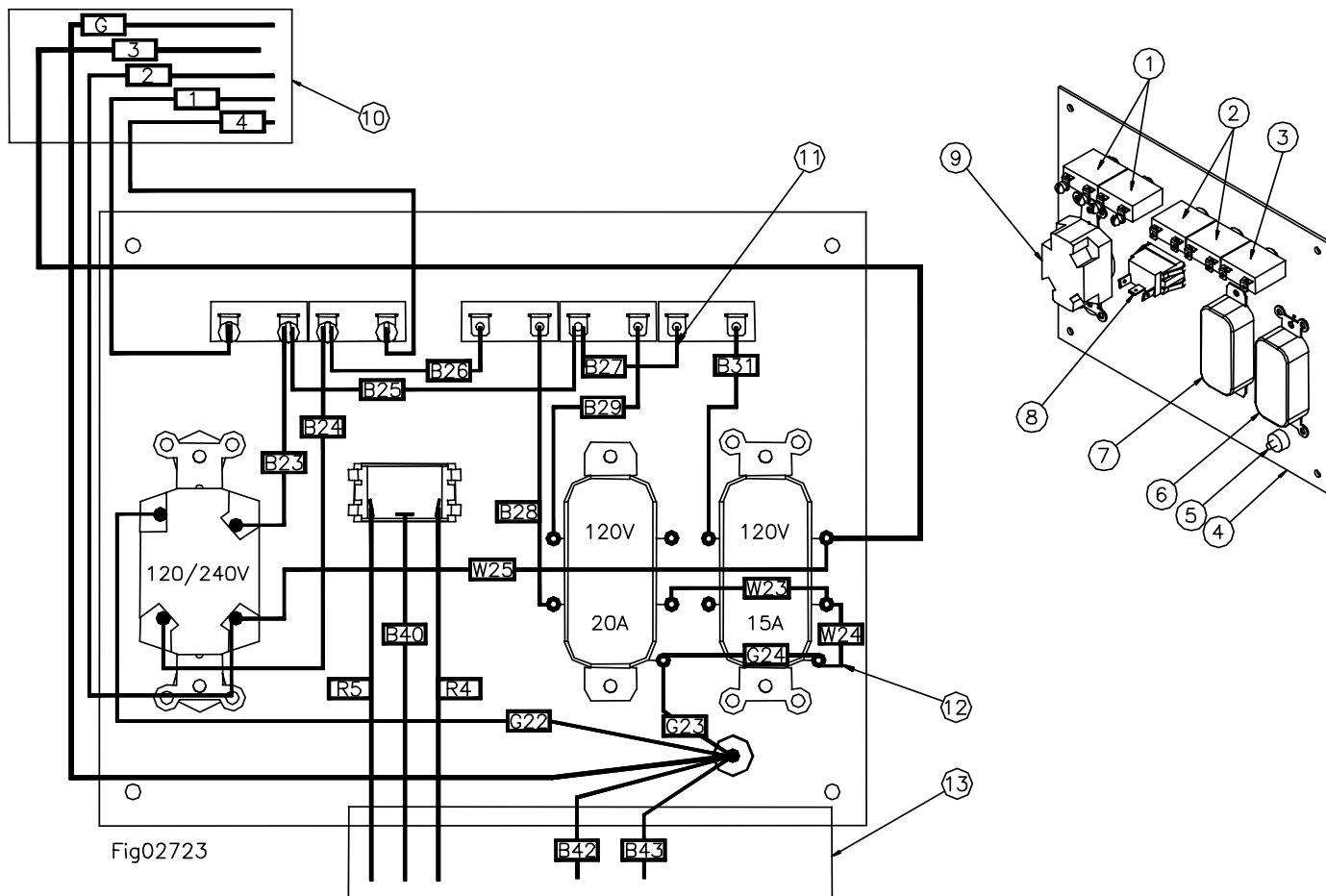
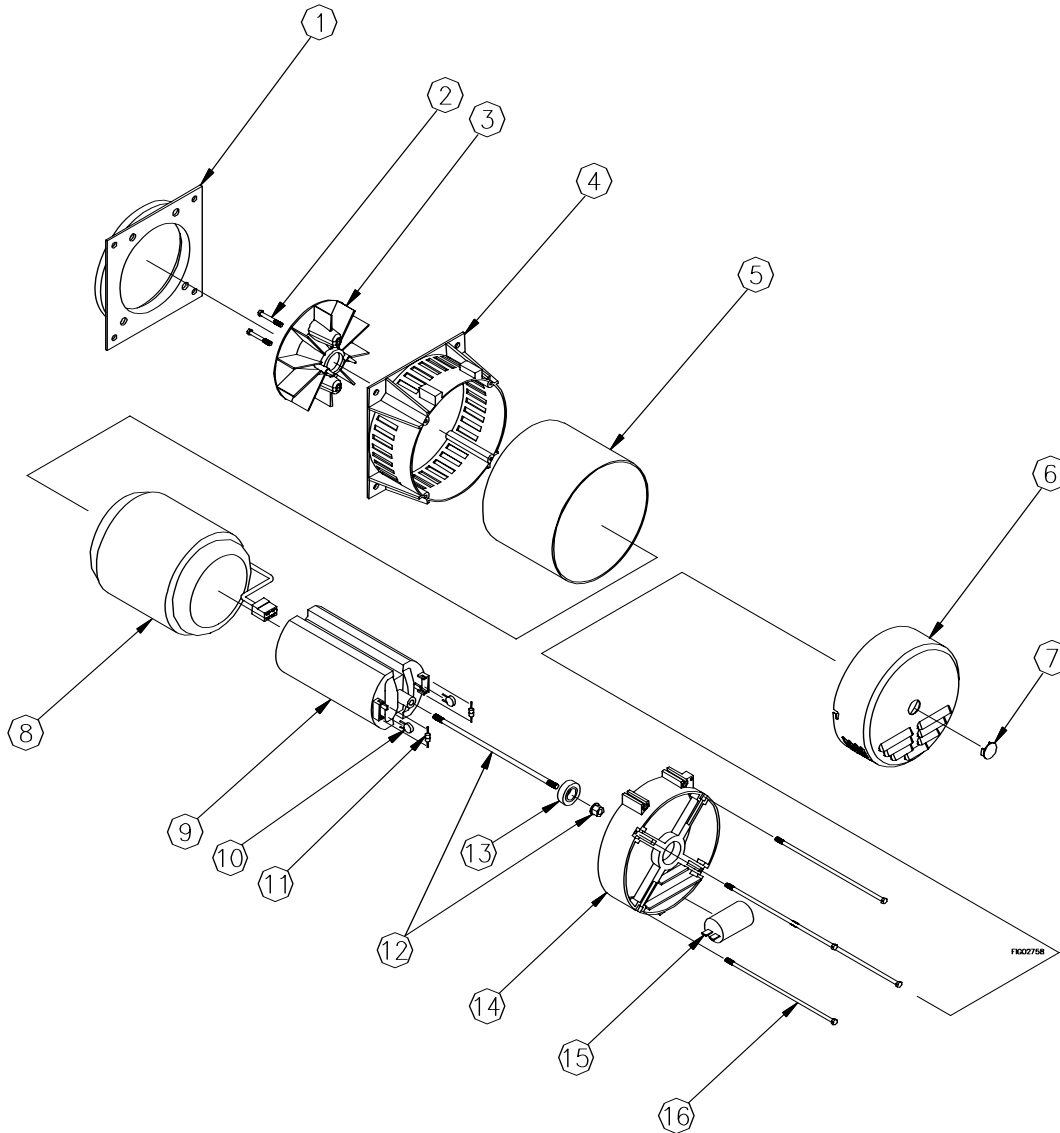


Fig02723

Diag #	Part #	Description	Qty
1	31086	Thermal Circuit Breaker, 30 Amp	2
2	30643	Thermal Circuit Breaker, 20 Amp	2
3	306433	Thermal Circuit Breaker, 15 Amp	1
4	30975	Control Panel Face	1
5	306429	Binding Post	1
6	306438	15 Amp, 120 Volt Receptacle (NEMA 5-15R)	1
7	31736	20 Amp, 120 Volt Receptacle (NEMA 5-20R)	1
8	31824	Switch	1
9	306422	30 Amp, 120/240 Volt Locking Device Receptacle (NEMA L14-30R)	1
10	38191	Wire Harness	1
11	31107	Wire Assembly	1
12	306604	Wire Assembly	1
13	38334	Wire Harness	1
B23	31106	Black Terminated Wire	1
B24	31108	Black Terminated Wire	1
B26	31109	Black Terminated Wire	1
B28	306599	Black Terminated Wire	1
B29	30660	Black Terminated Wire	1
B31	306601	Black Terminated Wire	1
G22	31823	Green Terminated Wire	1
W25	30977	White Terminated Wire	1

Generator Head Exploded View Rev- N



Item #	Part #	Description	Qty
1	779919	Mount Plate (J609B)	1
2	779556	Fan Bolts	2
3	779557	Fan	1
4	779920	Drive End Bracket	1
5	779786	Enclosing Band	1
6	777304	End Cover	1
7	38271	End Cover Plug	1
8	779787	Stator	1
9	779788	Rotor	1
10	307481	Varistor	2
11	779789	Diode	2
12	779790	Securing Stud + Nut	1
13	38276	Bearing	1
14	38278	Non Drive End Bracket	1
15	779791	Capacitor	1
16	779792	Bracket Securing Stud	4