

PARTS MANUAL



MODEL DLW-400ES MODEL DLW-400ESA MODEL WELDER/GENERATOR (KUBOTA V1305 DIESEL ENGINE)

Revision #1 (12/21/09)

To find the latest revision of this
publication, visit our website at:
www.multiquip.com



THIS MANUAL MUST ACCOMPANY THE EQUIPMENT AT ALL TIMES.

MQ DLW-400ES/ESA WELDER GENERATOR

Table Of Contents	2
Parts Ordering Procedures	3
Explanation Of Codes In Remarks Column	4
Suggested Spare Parts	5

COMPONENT DRAWINGS

Generator Assembly	6-7
Control Panel Assembly (DLW400ES)	8-9
Control Panel Assembly (DLW400ESA)	10-11
Electric Parts 1 Assembly	12-15
Electric Parts 2 Assembly	16-17
Engine and Radiator Assembly	18-21
Battery Assembly	22-23
Muffler Assembly	24-25
Fuel Tank Assembly	26-27
Enclosure Assembly	28-31
Rubber Seals Assembly	32-33
Nameplate and Decals	34-35

KUBOTA 1305-2B-WDDE-2/ 1305-3B-WDDE-2 ENGINES

Crankcase Assembly	36-37
Oil Pan Assembly	38-39
Cylinder Head Assembly	40-41
Gear Case Assembly	42-43
Head Cover Assembly	44-45
Oil Filter Assembly	46-47
Dipstick and Guide Assembly	48-49
Oil Pump Assembly	50-51
Main Bearing Case Assembly	51-52
Camshaft and Idle Gear Shaft Assembly	52-53
Piston and Crankshaft Assembly	54-55
Flywheel Assembly	56-57
Fuel Camshaft and Governor Shaft Assy.	58-59
Idle Apparatus Assembly	60-61
Stop Solenoid Assembly	62-63
Injection Pump Assembly	64-65
Governor Assembly	66-67
Speed Control Plate Assembly (1305-E2B)	68-69
Speed Control Plate Assembly (1305-E3B)	70-71
Nozzle Holder and Glow Plug Assembly	72-73
Nozzle Holder(CP) Assembly (1305-E2B)	74-75
Nozzle Holder(CP) Assembly (1305-E3B)	76-77
Fork Lever (Governor) Assembly	78-79
Fuel Filter Assembly	80-81
Fuel Pump (Mechanical) Assembly	82-83
Dynamo and Pulley Assembly	84-85
Dynamo (CP) Assembly	86-87
Starter Assembly	88-89
Starter (CP) Assembly	90-91
Oil Switch and Plug Assembly	92-93
Water Flange and Thermostat Assembly	94-95
Water Pump Assembly	96-97
Water Pipe Assembly	98-99
Fan Assembly	100-101
Valve and Rocker Arm Assembly	102-103
Inlet Manifold Assembly	104-105
Exhaust Manifold Assembly	106-107
Glow Plug/Glow Lamp and Timer Assembly	108-109
Starter Switch Assembly	110-111
Accessories	112-113

Terms and Conditions Of Sale — Parts	114
--------------------------------------------	-----

PARTS ORDERING PROCEDURES

Ordering parts has never been easier! Choose from three easy options:

Effective:
January 1st, 2006

www.multiquip.com



Order via Internet (Dealers Only):

Order parts on-line using Multiquip's SmartEquip website!

- View Parts Diagrams
- Order Parts
- Print Specification Information



If you have an MQ Account, to obtain a Username and Password, E-mail us at: parts@multiquip.com.

To obtain an MQ Account, contact your District Sales Manager for more information.

Goto www.multiquip.com and click on **Order Parts** to log in and save!

Use the **internet** and qualify for a **5% Discount** on *Standard orders* for all orders which include complete part numbers.*

Note: Discounts Are Subject To Change



Order via Fax (Dealers Only):

All customers are welcome to order parts via Fax.

Domestic (US) Customers dial:
1-800-6-PARTS-7 (800-672-7877)

Fax your order in and qualify for a **2% Discount** on *Standard orders* for all orders which include complete part numbers.*

Note: Discounts Are Subject To Change



Order via Phone: Domestic (US) Dealers Call:
1-800-427-1244

Non-Dealer Customers:

Contact your local Multiquip Dealer for parts or call 800-427-1244 for help in locating a dealer near you.



International Customers should contact their local Multiquip Representatives for Parts Ordering information.

When ordering parts, please supply:

- | | |
|-------------------------------------------------------------------------------|----------------------------------------------------------------------------------------|
| <input type="checkbox"/> Dealer Account Number | <input type="checkbox"/> Specify Preferred Method of Shipment: |
| <input type="checkbox"/> Dealer Name and Address | <input checked="" type="checkbox"/> UPS/Fed Ex <input checked="" type="checkbox"/> DHL |
| <input type="checkbox"/> Shipping Address (if different than billing address) | <input type="checkbox"/> Priority One <input checked="" type="checkbox"/> Truck |
| <input type="checkbox"/> Return Fax Number | <input type="checkbox"/> Ground |
| <input type="checkbox"/> Applicable Model Number | <input type="checkbox"/> Next Day |
| <input type="checkbox"/> Quantity, Part Number and Description of Each Part | <input type="checkbox"/> Second/Third Day |

NOTICE

All orders are treated as *Standard Orders* and will ship the same day if received prior to 3PM PST.

WE ACCEPT ALL MAJOR CREDIT CARDS!



DLW-400ES/ESA — EXPLANATION OF CODE IN REMARKS

The following section explains the different symbols and remarks used in the Parts section of this manual. Use the help numbers found on the back page of the manual if there are any questions.

NOTICE

The contents and part numbers listed in the parts section are subject to change **without notice**. Multiquip does not guarantee the availability of the parts listed.

SAMPLE PARTS LIST

NO.	PART NO.	PART NAME	QTY.	REMARKS
1	12345	BOLT.....	1	INCLUDES ITEMS W/%
2%		WASHER, 1/4 IN.....		NOT SOLD SEPARATELY
2%	12347	WASHER, 3/8 IN....	1	MQ-45T ONLY
3	12348	HOSE		A/R ...MAKE LOCALLY
4	12349	BEARING	1	S/N 2345B AND ABOVE

NO. Column

Unique Symbols — All items with same unique symbol

(@, #, +, %, or >) in the number column belong to the same assembly or kit, which is indicated by a note in the “Remarks” column.

Duplicate Item Numbers — Duplicate numbers indicate multiple part numbers, which are in effect for the same general item, such as different size saw blade guards in use or a part that has been updated on newer versions of the same machine.

NOTICE

When ordering a part that has more than one item number listed, check the remarks column for help in determining the proper part to order.

PART NO. Column

Numbers Used — Part numbers can be indicated by a number, a blank entry, or TBD.

TBD (To Be Determined) is generally used to show a part that has not been assigned a formal part number at the time of publication.

A blank entry generally indicates that the item is not sold separately or is not sold by Multiquip. Other entries will be clarified in the “Remarks” Column.

QTY. Column

Numbers Used — Item quantity can be indicated by a number, a blank entry, or A/R.

A/R (As Required) is generally used for hoses or other parts that are sold in bulk and cut to length.

A blank entry generally indicates that the item is not sold separately. Other entries will be clarified in the “Remarks” Column.

REMARKS Column

Some of the most common notes found in the “Remarks” Column are listed below. Other additional notes needed to describe the item can also be shown.

Assembly/Kit — All items on the parts list with the same unique symbol will be included when this item is purchased.

Indicated by:

“INCLUDES ITEMS W/(unique symbol)”

Serial Number Break — Used to list an effective serial number range where a particular part is used.

Indicated by:

“S/N XXXXX AND BELOW”

“S/N XXXX AND ABOVE”

“S/N XXXX TO S/N XXX”

Specific Model Number Use — Indicates that the part is used only with the specific model number or model number variant listed. It can also be used to show a part is NOT used on a specific model or model number variant.

Indicated by:

“XXXXX ONLY”

“NOT USED ON XXXX”

“Make/Obtain Locally” — Indicates that the part can be purchased at any hardware shop or made out of available items. Examples include battery cables, shims, and certain washers and nuts.

“Not Sold Separately” — Indicates that an item cannot be purchased as a separate item and is either part of an assembly/kit that can be purchased, or is not available for sale through Multiquip.

DLW-400ES/ESA — SUGGESTED SPARE PARTS

DLW-400ES/ESA

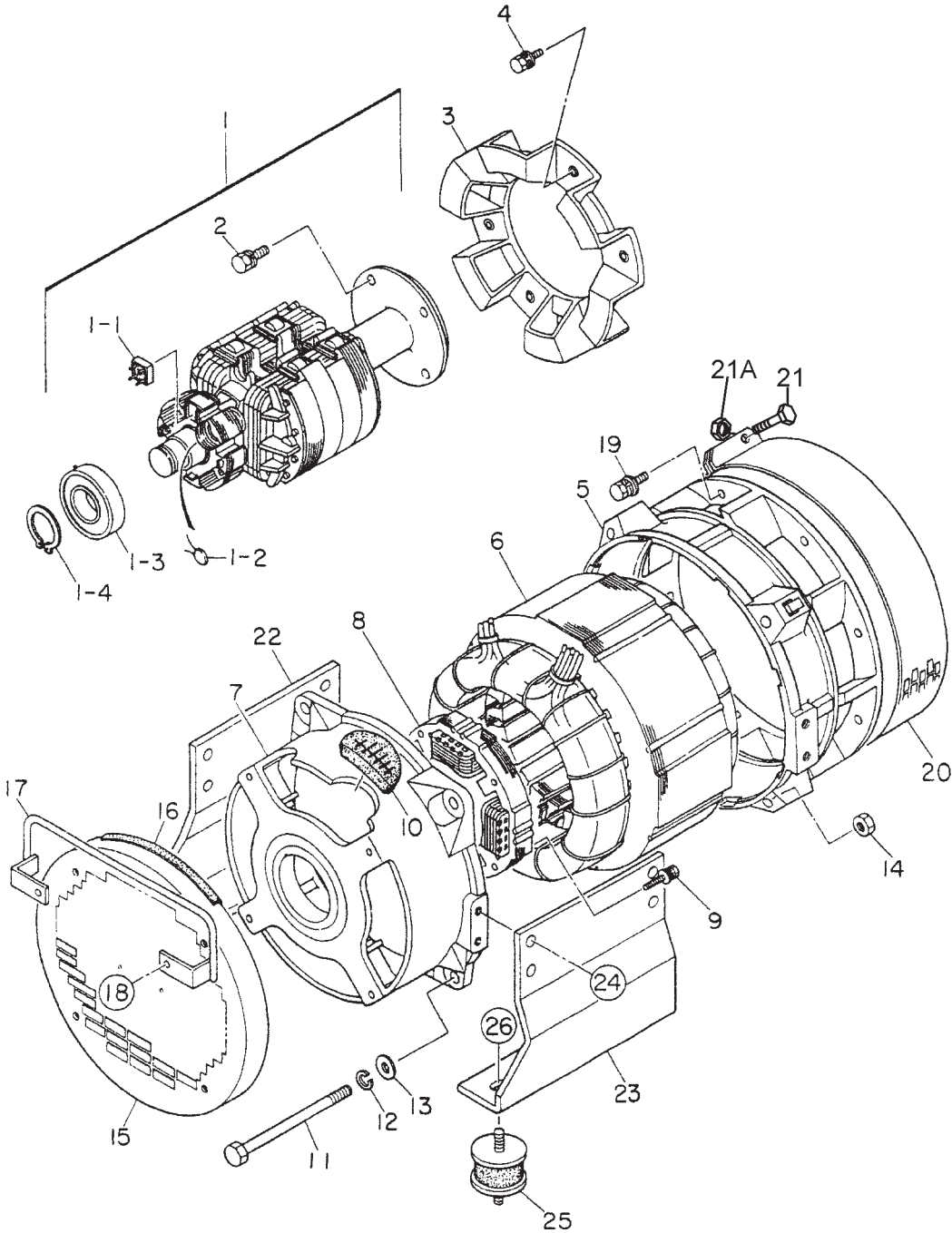
W/KUBOTA V1305-E2B-WDDE-2-E3B-WDDE-2 DIESEL ENGINES

1 TO 3 UNITS

<u>Qty.</u>	<u>P/N</u>	<u>Description</u>
5	0602041174	CARTRIDGE, OIL FILTER
1	D5311500203	HOSE, RADIATOR UPPER
1	D4312501003	HOSE, RADIATOR LOWER
1	0602011079	CAP, RADIATOR
1	A9924800024	CAP, FUEL TANK
1	1584139010	SWITCH, OIL
6	0602042461	FILTER, FUEL
6	1A00143160	FILTER, FUEL ELEMENT
3	0602046611	FILTER, AIR (ELEMENT)
1	0602011472	FAN BELT
1	0601871802	CIRCUIT BREAKER, 2P, @ 50A
1	0601806425	CIRCUIT BREAKER, 2P, @ 30A
1	0601806424	CIRCUIT BREAKER, 1P, @ 30A
1	0601806423	CIRCUIT BREAKER, 1P, @ 20A
1	0601820664	AUTOMATIC VOLTAGE REGULATOR
1	0601840028	RHEOSTAT (CURRENT/VOLTAGE REGULATOR 500Ω)
1	0601840103	KNOB, RHEOSTAT (CURRENT/VOLTAGE REGULATOR)
1	0601840095	RHEOSTAT (ARC FORCE TRIMMER)
1	0601840170	KNOB, RHEOSTAT (RHEOSTAT (ARC FORCE TRIMMER)
5	0601806642	FUSE, 5A
5	0601806643	FUSE, 15A
5	0601806644	FUSE, 30A
5	0601806640	FUSE, 65A

DLW-400ES/ESA — GENERATOR ASSY.

GENERATOR ASSY.



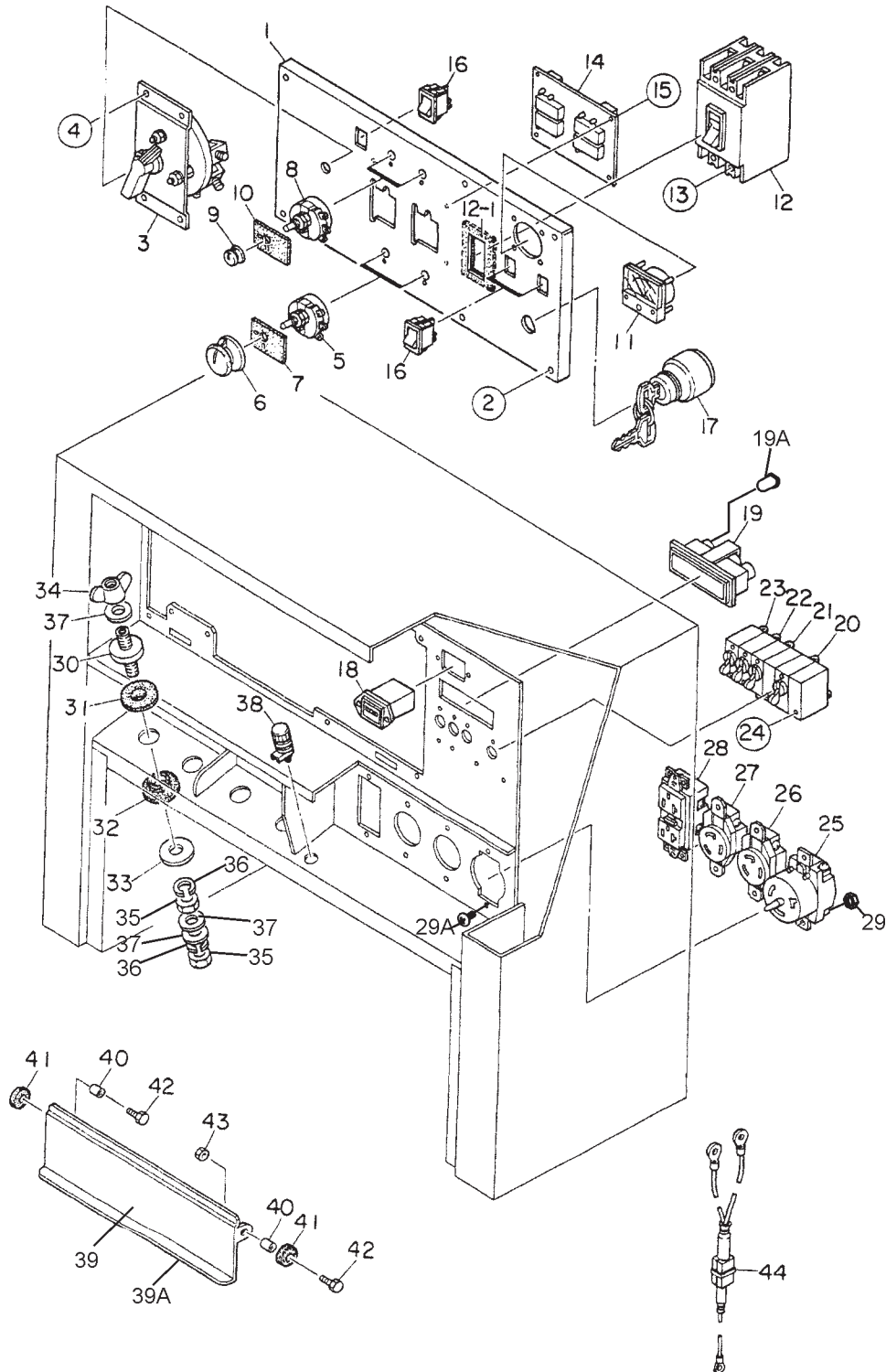
DLW-400ES/ESA — GENERATOR ASSY.

GENERATOR ASSY.

<u>NO.</u>	<u>PART NO.</u>	<u>PART NAME</u>	<u>QTY.</u>	<u>REMARKS</u>
1	D4110000403	ROTOR ASSY.	1	INCLUDES ITEMS W/*
1-1*	0601820037	RECTIFIER	1	
1-2*	0601822638	SURGE ABSORBER	1	
1-3*	0071206307	BEARING	1	
1-4*	0080000035	SNAP RING	1	
2	0012410030	HEX. HEAD BOLT	4	
3	D4111100103	FAN	1	
4	0017108025	HEX. HEAD BOLT	6	
5	7811315102	END BRACKET	1	
6	D5135000403	ARMATURE ASSY.	1	
7	D4153000202	END BRACKET	1	
8	D4139000003	FIELD ASSY., EXCITER	1	
9	0017105035	HEX. HEAD BOLT	4	
10	D4153400403	GROMMET	1	
11	D41315 00004	SET BOLT	4	
12	0040012000	WASHER, LOCK	4	
13	0041212000	WASHER, FLAT	4	
14	0030012000	HEX. NUT	4	
15	B0131300104	COVER	1	
16	02269 00200	RUBBER SEAL	1	
17	D4185300104	BRACKET	1	
18	0017108035	HEX. HEAD BOLT	4	
19	0012410025	HEX. HEAD BOLT	8	
20	D4155400104	COVER, FAN	1	
21	0017106040	HEX. HEAD BOLT	1	
21A	0037906000	HEX. NUT	1	
22	D5132100103	GENERATOR FOOT	1	
23	D5132100003	GENERATOR FOOT	1	
24	001230025	HEX. HEAD BOLT	8	
25	760549004	RUBBER SUSPENSION	2	
26	0207010000	HEX. NUT	2	

DLW-400ES — CONTROL PANEL ASSY.

CONTROL PANEL ASSY.(400-ES)



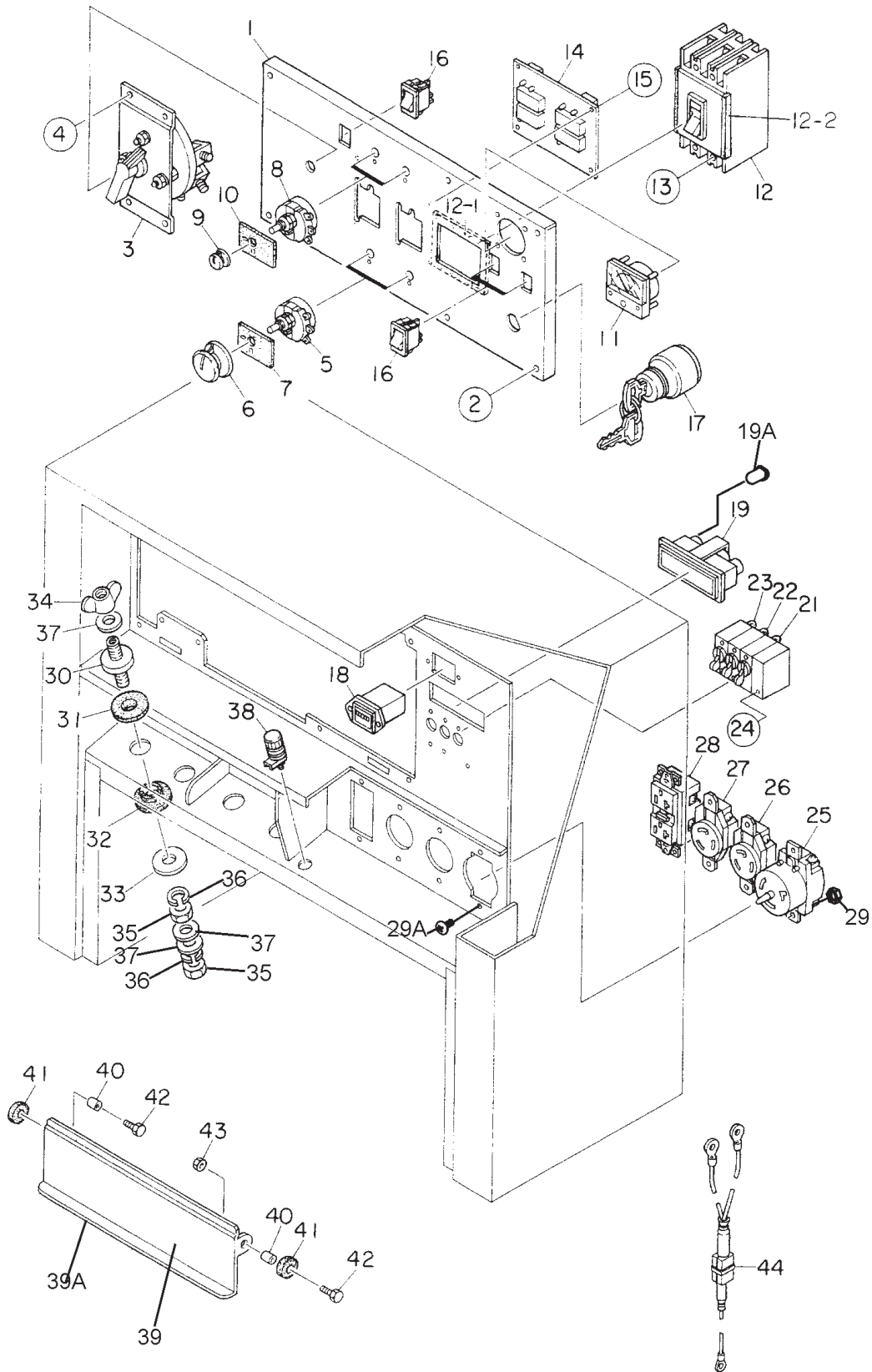
DLW-400ES— CONTROL PANEL ASSY.

CONTROL PANEL ASSY.(400-ES)

<u>NO.</u>	<u>PART NO.</u>	<u>PART NAME</u>	<u>QTY.</u>	<u>REMARKS</u>
1	D5224000603	CONTROL PANEL	1	REPLACES P/N D5501300902
2	0021B06030	MACHINE SCREW	6	
3	0601803072	SELECTOR SWITCH	1	
4	0016906016	HEX.HEAD BOLT	4	
5	0601840028	RHEOSTAT, CURRENT/VOLT. REG 500Ω	2	
6	0601840103	KNOB	2	
7	0801883003	INSULATOR	2	
8	0601840095	RHEOSTAT (ARC FORCE TRIMMER)	2	
9	0601840170	KNOB	2	
10	0801883003	INSULATOR	2	
11	0601800281	AC VOLTMETER, 150/300V	1	
12	0601871713	CIRCUIT BREAKER, 3P 53A	1	INCLUDES ITEMS W/#
12-1#	B3491400004	RUBBER SEAL	1	
13	0027104070	MACHINE SCREW	2	
14	D9924800154	DIGITAL MONITOR	1	
15	0027103006	MACHINE SCREW	4	
16	0601831600	ROCKER SWITCH	3	
17	0602100059	STARTER SWITCH	1	REPLACES P/N 3741059113
18	0601800682	HOUR METER	1	
19	0601810523	WARNING LAMP UNIT	1	INCLUDES ITEMS W/*
19A*	0601810830	BULB	4	
20	0601871802	CIRCUIT BREAKER, 2P 50A	1	
21	0601806425	CIRCUIT BREAKER, 2P 30A	1	
22	0601806424	CIRCUIT BREAKER, 1P 30A	1	
23	0601806423	CIRCUIT BREAKER, 1P 20A	1	
24	0021003005	MACHINE SCREW	8	
25	0601812565	RECEPTACLE, CS6369	1	
26	0601811033	RECEPTACLE, L6-30R	1	
27	0601811035	RECEPTACLE, L5-30R	1	
28	0601812598	RECEPTACLE, 5-20R	1	
29	0027104016	MACHINE SCREW	8	
29A	0207004000	HEX. NUT	8	
30	0801888204	OUTPUT TERMINAL, WELDING	4	
31	0801840104	INSULATOR WASHER	4	
32	0801840004	INSULATOR WASHER	4	
33	0801841204	SET WASHER, OUTPUT TERMINAL	4	
34	0801884004	WING NUT	4	
35	0039512000	HEX. NUT	8	
36	0042212000	WASHER, LOCK	8	
37	0041412000	WASHER, FLAT	12	
38	0601815109	GROUND TERMINAL	1	
39	D5237100403	COVER, OUTPUT TERMINAL	1	
39A	D5237400504	RUBBER SHEET	1	
40	0821800014	COLLAR	2	
41	D9311200004	STAY RUBBER	2	
42	0016906020	HEX. HEAD BOLT	2	
43	0038706000	HEX. NUT	1	
44	D4268304704	NOISE FILTER	2	

DLW-400ESA— CONTROL PANEL ASSY.

CONTROL PANEL ASSY.(400-ESA)



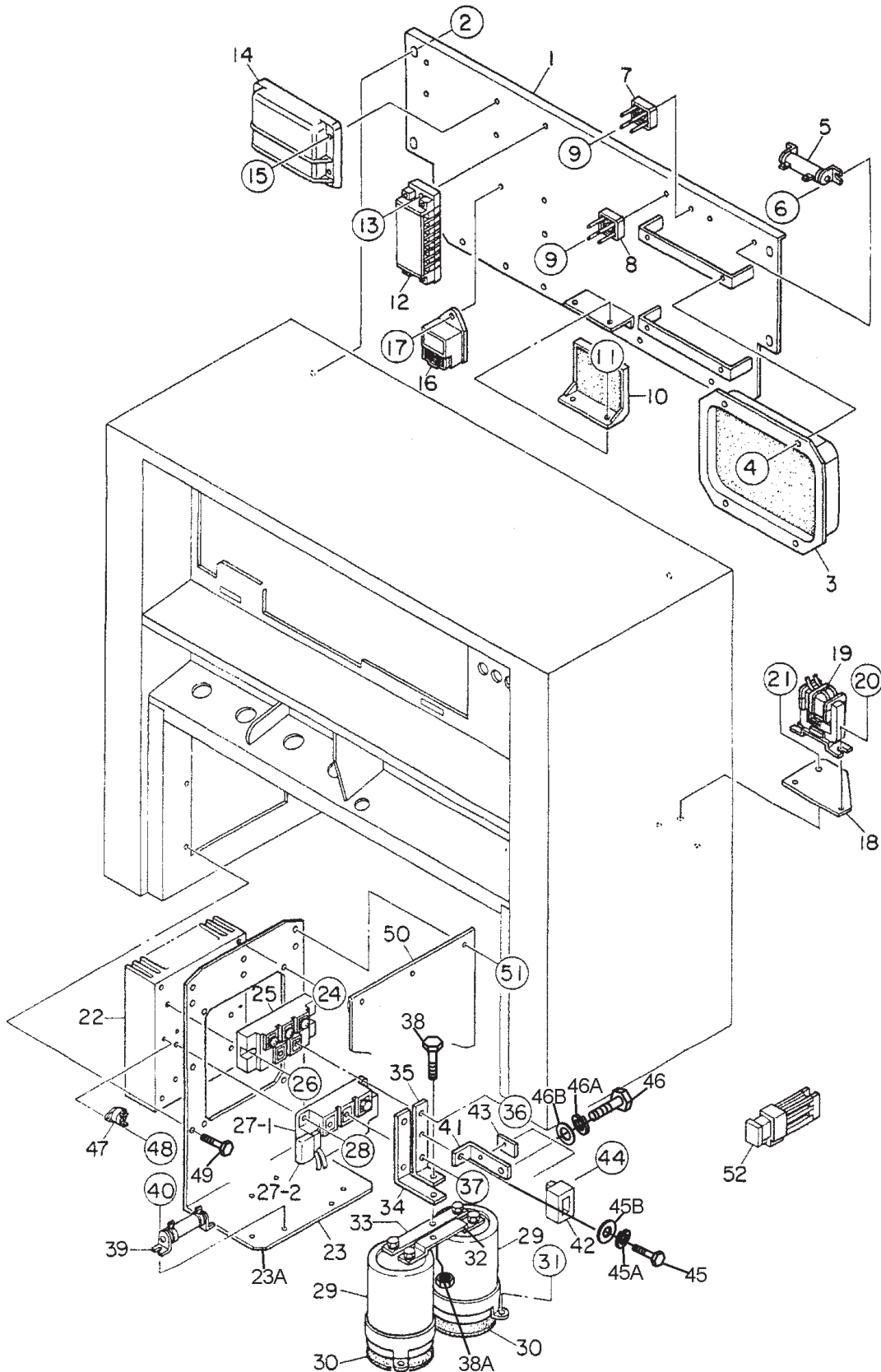
DLW-400ESA— CONTROL PANEL ASSY.

CONTROL PANEL ASSY.(400-ESA)

<u>NO.</u>	<u>PART NO.</u>	<u>PART NAME</u>	<u>QTY.</u>	<u>REMARKS</u>
1	D5511301402	CONTROL PANEL	1	REPLACES P/N D5224001303
2	0021B06030	MACHINE SCREW	6	
3	0601803072	SELECTOR SWITCH	1	
4	0016906016	HEX. HEAD BOLT	4	
5	0601840028	RHEOSTAT, CURRENT/VOLT. REG 500Ω	2	
6	0601840103	KNOB	2	
7	0801883003	INSULATOR	2	
8	0601840095	RHEOSTAT (ARC FORCE TRIMMER)	2	
9	0601840170	KNOB	2	
10	0801883003	INSULATOR	2	
11	0601800281	AC VOLTMETER, 150/300V	1	
12	0601806470	CIRCUIT BREAKER, 3P 50A	1	INCLUDES ITEMS W/*
12-1*	D5491400204	RUBBER SEAL	1	
12-2*	0317900080	RUBBER SEAL	2	
13	0027504055	MACHINE SCREW	2	
14	D9924800154	DIGITAL MONITOR, DM-50A	1	
15	0027103006	MACHINE SCREW	4	
16	0601831600	ROCKER SWITCH	3	
17	0602100059	STARTER SWITCH	1	REPLACES P/N 3741059113
18	0601800682	HOUR METER	1	
19	0601810523	WARNING LAMP UNIT	1	INCLUDES ITEMS W/#
19A#	0601810830	BULB	4	
21	0601806425	CIRCUIT BREAKER, 2P 30A	1	
22	0601806424	CIRCUIT BREAKER, 1P 30A	1	
23	0601806423	CIRCUIT BREAKER, 1P 20A	1	
24	0021003005	MACHINE SCREW	8	
25	0601812565	RECEPTACLE, CS6369	1	
26	0601811033	RECEPTACLE, L6-30R	1	
27	0601811035	RECEPTACLE, L5-30R	1	
28	0601812598	RECEPTACLE, 5-20R	1	
29	0027104016	MACHINE SCREW	8	
29A	0207004000	HEX. NUT	8	
30	0801888204	OUTPUT TERMINAL, WELDING	4	
31	0801840104	INSULATOR WASHER	4	
32	0801840004	INSULATOR WASHER	4	
33	0801841204	SET WASHER, OUTPUT TERMINAL	4	
34	0801884004	WING NUT	4	
35	0039512000	HEX. NUT	8	
36	0042212000	WASHER, LOCK	8	
37	0041412000	WASHER, FLAT	12	
38	0601815109	GROUND TERMINAL	1	
39	D5237100403	COVER, OUTPUT TERMINAL	1	
39A	D5237400504	RUBBER SHEET	1	
40	0821800014	COLLAR	2	
41	D9311200004	STAY RUBBER	2	
42	0016906020	HEX. HEAD BOLT	2	
43	0038706000	HEX. NUT	1	
44	D4268304704	NOISE FILTER	2	

DLW-400ES/ESA — ELECTRIC PARTS 1 ASSY.

ELECTRIC PARTS 1 ASSY.



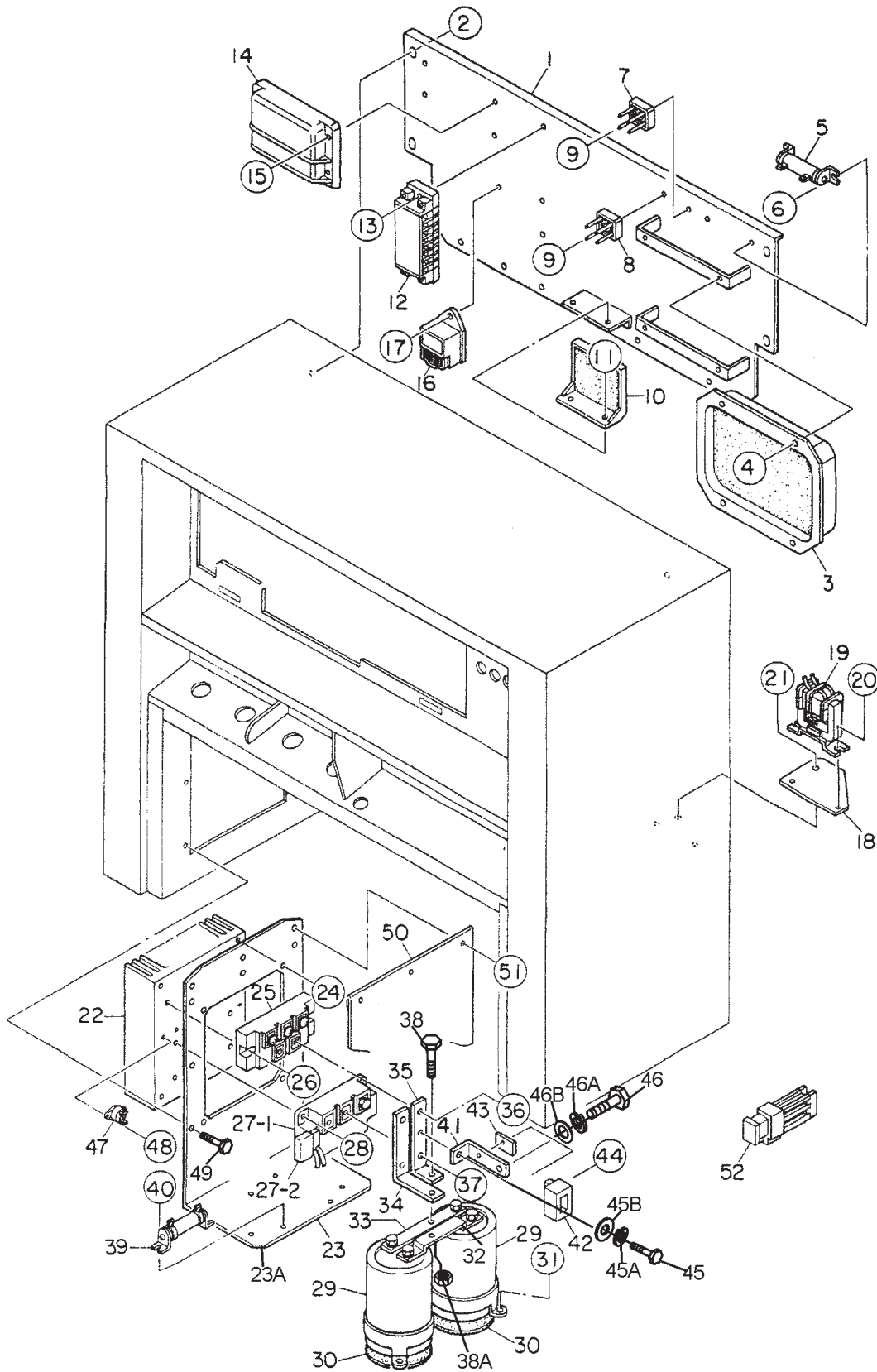
DLW-400ES/ESA — ELECTRIC PARTS 1 ASSY.

ELECTRIC PARTS 1 ASSY.

<u>NO.</u>	<u>PART NO.</u>	<u>PART NAME</u>	<u>QTY.</u>	<u>REMARKS</u>
1	D5261500803	SET PANEL, ELECTRIC PARTS	1	
2	0016906016	HEX. HEAD BOLT	4	
3	0601820664	AUTOMATIC VOLTAGE REGULATOR	1	
4	0016905016	HEX. HEAD BOLT	4	
5	0601842347	RESISTOR, 20W 30Ω	1	
6	0027104016	MACHINE SCREW	2	
7	0601820037	RECTIFIER	1	
8	0601823204	RECTIFIER	1	
9	0027103016	MACHINE SCREW	2	
10	0601823857	IDLE CONTROL UNIT	1	
11	0027205016	MACHINE SCREW	2	
12	0601815422	TERMINAL BOARD	1	
13	0027104025	MACHINE SCREW	2	
14	0602200475	EMERGENCY UNIT	1	REPLACES P/N 1747260604
15	0027105025	MACHINE SCREW	4	
16	0602201273	LAMP TIMER	1	REPLACES P/N 1569465992
17	0027105016	MACHINE SCREW	1	
18	D5261800104	BRACKET	1	
19	0601804211	CURRENT TRANSFORMER	1	
20	0027104010	MACHINE SCREW	2	
21	0016905016	HEX. HEAD BOLT	1	
22	D5267300004	COOLING FIN	2	
23	D5261600604	BRACKET, 400ES	2	S/N 3797330 AND BELOW
23A	D5261600614	BRACKET 400ES	2	S/N 3797331 AND ABOVE
23	D5261600614	BRACKET, 400ESA	2	
24	0016906016	HEX. HEAD BOLT	8	
25	0601823256	RECTIFIER	2	
26	0027105016	MACHINE SCREW	4	
27	D4268000403	IGBT MUDULE ASSY.	2	INCLUDES ITEMS W/*
27-1*	0601821258	IGBT MUDULE	2	
27-2*	D9925800044	IGBT PROTECTIVE UNIT	2	
28	0027105016	MACHINE SCREW	8	
29	0601826146	CONDENSER	4	
30	D5261800404	INSULATOR RUBBER	4	
31	0027104010	MACHINE SCREW	6	
32	D4268304204	CONNECTION PLATE	2	
33	D4268304304	CONNECTION PLATE	2	
34	D5267300404	CONNECTION PLATE	2	
35	D5267300304	CONNECTION PLATE	2	
36	0027105016	HEX. HEAD BOLT	4	
37	0017806014	HEX. HEAD BOLT	4	

DLW-400ES/ESA — ELECTRIC PARTS 1 ASSY.

ELECTRIC PARTS 1 ASSY.



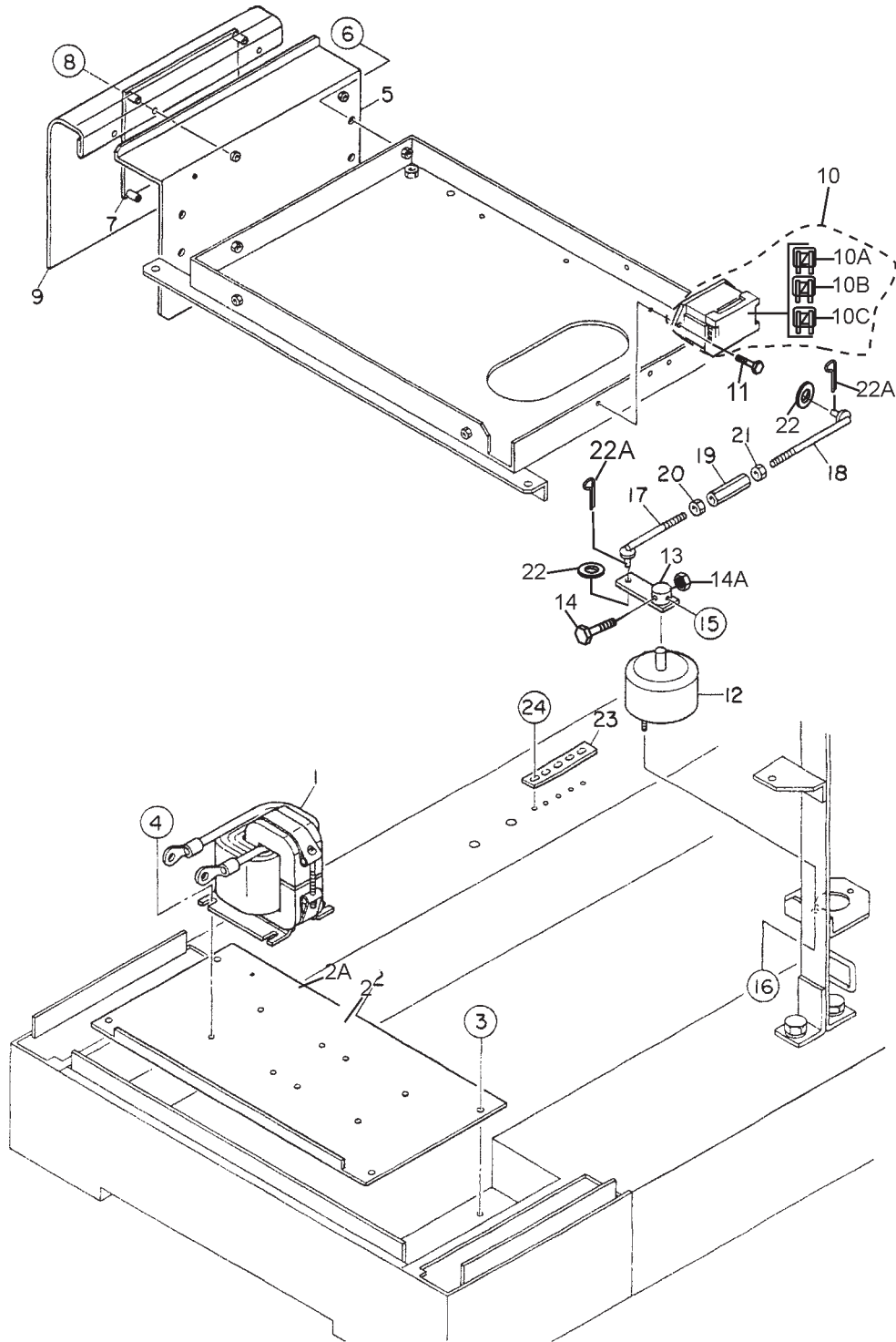
DLW-400ES/ESA— ELECTRIC PARTS 1 ASSY.

ELECTRIC PARTS 1 ASSY.

<u>NO.</u>	<u>PART NO.</u>	<u>PART NAME</u>	<u>QTY.</u>	<u>REMARKS</u>
38	0017106020	HEX. HEAD BOLT	4	
38A	0207206000	HEX. NUT	4	
39	0601842262	RESISTOR, 20W 1K Ω	2	
40	0027104010	MACHINE SCREW	4	
41	D3267300604	CONNECTION PLATE	2	
42	0601804244	DC CURRENT TRANSFORMER	2	
43	D4235400004	INSULATOR	2	
44	0027104020	MACHINE SCREW	2	
45	0019008016	HEX. HEAD BOLT	2	
45A	0040008000	WASHER, LOCK	2	
45B	0042708000	WASHER, FLAT	2	
46	0019008016	HEX. HEAD BOLT	2	
46A	0040008000	WASHER, LOCK	2	
46B	0042708000	WASHER, FLAT	2	
47	0601831056	THERMAL SWITCH	2	
48	0021003010	MACHINE SCREW	4	
49	0016906016	HEX. HEAD BOLT	14	
50	D4262700304	COVER, ELECTRIC PARTS	2	
51	0605011411	RIVET	8	
52	0601806640	FUSE, 65A	1	

DLW-400ES/ESA — ELECTRIC PART S 2 ASSY.

ELECTRIC PARTS 2 ASSY.



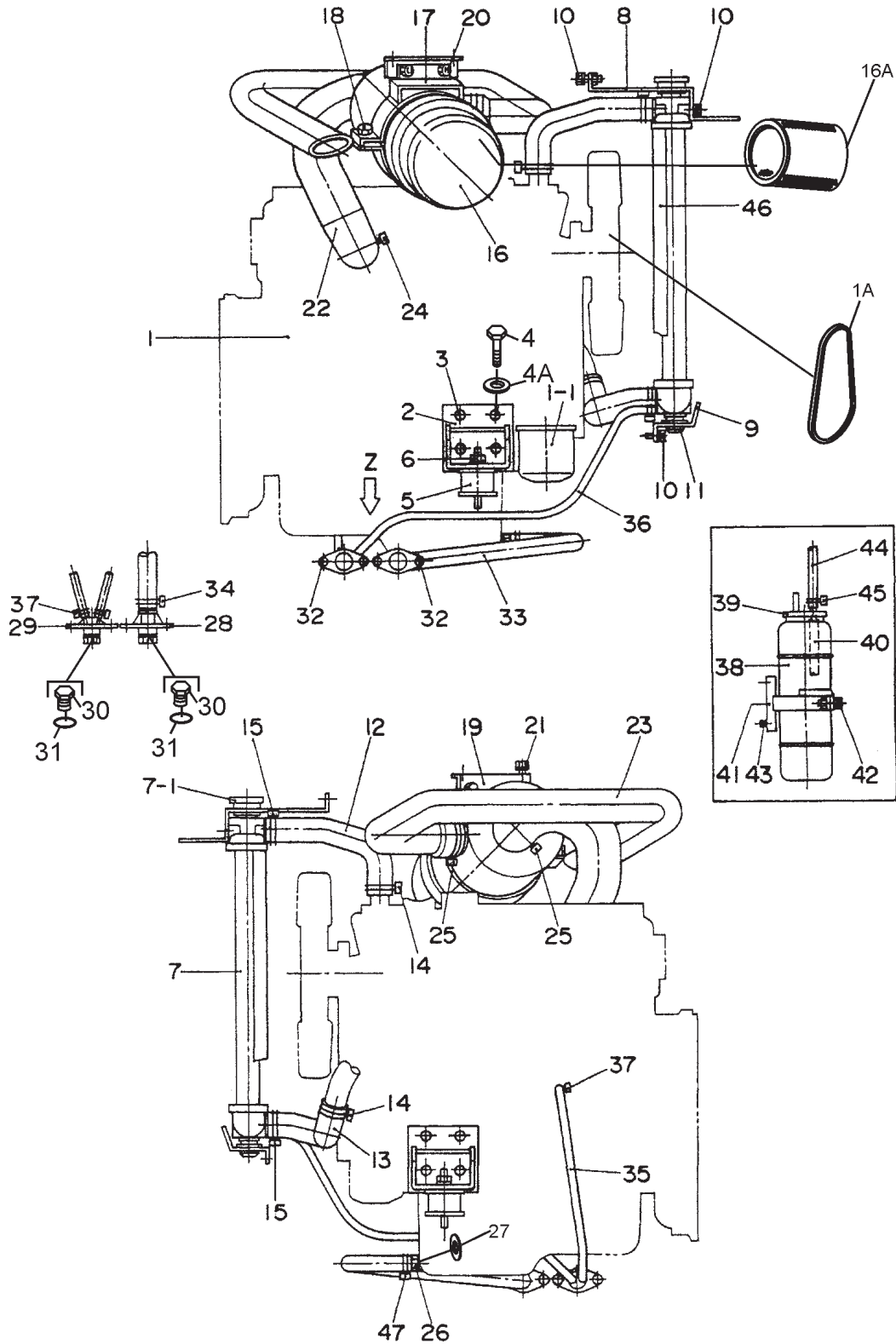
DLW-400ES/ESA — ELECTRIC PARTS 2 ASSY.

ELECTRIC PARTS 2 ASSY.

<u>NO.</u>	<u>PART NO.</u>	<u>PART NAME</u>	<u>QTY.</u>	<u>REMARKS</u>
1	D5264500103	DC REACTOR	2	
2	D5261600304	BRACKET, REACTOR	1	
2A	D5494000503	LINING	1	
3	0016906016	HEX. HEAD BOLT	4	
4	0016906016	HEX. HEAD BOLT	8	
5	D5214000103	CONTROL BOX	1	
6	0016906016	HEX. HEAD BOLT	4	
7	D9924800114	CONTROL UNIT, CV-10	1	
8	0027103025	MACHINE SCREW	4	
9	D5261700304	COVER, ELECTRIC PARTS	1	
10	8701899004	FUSE BOX, FB-6PS	1	DLW-400ES ONLY INCLUDES ITEMS W/*
10	B0352500104	FUSE BOX, FB-6PS	1	DLW-400 ESA ONLY INCLUDES ITEMS W/*
10A*	0601806642	FUSE, 5A	4	
10B*	0601806643	FUSE, 15A	2	
10C*	0601806644	FUSE, 30A	2	
11	0016905016	HEX. HEAD BOLT	2	
12	1790150203	ROTARY SOLENOID	1	
13	6722631004	ARM, SOLENOID	1	
14	0010106020	HEX. HEAD BOLT	1	
14A	0030006000	HEX. NUT	1	
15	0050403020	SPRING PIN	1	
16	0207006000	HEX. NUT	2	
17	D5355300104	GOVERNOR ROD	1	
18	D1356300004	GOVERNOR ROD	1	
19	1552154004	SCREW JOINT	1	
20	0031008000	HEX. NUT	1	
21	0036508000	HEX. NUT	1	
22	0041208000	WASHER, FLAT	2	
22A	0605010503	SNAP PIN	2	
23	8511864604	PLATE	4	
24	0019206016	HEX. HEAD BOLT	5	

DLW-400ES/ESA — ENGINE AND RADIATOR ASSY.

ENGINE AND RADIATOR ASSY.



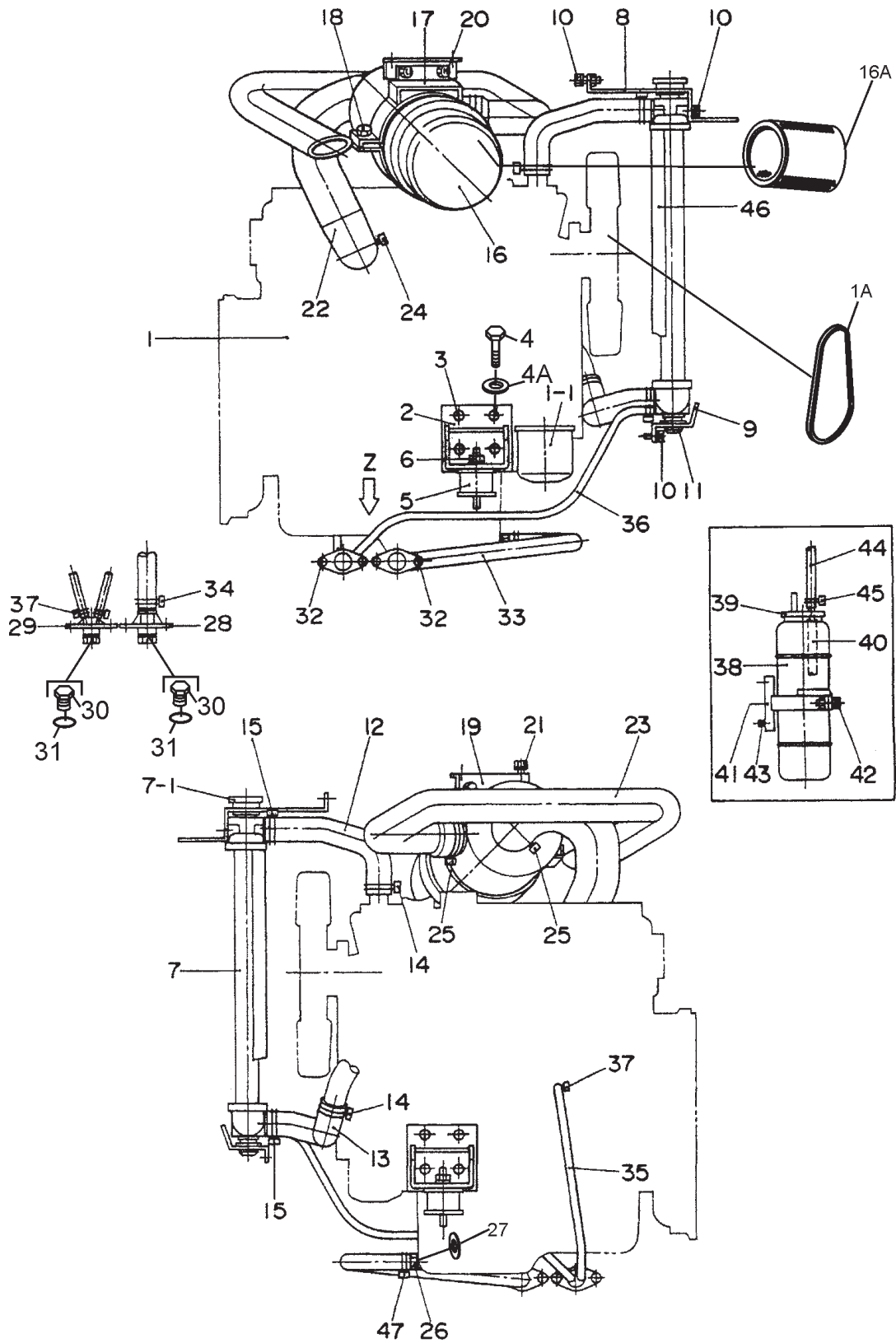
DLW-400ES/ESA — ENGINE AND RADIATOR ASSY.

ENGINE AND RADIATOR ASSY.

<u>NO.</u>	<u>PART NO.</u>	<u>PART NAME</u>	<u>QTY.</u>	<u>REMARKS</u>
1	D5924200064	ENGINE, KUBOTA V1 305	1	INCLUDES ITEMS W/*
1A*	0602011472	FAN BELT	1	REPLACES 1628297011
1-1*	0602041174	CARTRIDGE, OIL FILTER.....	1	REPLACES 1627132093
2	D5304200304	ENGINE FOOT	2	
3	0010710020	HEX. HEAD BOLT	6	
4	0010710020	HEX. HEAD BOLT	2	
4A	0042410000	WASHER, FLAT	2	
5	7605419004	RUBBER SUSPENSION	2	
6	0207010000	HEX. NUT	2	
7	0602012797	RADIATOR	1	INCLUDES ITEMS W/#
			REPLACES 29513340000
7-1#	0602011079	CAP, RADIATOR.....	1	REPLACES 67130920901
8	D5311100204	BRACKET, RADIATOR	1	
9	D4312100813	BRACKET, RADIATOR	1	
10	0016906016	HEX. HEAD BOLT	7	
11	B13126 00004	RUBBER MOUNT	2	
12	D5311500203	RADIATOR HOSE, UPPER	1	
13	D4312501003	RADIATOR HOSE, LOWER	1	
14	0605515112	HOSE BAND	2	
15	0605515134	HOSE BAND	2	
16	0602046531	AIR CLEANER	1	INCLUDES ITEMS W/%
16A	0602046611	ELEMENT, AIR CLEANER	1	
17	D5374200203	BAND, AIR CLEANER	1	
18	0016908025	HEX. HEAD BOLT	1	
19	D5374200104	BRACKET	1	

DLW-400ES/ESA — ENGINE AND RADIATOR ASSY.

ENGINE AND RADIATOR ASSY.



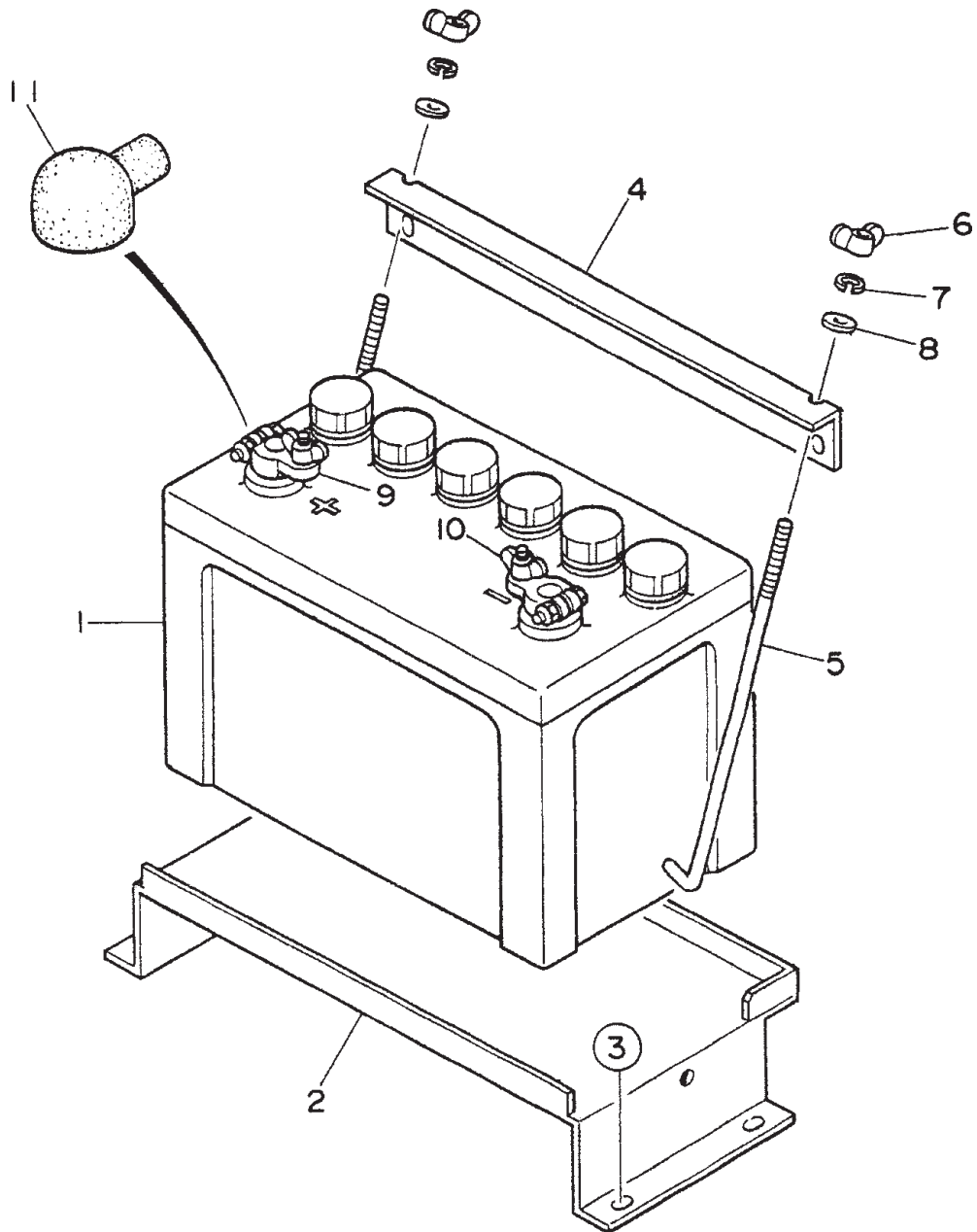
DLW-400ES/ESA — ENGINE AND RADIATOR ASSY.

ENGINE AND RADIATOR ASSY.

<u>NO.</u>	<u>PART NO.</u>	<u>PART NAME</u>	<u>QTY.</u>	<u>REMARKS</u>
20	0016906016	HEX. HEAD BOLT	2	
21	0016906016	HEX. HEAD BOLT	2	
22	D4375101303	HOSE, AIR CLEANER	1	
23	D1375100613	HOSE, AIR CLEANER	1	
24	0605515139	HOSE BAND	1	
25	0605515027	HOSE BAND	2	
26	7962054004	DRAIN JOINT, OIL	1	
27	0602021191	PACKING	1	
28	1502025103	DRAIN JOINT, OIL	1	
29	1622014103	DRAIN JOINT, WATER	1	
30	0802011104	PLUG	2	
31	0150000018	O-RING	2	
32	0016906016	HEX. HEAD BOLT	4	
33	D5321100003	DRAIN HOSE	1	
34	0605515158	HOSE BAND	1	
35	0199901000	DRAIN HOSE	1	
36	0199900770	DRAIN HOSE	1	
37	0605515094	HOSE BAND	4	
38	0802081403	RESERVE TANK	1	
39	0802081104	CAP, RESERVE TANK	1	
40	0199100215	HOSE	1	
41	8702082004	BRACKET, RESERVE TANK	1	
42	0016906025	HEX. HEAD BOLT	1	
43	0016906016	HEX. HEAD BOLT	2	
44	0199900460	HOSE	1	
45	0605515094	HOSE BAND	2	
46	0220300375	RUBBER SEAL	2	

DLW-400ES/ESA — BATTERY ASSY.

BATTERY ASSY.



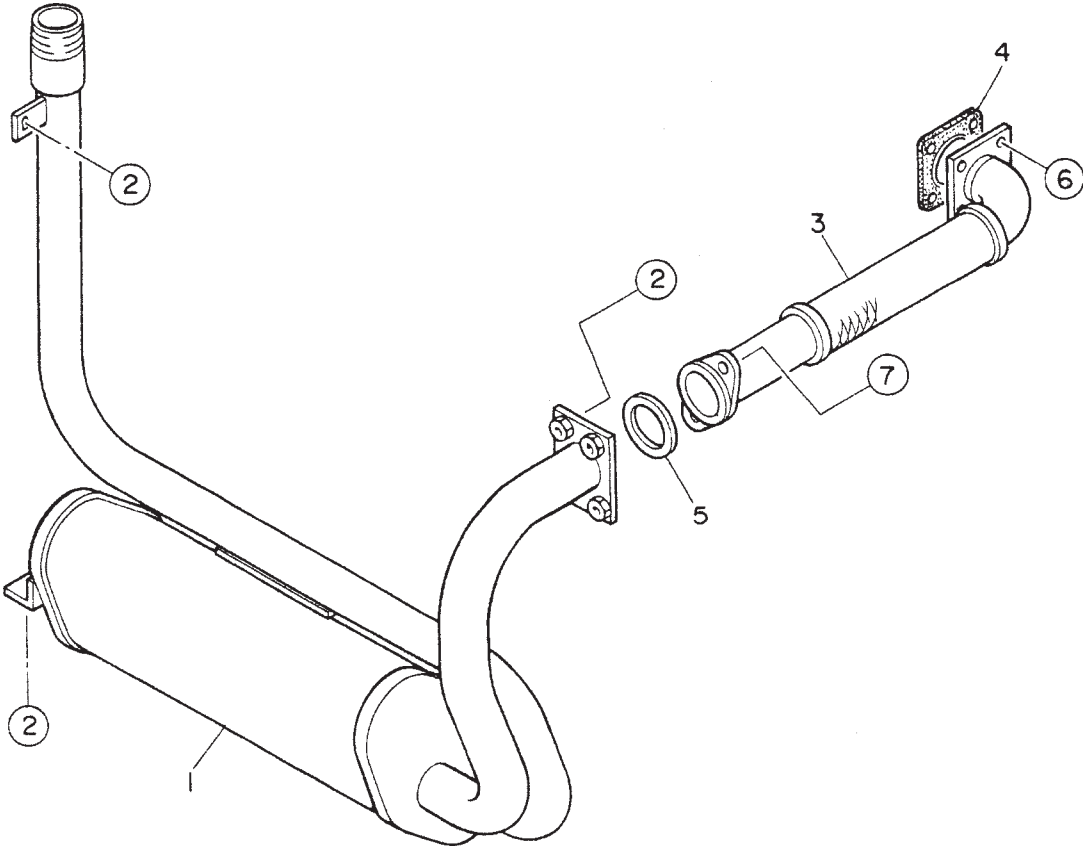
DLW-400ES/ESA — BATTERY ASSY.

BATTERY ASSY.

<u>NO.</u>	<u>PART NO.</u>	<u>PART NAME</u>	<u>QTY.</u>	<u>REMARKS</u>
1	0165308026	BATTERY	1	
2	D5344200104	BATTERY FRAME	1	
3	0016906016	HEX. HEAD BOLT	4	
4	B1345200114	BATTERY BAND	1	
5	0805002904	BATTERY BOLT	2	
6	0037808000	WING NUT	2	
7	0040008000	WASHER, LOCK	2	
8	0041208000	WASHER, FLAT	2	
9	0602220310	TERMINAL ASSY.	1	
10	0602220311	TERMINAL ASSY.	1	
11	0845040414	TERMINAL CAP	1	

DLW-400ES/ESA — MUFFLER ASSY.

MUFFLER ASSY.



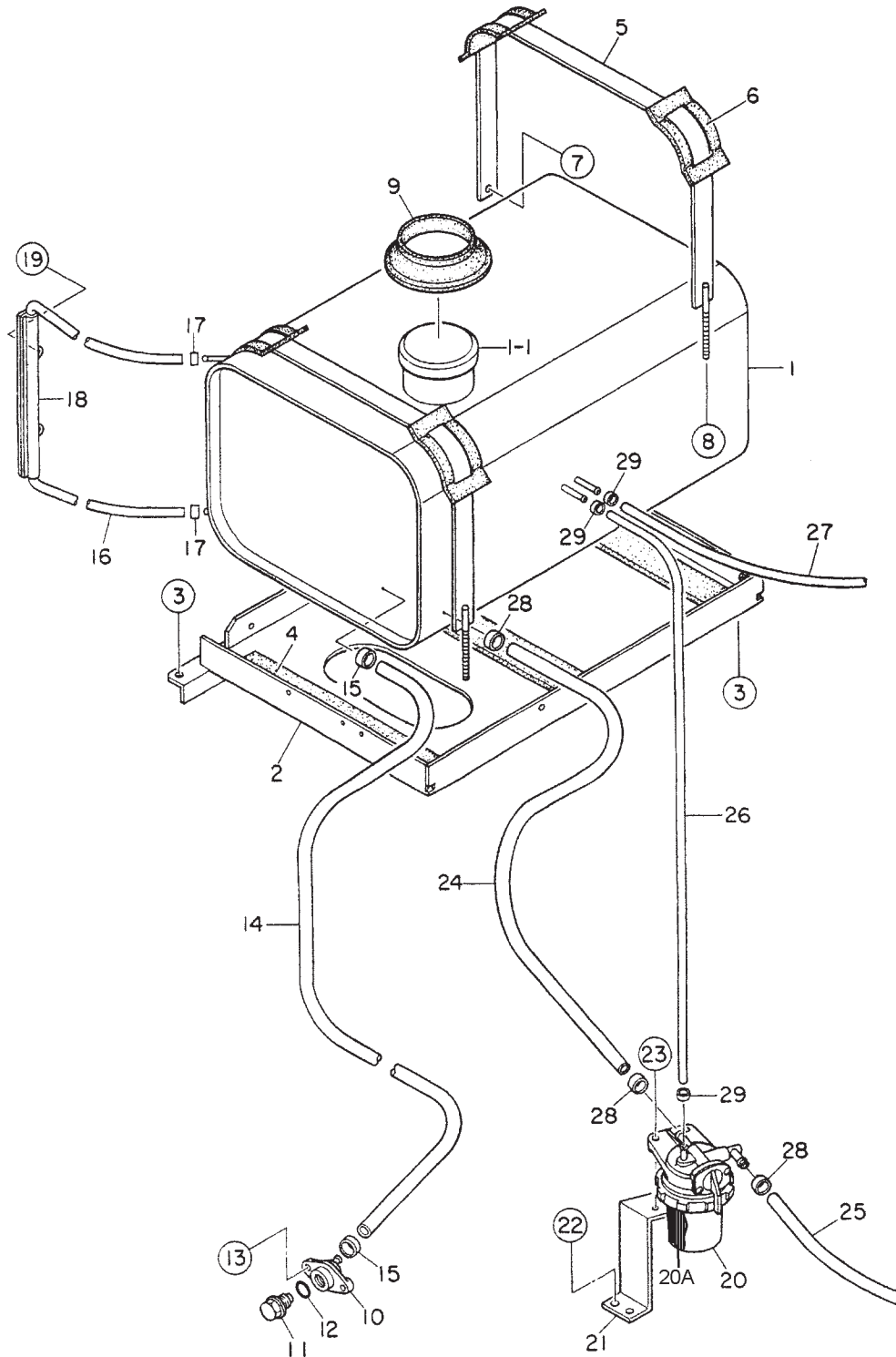
DLW-400ES/ESA — MUFFLER ASSY.

MUFFLER ASSY.

<u>NO.</u>	<u>PART NO.</u>	<u>PART NAME</u>	<u>QTY.</u>	<u>REMARKS</u>
1	D3331000203	MUFFLER	1	
2	0016908020	HEX.HEAD BOLT	5	
3	D5334000103	EXHAUST PIPE	1	
4	0602320153	GASKET	1	REPLACES P/N 1526312371
5	D9304000004	GASKET	1	
6	0207008000	HEX. NUT	4	
7	0016908030	HEX.HEAD BOLT	2	

DLW-400ES/ESA — FUEL TANK ASSY.

FUEL TANK ASSY.



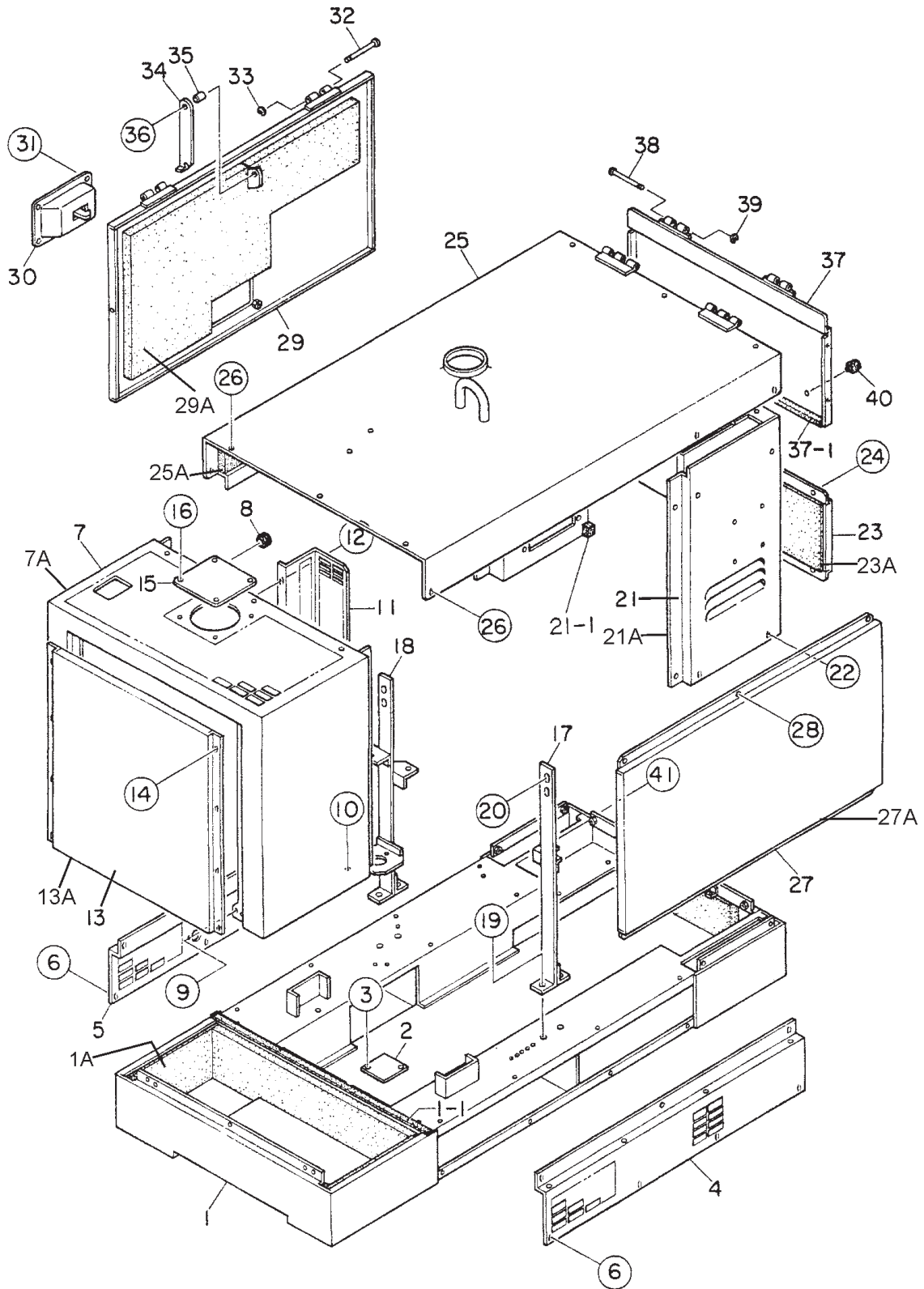
DLW-400ES/ESA — FUEL TANK ASSY.

FUEL TANK ASSY.

<u>NO.</u>	<u>PART NO.</u>	<u>PART NAME</u>	<u>QTY.</u>	<u>REMARKS</u>
1	D5364000203	FUEL TANK	1	INCLUDES ITEMS W/#
1-1#	A9924800024	CAP, FUEL TANK	1	
2	D5434000103	BRACKET, FUEL TANK	1	
3	0016908020	HEX. HEAD BOLT	4	
4	0223300300	TANK SHEET	3	
5	B5364200104	TANK BAND	2	
6	D6365300504	PAD, TANK BAND	4	
7	0016906016	HEX. HEAD BOLT	2	
8	0207308000	HEX. NUT	2	
9	B9312400004	RUBBER SEAL	1	
10	L7812014003	DRAIN JOINT	1	
11	0802011104	PLUG	1	
12	0150000018	O-RING	1	
13	0016906016	HEX. HEAD BOLT	2	
14	0199900850	DRAIN HOSE	1	
15	0605515094	HOSE BAND	2	
16	0264201100	HOSE, FUEL GAUGE	1	
17	0605515093	HOSE BAND	2	
18	7815511203	BRACKET, FUEL GAUGE	4	
19	0028104012	MACHINE SCREW	2	
20	0602042461	FUEL FILTER	1	INCLUDES ITEMS W/*
			REPLACES P/N 1552143016
20A*	0602042174	ELEMENT, FUEL FILTER	1	REPLACES P/N 1552143161
21	D4368700604	BRACKET, FUEL FILTER	1	
22	0016906016	HEX. HEAD BOLT	2	
23	0016908025	HEX. HEAD BOLT	2	
24	0199900420	SUCTION HOSE	1	
25	0199900750	SUCTION HOSE	1	
26	0199700550	RETURN HOSE	1	
27	0199700210	RETURN HOSE	1	
28	0605515094	HOSE BAND	4	
29	0605515093	HOSE BAND	4	

DLW-400ES/ESA — ENCLOSURE ASSY.

ENCLOSURE ASSY.



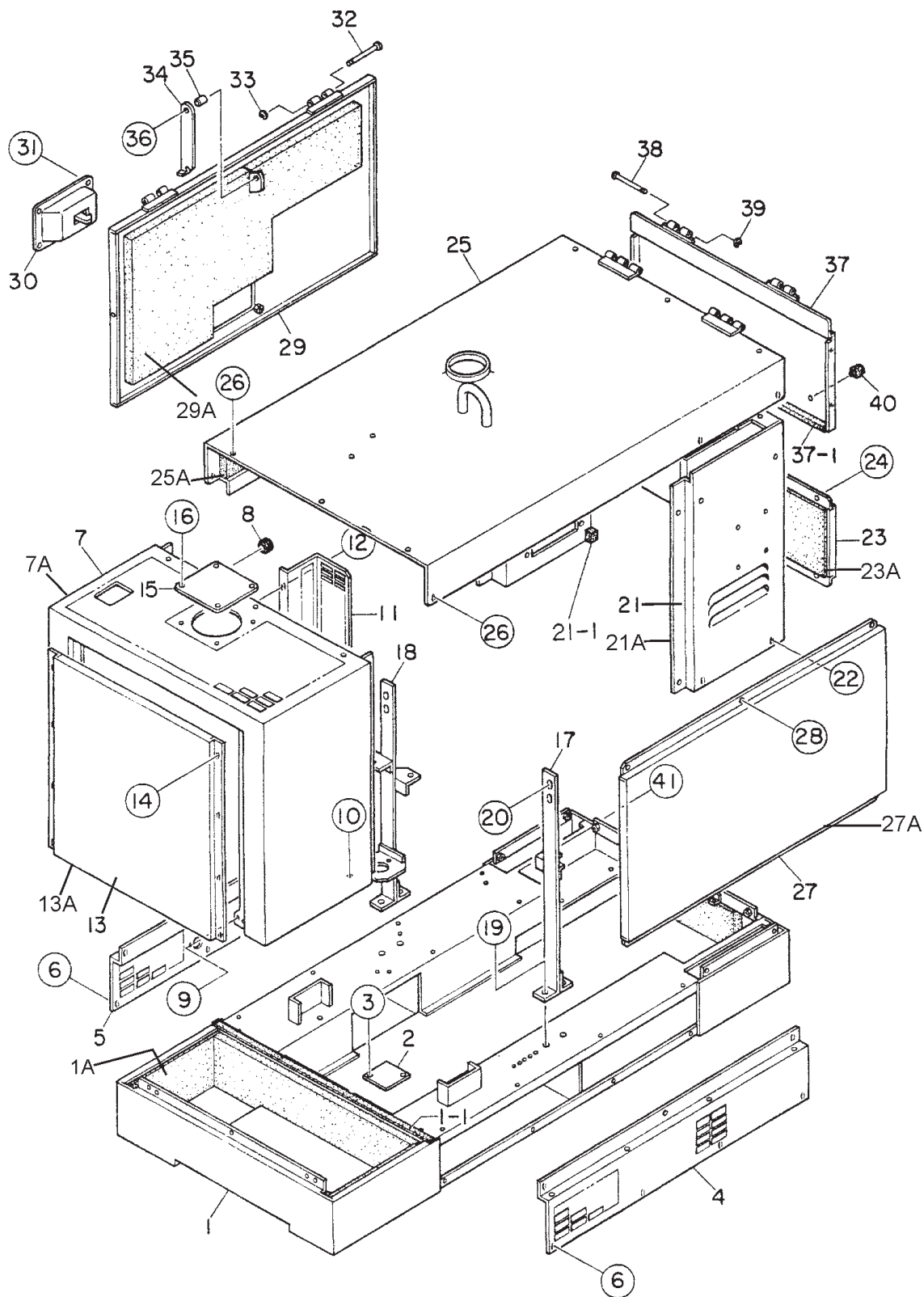
DLW-400ES/ESA — ENCLOSURE ASSY.

ENCLOSURE ASSY.

<u>NO.</u>	<u>PART NO.</u>	<u>PART NAME</u>	<u>QTY.</u>	<u>REMARKS</u>
1	D5414000202	BASE	1	
1A	D5494000503	LINING	1	
1-1	0314900720	RUBBER SEAL, 400ES	1	
2	D3414800104	FLOOR PANEL	1	
3	0016906016	HEX. HEAD BOLT	2	
4	D5414300303	SPLASHER PANEL	1	
5	D5414300203	SPLASHER PANEL	1	
6	0016906016	HEX. HEAD BOLT	16	
7	D5424000202	FRONT FRAME	1	
7A	D5494100303	LINING	1	
8	0601850239	GROMMET	1	
9	0016906016	HEX. HEAD BOLT	2	
10	0016908020	HEX. HEAD BOLT	2	
11	D5311200103	FAN GUARD	1	
12	0016906016	HEX. HEAD BOLT	2	
13	D5424200403	COVER, FRONT FRAME	1	
13A	D5494100404	LINING	1	
14	0016906016	HEX. HEAD BOLT	8	
15	J34425200804	COVER, RADIATOR CAP	1	
16	0016906016	HEX. HEAD BOLT	4	
17	D5434300403	HANGER	1	
18	D5434300303	HANGER	1	
19	0012312030	HEX. HEAD BOLT	4	

DLW-400ES/ESA — ENCLOSURE ASSY.

ENCLOSURE ASSY.



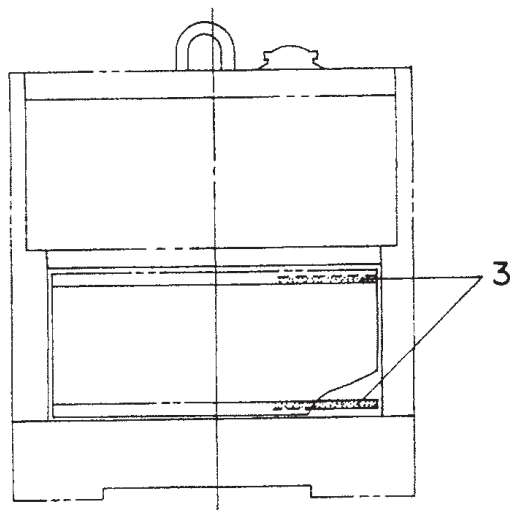
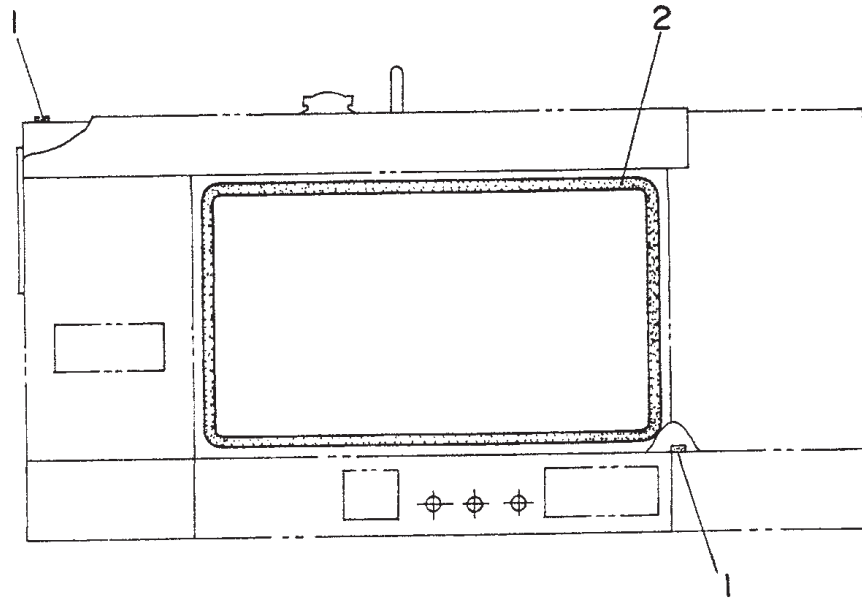
DLW-400ES/ESA — ENCLOSURE ASSY.

ENCLOSURE ASSY.

<u>NO.</u>	<u>PART NO.</u>	<u>PART NAME</u>	<u>QTY.</u>	<u>REMARKS</u>
20	0012312030	HEX. HEAD BOLT	4	
21	D5444000902	REAR FRAME, DLW400ES	1	S/N 3797330 AND BELOW
21	D5444001302	REAR FRAME, DLW400ESA	1	
21 A	D5444000912	REAR FRAME, DLW400ES	1	S/N 3797331 AND ABOVE
21B	D5494300504	LINING	1	
21-1	0315900030	RUBBER SEAL	2	
22	0016906016	HEX. HEAD BOLT	4	
23	D5444300104	COVER, REAR FRAME	1	
23A	D5494300404	LINING	1	
24	0016906016	HEX. HEAD BOLT	6	
25	D5464000202	ROOF PANEL	1	
25A	D5494500204	LINING	1	
26	0016906016	HEX. HEAD BOLT	12	
27	D5454100203	SIDE PANEL	1	
27A	D5494400804	LINING	1	
28	0016906016	HEX. HEAD BOLT	6	
29	D5454000503	SIDE DOOR	1	
29A	D 54944 00604	LINING	1	
30	B9114000002	DOOR HANDLE		1
31	0021806015	MACHINE SCREW	4	
32	0810014704	PIN	2	
33	0080200004	SNAP RING	2	
34	7835186014	DOOR STAY	1	
35	7835088004	COLLAR	1	
36	0016908030	HEX. HEAD BOLT	1	
37	D5444200003	REAR DOOR	1	
37-1	02269 00650	RUBBER SEAL	1	
38	08100 14704	PIN	2	
39	00802 00004	SNAP RING	2	
40	0601851613	STOPPER	2	

DLW-400ES/ESA — RUBBER SEAL ASSY.

RUBBER SEAL ASSY.



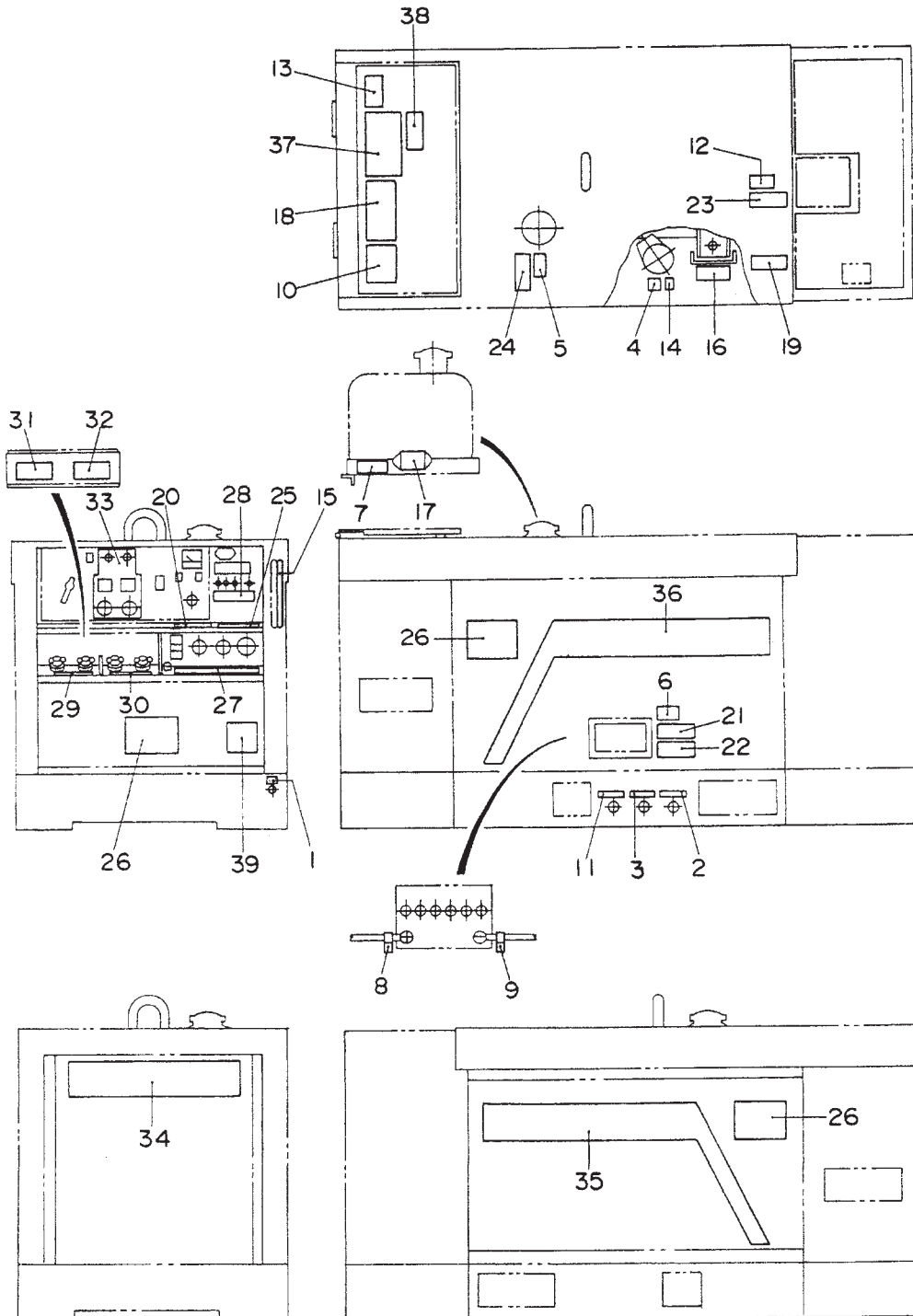
DLW-400ES/ESA — RUBBER SEAL ASSY.

RUBBER SEAL ASSY.

<u>NO.</u>	<u>PART NO.</u>	<u>PART NAME</u>	<u>QTY.</u>	<u>REMARKS</u>
1	0314900715	RUBBER SEAL	2	
2	0314602550	RUBBER SEAL	1	
3	0314900590	RUBBER SEAL	2	

DLW-400ES/ESA — NAME PLATE AND DECALS ASSY.

NAME PLATE AND DECALS ASSY.



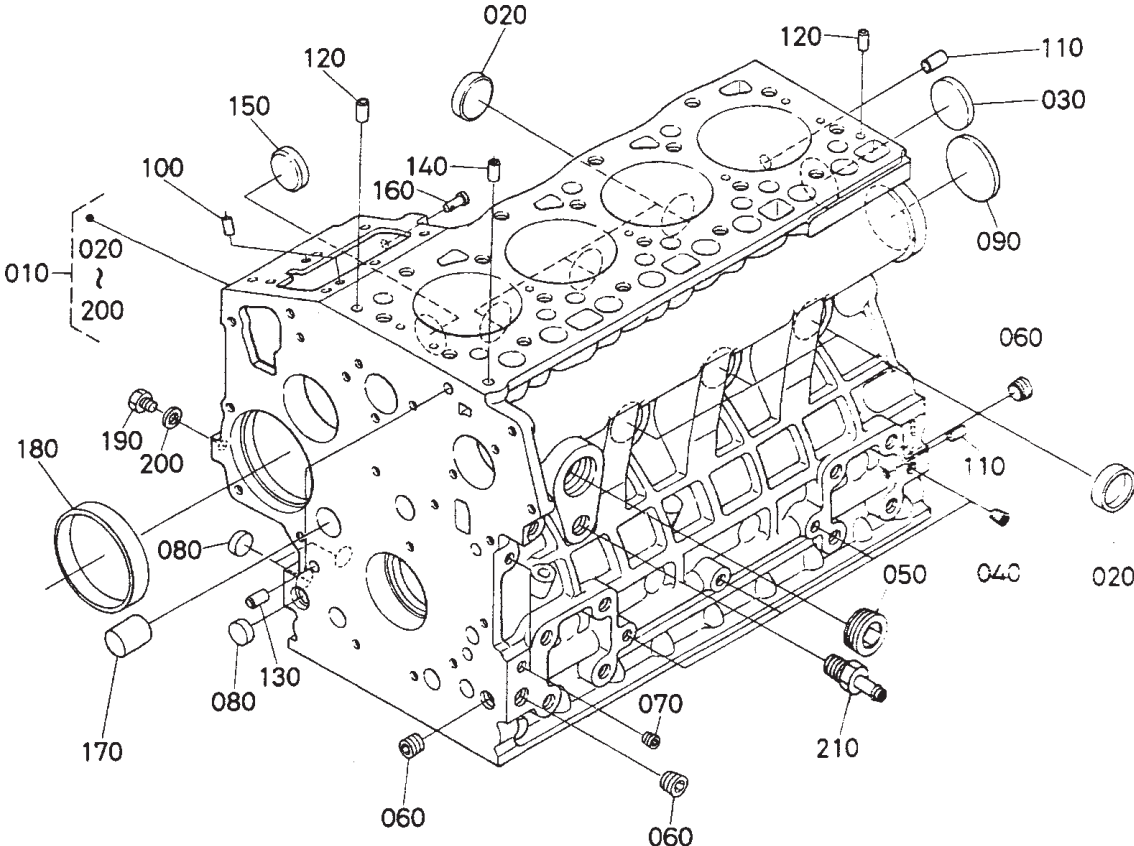
DLW-400ES/ESA — NAME PLATE AND DECALS ASSY.

NAME PLATE AND DECALS ASSY.

<u>NO.</u>	<u>PART NO.</u>	<u>PART NAME</u>	<u>QTY.</u>	<u>REMARKS</u>
1	0800628504	DECAL; GROUND	1	S-1123
2	1630645005	DECAL; OIL DRAIN	1	S-1403
3	1630647004	DECAL; COOLANT DRAIN	1	S-1404
4	1630610404	DECAL; CAUTION	1	S-1406
5	B9504501204	DECAL; USE #2 DIESEL FUEL ONLY	1	B90450120
6	1630610504	DECAL; CAUTION	1	S-1409
7	0820650604	DECAL; DANGER EXPLOSIVE GASES	1	
8	0800689404	DECAL; +	1	S-2090
9	0800689504	DECAL; -	1	S-2091
10	6390671104	DECAL; IMPORTANT "CHECK DAILY"	1	S-2377
11	7800680104	DECAL; FUEL DRAIN	1	S-3060
12	7810680204	DECAL; COOLING WATER	1	S-3061
13	0820610404	DECAL; WARNING	1	S-3627
14	1980680004	DECAL; FUEL COCK	1	S-3704
15	8700615204	DECAL; FUEL GAUGE	1	S-4638A
16	8700611524	DECAL; CAUTION	1	S-4926B
18	8700611613	DECAL; OPERATING PROCEDURE	1	S-4937A
19	8700611804	DECAL; WARNING	1	S-4984
20	8700611904	DECAL; DANGER ELECTRICAL SHOCK HAZARD	1	S-4985
21	B9504000304	DECAL; CAUTION HOT PARTS	1	B90400030
22	B9504000404	DECAL; WARNING MOVING PARTS	1	B9040 040
23	B9504100104	DECAL; WARNING HOT COOLANT	1	B90410010
24	B95045 00004	DECAL; WARNING DIESEL FUEL	1	B90450000
25	B9511100304	DECAL; WARNING	1	B91110030
26	D3561000104	DECAL; MQ	3	
27	D5551001703	DECAL; AC POWER OUTPUT	1	D55100170
28	D4551002304	DECAL; AC CIRCUIT PROTECTOR	1	D45100230
29	D5551001904	DECAL; TERMINAL A	1	JD55100190
30	D5551002004	DECAL; TERMINAL B	1	D55100200
31	D5551002104	DECAL; WELDING OUTPUT TERMINAL A	1	D55100210
32	D5551002204	DECAL; WELDING OUTPUT TERMINAL B	1	D55100220
33	D5551002402	DECAL; CONTROL PANEL	1	
34	D5562000002	DECAL; MQ WHISPER WELD	1	D56200000
35	D5562100002	STRIPE	1	
36	D5562100102	STRIPE	1	
37	D9512100203	DECAL; DANGER & CAUTION	1	D91210020
38	D9522100204	DECAL; PROPOSITION 65 WARNING	1	D92210020
39	D9531100004	DECAL; DANGER(GROUND)	1	D93110000
40	A9504000014	DECAL; DANGER	1	D90400001

KUBOTA V1305-E2B/E3B — CRANKCASE ASSY.

CRANKCASE ASSY.



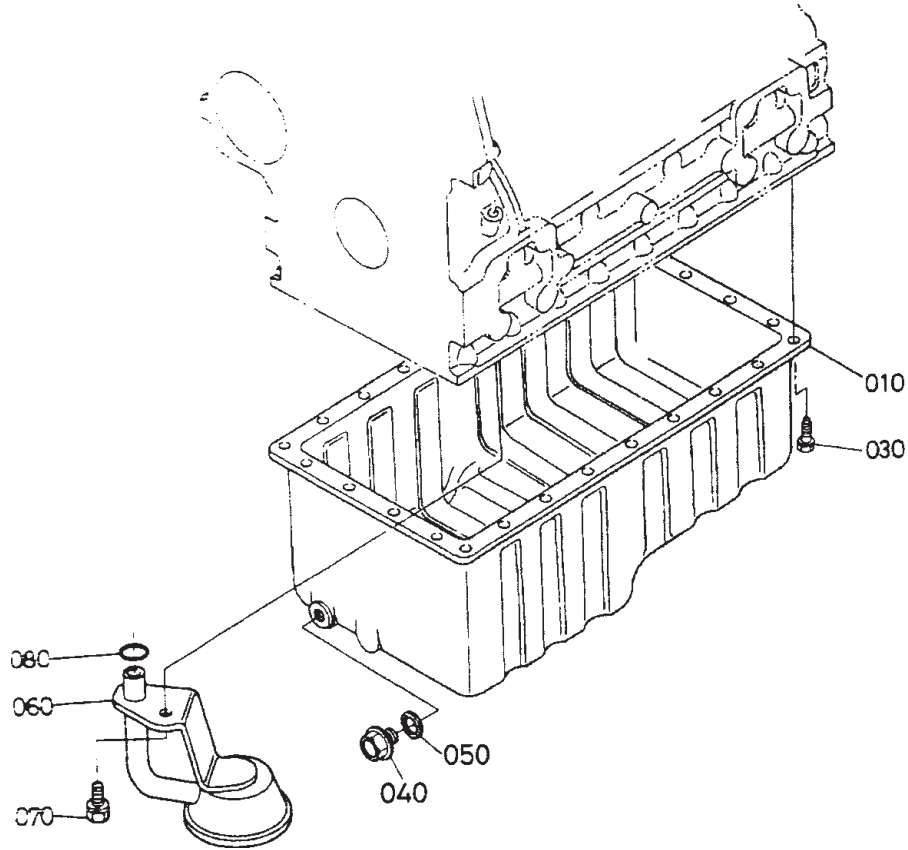
KUBOTA V1305-E2B/E3B — CRANKCASE ASSY.

CRANKCASE ASSY.

<u>NO.</u>	<u>PART NO.</u>	<u>PART NAME</u>	<u>QTY.</u>	<u>REMARKS</u>
010	1G69601012	COMP. CRANKCASE	1	
020	1545196270	CAP, SEALING	6	
030	1522103490	CAP, SEALING	1	
040	1526196010	PLUG	1	
050	1668396020	PLUG	1	
060	1624196010	PLUG	3	
070	1552196020	PLUG	2	
080	1739196160	PLUG, EXPANSION	3	
090	1627196160	PLUG, EXPANSION	1	
100	0501200508	PIN, STRAIGHT	2	
110	0501200814	PIN, STRAIGHT	2	
120	0501200610	PIN, STRAIGHT	2	
130	1523133960	PIN, PIPE	2	
140	1624133650	PIN, PIPE	1	
150	1624196262	PLUG	1	
160	1622156280	PIN, START SPRING	1	
170	1628296010	PLUG	1	
180	1627155350	BUSH, GOVERNOR GEAR	1	
190	1522133610	PLUG	1	
200	1502133660	GASKET	1	
210	1584773130	JOINT, DRAIN PIPE	1	

KUBOTA V1305-E2B/E3B — OIL PAN ASSY.

OIL PAN ASSY.



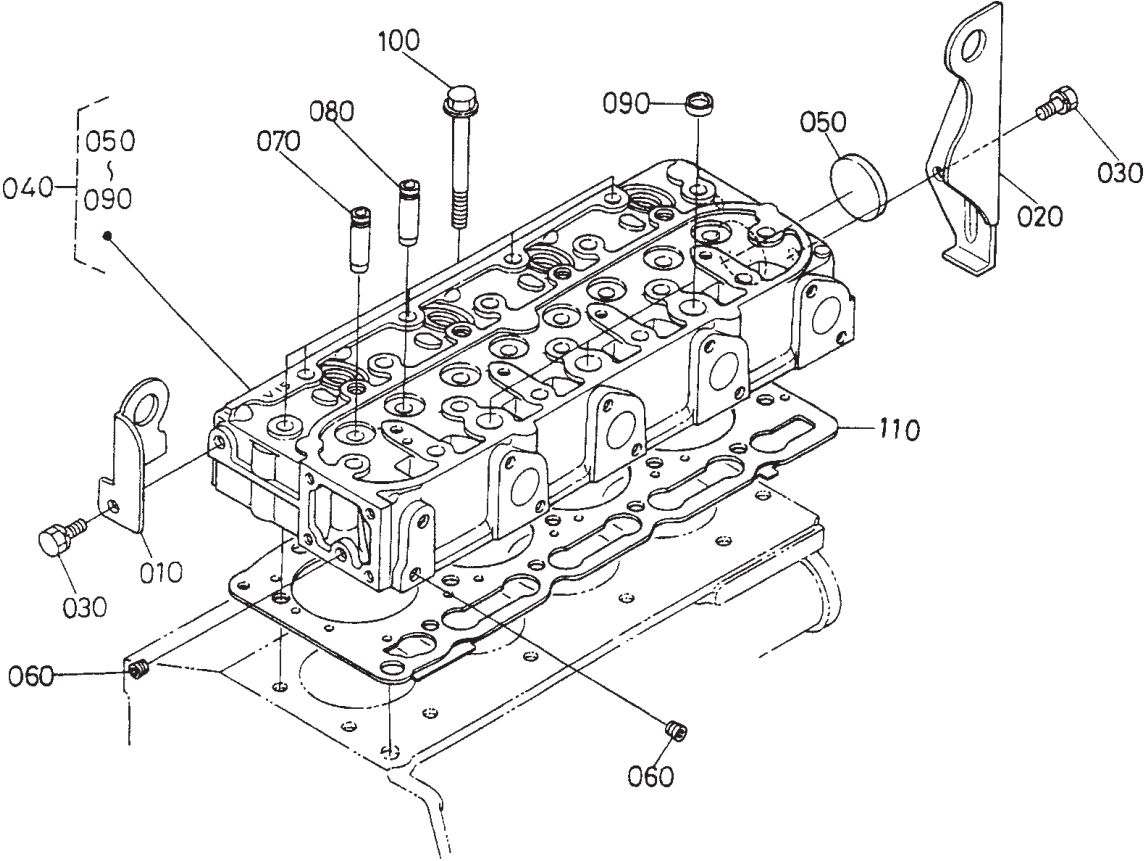
KUBOTA V1305-E2B/E3B — OIL PAN ASSY.

OIL PAN ASSY.

<u>NO.</u>	<u>PART NO.</u>	<u>PART NAME</u>	<u>QTY.</u>	<u>REMARKS</u>
010	1628201500	COMP. OIL PAN	1	
030	1622191122	BOLT	26	V1305-E2B ONLY
030	0102350614	BOLT	26	V1305-E3B ONLY
040	1390133750	PLUG, DRAIN	1	
050	6C09058960	GASKET	1	
060	1622632114	FILTER, OIL	1	
070	0112360816	BOLT	1	
080	0481400160	O-RING	1	

KUBOTA V1305-E2B/E3B — CYLINDER HEAD ASSY.

CYLINDER HEAD ASSY.



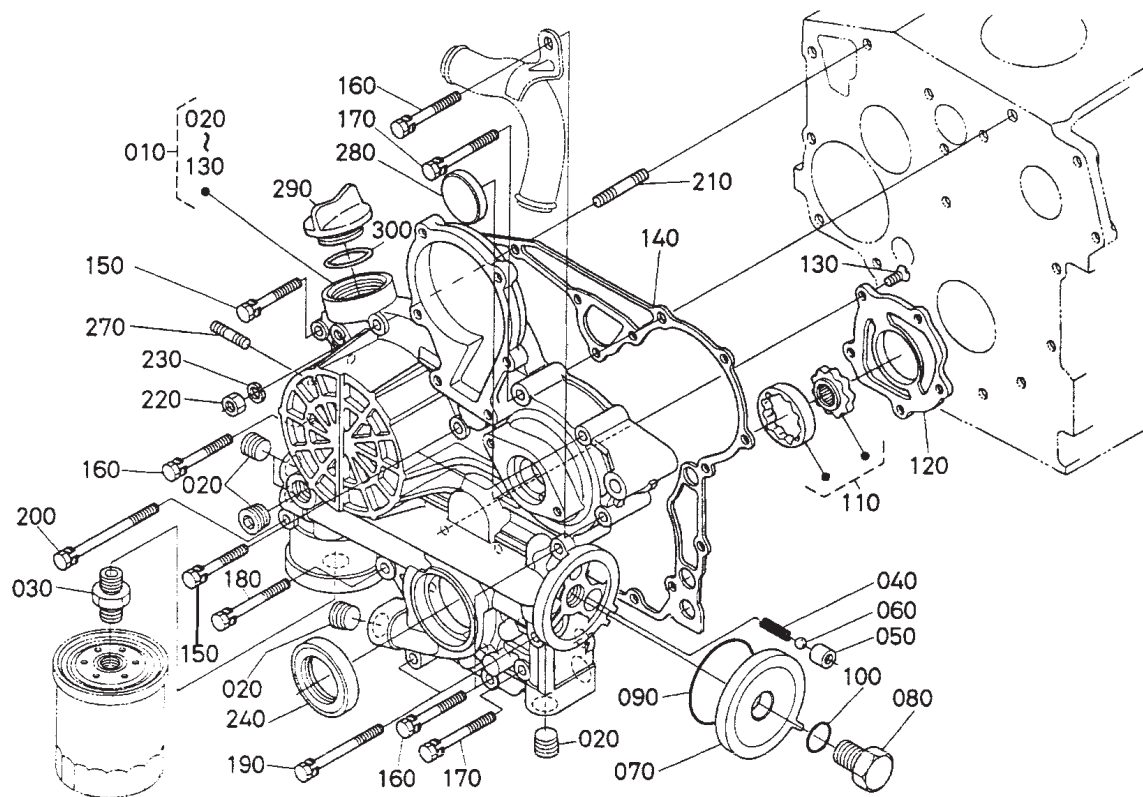
KUBOTA V1305-E2B/E3B — CYLINDER HEAD ASSY.

CYLINDER HEAD ASSY.

<u>NO.</u>	<u>PART NO.</u>	<u>PART NAME</u>	<u>QTY.</u>	<u>REMARKS</u>
010	1624101750	HOOK, ENGINE	1	
020	1624101770	HOOK, ENGINE	1	
030	0112360814	BOLT	2	
040	1G07403043	COMP. CYLINDER HEAD	1	V1305-E2B ONLY
040	1G68303043	COMP. CYLINDER HEAD	1	V1305-E3B ONLY
050	1532196260	CAP, SEAL ING	1	
060	1526196010	PLUG	2	
070	1626113540	GUIDE, INLET VALVE	4	
080	1626113560	GUIDE, EXHAUST VALVE	4	
090	1526103370	CAP, SEAL ING	1	
100	1624103450	BOLT, CYLINDER HEAD	1	
110	1G07803310	GASKET, CYLINDER HEAD	1	

KUBOTA V1305-E2B/E3B — GEAR CASE ASSY.

GEAR CASE ASSY.



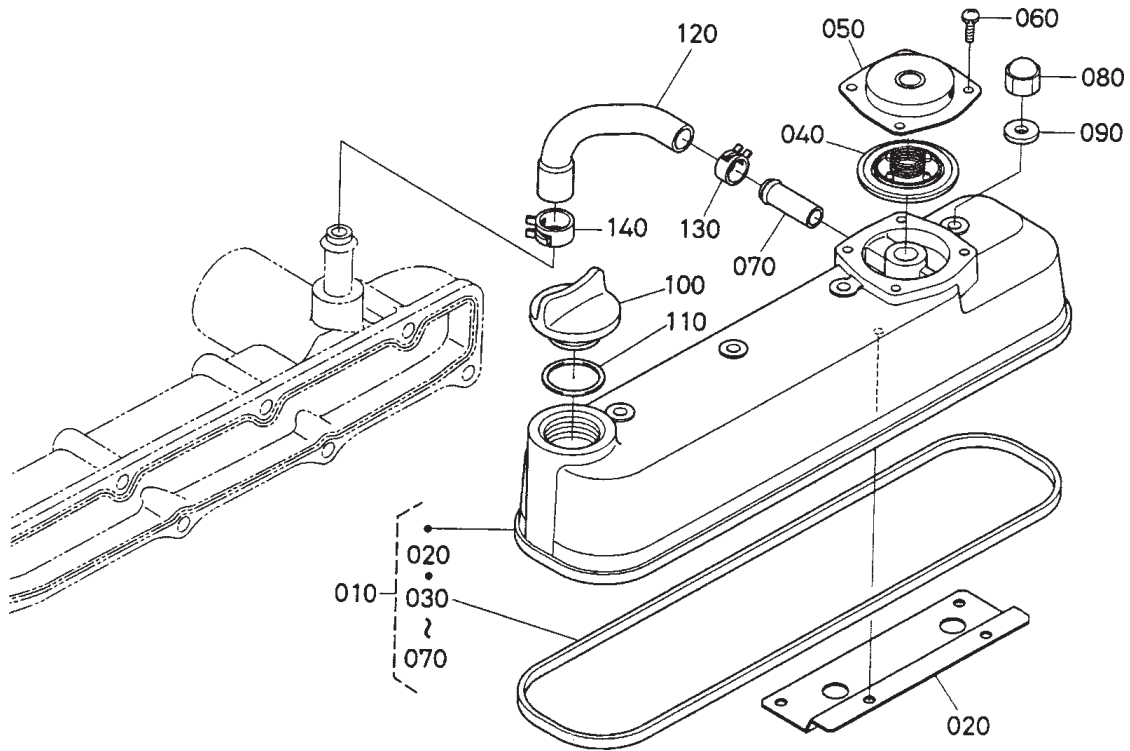
KUBOTA V1305-E2B/E3B — GEAR CASE ASSY.

GEAR CASE ASSY.

<u>NO.</u>	<u>PART NO.</u>	<u>PART NAME</u>	<u>QTY.</u>	<u>REMARKS</u>
010	1623904022	COMP. CASE GEAR	1	
020	1626196020	PLUG	5	
030	1524132290	JOINT PIPE	1	
040	1624136950	SPRING	1	
050	1624136930	SEAT, VALVE	1	
060	0771500201	BALL	1	
070	1625932882	COVER	1	
080	1625932900	BOLT	1	
090	0481450600	O-RING	1	
100	0481400150	O-RING	1	
110	1624135070	ROTOR, OIL PUMP ASSY.	1	
120	1625935132	COVER, OIL PUMP	1	
130	1624193120	SCREW, CSK HD	1	
140	1626404130	GASKET, GEAR CASE	1	V1305-E2B ONLY
140	1626404132	GASKET, GEAR CASE	1	V1305-E3B ONLY
150	0102350645	BOLT	3	
160	0102360650	BOLT	4	
170	0102350655	BOLT	2	
180	1584191040	BOLT	1	
190	1624191040	BOLT	2	
200	1625991040	BOLT	1	
210	1624591530	STUD	1	
220	0205650060	NUT	1	
230	0451260060	WASHER, LOCK	1	V1305-E2B ONLY
240	1625904210	SEAL, OIL	1	
270	1624591540	STUD	2	
280	1626483342	COVER, GEAR CASE	1	
290	E915133140	PLUG, OIL FILLER	1	
300	0481450300	O-RING	1	

KUBOTA V1305-E2B/E3B — HEAD COVER ASSY.

HEAD COVER ASSY.



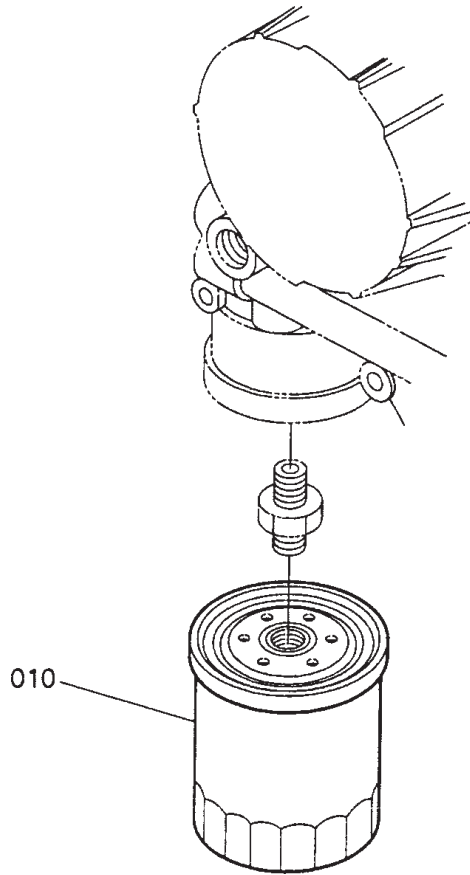
KUBOTA V1305-E2B/E3B — HEAD COVER ASSY.

HEAD COVER ASSY.

<u>NO.</u>	<u>PART NO.</u>	<u>PART NAME</u>	<u>QTY.</u>	<u>REMARKS</u>
010	1G07214504	COVER, CYL. HEAD ASSY.	1	V1305-E2B ONLY
010	1G07214506	COVER, CYL. HEAD ASSY.	1	V1305-E3B ONLY
020	1G03205370	SHIELD, OIL BREATHER	1	V1305-E2B ONLY
030	16241M5Z0	GASKET, HEAD COVER	1	
040	1G91105203	COMP. VALVE, BREATHER	1	
050	1080105120	CO'VER, BREATHER	1	
060	0302450510	SCREW, W/ WASHER	4	
070	1733173342	PIPE, WATER RETURN	1	
080	1595292330	NUT	4	
090	1595196660	GASKET	4	
100	E915133140	PLUG, OIL FILLER	1	
110	0481450300	O-RING	1	
120	1G03205510	TUBE, BREATHER	1	
130	0931888150	CLAMP, HOSE	1	
140	1625905580	CLAMP, HOSE	1	

KUBOTA V1305-E2B/E3B — OIL FILTER ASSY.

OIL FILTER ASSY.



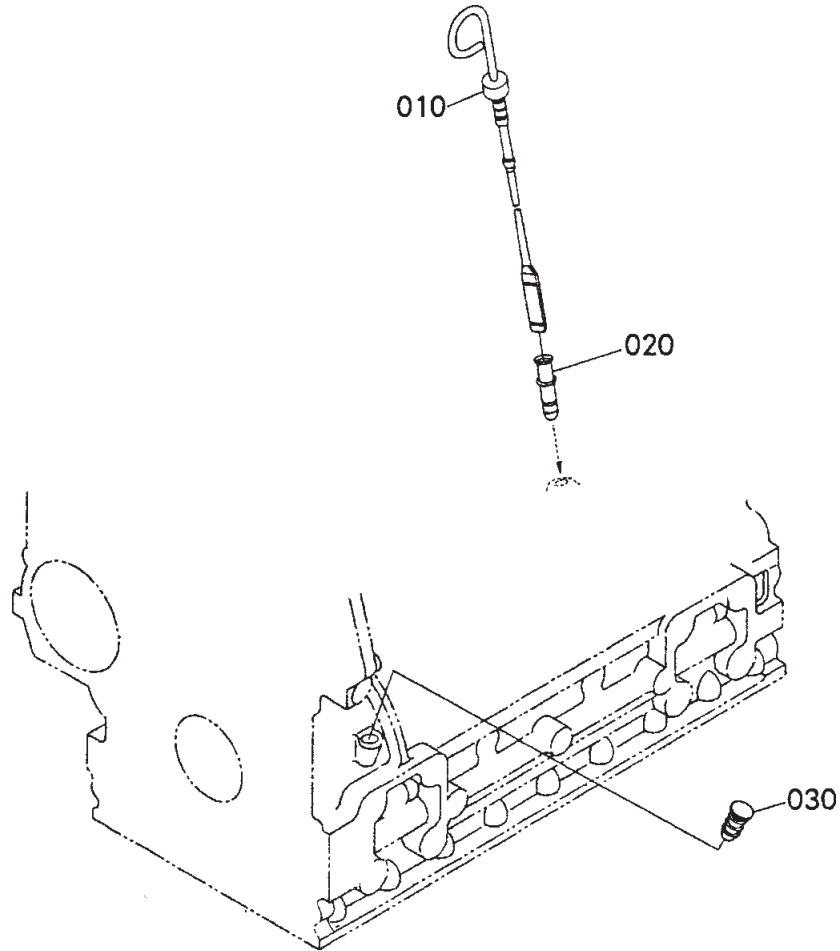
KUBOTA V1305-E2B/E3B — OIL FILTER ASSY.

OIL FILTER ASSY.

<u>NO.</u>	<u>PART NO.</u>	<u>PART NAME</u>	<u>QTY.</u>	<u>REMARKS</u>
010	1627132093	CARTRIDGE, OIL FILTER	1	

KUBOTA V1305-E2B/E3B — DIPSTICK AND GUIDE ASSY.

DIPSTICK AND GUIDE ASSY.



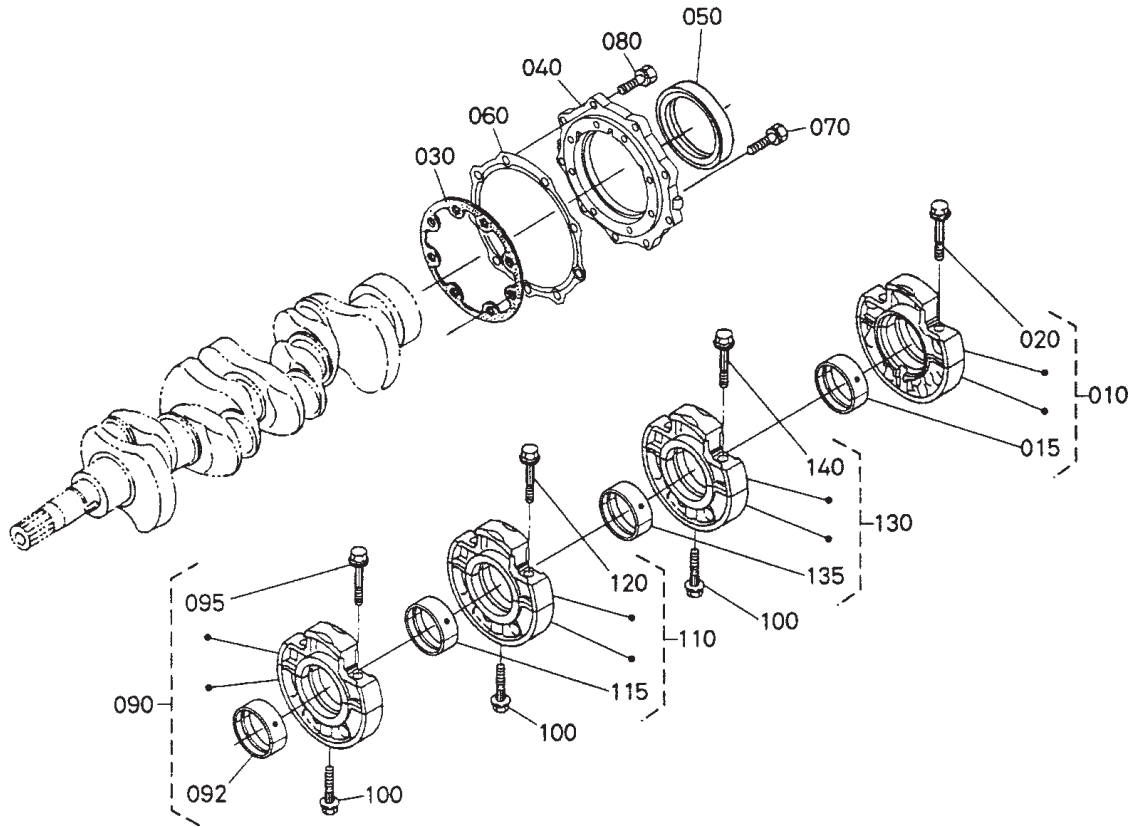
KUBOTA V1305-E2B/E3B — DIPSTICK AND GUIDE ASSY.

DIPSTICK AND GUIDE ASSY.

<u>NO.</u>	<u>PART NO.</u>	<u>PART NAME</u>	<u>QTY.</u>	<u>REMARKS</u>
010	1745636410	GAUGE,OIL	1	
020	1745636420	GUIDE,OIL GAUGE	1	
030	1G51336550	PLUG,OIL GAUGE	1	

KUBOTA D722E2B — MAIN BEARING CASE ASSY.

MAIN BEARING CASE ASSY.



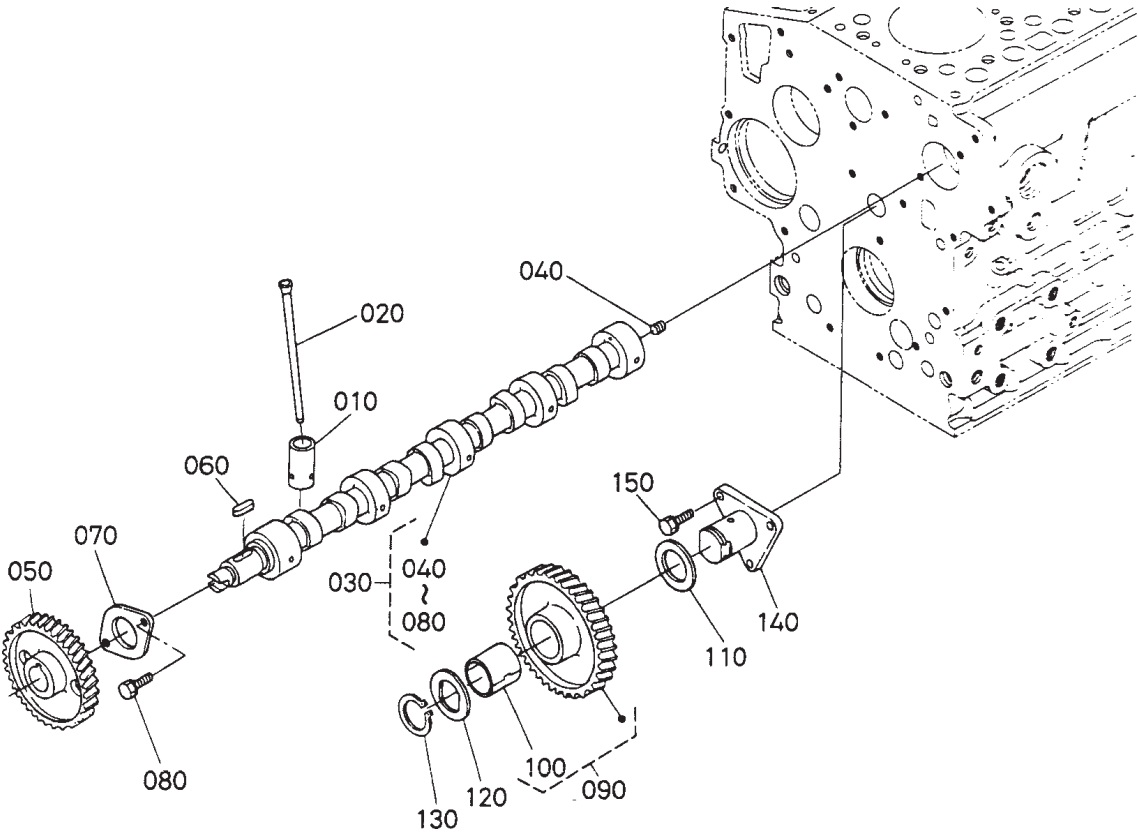
KUBOTA D722E2B — MAIN BEARING CASE ASSY.

MAIN BEARING CASE ASSY.

<u>NO.</u>	<u>PART NO.</u>	<u>PAR(NAME</u>	<u>QTY.</u>	<u>REMARKS</u>
010	1629207095	ASSY BRG. CASE, WHEEL	1	
015	1629223494	METAL, CRANKSHAFT (STD SET)	1	
015	1629223864	METAL, CRANKSHAFT (-0.20mm SET)	1	V1305-E2B ONLY
015	1629223874	METAL, CRANKSHAFT (-0.40mmSET)	1	V1305-E2B ONLY
020	1624104540	BOLT, BEARING CASE	2	
030	1626404360	GASKET, BRG. CASE	1	
040	1624104815	COVER, BEAR ING CASE	1	
050	1628504460	SEAL, OIL	1	
060	1626404822	GASKET, CASE COVER	1	
070	0102350625	BOLT	8	
080	0102350620	BOLT	9	
090	1626107045	ASSY BRG. CASE, MAIN	1	
092	1624123480	METAL, CRANKSHAFT (STD SET)	1	
092	1624123930	METAL, CRANKSHAFT (-0.20mmSET)	1	V1305-E2B ONLY
092	1624123940	METAL, CRANKSHAFT (-0.40mm SET)	1	V1305-E2B ONLY
095	1624104540	BOLT, BEARING CASE	2	
100	1624104560	BOLT, BEARING CASE	3	V1305-E2B ONLY
110	1626107055	ASSY BRG. CASE, MA IN	1	
115	1624123480	METAL, CRANKSHAFT (STD SET)	1	V1305-E2B ONLY
115	1624123930	METAL, CRANKSHAFT (-0.20mmSET)	1	V1305-E2B ONLY
115	1624123940	METAL, CRANKSHAFT (-0.40mm SET)	1	V1305-E2B ONLY
120	1624104540	BOLT, BEAR ING CASE	2	
130	1628207065	ASSY BRG. CASE, MA IN	1	V1305-E2B ONLY
130	1626107055	ASSY BRG. CASE, MA IN	1	V1305-E3B ONLY
135	1624123480	METAL, CRANKSHAFT (STD SET)	1	
135	1624123930	METAL, CRANKSHAFT (-0.20mm SET)	1	V1305-E2B ONLY
135	1624123940	METAL, CRANKSHAFT (-0.40mn SET)	1	V1305-E2B ONLY
140	1624104540	BOLT, BEAR ING CASE	2	

KUBOTA V1305-E2B/E3B — CAMSHAFT AND IDLE GEAR ASSY.

CAMSHAFT AND IDLE GEAR SHAFT ASSY.



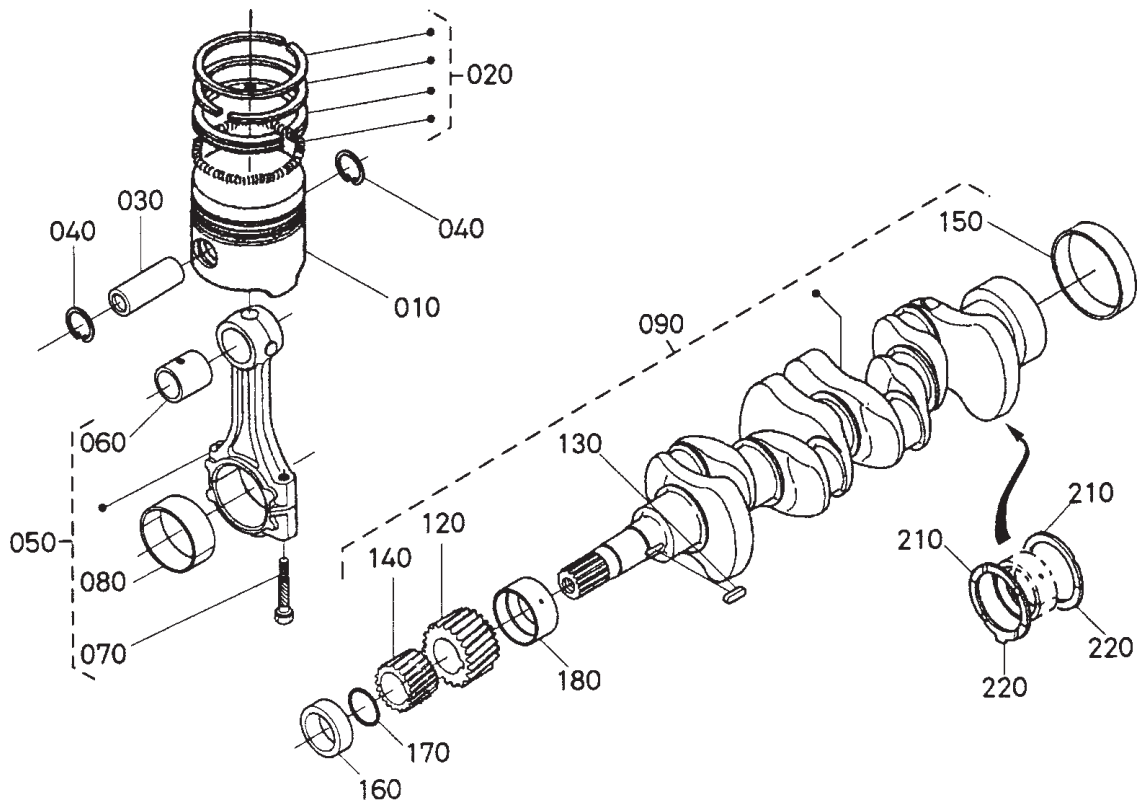
KUBOTA V1305-E2B/E3B — CAMSHAFT AND IDLE GEAR ASSY.

CAMSHAFT AND IDLE GEAR SHAFT ASSY.

<u>NO.</u>	<u>PART NO.</u>	<u>PART NAME</u>	<u>QTY.</u>	<u>REMARKS</u>
010	1G67315550	TAPPET	8	
020	1624115110	PUSH ROD	8	
030	1627116910	ASSY CAMSHAFT	1	
040	1552193610	SCREW, SET	1	
050	1624116510	GEAR, CAM	1	
060	0571200518	KEY, FEATHER	1	
070	1624116270	STOPPER, CAMSHAFT	1	
080	0102350616	BOLT	2	
090	1627124010	COMP GEAR, IDLE	1	
100	1627124980	BUSH, IDLE GEAR	1	
110	1624124360	COLLAR, IDLE GEAR	1	
120	1624124370	COLLAR, IDLE GEAR	1	
130	1624124320	CIR CLIP, IDLE GEAR	1	
140	1624124250	SHAFT, IDLE GEAR	1	
150	0102350616	BOLT	3	

KUBOTA V1305-E2B/E3B — PISTON AND CRANKSHAFT ASSY.

PISTON AND CRANKSHAFT ASSY.



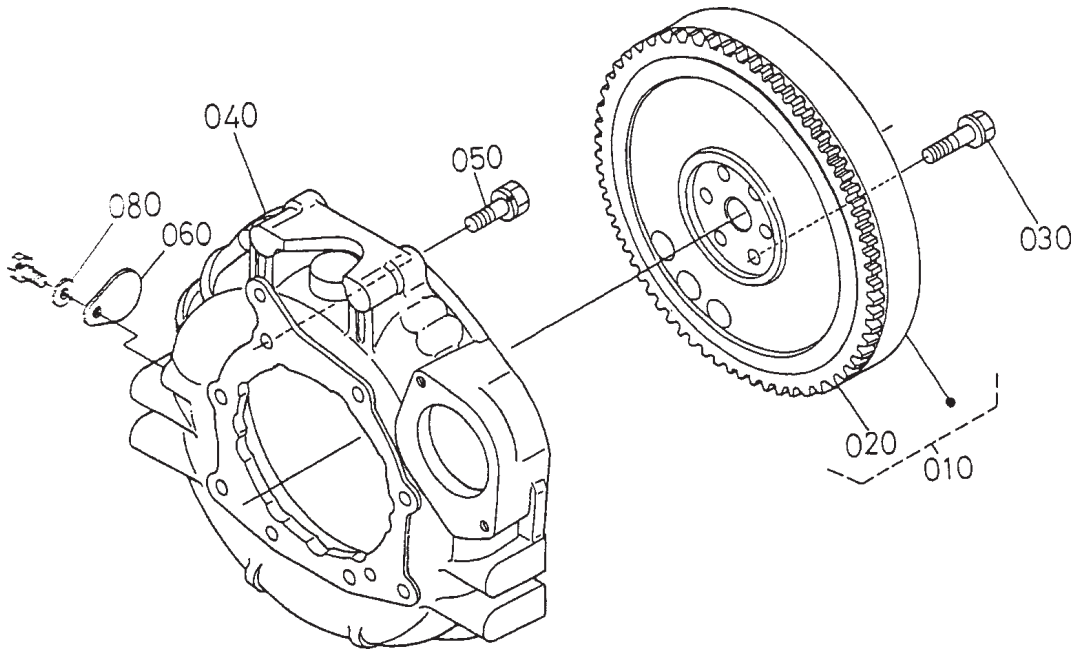
KUBOTA V1305-E2B/E3B — PISTON AND CRANKSHAFT ASSY.

PISTON AND CRANKSHAFT ASSY.

<u>NO.</u>	<u>PART NO.</u>	<u>PART NAME</u>	<u>QTY.</u>	<u>REMARKS</u>
010	1605021113	PISTON (STD)	4	
010	1605021913	PISTON (+0.5mm)	4	
020	1627121050	PISTON RING ASSY (STD)	4	
020	1627121090	ASSY PISTON RING (+0.5mm)	4	
030	1624121310	PIN, PISTON	4	
040	1624121330	CIR CLIP, PISTON PIN	8	
050	1G70022010	ASSY ROD, CONNECT ING	4	
060	1G70021980	BUSH, PISTON PIN	4	
070	1624122142	BOLT, CONNECT ING ROD	8	
080	1624122310	METAL, CRANKP IN STD SET	4	
080	1624122970	METAL, CRANKP IN -0.20mm SET	4	
080	1624122980	METAL, CRANKP IN (-0.40mm SET)	4	
090	1624123014	COMP. CRANKSHAFT	1	
120	1624124110	GEAR, CRANK	1	
130	1627195230	KEY	1	
140	1624135630	GEAR, OIL PUMP DRIVE	1	
150	1624123280	SLEEVE, CRANKSHAFT	1	
160	1624123250	COLLAR, CRANKSHAFT	1	
170	0481410280	RING	1	
180	1624123470	METAL, CRANKSHAFT (STD. SET)	1	
180	1624123910	METAL, CRANKSHAFT (-0.20mm)	1	
180	1624123920	METAL, CRANKSHAFT (-0.40mm)	1	
190	1624123480	METAL, CRANKSHAFT (STD SET)	3	
190	1624123930	METAL, CRANKSHAFT (-0.2mm SET)	3	
190	1624123940	METAL, CRANKSHAFT (-0.4mm SET)	3	
200	1629223494	METAL, CRANKSHAFT (STD. SET)	1	
200	1629223864	METAL, CRANKSHAFT (-0.20mm)	1	
200	1629223874	METAL, CRANKSHAFT (-0.40mm)	1	
210	1552123530	METAL, SIDE STD	2	
210	1552123950	METAL, SIDE +0.20mm	2	
210	1552123960	METAL, SIDE +0.40mm	2	
220	1920223540	METAL, SIDE STD.	2	
220	1920223970	METAL, SIDE +0.20mm	2	
220	1920223980	METAL, SIDE +0.40mm	2	

KUBOTA V1305-E2B/E3B — FLYWHEEL ASSY.

FLYWHEEL ASSY.



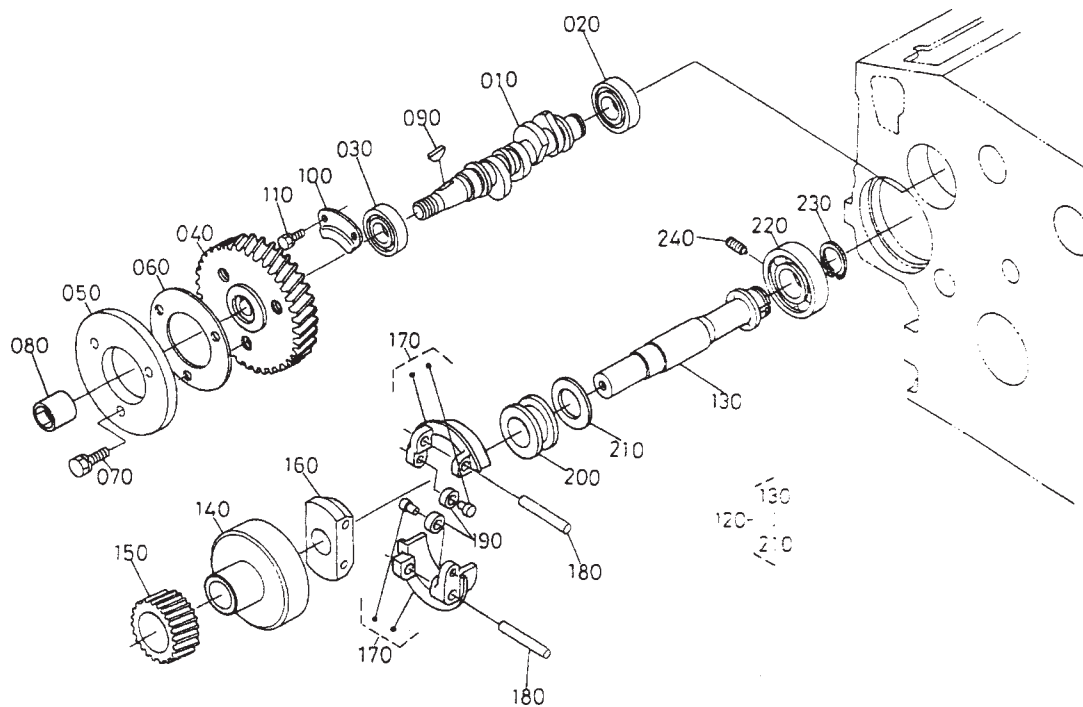
KUBOTA V1305-E2B/E3B — FLYWHEEL ASSY.

FLYWHEEL ASSY.

<u>NO.</u>	<u>PART NO.</u>	<u>PART NAME</u>	<u>QTY.</u>	<u>REMARKS</u>
010	1587825010	COMP., FLYWHEEL	1	
020	1681363820	GEAR, RING	1	
030	1553325162	BOLT, FLYWHEEL	5	
050	0112350822	BOLT	10	
060	3122014170	COVER	1	
070	0115350812	BOLT	1	
080	0451260080	WASHER, LOCK	1	

KUBOTA V1305-E2B/E3B — FUEL CAMSHAFT AND GOV. SHAFT ASSY.

FUEL CAMSHAFT AND GOVERNOR SHAFT ASSY.



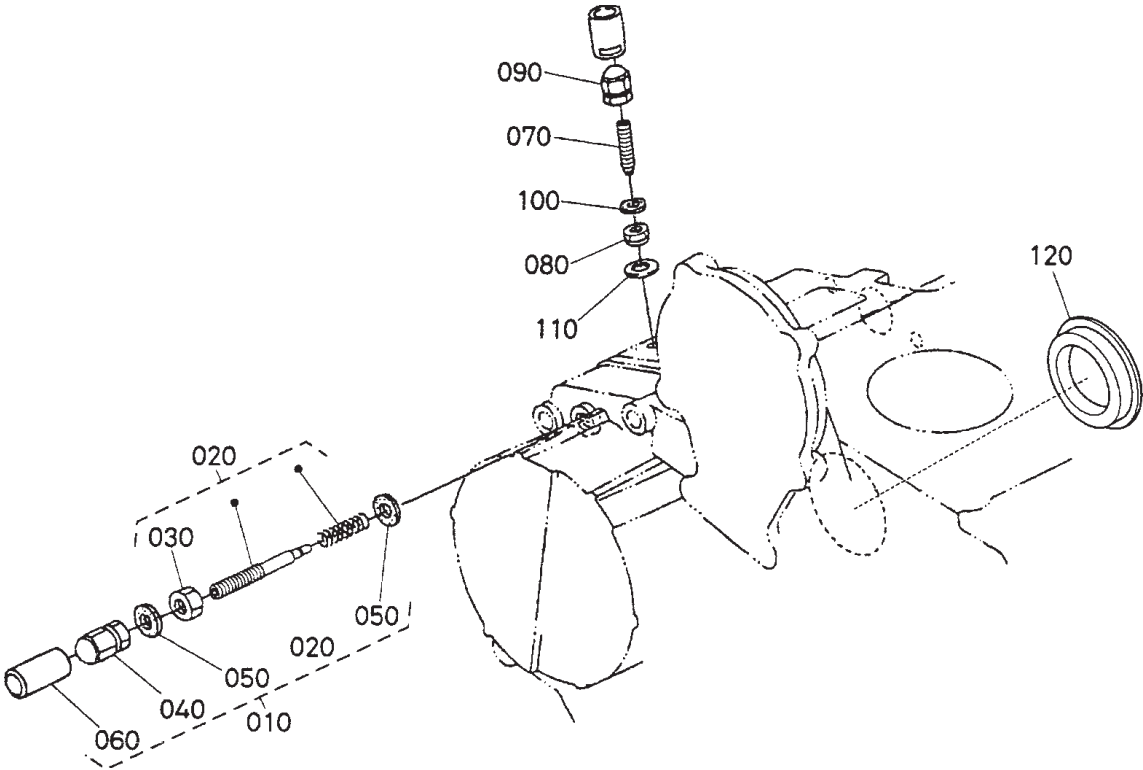
KUBOTA V1305-E2B/E3B — FUEL CAMSHAFT AND GOV. SHAFT ASSY.

FUEL CAMSHAFT AND GOVERNOR SHAFT ASSY.

<u>NO.</u>	<u>PART NO.</u>	<u>PART NAME</u>	<u>QTY.</u>	<u>REMARKS</u>
010	1604016170	CAMSHAFT, FUEL	1	
020	1626197300	BEAR ING, BALL	1	
030	1626197310	BEAR ING, BALL	1	
040	1627251150	GEAR, INJECTION PUMP	1	
050	1624151113	CAM, FUEL	1	
060	1624151190	WASHER	1	
070	0102350618	BOLT	3	
080	1624192330	NUT	1	
090	1624195230	KEY, WOODRUFF	1	
100	1624116320	STOPPER, FUEL. C/SHAFT	1	
110	0102350616	BOLT	2	
120	1628255013	ASSY SHAFT, GOVERNOR	1	
130	1627155313	SHAFT, GOVERNOR	1	
140	1624155392	HOLDER, GOVERNOR GEAR	1	
150	1628255320	GEAR, GOVERNOR	1	
160	1624155270	HOLDER, GOV. WEIGHT	1	
170	1624155062	COMP.WEIGHT, GOVERNOR	2	
180	1624155260	SHAFT, GOV. WEIGHT	2	
190	1948455440	ROLLER	2	
200	1624155450	SLEEVE, GOVERNOR	1	
210	1624155463	WASHER, THRUST	1	
220	1626197320	BEAR ING, BALL	1	
230	1627155410	CIR CLIP, GOV. SHAFT	1	
240	1624155554	SCREW, SET	1	

KUBOTA V1305-E2B/E3B — IDLE APPARATUS ASSY.

IDLE APPARATUS ASSY.



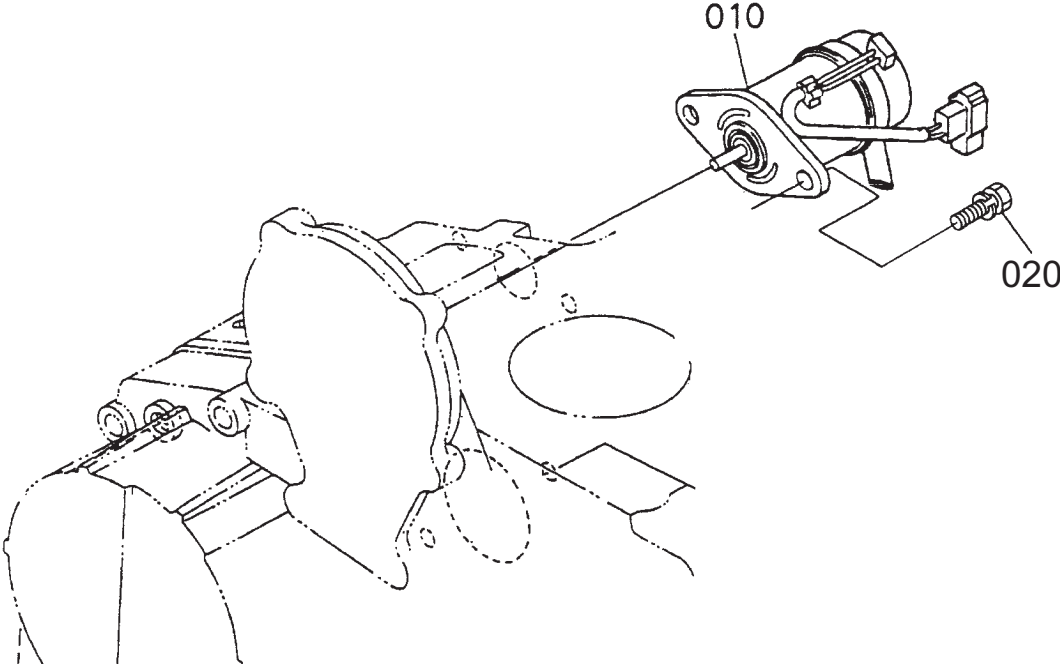
KUBOTA V1305-E2B/E3B — IDLE APPARATUS ASSY.

IDLE APPARATUS ASSY.

<u>NO.</u>	<u>PART NO.</u>	<u>PART NAME</u>	<u>QTY.</u>	<u>REMARKS</u>
010	1625954093	APPARATUS, IDLING	1	
020	1625954103	BOLT, ADJUSTMENT ASSY	1	
030	1584192020	NUT	1	
040	1585292330	NUT	1	
050	1560196650	GASKET	2	
060	1622154420	CAP	1	
070	1624154122	BOLT, ADJUSTING	1	
080	1G03154210	NUT, LOCK	1	
090	1585292330	NUT	1	
100	1560196650	GASKET	1	
110	1G02196650	GASKET	1	
120	1626483153	COVER, HYDRAULIC PUMP	1	

KUBOTA V1305-E2B/E3B — STOP SOLENOID ASSY.

STOP SOLENOID ASSY.



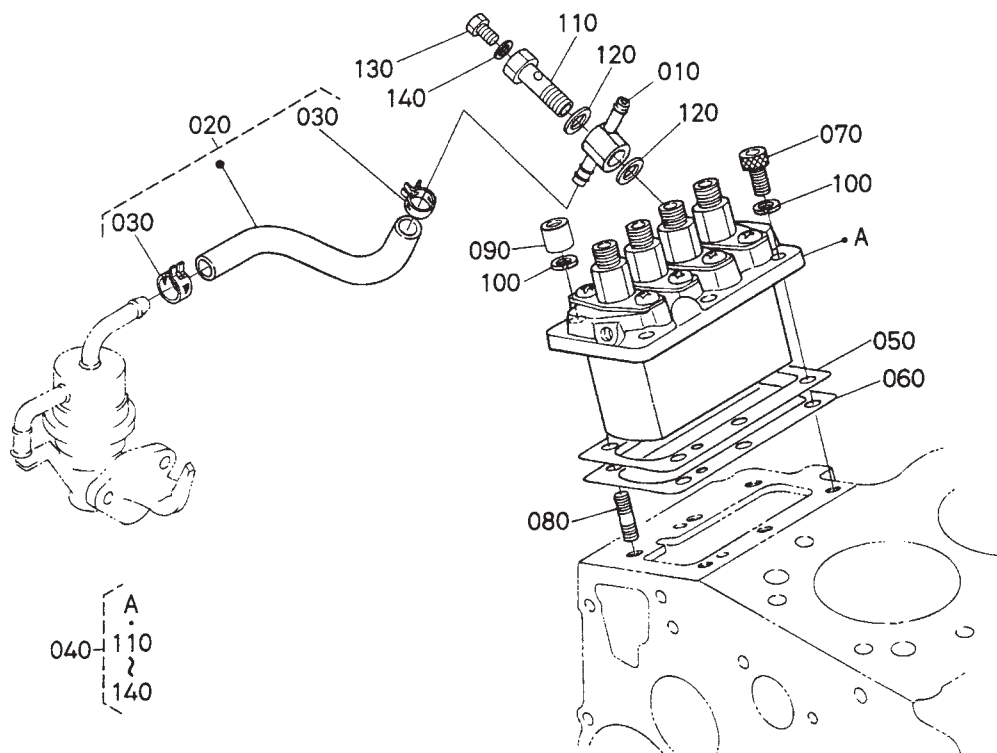
KUBOTA V1305-E2B/E3B — STOP SOLENOID ASSY.

STOP SOLENOID ASSY.

<u>NO.</u>	<u>PART NO.</u>	<u>PART NAME</u>	<u>QTY.</u>	<u>REMARKS</u>
010	1627160012	SOLENOID, STOP	1	
020	0120250614	BOLT	2	

KUBOTA V1305-E2B/E3B — INJECTION PUMP ASSY.

INJECTION PUMP ASSY.



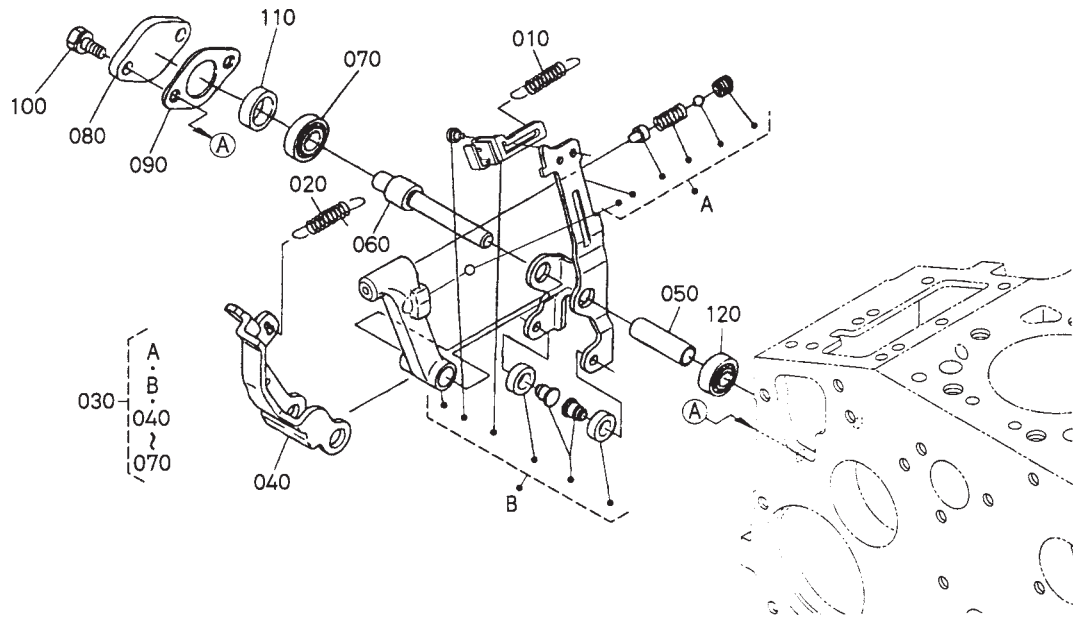
KUBOTA V1305-E2B/E3B — INJECTION PUMP ASSY.

INJECTION PUMP ASSY.

<u>NO.</u>	<u>PART NO.</u>	<u>PART NAME</u>	<u>QTY.</u>	<u>REMARKS</u>
010	1627195690	JOINT, EYE	1	
020	1624142010	PIPE, FUEL ASSY.	1	
030	1491142750	CLIP, PIPE	2	
040	1606051010	PUMP, INJECTION ASSY.	1	V1305-E2B ONLY
040	1G67851012	PUMP, INJECTION ASSY.	1	V1305-E3B ONLY
050	1604052200	SHIM, INJECTION PUMP 0.175mm	1	
050	1604052092	SHIM, INJECTION PUMP 0.20mm	1	
050	1604052112	SHIM, INJECTION PUMP 0.25mm	1	
060	1604052122	SHIM, INJECTION PUMP 0.30mm	1	V1305-E2B ONLY
060	1604052160	SHIM, INJECTION PUMP 0.30mm	1	V1305-E3B ONLY
070	0131110620	BOLT, HEX SOC HD	3	V1305-E2B ONLY
070	1687191060	BOLT, HEX SOC HD	3	V1305-E3B ONLY
080	1584191500	STUD	3	
090	1584192320	NUT	3	
100	0451260060	WASHER, SPRING	6	
110	1603051320	BOLT, JOINT	1	
120	1584196650	GASKET	2	
130	1584151350	SCREW	1	
140	1584196660	GASKET	1	

KUBOTA V1305-E2B/E3B — GOVERNOR ASSY.

GOVERNOR ASSY. (E2B ONLY)



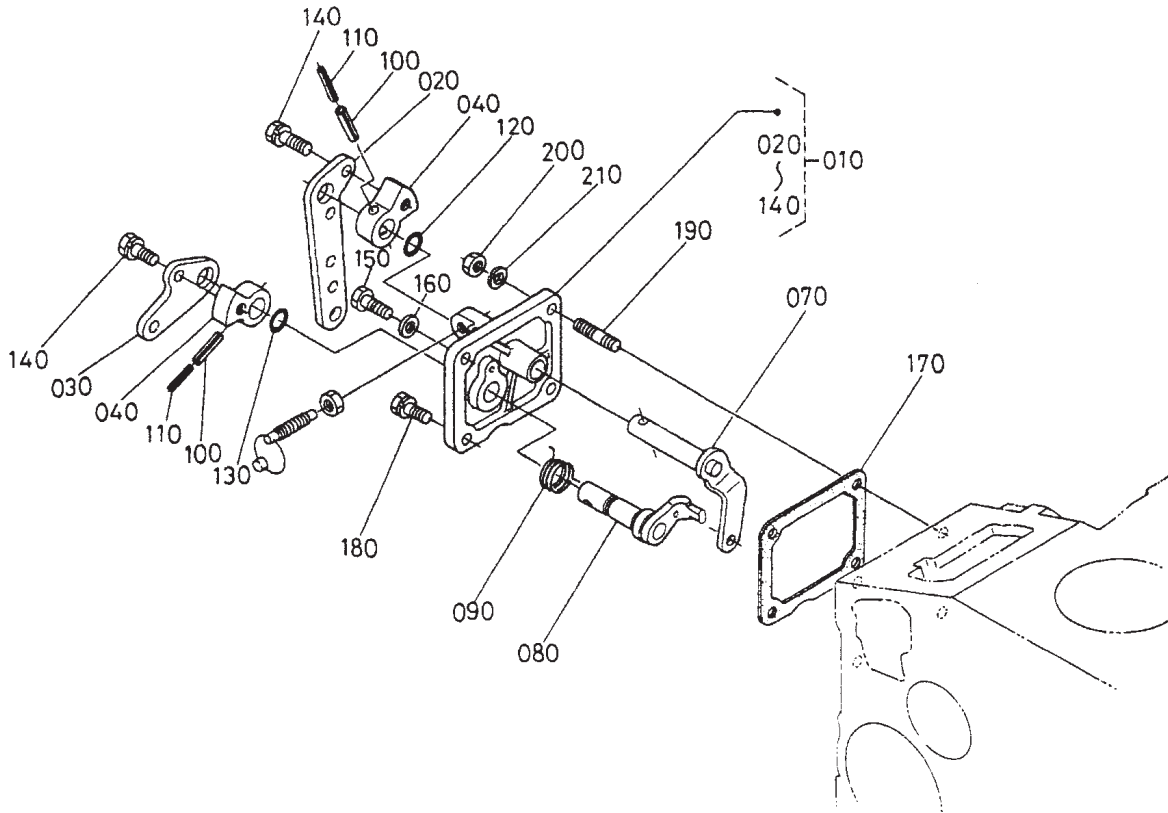
KUBOTA V1305-E2B/E3B — GOVERNOR ASSY.

GOVERNOR ASSY. (E2B ONLY)

<u>NO.</u>	<u>PART NO.</u>	<u>PART NAME</u>	<u>QTY.</u>	<u>REMARKS</u>
010	1628556480	SPRING, START	1	
020	1628556412	SPRING, GOVERNOR	1	
030	1605156010	ASSY LEVER, FORK	1	
040	1G03256130	LEVER, FORK	1	
050	1G03256150	SHAFT, FORK LEVER	1	
060	1G03256470	SHAFT, FORK LEVER	1	
070	1624156330	BEAR ING, MINIATURIZE	1	
080	1624156253	COVER, FORK LEV. SHAFT	1	
090	1629956260	GASKET	1	
100	0102350612	BOLT	2	
110	1624156210	COLLAR	1	
120	1624156340	BEARING, MINIATURIZE	1	

KUBOTA V1305-E2B — SPEED CONTROL PLATE ASSY.

SPEED CONTROL PLATE ASSY. (E2B ONLY)



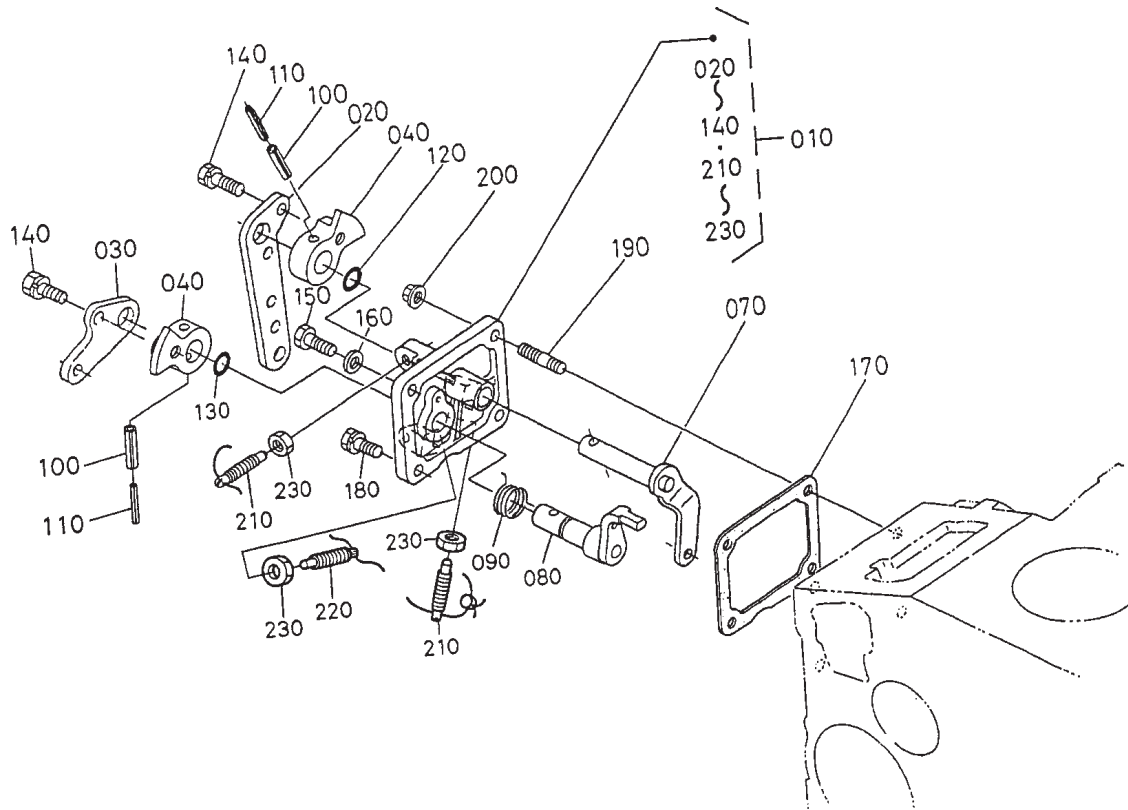
KUBOTA V1305-E2B — SPEED CONTROL PLATE ASSY.

SPEED CONTROL PLATE ASSY. (E2B ONLY)

<u>NO.</u>	<u>PART NO.</u>	<u>PART NAME</u>	<u>QTY.</u>	<u>REMARKS</u>
010	1720857010	PLATE, CONTROL ASSY	1	
020	1720857150	LEVER, SPEED CONTROL	1	
030	1620557720	LEVER, ENGINE	1	
040	1620557160	LEVER, SPEED CONTROL	2	
070	1620556020	COMP. LEVER, GOVERNOR	1	
080	1620557740	COMP. LEVER, STOP	1	
090	1620557510	SPRING, RETURN	1	
100	0541100420	PIN, SPRING	2	
110	0541102520	PIN, SPRING	2	
120	0481400100	O-RING	1	
130	0481410070	O-RING	1	
140	0102350612	BOLT	2	
150	0105350618	BOLT	1	
160	1560196650	GASKET	1	
170	1626457210	GASKET	1	
180	0102350616	BOLT	1	
190	1624591540	STUD	2	
200	0205650060	NUT	2	
210	0451260060	WASHER, LOCK	2	

KUBOTA V1305-E3B — SPEED CONTROL PLATE ASSY.

SPEED CONTROL PLATE ASSY. (E3B ONLY)



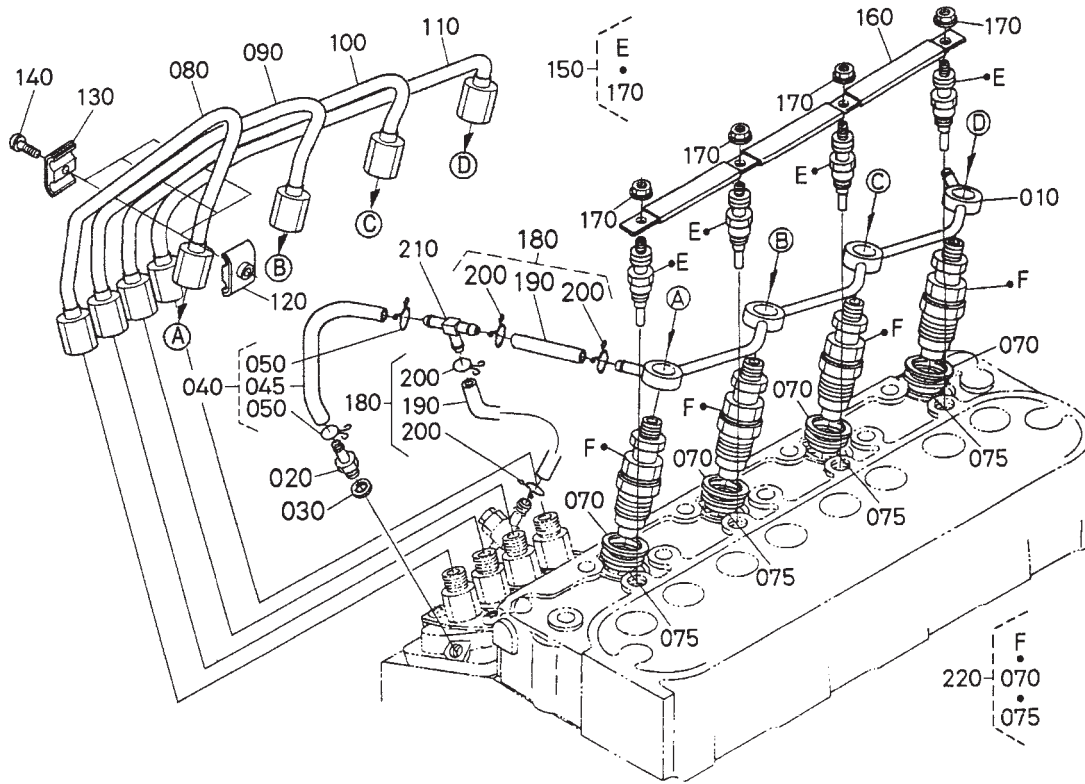
KUBOTA V1305-E3B — SPEED CONTROL PLATE ASSY.

SPEED CONTROL PLATE ASSY. (E3B ONLY)

<u>NO.</u>	<u>PART NO.</u>	<u>PART NAME</u>	<u>QTY.</u>	<u>REMARKS</u>
010	1720857015	PLATE, CONTROL ASSY.	1	
020	1720857150	LEVER, SPEED CONTROL	1	
030	1620557720	LEVER, ENGINE STOP	1	
040	1620557162	LEVER, SPEED CONTROL	2	
070	1620556020	COMP, LEVER, GOVERNOR	1	
080	1620557740	COMP, LEVER, STOP	1	
090	1620557510	SPRING, RETURN	1	
100	0541100420	PIN, SPRING	2	
110	0541102520	PIN, SPRING	2	
120	0481400100	O-RING	1	
130	0481410070	O-RING	1	
140	0102350612	BOLT	2	
150	0105350618	BOLT	1	
160	1560196650	GASKET	1	
170	1626457210	GASKET	1	
180	0102350616	BOLT	1	
190	1624591540	STUD	2	
200	0275150060	NUT, FLANGE	2	
210	1624157632	BOLT, ADJUSTING	2	
220	1G26357630	BOLT, ADJUSTING	1	
230	0205650060	NUT	3	

KUBOTA V1305-E2B/E3B — NOZZLE HOLDER AND GLOW PLUG ASSY.

NOZZLE HOLDER AND GLOW PLUG ASSY.



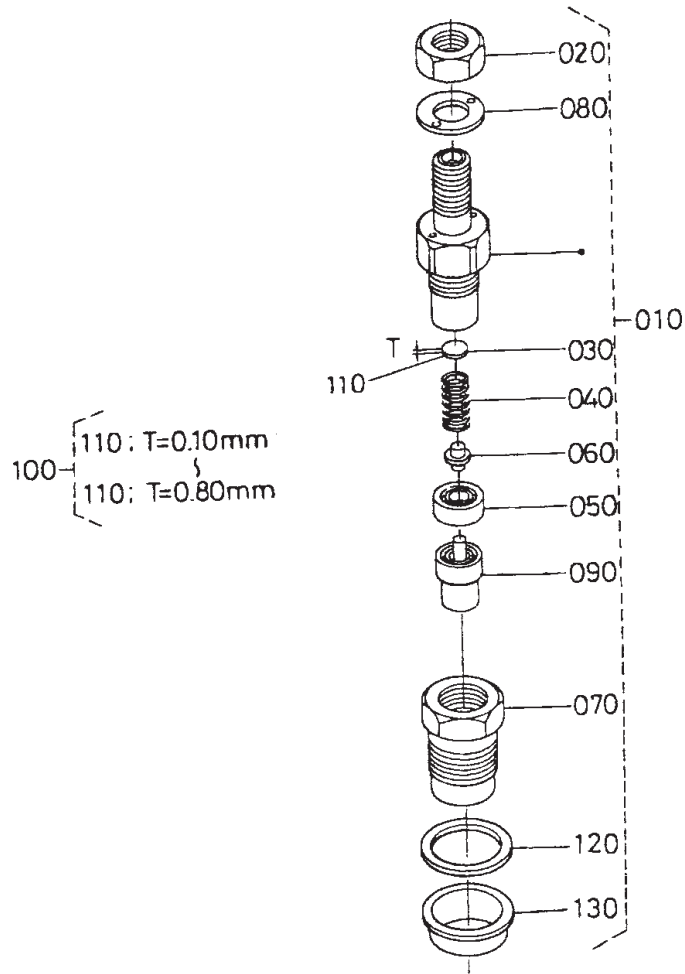
KUBOTA V1305-E2B/E3B — NOZZLE HOLDER AND GLOW PLUG ASSY.

NOZZLE HOLDER AND GLOW PLUG ASSY.

<u>NO.</u>	<u>PART NO.</u>	<u>PART NAME</u>	<u>QTY.</u>	<u>REMARKS</u>
010	1627142502	PIPE, OVER FLOW ASSY	1	
020	1584151360	SCREW, AIR BLEEDER	1	
030	1560196650	GASKET	1	
040	1753842020	PIPE, OVER FLOW ASSY	1	
045	0966140200	TUBE, FUEL	1	
050	1497142750	CLIP, PIPE	2	
070	1584153622	GASKET	4	
075	1907753650	SEAL, HEAT	4	
080	1627153712	PIPE, INJECTION	1	
090	1627153722	PIPE, INJECTION	1	
100	1627153732	PIPE, INJECTION	1	
110	1627153742	PIPE, INJECTION	1	
120	1584153850	CLAMP, PIPE	1	
130	1584153860	CLAMP, PIPE	3	
140	0302450520	SCREW, WITH WASHER	3	
150	1628165510	GLOW PLUG	4	
160	1627165560	CORD, GLOW PLUG	1	
170	0276150040	NUT, FLANGE	4	
180	1758242030	PIPE, OVER FLOW ASSY	2	
190	0966140060	TUBE, FUEL	2	
200	1497142750	CLIP, PIPE	4	
210	1G06542360	JOINT.TPIPE	1	
220	1G06553900	KIT HOLDER, NOZZLE	4	

KUBOTA V1305-E2B — NOZZLE HOLDER (COMPONET PARTS) ASSY.

NOZZLE HOLDER ASSY. (COMPONET PARTS V1305-E2B ONLY)



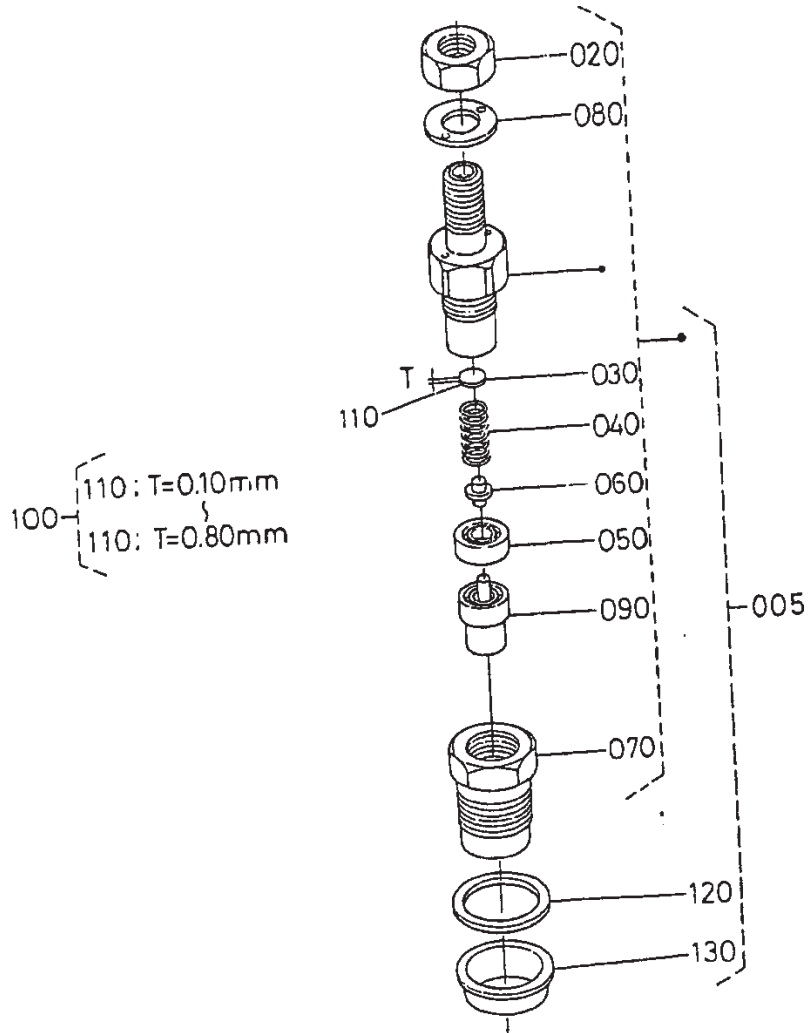
KUBOTA V1305-E2B — NOZZLE HOLDER (COMPONENT PARTS) ASSY.

NOZZLE HOLDER ASSY. (COMPONENT PARTS V1305-E2B ONLY)

<u>NO.</u>	<u>PART NO.</u>	<u>PART NAME</u>	<u>QTY.</u>	<u>REMARKS</u>
010	1G06553900	KIT HOLDER, NOZZLE	1	
020	1603292030	NUT	4	
030	1603253230	WASHER, ADJUSTING	4	
040	1603253170	SPRING, NOZZLE	4	
050	1603253350	SPACER, DISTANCE	4	
060	1603253160	PUSH ROD	4	
070	1603253280	NUT, NOZZLE	4	
080	1603294040	WASHER, PLAIN	4	
090	1G06553610	PIECE, NOZZLE	4	
100	1603298100	WASHER, ADJUST ASSY OPTION	4	
110	1603298500	WASHER, ADJUSTING 0.10mm	4	
110	1603298510	WASHER, ADJUSTING 0.20mm	4	
110	1603298520	WASHER, ADJUSTING	4	
110	1603298530	WASHER, ADJUSTING 0.40mm	4	
110	1603298540	WASHER, ADJUSTING 0.50mm	4	
110	1603298550	WASHER, ADJUSTING 0.52mm	4	
110	1603298560	WASHER, ADJUSTING 0.54mm	4	
110	1603298570	WASHER, ADJUSTING 0.56mm	4	
110	1603298580	WASHER, ADJUSTING 0.58mm	4	
110	1603298590	WASHER, ADJUSTING 0.80mm	4	
120	1584153622	GASKET	4	
130	1907753650	SEAL,HEAT	4	

KUBOTA V1305-E3B — NOZZLE HOLDER (COMPONET PARTS) ASSY.

NOZZLE HOLDER ASSY. (COMPONET PARTS V1305-E3B ONLY)



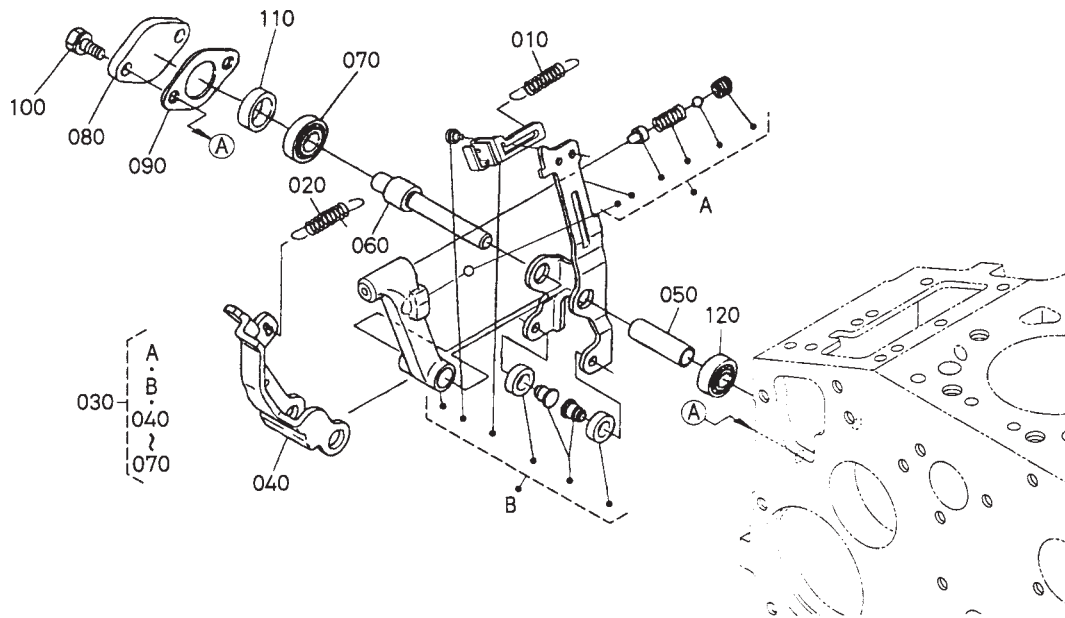
KUBOTA V1305-E3B — NOZZLE HOLDER (COMPONET PARTS) ASSY.

NOZZLE HOLDER ASSY. (COMPONET PARTS V1305-E3B ONLY)

<u>NO.</u>	<u>PART NO.</u>	<u>PART NAME</u>	<u>QTY.</u>	<u>REMARKS</u>
005	1G06553900	KIT HOLDER, NOZZLE	4	
020	1603292030	NUT	4	
030	1603253230	WASHER, ADJUSTING	4	
040	1603253170	SPRING, NOZZLE	4	
050	1603253350	SPACER, DISTANCE	4	
060	1603253160	PUSH ROD	4	
070	1603253280	NUT, NOZZLE	4	
080	1603294040	WASHER FLAT	4	
090	1G06553610	PIECE, NOZZLE	4	
100	1603298100	WASHER, ADJUST ASSY.	4	
110	1603298500	WASHER, ADJUSTING 0.10mm	4	
110	1603298510	WASHER, ADJUST ING 0.20mm	4	
110	1603298520	WASHER, ADJUSTING 0.30mm	4	
110	1603298530	WASHER, ADJUSTING 0.40mm	4	
110	1603298540	WASHER, ADJUSTING 0.50mm	4	
110	1603298550	WASHER, ADJUSTING 0.52mm	4	
110	1603298560	WASHER, ADJUSTING 0.54mm	4	
110	1603298570	WASHER, ADJUSTING 0.56mm	4	
110	1603298580	WASHER, ADJUSTING 0.58mm	4	
110	1603298590	WASHER, ADJUSTING 0.60mm	4	
120	1584153622	GASKET	4	

KUBOTA V1305-E2B/E3B — FORK LEVER (GOVERNOR) ASSY.

FORK LEVER (GOVERNOR) ASSY. (E3B ONLY)



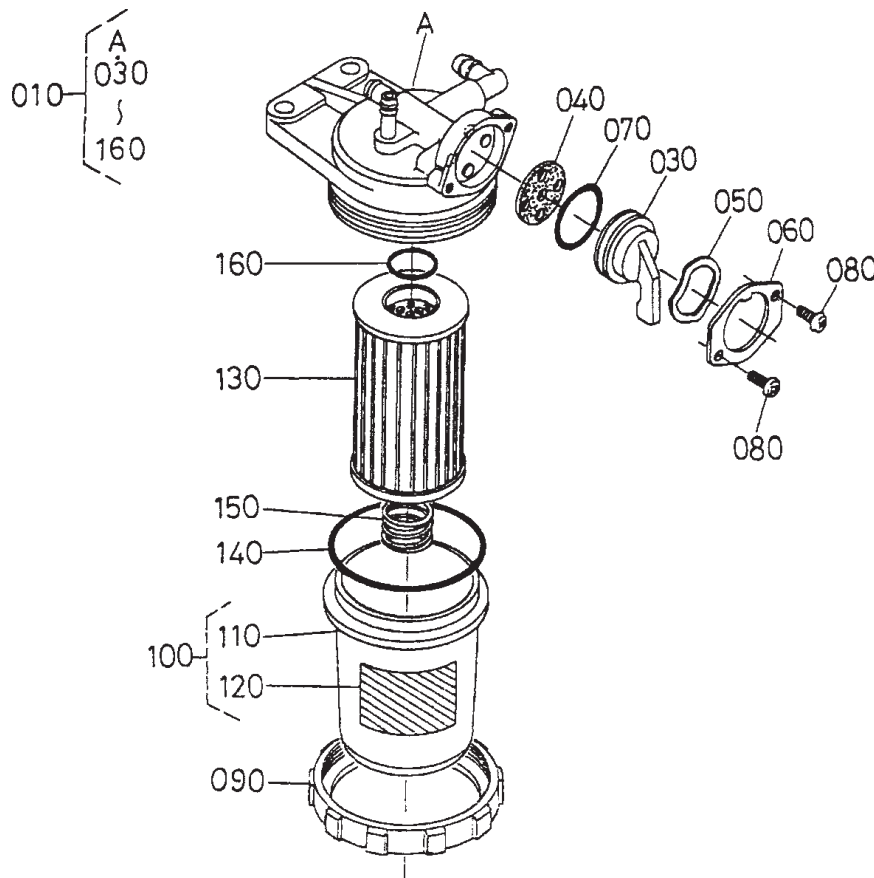
KUBOTA V1305-E2B/E3B — FORK LEVER (GOVERNOR) ASSY.

FORK LEVER (GOVERNOR) ASSY. (E3B ONLY)

<u>NO.</u>	<u>PART NO.</u>	<u>PART NAME</u>	<u>QTY.</u>	<u>REMARKS</u>
010	1A00143010	ASSY FILTER, FUEL	1	
010	1628556480	SPRING, START	1	
020	1628556412	SPRING, GOVERNOR	1	
030	1605156010	LEVER, FORK ASSY	1	
040	1948455440	ROLLER	2	
050	1627156214	LEVER, THRUST	1	
060	1G03256130	LEVER, FORK	1	
065	1606054230	SPRING	1	
066	0771503205	BALL	2	
070	1G03256150	SHAFT, FORK LEVER	1	
080	1G03256470	SHAFT, FORK LEVER	1	
090	1624156330	BEARING, MINIATURIZE	1	
100	1624156253	COVER, FORK LEV. SHAFT	1	
110	1629956260	GASKET	1	
120	0102350612	BOLT	2	
130	1624156210	COLLAR	1	

KUBOTA V1305-E2B/E3B — FUEL FILTER ASSY.

FUEL FILTER ASSY.



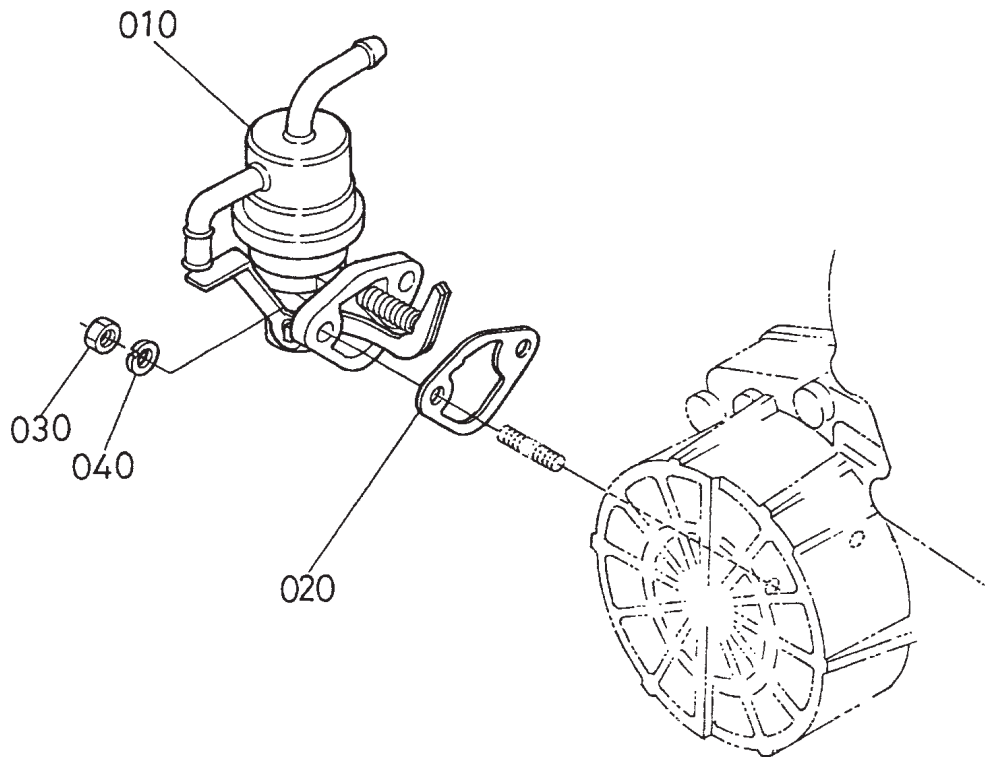
KUBOTA V1305-E2B/E3B — FUEL FILTER ASSY.

FUEL FILTER ASSY.

<u>NO.</u>	<u>PART NO.</u>	<u>PART NAME</u>	<u>QTY.</u>	<u>REMARKS</u>
010	1A00143010	ASSY FILTER, FUEL	1	
030	1552143522	HANDLE, FILTER	1	
040	1552143672	GASKET	1	
050	1A00143540	PLATE, THRUST	1	
060	1552143552	RETAINER, HANDLE	1	
070	0481110290	O-RING	1	
080	0305450308	SCREW, PANHEAD	2	
090	1552143150	RING, RETAINER	1	
100	1552143100	ASSY CUP, FILTER	1	
110	1A00143130	CUP, FILTER	1	
120	1687388430	LABEL, FUEL	1	
130	1A00143160	ELEMENT, FILTER	1	
140	0481150650	O-RING	1	
150	1A00143930	SPRING	1	
160	0481600160	O-RING	1	

KUBOTA V1305-E2B/E3B — FUEL PUMP (MECHANICAL) ASSY.

FUEL PUMP ASSY. (MECHANICAL)



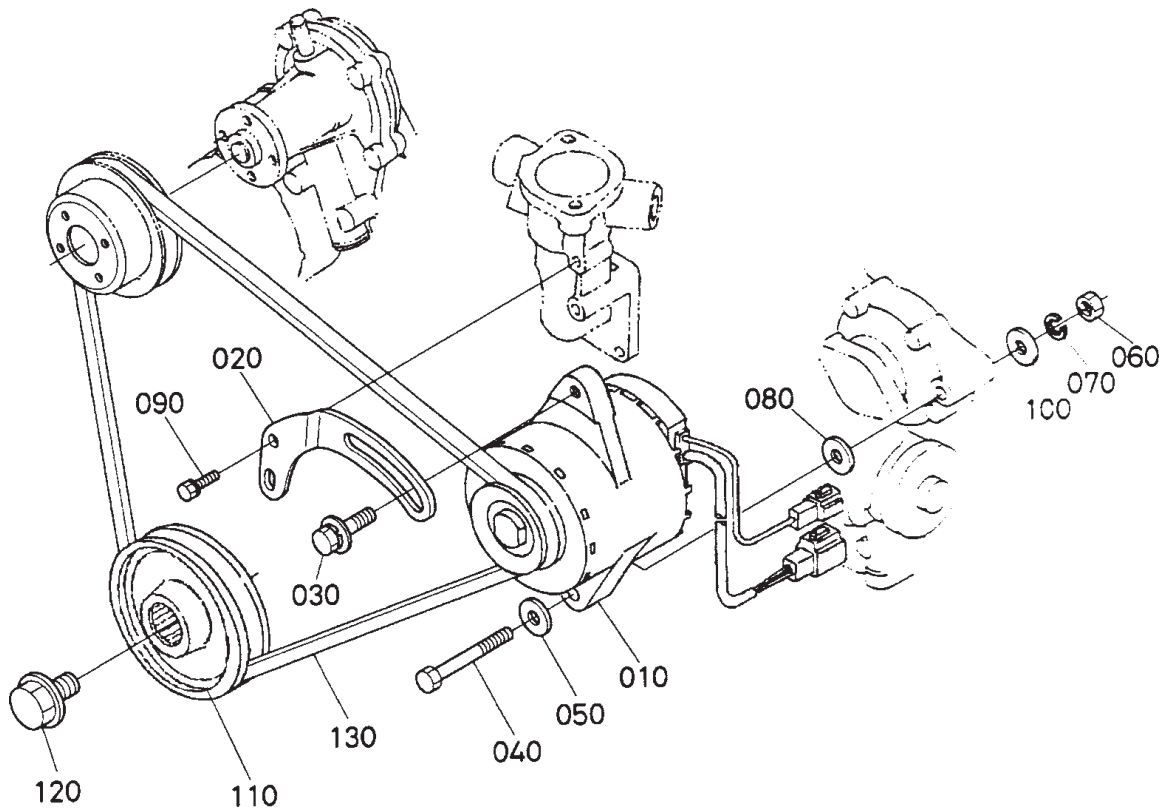
KUBOTA V1305-E2B/E3B — FUEL PUMP (MECHANICAL) ASSY.

FUEL PUMP ASSY. (MECHANICAL)

<u>NO.</u>	<u>PART NO.</u>	<u>PART NAME</u>	<u>QTY.</u>	<u>REMARKS</u>
010	1682552032	PUMP, FUEL ASSY.	1	
020	1626452140	GASKET, FUEL PUMP	1	
030	0205650060	NUT	2	V1305-E2B ONLY
030	0275150060	NUT, FLANGE	2	V1305-E3B ONLY
040	0451260060	WASHER, LOCK	2	V1305-E2B ONLY

KUBOTA V1305-E2B/E3B — DYNAMO AND PULLEY ASSY.

DYNAMO AND PULLEY ASSY.



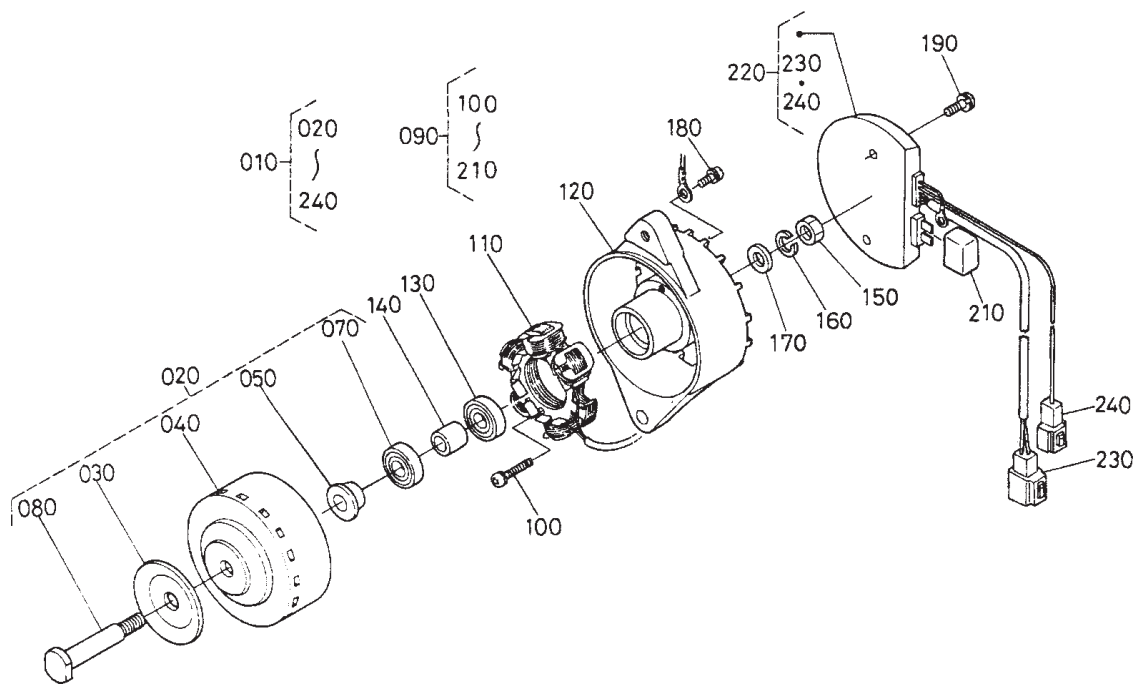
KUBOTA V1305-E2B/E3B — DYNAMO AND PULLEY ASSY.

DYNAMO AND PULLEY ASSY.

<u>NO.</u>	<u>PART NO.</u>	<u>PART NAME</u>	<u>QTY.</u>	<u>REMARKS</u>
010	1747264012	ASSY DYNAMO	1	
020	1741364423	STAY, DYNAMO	1	
030	0112750830	BOLT	1	
040	0117351080	BOLT	1	
050	0401360100	WASHER, FLAT	2	V1305-E2B ONLY
050	0401360100	WASHER, FLAT	1	V1305-E3B ONLY
060	0217650100	NUT	1	
070	0451260100	WASHER, LOCK	1	
080	0401150100	WASHER, FLAT	1	
090	0102350618	BOLT	2	
100	0401360100	WASHER, FLAT	1	V1305-E3B ONLY
110	1624174280	PULLEY, FAN DRIVE	1	
120	1624191020	BOLT, FAN DRIVE	1	
130	1628297010	V-BELT	1	

KUBOTA V1305-E2B/E3B — DYNAMO ASSY.

DYNAMO ASSY. (COMPONENT PARTS)



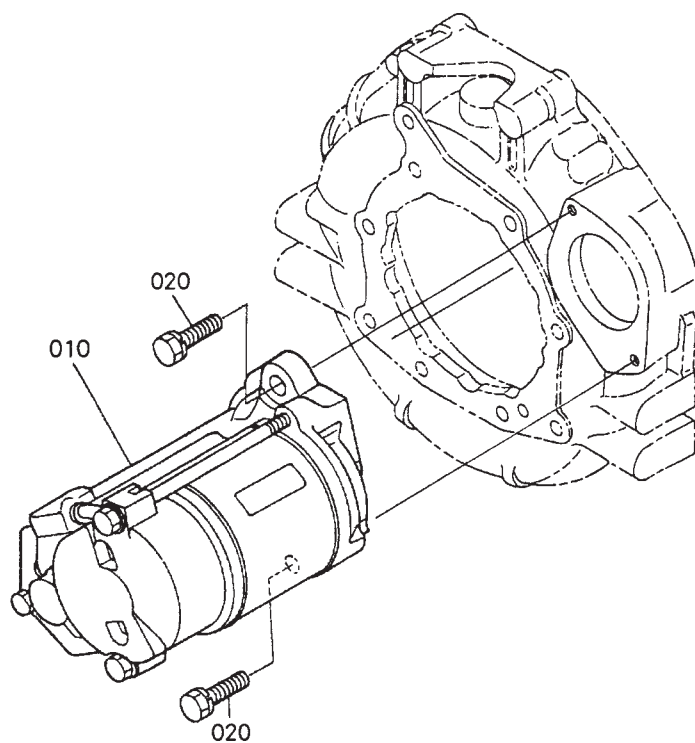
KUBOTA V1305-E2B/E3B — DYNAMO ASSY.

DYNAMO ASSY.(COMPONENT PARTS)

<u>NO.</u>	<u>PART NO.</u>	<u>PART NAME</u>	<u>QTY.</u>	<u>REMARKS</u>
010	1747264012	DYNAMO ASSY.	1	
020	1747264122	COMP. ROTOR	1	
030	1553164110	PULLEY	1	
040	1747264042	ROTOR	1	
050	1747264150	COLLAR	1	
070	1567974180	BEAR ING, BALL	1	
080	1538174140	SHAFT, FAN	1	
090	1747264362	COMP. STATOR	1	
100	1526193010	SCREW, ROUND HEAD	2	
110	1747264292	STATOR	1	
120	1747264722	PLATE	1	
130	1567974180	BEAR ING, BALL	1	
140	1526164150	COLLAR	1	
150	1526192030	NUT	1	
160	1526194070	WASHER, LOCK	1	
170	1526194020	WASHER, FLAT	1	
180	1747293020	SCREW, TAPPING	1	
190	1747293012	SCREW, TAPPING	2	
210	1747264950	COVER, TERMINAL	1	
220	1747264602	REGULATOR ASSY.	1	
230	1747265900	COUPLER	1	
240	1747265920	COUPLER	1	

KUBOTA V1305-E2B/E3B — STARTER ASSY.

STARTER ASSY.



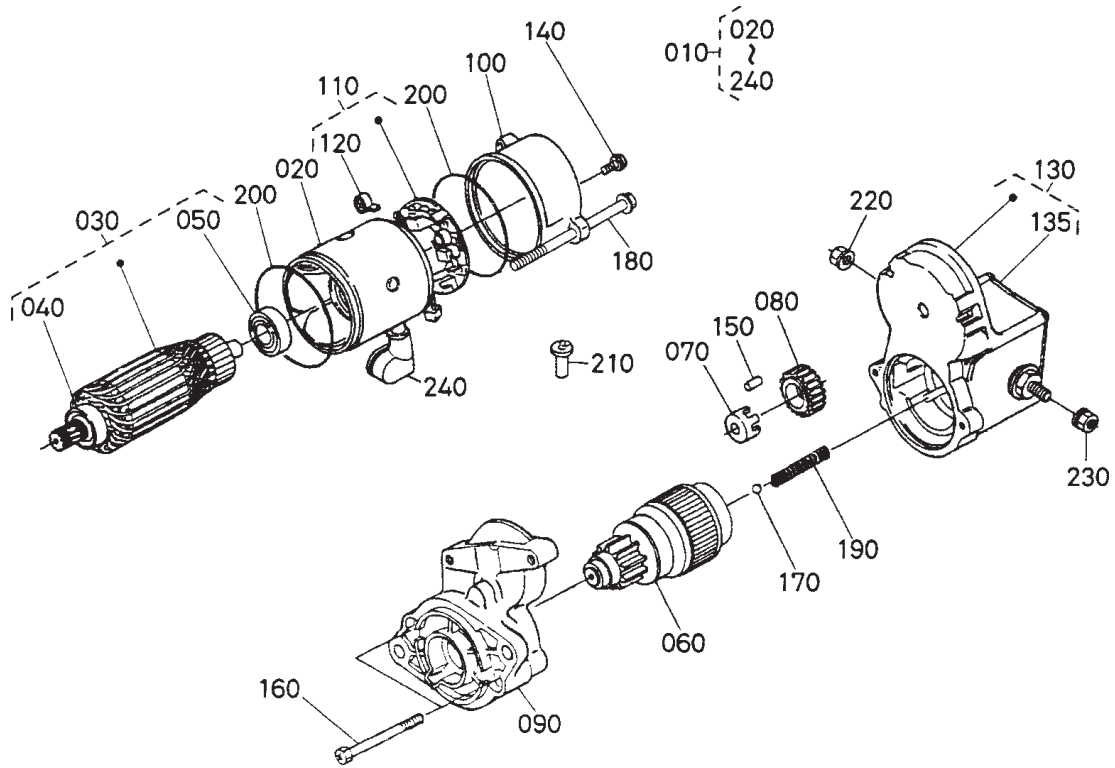
KUBOTA V1305-E2B/E3B — STARTER ASSY.

STARTER ASSY.

<u>NO.</u>	<u>PART NO.</u>	<u>PART NAME</u>	<u>QTY.</u>	<u>REMARKS</u>
010	1628563010	STARTER, ASSY.	1	
020	0112350825	BOLT	2	

KUBOTA V1305-E2B/E3B — STARTER ASSY.(COMPONENT PARTS)

STARTER ASSY. (COMPONENT PARTS)



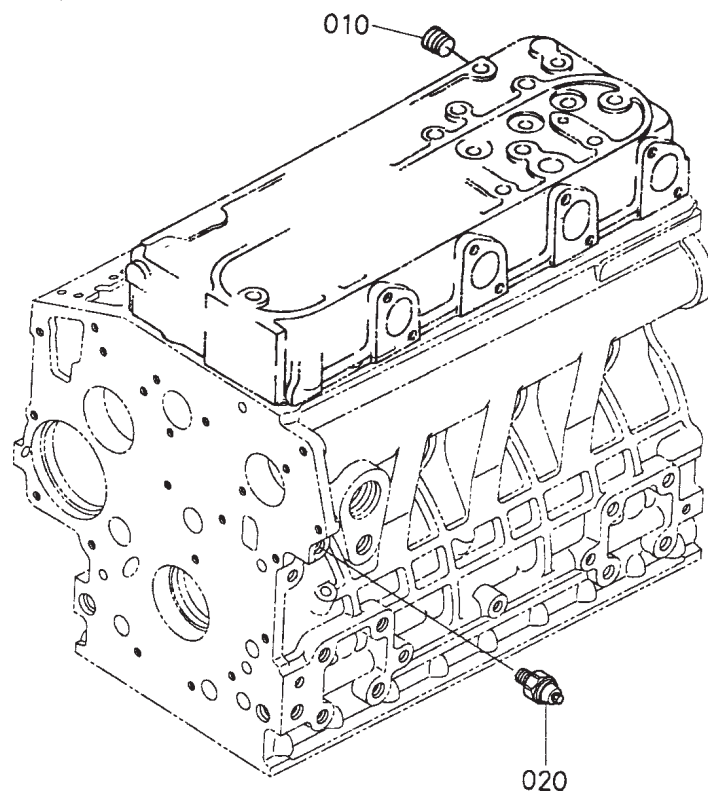
KUBOTA V1305-E2B/E3B — STARTER ASSY.(COMPONENT PARTS)

STARTER ASSY. (COMPONENT PARTS)

<u>NO.</u>	<u>PART NO.</u>	<u>PART NAME</u>	<u>QTY.</u>	<u>REMARKS</u>
010	1628563010	STARTER ASSY	1	
020	1146063080	YOKE	1	
030	1146063070	ARMATURE	1	
040	1146063530	BEAR 1 NG	1	
050	1146063500	BEARING	1	
060	1628563040	ASSY CLUTCH	1	
070	1146063110	RETAINER	1	
080	1146063270	GEAR	1	
090	1628563030	ASSY HOUSING	1	
100	1628563200	ASSY FRAME, END	1	
110	1147063380	ASSY HOLDER, BRUSH	1	
120	1146063390	SPRING, BRUSH	4	
130	1628563020	ASSY SWITCH, MAGNET	1	
135	1628598050	ASSY COVER	1	
140	1551163760	ASSY BOLT	2	
150	1921263100	ROLLER	5	
160	1146093310	BOLT	2	
170	1921297130	BALL	1	
180	1146063320	BOLT, THROUGH	2	
190	1146063120	SPRING	1	
200	1551196660	O-RING	2	
210	1628563570	PIPE, DRAIN	1	
220	1628592010	NUT, HEXAGON	1	
230	1396392010	NUT, HEXAGON	1	
240	1117363130	COVER, TERMINAL	1	

KUBOTA V1305-E2B/E3B — OIL SWITCH AND PLUG ASSY.

OIL SWITCH AND PLUG ASSY.



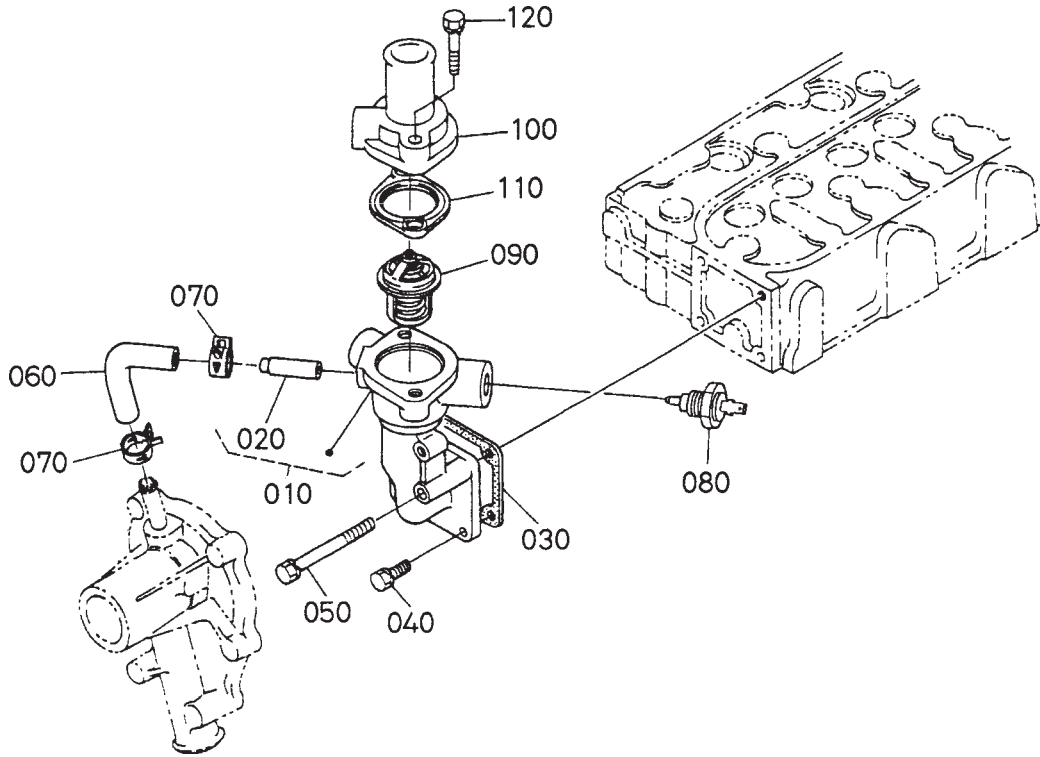
KUBOTA V1305-E2B/E3B — OIL SWITCH AND PLUG ASSY.

OIL SWITCH AND PLUG ASSY.

<u>NO.</u>	<u>PART NO.</u>	<u>PART NAME</u>	<u>QTY.</u>	<u>REMARKS</u>
010	1384196020	PLUG	1	
020	1584139010	SWITCH, OIL	1	

KUBOTA V1305-E2B/E3B — WATER FLANGE AND THERMOSTAT ASSY.

WATER FLANGE AND THERMOSTAT ASSY.



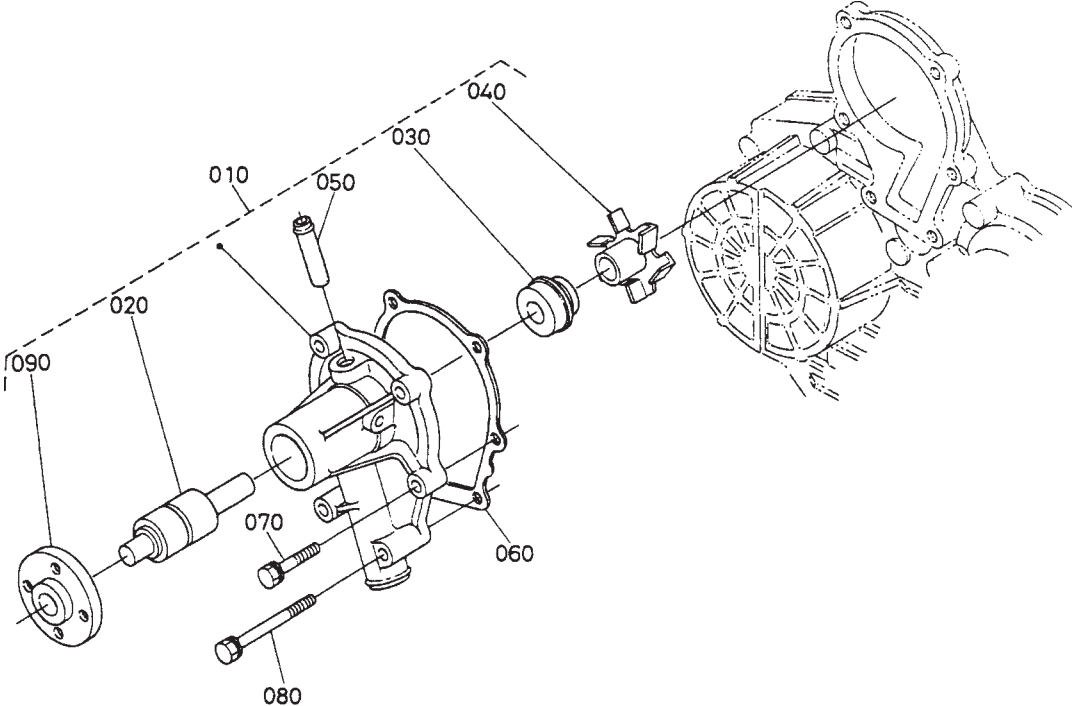
KUBOTA V1305-E2B/E3B — WATER FLANGE AND THERMOSTAT ASSY.

WATER FLANGE AND THERMOSTAT ASSY.

<u>NO.</u>	<u>PART NO.</u>	<u>PART NAME</u>	<u>QTY.</u>	<u>REMARKS</u>
010	1623372700	FLANGE WATER, COMP.	1	
020	1624173370	PIPE, WATER RETURN	1	
030	1626472920	GASKET, WATER FLANGE	1	
040	0102350616	BOLT	2	
050	0102360655	BOLT	1	
060	1624173350	PIPE, WATER RETURN	1	
070	1624173360	BAND, PIPE	2	
080	1753883040	SWITCH, THERMOMETER	1	
090	1943473014	THERMOSTAT ASSY.	1	
100	1621073260	COVER, THERMOSTAT	1	
110	1622173270	GASKET, THERMOSTAT	1	
120	0112350835	BOLT	2	

KUBOTA V1305-E2B/E3B — WATER PUMP ASSY.

WATER PUMP ASSY.



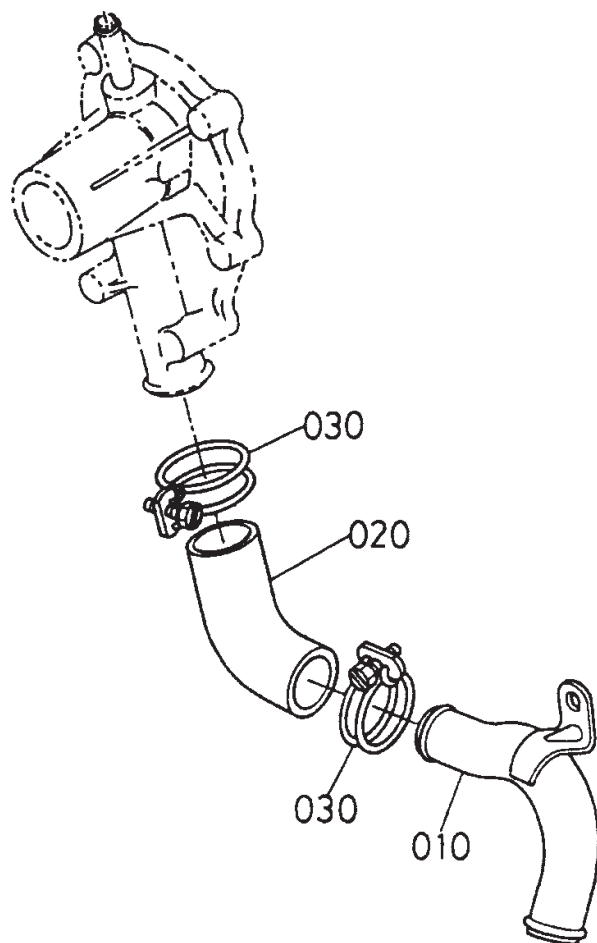
KUBOTA V1305-E2B/E3B — WATER PUMP ASSY.

WATER PUMP ASSY.

<u>NO.</u>	<u>PART NO.</u>	<u>PART NAME</u>	<u>QTY.</u>	<u>REMARKS</u>
010	1625173034	ASSY PUMP, WATER	1	
020	1625973552	BEARING	1	
030	1G64273050	ASSY SEAL, MECHANICAL	1	
040	1625973512	IMPELLER, WATER PUMP	1	
050	1624173340	PIPE, WATER RETURN	1	V-1305-E2B ONLY
050	1585273340	PIPE, WATER RETURN	1	V-1305-E3B ONLY
060	1623973430	GASKET, WATER PUMP	1	
070	0102350630	BOLT	4	
080	0102350685	BOLT	2	
090	1625973520	FLANGE, WATER PUMP	1	

KUBOTA V1305-E2B/E3B — WATER PIPE ASSY.

WATER PIPE ASSY.



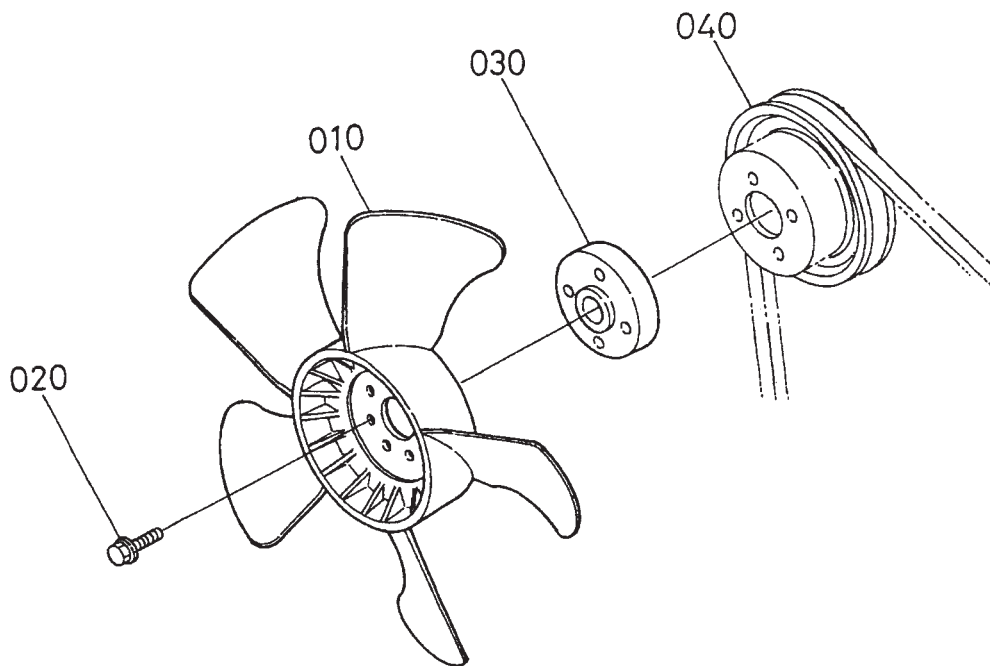
KUBOTA V1305-E2B/E3B — WATER PIPE ASSY.

WATER PIPE ASSY.

<u>NO.</u>	<u>PART NO.</u>	<u>PART NAME</u>	<u>QTY.</u>	<u>REMARKS</u>
010	1628572860	PIPE, WATER	1	
020	1G68072870	PIPE, WATER	1	
030	3620082720	CLAMP	2	

KUBOTA V1305-E2B/E3B — FAN ASSY.

FAN ASSY.



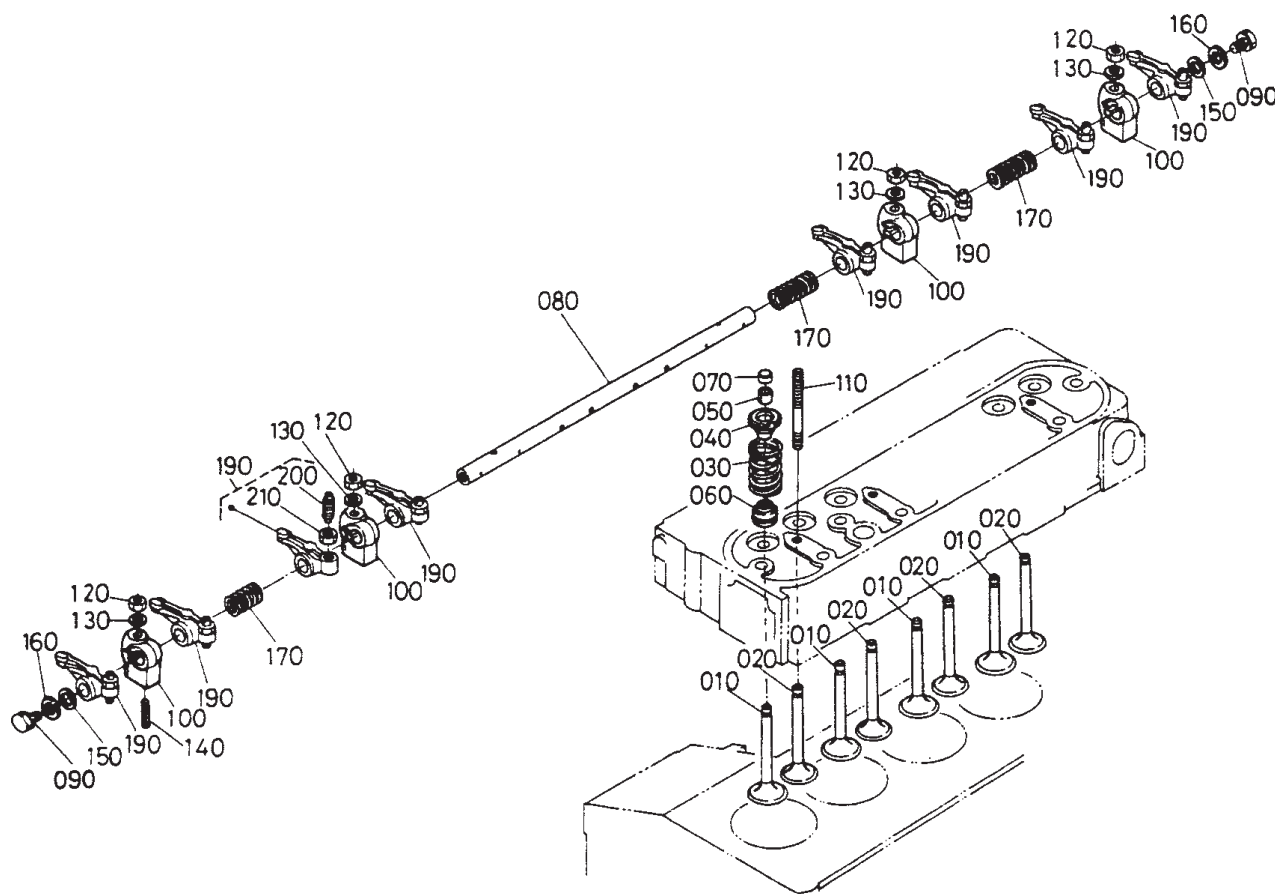
KUBOTA V1305-E2B/E3B — FAN ASSY.

FAN ASSY.

<u>NO.</u>	<u>PART NO.</u>	<u>PART NAME</u>	<u>QTY.</u>	<u>REMARKS</u>
010	1742174110	FAN	1	
020	1720891040	BOLT, FLANGE	4	
030	1705374150	COLLAR, FAN	1	
040	1624174250	PULLEY, FAN	1	

KUBOTA V1305-E2B/E3B — VALVE AND ROCKER ARM ASSY.

VALVE AND ROCKER ARM ASSY.



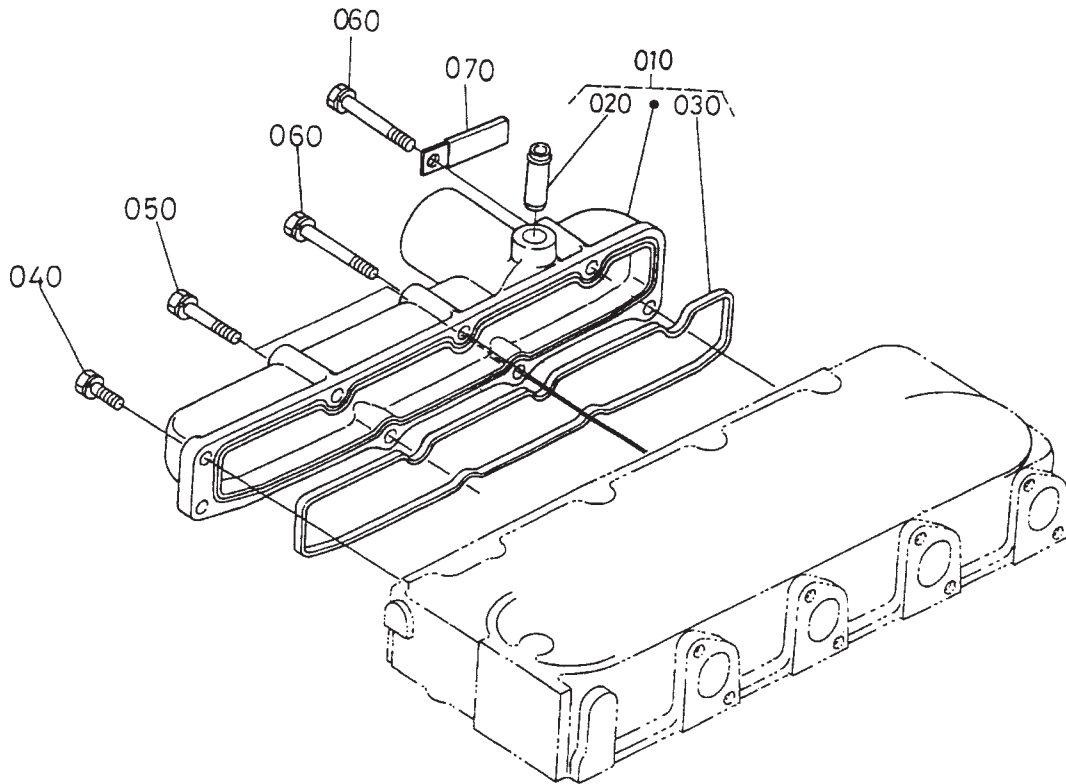
KUBOTA V1305-E2B/E3B —VALVE AND ROCKER ARM ASSY.

VALVE AND ROCKER ARM ASSY.

<u>NO.</u>	<u>PART NO.</u>	<u>PART NAME</u>	<u>QTY.</u>	<u>REMARKS</u>
010	1624113115	VALVE, INLET	4	
020	1629913126	VALVE, EXHAUST	4	V1305 E2B ONLY
020	1624113126	VALVE, EXHAUST	4	V1305 E3B ONLY
030	1627113240	SPRING, VALVE	8	
040	1626113330	RETAINER, SPRING	8	
050	1526113360	COLLET, VALVE SPRING	8	
060	1C01013150	SEAL, VALVE STEM	8	
070	1624113280	CAP, VALVE	8	
080	1624114264	SHAFT, ROCKER ARM	1	
090	0102350610	BOLT	2	
100	1624114350	BRACKET, ROCKER ARM	4	
110	1624114410	STUD	4	
120	1526192010	NUT	4	
130	1526194010	WASHER, FLAT	4	
140	0541100428	PIN, SPRING	1	
150	1624114430	WASHER, R ARM. SHAFT	2	
160	1584194022	WASHER, FLAT	2	
170	1624114310	SPRING, ROCKER ARM	3	
190	1624114032	ROCKER ARM, ASSY.	8	
200	1624114230	SCREW, ADJUSTING	8	
210	1624114240	NUT	8	

KUBOTA V1305-E2B/E3B — INLET MANIFOLD ASSY.

INLETT MANIFOLD ASSY.



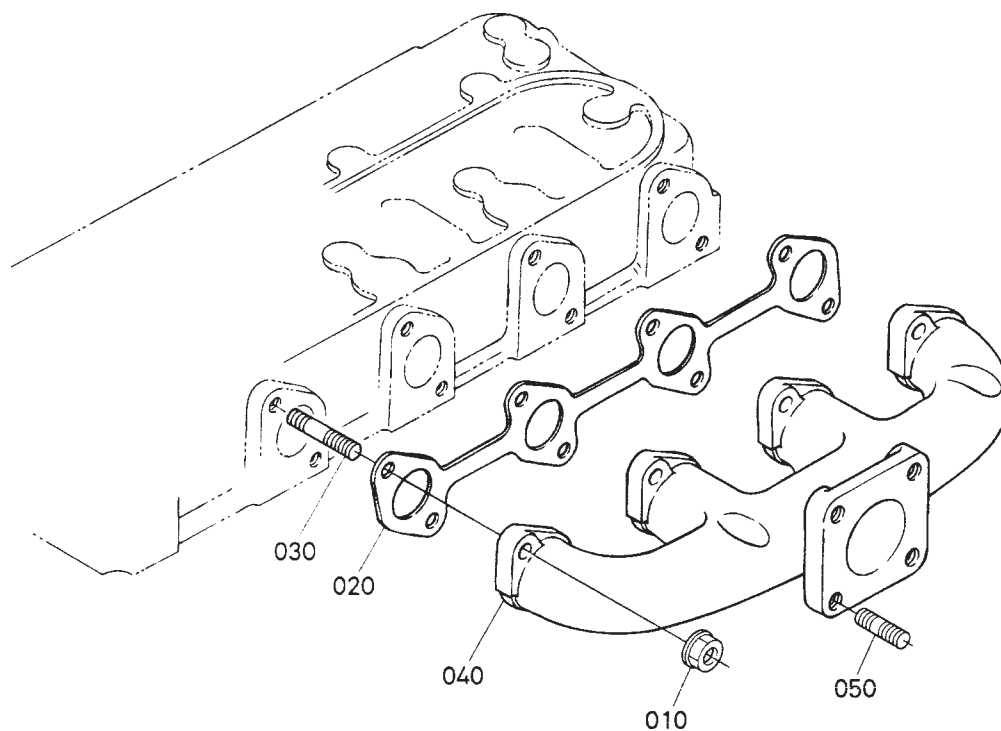
KUBOTA V1305-E2B/E3B — INLET MANIFOLD ASSY.

INLETT MANIFOLD ASSY.

<u>NO.</u>	<u>PART NO.</u>	<u>PART NAME</u>	<u>QTY.</u>	<u>REMARKS</u>
010	1625911772	MANIFOLD, INLET ASSY.	1	
020	1624105550	JOINT, BREATHER PIPE	1	
030	1624111820	GASKET, IN MANIFOLD	1	
040	0102350618	BOLT	3	
050	0102350630	BOLT	2	
060	0102360650	BOLT	3	
070	1527267590	CLAMP, CORD	1	

KUBOTA V1305-E2B/E3B — EXHAUST MANIFOLD ASSY.

EXHAUST MANIFOLD ASSY.



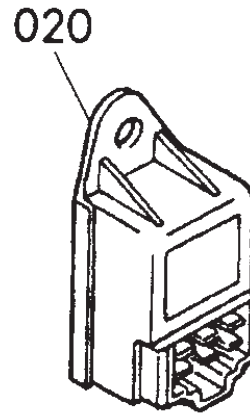
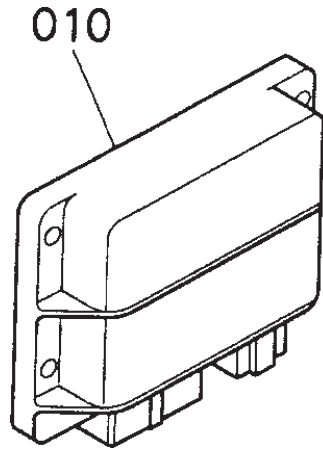
KUBOTA V1305-E2B/E3B — EXHAUST MANIFOLD ASSY.

EXHAUST MANIFOLD ASSY.

<u>NO.</u>	<u>PART NO.</u>	<u>PART NAME</u>	<u>QTY.</u>	<u>REMARKS</u>
010	1721512310	MANIFOLD, EXHAUST	1	
020	1629912360	GASKET, EX MANIFOLD	1	
030	1624191490	STUD	8	
040	1627192010	NUT	8	
050	0151350822	STUD	4	

KUBOTA V1305-E2B/E3B — GLOW LAMP AND TIMER ASSY.

GLOW LAMP AND TIMER ASSY.



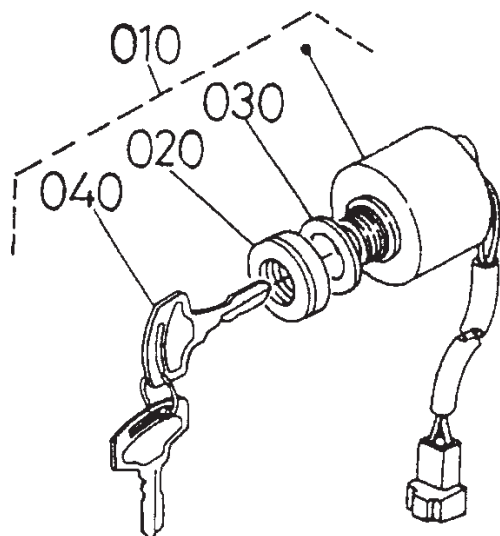
KUBOTA V1305-E2B/E3B — GLOW LAMP AND TIMER ASSY.

GLOW LAMP AND TIMER ASSY.

<u>NO.</u>	<u>PART NO.</u>	<u>PART NAME</u>	<u>QTY.</u>	<u>REMARKS</u>
010	1747260604	EMERGENCY UNIT	1	
020	1569465990	TIMER, GLOW LAMP	1	

KUBOTA V1305-E2B/E3B — STARTER SWITCH ASSY.

STARTER SWITCH ASSY.

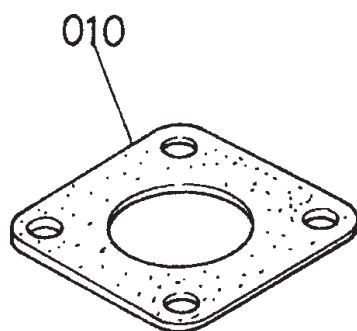


KUBOTA V1305-E2B/E3B — STARTER SWITCH ASSY.

STARTER SWITCH ASSY.

<u>NO.</u>	<u>PART NO.</u>	<u>PART NAME</u>	<u>QTY.</u>	<u>REMARKS</u>
010	3741059110	SWITCH, STARTER ASSY.	1	
020	3741055 180	CAP, STARTER SWITCH	1	
030	6641655170	WASHER	1	
040	3741055150	KEY, STARTER	1	

ACCESSORIES ASSY.



KUBOTA V1305-E2B/E3B — ACCESSORIES

ACCESSORIES ASSY.

<u>NO.</u>	<u>PART NO.</u>	<u>PART NAME</u>	<u>QTY.</u>	<u>REMARKS</u>
010	1526312370	GASKET, MUFFLER NA	1	

TERMS AND CONDITIONS OF SALE — PARTS

PAYMENT TERMS

Terms of payment for parts are net 30 days.

FREIGHT POLICY

All parts orders will be shipped collect or prepaid with the charges added to the invoice. All shipments are F.O.B. point of origin. Multiquip's responsibility ceases when a signed manifest has been obtained from the carrier, and any claim for shortage or damage must be settled between the consignee and the carrier.

MINIMUM ORDER

The minimum charge for orders from Multiquip is \$15.00 net. Customers will be asked for instructions regarding handling of orders not meeting this requirement.

RETURNED GOODS POLICY

Return shipments will be accepted and credit will be allowed, subject to the following provisions:

1. A Returned Material Authorization must be approved by Multiquip prior to shipment.
2. To obtain a Return Material Authorization, a list must be provided to Multiquip Parts Sales that defines item numbers, quantities, and descriptions of the items to be returned.
 - a. The parts numbers and descriptions must match the current parts price list.
 - b. The list must be typed or computer generated.
 - c. The list must state the reason(s) for the return.
 - d. The list must reference the sales order(s) or invoice(s) under which the items were originally purchased.
 - e. The list must include the name and phone number of the person requesting the RMA.
3. A copy of the Return Material Authorization must accompany the return shipment.
4. Freight is at the sender's expense. All parts must be returned freight prepaid to Multiquip's designated receiving point.

5. Parts must be in new and resalable condition, in the original Multiquip package (if any), and with Multiquip part numbers clearly marked.
6. The following items are not returnable:
 - a. Obsolete parts. (If an item is in the price book and shows as being replaced by another item, it is obsolete.)
 - b. Any parts with a limited shelf life (such as gaskets, seals, "O" rings, and other rubber parts) that were purchased more than six months prior to the return date.
 - c. Any line item with an extended dealer net price of less than \$5.00.
 - d. Special order items.
 - e. Electrical components.
 - f. Paint, chemicals, and lubricants.
 - g. Decals and paper products.
 - h. Items purchased in kits.
7. The sender will be notified of any material received that is not acceptable.
8. Such material will be held for five working days from notification, pending instructions. If a reply is not received within five days, the material will be returned to the sender at his expense.
9. Credit on returned parts will be issued at dealer net price at time of the original purchase, less a 15% restocking charge.
10. In cases where an item is accepted, for which the original purchase document can not be determined, the price will be based on the list price that was effective twelve months prior to the RMA date.
11. Credit issued will be applied to future purchases only.

PRICING AND REBATES

Prices are subject to change without prior notice. Price changes are effective on a specific date and all orders received on or after that date will be billed at the revised price. Rebates for price declines and added charges for price increases will not be made for stock on hand at the time of any price change.

Multiquip reserves the right to quote and sell direct to Government agencies, and to Original Equipment Manufacturer accounts who use our products as integral parts of their own products.

SPECIAL EXPEDITING SERVICE

A \$35.00 surcharge will be added to the invoice for special handling including bus shipments, insured parcel post or in cases where Multiquip must personally deliver the parts to the carrier.

LIMITATIONS OF SELLER'S LIABILITY

Multiquip shall not be liable hereunder for damages in excess of the purchase price of the item with respect to which damages are claimed, and in no event shall Multiquip be liable for loss of profit or good will or for any other special, consequential or incidental damages.

LIMITATION OF WARRANTIES

No warranties, express or implied, are made in connection with the sale of parts or trade accessories nor as to any engine not manufactured by Multiquip. Such warranties made in connection with the sale of new, complete units are made exclusively by a statement of warranty packaged with such units, and Multiquip neither assumes nor authorizes any person to assume for it any other obligation or liability whatever in connection with the sale of its products. Apart from such written statement of warranty, there are no warranties, express, implied or statutory, which extend beyond the description of the products on the face hereof.

Effective: February 22, 2006

PARTS MANUAL

HERE'S HOW TO GET HELP

PLEASE HAVE THE MODEL AND SERIAL
NUMBER ON-HAND WHEN CALLING

UNITED STATES

Multiquip Corporate Office

18910 Wilmington Ave. Tel. (800) 421-1244
Carson, CA 90746 Fax (800) 537-3927
Contact: mq@multiquip.com

Mayco Parts

800-306-2926 Fax: 800-672-7877
310-537-3700 Fax: 310-637-3284

Service Department

800-421-1244 Fax: 310-537-4259
310-537-3700

MQ Parts Department

800-427-1244 Fax: 800-672-7877
310-537-3700 Fax: 310-637-3284

Warranty Department

800-421-1244, Ext. 279 Fax: 310-537-1173
310-537-3700, Ext. 279

Technical Assistance

800-478-1244 Fax: 310-631-5032

MEXICO

MQ Cipsa

Carr. Fed. Mexico-Puebla KM 126.5 Tel: (52) 222-225-9900
Momoxpan, Cholula, Puebla 72760 Mexico Fax: (52) 222-285-0420
Contact: pmastretta@cipsa.com.mx

UNITED KINGDOM

Multiquip (UK) Limited Head Office

Hanover Mill, Fitzroy Street, Tel: 0161 339 2223
Ashton-under-Lyne, Fax: 0161 339 3226
Lancashire OL7 0TL
Contact: sales@multiquip.co.uk

CANADA

Multiquip

4110 Industriel Boul. Tel: (450) 625-2244
Laval, Quebec, Canada H7L 6V3 Fax: (450) 625-8664
Contact: jmartin@multiquip.com

© COPYRIGHT 2009, MULTIQUIP INC.

Multiquip Inc and the MQ logo are registered trademarks of Multiquip Inc. and may not be used, reproduced, or altered without written permission. All other trademarks are the property of their respective owners and used with permission.

This manual MUST accompany the equipment at all times. This manual is considered a permanent part of the equipment and should remain with the unit if resold.

The information and specifications included in this publication were in effect at the time of approval for printing. Illustrations, descriptions, references and technical data contained in this manual are for guidance only and may not be considered as binding. Multiquip Inc. reserves the right to discontinue or change specifications, design or the information published in this publication at any time without notice and without incurring any obligations.

Your Local Dealer is:

