

# OWNER'S GUIDE



(Models 713A thru 725A shown)

**ASSEMBLY • OPERATION • MAINTENANCE • PARTS**

## ELECTRIC GENERATOR

### **Important:**

**Read Safety Rules and  
Instructions Carefully**

Thank you for purchasing an  
American built product.

### **Model Numbers**

2250 Watts - 243-712A  
3500 Watts - 243-713A  
4500 Watts - 243-714A  
3750 Watts - 243-723A  
5000 Watts - 243-725A

## LIMITED WARRANTY

MTD will replace, upon examination by the factory or an authorized agent, any part or parts found to be defective in material or workmanship free of charge. All transportation and freight charges incurred in shipping a defective generator or generator part to the factory or authorized agent shall be paid by the claimant (buyer).

The replacement of parts and/or service arising out of the abuse, accident, attempted repair by unauthorized persons, tamperings, or improper use are not covered by the operation of this warranty.

There is no warranty on brushes, fuses, or receptables, nor does this warranty cover power units or engines. Such power units or engines are covered exclusively by the warranties or their manufacturer.

This warranty is extended to the original purchaser for a period of one year (365 days) from date of purchase; provided, however, that none of the language of this warranty shall be construed to exclude third party beneficiaries from its operation. This warranty is limited to a period of ninety (90) days if said unit is used in commercial use.

The user shall determine the suitability of the product for its intended use prior to placing the unit in service. Said user assumes all risk and liability in connection with determining the suitability of the unit for its particular use. Neither seller nor manufacturer shall be liable for any injury, loss or damage arising out of the improper use or operation of said unit.

THERE ARE NO WARRANTIES WHICH EXTEND BEYOND THE DESCRIPTION OF THE FACE HEREOF.

## SAFETY RULES

Safety precautions are essential when any electrical or mechanical equipment is involved. These precautions are necessary when using, storing, and servicing electro-mechanical equipment. Using this equipment with the respect and caution demanded will considerably lessen possibilities of personal injury. If safety precautions are overlooked or ignored, personal injury may occur.

This unit was designed for specific applications. It should **not** be modified and/or used for any application other than which it was designed. If there are questions regarding its applications, **write or call**. Do not use this unit until you have been advised.

### KEARNEY DIVISION

Box 364, Airport Road Kearney, Nebraska 68847  
Phone 308-237-2181

1. Read your manual carefully-know your equipment. Consider the applications, and the potential hazards peculiar to your unit.
2. Equipment must be placed on a firm supporting surface. Ground unit by utilizing the special grounding lug provided.
3. Load must be kept within stated rating (see nameplate) - overloading will damage unit or shorten its life.
4. Engine must not be run at excessive speeds. Operating an engine at excessive speeds increases the hazard of personal injury. **Do not tamper with parts which may increase the governed speed.**
5. To prevent accidental starting, always remove the spark plug before working on the engine or generator, or remove cable from the spark plug.
6. Units with broken or missing parts, without protective housing or covers, should never be operated. Contact your service center for replacement parts.
7. Units should not be operated or stored in wet or damp conditions (rubber gloves and footwear are recommended when operating any electrical equipment outdoors or in damp indoor conditions).

8. A ground fault circuit interrupter should be used in damp or highly conductive locations, (e.g. metal decking and steel work).
9. Unit must reach operating speed **before** electrical loads are connected. Disconnect electrical loads **before** shutting engine down.
10. Extension cords, power cords, and all electrical equipment must be in good condition. Never operate any electrical equipment with damaged or defective cords.
11. Units should never be operated under these conditions.
  - a. Change in engine speed
  - b. Electrical output loss
  - c. Overheating in connected devices
  - d. Sparking
  - e. Damaged receptacles
  - f. Engine misfiring
  - g. Excessive vibration
  - h. Flame or smoke
  - i. In an enclosed compartment
12. Store unit in a well ventilated area with fuel tank empty. Fuel should not be stored near unit.
13. Check fuel system periodically for leaks or signs of deterioration, (e.g. chafed or spongy hose, loose or missing clamps, rusted or damaged tank or cap). Correct defects before operating.
14. The unit should be operated, serviced, and refueled under the following conditions:
  - a. Good ventilation-avoid areas where vapors may be trapped, (e.g. pits, basements, cellars, excavations, boat bilges, etc.) Air flow and temperatures are important for air cooled units-temperature should not exceed 100F.
  - b. Engine exhaust gases are dangerous-they must be piped from enclosed areas-the exhaust contains carbon monoxide, a poisonous, odorless and invisible gas, which if breathed causes serious illness and possible death.
  - c. Unit should be refueled in a well lighted area. Avoid spills. Never refuel while unit is operating.
  - b. Avoid refueling near open flames, pilot lights, sparking electrical devices, (e.g. power tools, welders, or grinders).
  - e. Muffler and air cleaner must be installed and in good condition. They act as flame arresters if back firing occurs.
  - f. Smoking should not be permitted.
15. Do not wear loose clothing, jewelry, or anything which may be caught in the starter or other rotating parts.
16. Keep unit clean and free of oil, mud, or other foreign matter.
17. Do not stick anything through ventilating slots, even when generator is not operating. You may damage the unit or suffer personal injury.

## ASSEMBLY

If your unit is equipped with wheels, assemble the wheels as shown in illustration on page 7.

### STAND-BY INSTALLATION

If your unit is to be used as a stand-by power source in case of utility power failure, it should be installed by a registered electrician and in compliance with all applicable local electrical codes.

## OPERATION

### GROUND GENERATOR

Make sure that generator is grounded to prevent accidental shock. A special grounding lug (A) Figure 1, is provided for this purpose.

### BEFORE STARTING

Before starting generator, check for loose or missing parts and for any damage which may have occurred during shipment.

Service engine with gasoline and oil as instructed in the separate engine manual.

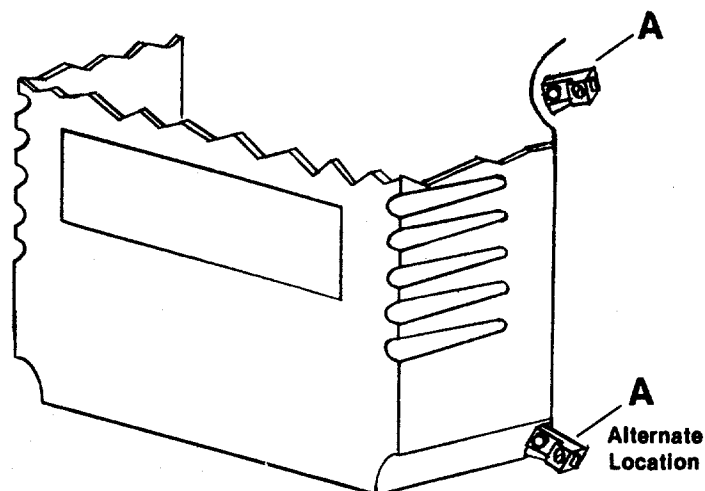


FIGURE 1

### STARTING ENGINE

Disconnect all electrical loads. Adjust choke as necessary. Turn key to "ON" position. Pull on the starting rope with a fast, steady pull. As engine warms up, readjust choke.



## WARNING

Provide adequate ventilation for toxic exhaust gases and cooling air flow.

Turn key to "OFF" position to stop engine. See "shut-down procedure".

## BREAK-IN PROCEDURE

Controlled break-in helps insure proper engine and generator operation. Follow engine break-in procedure outlined in engine manual.



## CAUTION

Allow generator to run at no load for 5 minutes upon initial start-up to permit engine and generator to stabilize.

## DETERMINING TOTAL WATTAGE

To prevent overloading the unit, it is necessary to add up the total wattage of the connected load.

1. Electric motors require more power when starting than running. First, determine your largest motor starting requirement. To this figure, add the total wattages of all other items you want to connect to the generator at the same time. If only volts and amps are given, volts x amps = watts. 1,000 watts - 1 KW.
2. This total should not be more than the rated wattage for your unit as shown in the specifications.
3. Always start your largest electric motor before any other load is applied.



## CAUTION

Do not apply heavy electric load during the first 2 or 3 hours of operation.

## APPLYING LOAD

This unit has been pretested and adjusted to handle its full rated capacity. When starting the generator, disconnect all load. Apply load only after generator is running.



## CAUTION

Overloading the unit may burn out the unit and/or anything connected to it!

Keep load within nameplate rating. Continuous overloading may cause damage to the generator and shorten its life.

The following should be observed:

**Single Voltage Units.** These models are equipped with one circuit and one duplex receptacle. The total rated wattage can be drawn from this circuit.

**Dual Voltage Units.** See Figure 2 and Figure 3. These models are equipped with two 120 volt circuits, (A and B). These two 120 volt circuits are combined to form the 240 volt circuit, (C).

You can use 75% of the nameplate rating from either 120 volt circuit (A or B) but not from both at the same time.

When using both 120 volt and 240 volt equipment, the 120 volt load from circuit A or B plus one-half of the 240 volt load from circuit C must not exceed 75% of the nameplate rating.

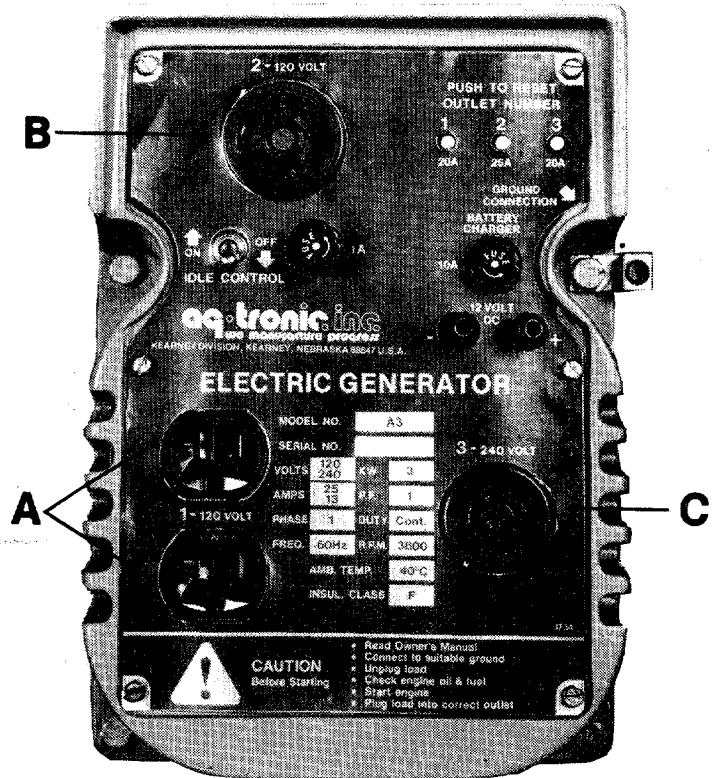


FIGURE 2

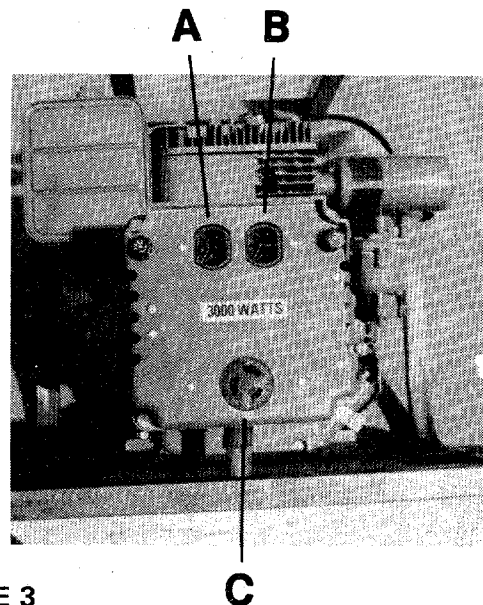


FIGURE 3

## CIRCUIT PROTECTION

Keep the load within the nameplate rating.

Too much load on a receptacle or accessory or an external short circuit may cause circuit protector to open. If any circuit protector opens, disconnect all electrical loads and replace fuse or reset circuit breaker.

## SHUT-DOWN PROCEDURE

When shutting down your generator, use the following procedure:

- Remove all electrical load.
- Let engine run for a few minutes without load.
- Stop the engine.
- Do not leave generator until it has completely stopped.

## MAINTENANCE

Regular maintenance of your generator will lower operating costs and lengthen the life of the unit.

### INFREQUENT SERVICE

If the unit is used infrequently, difficult starting may result. To eliminate hard starting, run generator at least 30 minutes every week.

### OUT OF SERVICE PROTECTION

If unit will be out of service for more than 60 days, follow instructions in the engine manufacturer's manual.

### ENGINE MAINTENANCE

For service and maintenance of the engine, follow the instructions in the engine manufacturer's manual.

### BRUSHES

Once every year, inspect the generator brushes for chips and cracks. Replace brushes when they are worn to 1/4 inch.

**Replace brushes in sets only, never singly.**

To inspect brushes:

1. Remove cover plate (A). See Figure 4.
2. Loosen brush mounting screws (B).
3. Slide brushes (C) from holders.
4. Replace if worn to 1/4 inch.
5. Do not over tighten screws.

**Replace only with brushes specified in parts list.**

Other brushes may appear to be identical but may have completely different mechanical and electrical characteristics.

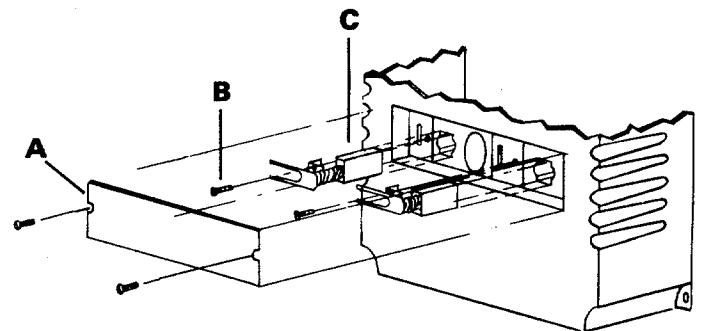
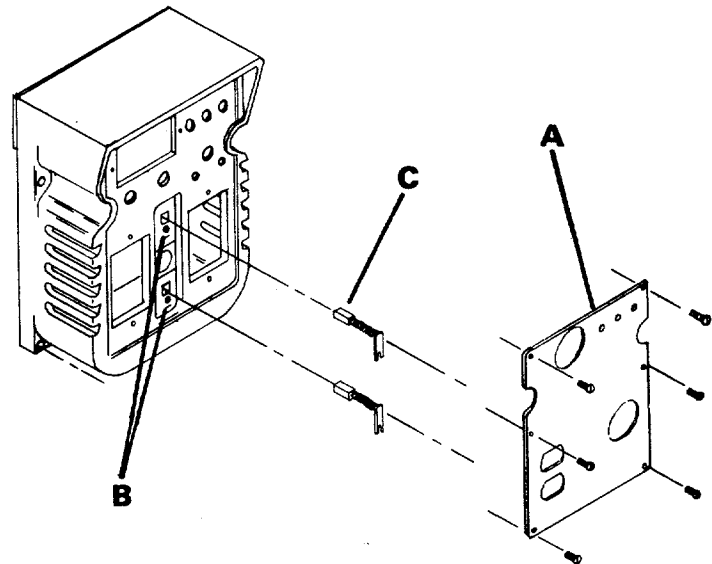
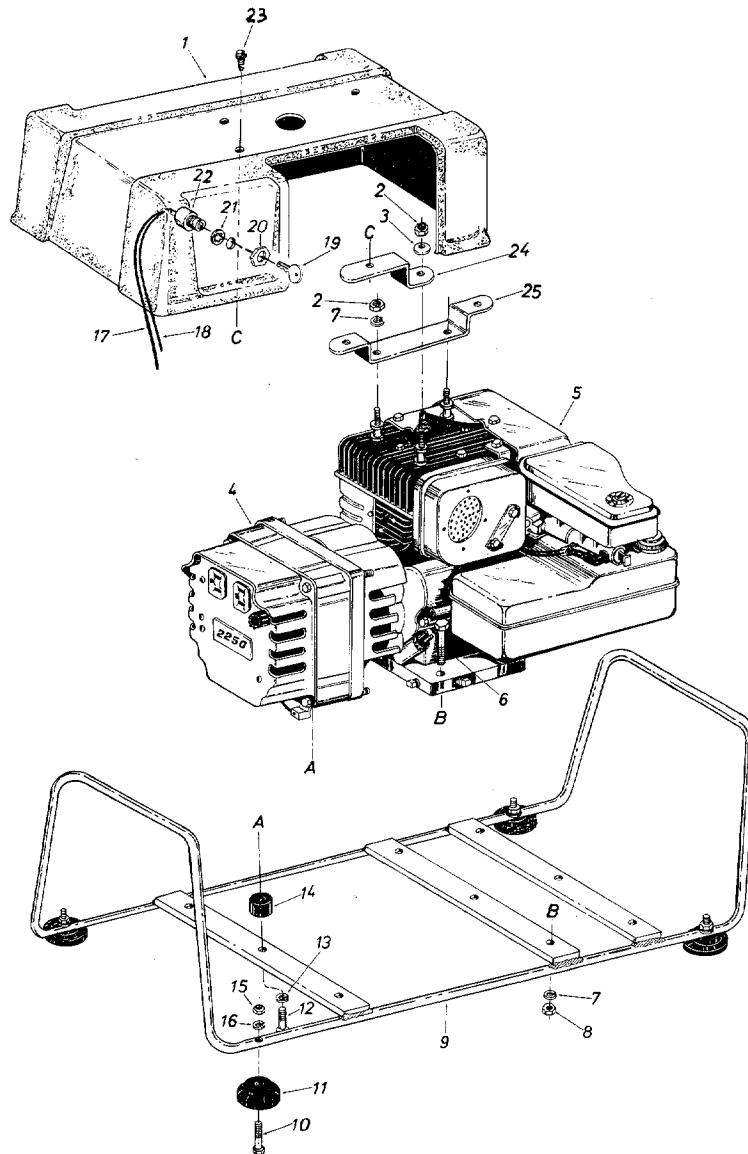


FIGURE 4



This instruction manual covers various models and all specifications shown do not necessarily apply to your model. Specifications subject to change without notice or obligation.

# MODEL 712

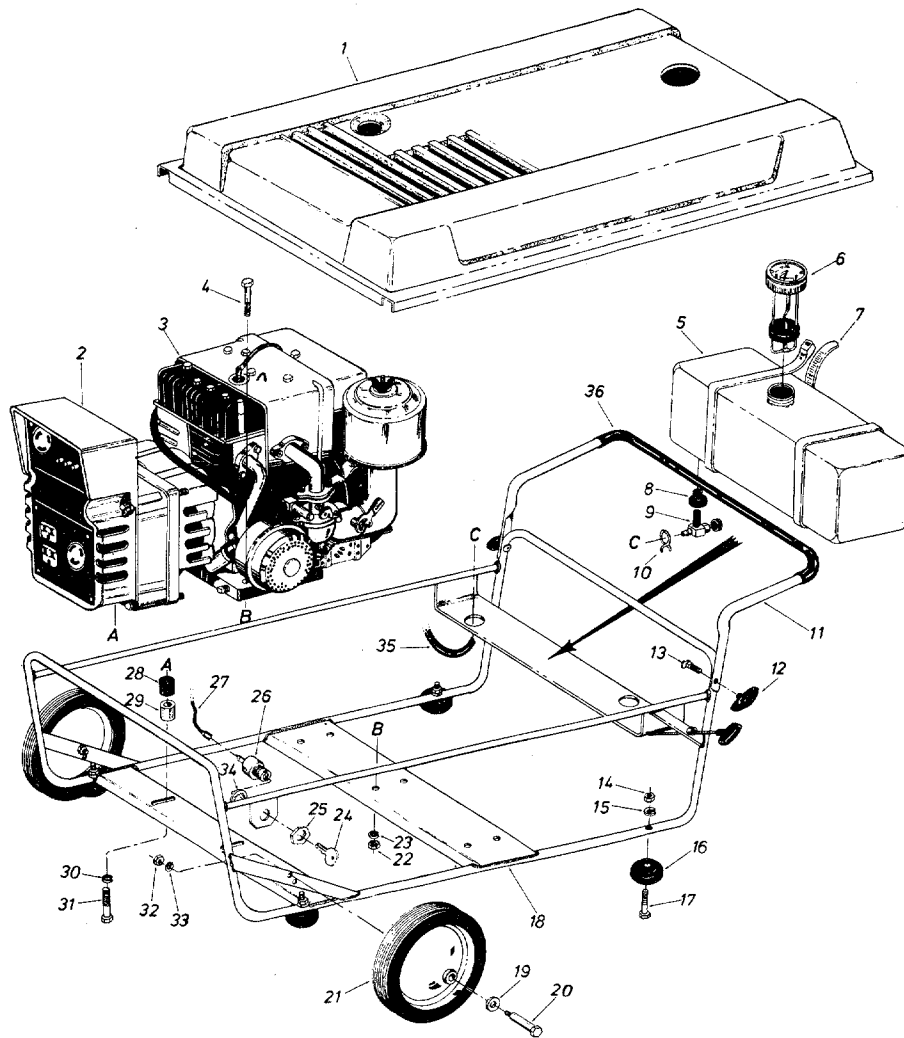


PARTS LIST FOR GENERATOR MODEL 712

Ref. No.	PART No.	DESCRIPTION	New Part	Ref. No.	PART No.	DESCRIPTION	New Part
1	731-0560	Cover		13	736-0119	L.-Wash. 5/16" I.D.*	
2	712-0267	Hex Nut 5/16-18 Thd.*		14	735-0213	Rubber Bumper	
3	736-0242	Belleville Wash. .345 I.D. x .88 O.D.		15	712-0287	Hex Nut 1/4-20 Thd.*	
4	-----	Generator		16	736-0329	L.-Wash. 1/4" I.D.*	
5	-----	Engine		17	725-0814	Electric Wire (Ground on Gen.)	
6	710-0380	Hex Bolt 5/16-18 x 1.75" Lg.*		18	725-0800	Electric Wire (To Engine)	
7	736-0119	L.-Wash. 5/16" I.D.*		19	725-0201	Ignition Key	
8	712-0267	Hex Nut 5/16-18 Thd.*		20	-----	Part of Ref. No. 22	
9	14682	Carriage Ass'y.		21	-----	Part of Ref. No. 22	
10	710-0524	Truss Mach. Scr. 1/4-20 x 1.75" Lg.*		22	725-0802	Ignition - Safety Switch	
11	735-0212	Rubber Bumper		23	710-0607	Hex Wash Hd. TT-Tapp Scr. 5/16-18 x .50" Lg.	
12	710-0259	Hex Sems Bolt 5/16-18 x .62" Lg.		24	14686	Cover Bracket	
				25	14688	Cover Bracket	

\*For faster service obtain standard nuts, bolts and washers locally. If these items cannot be obtained locally, order by part number and size as shown on parts list.

**MODELS 713  
714  
723  
725**



**PARTS LIST FOR GENERATOR MODEL 713, 714, 723 and 725**

Ref. No.	PART No.	DESCRIPTION	New Part	Ref. No.	PART No.	DESCRIPTION	New Part
1	731-0557	Cover (714 and 725 )		18	14675	Carriage Ass'y.	
	731-0558	Cover (713 and 723 )		19	736-0302	Fl.-Wash. .625" I.D. x .943" O.D.	
2	-----	Generator		20	738-0282	Shoulder Bolt .623 Dia. x 2.75" Lg.	
3	-----	Engine		21	734-0584	Wheel Ass'y.-Comp. 10 x 1.75	
4	710-0380	Hex Bolt 5/16-18 x 1.75" Lg.*		22	712-0267	Hex Nut 5/16-18 Thd.*	
5	751-0225	Gas Tank		23	736-0119	L.-Wash. 5/16" I.D.*	
6	723-0155	Gas Cap		24	725-0201	Ignition Key	
7	726-0153	Cable Tie		25	-----	Part of Ref. No. 26	
8	735-0149	Bushing		26	725-0464	Ignition-Safety Switch	
9	751-0171	Fuel Shut Off Valve w/ Filter		27	725-0800	Electric Wire	
10	726-0207	Hose Clamp		28	735-0213	Rubber Bumper	
11	749-0486	Upper Handle		29	750-0525	Spacer	
12	09966	Hand Knob		30	736-0119	L.-Wash. 5/16" I.D.*	
13	710-0405	Curved Hd. Carriage Bolt 5/16-18 x 1.75" Lg.		31	710-0259	Hex Sems Bolt 5/16-18 x .62" Lg.	
14	712-0287	Hex Nut 1/4-20 Thd.*		32	712-0342	Hex Nut 3/8-16 Thd.*	
15	736-0329	L.-Wash. 1/4" I.D.*		33	736-0169	L.-Wash. 3/8" I.D.*	
16	735-0212	Rubber Bumper		34	-----	Part of Ref. No. 26	
17	710-0524	Truss Mach. Scr. 1/4-20 x 1.75" Lg.*		35	751-0173	Fuel Line 29" Lg.	
				36	718-0145	Grip	

\*For faster service obtain standard nuts, bolts and washers locally. If these items cannot be obtained locally, order by part number and size as shown on parts list.

## HOW TO ORDER REPLACEMENT PARTS

To order replacement parts, please give the following information:

1. Model No. and Serial No. and all specifications shown on the Model No./Serial No. plate.
2. Part number or numbers as shown in Replacement Parts Lists on page 6 or 7.
3. A brief description of the trouble with the generator.

If replacement parts are required for the engine, contact one of the engine manufacturer's service centers.

## GENERATOR SERVICE CENTERS

The following list includes firms who stock parts and/or who have performed satisfactory service on generators. If there is no Service Center listed near you, contact the Customer Service Department listed below.

**Customer Service Department  
KEARNEY DIVISION  
364 Airport Road, Kearney, Nebraska 68847  
Phone 308-237-2181**

### ALABAMA

Mobile, AL 36606  
Hancock Electric Motor Serv.  
1912 Duval Street  
205-471-4354

### ALASKA

Anchorage, AK 99502  
Alaska Generator & Engine  
100 E. Intl. Airport Road  
907-272-3451

### ARIZONA

Phoenix, AZ 85017  
Southwest Products Corp.  
2949 N. 30th. Avenue  
602-269-3581

### ARKANSAS

Little Rock, AR 72202  
Capitol Equipment  
I-30 W. Exit 126 Alexander  
501-847-3057

### CALIFORNIA

San Diego, CA 93113  
Csaino Electric  
3106 Main  
714-239-0157

### COLORADO

Denver, CO 80223  
Automotive Equipment Service  
2000 South Acoma  
303-744-3667

### CONNECTICUT

Hartford, CT 06120  
Reliable Electric Motor Inc.  
122 East Service Road  
203-522-2257

### FLORIDA

Port Charlotte, FL 33952  
Westco Sales & Service  
195 S. Tamiami Dr. NW  
813-625-1180

### GEORGIA

Atlanta, GA 30307  
AAA Electric Motor Service  
741 Edgewood Avenue NE  
404-525-1319

### IDAHO

Idaho Falls, ID 83401  
Rick's Electric Motor Serv.  
465 E. Whittier Street  
208-524-2975

### ILLINOIS

Chicago, IL 60639  
Alta Products  
5610 W. Grand Avenue  
312-237-2600

### INDIANA

Fort Wayne, IN 46808  
Stockberger Machinery  
2222 US Hwy. 30 Bypass West  
219-483-8141

### IOWA

Fort Dodge, IA 50501  
Larsen Electric Motor Service  
1229 First Ave. S.  
515-573-7331

### KANSAS

Kansas City, KS 66103  
AAA Engine & Electric  
700 Southwest Blvd.  
913-236-8971

### KENTUCKY

Lexington, KY 40507  
Kentucky Ignition Service  
133 Midland Avenue  
606-254-2361

### MAINE

N. Windham, ME 04062  
Windham Electric Co.  
Box 340  
207-892-2521

### MASSACHUSETTS

North Westport, MA 02790  
Goldsteins Lawn Equipment  
287 Gifford Street  
617-678-0381

### MICHIGAN

Grand Rapids, MI 48506  
Weeks Electric Co.  
1057 Cottage Grove, SE  
616-243-8866

### MINNESOTA

Minneapolis, MN 55411  
Electric Motor Repair  
2010 North 4th.  
612-522-3318

### MISSOURI

Chillicothe, MO 64601  
Industrial Equipment Co.  
1039 International Rd./Box 607  
816-646-1812

### NEBRASKA

Ohama, NE 68127  
Cargill Animal Health  
8940 "J" Street  
402-339-9696

### NEVADA

Elko, NV 89801  
Elko Tool Sharpening  
472-Commercial  
702-738-8500

### NEW JERSEY

Bellmawr, NJ 08030  
Lawn Mower Parts  
717 Creek Road  
609-931-0571

### NEW MEXICO

Albuquerque, NM 87125  
Builders Eqpt. Co. Inc.  
3435 Stanford NE/Box 25503  
505-884-2320 or 294-2297

### NEW YORK

Potsdam, NY 13676  
Tennant Electric Motor Serv.  
142 Maple Street  
315-265-5740

### NORTH CAROLINA

Raleigh, NC 27603  
Motor Electric Repair Service  
1216 S. Saunders St.  
919-834-0884

### NORTH DAKOTA

Devils Lake, ND 58301  
Nelson's M & I Electric  
424 S. College Drive  
701-662-8156

### OHIO

Columbus, OH 43215  
Hayward Distributing  
460 Neilston Street  
614-221-5323

### PENNSYLVANIA

Pittsburgh, PA 15233  
Snyder Electric Co.  
1500 Chateau St.  
412-231-3100

### SOUTH CAROLINA

Columbia, SC 29201  
Mann Electric Repair Co.  
2909 Main Street  
803-352-7777

### SOUTH DAKOTA

Rapid City, SD 57701  
Industrial Electric & Supply  
1130 West Omaha Street  
605-342-1017

### TEXAS

Round Rock, TX 78664  
Austin Welder & Generator Serv.  
2004 Howard Lane  
512-251-2247

### UTAH

Price, UT 84501  
Coal Country Small Eng. Repair  
280 West 100 North  
801-637-5816

### VIRGINIA

Richmond, VA 23230  
Richmond Machinery & Eqpt.  
1701 Roseneath Road  
804-359-4048

### WISCONSIN

Green Bay, WI 54306  
DMT Corporation  
965 Ashwaubenon St.  
414-336-2589