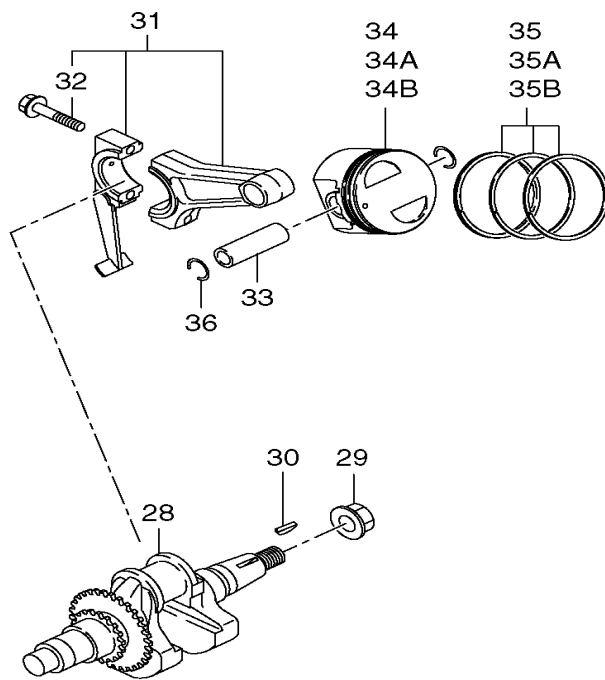
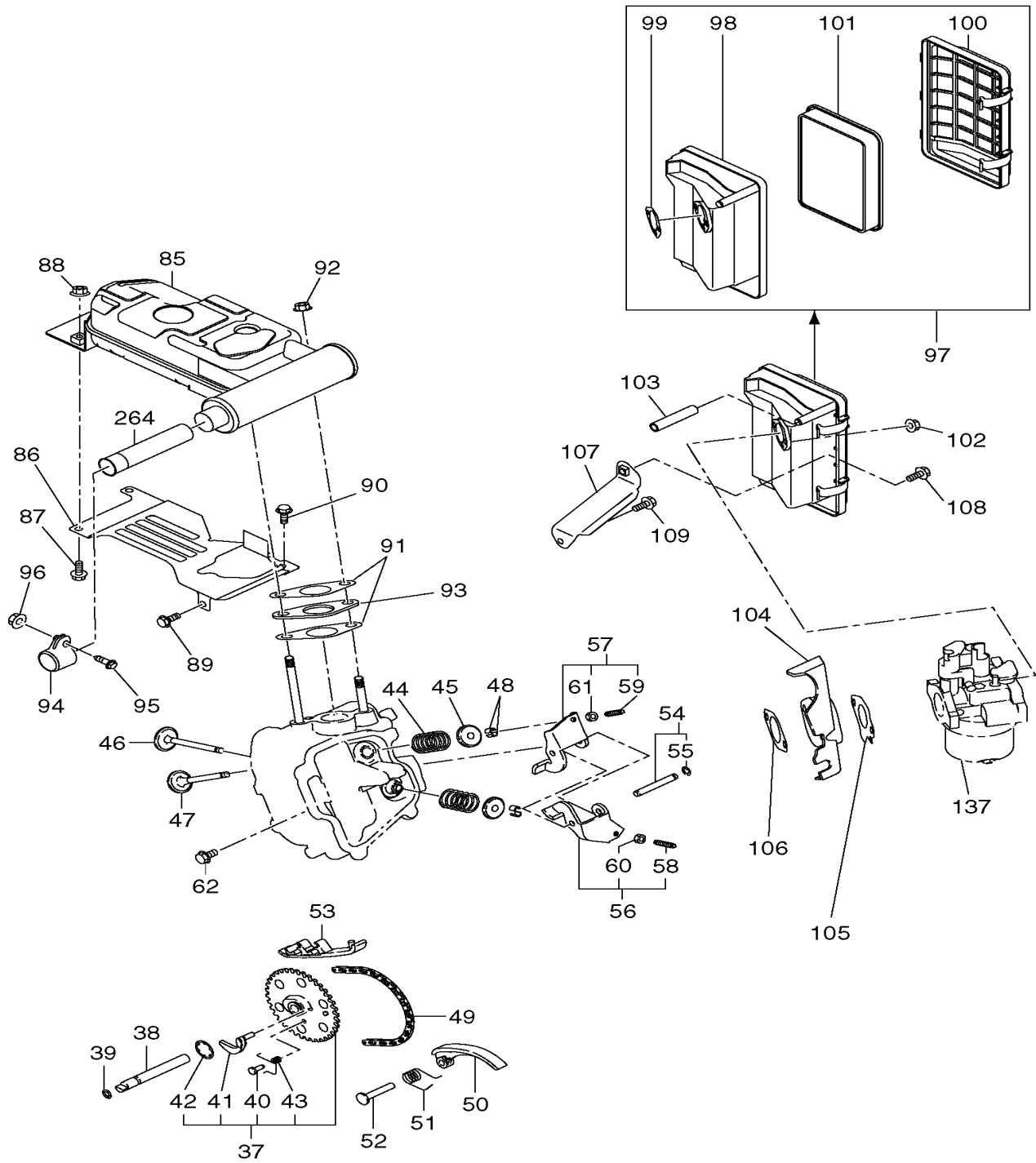
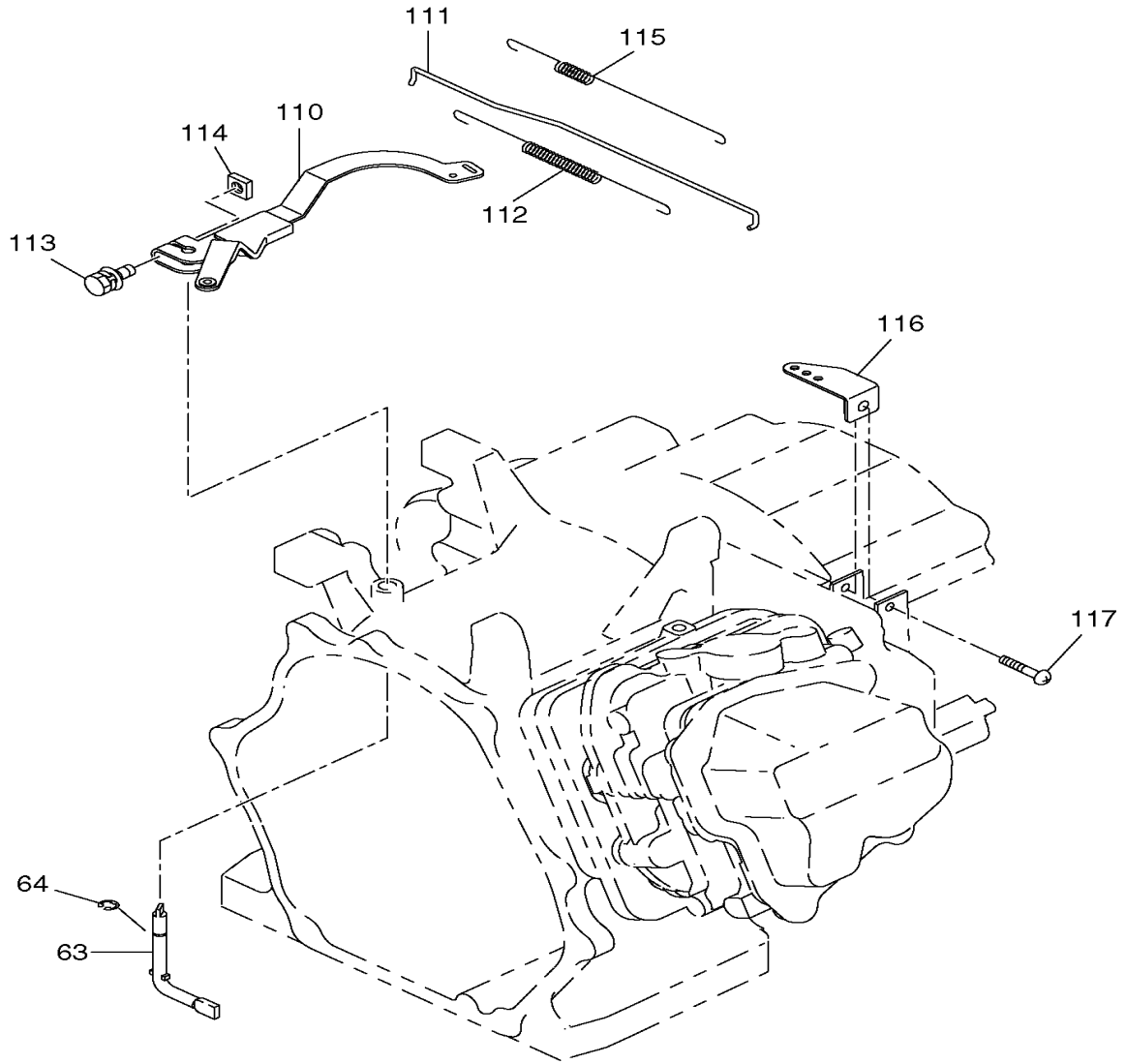
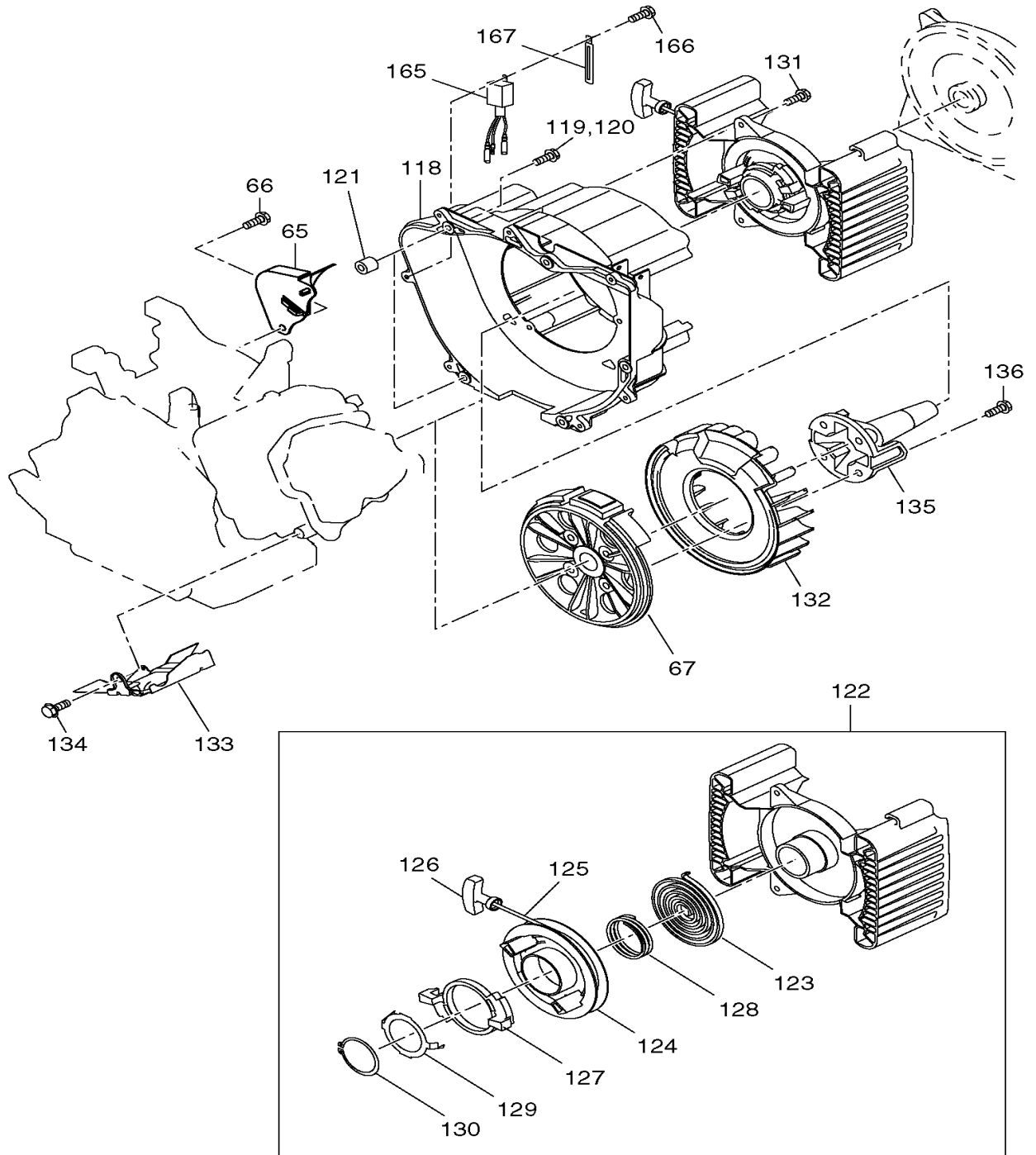


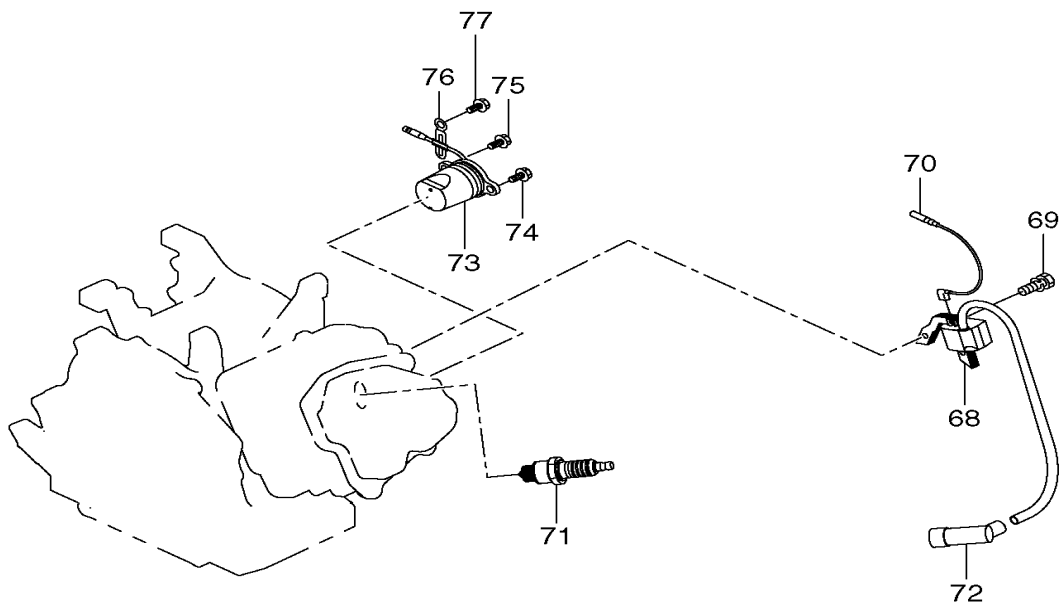
27—GASKET SET
INC. 10.17.20.24.91
105.106

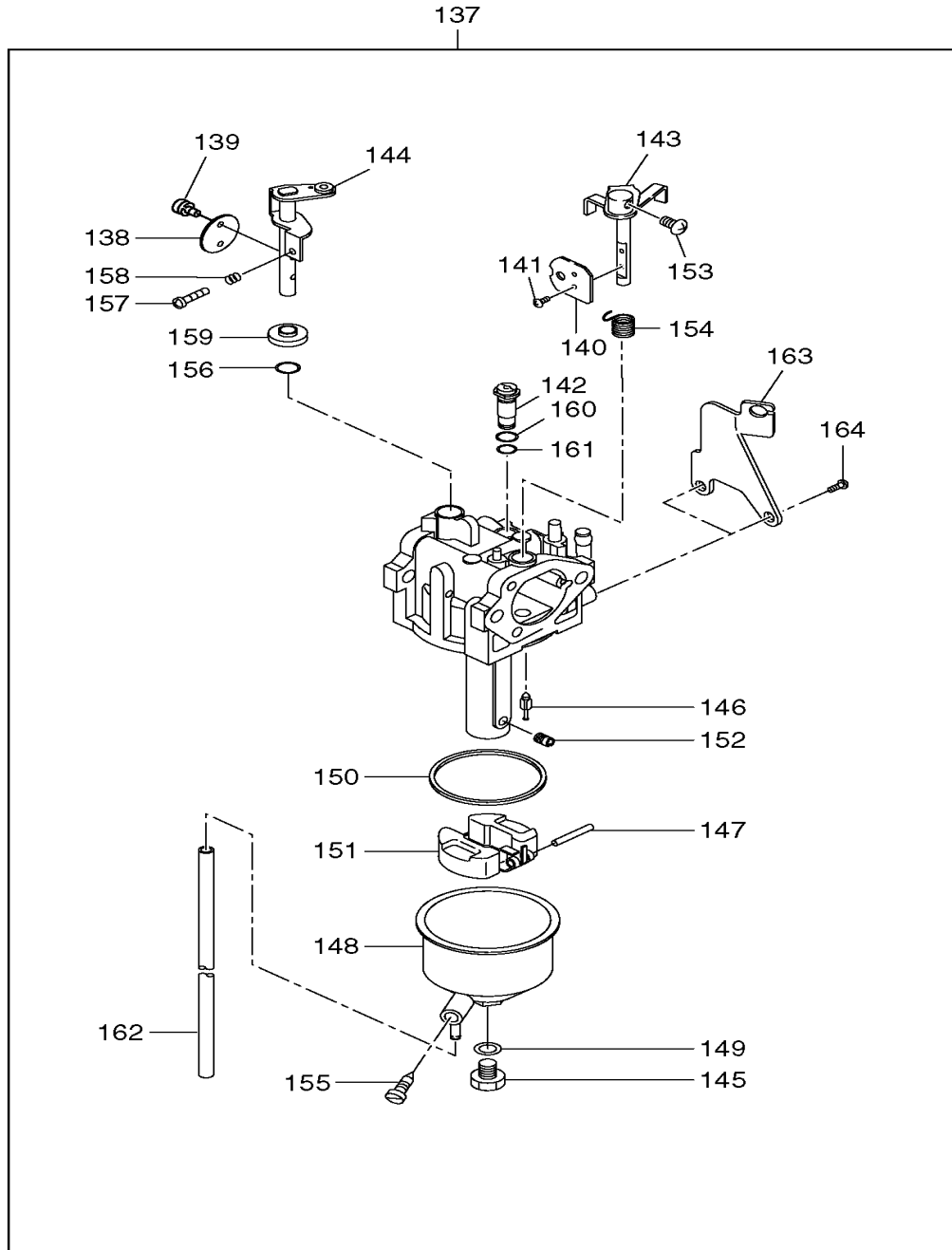


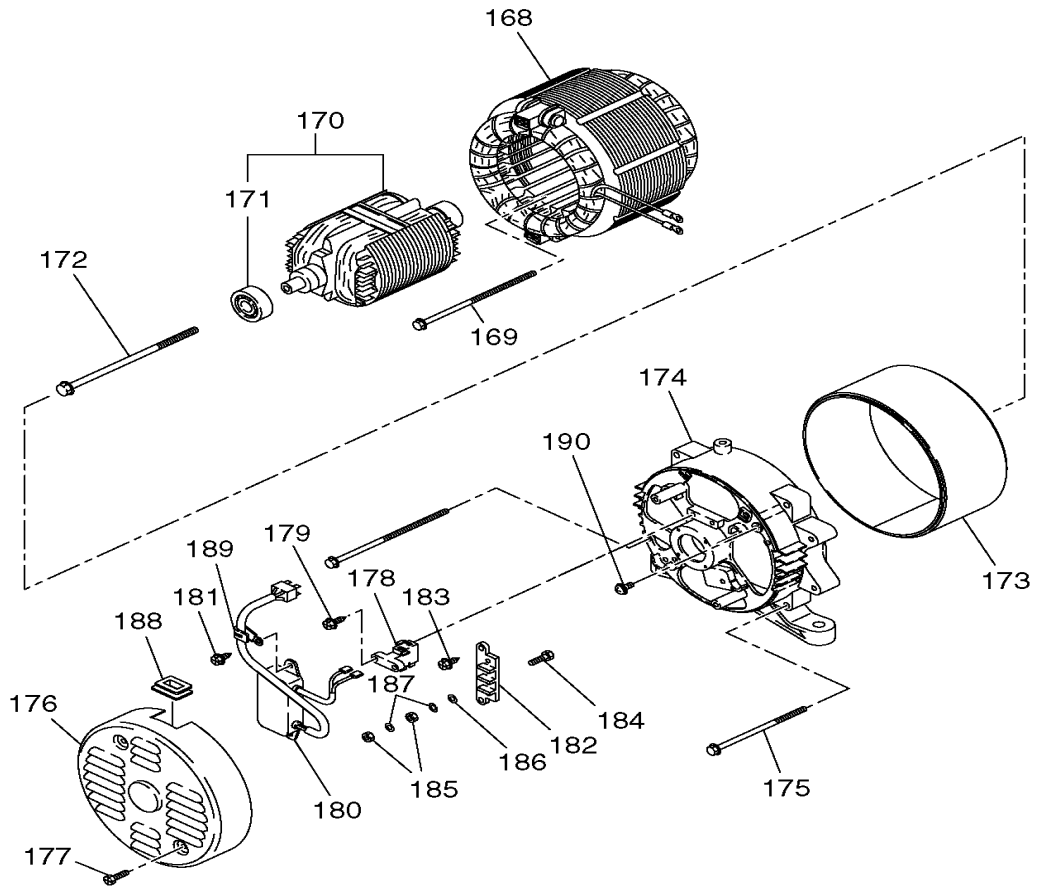


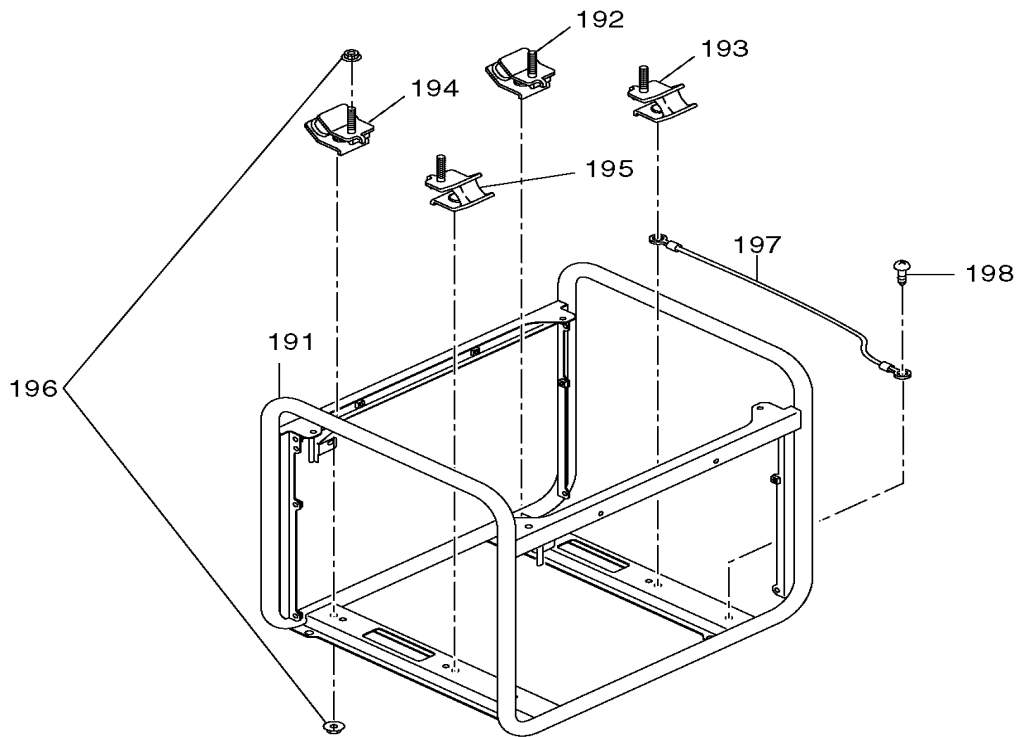


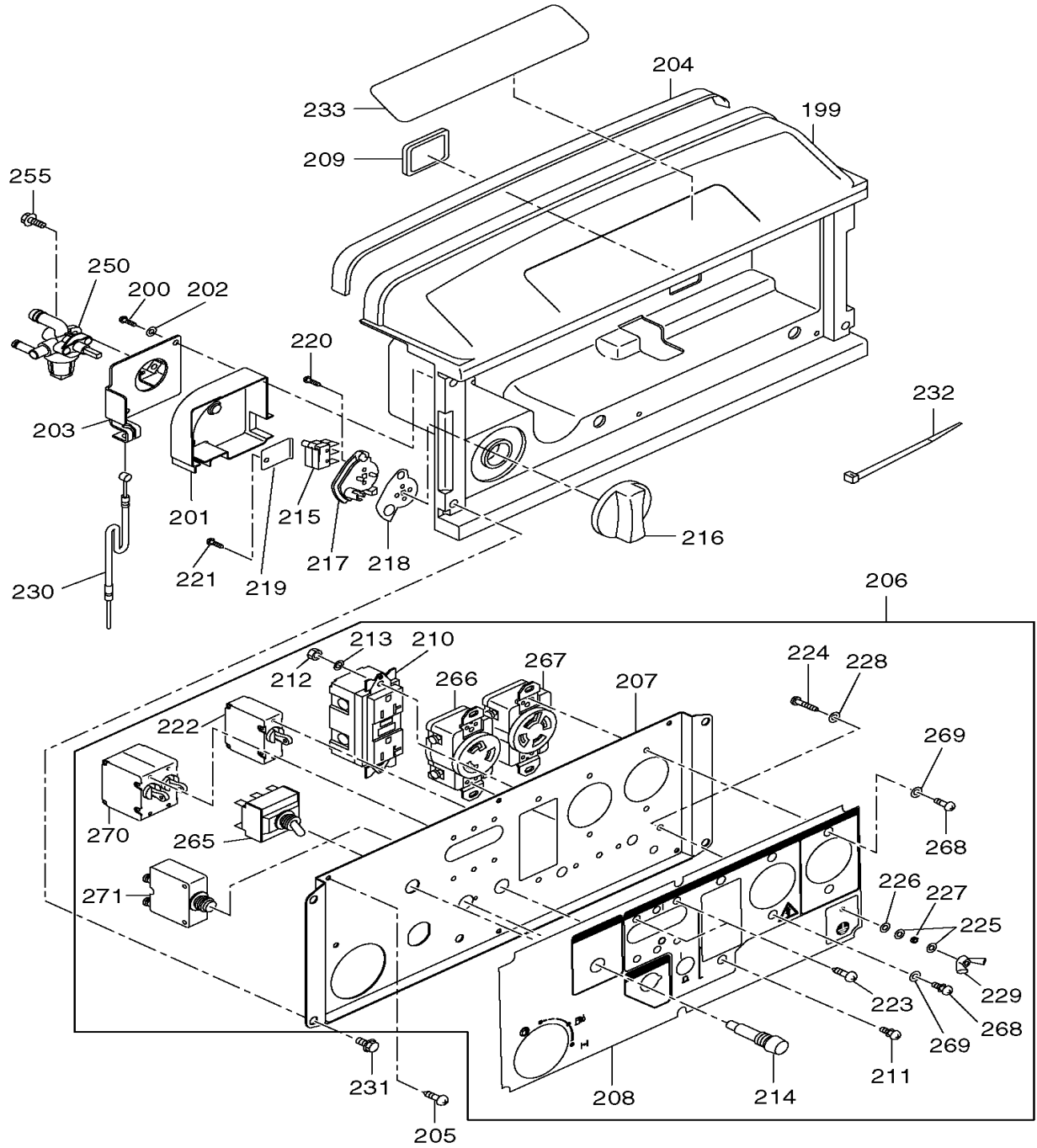


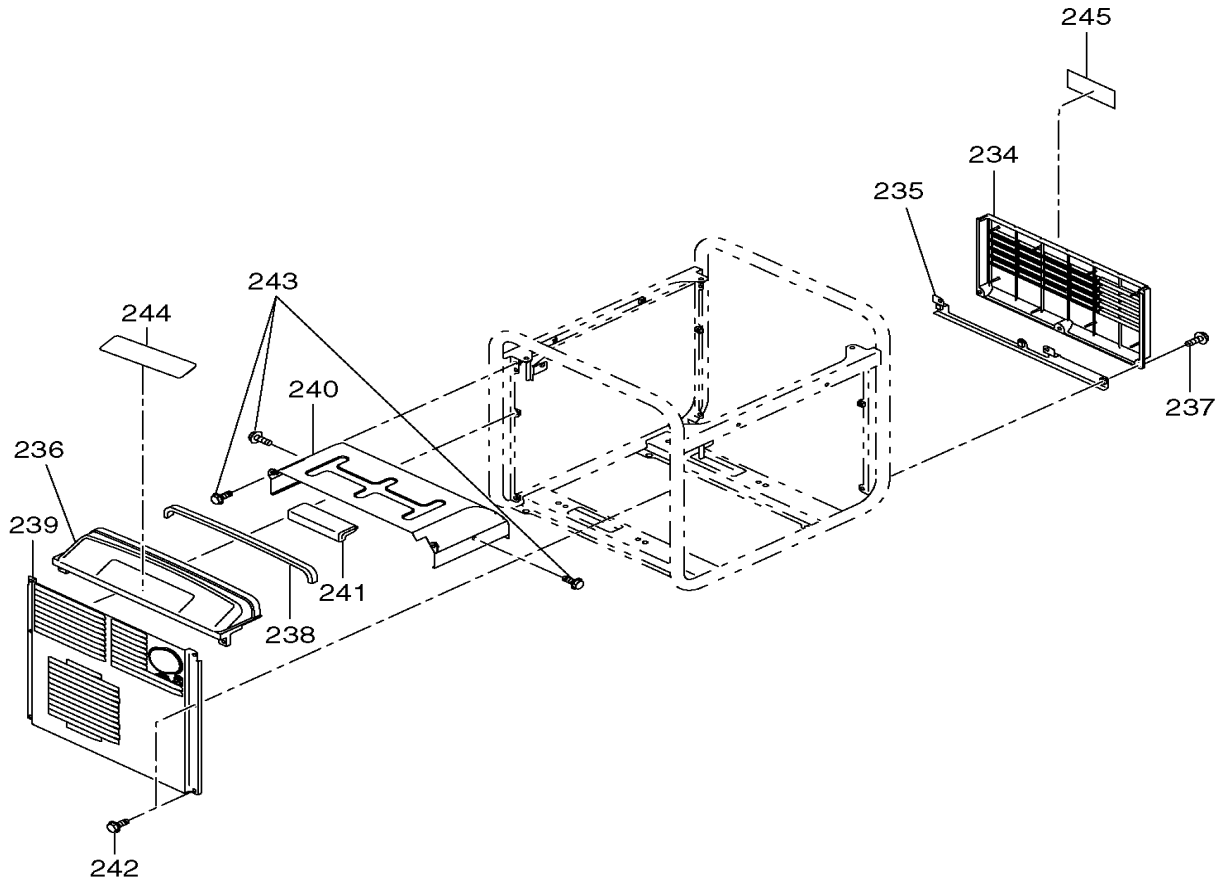


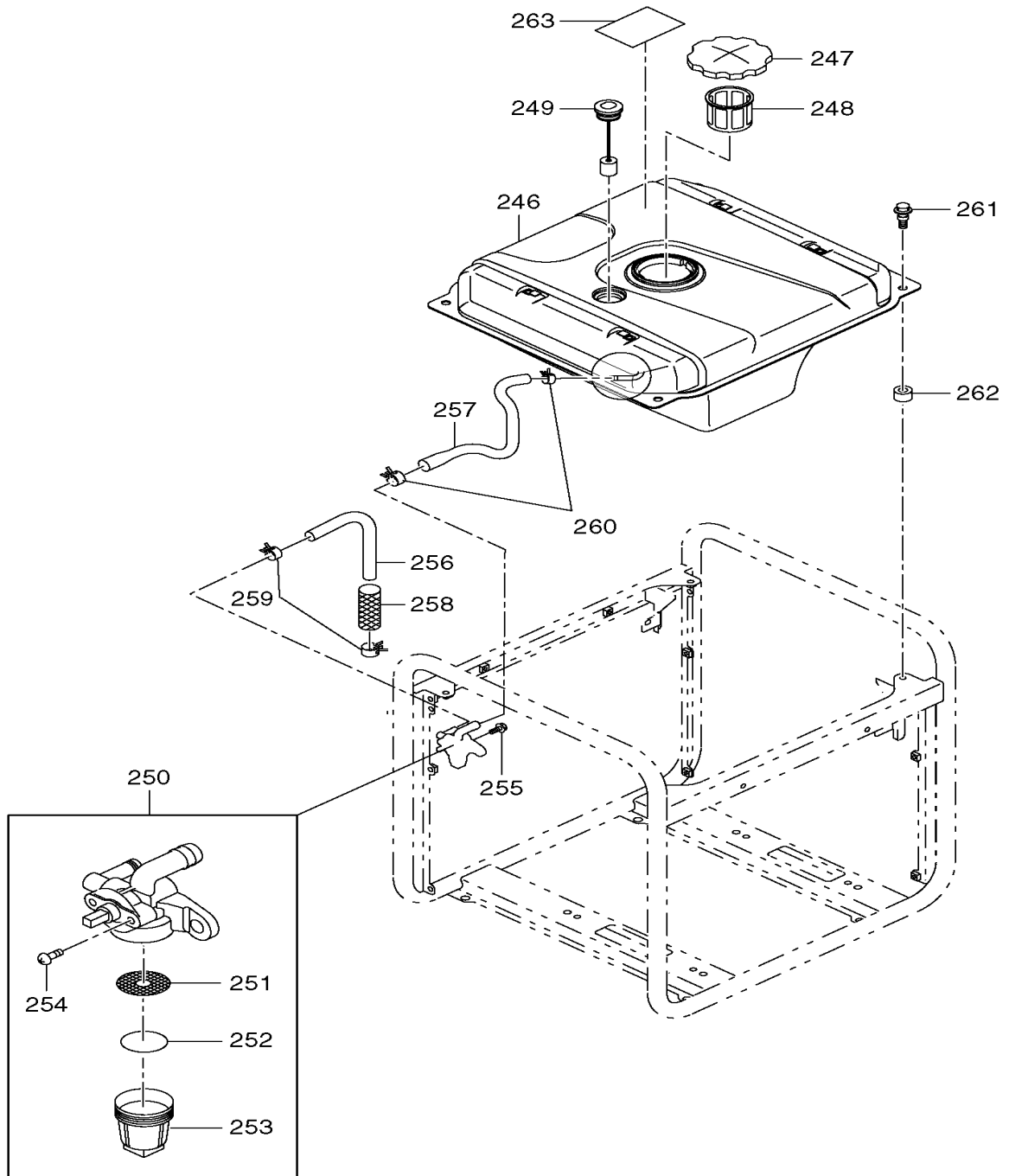


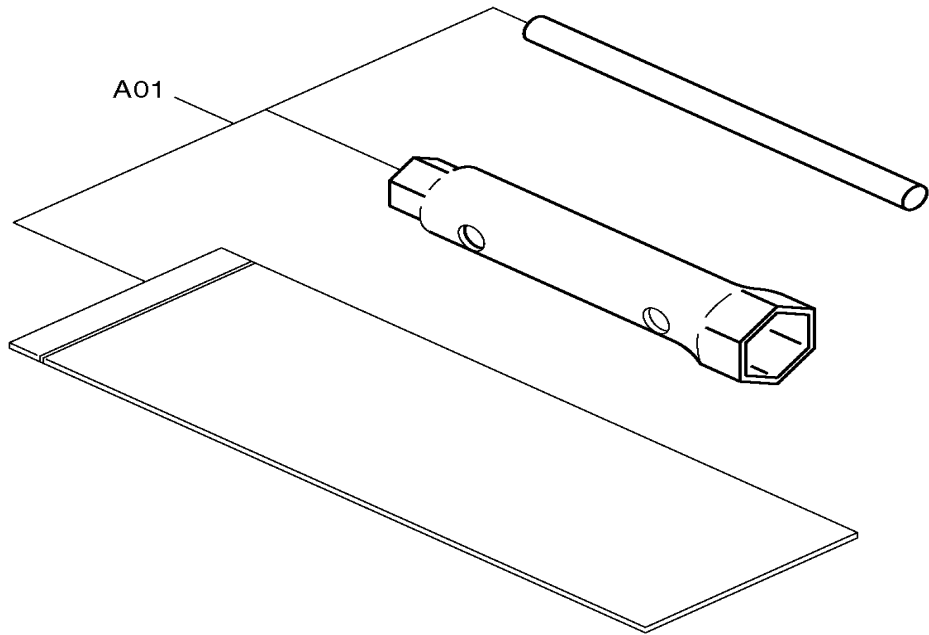














Parts Breakdown

G4300

Products with multiple versions are listed in subsiding order with the newest version on top not indented

| <u>Fig #</u> | <u>Part ID</u> | <u>Part Name</u> | <u>Quantity</u> |
|--------------|----------------|--------------------------------|-----------------|
| 1 | 2791010251 | CRANKCASE CP.,G4300L | 0 |
| 2 | 2371420203 | VALVE GUIDE(OVER SIZE), G2800R | 0 |
| 3 | 2771601001 | STEM SEAL, G1100 | 0 |
| 4 | 0440300160 | OIL SEAL. G4300L | 0 |
| 5 | 0600300341 | BALL BEARING, G4300L | 0 |
| 6 | 2771501103 | PIPE KNOCK, G1100 | 0 |
| 7 | 0105060410 | STUD, G4300L | 0 |
| 8 | 0440060020 | OIL SEAL, G1100 | 0 |
| 9 | 0401140030 | PLUG, G2800R | 0 |
| 10 | 0211140020 | GASKET, G2800R | 0 |
| 11 | 2791100121 | MAIN BEARING COVER CP.,G4300L | 0 |
| 12 | 0440300160 | OIL SEAL. G4300L | 0 |
| 13 | 0600300370 | BALL BEARING, G4300L | 0 |
| 14 | 27745004H1 | GOVERNOR GEAR CP.,G2800L | 0 |
| 15 | 2774190103 | GOVERNOR SLEEVE, G2800L | 0 |
| 16 | 2796360123 | OIL GAUGE, G4300L | 0 |
| 16 | 2796360113 | OIL GAUGE, G4300L | 0 |
| 17 | 0213200050 | GASKET, G4300L | 0 |
| 18 | 0010408350 | FLANGE BOLT, G2800L | 0 |
| 19 | 2791300501 | CYLINDER HEAD CP.,G4300L | 0 |
| 21 | 0110080240 | FLANGE BOLT, G2800L | 0 |
| 22 | 0110080310 | FLANGE BOLT, G2800L | 0 |
| 23 | 2771550101 | ROCKER COVER CP.,G2800L | 0 |
| 24 | 2771600113 | GASKET (ROCKER COVER), G2800L | 0 |
| 25 | 2771501103 | PIPE KNOCK, G1100 | 0 |
| 26 | 0110060020 | FLANGE BOLT, G2800R | 0 |
| 28 | 2792050101 | CRANKSHAFT CP.,G4300L | 0 |
| 29 | 0180180010 | FLANGE NUT, G4300L | 0 |
| 30 | 0323030010 | WOODRUFF KEY, 3X6MM, G2800R | 0 |
| 31 | 2792250120 | CONNECTING ROD AY, G4300L | 0 |
| 32 | 2792300103 | CONNECTING ROD BOLT, G4300L | 8 |
| 33 | 2792330103 | PISTON PIN, G4300L | 0 |
| 34 | 2792340103 | PISTON STD., G4300L | 0 |
| 34 | 2792340303 | PISTON 0.25 O.S, G4300L | 0 |
| 34 | 2792340403 | PISTON 0.50 O.S, G4300L | 0 |
| 35 | 2792351117 | PISTON RING SET STD.,G4300L | 0 |
| 35 | 2792351217 | PISTON RING SET 0.25, G4300L | 0 |
| 35 | 2792351317 | PISTON RING SET 0.50,G4300L | 0 |
| 36 | 0565180010 | CLIP, G3510R | 0 |
| 37 | 2793160211 | CAM SHAFT CP., G4300L | 0 |
| 38 | 2773510103 | PIN (CAM SHAFT), G2800L | 0 |
| 39 | 0240060010 | O RING , G2800L | 0 |
| 40 | 2773860103 | PIN (SPRING), G2800L | 0 |
| 41 | 2793640103 | RELEASE LEVER, G4300L | 0 |
| 42 | 2773650103 | CLIP, G2800L | 0 |
| 43 | 2793870113 | RETURN SPRING, G2800L | 0 |
| 44 | 2793360103 | VALVE SPRING, G2800L | 0 |
| 45 | 2693370103 | SPRING RETAINER, G2800L | 0 |
| 46 | 2793340113 | INTAKE VALVE, G4300L | 0 |
| 47 | 2793350113 | EXHAUST VALVE, G4300L | 8 |
| 48 | 13210KA031 | COLLET VALVE, G2800R | 0 |
| 49 | 2793560111 | TIMING CHAIN CP., G4300L | 0 |
| 50 | 2773691103 | TENSIONER, G2800L | 0 |
| 51 | 2773710103 | SPRING (TENSIONER), G2800L | 0 |
| 52 | 2773690203 | PIN (TENSIONER), G2800L | 0 |
| 53 | 2773691313 | CHAIN GUIDE, G2800L | 0 |
| 54 | 2773500201 | PIN (ROCKER)CP., G2800L | 0 |
| 55 | 0031305000 | CLIP, G1100 | 0 |
| 56 | 2773620100 | ROCKER ARM (IN)AY, G4300L | 0 |
| 57 | 2773620200 | ROCKER ARM (EX) AY, G2800L | 0 |
| 58 | 0149050020 | ADJUST SCREW M5, G2800L | 0 |
| 59 | 0149050020 | ADJUST SCREW M5, G2800L | 0 |
| 60 | 0170050030 | NUT, G2800L | 0 |
| 61 | 0170050030 | NUT, G2800L | 0 |



Parts Breakdown

G4300

| | | | |
|-----|------------|------------------------------|---|
| 62 | 0110060020 | FLANGE BOLT, G2800R | 0 |
| 63 | 2774220133 | GOVERNOR SHAFT, G2800L | 0 |
| 64 | 0031305000 | CLIP, G1100 | 0 |
| 65 | 2795271111 | BAFFLE 1 (CASE) CP.,G4300L | 0 |
| 66 | 0016508120 | HEX BOLT, G5711R | 0 |
| 67 | 2797926201 | FLYWHEEL CP.,G4300L | 0 |
| 68 | 2797943001 | IGNITION COIL CP.,G4300L | 0 |
| 69 | 0011406250 | BOLT & WASHER, G2800R | 0 |
| 70 | 27773102H1 | WIRE 2 CP., G2800L | 0 |
| 71 | 0650140150 | SPARK PLUG BR6HS, G2800R | 0 |
| 72 | 0655000270 | SPARK PLUG CAP, G2800L | 0 |
| 73 | 2797630141 | OIL LEVEL SENSOR, G4300L | 0 |
| 73 | 2797630131 | OIL SENSOR CP.,G4300L | 0 |
| 74 | 0011406160 | BOLT & WASHER, G2800R | 0 |
| 75 | 0130060260 | BOLT & WASHER AY, G2800L | 0 |
| 76 | 2797550103 | WIRE CLAMP, G4300L | 0 |
| 77 | 0152060050 | TAPPING BOLT, G5710R | 0 |
| 78 | 0105080290 | STUD, G2800R | 0 |
| 79 | 0105080440 | STUD, G4300L | 0 |
| 80 | 0110080150 | FLANGE BOLT, G2800L | 0 |
| 81 | 2778700103 | COVER (CRANKSHAFT), G2800L | 0 |
| 82 | 33D3500101 | BOTTOM EXT. PLATE, G4300L | 0 |
| 83 | 0110080270 | FLANGE BOLT M8X33L, G4300L | 0 |
| 84 | 0110080150 | FLANGE BOLT, G2800L | 0 |
| 85 | 2793040121 | MUFFLER CP., G4300L | 0 |
| 86 | 33D5260103 | BAFFLE, G4300L | 0 |
| 87 | 0110080270 | FLANGE BOLT M8X33L, G4300L | 0 |
| 88 | 0023808000 | FLANGE NUT, G2800R | 0 |
| 89 | 0110080320 | FLANGE BOLT, G4300L | 0 |
| 90 | 0110060010 | FLANGE BOLT, G2800R | 0 |
| 91 | 2773520113 | GASKET (MUFFLER), G2800L | 0 |
| 92 | 9802008280 | FLANGE NUT, G2800L | 0 |
| 93 | 2793920103 | FLANGE, G4300L | 0 |
| 95 | 0043505160 | SCREW, EH561 | 0 |
| 96 | 0021805000 | NUT, RBC225 | 0 |
| 97 | 2793262200 | AIR CLEANER AY., G4300L | 0 |
| 98 | 2793263518 | BASE CP., G4300L | 0 |
| 98 | 2793263508 | CLEANER BODY CP., G4300L | 0 |
| 99 | 2793265008 | GASKET, G4300L | 0 |
| 100 | 2793264608 | COVER CP., G4300L | 0 |
| 101 | 2793261208 | FILTER, G4300L | 0 |
| 102 | 0023806000 | FLANGE NUT, G6101R | 0 |
| 103 | 0851080000 | RUBBER PIPE, G2800R | 0 |
| 104 | 27932902J1 | INSULATOR CPL., G4300L | 0 |
| 104 | 27932902H3 | INSULATOR, G4300L | 0 |
| 105 | 27935902J3 | GASKET 1 (INSULATOR), G4300L | 0 |
| 106 | 27935903J3 | GASKET 2 (INSULATOR), G4300L | 0 |
| 107 | 2793900401 | BRACKET (A/C) CP.,G4300L | 0 |
| 108 | 0110060150 | FLANGE BOLT, G2800L | 0 |
| 109 | 0110060050 | FLANGE BOLT, G5501R | 0 |
| 110 | 2794230123 | GOVERNOR LEVER, G4300L | 0 |
| 111 | 2794270101 | GOVERNOR ROD CP.,G4300L | 0 |
| 112 | 2774280123 | ROD SPRING, G2800L | 0 |
| 113 | 0130060240 | BOLT & WASHER AY, G2800L | 0 |
| 114 | 0186060020 | NUT, G2800R | 0 |
| 115 | 2774252003 | GOVERNOR SPRING, G4300L | 0 |
| 116 | 2774800101 | PLATE CP.(S.ADJUST), G2800L | 0 |
| 117 | 0043105550 | SCREW, G2800L | 0 |
| 118 | 2795200113 | BLOWER HOUSING, G4300L | 0 |
| 119 | 0011406300 | BOLT & WASHER ASS'Y, G5710R | 0 |
| 120 | 0011406600 | BOLT & WASHER AY, G4300L | 0 |
| 121 | 9804008110 | STR PIN 8X10, G2800L | 0 |
| 122 | 2775040120 | RECOIL STARTER ASS'Y, G2800L | 0 |
| 122 | 2775040110 | RECOIL STARTER, G2800L | 0 |
| 123 | 2775040208 | SPIRAL SPRING, G2800L | 0 |
| 124 | 2775040308 | REEL, G2800L | 0 |
| 125 | 2775040808 | STARTER ROPE, G2800L | 0 |



Parts Breakdown

G4300

| | | | |
|-----|------------|-----------------------------|---|
| 126 | 2775040908 | STARTER KNOB, G2800L | 0 |
| 127 | 2775040408 | RATCHET, G2800L | 0 |
| 128 | 2775040508 | FRICITION SPRING, G2800L | 0 |
| 129 | 2775040708 | FRICITION PLATE, G2800L | 0 |
| 130 | 2775040608 | RETAINING RING, G2800L | 0 |
| 131 | 0110060140 | FLANGE BOLT, G2410R | 0 |
| 132 | 2795411003 | COOLING BLOWER, G4300L | 0 |
| 133 | 2795270213 | BAFFLE 2 (HEAD) CP.,G4300L | 0 |
| 134 | 0110060020 | FLANGE BOLT, G2800R | 0 |
| 135 | 2772440103 | DRIVING SHAFT, G2800L | 0 |
| 136 | 0110100110 | FLANGE BOLT, G2800L | 0 |
| 137 | 2796233100 | CARBURETOR AY.,G4300L | 0 |
| 138 | 2796253508 | THROTTLE VALVE, G4300L | 0 |
| 139 | 2516245008 | SCREW, G4300L | 0 |
| 140 | 2796252608 | CHOKE VALVE, G4300L | 0 |
| 141 | 2516245008 | SCREW, G4300L | 0 |
| 142 | 2796242008 | PILOT JET, G4300L | 0 |
| 143 | 2796252108 | CHOKE LEVER, G4300L | 0 |
| 144 | 2796253008 | THROTTLE SHAFT-A, G4300L | 0 |
| 145 | 2516245308 | BOLT, G4300L | 0 |
| 146 | 2796250008 | VALVE ASS'Y, G1100 | 0 |
| 147 | 2796251508 | PIN, G4300L | 0 |
| 148 | 2796255308 | FLOAT BODY, G4300L | 0 |
| 149 | 2516235008 | GASKET, G1100 | 0 |
| 150 | 2796254008 | CHAMBER PACKING, G4300L | 0 |
| 151 | 2796250508 | FLOAT AY, G4300L | 0 |
| 152 | 2796240008 | MAIN JET, G4300L | 0 |
| 153 | 2846245608 | SCREW, G1100 | 0 |
| 154 | 2796244708 | SPRING (CHOKE), G4300L | 0 |
| 155 | 2796258108 | SCREW, G4300L | 0 |
| 156 | 2796256108 | BUSH, G4300L | 0 |
| 157 | 2796235318 | ADJUST SCREW, G4300L | 0 |
| 158 | 2796244508 | SPRING, G1100 | 0 |
| 159 | 2796256208 | COLLAR, G4300L | 0 |
| 160 | 2796245208 | O RING, G4300L | 0 |
| 161 | 2796245108 | O RING, G4300L | 0 |
| 162 | 2796259008 | VINYL PIPE, G4300L | 0 |
| 163 | 2796257608 | BRACKET, G4300L | 0 |
| 164 | 2796258008 | SCREW, G4300L | 0 |
| 165 | KU31104311 | FLOAT C/U CP3, G2800L | 0 |
| 166 | 0110060020 | FLANGE BOLT, G2800R | 0 |
| 167 | 0566000250 | CLAMP (ELEC STARTER),G2800R | 0 |
| 168 | 33D2235201 | STATOR AY, G4300L | 0 |
| 169 | 33C2105208 | BOLT M5X135L, G4300L | 0 |
| 170 | 33D2116101 | ROTOR, G4300L | 0 |
| 171 | 32D2100108 | BALL BEARING, G2800L | 0 |
| 172 | 33D2105308 | ROTOR BOLT M10X185L, G4300L | 0 |
| 173 | 33D2306101 | STATOR COVER, G4300L | 0 |
| 174 | 32D2307101 | REAR COVER, G2800L | 0 |
| 175 | 33D2105108 | STARTOR BOLT, G4300L | 0 |
| 176 | 33B2305101 | END COVER, G2800L | 0 |
| 177 | 33B2105208 | BOLT M5X10L, G2800L | 0 |
| 178 | 32D2310101 | BRUSH CP., G2800L | 0 |
| 179 | 32D2106208 | SCREW, G2800L | 0 |
| 180 | 33B2300100 | AVR AY., G2800L | 0 |
| 181 | 32D2105508 | SCREW M5X14L, G2800L | 0 |
| 182 | 32D2105208 | BASE, G2800L | 0 |
| 183 | 32D2105508 | SCREW M5X14L, G2800L | 0 |
| 184 | 32D2106108 | BOLT, G2800L | 0 |
| 185 | 32D2105108 | NUT M5, G2800L | 0 |
| 186 | 32D2105308 | WASHER, G2800L | 0 |
| 187 | 32D2105408 | SPRING WASHER, G2800L | 0 |
| 188 | 32B4500203 | GROMMET, G2800L | 0 |
| 189 | 32D2106008 | CLAMP, G1100 | 0 |
| 190 | 32B2105308 | SCREW, G1100 | 0 |
| 190 | 32D2106308 | SCREW M5X12L, G4300L | 0 |
| 191 | 33D3010101 | FRAME, G4300L | 0 |



Parts Breakdown

G4300

| | | | |
|-----|------------|------------------------------------|---|
| 191 | 33D3000111 | FRAME CP.,G4300L | 0 |
| 192 | 32B3021301 | MOUNT CP.(R), G4300L | 0 |
| 193 | 32B3021401 | MOUNT CP.(L), G4300L | 0 |
| 194 | 32B3020301 | MOUNT CP.(R), G4300L | 0 |
| 195 | 32B3020401 | MOUNT CP.(L), G4300L | 0 |
| 196 | 0023808000 | FLANGE NUT, G2800R | 0 |
| 197 | 33B4809101 | EARTH WIRE CP.,G2800L | 0 |
| 198 | 0140060121 | SCREW, G2800L | 0 |
| 199 | 33B5000201 | FRONT COVER CP. (UPPER), G4300L | 0 |
| 200 | 0150040070 | TAPPING SCREW, G2800R | 0 |
| 201 | 33B4600103 | COVER (COCK), G2800L | 0 |
| 202 | 0031004000 | WASHER, G6101R | 0 |
| 203 | 33B4601201 | BRACKET (COCK), G2800L | 0 |
| 204 | 34B5731103 | SEAL SPONGE FC2, G2800L | 0 |
| 205 | 3534990408 | TAPPING SCREW, G2800R | 0 |
| 206 | 33D4397500 | CONTROL PANEL AY.,G4300L | 0 |
| 207 | 33B4511401 | PANEL PLATE CP.,G4300L | 0 |
| 208 | 33B4926403 | SHEET (PANEL AR)2, G4300L | 0 |
| 209 | 2277500103 | GROMMET, G2800L | 0 |
| 210 | 3888500301 | AC RECEPTACLE (125V-20A),G6101R | 0 |
| 211 | 0043504100 | SCREW & WASHER, G2800R | 0 |
| 212 | 0022704000 | NUT, G2800L | 0 |
| 213 | 0031004000 | WASHER, G6101R | 0 |
| 214 | 3934066508 | NEON LAMP (GR.), G2800L | 0 |
| 215 | 33K4181103 | MICRO SWITCH, G1100 | 0 |
| 216 | 33K4201003 | CONTROL DIAL, G1100 | 0 |
| 217 | 33K4202003 | CHOKE REEL, G1100 | 0 |
| 218 | 33K4203023 | PLATE, G2800L | 0 |
| 218 | 33K4203013 | PLATE, G2800L | 0 |
| 219 | 33B4601501 | BRACKET (MICRO), G2800L | 0 |
| 220 | 33K4181408 | TAPPING SCREW, G2800L | 0 |
| 221 | 0150040070 | TAPPING SCREW, G2800R | 0 |
| 222 | 32B4316601 | CIRCUIT BREAKER 30A, G4300L | 0 |
| 223 | 31B7901103 | SCREW & WASHER ASSY(M3X5MM)G12000R | 0 |
| 224 | 3888800103 | SCREW (M5), G5711R | 0 |
| 225 | 3320005008 | SPRING WASHER, G2800R | 0 |
| 226 | 3534990308 | WASHER, G2800R | 0 |
| 227 | 3534990208 | NUT, G2800R | 0 |
| 228 | 0033005000 | LOCK WASHER, G2800R | 0 |
| 229 | 3534990108 | WING NUT, G2800R | 0 |
| 230 | 33B4602101 | CHOKE WIRE CP.,G2800L | 0 |
| 231 | 0140060190 | SCREW, G2800L | 0 |
| 232 | 0563000020 | WIRE BAND, G2400R | 0 |
| 233 | 33D9001113 | LABEL (TRADE MARK),G4300L | 0 |
| 234 | 33B5010101 | FRONT COVER CP.,G2800L | 0 |
| 235 | 33B3550101 | BRACKET (COVER) CP.,G2800L | 0 |
| 236 | 33B5050101 | REAR COVER CP.,G2800L | 0 |
| 237 | 0110060180 | FLANGE BOLT, G2410R | 0 |
| 238 | 34B5731103 | SEAL SPONGE FC2, G2800L | 0 |
| 239 | 33B5620101 | MUFFLER COVER CP.,G2800L | 0 |
| 240 | 33D5605101 | MUFFLER COVER(L)CP.,G4300L | 0 |
| 241 | 33B5700503 | SEAL RUBBER,G2800L | 0 |
| 242 | 0110060180 | FLANGE BOLT, G2410R | 0 |
| 243 | 0110060080 | FLANGE BOLT, G2400R | 0 |
| 244 | 33B9713213 | LABEL (TM-RC), G2800L | 0 |
| 245 | 33D9515403 | LABEL (SPEC), G4300L | 0 |
| 246 | 33D6010211 | FUEL TANK CP.,G4300L | 0 |
| 247 | 0430590011 | FUEL TANK CAP COMPL., G2800R | 0 |
| 248 | 0641540011 | FUEL FILTER, G6101R | 0 |
| 249 | 0648001500 | FUEL GAUGE COMPL. G12000R | 0 |
| 250 | 0642010300 | FUEL STRAINER, G2800L | 0 |
| 251 | 0642009320 | FILTER, G2800L | 0 |
| 252 | 0642006410 | RUBBER PACKING, G2800R | 0 |
| 253 | 0642007810 | CUP, G2800R | 0 |
| 254 | 0642004790 | P.H. SCREW, G2800R | 0 |
| 255 | 0110060020 | FLANGE BOLT, G2800R | 0 |
| 256 | 0851060000 | RUBBER PIPE, G2410R,1M | 0 |



Parts Breakdown

G4300

| | | | |
|-----|------------|-----------------------------|---|
| 257 | 0851070040 | RUBBER PIPE, G4300L | 0 |
| 258 | 2511730203 | MESH PROTECTOR, G2800L | 0 |
| 259 | 0561110020 | HOSE CLAMP, G2800R | 0 |
| 260 | 0561130010 | HOSE CLAMP, G1100 | 0 |
| 261 | 0110060220 | FLANGE BOLT, G2800R | 0 |
| 262 | 3913900013 | RUBBER WASHER, G2800R | 0 |
| 263 | 33B9710213 | LABEL (CAUTION),G2800L | 0 |
| 264 | 2793760101 | SPARK ARRESTER CP.,G2800L | 0 |
| 265 | 3554561311 | SWITCH, G5500R | 0 |
| 266 | 3564571108 | AC RECEPTACLE, G3510R | 0 |
| 267 | 3534572408 | AC RECEPTACLE, G3510R | 0 |
| 268 | 3565993708 | SCREW, G3510R | 0 |
| 269 | 3260033508 | SPRING WASHER, G3510R | 0 |
| 270 | 32B4319601 | CIRCUIT BREAKER 16A, G4300L | 0 |
| 271 | 31C7300803 | CIRCUIT BREAKER 20A, G4300L | 0 |
| 272 | 2773722003 | SCREEN, G2800L | 0 |