



# Service Manual / Manuel de Service

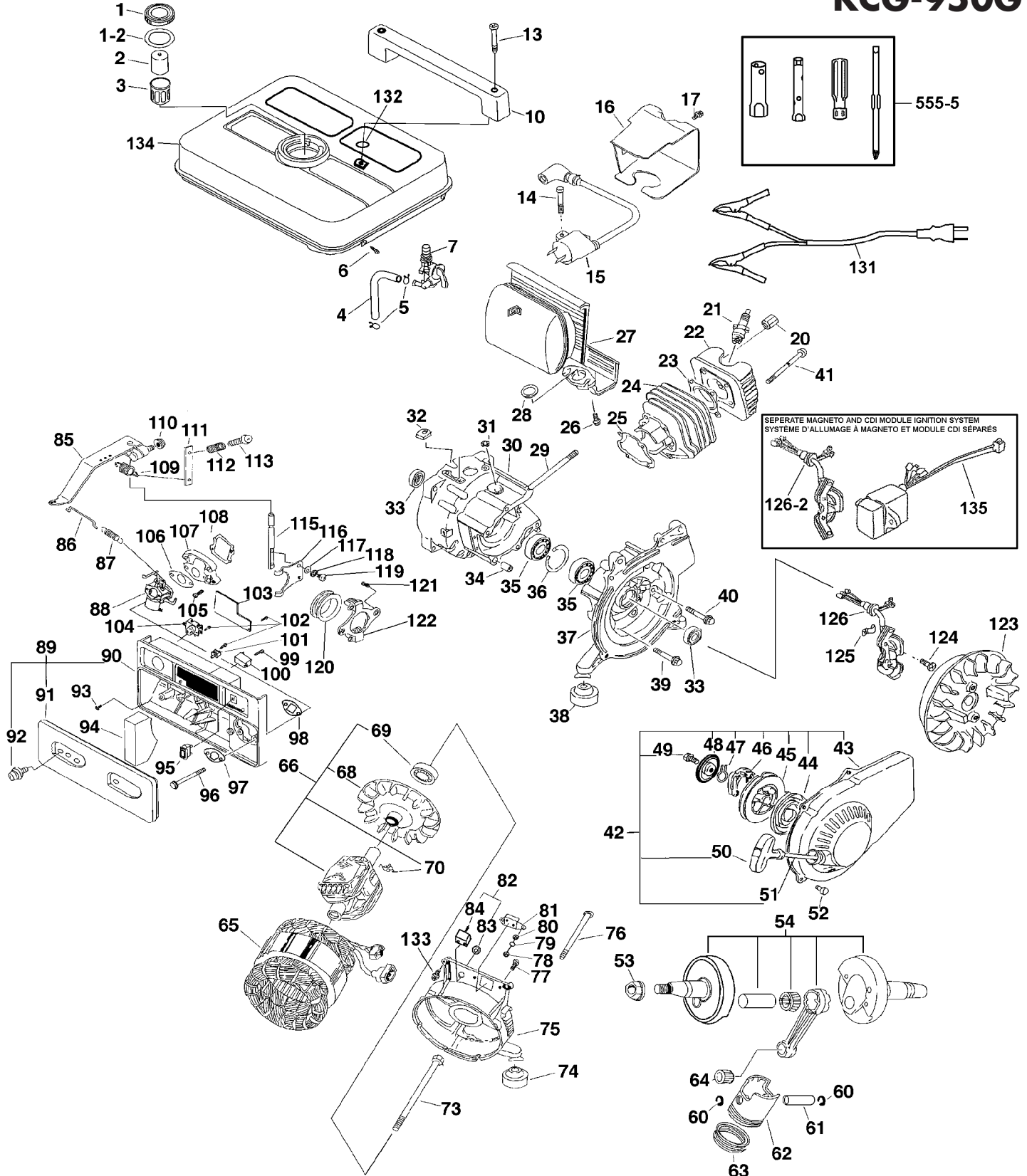
## 950W Portable Generator

### Génératrice Portative 950W



Revised/Revisé 08/2008

# KCG-950G





## Parts Pricing List / Liste de Prix des Pièces

# KCG-950G

Diag.	Order # Com.	English Description	Description Française	Qty./Qté.	Price/Prix
1	7909500010	FUEL CAP	BOUCHON A ESSENCE	1	\$10.18
1-2	7909500012	FUEL CAP SEAL	JOINT D'ETANCHEITE DU BOUCHON	1	\$10.29
2	7909500020	OIL MEASURING CUP	CONTENANT A MESURER L'HUILE	1	\$4.54
3	7909500030	FUEL STRAINER	FILTRE D'ESSENCE	1	\$9.14
4	7909500040	HOSE	BOYAU	1	\$4.43
5	7909500050	CLIP	ATTACHE	2	\$2.24
6	7909500060	FLANGE HD HEX. BOLT	BOULON HEXAGONAL A TETE BRIDEE	4	\$2.01
7	7909500070	FUEL VALVE ASS'Y	SOUPAPE A ESSENCE ASSEMBLE	1	\$9.14
10	7909500100	HANDLE	POIGNEE	1	\$4.54
13	7909500130	PAN HD SCREW	VIS A TETE BOMBEE	2	\$2.24
14	7909500140	FLANGE HD HEX. BOLT	BOULON HEXAGONAL A TETE BRIDEE	1	\$2.24
15	7909500150	COMPLETE IGNITION COIL	ENROULEMENT D'ALLUMAGE COMP.	1	\$20.64
16	7909500160	CYLINDER MANTLE	COUVRE CYLINDRE	1	\$6.84
17	7909500170	FLANGE HD HEX. BOLT	BOULON HEXAGONAL A TETE BRIDEE	2	\$2.01
20	7909500200	HEX. CONNECTION NUT	ECROU HEXAGONAL DE JONCTION	2	\$2.59
21	7909500210	SPARK PLUG	BOUGIE D'ALLUMAGE	1	\$10.29
22	7909500220	CYLINDER HEAD	TETE DU CYLINDRE	1	\$28.69
23	7909500230	CYLINDER HEAD GASKET	JOINT D'ETANCHEITE/TETE DU CYL.	1	\$4.54
24	7909500240	CYLINDER	CYLINDRE	1	\$57.44
25	7909500250	CYLINDER GASKET	JOINT D'ETANCHEITE DU CYLINDRE	1	\$5.12
26	7909500260	FLANGE HD HEX. BOLT	BOULON HEXAGONAL A TETE BRIDEE	2	\$2.65
27	7909500270	COMPLETE MUFFLER	SILENCIEUX COMPLET	1	\$50.54
28	7909500280	EXHAUST GASKET	JOINT D'ETANCHEITE DU SILENCIEUX	1	\$4.43
29	7909500290	THREADED STUD	TIGE FILETEE	2	\$3.39
30	7909500300	REAR CRANKCASE	CARTER ARRIERE	1	\$74.69
31	7909500310	OIL SEAL	JOINT D'ETANCHEITE	1	\$5.46
32	7909500320	INSULATION RUBBER	CAOUTCHOUC ISOLANT	1	\$1.67
33	7909500330	OIL SEAL	JOINT D'ETANCHEITE	2	\$13.63
34	7909500340	DOWEL PIN	MANCHON	2	\$2.13
35	7909500350	BALL BEARING	ROULEMENT A BILLES	2	\$13.74
36	7909500360	RETAINING RING / SHAFT	ANNEAU DE RETENUE / TIGE	1	\$2.93
37	7909500370	FRONT CRANKCASE	CARTER AVANT	1	\$86.19
38	7909500380	RUBBER FOOT	PIED EN CAOUTCHOUC	2	\$3.74
39	7909500390	FLANGE HD HEX. BOLT	BOULON HEXAGONAL A TETE BRIDEE	2	\$2.82
40	7909500400	FLANGE HD HEX. BOLT	BOULON HEXAGONAL A TETE BRIDEE	4	\$2.82
41	7909500410	FLANGE HD HEX. BOLT	BOULON HEXAGONAL A TETE BRIDEE	2	\$3.39
42	7909500420	RECOIL ASS'Y	SYSTEM DEMARRAGE MANUEL ASS.	1	\$40.19
43	7909500430	FAN COVER	COUVERCLE DU VENTILATEUR	1	\$22.94
44	7909500440	SPIRAL SPRING	RESSORT EN SPIRAL	1	\$9.14
45	7909500450	SHEAVE DRUM	TAMBOUR	1	\$5.69
46	7909500460	DRIVE PAWL	CLICKEE D'ENTRAINEMENT	1	\$4.43
47	7909500470	DRIVE PLATE SPRING	RESSORT DE LA PLAQUE D'ENTR.	1	\$2.24
48	7909500480	DRIVE PLATE	PLAQUE D'ENTRAINEMENT	1	\$7.99
49	7909500490	FLANGE HD HEX. BOLT	BOULON HEXAGONAL A TETE BRIDEE	1	\$2.01
50	7909500500	STARTER HANDLE	POIGNEE DE DEMARRAGE	1	\$5.58
51	7909500510	STARTER ROPE	CORDON DE DEMARRAGE	1	\$4.54
52	7909500520	FLANGE HD HEX. BOLT	BOULON HEXAGONAL A TETE BRIDEE	4	\$2.01

Pricing subject to change without prior notice. / Prix sujet à changement sans préavis.



## Parts Pricing List / Liste de Prix des Pièces

# KCG-950G

Diag.	Order # Com.	English Description	Description Française	Qty./Qté.	Price/Prix
53	7909500530	FLYWHEEL NUT	ECROU DU VOLANT	1	\$4.31
54	7909500540	CRANK & ROD ASS'Y	VILBREQUIN ASSEMBLE	1	\$86.19
60	7909500600	PISTON PIN CLIP	ANNEAU DE RETENUE DU PISTON	2	\$1.44
61	7909500610	PISTON PIN	GOUPILLE DU PISTON	1	\$5.00
62	7909500620	PISTON	PISTON	1	\$20.64
63	7909500630	PISTON RING SET	JEU D'ANNEAUX DU CYLINDRE	1	\$10.29
64	7909500640	PISTON BEARING	ROULEMENT DU PISTON	1	\$5.58
65	7909500650	FIELD COIL	BOBINE D'ENTRAINEMENT	1	\$183.94
66	7909500660	ARMATURE ASS'Y	ARMATURE ASSEMBLE	1	\$132.19
68	7909500680	GENERATOR FAN	VENTILATEUR DE LA GENERATRICE	1	\$9.14
69	7909500690	BALL BEARING	ROULEMENT A BILLES	1	\$12.59
70	7909500700	RECTIFIER ASS'Y	REDRESSEUR ASSEMBLE	1	\$5.58
73	7909500730	FLANGE HD HEX. BOLT	BOULON HEXAGONAL A TETE BRIDEE	1	\$3.74
74	7909500740	RUBBER FOOT	PIED EN CAOUTCHOUC	2	\$3.74
75	7909500750	REAR COVER	COUVERCLE ARRIERE	2	\$68.94
76	7909500760	FLANGE HD HEX. BOLT	BOULON HEXAGONAL A TETE BRIDEE	3	\$3.16
77	7909500770	PAN HD SCREW	VIS A TETE BOMBEE	2	\$1.67
78	7909500780	HEX. NUT	ECROU HEXAGONAL	2	\$1.44
79	7909500790	WASHER	RONDELLE	2	\$1.44
80	7909500800	SPRING WASHER	RONDELLE A RESSORT	2	\$1.44
81	7909500810	DC SOCKET	PRISE CC	1	\$25.24
82	7909500820	DC RESET ASS'Y	DISJONCTEUR CC ASSEMBLE	1	\$11.44
83	7909500830	RESET LOCK NUT	ECROU DU DISJONCTEUR	1	\$2.70
84	7909500840	DC RESET	DISJONCTEUR CC	1	\$9.95
85	7909500850	GOVERNOR ARM ASS'Y	BRAS DE REGULATEUR ASSEMBLE	1	\$6.27
86	7909500860	LINK ROD	TIGE DE LIAISON	1	\$2.59
87	7909500870	TENSION SPRING	RESSORT DE TENSION	1	\$3.16
88	7909500880	CARBURETOR ASS'Y	CARBURATEUR ASSEMBLE	1	\$52.84
89	7909500890	PANEL ASS'Y	PANNEAU ASSEMBLE	1	\$40.19
90	7909500900	PANEL	PANNEAU	1	\$11.44
91	7909500910	AIR FILTER COVER	COUVERCLE DU FILTRE A AIR	1	\$9.14
92	7909500920	SPECIAL SCREW	VIS SPECIALE	2	\$2.24
93	7909500930	FLANGE HD HEX. BOLT	BOULON HEXAGONAL A TETE BRIDEE	1	\$2.24
94	7909500940	AIR FILTER ELEMENT	ELEMENT DU FILTRE A AIR	1	\$5.69
95	7909500950	ENGINE SWITCH	INTERRUPTEUR DU MOTEUR	1	\$10.29
96	7909500960	FLANGE HD HEX. BOLT	BOULON HEXAGONAL A TETE BRIDEE	2	\$2.24
97	7909500970	RETAINING PLATE	PLAQUE DE RETENUE	1	\$6.84
98	7909500980	INLET GASKET	JOINT D'ETANCHEITE DE LA PRISE	1	\$4.43
99	7909500990	SELF-TAPPING SCREW	VIS AUTOTARADEUSE	1	\$2.13
100	7909501000	CAPACITOR	CONDENSATEUR	1	\$13.74
101	7909501010	AC RESET	DISJONCTEUR CA	1	\$10.29
102	7909501020	SELF-TAPPING SCREW	VIS AUTOTARADEUSE	5	\$1.67
103	7909501030	PANEL REAR COVER	COUVERCLE ARRIERE DU PANNEAU	1	\$4.31
104	7909501040	AC SOCKET	PRISE CA	1	\$11.21
105	7909501050	FLANGE HD HEX. BOLT	BOULON HEXAGONAL A TETE BRIDEE	4	\$2.24
106	7909501060	CARBURETOR GASKET	JOINT D'ETANCHEITE DU CARBURATEUR	1	\$4.43
107	7909501070	REED VALVE	VALVE TUBULAIRE	1	\$11.33

Pricing subject to change without prior notice. / Prix sujet à changement sans préavis.



## Parts Pricing List / Liste de Prix des Pièces

# KCG-950G

Diag.	Order # Com.	English Description	Description Française	Qty./Qté.	Price/Prix
108	7909501080	REED VALVE GASKET	JOINT D'ETANCHEITE/VALVE TUBULAIRE	1	\$4.77
109	7909501090	GOVERNOR SPRING	RESSORT DU BRAS REGULATEUR	1	\$4.89
110	7909501100	HEX. NUT	ECROU HEXAGONAL	1	\$1.67
111	7909501110	SPEED CONTROL PLATE	PLAQUE DU CONTROLE VITESSE	1	\$3.39
112	7909501120	COMPRESSION SPRING	RESSORT A COMPRESSION	1	\$4.31
113	7909501130	PAN HD SCREW	VIS A TETE BOMBEE	1	\$2.47
115	7909501150	GOVERNOR SHAFT	TIGE DU REGULATEUR	1	\$4.43
116	7909501160	GOVERNOR FORK	FORCHETTE DU REGULATEUR	1	\$9.03
117	7909501170	WASHER	RONDELLE	2	\$1.44
118	7909501180	SPRING WASHER	RONDELLE A RESSORT	2	\$1.44
119	7909501190	PAN HD SCREW	VIS A TETE BOMBEE	2	\$1.55
120	7909501200	COLLAR BUSHING	BAGUE DU COLLET	1	\$7.99
121	7909501210	FLANGE HD HEX. BOLT	BOULON HEXAGONAL A TETE BRIDEE	2	\$2.01
122	7909501220	GOVERNOR WEIGHT ASS'Y	POIDS DU REGULATEUR ASSEMBLE	1	\$7.99
123	7909501230	FLYWHEEL	ROUE FOLLE	1	\$43.64
124	7909501240	FLANGE HD HEX. BOLT	BOULON HEXAGONAL A TETE BRIDEE	2	\$2.59
125	7909501250	CLAMP	ATTACHE FIL	1	\$1.67
126	7909501260	MAGNETO W/CDI MODULE (2 WIRES)	MAGNETO AVEC MODULE CDI (2 FILS)	1	\$22.94
126-2	7909501262	MAGNETO (4 WIRES)	MAGNETO (4 FILS)	1	\$12.59
131	7909501310	DC CABLES	CABLES CC	1	\$17.19
132	7909501320	O-RING	JOINT TORIQUE	2	\$1.78
133	7909501330	FLANGE HD HEX. SCREW	BOULON HEXAGONAL A TETE BRIDEE	1	\$2.13
134	7909501340	FUEL TANK	RESERVOIR D'ESSENCE	1	\$45.94
135	7909501350	CDI MODULE	MODULE CDI	1	\$16.04
555-4	7909505554	HARDWARE BAG	SAC DE QUINCAILLERIE	1	\$17.19
555-5	7909505555	TOOL BAG	SAC D'OUTILS	1	\$18.34
	790950MBIL	BILINGUAL MANUAL KCG-950G	MANUEL BILINGUE KCG-905G	1	\$15.00