

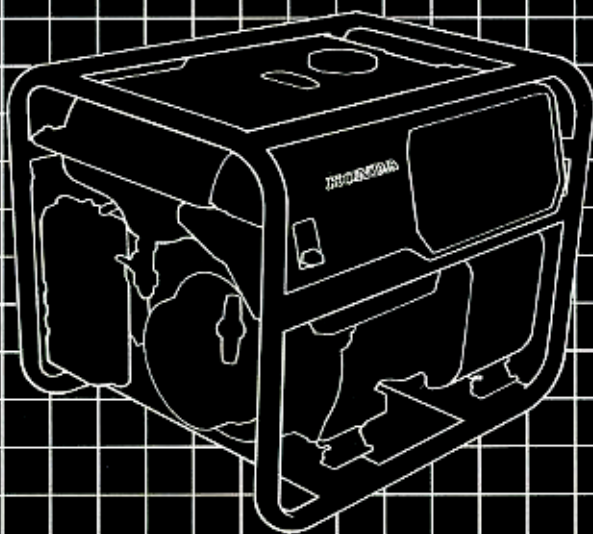
HONDA

Power

Equipment

Owner's Manual

EB2500X



⚠ WARNING The generator is a potential source of electrical shock if misused. Do not expose the generator to moisture, rain or snow. Do not let the generator get wet, and do not operate it with wet hands.


Thank you for purchasing a Honda generator. We want to help you get the best results from your new generator and to operate it safely. This manual contains the information on how to do that; please read it carefully.

This owner's manual describes the operation and maintenance of the EB2500X Honda Generator. All information in this publication is based on the latest product information available at the time of printing. Honda Motor Co., Ltd. reserves the right to make changes at any time without notice and without incurring any obligation. No part of this publication may be reproduced without written permission.

This manual should be considered a permanent part of the generator and should remain with it if it is resold.

Safety Messages

Your safety and the safety of others is very important. We have provided important safety messages in this manual and on the generator. Please read these messages carefully.

A safety message alerts you to potential hazards that could hurt you or others. Each safety message is preceded by a safety alert symbol  and one of three words: DANGER, WARNING, or CAUTION.

These mean

 DANGER You WILL be KILLED or SERIOUSLY HURT if you don't follow instructions.

 WARNING You CAN be KILLED or SERIOUSLY HURT if you don't follow instructions.

 CAUTION You CAN be HURT if you don't follow instructions.

Each message tells you what the hazard is, what can happen, and what you can do to avoid or reduce injury.

Damage Prevention Messages

You will also see other important messages that are preceded by the word NOTICE.

This word means:

NOTICE Your generator or other property could be damaged if you don't follow instructions.

The purpose of these messages is to help prevent damage to your generator, other property, or the environment.

CONTENTS

SAFETY	4
Safety Label Locations	4
Safety Information	6
COMPONENT IDENTIFICATION	8
CONTROLS	10
Engine Switch	10
Recoil Starter	10
Fuel Valve	11
Choke Lever	11
Circuit Breaker	12
Ground Terminal	12
Oil Alert System	12
Ground Fault Circuit Interrupter (GFCI)	14
GENERATOR USE	17
Connections to a Building's Electrical System	17
Generator Ground Circuit	17
AC Applications	18
AC Operation	19
High Altitude Operation	20
PREOPERATION CHECK	21
Engine Oil	21
Fuel Recommendation	22
STARTING/STOPPING THE ENGINE	24

MAINTENANCE	25
Maintenance Schedule	25
Tool Kit	26
Engine Oil Change	27
Air Cleaner Service	28
Fuel Sediment Cup	29
Spark Plug	30
Spark Arrester Maintenance	32
TRANSPORTING/STORAGE	34
TROUBLESHOOTING	36
WIRING DIAGRAM	38
SPECIFICATIONS	39
WARRANTY SERVICE	40
INDEX	41

SAFETY

SAFETY LABEL LOCATION

These labels warn you of potential hazards that can cause serious injury. Read them carefully.

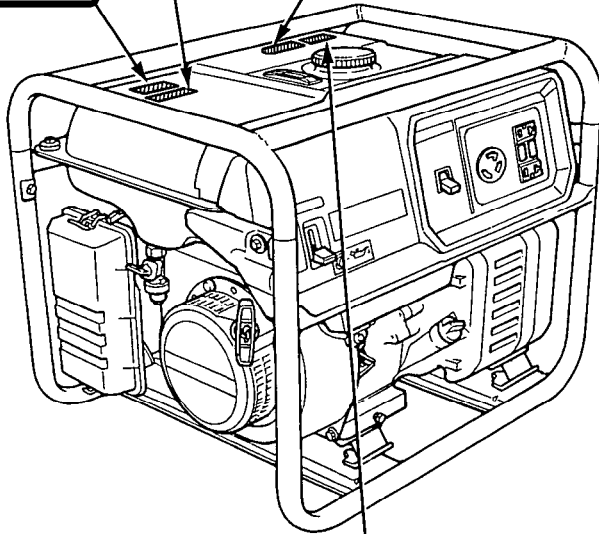
If a label comes off or becomes hard to read, contact your Honda Generator dealer for a replacement.

WARNING
USING THE GENERATOR IN RAIN, SNOW OR NEAR WATER CAN LEAD TO DEATH FROM ELECTRIC SHOCK. KEEP GENERATOR DRY.

WARNING
ELECTROCUTION OR PROPERTY DAMAGE CAN OCCUR. DO NOT CONNECT THIS GENERATOR TO ANY BUILDING'S ELECTRICAL SYSTEM UNLESS AN ISOLATION SWITCH HAS BEEN INSTALLED BY A LICENSED ELECTRICIAN. READ OWNER'S MANUAL CAREFULLY.



■ CHECK FOR SPILLED FUEL OR FUEL LEAKS. STOP ENGINE BEFORE REFUELING.
■ CONTRÔLER QU'IL N'Y A NI FUITE NI ESSENCE RÉPANDUE SUR L'APPAREIL. ARRÊTER LE MOTEUR AVANT DE REFAIRE LE PLEIN.
■ INSPECCIONAR PARA COMBUSTIBLE DERRAMADO O ESCAPE. PARAR MOTOR ANTES DE ECHAR.



WARNING DO NOT USE INDOORS. EXHAUST GAS CONTAINS POISONOUS CARBON MONOXIDE.

ATTENTION NE PAS UTILISER DANS UN ENDROIT FERME A CAUSE DU RISQUE D'EMPOISONNEMENT DU GAZ.

ATENCION NO LO USE EN LUGARES CERRADOS PORQUE EL MONOXIDE DE CARBONO ES VENENOSO.

EB2500X

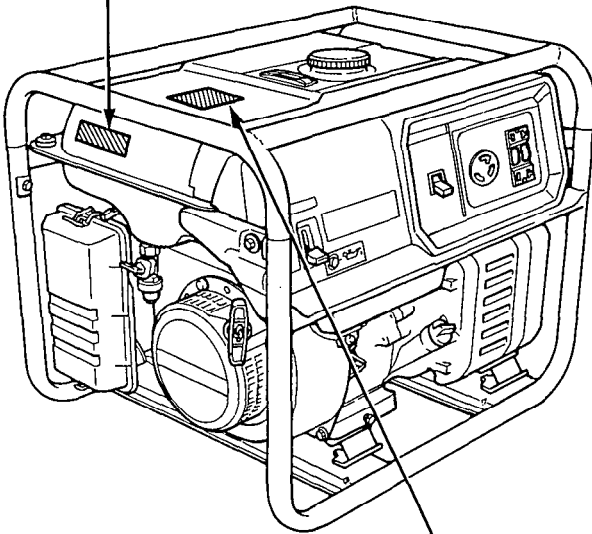
HONDA MOTOR CO.,LTD. MADE IN JAPAN Ⓐ

CAUTION

■ BE SURE TO FILL CRANKCASE WITH RECOMMENDED OIL BEFORE USING. FOR DETAILED EXPLANATION, SEE THE OWNER'S MANUAL.

AC

VOLTAGE	120V
FREQUENCY	60Hz
RATED OUTPUT	2.3kVA
MAX.OUTPUT	2.5kVA
PHASE	1 ϕ
FUEL GASOLINE (PETROL)	



OCCUPANT'S TEST RECORD

SAFETY INFORMATION

Honda generators are designed to give safe and dependable service if operated according to instructions. Read and understand this owner's manual before operating your generator. You can help prevent accidents by being familiar with your generator's controls, and by observing safe operating procedures

Operator Responsibility

- Know how to stop the generator quickly in case of emergency.
- Understand the use of all generator controls, output receptacles, and connections.
- Be sure that anyone who operates the generator receives proper instruction. Do not let children operate the generator without parental supervision.

Carbon Monoxide Hazards

- Exhaust contains poisonous carbon monoxide, a colorless and odorless gas. Breathing exhaust can cause loss of consciousness and may lead to death.
- If you run the generator in an area that is confined, or even partially enclosed, the air you breathe could contain a dangerous amount of exhaust gas. To keep exhaust gas from building up, provide adequate ventilation.

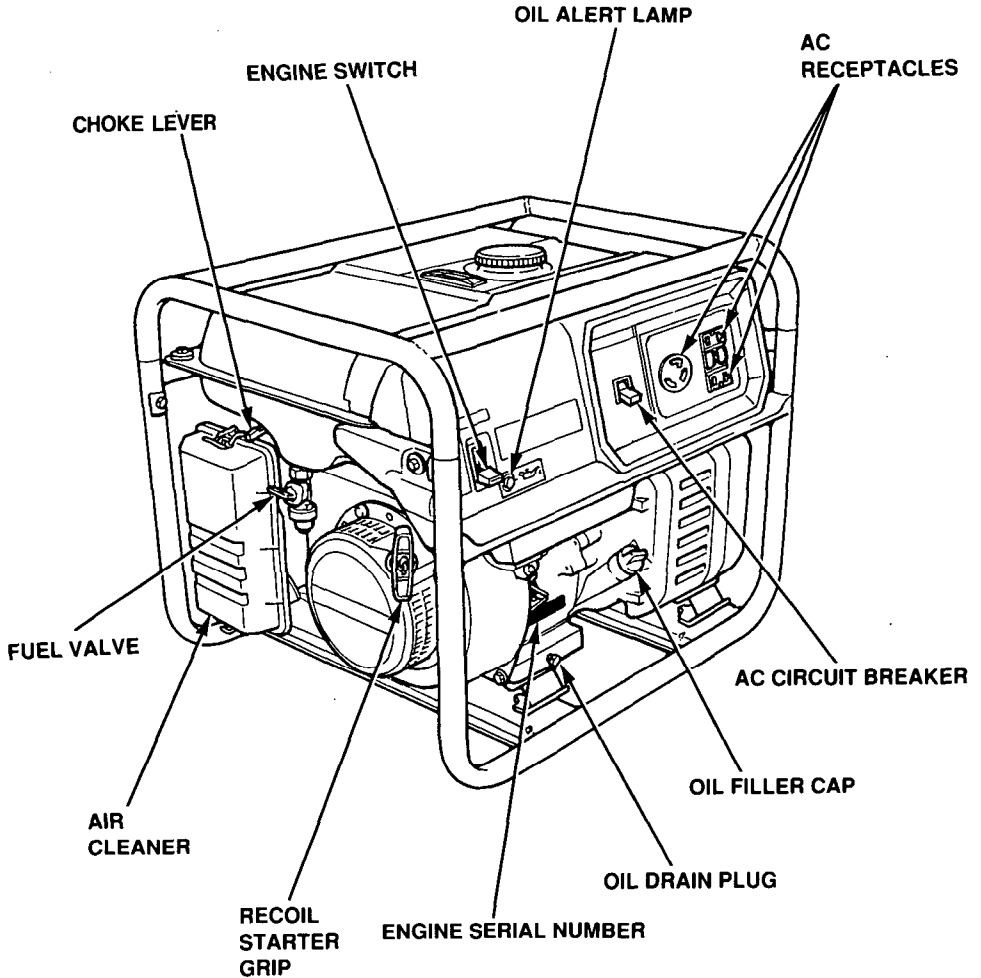
Electric Shock Hazards

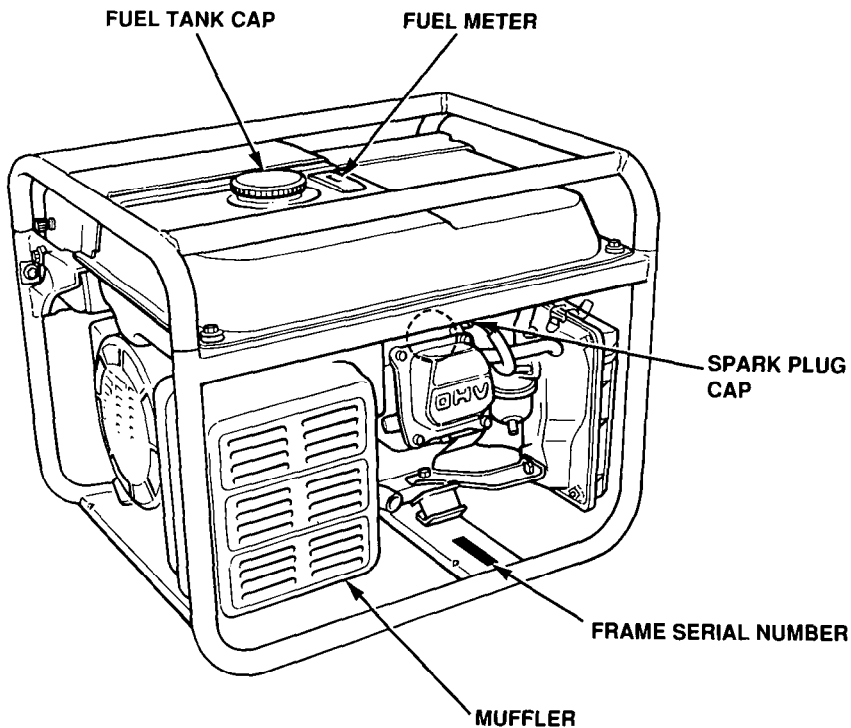
- The generator produces enough electric power to cause a serious shock or electrocution if misused.
- Using a generator or electrical appliance in wet conditions, such as rain or snow, or near a pool or sprinkler system, or when your hands are wet, could result in electrocution. Keep the generator dry.
- If the generator is stored outdoors, unprotected from the weather, check the Ground Fault Circuit Interrupter (GFCI) receptacle, and all other electrical components on the control panel, before each use. Moisture or ice can cause a malfunction or short circuit in electrical components which could result in electrocution.
- Do not connect to a building's electrical system unless an isolation switch has been installed by a qualified electrician.

Fire and Burn Hazards

- The exhaust system gets hot enough to ignite some materials.
 - Keep the generator at least 1 meter (3 feet) away from buildings and other equipment during operation.
 - Do not enclose the generator in any structure.
 - Keep flammable materials away from the generator.
- The muffler becomes very hot during operation and remains hot for a while after stopping the engine. Be careful not to touch the muffler while it is hot. Let the engine cool before storing the generator indoors.
- Gasoline is extremely flammable and is explosive under certain conditions. Do not smoke or allow flames or sparks where the generator is refueled or where gasoline is stored. Refuel in a well-ventilated area with the engine stopped.
- Fuel vapors are extremely flammable and may ignite after the engine has started. Make sure that any spilled fuel has been wiped up before starting the generator.

COMPONENT IDENTIFICATION





Record the engine and frame serial numbers for your future reference. Refer to these serial numbers when ordering parts, and when making technical or warranty inquiries (see page40)

Frame serial number: _____
Engine serial number: _____

CONTROLS

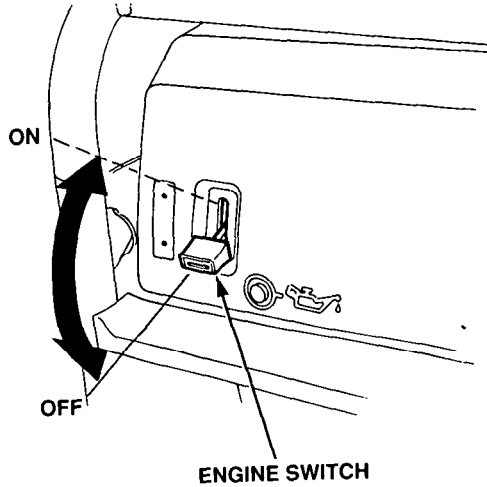
Engine Switch

To start and stop the engine.

Switch position:

OFF: To stop the engine.

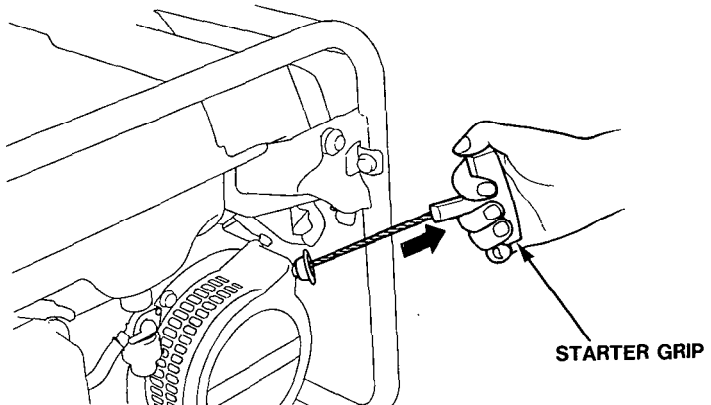
ON: To run the engine.



Recoil Starter

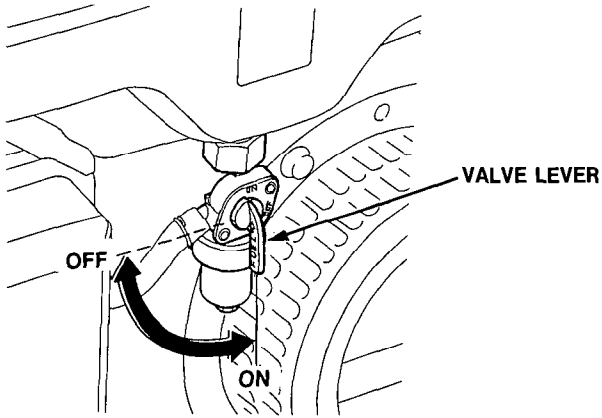
To start the engine, pull the starter grip lightly until resistance is felt, then pull briskly.

NOTICE Do not allow the starter to snap back against the engine. Return it gently to prevent damage to the starter.



Fuel Valve

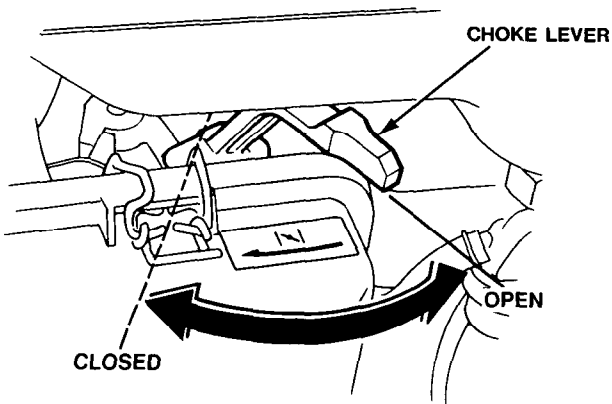
The fuel valve is located between the fuel tank and carburetor. When the valve lever is in the ON position, fuel is allowed to flow from the fuel tank to the carburetor. Be sure to return the lever to OFF after stopping the engine.



Choke Lever

The choke is used to provide an enriched fuel mixture when starting a cold engine.

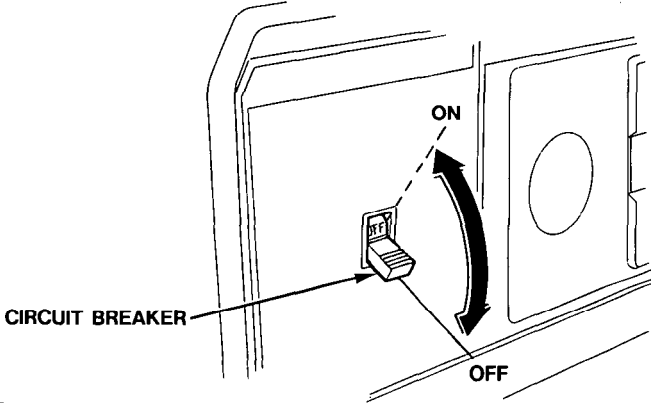
It can be opened and closed by operating the choke lever manually. Move the lever to the CLOSE position to enrich the mixture.



Circuit Breaker

The circuit breaker will automatically switch OFF if there is a short circuit or a significant overload of the generator at the receptacle. If the circuit breaker is switched OFF automatically, check that the appliance is working properly and does not exceed the rated load capacity of the circuit before switching the circuit breaker ON again.

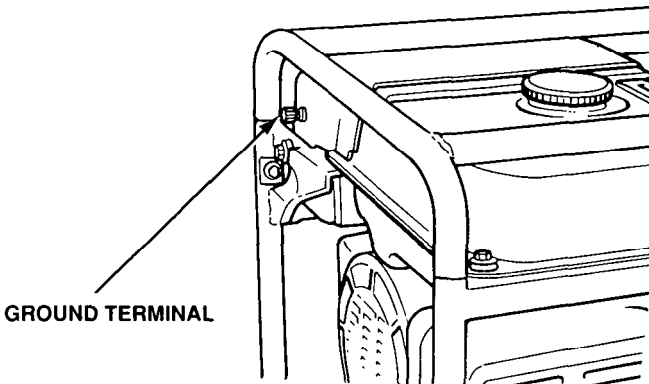
The circuit breaker may be used to switch the generator power ON or OFF.



Ground Terminal

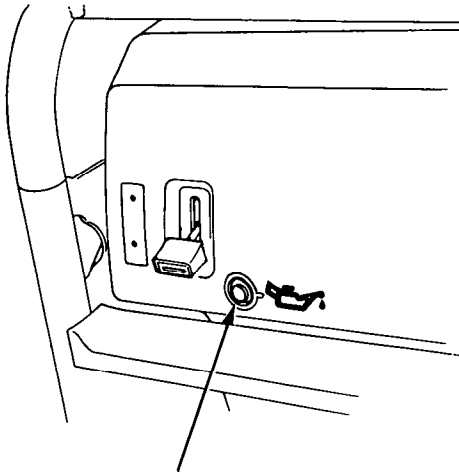
The generator ground terminal is connected to the frame of the generator, the metal non-current carrying parts of the generator, and the ground terminals of each receptacle.

Before using the ground terminal, consult a qualified electrician, electrical inspector or local agency having jurisdiction for local codes or ordinances that apply to the intended use of the generator.



Oil Alert System

The Oil Alert system is designed to prevent engine damage caused by an insufficient amount of oil in the crankcase. Before the oil level in the crankcase can fall below a safe limit, the Oil Alert system will automatically shut down the engine (the engine switch will remain in the ON position). If the Oil Alert system shuts down the engine, the Oil Alert lamp will flash when you operate the starter, and the engine will not start. If this occurs, add engine oil (p.21).



OIL ALERT LAMP

Ground Fault Circuit Interrupter (GFCI) Receptacle

⚠ WARNING Using the generator in rain, snow or near water can lead to death from electric shock. Keep the generator dry.

All of the 20 ampere 120 volt receptacles on the generator are protected by a Ground Fault Circuit Interrupter (GFCI) for protection against the hazards of ground fault currents. Examples of ground fault current is the current which would flow through a person who is using an appliance with faulty insulation and, at the same time, is in contact with an electrical ground such as a plumbing fixture, wet floor, or earth.

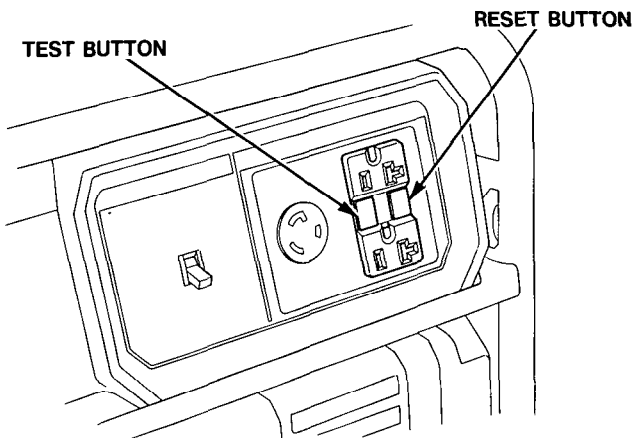
The ground fault circuit interrupter will not protect against short circuits or overloads. The circuit breaker in the control panel which supplies power to the circuit provides that protection (refer to circuit breaker on page 12).

The ground fault circuit interrupter can be identified by the TEST and RESET buttons. The receptacles on the GFCI are all tested with the TEST and RESET buttons.

TEST BUTTON: To test, depress the "TEST" button (see page 15).

RESET BUTTON: To restore power, depress the "RESET" button (see page 16).

Perform this test monthly to ensure proper operation of the GFCI. If the generator is stored outdoors, unprotected from the weather, test the GFCI receptacle before each use. Record your test on the GFCI test card provided on the fuel tank.



INSPECTION

Perform the tests below to ensure proper operation of the GFCI.
Record your test on the GFCI test card provided on the generator.

Before each use:

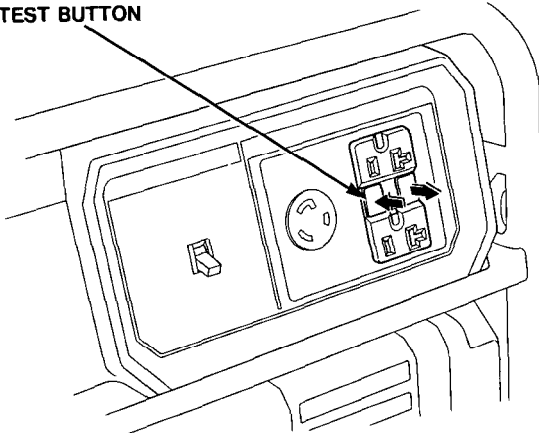
If the generator is stored outdoors, unprotected from the weather, test the GFCI receptacle before each use as described in the monthly inspection.

Monthly:

Under normal operating conditions, perform the GFCI test monthly.

1. Unplug all appliances from the generator.
2. Start the engine.
3. Turn the circuit breaker ON.
4. Press the TEST BUTTON
 - The RESET BUTTON should extend with a click.
 - If the REST BUTTON does not extend, contact an authorized Honda generator dealer.

TEST BUTTON



5. Press the RESET BUTTON

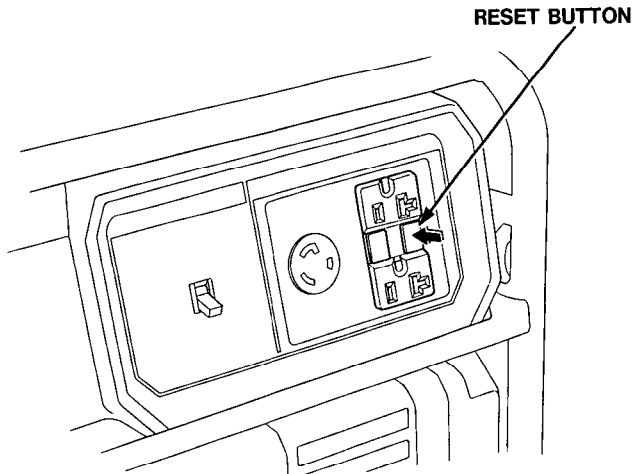
- The RESET BUTTON should be flush with the test button.
- If the RESET BUTTON is not flush with the TEST BUTTON, contact an authorized Honda generator dealer.

6. When the RESET BUTTON extends during operation:

- Unplug all appliances from the GFCI protected receptacle.
- Press the RESET BUTTON:

IF THE GFCI CANNOT BE RESET: The GFCI is faulty. Contact an authorized Honda generator dealer.

IF THE GFCI RESETS PROPERLY: Check the appliance or the power cord.



Connections to a Building's Electrical System

Connections for standby power to a building's electrical system must be made by a qualified electrician. The connection must isolate the generator power from utility power, and must comply with all applicable laws and electrical codes.

⚠ WARNING Improper connections to a building's electrical system can allow electrical current from the generator to backfeed into the utility lines. Such backfeed may electrocute utility company workers or others who contact the lines during a power outage. Consult the utility company or a qualified electrician.

⚠ CAUTION Improper connections to a building's electrical system can allow electrical current from the utility company to backfeed into the generator. When utility power is restored, the generator may explode, burn, or cause fires in the building's electrical system.

Ground System

Honda portable generators have a system ground that connects generator frame components to the ground terminals in the AC output receptacles. The system ground is not connected to the AC neutral wire. If the generator is tested by a receptacle tester, it will not show the same ground circuit condition as for a home receptacle.

Special Requirements

There may be Federal or State Occupational Safety and Health Administration (OSHA) regulations, local codes, or ordinances that apply to the intended use of the generator. Please consult a qualified electrician, electrical inspector, or the local agency having jurisdiction.

- In some areas, generators are required to be registered with local utility companies.
- If the generator is used at a construction site, there may be additional regulations which must be observed.

AC Applications

Before connecting an appliance or power cord to the generator:

- Make sure that it is in good working order. Faulty appliances or power cords can create a potential for electrical shock.
- If an appliance begins to operate abnormally, becomes sluggish or stops suddenly, turn it off immediately. Disconnect the appliance, and determine whether the problem is the appliance, or if the rated load capacity of the generator has been exceeded.
- Make sure that the electrical rating of the tool or appliance does not exceed that of the generator. Never exceed the maximum power rating of the generator. Power levels between rated and maximum may be used for no more than 30 minutes.

NOTICE Substantial overloading will open the circuit breaker. Exceeding the time limit for maximum power operation or slightly overloading the generator may not switch the circuit breaker OFF, but will shorten the service life of the generator.

Limit operation requiring maximum power to 30 minutes.

Maximum power is:

2.5KVA

For continuous operation, do not exceed the rated power.

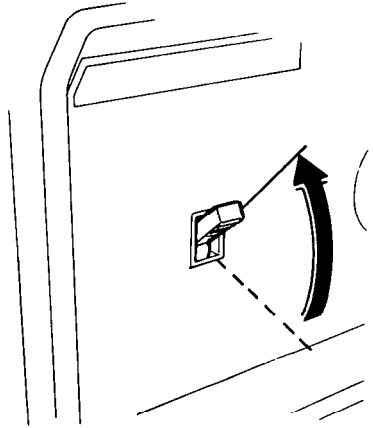
Rated power is:

2.3KVA

In either case, the total power requirements (VA) of all appliances connected must be considered. Appliance and power tool manufacturers usually list rating information near the model number or serial number.

AC Operation

1. Start the engine (refer to page 24).
2. Switch ON the AC circuit breaker.
3. Plug in the appliance.
Most motorized appliances require more than their rated wattage for startup.



Do not exceed the current limit specified for any one receptacle. If an overloaded circuit causes the AC circuit breaker or circuit protector to switch OFF, reduce the electrical load on the circuit, wait a few minutes and then reset the circuit breaker.

High Altitude Operation

At high altitude, the standard carburetor air-fuel mixture will be excessively rich. Performance will decrease, and fuel consumption will increase.

High altitude performance can be improved by installing a smaller diameter main fuel jet in the carburetor and readjusting the pilot screw. If you always operate the engine at altitudes higher than 6,000 feet above sea level, have an authorized Honda generator dealer perform this carburetor modification.

Even with suitable carburetor jetting, engine horsepower will decrease approximately 3.5% for each 1,000 foot increase in altitude. The effect of altitude on horsepower will be greater than this if no carburetor modification is made.

NOTICE If a generator jetted for high altitude is used at a lower altitude the lean air fuel mixture will reduce performance and may over-heat and seriously damage the engine.

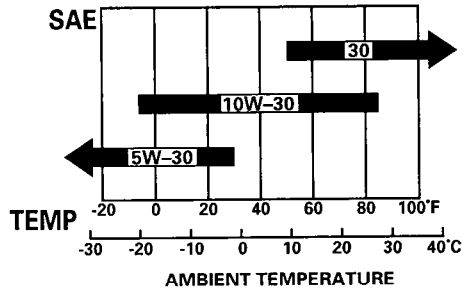
PRE-OPERATION CHECK

Engine oil

NOTICE Engine oil is a major factor affecting engine performance and service life. Non-detergent and 2-stroke engine oils will damage the engine and are not recommended.

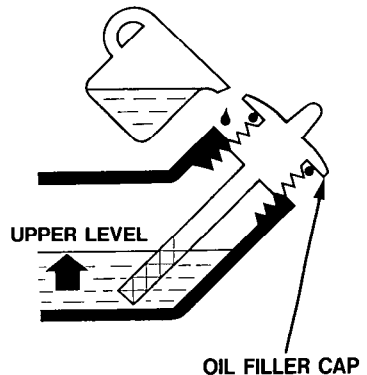
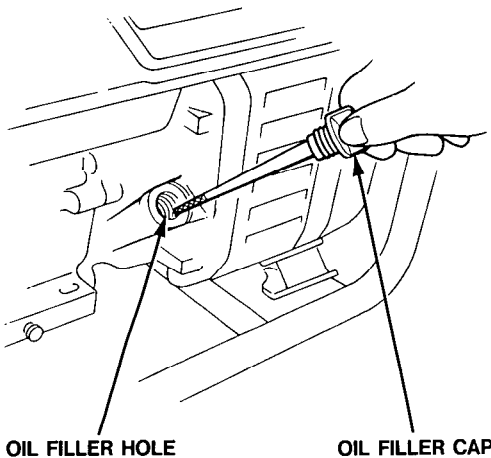
Check the oil level BEFORE EACH USE with the generator on a level surface with the engine stopped.

Use Honda 4-stroke oil, or an equivalent high detergent, premium quality motor oil certified to meet or exceed U.S. automobile manufacturer's requirements for Service Classification SG, SF/CC, CD. Motor oils classified SG, SF/CC, CD will show this designation on the container.



SAE 10W-30 is recommended for general, all-temperature use. Other viscosities shown in the chart may be used when the average temperature in your area is within the indicated range.

1. Remove the oil filler cap and wipe the dipstick clean.
2. Check the oil level by inserting the dipstick into the filler neck without screwing it in.
3. If the level is low, add the recommended oil to the upper mark on the dipstick.



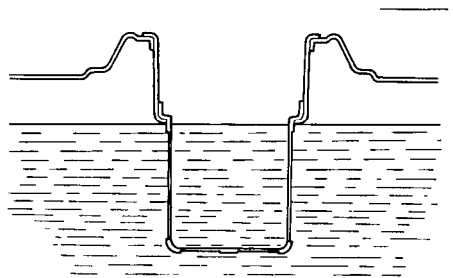
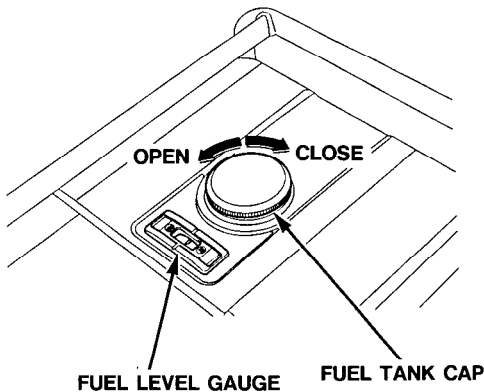
Fuel Recommendation

1. Check the fuel level gauge.
2. Refill the tank if the fuel level is low. Do not fill above the shoulder of the fuel strainer.

⚠ WARNING

- Gasoline is extremely flammable and is explosive under certain conditions.
- Refuel in a well-ventilated area with the engine stopped. Do not smoke or allow flames or sparks in the area where the engine is refueled or where gasoline is stored.
- Do not overfill the fuel tank (there should be no fuel in the filler neck). After refueling, make sure the tank cap is closed properly and securely. Be careful not to spill fuel when refueling. Spilled fuel or fuel vapor may ignite. If any fuel is spilled, make sure the area is dry before starting the engine.
- Avoid repeated or prolonged contact with skin or breathing of vapor.
- **KEEP OUT OF REACH OF CHILDREN.**

Fuel tank capacity: 11.0 ℓ (2.9 US gal, 2.4 Imp gal)



Use gasoline with a pump octane rating of 86 or higher

We recommend unleaded gasoline because it produces fewer engine and spark plug deposits and extends exhaust system life.

Never use stale or contaminated gasoline or oil/gasoline mixture. Avoid getting dirt or water in the fuel tank.

Occasionally you may hear light “spark knock” or “pinging” (metallic rapping noise) while operating under heavy loads. This is no cause for concern.

If spark knock or pinging occurs at a steady engine speed, under normal load, change brands of gasoline. If spark knock or pinging persists, see an authorized Honda generator dealer.

NOTICE Running the engine with persistent spark knock or pinging can cause engine damage.

Running the engine with persistent spark knock or pinging is misuse, and the Distributor's Limited Warranty does not cover parts damaged by misuse.

Oxygenated Fuels

Some gasolines are being blended with alcohol or an ether compound to increase the octane. These gasolines are collectively referred to as oxygenated fuels. Some areas of the United States use oxygenated fuels to help meet clean air standards.

If you use an oxygenated fuel, be sure its pump octane rating is 86 or higher.

Ethanol (ethyl or grain alcohol)

Gasoline containing more than 10% ethanol by volume may cause starting and/or performance problems. Gasoline containing ethanol may be marketed under the name “Gasohol”.

Methanol (methyl or wood alcohol)

Gasoline containing methanol must contain cosolvents and corrosion inhibitors to protect the fuel system. Gasoline containing more than 5% methanol by volume may cause starting and/or performance problems and may damage metal, rubber and plastic parts of your fuel system.

MTBE (methyl tertiary butyl ether)

You may use gasoline containing up to 15% MTBE by volume.

Before using an oxygenated fuel, try to confirm the fuel's contents. Some states (provinces in Canada) require this information to be posted on the pump. If you notice any undesirable operating symptoms, switch to a conventional unleaded gasoline. Fuel system damage or performance problems resulting from the use of an oxygenated fuel are not the responsibility of Honda and are not covered under warranty.

NOTICE Oxygenated fuels can damage paint and plastic. Be careful not to spill fuel when filling your fuel tank. Damage caused by spilled fuel is not covered under warranty.

STARTING/STOPPING THE ENGINE

Starting the engine

1. Make sure that the AC circuit breaker is in the OFF position.
The generator may be hard to start if a load is connected.
2. Turn the fuel valve to the ON position.
3. Turn the choke lever to the CLOSE position.
4. Turn the engine switch to the ON position.
5. Pull the starter grip until compression is felt, then pull briskly.

NOTICE Do not allow the starter grip to snap back. Return it slowly by hand.

6. Turn the choke lever to the OPEN position as the engine warms up.

Stopping the engine

In an emergency:

1. To stop the engine in an emergency, move the engine switch to the OFF position.

In normal use:

1. Turn the AC circuit breaker to the OFF position.
2. Move the engine switch to the OFF position.
3. Turn the fuel valve to the OFF position.

Periodic maintenance and adjustment is necessary to keep the generator in good operating condition. Perform the service and inspection at the intervals shown in the Maintenance schedule below.

⚠ WARNING Exhaust gas contains poisonous carbon monoxide. Shut off the engine before performing any maintenance. If the engine must be run, make sure the area is well ventilated.

NOTICE Use only genuine HONDA parts or their equivalent for maintenance or repair. Replacement parts which are not of equivalent quality may damage the generator.

MAINTENANCE SCHEDULE

REGULAR SERVICE PERIOD Performed at every indicated month or operating hour interval, whichever comes first.		Each use	First month or 20 Hrs. (3)	Every 3 months or 50 Hrs. (3)	Every 6 months or 100 Hrs. (3)	Every year or 300 Hrs. (3)	
ITEM							
Engine oil	Check level	o					
	Change		o		o		
Air cleaner	Check	o					
	Clean			o (1)			
GFCI receptacle	Check	o (4)	o (5)				
Sediment Cup	Clean				o		
Spark plug	Check-Clean				o		
Spark Arrester	Clean				o		
Valve clearance	Check-Adjust					o (2)	
Fuel tank and strainer	Clean					o (2)	
Fuel line	Check (Replace if necessary)					Every 2 years (2)	

- (1) Service more frequently when used in dusty areas.
- (2) These items should be serviced by an authorized Honda generator dealer, unless the owner has the proper tools and is mechanically proficient. See the Honda Shop Manual.
- (3) For professional commercial use, log hours of operation to determine proper maintenance intervals.
- (4) Check the GFCI before each use if the generator is stored outside unprotected; otherwise, test the GFCI monthly and record the test results on the control panel card.
- (5) Once each month.

Tool kit

The tools supplied with the generator will help you to perform the owner maintenance procedures listed on the following page. Always keep this tool kit with the generator.



10 × 12 mm WRENCH



SCREW DRIVER



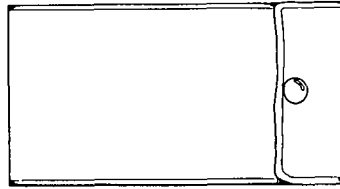
PLUG WRENCH



DRIVER HANDLE



HANDLE BAR



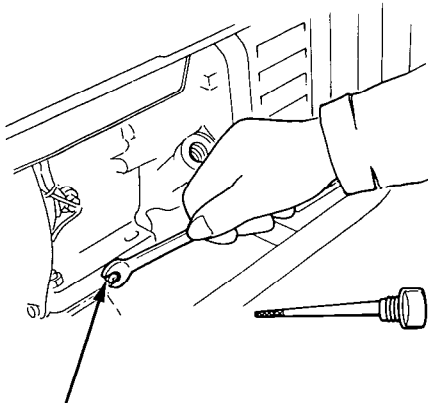
TOOL BAG

Engine oil change

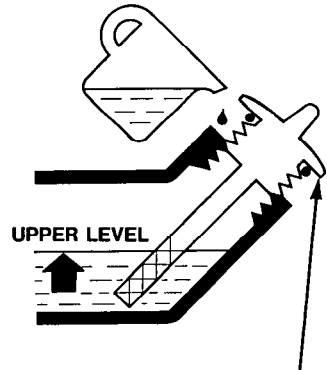
Drain the oil while the engine is warm to assure complete and rapid draining.

1. Remove the drain plug and sealing washer, oil filler cap, and drain the oil.
2. Reinstall the drain plug and sealing washer. Tighten the plug securely.
3. Refill with the recommended oil (see page 21) and check the oil level.

Oil capacity: 0.6 l (0.63 US qt, 0.52 Imp qt)



OIL DRAIN PLUG



OIL FILLER CAP

⚠ CAUTION Used motor oil may cause skin cancer if repeatedly left in contact with the skin for prolonged periods. Although this is unlikely unless you handle used oil on a daily basis, it is still advisable to thoroughly wash your hands with soap and water as soon as possible after handling used oil.

Please dispose of used motor oil in a manner that is compatible with the environment. We suggest you take it in a sealed container to your local service station or recycling center for reclamation. Do not throw it in the trash or pour it on the ground.

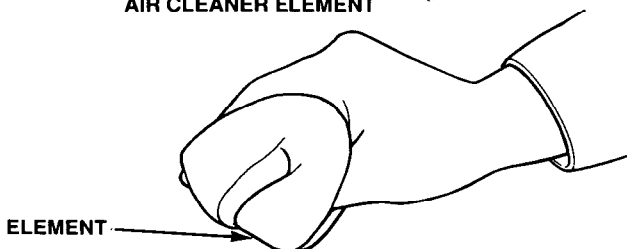
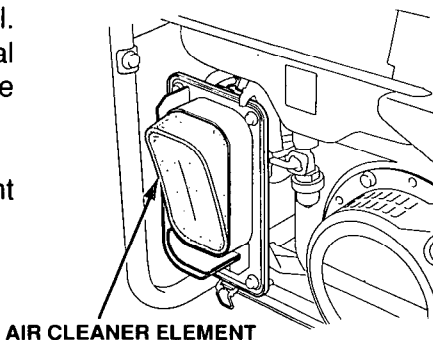
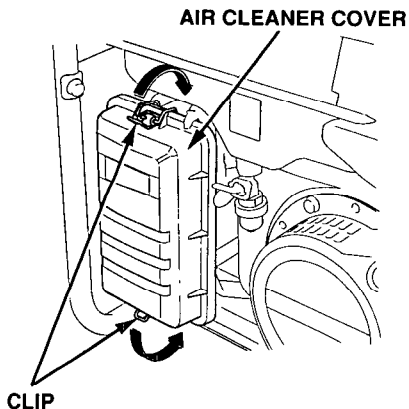
Air cleaner service

A dirty air cleaner will restrict air flow to the carburetor. To prevent carburetor malfunction, service the air cleaner regularly. Service more frequently when operating the generator in extremely dusty areas.

⚠ WARNING Using gasoline or flammable solvent to clean the filter element can cause a fire or explosion. Use only soapy water or nonflammable solvent.

NOTICE Never run the generator without the air cleaner. Rapid engine wear will result.

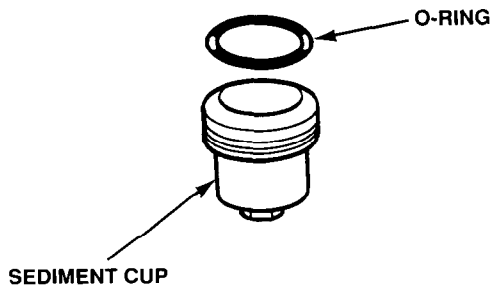
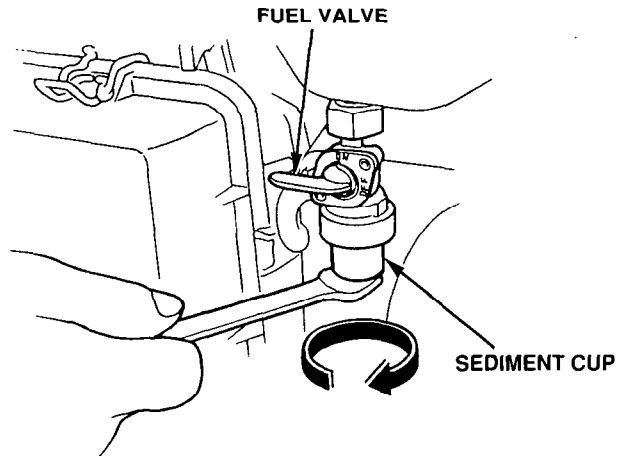
1. Unsnap the air cleaner cover clips, remove the air cleaner cover, and remove the element.
2. Wash the element in a solution of household detergent and warm water, then rinse thoroughly ; or wash in nonflammable or high flash point solvent. Allow the element to dry thoroughly.
3. Soak the element in clean engine oil and squeeze out the excess oil. The engine will smoke during initial start-up if too much oil is left in the element.
4. Reinstall the air cleaner element and the cover.



Fuel Sediment Cup Cleaning

The sediment cup prevents dirt or water which may be in the fuel tank from entering the carburetor. If the engine has not been run for a long time, the sediment cup should be cleaned.

1. Turn the fuel valve to the OFF position. Remove the sediment cup, and O-ring.
2. Clean the sediment cup, and O-ring, in nonflammable or high flash point solvent.
3. Reinstall O-ring, and sediment cup.
4. Turn the fuel valve ON and check for leaks.



-
7. Check that the spark plug washer is in good condition, and thread the spark plug in by hand to prevent cross-threading.
 8. After the spark plug is seated, tighten with a spark plug wrench to compress the washer.
 - If installing a new spark plug, tighten 1/2 turn after the spark plug seats to compress the washer. If reinstalling a used spark plug, tighten 1/8 - 1/4 turn after the spark plug seats to compress the washer.

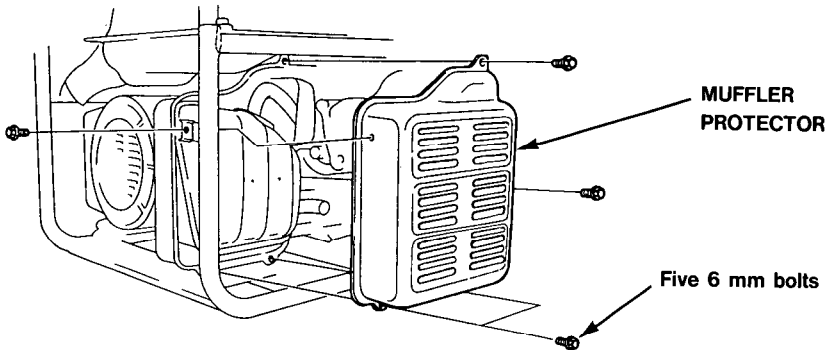
NOTICE The spark plug must be securely tightened. An improperly tightened spark plug can become very hot and could damage the engine.
Never use spark plugs which have an improper heat range. Use only the recommended spark plugs or equivalent.

Spark Arrester Maintenance

If the generator has been running, the muffler will be very hot. Allow it to cool before proceeding.

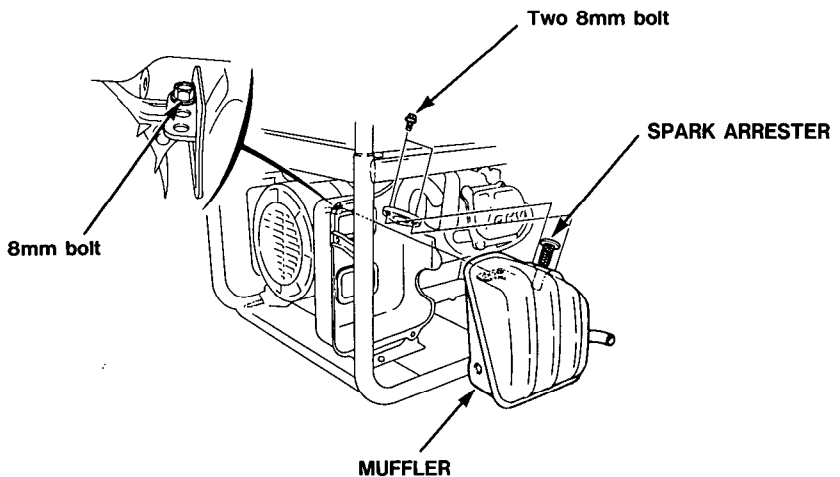
NOTICE The spark arrester must be serviced every 100 hours to maintain its efficiency.

1. Loosen the five 6 mm bolts to remove the muffler protector.

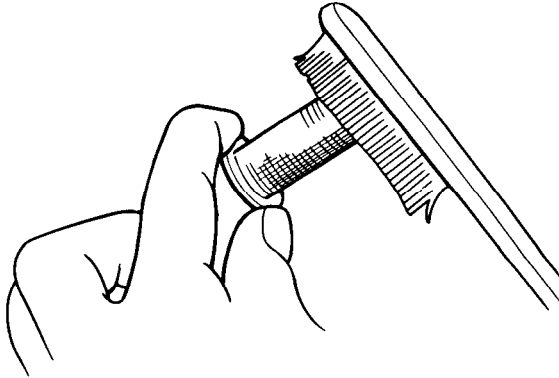


2. Remove the two 8 mm bolts at the exhaust pipe and the 8 mm bolt at the muffler stay.

Remove the muffler and the spark arrester.



-
3. Use a brush to remove carbon deposits from the spark arrester screen. Inspect the spark arrester screen for holes or tears. Replace if necessary.



4. Check the exhaust pipe gasket and replace if damaged. Reinstall the muffler and the protector.

TRANSPORTING/STORAGE

When transporting the generator, turn the engine switch and the fuel valve OFF. Keep the generator level to prevent fuel spillage. Fuel vapor or spilled fuel may ignite.

A WARNING Contact with a hot engine or exhaust system can cause serious burns or fires. Let the engine cool before transporting or storing the generator.

Take care not to drop or strike the generator when transporting. Do not place heavy objects on the generator.

Before storing the unit for an extended period:

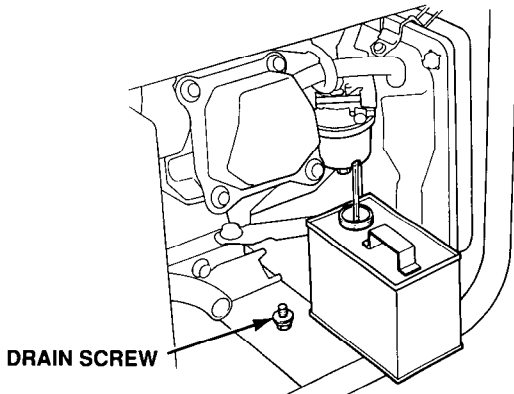
1. Be sure the storage area is free of excessive humidity and dust.
2. Service according to the table below:

STORAGE TIME	RECOMMENDED SERVICE PROCEDURE TO PREVENT HARD STARTING
Less than 1 month	No preparation required
1 to 2 months	Fill with fresh gasoline and add gasoline conditioner*.
2 months to 1 year	Fill with fresh gasoline and add gasoline conditioner*. Drain the carburetor float bowl (page 35). Drain the fuel sediment cup (page 29).
1 year or more	Fill with fresh gasoline and add gasoline conditioner*. Drain the carburetor float bowl (page 35). Drain the fuel sediment cup (page 29). Remove the spark plug. Put a tablespoon of engine oil into the cylinder. Turn the engine slowly with the pull rope to distribute the oil. Reinstall the spark plug. Change the engine oil (page 27). After removal from storage, drain the stored gasoline into a suitable container, and fill with fresh gasoline before starting.
*Use gasoline conditioners that are formulated to extend storage life. Contact your authorized Honda generator dealer for conditioner recommendations.	

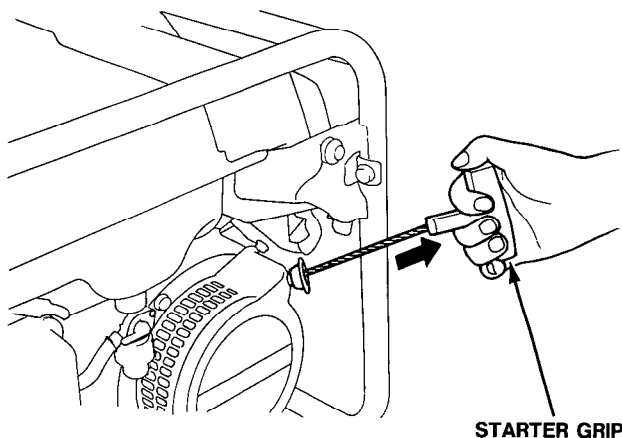
1. Drain the carburetor by loosening the drain screw. Drain the gasoline into a suitable container.

⚠ WARNING

Gasoline is extremely flammable and is explosive under certain conditions. Perform this task in a well ventilated area with the engine stopped. Do not smoke or allow flames or sparks in the area during this procedure.

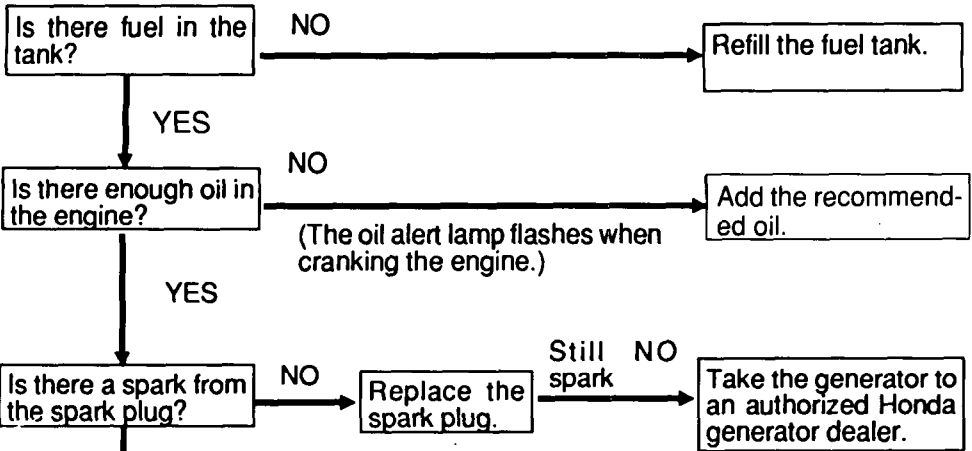


2. Change the engine oil (page 27).
3. Remove the spark plug, and pour about a tablespoon of clean engine oil into the cylinder. Crank the engine several revolutions to distribute the oil, then reinstall the spark plug.
4. Slowly pull the starter grip until resistance is felt. At this point, the piston is coming up on its compression stroke and both the intake and exhaust valves are closed. Storing the engine in this position will help to protect it from internal corrosion.



TROUBLESHOOTING

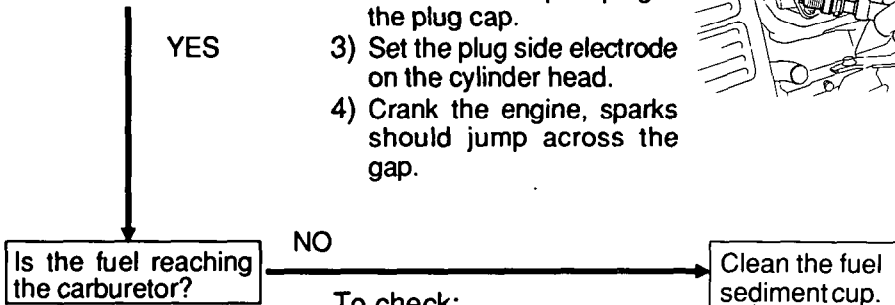
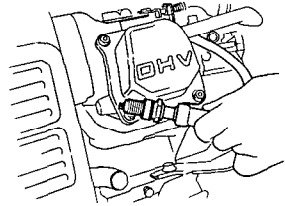
When the engine will not start:



⚠ WARNING Be sure there is no spilled fuel around the spark plug. Spilled fuel may ignite.

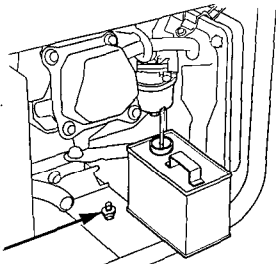
To check:

- 1) Remove the spark plug cap and clean any dirt from around the spark plug.
- 2) Remove the spark plug and install the spark plug in the plug cap.
- 3) Set the plug side electrode on the cylinder head.
- 4) Crank the engine, sparks should jump across the gap.



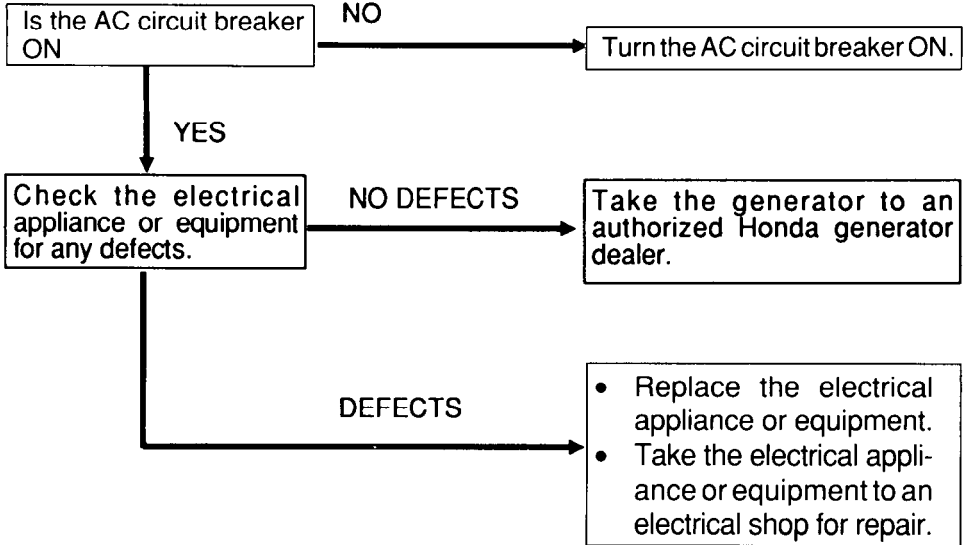
To check:

- 1) Turn off the engine switch and loosen the drain screw.
- 2) Fuel should flow from the drain when the engine switch is turned on.

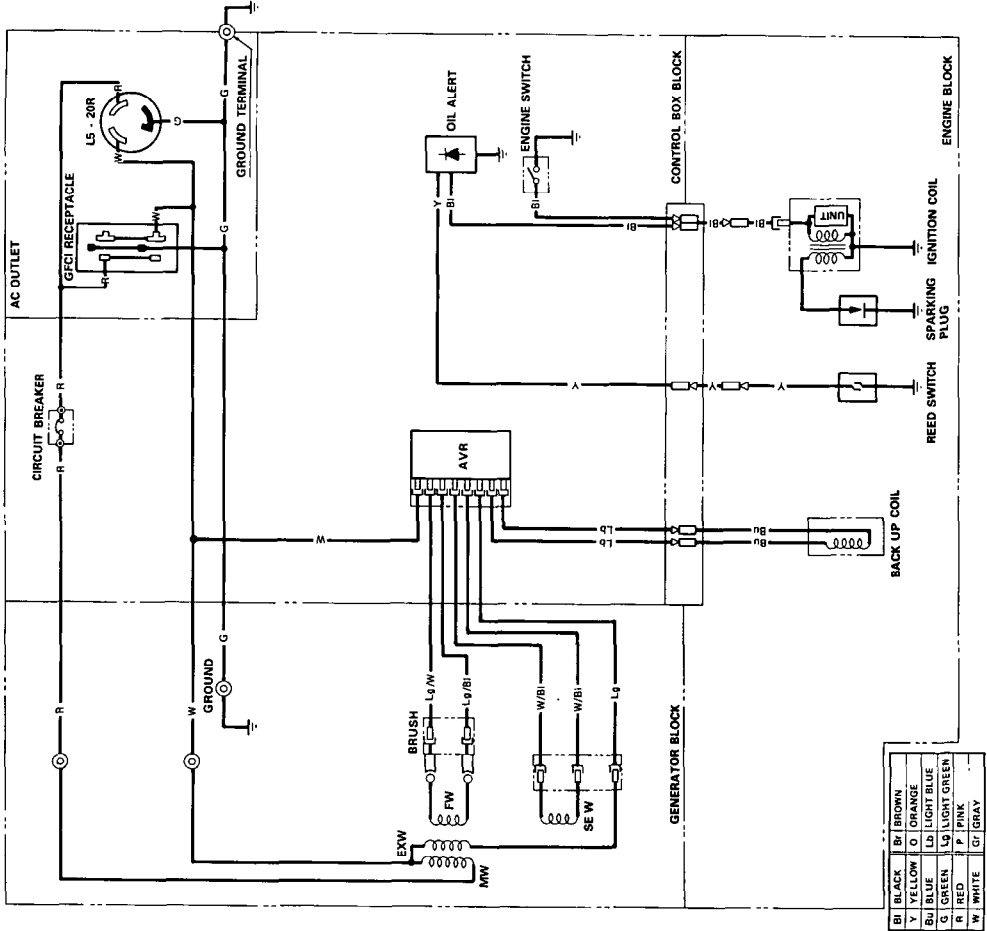


DRAIN SCREW

No electricity at the AC receptacles:



WIRING DIAGRAM



SPECIFICATIONS

Dimensions

Model	EB2500X
Power equipment description code	EZCP
Length x Width x Height	505 x 420 x 420 mm (19.9 x 16.5 x 16.5 in)
Dry weight	44.5kg (91.8lb)

Engine

Model	GX 160 K1
Engine type	4-stroke, overhead valve, single cylinder
Displacement (Bore x Stroke)	163cc (9.9cu in) [68 x 45 mm (2.7in x 1.8in)]
Compression ratio	8.5:1
Engine speed	3,600 r.p.m
Cooling system	Forced air
Ignition system	Transistorized magneto
Oil capacity	0.6 ℓ (0.63US qt, 0.52Imp qt)
Fuel tank capacity	11.0 ℓ (2.9US gal, 2.4Imp gal)
Spark plug	BPR6ES (NGK), W20EPR-U (NIPPONDENSO)

Generator

Model	EB2500X	
Type	AG	
AC output	Rated voltage	120V
	Rated frequency	60HZ
	Rated ampere	19.2A
	Rated output	2,300VA
	Maximum output	2,500VA

NOTE: Specifications are subject to change without notice.

WARRANTY SERVICE

Owner satisfaction

Your satisfaction and goodwill are important to your dealer and to us. All Honda warranty details are explained in the Distributor's Limited Warranty. Normally, any problems concerning the product will be handled by your dealer's service department. If you have a warranty problem that has not been handled to your satisfaction, we suggest you take the following action:

- Discuss your problem with a member of dealership management. Often complaints can be quickly resolved at that level. If the problem has already been reviewed with the Service Manager, contact the owner of the dealership or the General Manager.
- If your problem still has not been resolved to your satisfaction, contact the Power Equipment Customer Service Department of American Honda Motor Co., Inc.

American Honda Motor Co., Inc.
Power Equipment Customer Service
4475 River Green Parkway
Duluth, Georgia 30136-9420
Telephone: (404) 497-6400

We will need the following information in order to assist you:

- Your name, address, and telephone number
- Product model and serial number
- Date of purchase
- Dealer name and address
- Nature of the problem

After reviewing all the facts involved, you will be advised of what action can be taken. Please bear in mind that your problem will likely be resolved at the dealership, using the dealer's facilities, equipment, and personnel, so it is very important that your initial contact be with the dealer.

Your purchase of a Honda product is greatly appreciated by both your dealer and American Honda Motor Co., Inc. We want to assist you in every way possible to assure your satisfaction with your purchase.

COMPONENT IDENTIFICATION.....	8
CONTROLS	10
Choke Lever	11
Circuit Breaker	12
Engine Switch	10
Fuel Valve	11
Ground Fault Circuit Interrupter (GFCI) Receptacle	14
Ground Terminal	12
inspection	15
Oil Alert System	13
Recoil Starter.....	10
GENERATOR USE	17
AC Applications	18
AC Operation	19
MAINTENANCE	25
Air cleaner service	28
Engine oil change	27
Fuel Sediment Cup Cleaning.....	29
Spark Arrester Maintenance	22
Spark Plug Service	30
Tool kit	26
PREOPERATION CHECK	21
Engine Oil	21
Fuel Recommendation.....	22
SAFETY	4
Safety Information.....	6
Safety Label Locations	4
SPECIFICATIONS	39
TRANSPORTING/STORAGE.....	34
TROUBLESHOOTING	36
WARRANTY SERVICE	40
WIRING DIAGRAM	38

MEMO

MEMO

MEMO

HONDA
HONDA MOTOR CO., LTD. TOKYO, JAPAN

31ZB3600
00X31-ZB3-6000

K1

Ⓐ Ⓜ Ⓝ 10009206
PRINTED IN JAPAN