

GB

English, 1

E

Español, 14

P

Português, 27

GB**AS600V**

Contents

Important information, 2

Installation, 3-4

- Where to put your dryer
- Ventilation
- Electrical connection
- Before you start using your dryer

Dryer description, 5

- The front
- The back
- Control panel

Start and programmes, 6-7

- Choosing a programme
- Table of programmes

Laundry, 8-9

- Sorting your laundry
- Wash care labels
- Special clothing items
- Drying times

Warnings and Suggestions, 10

- General safety
- Disposal
- Saving energy and respecting the environment

Maintenance and Care, 11

- Switching off the electricity
- Cleaning the filter after each cycle
- Check the drum after each cycle
- Cleaning the dryer

Troubleshooting, 12

Service, 13

- Spare parts

! Keep this instruction booklet on hand in order to refer to it when necessary. Take it with you when you move, and should you sell this appliance or pass it on to another party, make sure that this booklet is supplied along with the dryer so that the new owner may be informed about warnings and suggestions on how the appliance works.

! Read these instructions carefully; the following pages contain important information on installation and suggestions on how the appliance works.

Important Information

GB

For your Venting dryer to operate efficiently, you must follow the regular maintenance schedule shown below:

Fluff Filter...

! You MUST clean the fluff filter after EVERY drying cycle.

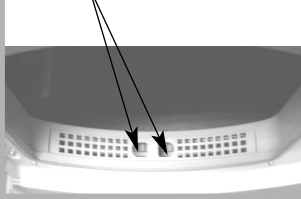
STEP 1.

Open the door of your dryer.



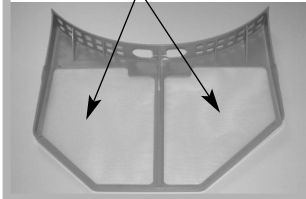
STEP 2.

Pull out the filter (using the two finger grips).



STEP 3.

Clean any fluff deposits from the filter mesh.



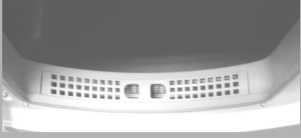
STEP 4.

Refit the filter.
- Make sure the arrows are facing you.



STEP 5.

Make sure the filter is pushed fully home.
- NEVER run the dryer without the filter in position.

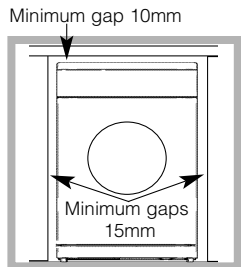


! Failure to clean the filter after EVERY drying cycle will affect the drying performance of your machine.
- It will take longer to dry and as a result will use more electricity during drying.

! You MUST clean fluff build up around the filter housing and the vent tube periodically, EVERY two or three months:
- Check the vent tube and any permanent venting fixture to make sure that there has been no accumulation of fluff or lint, and remove it.
- Remove lint that collects around the filter and the outlet vents.

Where to put your dryer

- Place your dryer at a distance from gas ranges, stoves, heaters, or cook tops because flames can damage the appliance.



- If you are going to install the appliance under a work counter, be sure to leave a 10mm space between the top and any other objects on or above the machine and a 15mm space between the sides and lateral furnishings or walls. This is to ensure

proper air circulation. Make sure that the back vents are not obstructed.

- Make sure you put your dryer in an environment that is not damp and has proper air circulation throughout, the dryer will not operate efficiently in an enclosed space or cupboard.

! We do not recommend that the dryer is installed in a cupboard but the dryer must never be installed behind a lockable door, a sliding door or a door with a hinge on the opposite side to that of the dryer door.

Ventilation

The Dryer dries your laundry by drawing in cool, clean and relatively dry air, heating it, and then distributing it through the clothes as they are gently tumbled. For optimum performance, the moist air is then blown out through a vent tube at the back of the dryer.

When the dryer is in use, there has to be adequate ventilation to avoid the back flow of gases into the room from appliances burning other fuels, including open fires.

Mobile venting

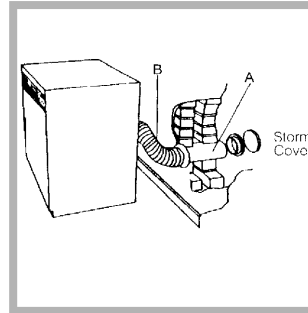
A vent tube must always be fitted when the dryer is used in conjunction with Mobile Venting. The tube must be fitted securely into the back of the dryer (*see Dryer Description*). If possible, it is always best to connect the tube to a permanent outlet close to the dryer. If permanent installation is not possible, the dryer will work just as well with the tube passing through a partly-opened window.

! Ensure that the end of the tube is not directed toward the air intake vent at the rear of the dryer.

! The vent tube should not exceed 2.4 metres in length and should be kept free of any possible accumulation of fluff, lint and water by shaking it out frequently. Always ensure that the tube is not squashed.

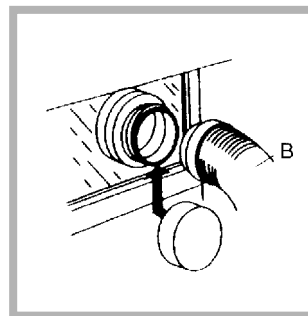
Permanent venting

In conjunction with the vent tube we recommend using a Wall/Window Vent Kit, available at a retail location or the nearest Spare Parts Dealer.



Wall mounting

1. Leave an opening in the wall to the left of the dryers proposed position.
2. Keep the tube as short and straight as possible to prevent condensed moisture from backing up into the dryer.
3. Similarly, the duct in the wall should slope downwards towards the outside.



Window mounting

1. With a stacked dryer the hole in the window should ideally be made below the vent.
2. The tube should be kept as short as possible.

Depending on how often you use your dryer, it is essential that areas A and B are checked periodically to remove lint or debris.

The vent tube adaptor must be fitted securely thus preventing any humid air from being emitted back into the room.

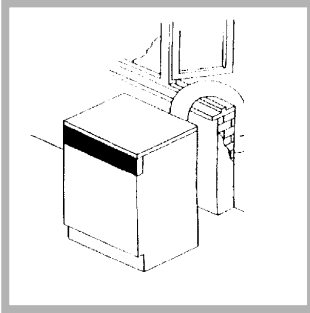
! The Dryer should not be pushed so far back that the tube adaptor is pulled out of position or the tube is squashed or bent.

! The tube should be kept clear of the air intake vent and kinks or 'U' bends must be avoided as these will obstruct the tube or trap condensation.

Installation

GB

Open window venting



The end of the tube should be directed downwards, to prevent warm moist air from condensing in the room or in the dryer.

! Ensure that the dryer is adequately ventilated and that the end of the vent tube is not directed towards the air intake duct.

! The vent tube must always be fitted for optimum performance.

! Make sure that the vent tube and air intake vents are not obstructed or blocked.

! The dryer must not recycle exhaust air.

! Misusing a tumble dryer may create a fire hazard.

! Do not discharge exhaust air into a flue which is used for exhaust fumes from other appliances that burn gas or other fuels.

! Do not discharge exhaust air into an extraction system or any duct with an extractor fan. This will affect the way the thermal controls operate and can result in a fire hazard.

Electrical connections

Make sure of the following before you insert the plug into the the electrical socket:

- The socket must be grounded.
- The socket must be able to sustain the machines maximum power, which is indicated on the rating label (*see Dryer Description*).
- Power voltage must be within the values indicated on the rating label (*see Dryer Description*).
- The socket must be compatible with the dryers plug. Should this not be the case, replace the plug or the socket.

! The dryer must not be installed outdoors, even if the space is sheltered. It can be very dangerous if it is exposed to rain or storms.

! Once installed, the dryers electrical wire and plug must be within easy reach.

! Do not use extension cords.

! The power cord must not be bent or squashed.

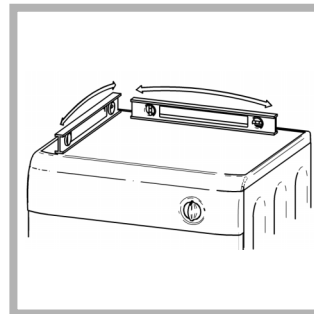
! The power supply cord should be checked periodically and replaced by a cord specially prepared for this dryer and fitted only by authorised technicians (*see Service*). New or longer power cords are supplied at an extra charge by authorised dealers..

! The manufacturer denies any responsibility should any of these rules not be followed.

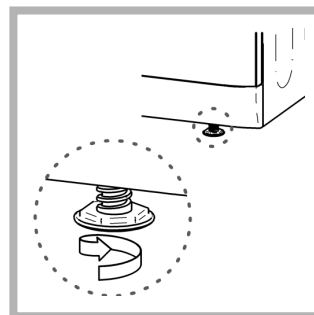
! If in doubt about any of the above consult a qualified electrician.

Levelling your dryer

The dryer must be installed level for correct operation.



When you have installed your dryer in its final location check that it is level first side to side, then front to back.



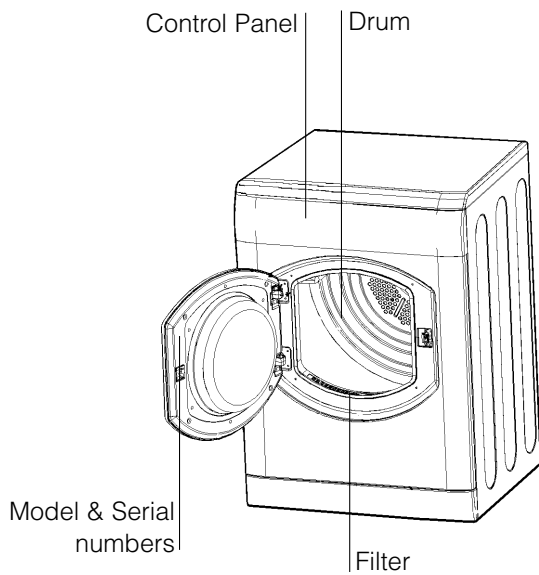
If the dryer is not level, use a wooden block to support it while adjusting the two front legs up or down, until your dryer is level.

Before you start using your dryer

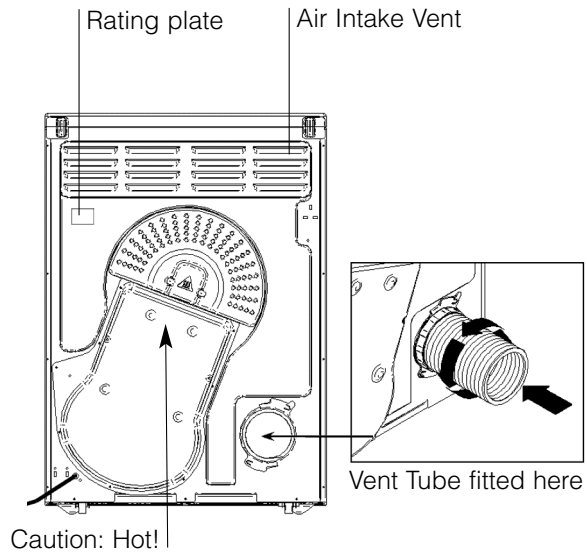
Once you have installed your dryer and before you use it, clean the inside of the drum to remove any dust that could have accumulated during transport.

Dryer Description

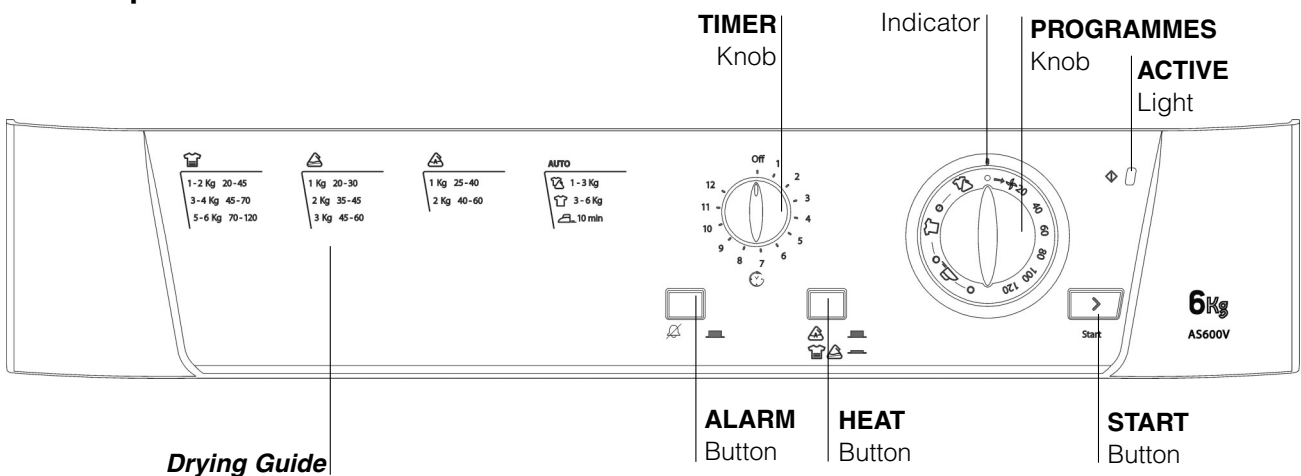
The front



The back



Control panel



The **START** button begins drying a selected programme (*see Start and Programmes*).

The **HEAT** button selects drying temperature (*see Start and Programmes*).

OUT: LOW heat

IN: HIGH heat

The **ALARM** buzzer signals the end of a drying cycle.

IN: Buzzer ON

OUT: Buzzer OFF

The **ACTIVE** indicator light signals that your dryer is in use. This light will glow when the START button is pressed. It will remain on until the door is opened or the power is turned off. This light will be on during a delayed start programme.

The **Drying Guide** allows you to consult a user friendly table of fabric types and load capacities.

The **TIMER** knob sets a delay on the dryer's start time. Rotate it clockwise until you reach the number of hours you want to delay the start time: If you have gone too far, turn the knob counter-clockwise (*see Start and Programmes*).

The **PROGRAMMES** knob sets the programme: rotate it clockwise, **never counter-clockwise**, until the indicator is pointing to the programme you want to select (*see Start and Programmes*).

Start and Programmes

GB

Choosing a programme

1. Plug the dryer into the electrical socket.
2. Sort your laundry according to fabric type (*see Laundry*).
3. Open the door and make sure the filter is clean and in place (*see Maintenance*).
4. Load the machine and make sure items are not in the way of the door seal. Close the door.
5. Choose the drying programme by checking the Programmes table (*see Programmes*) as well as the indications for each type of fabric (*see Laundry*).
 - Set the temperature with the HEAT button.
 - Select a programme or drying time by rotating the PROGRAMMES knob clockwise.
6. Set a delay time by using the TIMER knob if necessary.
7. If you wish to eliminate the buzzer sound, press the ALARM button.
8. Press the START button to begin. The DRYING indicator light will turn on and will stay on, even during the delay. The indicator light will remain on until you open the dryer door. During the drying programme, you can check on your laundry and take out items that are dry while others continue drying. When you close the door again, press the START button in order to resume drying.
9. About 10 minutes before the programme is completed, it enters the final COOL TUMBLE phase (fabrics are cooled), which should always be allowed to complete.
10. The buzzer will warn you when drying is complete. Open the door, take the laundry out, clean the filter and replace it (*see Maintenance*).
11. Unplug the dryer.

Start and Programmes

Programmes

Programme	What it does...	How to set it...	Note:
Automatic Drying (average loads)	Dries completely: your clothes are ready to be worn. For average loads (from 1 to 3kg) of Cotton , polycotton or synthetics .	1. Select HIGH HEAT by pressing the HEAT button. 2. Position the PROGRAMMES knob on . 3. Press the START button , the ACTIVE light will turn on.	! If you select LOW HEAT, this programme will not dry your clothes. For Acrylic fibres or small loads select Timed Drying. This programme can also be used for large loads if you prefer a slightly drier result.
Automatic Drying (large loads)	Dries completely: your clothes are ready to be worn. For large loads (from 3 to 6kg) of Cotton .	1. Select HIGH HEAT by pressing the HEAT button. 2. Position the PROGRAMMES knob on . 3. Press the START button , the ACTIVE light will turn on.	! If you select LOW HEAT, this programme will not dry your clothes. For Acrylic fibres or small loads select Timed Drying. This programme can also be used for average loads if you prefer a damper result.
Easy Iron	Brief programme (approximately 10 minutes) that softens fibres of clothing that is ready for ironing.	1. Select HIGH HEAT by pressing the HEAT button. 2. Position the PROGRAMMES knob on . 3. Press the START button , the ACTIVE light will turn on.	! This is not a drying programme (<i>see below</i>).
Timed Drying up to 120 minutes	Dries wet clothes that will be ironed, Acrylic fibres , or small loads (less than 1kg). If you prefer a timed programme can be used for other fabrics on HIGH or LOW heat as appropriate (<i>see Laundry</i>).	1. Select required heat setting HIGH HEAT or LOW HEAT by pressing the HEAT button. 2. Position the PROGRAMMES knob on the desired time. 3. Press the START button , the ACTIVE light will turn on.	Consult suggested drying times (<i>see Laundry</i>).
Cool Tumble	Use to refresh fibres of clothing (approximately 10 minutes).	1. Position the PROGRAMMES knob on . 2. Press the START button , the ACTIVE light will turn on.	! This is not a drying programme (<i>see below</i>).

Cool Tumble Phase

This is the programmes' final phase. Approximately 10 minutes before the finish, the knob advances automatically to the Cool Tumble Phase. Heating elements turn themselves off and clothing is cooled down, after this the Buzzer will sound (if selected) and the clothing is ready to be taken out.

! Always allow the dryer to complete this phase.

Easy Iron Programme

'Easy Iron' is a short 10 minute programme (8 minutes of heat followed by a 2 minute cool tumble period) which fluffs the fibres of clothing that have been left in the same position/location for an extended period of time. The cycle relaxes the fibres and makes them easier to iron and fold.

! 'Easy Iron' is **not a drying programme** and should not be used for wet articles of clothing.

For best results:

- Do not load more than the maximum capacity.
 These numbers refer to the dry weight:

Fabric	Maximum load
Cotton and Cotton mixtures	2.5kg
Synthetics	2kg
Denim	2kg

- Unload the dryer immediately after the end of the programme, hang, fold or iron the articles and put them away in the closet. Should this not be possible repeat the programme.

The 'Easy Iron' effect varies from one fabric to the next. It works well on traditional fabrics like Cotton or Cotton mix, and less well on acrylic fibres and on materials such as Tencel®.

Laundry

GB

Sorting your laundry

- Check symbols on clothing labels to make sure that the articles can be tumble dried.
- Sort laundry by fabric type.
- Empty pockets and check buttons.
- Close zippers and hooks and tie loose belts and strings.
- Wring out each item in order to eliminate as much excess water as possible.

! Do not load dripping wet clothes into the dryer.

Maximum load size

Do not load more than maximum capacity.

These numbers refer to dry weight:

Natural fibres: 6kg max (13lb)

Synthetic fibres: 3kg max (6.6lb)

! DO NOT overload the dryer as this could result in reduced drying performance.

Typical load

Note: 1kg = 1000g (1lb = 16oz)

Clothes			
Blouse	Cotton	150g	(5oz)
	Other	100g	(3oz)
Dress	Cotton	500g	(1lb 2oz)
	Other	350g	(12oz)
Jeans		700g	(1lb 6oz)
10 nappies		1000g	(2lb 3oz)
Shirt	Cotton	300g	(10oz)
	Other	200g	(7oz)
T-Shirt		125g	(4oz)


Household Items			
Duvet cover (Double)	Cotton	1500g	(3lb 5oz)
	Other	1000g	(2lb 3oz)
Large Tablecloth		700g	(1lb 6oz)
Small Tablecloth		250g	(9oz)
Tea Towel		100g	(3oz)
Bath Towel		700g	(1lb 6oz)
Hand Towel		350g	(12oz)
Double Sheet		500g	(1lb 2oz)
Single Sheet		350g	(12oz)


At the end of a drying cycle, cottons could still be damp if you grouped cottons and synthetics together. If this happens simply give them an additional short period of drying.


- **Note:** The last 10 minutes of any time set is the Cool Tumble, so allow for this when setting the time, as this period will not dry your laundry.

Wash Care Labels

Look at the labels on your garments, especially when tumble drying for the first time. The following symbols are the most common:


 May be tumble dried

 Do **not** tumble dry

 Tumble dry at high heat setting

 Tumble dry at low heat setting

Items not suitable for tumble drying

- Articles that containing rubber or rubber-like materials or plastic film (pillows, cushions, or PVC rainwear), any other flammable articles or objects that contain flammable substances (towels soiled with hair spray).
- Glass fibres (certain types of draperies)
- Items which have been dry cleaned
- Items with the ITCL Code  (*see Special clothing items*). These can be cleaned with special at-home dry cleaning products. Follow instructions carefully.
- Large bulky items (quilts, sleeping bags, pillows, cushions, large bedspreads etc). These expand when drying and would prevent airflow through the dryer.

Special clothing items









Blankets and Bedspreads: acrylic items (Acilan, Courtelle, Orion, Dralon) **must be dried** with special care on LOW heat setting. Avoid drying for a long period of time.

Pleated or creased garments: read the manufacturer's drying instructions on the garment.

Starched articles: do not dry these with non-starched items. Make sure that as much of the starch solution is removed from the load as possible before placing it in the dryer. Do not over-dry: the starch will become powdery and leave your clothing limp, which defeats the purpose of starch.

Drying times

The table below presents APPROXIMATE drying times in minutes. Weights refer to dry garments:

Cottons  					
High (full) Heat 					
Drying times 800-1000rpm in washing machine					
		Half Load			Full Load
1kg	2kg	3kg	4kg	5kg	6kg
20-30	35-45	45-60	60-70	70-80	80-100
Synthetics 					
High (full) Heat 					
Drying times on reduced spin in washing machine					
	Half Load		Full Load		
1kg	2kg		3kg		
20-30	35-45		45-60		
Acrylics  / 					
Low (gentle) Heat 					
Drying times on reduced spin in washing machine					
Half Load				Full Load	
1kg				2kg	
25-40				40-60	

Times are approximate and can vary depending upon:

- Amount of water retained in clothes after spin cycle: towels and delicates retain a lot of water.
- Fabrics: items that are the same type of fabric but different textures and thicknesses may not have the same drying time.
- Quantity of laundry: single items or small loads may take longer to dry.
- Dryness: If you are going to iron some of your clothes, they can be taken out while still a bit damp. Others can be left longer if you need them to be completely dry.
- Heat setting.
- Room temperature: if the room where the dryer is located is cold, it will take longer for the dryer to dry your clothes.
- Bulk: some bulky items can be tumble dried with care. We suggest that you remove these items several times, shake them out, and return them to the dryer until finished.

! Do not over-dry your clothes.


All fabrics contain a little natural moisture, which keeps them soft and fluffy.

Warnings and Suggestions

GB

! The appliance has been designed and built according to international safety standards. These warnings are given for safety reasons and must be followed carefully.

General safety

- This tumble dryer is not intended for use by persons (including children) with reduced physical, sensory or mental capabilities, or lack of experience and knowledge, unless they have been given supervision or instruction concerning use of the appliance by a person responsible for their safety.
- This tumble dryer has been designed for home, and not professional use.
- Do not touch the appliance while barefoot or with wet hands or feet.
- Unplug the machine by pulling on the plug, not the cord.
- Children must not be in proximity of the dryer when in use. After using the dryer, turn it off and unplug it. Keep the door closed to make sure that children do not use it as a toy.
- Children should be supervised to ensure that they do not play with the dryer.
- The appliance must be installed correctly and have proper ventilation. The air intake vents behind the machine, the outlet vents and the vent tube should never be obstructed (*see Installation*).
- Never direct the vent tube outlet towards the air intake at the back of the machine.
- Never allow the tumble dryer to recycle exhaust air.
- Never use the dryer on carpeting where the pile height would prevent air from entering the dryer from the base.
- Check to see if the dryer is empty before loading it.
-  The back of the dryer could become very hot. Never touch it while in use.
- Do not use the dryer unless the filter is securely in place (*see Maintenance*).
- Do not use liquid fabric softeners in the dryer, add it to the final rinse of your wash.
- Do not overload the dryer (*see Laundry*) for maximum loads.
- Do not load items that are dripping wet.
- Tumble dry items only if they have been washed with detergent and water, rinsed and been through the spin cycle. It is a fire hazard to dry items that HAVE NOT been washed with water.
- Carefully check all instructions on clothing labels (*see Laundry*).
- Do not dry garments that have been treated with chemical products.
- Never dry articles that are contaminated with flammable substances (cooking oil, acetone, alcohol, petrol, kerosene, spot removers, turpentine, waxes, wax removers and hair sprays), unless washed in hot water with an extra amount of detergent.
- Do not tumble dry rubber, rubber backed articles and clothes, pillows fitted with foam rubber pads, foam (latex foam), rubber, plastic, shower caps, waterproof textiles, nappy pants or liners, polythene or paper.

- Do not tumble dry large, very bulky items.
- Do not tumble dry acrylic fibres at high temperatures.
- Remove all objects from pockets, especially lighters (risk of explosion).
- Complete each programme with its Cool Tumble Phase.
- Do not turn off the dryer when there are still warm items inside.
- Clean the filter after each use (*see Maintenance*).
- Do not allow lint to collect around the dryer.
- Never climb on top of the dryer. It could result in damage.
- Always follow electrical standards and requirements (*see Installation*).
- Always buy original spare parts and accessories (*see Service*).

! **WARNING:** Never stop the dryer before the end of the drying cycle unless all items are quickly removed and spread out so that the heat is dissipated.

Recycling and disposal information



As part of our continued commitment to helping the environment, we reserve the right to use quality recycled components to keep down customer costs and minimise material wastage.

- Disposing of the packaging material: follow local regulations, so the packaging can be recycled.
- To minimise risk of injury to children, remove the door and plug - then cut off mains cable, flush with the appliance. Dispose of these parts separately to ensure that the appliance can no longer be plugged into a mains socket.

Disposal of old electrical appliances

The European Directive 2002/96/EC on Waste Electrical and Electronic Equipment (WEEE), requires that old household electrical appliances must not be disposed of in the normal unsorted municipal waste stream. Old appliances must be collected separately in order to optimise the recovery and recycling of the materials they contain and reduce the impact on human health and the environment.



The crossed out "wheeled bin" symbol on the product reminds you of your obligation, that when you dispose of the appliance it must be separately collected.

Consumers should contact their local authority or retailer for information concerning the correct disposal of their old appliance.

Saving energy and respecting the environment

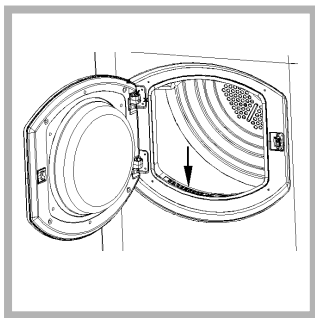
- Wring out items to eliminate excess water before tumble drying (if you use a washing machine first, select a high spin cycle). Doing this will save time and energy during drying.
- Always dry full loads - you save energy: single items or small loads take longer to dry.
- Clean the filter after each use to contain energy consumption costs (*see Maintenance*).

Switching off the electricity

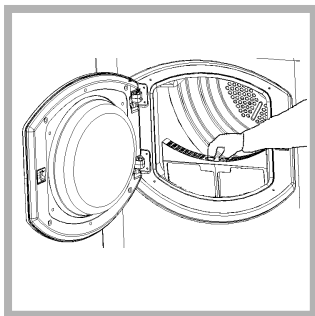
Unplug your dryer when not using it, when cleaning it and during all maintenance operations.

Clean the filter after each cycle

The filter is an important part of your dryer: it accumulates lint and fluff that is formed while drying. Small items could also become trapped in the filter. When finished drying, therefore, clean the filter by rinsing it under running water or with your vacuum cleaner. Should the filter become clogged up, the airflow inside the dryer will be seriously compromised: drying times lengthen and you will consume more energy. It may also damage your dryer.



The filter is found in front of the dryer trim (*see diagram*).



Removing the filter:
1. Pull the plastic grip of the filter upwards (*see diagram*).

2. Clean the filter and replace it correctly. Ensure the filter is fully located flush into the tumble dryer trim.

! Do not use the dryer without replacing the filter..

Check the drum after each cycle

Turn the drum manually in order to remove small items (handkerchiefs) that could have been left behind.

Cleaning the drum

! Do not use abrasives, steel wool or stainless steel cleaning agents to clean the drum.

A coloured film may start to appear on the stainless steel drum, this may be caused by a combination of water and, or cleaning agents such as fabric conditioner from the wash. This coloured film will not affect the dryer performance.

Cleaning

- External parts in metal or plastic and rubber parts can be cleaned with a damp cloth.
- Periodically check the vent tube and any permanent venting fixture to make sure that there has been no accumulation of fluff or lint, and remove it.
- Remove lint that collects around the filter and the outlet vents.

! Do not use solvents or abrasives.

! Your dryer uses special bearing components which do not need lubrication.

! Have your dryer checked regularly by authorised technicians to ensure electrical and mechanical safety (*see Service*).

Troubleshooting

GB

One day your dryer seems not to be working. Before you call your Service Centre (*see Service*), go through the following troubleshooting suggestions:

Problem:

Possible causes / Solution:

The tumble dryer won't start.

- The plug is not plugged into the socket, or not making contact.
- There has been a power failure.
- The fuse has blown. Try to plug another appliance into the socket.
- You are using an extension cord? Try to plug the dryer's power cord directly into the socket.
- The door is not closed securely?
- The PROGRAMMES knob has not been set properly (*see Start and Programmes*).
- The START button has not been pressed (*see Start and Programmes*).

Drying cycle will not begin.

- You have set a delayed time (*see Start and Programmes*).

Its taking a long time to dry.

- The filter has not been cleaned (*see Maintenance*).
- The temperature setting is not ideal for the type of fabric you are drying (*see Start and Programmes*).
- Auto Programmes require a HIGH temperature setting (*see Start and Programmes*).
- The correct programme has not been selected for the load (*see Start and Programmes*).
- The flexible vent tube is obstructed (*see Installation*).
- The air intake vent is obstructed (*see Installation*).
- The permanent ventilation flap on the storm cover is obstructed (*see Installation*).
- The items were too wet (*see Laundry*).
- The dryer was overloaded (*see Laundry*).

Before calling the Service Centre:

- Use the troubleshooting guide to see if you can solve the problem yourself (*see Troubleshooting*).
- If not, turn off the dryer and call the Service Centre closest to you.

What to tell the Service Centre:

- name, address and post code.
- telephone number.
- the type of problem.
- the date of purchase.
- the appliance model (Mod.).
- the serial number (S/N).

This information can be found on the data label inside the door of the machine.

Spare Parts

This dryer is a complex machine. Repairing it yourself or having a non-authorised person try to repair it could cause harm to one or more persons, could damage the machine and could invalidate the spare parts warranty.

Call an authorised technician if you experience problems while using the machine.

The spare parts have been designed exclusively for this appliance and not for other uses.



This appliance conforms to the following EC Directives:
- 2006/95/EC (Low Voltage Equipment)
- 89/336/EEC, 92/31/EEC and 93/68/EEC (Electromagnetic Compatibility)

E**GB**

English, 1

E**Español, 14****P**

Português, 27

AS600V

Índice de materias

Información Importante, 15

Instalación, 16-17

- Dónde instalar la secadora
- Ventilación
- Conexiones eléctrica
- Antes de empezar a utilizar la secadora

Descripción de la secadora, 18

- La sección delantera
- La sección trasera
- El panel de control

Comienzo y programas, 19-20

- Seleccionar un programa
- Tabla de programas

La colada, 21-22

- Clasificar la colada
- Etiquetas de recomendaciones durante el lavado de la ropa
- Prendas especiales
- Tiempos de secado

Advertencias y recomendaciones, 23

- Seguridad general
- Disposición
- Ahorro energético y respeto del medio ambiente

Mantenimiento y cuidados, 24

- Desconectar la electricidad
- Limpiar el filtro después de cada ciclo
- Comprobar el tambor después de cada ciclo
- Limpiar la secadora

Resolución de problemas, 25

Servicio, 26

- Piezas de repuesto

¡Guarde este manual de instrucciones a mano a fin de consultarlo cuando sea necesario. Llévelo con usted cuando se traslade, y, si vendiera este electrodoméstico o si lo pasa a terceros compruebe que este manual se incluya con la secadora de forma que el nuevo propietario quede informado acerca de las advertencias y recomendaciones, además del funcionamiento de la secadora.

¡Lea estas instrucciones detenidamente; las páginas que aparecen a continuación contienen información importante sobre la instalación, además de recomendaciones sobre el funcionamiento del electrodoméstico.

**ARISTON**

Para que la secadora por evacuación funcione de forma eficaz, debe seguirse el siguiente plan de mantenimiento regular:

E

Filtro...

! DEBE limpiar el filtro de pelusas después de CADA ciclo de secado.

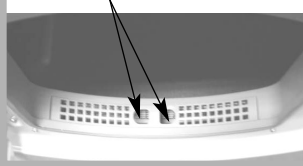
PASO 1.

Abra la puerta de la secadora.



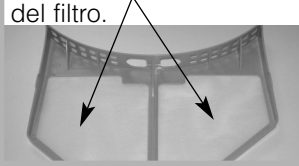
PASO 2.

Tire del filtro para sacarlo (usando las sujeciones para los dedos).



PASO 3.

Limpie todas acumulación las pelusas que se hayan acumulado en la rejilla del filtro.



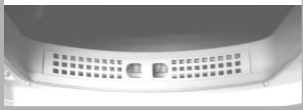
PASO 4.

Vuelva a colocar el filtro.
- Asegúrese de que las flechas están en el lado exterior.



PASO 5.

Asegúrese de empujar el filtro hasta el fondo.
- NUNCA ponga en marcha la secadora si el filtro no está en su sitio.



! No limpiar el filtro después de CADA ciclo de secado afectará a la capacidad de secado de la máquina.
- Tardará más tiempo en secar la ropa y, como consecuencia, usará más electricidad durante el secado.

! DEBE limpiar de forma regular (CADA dos o tres meses) la acumulación de pelusas alrededor del segmento del filtro y del tubo.

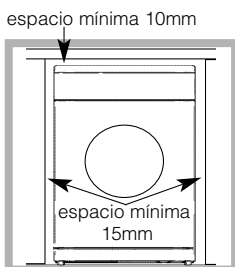
- Compruebe el tubo de evacuación y la instalación de ventilación permanente para asegurarse de que no se haya acumulado polvo alrededor del filtro y de los respiraderos de salida.

Instalación

E

Dónde instalar la secadora

- Instale la secadora lejos de estufas, calentadores o cocinas, ya que las llamas pueden dañar el electrodoméstico.



- Si va a instalar el electrodoméstico debajo de una encimera, asegúrese de dejar un espacio de 10 mm entre la parte superior y cualquier otro objeto que vaya encima o sobre la máquina y un espacio de 15 mm entre los costados y

el mobiliario lateral o paredes. Esto asegura la correcta circulación de aire. Asegúrese que los respiraderos traseros no estén obstruidos.

- Asegúrese que coloca la secadora en un lugar que no tenga humedad y con una circulación de aire adecuada. La secadora no funcionará eficazmente en un espacio cerrado armario.

! No es aconsejable instalar la secadora en un armario y bajo ningún concepto debe instalarse detrás de una puerta con un mecanismo de seguridad con bloqueo, una puerta corredera o una puerta con una bisagra colocada en el lado opuesto a la de la puerta de la secadora.

Ventilación

La secadora seca la colada aspirando aire frío, limpio y relativamente seco, calentándolo y luego distribuyéndolo a través de la ropa a medida que la colada da vueltas suavemente. Con objeto de ofrecer el rendimiento más óptimo, el aire húmedo se extrae a través de un tubo de ventilación ubicado en la parte trasera de la secadora.

Cuando la secadora está en uso, debe haber una ventilación adecuada a fin de evitar el flujo de retorno de gases en la zona de electrodomésticos que queman otros combustibles, incluyendo fuegos abiertos.

Ventilación móvil

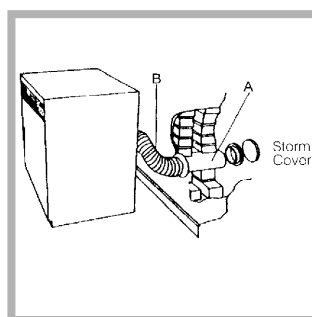
Siempre debe ajustarse un tubo de ventilación cuando la secadora se utiliza en combinación con la ventilación móvil. El tubo debe instalarse de forma segura en la parte trasera de la secadora (*véase Descripción de la secadora*). A ser posible, siempre es mejor conectar el tubo a una salida permanente cerca de la secadora. Si no es posible realizar una instalación permanente, la secadora funcionará igual de bien con el tubo fuera de una ventana parcialmente abierta.

! Compruebe que el extremo del tubo no esté orientado hacia el respiradero de la entrada de aire en la parte de atrás de la secadora.

! El tubo de ventilación no debe superar 2,4 metros de largo y debe permanecer libre de cualquier posible acumulación de pelusas, hilos y agua, sacudiéndolo con frecuencia. Asegúrese siempre que el tubo no está aplastado.

Ventilación permanente

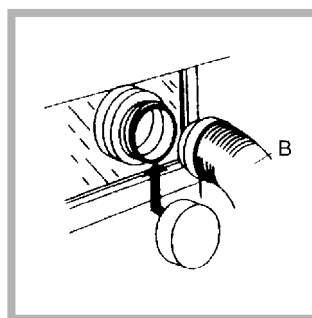
Junto con el tubo de ventilación, recomendamos utilizar un juego de ventilación de pared/ventana, disponible en cualquier comercio o del distribuidor de piezas de repuesto más cercano.



Montaje en la pared

1. Deje una abertura en la pared, al lado izquierda de la ubicación propuesta para la secadora.
2. Mantenga el tubo lo más corto y recto posible a fin de evitar que la humedad condensada se introduzca en la secadora.

3. De manera similar, el conducto en la pared debe estar orientado hacia el exterior.



Montaje en una ventana

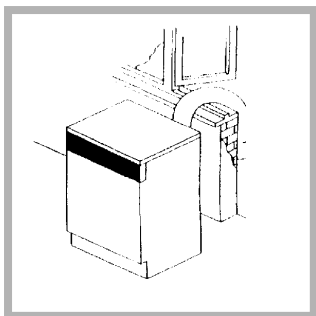
1. En el caso de una secadora instalada en columna, el orificio de la ventana debería hacerse debajo del respiradero.
2. El tubo debe mantenerse lo más corto posible.

Dependiendo de la frecuencia con la que use la secadora, es esencial que las áreas A y B se comprueben periódicamente para retirar las pelusas o la suciedad. El adaptador del tubo de ventilación debe ajustarse de forma segura a fin de evitar que el aire húmedo se distribuya por la habitación.

! La secadora no se debería empujar muy al fondo para evitar que el tubo de evacuación salga de su ubicación.

! El tubo debe permanecer lejos del respiradero de la entrada de aire y deben evitarse las dobleces o codos en "U" ya que éstos obstruirán el tubo o atraparán condensación.

Ventilación mediante una ventana abierta



El extremo del tubo debe orientarse hacia abajo, a fin de evitar que el aire húmedo y caliente se condense en la habitación o en la secadora.

- ¡Compruebe que la secadora tenga la ventilación adecuada y que el extremo del tubo de ventilación no esté orientado hacia el conducto de entrada de aire.
- ¡El tubo de ventilación siempre debe estar ajustado a fin de ofrecer el rendimiento más óptimo.
- ¡Asegúrese que el tubo de ventilación y los respiraderos de entrada de aire no estén obstruidos o bloqueados.
- ¡La secadora no debe reciclar el aire de salida.
- ¡El mal uso de cualquier secadora tiene el riesgo de que se produzcan incendios.
- ¡No expulsar el aire de salida a un conducto de humos que se utilice para gases de salida de otros electrodomésticos que quemen gas u otros combustibles.
- ¡No expulsar el aire de salida a un sistema de extracción ni a un conducto de aire con ventilador extractor: afectaría al funcionamiento de los controles térmicos y podría producir un incendio.

Conexiones eléctricas

Compruebe lo siguiente antes de introducir el enchufe en la toma eléctrica:

- El enchufe debe llevar conexión a tierra.
- El enchufe debe tener la capacidad suficiente para soportar la máxima potencia de los electrodomésticos, lo que se indica en la matrícula (*véase Descripción de la secadora*).
- El voltaje de potencia debe encontrarse dentro de los valores indicados en la matrícula (*véase Descripción de la secadora*).
- La toma debe ser compatible con el enchufe de la secadora. Si este no es el caso, cambie el enchufe o la toma.

¡La secadora no debe instalarse en el exterior, incluso si el espacio destinado a estos efectos está resguardado. Puede ser muy peligroso si está expuesta a la lluvia o tormentas.

¡Una vez instalada, el cable eléctrico y el enchufe de la secadora deben estar al alcance de la mano.

¡No utilice cables alargadores.

¡El cable de alimentación no debe estar ni doblado ni torcido.

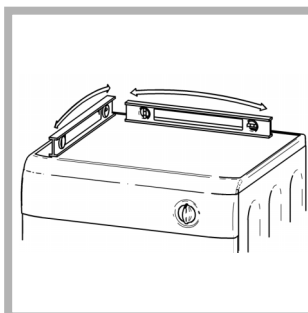
¡Debe comprobarse periódicamente el cable de la fuente de alimentación y cambiarse con un cable especialmente preparado para esta secadora e instalarse únicamente por técnicos autorizados (véase *Servicio*). Los cables de alimentación nuevos o más largos pueden adquirirse adicionalmente de distribuidores autorizados.

¡El fabricante declina toda responsabilidad en caso de no seguirse alguna de estas normas.

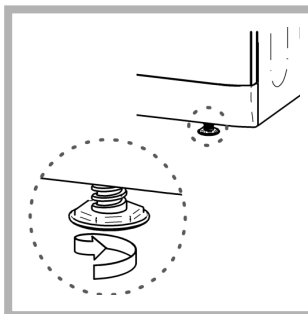
¡En caso de cualquier duda consulte con un electricista cualificado.

Nivelación de la secadora

Para un funcionamiento correcto, la secadora debe instalarse nivelada.



Cuando haya instalado la secadora en su ubicación definitiva, en primer lugar, compruebe que esté nivelada de lado a lado y de adelante a atrás.



Si la secadora no está nivelada, utilice una cuña de madera para soportarla mientras ajusta las patas hacia arriba o abajo, hasta que la secadora quede nivelada.

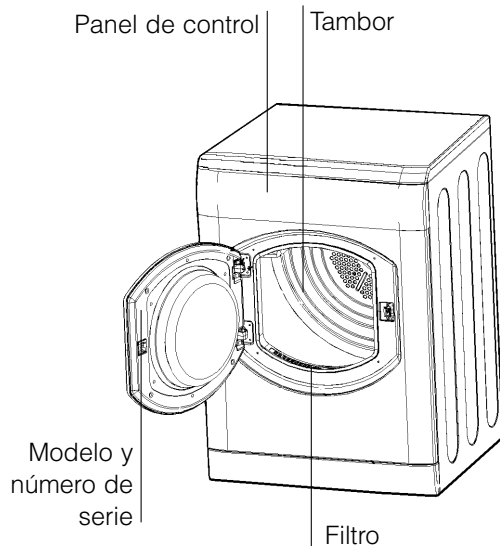
Antes de empezar a utilizar la secadora

Una vez haya instalado la secadora y antes de utilizarla, limpie el interior del tambor para retirar el polvo que haya podido acumularse durante el transporte.

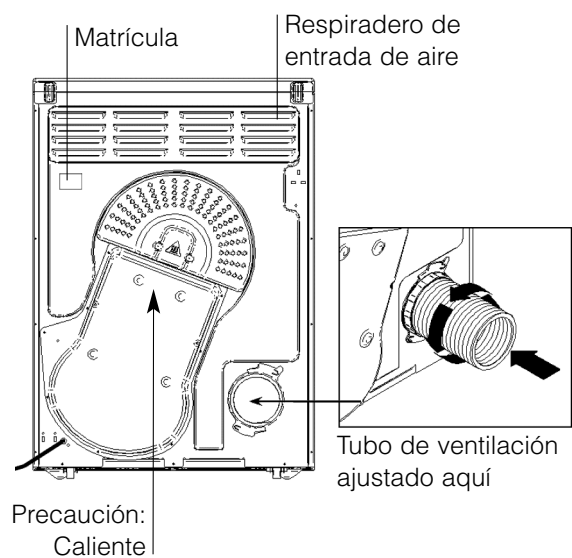
Descripción de la secadora

E

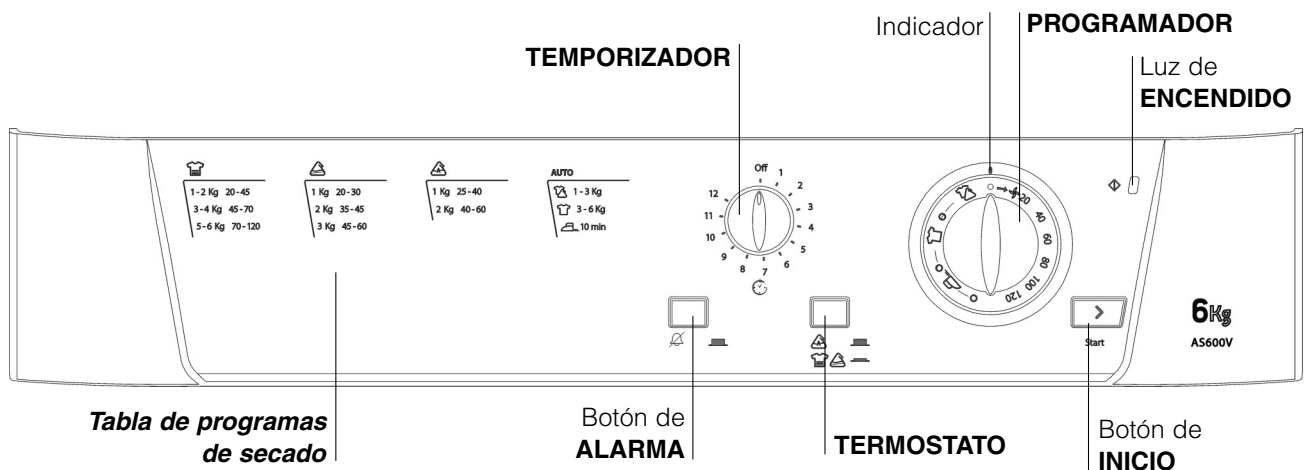
La sección delantera



La sección trasera



Panel de control



El botón de **INICIO** > comienza a secar un programa seleccionado (véase *Comienzo y Programas*).

El **TERMOSTATO** selecciona la temperatura de secado (véase *Comienzo y Programas*).

FUERA: POCO calor

DENTRO: MUCHO calor

El sonido de la **ALARMA** indica el fin del ciclo de secado.

DENTRO: Sonido encendido

FUERA: Sonido apagado

El indicador de **ENCENDIDO** indica que se está utilizando la secadora. Esta luz se iluminará cuando se presione el botón de INICIO. Permanecerá encendida hasta que se abra la puerta o se desconecte la potencia. Esta luz permanecerá encendida durante el programa de inicio retardado.

La **Tabla de programas de secado** le permite consultar una tabla fácil de usar de tipos de tejido y capacidades de carga.

El **TEMPORIZADOR** establece una demora en el tiempo de inicio de la secadora. Girar hacia la derecha hasta que llegue al número de horas que desea demorar el tiempo de inicio. Si se ha pasado del tiempo, gire el pomo hacia la izquierda (véase *Comienzo y Programas*).

El **PROGRAMADOR** establece el programa: girarlo hacia la derecha, **nunca hacia la izquierda**, hasta que el indicador señale el programa que desea seleccionar (véase *Comienzo y Programas*).



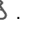
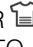



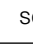





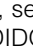
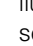






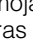


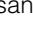
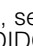
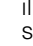

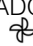
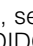
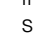
Seleccionar un programa

1. Enchufar la secadora a la toma eléctrica.
2. Clasifique la colada según la clase de tejido (*véase La colada*).
3. Abra la puerta y asegúrese que el filtro está limpio y en posición (*véase Mantenimiento*).
4. Cargue la máquina y asegúrese que no haya ninguna prenda atrapada en el cierre de la puerta. Cierre la puerta.
5. Seleccione el programa de secado que desee, comprobando la tabla de programas (*véase Programas*) además de las indicaciones para cada tipo de tejido (*véase La colada*).
 - Ajuste la temperatura con el TERMOSTATO.
 - Seleccione un programa o un tiempo de secado, girando el PROGRAMADOR hacia la derecha.
6. Ajuste un tiempo de demora utilizando el TEMPORIZADOR, si fuera necesario.
7. Si desea suprimir el sonido que emite el, pulse el botón de ALARMA.
8. Pulse el botón de INICIO para empezar. El indicador de SECADO se iluminará y permanecerá encendido, incluso durante el tiempo de demora. El indicador permanecerá encendido hasta que abra la puerta de la secadora. Durante el programa de secado, usted puede comprobar la colada y sacar las prendas que ya se han secado mientras el resto continúa secándose. Cuando vuelva a cerrar la puerta, pulse el botón de INICIO a fin de Empezar a secar de nuevo.
9. Aproximadamente 10 minutos antes de que finalice el programa, la secadora realiza una secuencia de SECADO EN FRÍO (los tejidos se enfrían), que siempre debe dejarse que termine.
10. El sonido de la alarma le alertará cuando se ha terminado el tiempo de secado. Abra la puerta, saque la ropa, limpie el filtro y vuelva a colocarlo (*véase Mantenimiento*).
11. Desenchufe la secadora.

Comienzo y Programas

E

Programas

Programa	Qué hace...	Qué programa...	Nota:
 Secado automático (cargas normales)	Seca la ropa totalmente: las prendas están listas para usar. Para cargas normales (de 1 a 3 kg) de algodón  , polialgodón o sintéticas  .	1. Seleccione MUCHO CALOR   presionando el TERMOSTATO. 2. Coloque el botón PROGRAMAS en  3. Pulse el botón de INICIO  , se iluminará la luz de ENCENDIDO se iluminará  .	¡Si selecciona POCO CALOR, este programa no secará la ropa. Para fibras acrílicas o cargas pequeñas seleccione Secado temporizado. Este programa también puede utilizarse para cargas grandes si precisa un resultado algo más seco.
 Secado automático (cargas grandes)	Seca la ropa totalmente: las prendas están listas para usar. Para cargas más grandes (de 3 a 6 kg) de algodón  .	1. Seleccione MUCHO CALOR   pulsando el TERMOSTATO. 2. Coloque el PROGRAMADOR en posición de encendido  3. Pulse el botón de INICIO  , se iluminará la luz de ENCENDIDO se iluminará  .	¡Si selecciona POCO CALOR, este programa no secará la ropa. Para fibras acrílicas o cargas pequeñas seleccione Secado temporizado. Este programa también puede utilizarse para cargas normales si desea un resultado algo más húmedo.
 Planchado fácil	Programa corto (aproximadamente 10 minutos) que suaviza las fibras de la ropa, dejándola lista para planchar.	1. Seleccione MUCHO CALOR   pulsando el TERMOSTATO. 2. Coloque el PROGRAMADOR en posición de encendido  3. Pulse el botón de INICIO  , se iluminará la luz de ENCENDIDO se iluminará  .	¡Este no es un programa de secado (véase abajo).
Secado temporizado hasta 120 minutos	Seca la ropa mojada que se planchará, fibras acrílicas  , o cargas pequeñas (menos de 1kg). Si lo prefiere, puede usar un programa con temporizador para otras telas con MUCHO o POCO calor, según corresponda (véase <i>La Colada</i>).	1. Seleccione el ajuste de calor deseado MUCHO CALOR   o POCO CALOR  pulsando el TERMOSTATO. 2. Coloque el PROGRAMADOR en el tiempo deseado. 3. Pulse el botón de INICIO  , se iluminará la luz de ENCENDIDO se iluminará  .	Consulte tiempos de secado recomendados (véase <i>La Colada</i>).
 Secado en frío	Utilícela para enfriar las fibras de las prendas (unos 10 minutos).	1. Coloque el PROGRAMADOR en posición de encendido  2. Pulse el botón de INICIO  , se iluminará la luz de ENCENDIDO se iluminará  .	¡Este no es un programa de secado (véase abajo).

Fase de secado en frío

Es la fase final del programa. Aproximadamente unos 10 minutos antes de terminar, el regulador se mueve automáticamente a la fase Secado en frío. Los elementos calentadores se desactivan automáticamente y las prendas se enfrían. Después se emite una alarma audible (si se ha seleccionado), tras lo cual ya se pueden sacar las prendas.

¡ Deje que la secadora acabe esta fase entera !

Programa de planchado fácil

“Planchado fácil” es un programa corto de 10 minutos (8 minutos de calor seguido de 2 minutos de secado en frío) que ahueca las fibras de la ropa que se ha dejado en la misma posición/lugar durante un largo periodo de tiempo. El ciclo relaja las fibras y facilita el planchado y el doblado de la ropa.

¡ “Planchado fácil” **no es un programa de secado** y no debe utilizarse para prendas mojadas !

Para obtener los mejores resultados:

1. No cargue más que la capacidad máxima.

Estos números se refieren al peso de la ropa en seco:

Tejido	Carga máxima
Algodón y mezclas de algodón	2,5 kg
Sintéticos	2 kg
Dril de algodón	2 kg

2. Vacíe la secadora inmediatamente después de que haya finalizado el programa, cuelgue, doble o planche las prendas y guárdelas en el armario. Si esto no es posible repita el programa.

El efecto de “planchado fácil” varía de un tejido a otro. Funciona bien con tejidos tradicionales como algodón o mezclas de algodón, y menos bien con tejidos acrílicos y materiales como Tencel®.

Clasificar la colada

- Compruebe los símbolos en las etiquetas de la ropa a fin de asegurar que los artículos pueden secarse con calor.
- Clasificar la colada por tipo de tejido.
- Vaciar los bolsillos y comprobar los botones.
- Cerrar las cremalleras y los corchetes y atar los cinturones y cordones sueltos.
- Escurra las prendas a fin de eliminar la mayor cantidad agua como sea posible.

¡ No meter ropas muy mojadas en la secadora.

Tamaño máximo de la carga

No cargue más que la capacidad máxima. Estos números se refieren al peso de la ropa en seco:

Fibras naturales: 6 kg máx.

Fibras sintéticas: 3 kg máx.

¡ NO cargar demasiado la secadora ya que esto podría dar como resultado un rendimiento de secado reducido.

Carga típica

Nota: 1kg = 1000g

Ropa		
Blusa	de algodón	150 g
	Otro	100 g
Vestido	de algodón	500 g
	Otro	350 g
Vaqueros		700 g
10 pañales		1000 g
Camisa	de algodón	300 g
	Otro	200 g
Camiseta		125 g





Artículos domésticos		
Funda de duvet (Doble)	de algodón	1500 g
	Otro	1000 g
Mantel grande		700 g
Mantel pequeño		250 g
Paño de cocina		100 g
Toalla de baño		700 g
Toalla de mano		350 g
Sábana doble		500 g
Sábana individual		350 g

Al final de un ciclo de secado, es posible que las prendas de algodón estén todavía húmedas si agrupó algodones y sintéticos juntos. Si sucediese esto, dele un tiempo corto de secado.


- **Nota:** Los últimos 10 minutos del tiempo que se haya fijado son para el secado en frío. Tenga esto en cuenta, ya que esta fase no secará las prendas.

Etiquetas de recomendaciones durante el lavado de la ropa

Lea siempre las etiquetas de la prenda, especialmente cuando se sequen con calor por primera vez. Los símbolos que aparecen a continuación son los más comunes:

-  Puede secarse con calor
-  **No** secar con calor
-  Secar con calor a una temperatura alta
-  Secar con calor a una temperatura baja

Artículos que no son aptos para secarse con calor

- Artículos que contienen goma o materiales similares a la goma o películas plásticas (almohadas, cojines, o prendas impermeables de PVC), cualquier otro artículo inflamable u objetos que contengan sustancias inflamables (toallas manchadas de laca para el cabello).
- Fibras de vidrio (ciertos tipos de cortinas)
- Artículos que se han limpiado en seco
- Artículos con el código ITCL  (*véase Prendas especiales*). Éstas pueden limpiarse en casa con productos especiales de limpieza en seco para usar en casa. Siga las instrucciones cuidadosamente.
- Artículos grandes y voluminosos (edredones, sacos de dormir, almohadas, cojines, sobrecamas grandes, etc). Éstos se agrandan cuando se están secando y evitarán el flujo de aire por la secadora.

La colada

E

Prendas especiales

Mantas y sobrecamas: Los artículos acrílicos (Acilan, Courtelle, Orion, Dralón) **deben secarse** teniendo especial cuidado y en ajuste POCO calor. Evite secarlos durante mucho tiempo.

Prendas plisadas o arrugadas: lea las instrucciones de secado del fabricante incluidas con la prenda.

Artículos almidonados: no seque estos artículos con otras prendas no almidonadas. Asegúrese que se retira la mayor cantidad posible de la solución de almidón de la carga antes de introducir las prendas en la secadora. No secar demasiado: El almidón puede tener una apariencia polvorienta y dejar la ropa sin vida, lo que hace inútil utilizar almidón.

Tiempos de secado

La tabla que aparece a continuación ofrece tiempos de secado APROXIMADOS en minutos. Los pesos se refieren a prendas secas:

Algodones  					
Mucho (máximo) calor 					
Tiempos de secado a 800-1000 rpm en la lavadora					
		Media carga			Carga entera
1 kg	2 kg	3 kg	4 kg	5 kg	6 kg
20-30	35-45	45-60	60-70	70-80	80-100
Sintéticos 					
Mucho (máximo) calor 					
Tiempos de secado con centrifugado reducido en la lavadora					
	Media carga		Carga entera		
1 kg	2 kg		3 kg		
20-30	35-45		45-60		
Acrílicos  					
Poco (suave) calor 					
Tiempos de secado con centrifugado reducido en la lavadora					
Media carga			Carga entera		
1 kg			2 kg		
25-40			40-60		

Los tiempos son aproximados y pueden variar dependiendo de:

- La cantidad de agua retenida en la ropa después del ciclo de centrifugado: las toallas y las prendas delicadas retienen mucha agua.
- Tejidos: las prendas del mismo tejido pero con diferente textura y espesor es posible que no tengan los mismos tiempos de secado.
- Cantidad de colada: las prendas sencillas o las cargas pequeñas pueden tardar más tiempo en secarse.
- Sequedad: Si va a planchar algunas de las prendas, puede sacarlas mientras están un poco húmedas. Otras pueden dejarse más tiempo si necesita que se sequen completamente.
- Ajuste de calor.
- Temperatura de la habitación: Si la habitación en la que se ha instalado la secadora es fría, la secadora tardará más tiempo en secar la ropa.
- Volumen: algunos artículos voluminosos pueden secarse con calor teniendo cuidado. Sugerimos que saque estos artículos varias veces, los sacuda y los vuelva a meter en la secadora hasta que finalice el programa.


! No seque la ropa en exceso. Todos los tejidos contienen una cantidad pequeña de humedad natural, lo que los mantiene suaves y huecos.

Advertencias y recomendaciones



¡ El electrodoméstico ha sido diseñado y fabricado según las normas internacionales de seguridad. Por razones de seguridad le comunicamos las siguientes advertencias. Por favor, léalas con atención.

Seguridad general

- Esta secadora ha sido diseñada para uso doméstico y no profesional.
- No tocar el electrodoméstico con los pies descalzos o con las manos o pies mojados.
- Desenchufar la máquina tirando del enchufe, no del cable.
- Los niños no deben encontrarse cerca de la secadora mientras se está utilizando. Después de utilizar la secadora, desenchúfela. Mantenga la puerta cerrada a fin de asegurar que los niños no puedan utilizarla como un juguete.
- El electrodoméstico debe instalarse correctamente y disponer de la ventilación adecuada. Los respiraderos de la entrada de aire detrás de la máquina, los respiraderos de salida y el tubo de ventilación nunca deben estar obstruidos (*véase Instalación*).
- Nunca oriente la salida del tubo de ventilación hacia la entrada de aire en la parte de atrás de la máquina.
- Nunca permita que la secadora recircule el aire de salida.
- Nunca utilice la secadora sobre alfombras en las que la altura del pelo evitaría que el aire se introdujera en la secadora por la base.
- Compruebe que la secadora esté vacía antes de cargar la colada.
-  La parte de atrás de la secadora puede estar muy caliente. Nunca la toque mientras está funcionando.
- No utilice la secadora a menos que el filtro esté correctamente instalado (*véase Mantenimiento*).
- No utilice suavizante en la secadora; añada el suavizante al último aclarado de la lavadora.
- No cargue la secadora demasiado (*véase La colada*) para las cargas máximas.
- No cargue prendas que estén muy mojadas.
- Seque las prendas únicamente si se han lavado con detergente y agua, se han aclarado y centrifugado. Existe el peligro de incendio si se secan artículos que NO se han lavado con agua.
- Compruebe detenidamente todas las instrucciones que se ofrecen en las etiquetas de las prendas (*véase La colada*).
- No seque prendas que hayan sido tratadas con productos químicos.
- Nunca seque prendas que se hayan ensuciado con sustancias inflamables (aceite de cocinar, acetona, alcohol, petróleo, queroseno, quitamanchas, aguarrás, ceras, decapantes de cera o sprays para el cabello), a menos que las haya lavado en agua caliente con una cantidad adicional de detergente.
- No seque artículos ni prendas de goma o con refuerzos de goma, almohadas con goma espuma, espuma (espuma de látex), goma, plástico, gorros de baño, tejidos impermeables, pañales tipo braguita ni forros de pañales, polietileno ni papel.
- No seque artículos grandes o muy voluminosos.
- No seque fibras acrílicas a altas temperaturas.

- Saque todos los objetos de los bolsillos, en especial encendedores (riesgo de explosión).
- Complete todos los programas con la fase de secado en frío.
- No desconecte la secadora cuando los artículos en su interior están todavía calientes.
- Limpie el filtro cada vez que use la secadora (*véase Mantenimiento*).
- No permita que se acumulen pelusas cerca de la secadora.
- Nunca suba encima de la secadora ya que podría ocasionar daños.
- Siga siempre las normas y los requerimientos eléctricos (*véase Instalación*).
- Compre siempre piezas de repuesto y accesorios originales (*véase Servicio*).

! ADVERTENCIA: Nunca pare la secadora antes de terminar el ciclo de secado a menos que saque inmediatamente todos los artículos y los extienda para que se disipe el calor.



Información sobre reciclado y disposición

Como parte de nuestro compromiso continuo por ser responsables con el medio ambiente, nos reservamos el derecho de utilizar componentes reciclados de calidad para mantener los costes de nuestros clientes bajos y reducir el desperdicio de materiales.

- Desechar el material de embalaje: siga las normativas locales, de forma que el embalaje pueda reciclarse.
- Para reducir al mínimo el riesgo de lesiones personales a los niños, quite la puerta y el enchufe y a continuación corte el cable de alimentación al ras con el electrodoméstico. Deshágase de estas piezas por separado a fin de asegurar que el electrodoméstico no pueda volverse a enchufar al suministro.

Eliminación del electrodoméstico viejo

En base a la Norma europea 2002/96/CE de Residuos de aparatos Eléctricos y Electrónicos (RAEE), los electrodomésticos viejos no pueden ser arrojados en los contenedores municipales habituales; tienen que ser recogidos selectivamente para optimizar la recuperación y reciclado de los componentes y materiales que los constituyen, y reducir el impacto en la salud humana y el medioambiente.



El símbolo del cubo de basura tachado se marca sobre todos los productos para recordar al consumidor la obligación de separarlos para la recogida selectiva.

El consumidor debe contactar con la autoridad local o con el vendedor para informarse en relación a la correcta eliminación de su electrodoméstico viejo.

Ahorro energético y respeto del medio ambiente

- Escurrir las prendas para eliminar el exceso de agua antes de secar con calor (si utiliza una lavadora primero, seleccione un ciclo de centrifugado alto). Hacer esto ahorrará tiempo y energía durante el secado.
- Seque siempre cargas completas – de esta forma ahorrará energía: una sola prenda o las cargas pequeñas tardan más tiempo en secarse.
- Limpie el filtro cada vez que utilice la secadora a fin de reducir el gasto energético (*véase Mantenimiento*).

Mantenimiento y cuidados

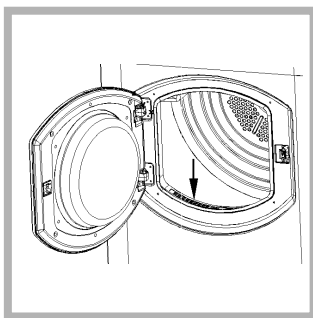
E

Desconectar la electricidad

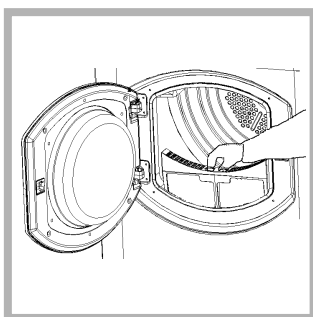
Desenchufe la secadora mientras no la esté utilizando, cuando la limpie y durante los trabajos de mantenimiento.

Limpiar el filtro después de cada ciclo

El filtro es una pieza importante de la secadora: acumula las pelusas y los hilos que se forman mientras se seca la ropa. Las prendas pequeñas también pueden quedar atrapadas en el filtro. Cuando termine de secar, por lo tanto, limpie el filtro aclarándolo debajo del grifo o con la aspiradora. Si el filtro se obstruye, el flujo de aire en el interior de la secadora se verá seriamente afectado: los tiempos de secado se alargarán y consumirá más energía. Asimismo, podría ocasionar daños a la secadora.



El filtro se encuentra delante del remate de la secadora (*véase el diagrama*).



Quitar el filtro:
1. Tire del asa de plástico del filtro hacia arriba (*véase el diagrama*).
2. Limpie el filtro y vuélvalo a colocar correctamente. Asegúrese que el filtro se ha colocado completamente a ras con el remate de la secadora.

¡ No utilice la secadora sin haber colocado el filtro.

Comprobar el tambor después de cada ciclo

Girar el tambor manualmente para retirar las prendas pequeñas (pañuelos) que pudieran dejarse atrás.

Limpieza del tambor

¡ No utilice productos de limpieza abrasivos, lana de acero o acero inoxidable para limpiar el tambor.

Es posible que comience a formarse una capa de color en el tambor de acero inoxidable, esto puede deberse a la combinación de agua y, o, productos de limpieza como suavizante de ropa. Esta capa de color no afecta el rendimiento de la secadora.

Limpieza

- Las piezas externas de metal, plástico o goma pueden limpiarse con un paño húmedo.
- Compruebe periódicamente el tubo de ventilación y cualquier accesorio de ventilación permanente con objeto de asegurar que no se hayan acumulado pelusas o hilos, y retirarlos.
- Retire los hilos que se recojan alrededor del filtro y de los respiraderos de salida.

¡ No utilice disolventes ni abrasivos.

¡ La secadora utiliza cojinetes de componentes especiales que no necesitan lubricarse.

¡ Revise la secadora periódicamente por técnicos autorizados a fin de asegurar la seguridad eléctrica y mecánica de la misma (*véase Servicio*).

Si un día la secadora deja de funcionar. Antes de llamar al Centro de Servicio Técnico (*véase Servicio*), realice las siguientes comprobaciones:

E**Problema:****Posibles causas / Solución:****La secadora no se pone en marcha.**

- El enchufe no está enchufado en la toma, o no hace contacto.
- Ha habido un fallo de potencia.
- El fusible se ha fundido. Pruebe a enchufar otro electrodoméstico en la toma.
- ¿Está utilizando un cable alargador? Pruebe enchufar el cable de alimentación directamente en la toma.
- ¿Está la puerta bien cerrada?
- El PROGRAMADOR no se ha ajustado correctamente (*véase Comienzo y Programas*).
- No se ha pulsado el botón de INICIO (*véase Comienzo y Programas*).

No comienza el ciclo de secado.

- Ha ajustado un tiempo con demora (*véase Comienzo y Programas*).

Tarda mucho tiempo en secar.

- No se ha limpiado el filtro (*véase Mantenimiento*).
- El ajuste de temperatura no es ideal para el tipo de tejido que está secando (*véase Comienzo y Programas*).
- Los programas automáticos precisan un ajuste de temperatura de MUCHO calor (*véase Comienzo y Programas*).
- No se ha seleccionado el programa correcto para la carga (*véase Comienzo y Programas*).
- El tubo de ventilación flexible está obstruido (*véase Instalación*).
- El respiradero de entrada de aire está obstruido (*véase Instalación*).
- La portezuela de ventilación permanente en la cubierta está obstruida (*véase Instalación*).
- Las prendas no estaban mojadas (*véase La colada*).
- La secadora está demasiado cargada (*véase La colada*).

Servicio

E

Antes de llamar al centro de servicio técnico:

- Utilice la guía de resolución de problemas para ver si puede resolver el problema usted mismo (*véase Resolución de problemas*).
- Si no es así, desconecte la secadora y llame al Centro de servicio técnico más cercano.

Qué información debe facilitar al centro de servicio técnico:

- nombre, dirección y código postal.
- número de teléfono.
- el problema.
- la fecha de compra.
- el modelo del electrodoméstico (Mod.).
- el número de serie (N/S).

Esta información puede encontrarse en la placa identificativa en el interior de la puerta de la máquina.

Piezas de repuesto

Esta secadora es una máquina compleja. Si intenta repararla usted mismo o una persona no autorizada puede ocasionar daños a la secadora, además de invalidar la garantía de piezas de repuesto. Llame a un técnico autorizado si experimenta algún problema cuando utilice la máquina. Las piezas de repuesto han sido exclusivamente diseñadas para este electrodoméstico y no para ningún otro uso.



Este electrodoméstico cumple las siguientes directivas de la CEE:
- 2006/95/CEE (Equipos de bajo voltaje)
- 89/336/CEE, 92/31/CEE y 93/68/CEE (Compatibilidad electromagnética)

Folheto de instruções

MÁQUINA DE SECAR ROUPA

GB

English, 1

E

Español, 14

P

Português, 27

P

AS600V

Índice

Informações Importantes, 28

Instalação, 29-30

Onde colocar a sua máquina de secar roupa
Ventilação
Ligação eléctricas
Antes de iniciar a utilização da sua máquina de secar roupa

Descrição da máquina, 31

Painel frontal
Painel traseiro
Painel de controlo

Arranque e programas, 32-33

Escolher um programa
Tabela de programas

Roupa, 34-35

Escolher a sua roupa
Etiquetas de cuidado na lavagem
Peças delicadas
Tempos de secagem

Avisos e Sugestões, 36

Segurança geral
Eliminação
Poupança de energia e respeito pelo ambiente

Manutenção e cuidado, 37

Desligar a electricidade
Limpar o filtro depois de cada ciclo
Verificar o tambor depois de cada ciclo
Limpar a máquina

Resolução de problemas, 38

Reparações, 39

Peças sobressalentes

! Tenha este folheto de instruções à mão para consultá-lo sempre que necessário. Leve-o consigo se mudar de casa e, caso venda este aparelho, passe o folheto ao novo proprietário, de modo a certificar-se de que este folheto permanece com o equipamento e de que o novo proprietário pode estar informado acerca dos avisos e sugestões sobre o respectivo funcionamento.

! Leia cuidadosamente as instruções; as páginas que se seguem contêm informações importantes acerca da instalação, bem como sugestões sobre o funcionamento da máquina.

 **ARISTON**

Informações Importantes

P

Para que a sua secadora com ventilação funcione de forma eficaz, deve seguir o plano de manutenção regular que se segue:

Filtro...

! DEVE limpar o filtro no final de CADA ciclo de secagem.

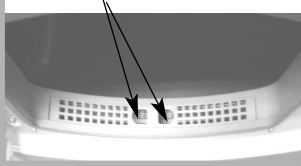
PASSO 1.

Abra a porta da secadora.



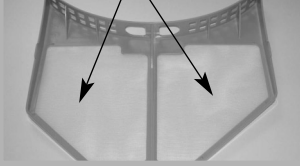
PASSO 2.

Puxe o filtro para fora (utilizando as reentrâncias para os dedos).



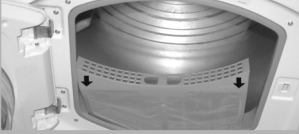
PASSO 3.

Limpe os depósitos de algodão da quadrícula do filtro.



PASSO 4.

Instale novamente o filtro.
- Certifique-se de que as setas estão voltadas para si.



PASSO 5.

Certifique-se de que o filtro está completamente encaixado na respectiva posição. - NUNCA utilize a secadora sem o filtro correctamente instalado.



! Não limpar no final de CADA ciclo de secagem afecta o desempenho da sua máquina.

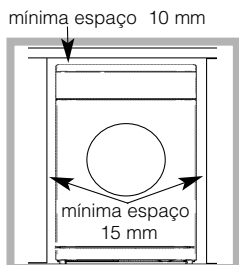
- Demorará mais tempo a secar e, como resultado, gastará mais energia durante a secagem.

! DEVE limpar a acumulação de algodão em torno do compartimento do filtro e o tubo de ventilação periodicamente, a CADA dois meses:

- Verifique o tubo de ventilação e quaisquer acessórios de ventilação permanentes para garantir que não existe acumulação de algodão e limpe-os se necessário.
- Retire os vestígios de algodão acumulados em torno do filtro e das ventilações de saída.

Onde colocar a sua máquina

- Instale a sua máquina a alguma distância de ligações de gás, fogões, aquecedores e placas de cozinha, uma vez que as chamas podem danificar o aparelho.



- Se pretende instalar o aparelho por baixo de uma bancada ou de um balcão, não se esqueça de deixar um espaço de 10 mm entre a bancada e quaisquer objectos ou acima do tampo da máquina e um espaço de 15 mm entre as partes

laterais da máquina e mobiliário ou paredes. Assegura assim a correcta circulação do ar. Certifique-se de que as ventilações posteriores não ficam obstruídas.

- Certifique-se de que coloca a sua máquina num ambiente que não seja húmido e de que existe uma ventilação adequada. A secadora não funciona em perfeitas condições se encerrada no espaço fechado ou armário.

! Não recomendamos a instalação da secadora num armário, mas o aparelho nunca deve ser instalado por trás de uma porta que se possa trancar, uma porta deslizante ou com uma dobradiça instalada no lado oposto à porta da máquina.

Ventilação

A Secadora seca a sua roupa sugando ar fresco, limpo e relativamente seco para o interior, aquecendo-o e, em seguida, distribuindo-o pelas peças de roupa enquanto giram suavemente. Para um melhor desempenho, o ar húmido é depois expelido através de um tubo de ventilação no painel traseiro da máquina. Quando a secadora estiver em utilização, tem de existir uma ventilação adequada, de modo a evitar o fluxo traseiro de gases no espaço devido a gases de combustão de outros aparelhos, incluindo chamas.

Ventilação móvel

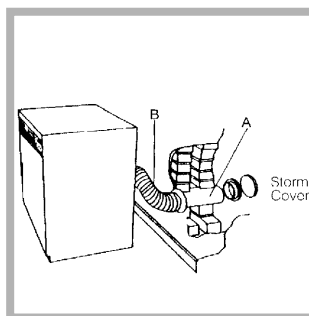
Um tubo de ventilação deve ser sempre instalado quando a secadora estiver a ser utilizada em conjunto com a Ventilação Móvel. O tubo deve ser instalado no painel traseiro da máquina (*ver Descrição da máquina de secar roupa*). Se possível, é sempre melhor ligar o tubo a uma saída permanente perto da secadora. Se não for possível uma instalação permanente, a secadora irá funcionar igualmente bem com o tubo a passar por uma janela entreaberta.

! Certifique-se de que a extremidade do tubo não está directamente voltada para a ventilação de entrada no painel posterior da secadora.

! O tubo de ventilação não deve exceder os 2,4 metros de comprimento, que deve manter-se isento de cotão, restos de linho e água, o que pode fazer agitando o tubo frequentemente. Certifique-se de que o tubo não é esmagado/obstruído.

Ventilação permanente

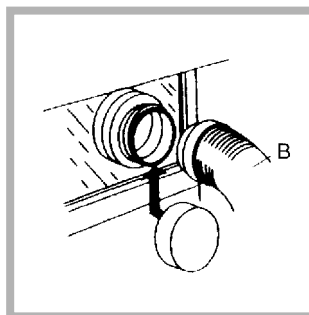
Em conjunto com o tubo de ventilação, recomendamos a utilização de um Kit de Ventilação de Parede/Janela, à venda nas lojas da especialidade ou no Representante de Peças Sobressalentes mais próximo.



Montagem de parede

1. Deixe uma abertura na parede, à esquerda da posição proposta para a instalação da secadora.
2. Mantenha o tubo o mais curto e o mais direito possível para evitar a acumulação de humidade condensada na secadora.

3. De forma semelhante, a conduta de parede deve estar inclinada para baixo, na direcção da saída.



Montagem de janela

1. Com uma secadora empilhada, o orifício na janela deve ser feito, idealmente, por baixo da ventilação.
2. O tubo deve ser o mais curto possível.

Dependendo da frequência com que utiliza a sua secadora, é essencial que as áreas A e B sejam verificadas periodicamente para retirar restos de fibras e resíduos. O adaptador do tubo de ventilação deve ser encaixado firmemente, evitando assim que qualquer ar húmido seja emitido no espaço onde está instalada a máquina.

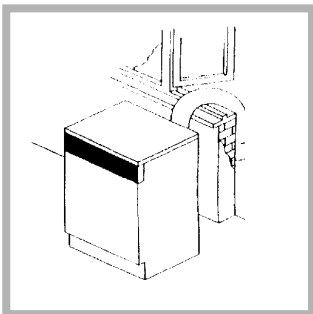
! A secadora não deve ser empurrada para trás de forma a que o adaptador do tubo saia da sua posição ou de forma a que o tubo seja esmagado ou dobrado.

! O tubo deve ficar desimpedido da entrada de ar e devem evitar-se instalações dobradas ou em 'U', uma vez que estas configurações provocam obstruções no tubo e a condensação.

Instalação

P

Ventilação de janela aberta



A extremidade do tubo deve ficar voltada para baixo, para evitar a condensação de ar húmido quente no espaço de instalação ou na própria máquina.

! Certifique-se de que a secadora está adequadamente ventilada e de que a extremidade do tubo de ventilação não está voltado na direcção da conduta de entrada.

! O tubo de ventilação deve ser sempre instalado de modo a garantir um óptimo desempenho.

! Certifique-se de que o tubo de ventilação e as entradas de ar não estão obstruídas ou bloqueadas.

! A secadora não deve reciclar ar de escape.

! A utilização indevida da secadora pode dar origem aa incêndios.

! Não descarregue o ar de escape num tubo de chaminé, que seja utilizado para o escape de fumos de outros equipamentos que queimem gás ou outros combustíveis.

! Não descarregar o ar de escape num sistema de extracção ou em qualquer conduta de ar com uma ventoinha de extracção. Este procedimento afecta a forma como os controlos térmicos funcionam e pode resultar em risco de incêndio.

Ligações eléctricas

Certifique-se do seguinte antes de introduzir a ficha numa tomada de corrente eléctrica:

- A tomada tem de ter ligação à terra.
- A tomada deve ter capacidade para suster a potência máxima de máquinas, que está indicada na chapa de classificação (*ver Descrição da máquina de secar*).
- A tensão deve encontrar-se dentro dos valores indicados na chapa de classificação (*ver Descrição da máquina de secar*).
- A tomada deve ser compatível com a ficha da máquina. Se não for este o caso, substitua a ficha ou a tomada.

! A secadora não deve ser instalada ao ar livre, mesmo que seja num espaço abrigado. Pode ser extremamente perigosa a exposição à chuva ou tempestades.

! Depois de instalada, a cablagem eléctrica e ficha da máquina deve estar facilmente alcançável.

! Não utilize cabos de extensão.

! O cabo de alimentação não deve ser dobrado ou pisado.

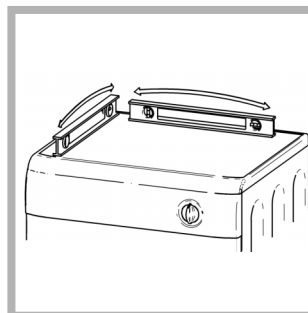
! O fio de alimentação eléctrica deve ser verificado periodicamente e substituído por um fio preparado especialmente para esta secadora, apenas por técnicos autorizados (*ver Reparções*). Fios de alimentação novos ou mais longos são fornecidos sem custos adicionais por representantes autorizados.

! O fabricante recusa qualquer responsabilidade caso estas regras não seja seguidas.

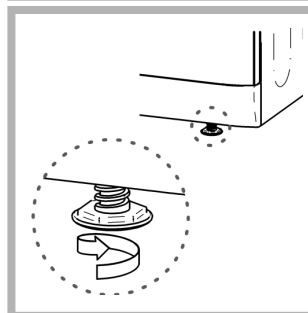
! Se tiver dúvidas sobre o mencionado acima consulte um electricista qualificado.

Nivelar a sua secadora

A secadora deve ser instalada de forma nivelada para que funcione correctamente.



Quando instalar a sua secadora na localização final, verifique se está nivelada em cada um dos lados e, depois, à frente e atrás.



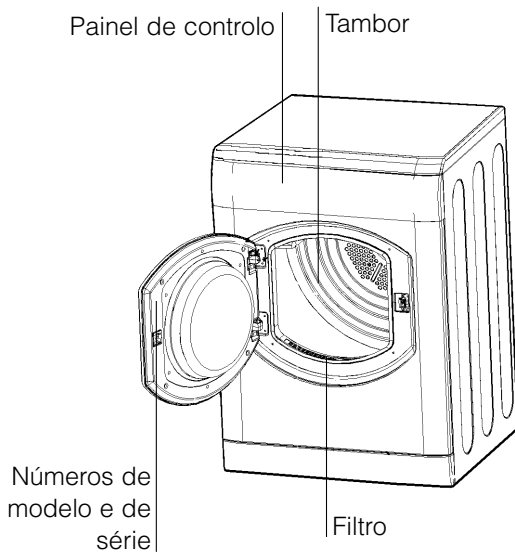
Se a secadora não estiver nivelada, utilize um bloco de madeira para suportá-la enquanto ajusta os dois pés da frente para cima ou para baixo até a secadora estar nivelada.

Antes de iniciar a utilização da sua máquina de secar roupa

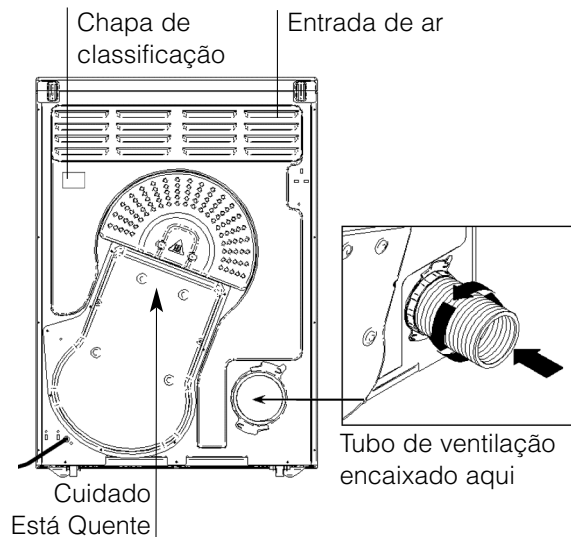
Depois de instalar a sua máquina e antes de iniciar a sua utilização, limpe o interior do tambor para remover qualquer pó que se tenha acumulado durante o transporte.

Descrição da máquina de secar

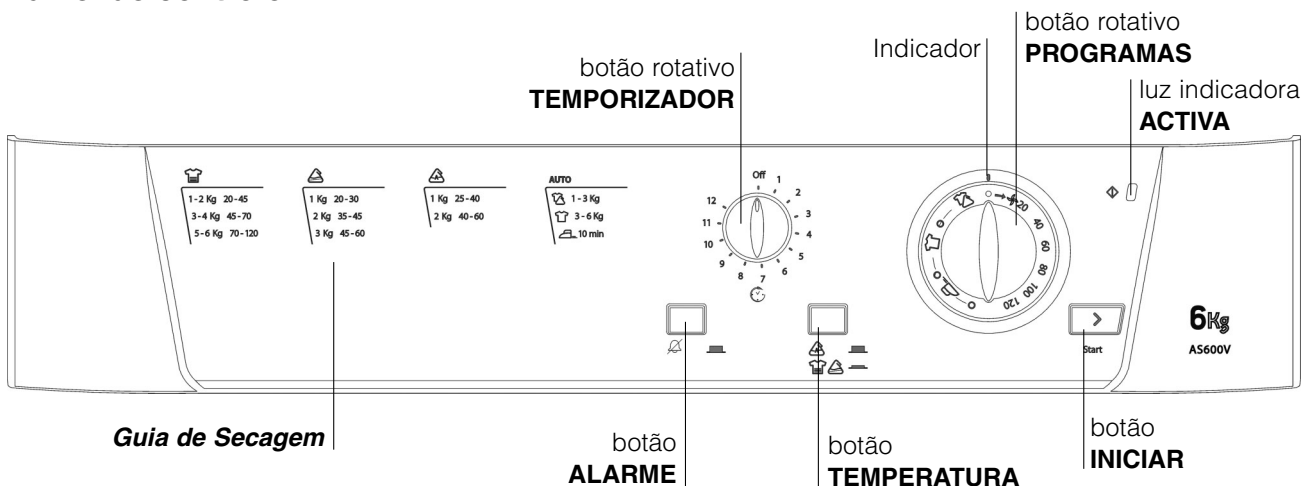
Painel frontal



Painel traseiro



Painel de controlo



O botão **INICIAR** > inicia a secagem num programa seleccionado (ver *Arranque e Programas*).

O botão **TEMPERATURA** selecciona a temperatura de secagem (ver *Arranque e Programas*).

PARA FORA: Temperatura BAIXA
PARA DENTRO: Temperatura ELEVADA

O indicador **ALARME** indica o fim de um ciclo de lavagem.

PARA DENTRO: Alarme LIGADO
PARA FORA: Alarme DESLIGADO

A luz indicadora **ACTIVA** indica que a secadora está em utilização. Esta luz acende-se quando o botão INICIAR é pressionado. Permanece acesa até que a porta seja aberta ou que a máquina seja desligada. Esta luz acende-se durante um programa de arranque atrasado.

O **Guia de Secagem** permite a consulta de uma tabela de utilização fácil, com a descrição dos tipos de tecidos e as capacidades de carga.

O botão rotativo **TEMPORIZADOR** define um atraso no tempo de arranque da máquina. Rode-o da esquerda para a direita até atingir o número de horas que pretende atrasar a hora de arranque da máquina. Se rodar o botão em demasia, rode o botão da direita para a esquerda (ver *Arranque e Programas*).

O botão rotativo **PROGRAMAS** define o programa: rode-o da esquerda para a direita e **nunca da direita para a esquerda**, até que o indicador esteja a apontar para o programa que pretende seleccionar (ver *Arranque e Programas*).

Arranque e Programas

P

Escolher um programa

1. Ligue a secadora a uma tomada de corrente eléctrica.
2. Escolha a sua roupa de acordo com o tipo de tecido (*ver Roupa*).
3. Abra a porta e certifique-se de que o filtro está limpo e bem colocado (*ver Manutenção*).
4. Carregue a máquina e certifique-se de que nenhuma peça fica presa no fecho da porta. Feche a porta.
5. Escolha o programa de secagem após consulta da tabela de Programas (*ver Programas*), bem como as indicações para cada tecido (*ver Roupa*).
 - Defina a temperatura com o botão TEMPERATURA.
 - Seleccione um programa ou um tempo de secagem rodando o botão PROGRAMAS da esquerda para a direita.
6. Se necessário, defina um tempo de atraso utilizando o botão TEMPORIZADOR.
7. Se pretende eliminar o sinal de alarme, pressione o botão ALARME.
8. Pressione o botão INICIAR para começar. A luz indicadora de SECAGEM acende-se e permanece acesa, mesmo durante o atraso. A luz indicador permanece acesa até abrir a porta da secadora. Durante o programa de secagem, pode verificar a sua roupa e retirar peças que já estejam secas enquanto as restantes continuam a secar. Quando fechar novamente a porta, prima o botão INICIAR de modo a retomar a secagem.
9. Cerca de 10 minutos antes do programa estar concluído, entra na fase de ROTAÇÃO A FRIO (os tecidos são arrefecidos), que deve ser sempre concluída.
10. O alarme indica a conclusão da secagem. Abra a porta, retire a roupa, limpe o filtro e coloque-o novamente (*ver Manutenção*).
11. Desligue a secadora.

Arranque e Programas

Programas

Programa	O que faz...	Como defini-lo...	Nota:
Secagem automática (cargas médias)	Seca completamente: as suas roupas ficam prontas a vestir. Para cargas médias (de 1 a 3 kg) de algodão , poli-algodão ou sintéticos .	1. Seleccione TEMP. ELEVADA premindo o botão TEMPERATURA. 2. Posicione o botão PROGRAMAS em . 3. Pressione o botão INICIAR > , a LUZ activa acende-se.	! Se seleccionar TEMP. BAIXA, este programa não seca as suas roupas. Para Fibras Acrílicas ou pequenas cargas, seleccione Secagem Temporizada. Este programas também pode ser utilizado para cargas maiores se pretender um resultado ligeiramente seco.
Secagem automática (cargas grandes)	Seca completamente: as suas roupas ficam prontas a vestir. Para cargas grandes (de 3 a 6 kg) de algodão.	1. Seleccione TEMP. ELEVADA premindo o botão TEMPERATURA. 2. Posicione o botão PROGRAMAS em . 3. Pressione o botão INICIAR > , a luz ACTIVA acende-se.	! Se seleccionar TEMP. BAIXA, este programa não seca as suas roupas. Para Fibras Acrílicas ou pequenas cargas, seleccione Secagem Temporizada. Este programas também pode ser utilizado para cargas maiores se pretender um resultado mais húmido.
Engoma fácil	Programa breve (aproximadamente 10 minutos), que suaviza as fibras prontas a passar a ferro.	1. Seleccione TEMP. ELEVADA premindo o botão TEMPERATURA. 2. Posicione o botão PROGRAMAS em . 3. Pressione o botão INICIAR > , a luz ACTIVA acende-se.	! Este não é um programa de secagem (<i>ver em seguida</i>).
Secagem temporizada até 120 minutos	Seca roupas molhadas que vão ser passadas a ferro, fibras acrílicas ou cargas pequenas (inferiores a 1 kg). Se preferir que um programa temporizado possa ser utilizado com outros tecido nas temperaturas ELEVADA ou BAIXA (<i>ver Roupa</i>).	1. Seleccione a temperatura pretendida, TEMP. ELEVADA ou TEMP. BAIXA premindo o botão TEMPERATURA. 2. Posicione o botão PROGRAMAS no tempo pretendido. 3. Pressione o botão INICIAR > , a luz ACTIVA acende-se.	Consulte os tempos de secagem sugeridos (<i>ver Roupa</i>).
Rotação a frio	Utilizar para refrescar as fibras de peças de roupa (cerca de 10 minutos).	1. Posicione o botão PROGRAMAS em . 2. Pressione o botão INICIAR > , a LUZ activa acende-se.	! Este não é um programa de secagem (<i>ver em seguida</i>).

Fase de Rotação a Frio

Esta é a fase final do programa. Cerca de 10 minutos antes de acabar, o botão avança automaticamente para a Fase de Rotação a Frio. Os elementos de aquecimento desligam-se automaticamente e a roupa é arrefecida; em seguida, é emitido um sinal sonoro (se seleccionado) e a roupa está pronta para ser retirada.

! Permitir sempre que a secadora conclua esta fase.

Programa Engoma fácil

O 'Engoma fácil' é um programa breve de 10 minutos (8 minutos de calor, seguidos de 2 minutos de um período de rotação a frio), que ventila as fibras das roupas que foram deixadas na mesma posição/Local durante um período de tempo prolongado. O ciclo relaxa as fibras e facilita a passagem a ferro.

! O 'Engoma fácil' **não é um programa de secagem** e não deve ser utilizado com peças de roupa molhadas.

Para obter os melhores resultados:

1. Não carregue mais do que a capacidade máxima.

Estes números referem-se ao peso em seco:

Tecido	Carga máxima
Algodão e Misturas de algodão	2,5 kg
Sintéticos	2 kg
Gangas	2 kg

2. Descarregue a secadora imediatamente após o fim do programa, pendure, dobre ou engome as peças de roupa e guarde-as no armário. Caso isto não seja possível, repita o programa.

O efeito 'Engoma fácil' varia de tecido para tecido. Funciona bem com tecidos tradicionais como algodão e misturas de algodão e menos bem em fibras acrílicas e em materiais como Tencel®.

Roupa

P

Escolher a sua roupa

- Consulte os símbolos nas etiquetas das roupas, de modo a certificar-se de que os artigos podem ser utilizados na secadora.
- Escolha a roupa por tipo de tecido.
- Esvazie os bolsos e verifique os botões.
- Feche os fechos de correr e desaperte cintos e correias.
- Torça cada peça de modo a eliminar o máximo de água possível.

! Não carregue peças a pingar na secadora.

Carga máxima

Não carregue mais do que a capacidade máxima.

Estes números referem-se ao peso em seco:

Fibras naturais: 6 kg máx.

Fibras sintéticas: 3 kg máx.

! NÃO sobrecarregue a máquina, uma vez que pode resultar num desempenho de secagem reduzido.

Carga típica

Nota: 1kg = 1000g

Roupas		
Blusa	de algodão	150 g
	Outros	100 g
Vestido	de algodão	500 g
	Outros	350 g
Calças de ganga		700 g
10 fraldas		1000 g
Camisa	de algodão	300 g
	Outros	200 g
T-Shirt		125 g





Peças domésticas		
Capa de edredão em (Duplo)	algodão	1500 g
	Outros	1000 g
Toalha de mesa grande		700 g
Toalha de mesa pequena		250 g
Pano de cozinha		100 g
Toalhão de banho		700 g
Toalha de rosto		350 g
Lençol de banho		500 g
Lençol (solteiro)		350 g

No fim de um ciclo de secagem, os algodões ainda devem estar húmidos caso tenha agrupado algodões e sintéticos. Se isto acontecer, basta aplicar mais um breve período de secagem.


- **Nota:** Nos últimos 10 minutos de cada período de tempo, procede-se à secagem a frio; tenha em consideração esta função ao definir o tempo, uma vez que este período não seca a sua roupa.

Etiquetas de cuidado na lavagem

Observe as etiquetas nas suas peças de roupa, especialmente se está a utilizar a secadora pela primeira vez. Os símbolos que se seguem são os mais comuns:

-  Pode ser seco na máquina
-  **Não** pode ser seco na máquina
-  Seque com a temperatura máxima
-  Seque com a temperatura mínima

Peças não adequadas para secagem na máquina

- Artigos que contenham borracha ou materiais tipo borracha ou películas de plástico (almofadas ou material em PVC), quaisquer artigos inflamáveis ou objectos que contenham substâncias inflamáveis (toalhas vaporizadas com laca de cabelo).
- Fibras de vidro (alguns tipos de reposteiros)
- Artigos que tenham sido limpos a seco
- Itens com o código ITCL  (*ver Peças delicadas*). Podem ser limpos com produtos de limpeza a seco domésticos. Siga as instruções cuidadosamente.
- Peças volumosas (colchas, sacos-cama, almofadas, cobertas grandes, etc). Estes artigos expandem-se e podem impedir o fluxo de ar no interior da secadora.

Peças delicadas









Cobertores e cobertas de cama: artigos em acrílico (Acilan, Courtelle, Orion, Dralon) **devem ser secos** com especial cuidado com um TEMPERATURA BAIXA. Evite secar por um longo período de tempo.

Peças pregueadas ou enrugadas: leia as instruções de secagem do fabricante da peça.

Artigos com goma: não seque estes artigos com peças sem goma. Certifique-se de que retira o máximo da solução de goma da carga antes de colocá-la na secadora. Não seque em demasiado: a goma transforma-se em pó e deixa a sua roupa mole, eliminando o propósito da goma.

Tempos de secagem

O quadro que se segue apresenta os tempos de secagem APROXIMADOS em minutos. Os pesos referem-se a artigos secos:

Algodões  					
Temperatura Máxima 					
Tempos de secagem de 800-1000rpm na máquina de lavar					
		Metade da carga			Carga completa
1 kg	2 kg	3 kg	4 kg	5 kg	6 kg
20-30	35-45	45-60	60-70	70-80	80-100
Sintéticos 					
Temperatura Máxima 					
Tempos de secagem em centrifugação reduzida na máquina de lavar					
		Metade da carga		Carga completa	
1 kg	2 kg		3 kg		
20-30	35-45		45-60		
Acrílicos  					
Temperatura Baixa (suave) 					
Tempos de secagem em centrifugação reduzida na máquina de lavar					
Metade da carga				Carga completa	
1 kg				2 kg	
25-40				40-60	

Estes tempos são aproximados e podem variar dependendo de:


- Quantidade de água mantida nas roupas após o ciclo de centrifugação: as toalhas e peças delicadas retêm muita água.
 - Tecidos: artigos que sejam do mesmo tipo de tecido, mas que sejam de texturas e espessuras diferentes poderão não ter o mesmo tempo de secagem.
 - Quantidade de roupa: artigos únicos ou pequenas cargas podem demorar mais tempo a secar.
 - Secagem: Se pretender engomar algumas das suas roupas, podem ser retiradas da máquina ainda um pouco húmidas. As restantes poderão ficar mais tempo, se precisar delas completamente secas.
 - Definição de temperatura.
 - Temperatura ambiente: se o espaço em que a máquina está instalada estiver frio, poderá demorar mais tempo a secar as suas roupas.
 - Volumes: alguns artigos mais volumosos devem ser secos na máquina com cuidado. Sugerimos que remova estes artigos várias vezes, sacuda-os e volte a colocá-los na máquina até que estejam completamente secos.
- !** Não seque em demasiado as suas roupas. Todos os tecidos contêm um pouco de humidade natural, que os mantêm suaves e macios.

Avisos e Sugestões

P

! O equipamento foi concebido e construído de acordo com normas de segurança internacionais. Estes avisos são apresentados por razões de segurança e devem ser seguidos minuciosamente.

Segurança Geral

- Esta secadora não se destina à utilização por pessoas (incluindo crianças) com capacidades físicas, sensoriais ou mentais reduzidas ou com falta de experiência ou conhecimento, a menos que tenham supervisão ou instruções quanto à utilização do aparelho por parte de uma pessoa responsável pela sua segurança.
- Esta secadora foi concebida para utilização doméstica e não utilização profissional.
- Não toque no equipamento com os pés descalços, nem com as mãos ou pés molhados.
- Desligue a máquina retirando a ficha e não puxando o fio.
- As crianças não devem aproximar-se da secadora durante a sua utilização. Depois da utilização da secadora, desligue-a no botão e da corrente eléctrica. Mantenha a porta fechada de modo que as crianças não utilizem a máquina como um brinquedo.
- As crianças não devem ser deixadas sozinhas para se garantir que não brincam com a secadora.
- O aparelho deve ser instalado correctamente com a ventilação adequada. As entradas de ar por trás da máquina, as ventilações de saída e o tubo de ventilação nunca devem ser obstruídas (*ver Instalação*).
- Nunca dirija a saída do tubo de ventilação na direcção da entrada de ar, na parte posterior da máquina.
- Nunca permita que a secadora recicle o ar de escape.
- Nunca utilize a secadora em carpetes, cuja altura impeça o ar de entrar na secadora a partir da base.
- Verifique se a secadora está vazia antes de carregá-la.
-  O painel traseiro da secadora pode ficar muito quente. Nunca toque neste painel durante a utilização.
- Não utilize a secadora sem que o filtro esteja correctamente instalado (*ver Manutenção*).
- Não utilize amaciador líquido na sua máquina de secar; adicione-o ao enxaguamento final da sua máquina de lavar.
- Não sobrecarregue a secadora (*ver Roupa*) para além das cargas máximas.
- Não carregue peças que estejam a pingar.
- Seque apenas artigos que tenham sido lavados com água e detergente, enxaguados e centrifugados. Existe um risco de incêndio se secar peças que NÃO tenham sido lavadas com água.
- Verifique cuidadosamente todas as instruções nas etiquetas das roupas (*ver Roupa*).
- Não seque peças de vestuário que tenham sido tratadas com produtos químicos.
- Nunca seque artigos contaminados com substâncias inflamáveis (óleo de culinária, acetona, álcool, Gasolina, querosene, tira-nódoas, turpentina, ceras, removedores de cera e lacas para o cabelo), a menos que lavados com água quente e com uma quantidade considerável de detergente extra.
- Não seque borracha, artigos com partes em borracha e peças de vestuário, almofadas com aplicações em borracha, espuma (espuma de látex), borracha, plástico, toucas de duche, têxteis impermeáveis,

- fraldas ou pensos descartáveis, polietileno ou papel.
- Não seque artigos grandes e muito volumosos.
- Não seque fibras acrílicas a altas temperaturas.
- Remova todos os objectos dos bolsos, em especial, isqueiros (risco de explosão).
- Complete cada programa com a respectiva Fase de rotação a frio.
- Não desligue a máquina quando ainda existirem artigos quentes no interior.
- Limpe o filtro após cada utilização (*ver Manutenção*).
- Não permita a acumulação de resíduos na secadora.
- Nunca suba para cima da secadora. Pode resultar em ferimentos.
- Siga sempre as normas e requisitos eléctricos (*ver Instalação*).
- Compre sempre peças sobressalentes e acessórios originais (*ver Reparação*).

! AVISO: Nunca parar a secadora antes do fim do ciclo de secagem, a menos que todos os artigos sejam rapidamente retirados e espalhados de modo a dissipar o calor.

Informações Acerca de Reciclagem e Eliminação de Resíduos




Como parte do nosso continuado empenho em ajudar o ambiente, reservamo-nos o direito de utilizar componentes de qualidade, de modo a manter os custos baixos para os clientes e minimizar o desperdício de material.

- Eliminação do material da embalagem: siga os regulamentos locais, de modo que a embalagem possa ser reciclada.
- De modo a minimizar o risco de lesões para crianças, remova a porta e a ficha e corte o fio eléctrico do aparelho. Elimine estas peças separadamente a fim de assegurar que o aparelho não possa mais ser ligado a uma tomada eléctrica.

Recolha dos electrodomésticos

A directiva Europeia 2002/96/CE referente à gestão de resíduos de aparelhos eléctricos e electrónicos (RAEE), prevê que os electrodomésticos não devem ser escoados no fluxo normal dos resíduos sólidos urbanos. Os aparelhos desactualizados devem ser recolhidos separadamente para otimizar a taxa de recuperação e reciclagem dos materiais que os compõem e impedir potenciais danos para a saúde humana e para o ambiente.

 O símbolo constituído por um contentor de lixo barrado com uma cruz deve ser colocado em todos os produtos por forma a recordar a

obrigatoriedade de recolha separada.

Os consumidores devem contactar as autoridades locais ou os pontos de venda para solicitar informação referente ao local apropriado onde devem depositar os electrodomésticos velhos.

Poupar energia e respeitar o ambiente

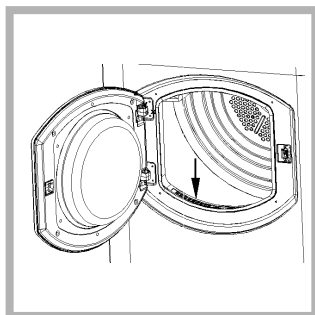
- Torça as peças de vestuário para eliminar o excesso de água antes de colocá-las na máquina de secar (se primeiro utilizar uma máquina de lavar, seleccione um ciclo de centrifugação elevado). Ao fazer isto, poupa tempo e energia durante a secagem.
- Seque sempre com cargas completas – assim, poupa energia: artigos únicos ou pequenas cargas podem demorar mais tempo a secar.
- Limpe o filtro após cada utilização para cortar nos custos de consumo de energia (*ver Manutenção*).

Desligar a electricidade

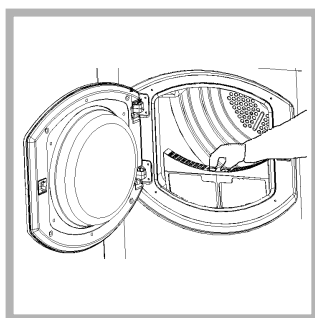
Desligue a secadora quando não estiver em utilização, durante tarefas de limpeza e durante todas as operações de manutenção.

Limpar o filtro depois de cada ciclo

O filtro é uma parte importante da sua secadora: acumula restos de fibras e resíduos que se formam durante a secagem. Pequenos objectos também podem ficar presos no filtro. Assim, após a secagem, limpe o filtro, lavando-o debaixo de água corrente ou limpe com o seu aspirador. Caso o filtro fique entupido, o fluxo de ar no interior da secadora fica seriamente comprometido: os tempos de secagem prolongam-se e consome mais energia. Também pode danificar a sua secadora.



O filtro encontra-se na grelha frontal da secadora (*ver diagrama*).



Remoção do filtro:
1. Puxe a pega de plástico do filtro para cima (*ver diagrama*).
2. Limpe o filtro e coloque-o novamente correctamente.
Certifique-se de que o filtro está completamente encaixado na grelha da máquina.

! Não utilize a máquina sem colocar novamente o filtro.

Verificar o tambor depois de cada ciclo

Rode o tambor manualmente, de modo a remover pequenos objectos (lenços) que podem ter ficado na máquina.

Limpar o tambor

! Não utilize agentes de limpeza de aço inoxidável ou palha de aço, abrasivos, para limpar o tambor.

É possível que uma película colorida comece a aparecer no tambor de aço inoxidável. Tal poderá ser causado por uma combinação de água e/ou agentes de limpeza como, por exemplo, amaciador de tecido da lavagem. Esta película colorida não afectará o desempenho do secador.

Limpeza

- As partes externas de metal ou em plástico e borracha podem ser limpas com um pano húmido.
- Verifique periodicamente o tubo de ventilação e qualquer ligação de ventilação permanente, de modo a certificar-se de que não existe acumulação de resíduos e remova-os.
- Remova os resíduos que se acumulam em torno do filtro e das ventilações de saída.

! Não utilize solventes nem produtos abrasivos.

! A sua secadora utiliza componentes de rolamentos especiais que não necessitam de lubrificação.

! Verifique a sua secadora regularmente por técnicos autorizados, de modo a certificar-se da segurança eléctrica e mecânica (*ver Reparação*).

Resolução de problemas

P

Um dia a sua máquina parece não querer funcionar. Antes de contactar o seu Centro de Serviços (*ver Reparação*), analise as seguintes sugestões de resolução de problemas:

Problema:

Causas possíveis / Solução:

A secadora não inicia.

- A ficha não está ligada à tomada, ou não está a fazer contacto.
- Ocorreu uma falha de energia.
- Há um fusível queimado. Experimente ligar outro aparelho à tomada.
- Está a utilizar um cabo de extensão? Experimente ligar o fio de alimentação da secadora directamente à tomada.
- A porta está bem fechada?
- O botão PROGRAMAS não foi posicionado correctamente (*ver Arranque e Programas*).
- O botão INICIAR não foi posicionado correctamente (*ver Arranque e Programas*).

O ciclo de secagem não inicia.

- Definiu um atraso do tempo (*ver Arranque e Programas*).

Demora muito tempo a secar

- O filtro não foi limpo (*ver Manutenção*).
- A definição de temperatura não é ideal para o tipo de tecido que está a secar (*ver Arranque e Programas*).
- Os programas automáticos requerem uma definição de temperatura EVELADA (*ver Arranque e Programas*).
- Não foi seleccionado o programa correcto para a carga (*ver Arranque e Programas*).
- O tubo de ventilação flexível está obstruído (*ver Instalação*).
- O tubo de entrada de ar está obstruído (*ver Instalação*).
- A portinhola de ventilação permanente está obstruída (*ver Instalação*).
- As peças estavam demasiado molhadas (*ver Roupa*).
- A secadora foi sobrecarregada (*ver Roupa*).

Antes de contactar o Centro de Serviços:

- Utilize o guia de resolução de problemas para ver se consegue resolver o problema (*ver Resolução de problemas*).
- Caso contrário, desligue a secadora e contacte o Centro de Serviço mais próximo.

O que dizer ao Centro de Serviço:

- nome, morada e código postal.
- número de telefone.
- o tipo de problema.
- a data de compra.
- o modelo do aparelho (Mod.).
- o número de série (S/N).

Estas informações podem ser encontradas na etiqueta de dados, no interior da porta da máquina.

Peças sobressalentes

Esta secadora é uma máquina complexa. Repará-la sozinha ou através de um técnico não autorizado pode provocar danos a uma ou mais pessoas, pode danificar a máquina e pode invalidar a garantia das peças sobressalentes. Contacte um técnico autorizado se tiver problemas durante a utilização da máquina. As peças sobressalentes foram concebidas exclusivamente para este equipamento e não se destinam a outras utilizações.

P

CE Este equipamento está em conformidade com as seguintes directivas da UE:
- 2006/95/EC (Equipamento de Baixa Tensão)
- 89/336/EEC, 92/31/EEC e 93/68/EEC (Compatibilidade Electromagnética)



195066574.00 W

10/2007 - SIMLEX . Four Ashes, Wolverhampton
