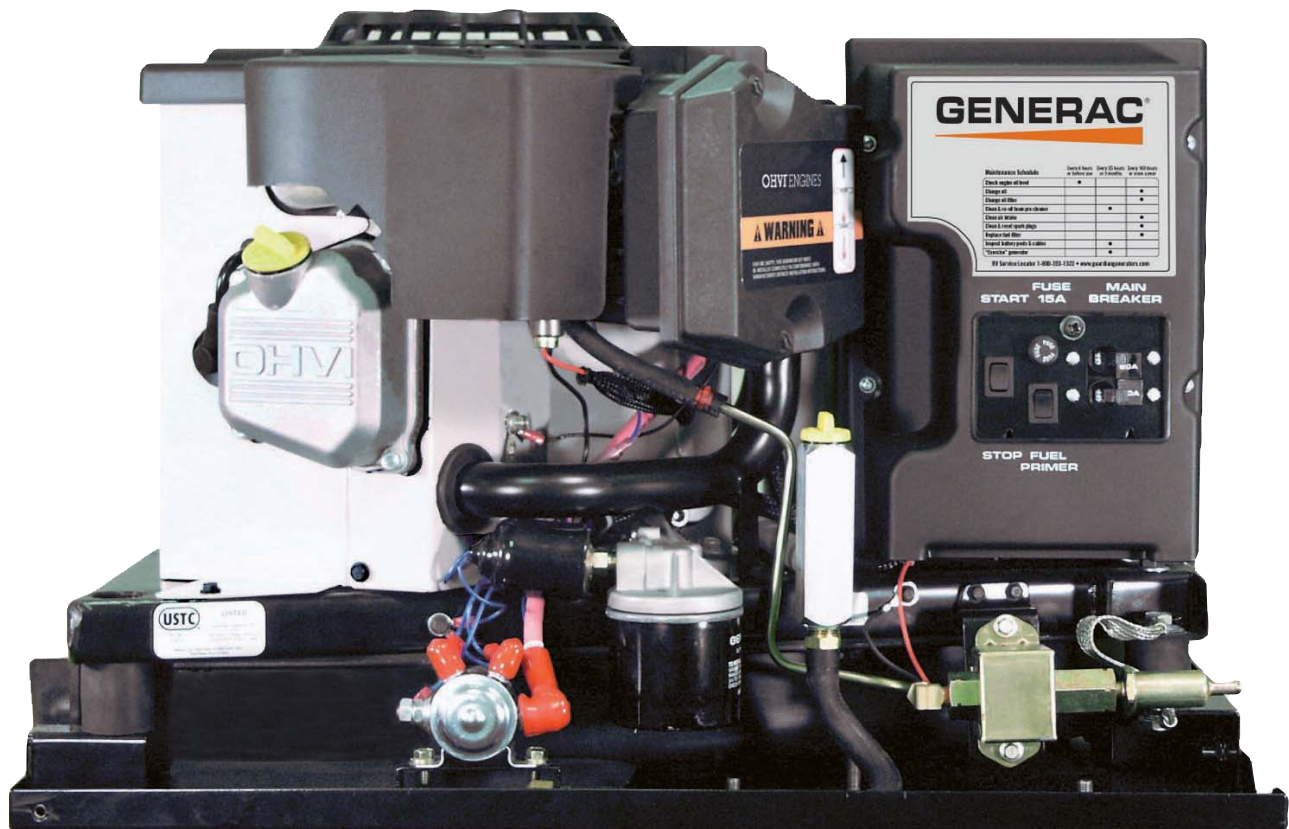


Owner's Manual and Installation Instructions

Air-cooled Recreational Vehicle Generators

- Model: 05754-0
PRIMEPACT 50
- Model: 04164-3
PRIMEPACT 50LP



INTRODUCTION

Thank you for purchasing this model manufactured by Generac Power Systems Inc. This model is designed and manufactured to supply electrical power for recreational vehicles.

◆ READ THIS MANUAL THOROUGHLY

If any portion of this manual is not understood, contact the nearest Authorized Service Dealer for starting, operating and servicing procedures.

Throughout this publication, and on tags and decals affixed to the generator, DANGER, WARNING, CAUTION and NOTE blocks are used to alert personnel to special instructions about a particular operation that may be hazardous if performed incorrectly or carelessly. Observe them carefully. Their definitions are as follows:



After this heading, read instructions that, if not strictly complied with, will result in serious personal injury, including death.



After this heading, read instructions that, if not strictly complied with, could result in serious personal injury, including death.




After this heading, read instructions that, if not strictly complied with, might result in minor or moderate injury.

NOTE:

After this heading, read instructions that, if not strictly complied with, may result in damage to equipment and/or property.

These safety warnings cannot eliminate the hazards that they indicate. Common sense and strict compliance with the special instructions while performing the service are essential to preventing accidents.

Four commonly used safety symbols accompany the DANGER, WARNING and CAUTION blocks. The type of information each indicates follows:

 **This symbol points out important safety information that, if not followed, could endanger personal safety and/or property of others.**

 **This symbol points out potential explosion hazard.**

 **This symbol points out potential fire hazard.**

 **This symbol points out potential electrical shock hazard.**

The operator (driver) is responsible for proper and safe use of the vehicle and its equipment, and the safety of all vehicle occupants. We strongly recommend that the operator read this manual and thoroughly understand all instructions before using this equipment. We also strongly recommend instructing other occupants in the vehicle to properly start and operate the generator. This prepares them if they need to operate the equipment in an emergency.

◆ CONTENTS

This manual contains pertinent owner's information, including warranty, electrical diagrams, exploded views and lists of repair parts for this generator model. In addition, the latter portion of this manual contains information necessary for the proper installation of these generators.

◆ OPERATION AND MAINTENANCE

It is the operator's responsibility to perform all safety checks, to make sure that all maintenance for safe operation is performed promptly, and to have the equipment checked periodically by an Authorized Service Dealer. Normal maintenance service and replacement of parts are the responsibility of the owner/operator and, as such, are not considered defects in materials or workmanship within the terms of the warranty. Individual operating habits and usage contribute to the need for maintenance service.

Proper maintenance and care of the generator ensures a minimum number of problems and keep operating expenses at a minimum. See an Authorized Service Dealer for service aids and accessories.

◆ HOW TO OBTAIN SERVICE

When the generator requires servicing or repairs, contact an Authorized Service Dealer for assistance. Service technicians are factory-trained and are capable of handling all service needs.

When contacting an Authorized Service Dealer about parts and service, always supply the complete model number and serial number of the unit as given on its data decal, which is located on the generator.

Model No. _____ Serial No. _____

AUTHORIZED SERVICE DEALER LOCATION

To locate the nearest AUTHORIZED SERVICE DEALER, please call this number:

1-800-333-1322

or locate us on the web at:

www.generac.com

Part I – Owner’s Manual

Introduction	Inside Front Cover
Read This Manual Thoroughly	IFC
Contents	IFC
Operation and Maintenance	IFC
How to Obtain Service	IFC
Authorized Service Dealer Locator Number	IFC
Safety Rules	2
Section 1 – General Information	4
1.1 Generator Identification	4
1.2 Generator Applicability	5
1.3 Safety	5
1.4 Generator AC Connection System	5
1.5 Specifications	5
1.6 Evaporative Emissions Information	7
1.7 Exhaust Emissions Information (Gasoline)	7
1.8 Exhaust Emissions Information (Propane)	7
Section 2 – Operation	8
2.1 Generator Control Panel	8
2.2 Optional Remote Start/Stop Panel	8
2.3 Automatic Choke (Gasoline Only)	8
2.4 Before Starting the Engine	9
2.5 Starting the Generator	9
2.6 Stopping the Generator	10
2.7 Applying Loads to Generator	10
2.8 Summer/Winter Heat Riser System	10
2.9 Protection Systems	11
2.10 Additional Information	12
Section 3 – Maintenance	12
3.1 Checking the Engine Oil Level	12
3.2 Changing the Engine Oil and/or Oil Filter	12
3.3 Maintaining the Engine Air Cleaner	13
3.4 Clean Air Intake	13
3.5 Checking the Engine Spark Plug	14
3.6 Fuel Filter (Gasoline Only)	14
3.7 Spark Arrestor Muffler	14
3.8 Cleaning the Generator	14
3.9 Battery Maintenance	15
3.10 Major Service Manual	15
3.11 Drive Belt	15
3.12 Exercising the Generator	15
3.13 Out of Service Procedure	16

Part II – Installation Instructions

Safety Rules	18
Notice to Installer	18
Section 1 – General Information	20
1.1 Purpose and Scope of the Manual	20
1.2 Safety	20
1.3 Standards Booklets	20
1.4 Equipment Description	20
1.5 Generator Engine Operating Speed	20
1.6 Generator AC Connection System	20
Section 2 – Installation	22
2.1 Location and Support	22
2.2 Generator Compartments	23
2.3 Cooling and Ventilating Air	25
2.4 Gasoline Fuel System	27
2.5 LP Gas Fuel System	28
2.6 Exhaust System	30
2.7 Electrical Connections	31
2.8 Battery Installation	32
2.9 Optional Accessories	34
Section 3 – Post-installation Start-up Adjustments	34
3.1 Post Installation Tests	34
3.2 Before Initial Start-up	34
3.3 Initial Start	34
3.4 Testing Under Load	35
3.5 Installation Checklist	36
Section 4 – Troubleshooting	37
Troubleshooting Guide	37
Section 5 – Electrical Data	38
Section 6 – Exploded Views and Parts Lists	40
Section 7 – Notes	54
Section 8 – Warranty	56



⚠️ SAVE THESE INSTRUCTIONS – The manufacturer suggests that these rules for safe operation be copied and posted in potential hazard areas of the recreational vehicle. Safety should be stressed to all operators and potential operators of this equipment. **⚠️**

**WARNING:**

The engine exhaust from this product contains chemicals known to the state of California to cause cancer, birth defects or other reproductive harm.

**WARNING:**

This product contains or emits chemicals known to the state of California to cause cancer, birth defects or other reproductive harm.

Study these SAFETY RULES carefully before installing, operating or servicing this equipment. Become familiar with this manual and with the unit. The generator can operate safely, efficiently and reliably only if it is properly installed, operated and maintained. Many accidents are caused by failing to follow simple and fundamental rules or precautions.

The manufacturer cannot possibly know of and advise the recreational vehicle trade of all conceivable methods, procedures or techniques by which to perform an installation. Nor can the manufacturer anticipate every possible hazard that might result from each installation method, procedure or technique. The manufacturer has not undertaken any such wide evaluation. Therefore, people who use a method, procedure or technique that the manufacturer does not specifically recommend must first completely satisfy themselves that their safety, the safety of the vehicle's occupants and the product's safety is not endangered by the method, procedure or technique selected.

Information, illustrations, specifications, etc., contained in these *Installation Instructions* are based on the latest information available at the time of publication. Every effort has been expended to be sure that such data is both accurate and current. However, the manufacturer reserves the right to change, alter or otherwise improve this product at any time without prior notice.

— **⚠️ DANGER ⚠️** —

⚠️ Despite the safe design of this generator, operating this equipment imprudently, neglecting its maintenance or being careless can cause possible injury or death. Permit only responsible and capable persons to operate or maintain this equipment.

⚠️ Potentially lethal voltages are generated by these machines. Ensure all steps are taken to render the machine safe before attempting to work on the generator.

⚠️ Parts of the generator are rotating and/or hot during operation. Exercise care near running generators.

⚠️ Generator exhaust gases contain DEADLY carbon monoxide gas. This dangerous gas, if breathed in sufficient concentrations, can cause unconsciousness or even death.

⚠️ GENERAL HAZARDS ⚠️

- For safety reasons, the manufacturer recommends that the installation, initial start-up and maintenance of this equipment is carried out by an Authorized Service Dealer.
- Keep hands, feet, clothing, etc., away from drive belts, fans, and other moving or hot parts. Never remove any drive belt or fan guard while the unit is operating.
- When working on this equipment, remain alert at all times. Never work on the equipment when physically or mentally fatigued.
- Inspect the generator regularly, and contact the nearest Authorized Service Dealer immediately for parts needing repair or replacement.
- Inspect the generator regularly, and contact the nearest Authorized Service Dealer immediately for parts needing repair or replacement.
- Before performing any maintenance on the generator, disconnect its battery cables to prevent accidental start up. Disconnect the cable from the battery post indicated by a NEGATIVE, NEG or (–) first. Reconnect that cable last.
- Never use the generator or any of its parts as a step. Stepping on the unit can stress and break parts, and may result in dangerous operating conditions from leaking exhaust gases, fuel leakage, oil leakage, etc.

⚠️ ENGINE EXHAUST HAZARDS ⚠️

- Generator engine exhaust contains DEADLY carbon monoxide, an odorless, colorless poisonous gas. Breathing carbon monoxide can cause: dizziness, throbbing temples, nausea, muscular twitching, headache, vomiting, weakness and sleepiness, inability to think clearly, fainting, unconsciousness or even death. If you experience any carbon monoxide poisoning symptoms, move into fresh air and immediately seek medical attention.
- Never operate the generator set with the vehicle inside any garage or other enclosed area.



- Adequate, unobstructed flow of cooling and ventilating air is critical for expelling toxic carbon monoxide gas and fuel vapors from the generator compartment and for proper generator operation. Without sufficient cooling airflow, deadly carbon monoxide gas can accumulate and the engine/generator may quickly overheat, causing serious damage to the generator. Do not operate the genset in any confined space.
- The exhaust system must be installed in accordance with the genset installation manual. Do not alter the installation or permit even partial blockage of ventilation systems, as this can seriously affect the safe and proper operation of the generator.
- Do not operate the generator if the exhaust system is leaking or has been damaged or if you have experienced carbon monoxide poisoning symptoms during use. Shut down the generator and do not operate it until it has been inspected and/or repaired.
- Never sleep in the vehicle while the genset is running unless the vehicle has a working carbon monoxide detector.

ELECTRICAL HAZARDS

- The generator covered by this manual produces dangerous electrical voltages and can cause fatal electrical shock. Avoid contact with bare wires, terminals, connections, etc., while the unit is running. Ensure all appropriate covers, guards and barriers are in place before operating the generator. If work must be done around an operating unit, stand on an insulated, dry surface to reduce shock hazard.
- Do not handle any kind of electrical device while standing in water, while barefoot, or while hands or feet are wet. DANGEROUS ELECTRICAL SHOCK MAY RESULT.
- During installation onto the vehicle, properly ground (bond) the generator either by solid mounting to the vehicle frame or chassis, or by means of an approved bonding conductor. DO NOT connect the bonding conductor to any generator part that might be removed or disassembled during routine maintenance. If the grounding conductor must be replaced, use only a flexible conductor that is of No. 8 American Wire Gauge (AWG) copper wire minimum.
- If the vehicle electrical circuits can be powered by any other source of electricity (such as a “dockside” power receptacle), there must be no possibility of connecting the different power sources to the vehicle circuits at the same time. The dockside (utility) power source must be positively isolated from the vehicle circuits whenever the generator is operating. Failure to isolate the vehicle circuits from the dockside power supply when the generator is running may result in damage to the generator or serious injury or death to dockside (utility) power workers due to backfeed of electrical energy.
- In case of accident caused by electric shock, immediately shut down the source of electrical power. If this is not possible, attempt to free the victim from the live conductor. AVOID DIRECT CONTACT WITH THE VICTIM. Use a nonconducting implement, such as a rope or board, to free the victim from the live conductor. If the victim is unconscious, apply first aid and get immediate medical help.

- Never wear jewelry when working on this equipment. Jewelry can conduct electricity resulting in electric shock, or may get caught in moving components causing injury.

FIRE HAZARDS

- For fire safety, the generator must be installed and maintained properly. Installation always must comply with applicable codes, standards, laws and regulations. Adhere strictly to local, state and national electrical and building codes. Comply with regulations the Occupational Safety and Health Administration (OSHA) has established. Also, ensure that the generator is installed in accordance with the manufacturer’s instructions and recommendations. Following proper installation, do nothing that might alter a safe installation and render the unit in noncompliance with the aforementioned codes, standards, laws and regulations.
- Keep a fire extinguisher in the vehicle at all times. Extinguishers rated “ABC” by the National Fire Protection Association are appropriate for use on the recreational vehicle generator electrical system. Keep the extinguisher properly charged and be familiar with its use. If there are any questions pertaining to fire extinguishers, consult the local fire department.

EXPLOSION HAZARDS

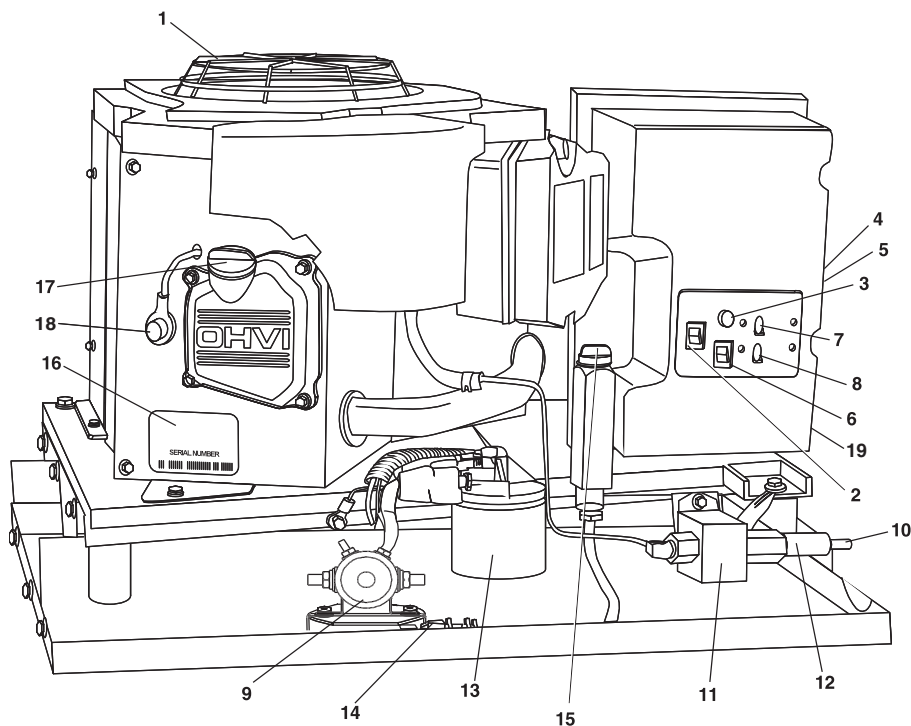
- Do not smoke around the generator. Wipe up any fuel or oil spills immediately. Ensure that no combustible materials are left in the generator compartment, or on or near the generator, as FIRE or EXPLOSION may result. Keep the area surrounding the generator clean and free from debris.
- Gasoline is extremely FLAMMABLE and its vapors are EXPLOSIVE. Do not permit smoking, open flame, sparks or any source of heat in the vicinity while handling gasoline. Comply with all laws governing the storage and handling of gasoline.
- Fuel lines must be properly installed and fastened, and free of leaks. There must be no possibility of gasoline vapors entering the vehicle interior.
- It is required that an approved, flexible, nonconductive fuel line between the generator fuel connection point and rigid fuel lines be installed.
- If the generator is equipped with a liquid propane (LP) gas fuel system, install the unit so it complies with all codes, standards and regulations pertaining to such systems. LP gas is highly explosive. The gas tends to settle in low areas where even the slightest spark can ignite it and cause an explosion. Do not allow gas vapors to enter the vehicle.

1.1 GENERATOR IDENTIFICATION

Please record the following information from the generator DATA DECAL or information decal.

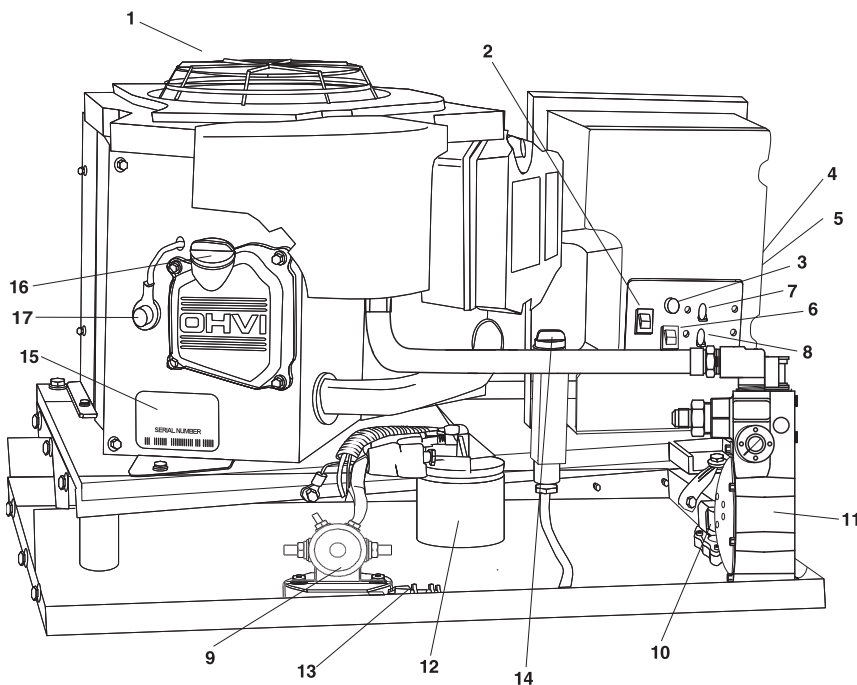
- | | |
|-----------------------|------------------------|
| 1. Model Number _____ | 2. Serial Number _____ |
| 3. kW Rating _____ | 4. Rated Voltage _____ |

Model: 05754-0



1. Generator Air Intake
2. Engine Start/Stop Switch
3. Fuse
4. Optional Remote Panel Receptacle (behind control panel)
5. Generator AC Output Leads (behind control panel)
6. Fuel Primer Switch
7. Circuit Breaker
8. Circuit Breaker
9. Starter Contactor
10. Fuel Inlet
11. Fuel Pump
12. Fuel Filter
13. Oil Filter
14. Oil Drain Cap
15. Oil Dipstick
16. Data Decal
17. Oil Fill
18. Spark Plug
19. External Vacuum Port

Model: 04164-3




1. Generator Air Intake
2. Engine Start/Stop Switch
3. Fuse
4. Optional Remote Panel Receptacle (behind control panel)
5. Generator AC Output Leads (behind control panel)
6. Fuel Primer Switch
7. Circuit Breaker
8. Circuit Breaker
9. Starter Contactor
10. Fuel Solenoid
11. Demand Regulator
12. Oil Filter
13. Oil Drain Cap
14. Oil Dipstick
15. Data Decal
16. Oil Fill
17. Spark Plug

1.2 GENERATOR APPLICABILITY


These generators have been designed and manufactured for supplying electrical power for recreational vehicles. Do not modify the generator or use it for any application other than for what it was designed. If there are any questions pertaining to its application, write or call the factory. Do not use the unit until advised by a competent authority.



 **For fire safety, the generator must have been properly installed in compliance with ANSI 119.2-1975/NFPA 501C-1974, “Standard for Recreational Vehicles, Part III – Installation of Electrical Systems.” The generator also must have been installed in strict compliance with the manufacturer’s detailed installation instructions. After installation, do nothing that might render the unit in noncompliance with such codes, standards and instructions.**

Use this generator to supply electrical power for operating 120/240-volt, single-phase, 60 Hertz, AC electrical loads. These loads can require up to 4,800 watts (4.8 kW) of power, but cannot exceed 40 AC amperes of current at 120 volts, or 20 AC amperes at 240 volts for model 05754-0. For model 04164-3, the loads can require up to 4,500 watts (4.5 kW) of power, but cannot exceed 37.5 amperes of current at 120 volts, or 18.8 amperes at 240 volts.



 **Do not overload the generator. Some installations may require that electrical loads be alternated to avoid overloading. Applying excessively high electrical loads may damage the generator and may shorten its life. Add up the rated watts of all electrical lighting, appliance, tool and motor loads the generator will power at one time. This total should not be greater than the wattage capacity of the generator. If an electrical device nameplate gives only volts and amps, multiply volts times amps to obtain watts (volts x amps = watts). Some electric motors require more watts of power (or amps of current) for starting than for continuous operation.**

1.3 SAFETY

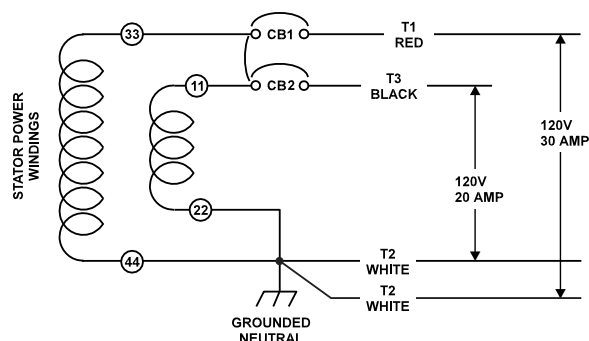
Before attempting to use the generator set, carefully read the “Safety Rules” section of this manual. Comply strictly with these rules to prevent accidents and damage to equipment and/or property. We suggest copying and posting the “Safety Rules” in potential hazard areas of the vehicle. Stress safety to all operators and potential operators of this equipment.

1.4 GENERATOR AC CONNECTION SYSTEM

This generator set is equipped with dual stator AC power windings. These two-stator windings supply electrical power to customer electrical loads by means of a dual two-wire connection system. Note, however, that the neutral is grounded.

The generator may have been installed so that it powers 120-volt AC loads (Figure 1.1). It can be wired to connect both 120- and/or 240-volt AC electrical loads. This procedure should be done by an Authorized Service Dealer or other qualified installer.

Figure 1.1 – Connections for 120 Volts Only



1.5 SPECIFICATIONS

◆ 1.5.1 FUEL REQUIREMENTS

This generator is equipped with a gasoline fuel system. Depending on the installation, the generator may have either a separate fuel tank, or it may “share” the vehicle engine’s fuel tank.

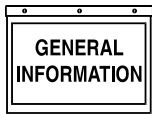
NOTE:

Some installations using a “shared” fuel tank may have a generator fuel pickup tube that is shorter than the vehicle engine’s pickup tube. Such an arrangement causes the generator engine to “run out of gas” while adequate fuel for the vehicle remains in the tank.

To reduce lead and carbon deposits use high quality UNLEADED gasoline with the generator. Leaded REGULAR grade gasoline is an acceptable substitute.

NOTE:

Using unleaded gasoline contributes to longer engine valve life by reducing lead and carbon deposits.



Section 1 – General Information

Recreational Vehicle Generator

CAUTION

⚠ The manufacturer does not recommend using any gasoline containing alcohol (such as “gasohol”). If using any gasoline containing alcohol, it must not contain more than 10 percent ethanol, and it must be removed from the generator during storage. Do NOT use any gasoline containing methanol. If using gasoline with alcohol, inspect more frequently for fuel leaks and other abnormalities.

◆ 1.5.2 OPTIONAL PROPANE FUEL SYSTEM

This generator is equipped with a liquid propane (LP) gas fuel system. LP gas is usually supplied as a liquid in pressure tanks.

The generator requires a vapor withdrawal type fuel system. This type of gaseous fuel system uses the vapors forming above the liquid fuel in the storage tank. Air temperature around the storage tank must be high enough to sustain adequate fuel vaporization. In colder climates, it may be necessary to use an independent heat source to be sure the fuel sufficiently vaporizes in the storage tank.

LP gas may consist of propane, butane or a mixture of the two gases. Propane vaporizes at temperatures as low as -20° F (-29° C), but butane returns to its liquid state when the temperature drops below about 32° F (0° C). For that reason, a higher ratio of propane is desired in the gas mixture when temperatures drop below freezing.

◆ 1.5.3 FUEL CONSUMPTION

Model	No Load	1/2 Load	Full Load
05754-0	0.32	0.46	0.76
04164-3	0.47/17.05	0.72/3.06	1.25/45.35

Gasoline is in gal/h.
LP is in gal/h and cf/h.

◆ 1.5.4 ENGINE OIL REQUIREMENTS

Use only high quality detergent oil rated with American Petroleum Institute (API) Service Classification SF, SG or SH. The recommended oil weights include the following:

- During summer months: SAE 30. An acceptable substitute is SAE 10W-30.
- During winter months: SAE 5W-30. DO NOT USE SAE 10-W40.

Crankcase and oil filter capacity is approximately 1,400 mL or 1.5 U.S. quarts. Do NOT use special additives. See "Checking the Engine Oil Level" and "Changing the Engine Oil and/or Oil Filter" sections for oil level check and fill procedures.

◆ 1.5.5 ENGINE

Type of Engine	GN-410, Single-cylinder
Cooling Method	Air-cooled
Rated Horsepower	15 @ 4,200 rpm
Displacement	407cc
Cylinder Block	Aluminum w/Cast Iron Sleeve
Type of Governor	Mechanical, Fixed Speed
Air Cleaner	Paper Element w/Foam Pre-cleaner
Starter	12-volt DC Electric
Ignition System	Solid-state w/Flywheel Magneto
Recommended Spark Plug	
Champion	RC14YC
AC	R45S
Fram Autolite	65
Spark Plug Gap	0.030 inch (76 mm)
Recommended Minimum Battery	400 Cold-cranking Amperes

Class II Emission Compliant

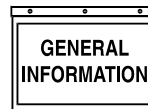
◆ 1.5.6 GENERATOR

Rated Maximum Continuous	
AC Output (Gasoline)	4,800 Watts (4.8 kW)
AC Output (LP Fuel)	4,500 Watts (4.5 kW)
Rated Voltage	120 Volts AC*
Rated Maximum Continuous	
AC Current (Gasoline)	40 Amperes**
AC Current (LP Fuel)	37.5 Amperes**
Phase	Single
Rotor RPM	3,600
Number of Rotor Poles	2
Engine RPM	2,571
Rated AC Frequency	60 Hz
Battery Charge Voltage	14 Volts DC
Battery Charge Current	2 Amperes (max)
Weight	
Gasoline	198 Pounds
LP Fuel	200 Pounds
Length	25.5 inches (648 mm)
Width	18.88 inches (479 mm)
Height	16.75 inches (425 mm)

* All units are reconnectable to 120- and/or 240-volt, dual voltage output. Units are no longer listed per RVIA/ANSI when reconnected for dual voltage output.

** If reconnected for dual voltage, the ampere rating for 240 volts is 20 AC amperes for model 05754-0, and 18.8 AC amperes for model 04164-3.

*** Maximum wattage and current are subject to, and limited by, such factors as fuel Btu content, ambient temperature, altitude, engine condition, etc.. Maximum power decreases about 3.5% for each 1,000 feet above sea level; and will also decrease about 1% for each 6° C (10° F) above 16° C (60° F) ambient temperature.



1.6 EVAPORATIVE EMISSIONS INFORMATION

This generator is subject to evaporative emission standards which have been implemented by the California Air Resource Board (CARB) and the Environmental Protection Agency (EPA). If this generator is offered for sale in the state of California, it must be covered by a CARB evaporative Executive Order. If this generator is offered for sale to the final consumer in any other state, certified low-permeation fuel line must be used to supply fuel to the generator as required by EPA.

Anyone who installs or configures a fuel system to supply this generator with gasoline is required to comply with all applicable evaporative emission regulations. If this generator is configured such that it shares the primary fuel system of a vehicle in which it is installed, reduced certification requirements may apply. See the CARB guidance document MAC 05-05, located at <http://www.arb.ca.gov/msprog/mac/mac0505/mac0505.pdf> for further details. If this generator is installed such that it uses a dedicated fuel system, detailed evaporative emission requirements apply; contact a reputable fuel system manufacturer to purchase a complete fuel system certified for use with this generator, or consult the California Code of Regulations if you wish to obtain certification on your own. See the installation instructions in this manual for connecting fuel system vapor lines to the engine.

This generator is not legal for sale in the state of California unless all CARB evaporative emission requirements are adhered to, and is not legal for sale in any other state unless certified low-permeation fuel line is used to supply the generator with gasoline. Contact the California Air Resource Board or the Environmental protection agency for further information. CARB regulations can be found in 13 CCR §§2750 – 2773; EPA regulations can be found in 40 CFR Part 90.

1.7 EXHAUST EMISSIONS INFORMATION (GASOLINE)

The Environmental Protection Agency (EPA) and the California Air Resource Board (CARB) require that this generator comply with exhaust emission standards. The generator is certified to meet all applicable exhaust emission levels. This generator is certified for use as a mobile engine. It is important that you follow the maintenance specifications listed in this manual to ensure that the engine complies with emission standards for the duration of its life. This engine is certified to operate on gasoline. The emission control system on the generator consists of the following:

- Fuel Metering System
 - ~ Carburetor assembly
 - ~ Fuel pump and lines
- Air Induction System
 - ~ Intake pipe / manifold
 - ~ Air cleaner
- Ignition System
 - ~ Spark plug
 - ~ Ignition module
- Catalytic Converter (if equipped)

The Emissions Compliance Period referred to on the Emissions Compliance Label indicates the number of operating hours for which the engine has been shown to meet Federal and California emission requirements. See the table below to determine the compliance period for this generator. The displacement of the engine is listed on the Emissions Compliance Label.

Displacement	Category	Compliance Period
> 66 cc - < 225 cc	A	500 Hours
	B	250 Hours
	C	125 HOurs
≥ 225 cc	A	1000 Hours
	B	500 Hours
	C	250 Hours

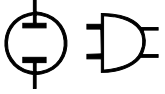
1.8 EXHAUST EMISSIONS INFORMATION (PROPANE)

The Environmental Protection Agency (EPA) and the California Air Resource Board (CARB) require that this generator comply with exhaust emission standards. The generator is certified to meet all applicable exhaust emission levels. This generator is certified for use as a mobile engine. It is important that you follow the maintenance specifications listed in this manual to ensure that the engine complies with emission standards for the duration of its life. This engine is certified to operate on propane fuel (LP). The emission control system on the generator consists of the following:

- Fuel Metering System
 - ~ Mixer assembly
 - ~ Fuel regulator and lines
- Air Induction System
 - ~ Intake pipe / manifold
 - ~ Air cleaner
- Ignition System
 - ~ Spark plug
 - ~ Ignition module
- Catalytic Converter (if equipped)

The Emissions Compliance Period referred to on the Emissions Compliance Label indicates the number of operating hours for which the engine has been shown to meet Federal and California emission requirements. See the table below to determine the compliance period for this generator. The displacement of the engine is listed on the Emissions Compliance Label.

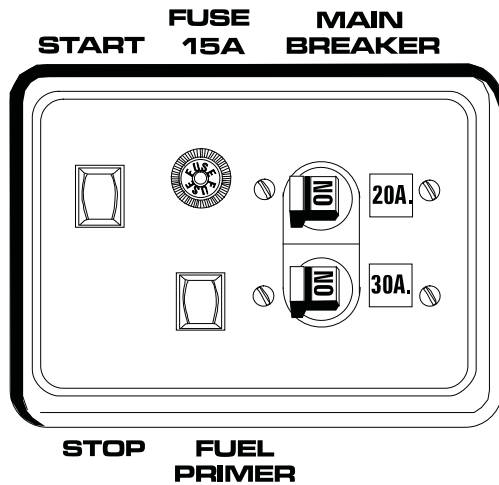
Displacement	Category	Compliance Period
> 66 cc - < 225 cc	A	500 Hours
	B	250 Hours
	C	125 HOurs
≥ 225 cc	A	1000 Hours
	B	500 Hours
	C	250 Hours



2.1 GENERATOR CONTROL PANEL

The following features are mounted on the generator control panel (Figure 2.1):

Figure 2.1 – Generator Control Panel



2.1.1 FUEL PRIMER

Before starting a cold engine (if it has not been started in more than two weeks), this switch must be pressed for approximately 10 to 15 seconds to bring fuel from the tank to the carburetor. This rocker type switch springs back into its original position when released. It is not necessary to press the primer switch for LP units.

2.1.2 START/STOP SWITCH

To crank and start the engine, hold this switch in the START position. Release the switch when the engine starts. To stop an operating engine, press and hold the switch in the STOP position until the engine shuts off. The switch center position is the RUN position.

2.1.3 FUSE

The fuse protects the engine's DC control circuit against electrical overload. If the fuse element has melted open due to overloading, the engine cannot be cranked. If the fuse must be replaced, use only an identical replacement.

2.1.4 MAIN BREAKER

The main breaker protects the generator's AC output circuit against overload and provides a method of turning OFF the generator's 120/240-volt AC output to the vehicle circuits. The generator has one 20-amp breaker and one 30-amp breaker.

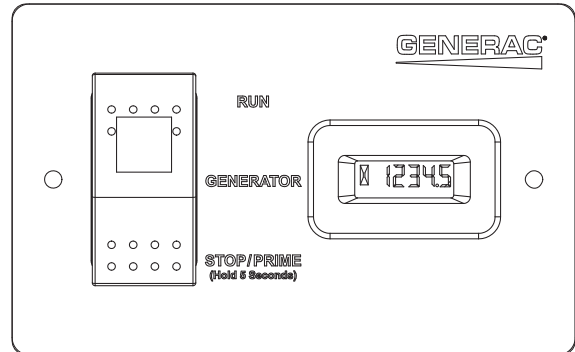
NOTE:

If the generator has been reconnected for dual voltage AC output (120/240 volts), install line breakers having an amperage rating that is different than that stated in the "Generator AC Connection System" section. The replacement line breakers consist of two separate breakers (one 20 amp, and one 30 amp) with a connecting piece between the breaker handles (so that both breakers will operate at the same time). If the unit is reconnected for dual voltage, it is no longer RVIA listed.

2.2 OPTIONAL REMOTE START/STOP PANEL

A remote mounted Start/Stop Panel (Figure 2.2) is available that allows starting and stopping the generator engine conveniently from inside the vehicle. The remote panel includes a Start/Stop switch, hourmeter, generator run lamp and a wire harness. The Prime switch is not connected, it must be used with jumper wire OG7666.

Figure 2.2 — Optional Remote Panel (Models OH3068)



2.3 AUTOMATIC CHOKE (GASOLINE ONLY)

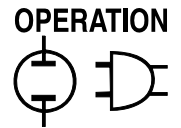
The engine is equipped with an automatic choke that consists of two main components: a choke solenoid and prechoke.

2.3.1 CHOKE SOLENOID

During engine cranking (Start/Stop switch at START), a solid-state choke module signals the choke solenoid to activate and cycle (choke on/choke off) until the engine starts. The choke solenoid thus opens and closes the carburetor choke valve only when the engine is cranking. When the engine starts, the choke stops cycling.

2.3.2 PRECHOKE

The choke system also has a temperature-sensitive metal strip that adjusts choke valve angle according to ambient temperatures (i.e., in cold ambient temperatures, choke valve closes more). Once the engine starts, an element heats the temperature-sensitive strip to a normal operating condition, opening the choke valve. This may take about three minutes in cooler weather.



2.4 BEFORE STARTING THE ENGINE

NOTE:

Instructions and information in this manual assume the generator has been properly installed, connected, serviced, tested and adjusted by a qualified installation technician or installation contractor.

◆ 2.4.1 INSTALLATION

Generator installation must have been properly completed so it complies with all applicable codes, standards and regulations and with the manufacturer's recommendations.

NOTE

Be sure the installation complies with all standards and codes listed in the "Standards Booklets" section of this manual.

◆ 2.4.2 ENGINE LUBRICATION

Have the engine crankcase properly serviced with the recommended oil before starting. Refer to the "Engine Oil Requirements" section and "Checking the Engine Oil Level" and "Change the Engine Oil and/or Oil Filter" sections for oil servicing procedures and recommendations.



⚠ Any attempt to crank or start the engine before it has been properly serviced with the recommended oil may result in an engine failure.

◆ 2.4.3 FUEL SUPPLY

The engine must have an adequate supply of proper fuel to operate. Before starting it, check that sufficient fuel is available.

NOTE:

Depending on the installation, the generator may have either a separate fuel tank, or it may "share" the vehicle engine's fuel tank.

◆ 2.4.4 COOLING AND VENTILATING AIR

Air inlet and outlet openings in the generator compartment must be open and unobstructed for continued proper operation. Without sufficient cooling and ventilating airflow, the engine/generator quickly overheats, which causes it to shut down and may damage the generator.

◆ 2.4.5 ENGINE EXHAUST GAS

Before starting the generator engine, be sure there is no way for exhaust gases to enter the vehicle interior and endanger people or animals. Close windows, doors and other openings in the vehicle that, if open, might permit exhaust gases to enter the vehicle.



- ⚠ Generator engine exhaust contains **DEADLY carbon Monoxide**, an odorless, colorless poisonous gas. Breathing carbon monoxide can cause: dizziness, throbbing temples, nausea, muscular twitching, headache, vomiting, weakness and sleepiness, inability to think clearly, fainting, unconsciousness or even death. If you experience any carbon monoxide poisoning symptoms, move into fresh air and immediately seek medical attention.
- ⚠ Never operate the generator set with the vehicle inside any garage or other enclosed area.
- ⚠ Adequate, unobstructed flow of cooling and ventilating air is critical for expelling toxic carbon monoxide gas and fuel vapors from the generator compartment and for proper generator operation. Without sufficient cooling airflow, deadly carbon monoxide gas can accumulate and the engine/generator may quickly overheat, causing serious damage to the generator. Do not operate the genset in any confined space.
- ⚠ The exhaust system must be installed in accordance with the genset installation manual. Do not alter the installation or permit even partial blockage of ventilation systems, as this can seriously affect the safe and proper operation of the generator.
- ⚠ Do not operate the generator if the exhaust system is leaking or has been damaged or if you have experienced carbon monoxide poisoning symptoms during use. Shut down the generator and do not operate it until it has been inspected and/or repaired.
- ⚠ Never sleep in the vehicle while the genset is running unless the vehicle has a working carbon monoxide detector.

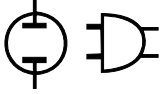
2.5 STARTING THE GENERATOR

NOTE:

Read the vehicle manufacturer's instructions. The owner/operator should become familiar with the vehicle in which this generator is installed. Differences exist between vehicles. For example, some vehicles may use a transfer switch to isolate dockside power from the generator, while other vehicles may use an isolating receptacle. Some vehicles may be equipped with a DC converter, which allows the generator to power certain DC lighting and other DC loads.

To start the generator from either the generator control panel or from the optional remote panel, proceed as follows:

1. Turn OFF electrical loads using the means provided in the vehicle (such as a main line circuit breaker or transfer switch).

**NOTE:**

If starting from the generator control panel, turn OFF loads by setting the generator's main circuit breaker to the OFF (or OPEN) position. If starting from a remote panel, turn OFF loads using the means provided in the vehicle (such as a main circuit breaker). Electrical load circuits will be turned ON after the generator has started, stabilized and warmed up.

- If the engine has not been started in more than two weeks, press the Fuel Pump Primer switch and hold it for about 10 to 15 seconds to prime the fuel system. However, if the engine is warm, skip Step 2.
- Hold the engine Start/Stop switch in the START position to crank the engine. Release the switch when the engine starts.



⚠ If the engine does not start after it has been cranking for 15 seconds, release the Start/Stop switch and try again. Holding the switch for longer than 15 seconds can damage the starter motor.

- Let the engine run at no-load for a few minutes to stabilize and warm up.
- Turn ON electrical loads using the means provided (such as a main circuit breaker or transfer switch).

2.6 STOPPING THE GENERATOR

- Turn OFF all electrical loads using the means provided (such as a main circuit breaker or transfer switch).
- Let generator run at no-load for a few minutes, to stabilize internal engine generator temperatures.
- Place the Start/Stop switch in its STOP position.

2.7 APPLYING LOADS TO GENERATOR

When applying electrical loads to the generator, observe these guidelines:

- Before applying electrical loads, let the generator stabilize and warm up for a minute or two.
- DO NOT overload the generator.

◆ 2.7.1 LETTING THE ENGINE STABILIZE

The generator supplies correct rated voltage only at the proper governed speed. Some electrical appliances may be extremely sensitive to voltage. Incorrect voltages can damage such appliances.

If electrical loads are applied at reduced operating speeds, such loads imposed on the engine when sufficient power is not available may shorten engine life. Never turn ON electrical loads until after the generator engine has started and stabilized at no-load.

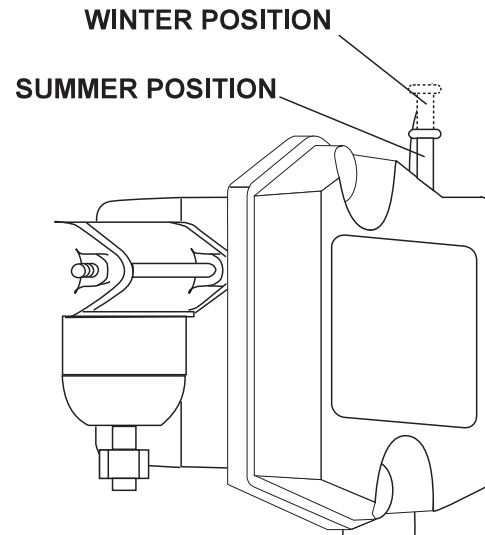
2.8 SUMMER/WINTER HEAT RISER SYSTEM

Under certain weather conditions, it is possible for ice to form in the venturi area of the carburetor. This condition can be very dangerous because it can prevent the governor system from functioning properly, which results in a "runaway" engine.

The most common weather conditions leading to this problem are temperatures in the range of 25° F to 35° F (-4° C to 1.7° C), along with high humidity. This ice formation also can be attributed to the load being applied during these weather conditions. Generators running with no-load or light loads applied usually have the most problems.

The Summer/Winter Lever (Figure 2.3) should be in the WINTER position for ambient temperatures below 40° F (4.4° C) and in the SUMMER position for ambient temperatures above 40° F (4.4° C).

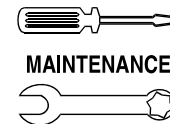
Figure 2.3 – Heat Riser System



When the heat riser is in the SUMMER (down) position (Figure 2.2), air is drawn into the air cleaner from the upper intake tube.

When the heat riser is in the WINTER (up) position, air is drawn from the lower intake tube, which is positioned to draw the heated air near the exhaust manifold.

To prevent carburetor icing, the owner/operator should physically position the heat riser to the proper position dependent on the temperature.



◆ 2.8.1 DO NOT OVERLOAD THE GENERATOR

Read the rated wattage/ampere capacity of the generator on the generator data decal (see "Generator Identification").

Applying electrical loads in excess of the unit's rated capacity will cause the engine/generator to automatically shut down.

To avoid overloading, add up the wattage of all connected electrical lighting, appliance, tool and motor loads. This total should not be greater than the generator's rated wattage capacity.

- Most lighting, appliance, tool and motor loads indicate their required watts on their nameplate or data plate. For light bulbs, simply note the wattage rating of the bulb.
- If a load does not show its rated wattage, multiply that load's rated VOLTS times AMPS to obtain WATTS.
- Induction type motors (such as those that run the vehicle's furnace fan, refrigerator, air conditioner, etc.) need about 2-1/2 time more watts of power for starting than for running (for a few seconds during motor starting). Be sure to allow for this when connecting electrical loads to the generator. First, figure the watts needed to start electric motors in the system. To that figure, add the running wattages of other items that will be operated by the generator.
- Do not apply heavy electrical loads for the first two or three hours of operation.

2.9 PROTECTION SYSTEMS

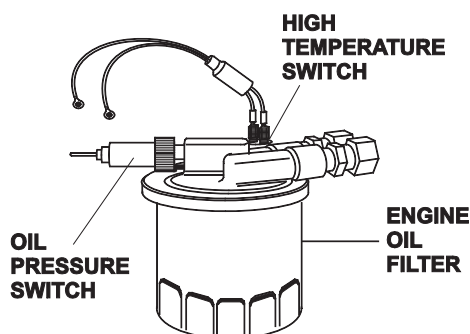
◆ 2.9.1 LOW OIL PRESSURE SWITCH

This switch (Figure 2.4) has normally closed (N.C.) contacts that are held open by engine oil pressure during cranking and operating. Should oil pressure drop below a preset level, switch contacts close, and the engine automatically shuts down. The unit should not be restarted until oil is added.

◆ 2.9.2 HIGH TEMPERATURE SWITCH

This switch (Figure 2.4), which has normally open (N.O.) contacts, is mounted near the oil filter. The contacts close if the temperature should exceed approximately 293° F (145° C), initiating an engine shutdown.

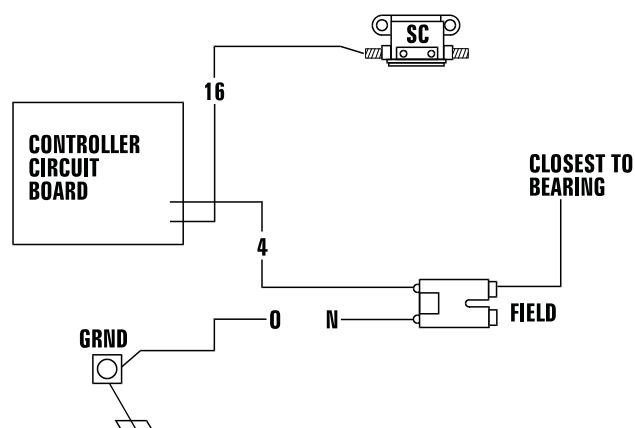
Figure 2.4 – Low Oil Pressure and High Temperature Switches



◆ 2.9.3 FIELD BOOST

The Controller Circuit Board houses a field boost diode and resistor that are not part of the automatic choke circuit. These two components are part of a "field boost" circuit (Figure 2.5). During engine cranking only, a positive DC (battery) voltage is delivered through the diode, resistor, brushes and slip rings, and the generator rotor. Application of this voltage to the rotor "flashes the field" whenever it is started. Flashing of the field each time the generator starts makes sure that a sufficiently strong magnetic field is available to produce "pickup" voltage in the stator windings.

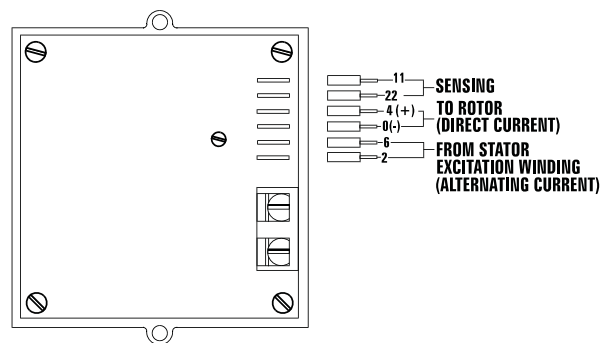
Figure 2.5 – Field Boost Circuit



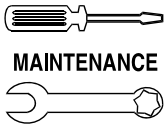
◆ 2.9.4 OVERVOLTAGE PROTECTION

A solid-state voltage regulator (Figure 2.6) controls the generator's AC output voltage. This regulator supplies an excitation current to the rotor. By regulating the rotor's excitation current, the strength of its magnetic field is regulated and, in turn, the voltage delivered to connected electrical loads is controlled. When the AC frequency is 60 Hertz, voltage is regulated at 120 volts (voltage-to-frequency ratio is 2-to-1).

Figure 2.6 – Solid State Voltage Regulator



The voltage regulator also incorporates a "voltage surge protection circuit." This circuit prevents troublesome surges in the generator AC output voltage. Voltage surge is a common cause of damage to electronic equipment.



MAINTENANCE

Section 3 – Maintenance

Recreational Vehicle Generator

2.10 ADDITIONAL INFORMATION

◆ 2.10.1 ATTENTION REQUIRED AFTER SUBMERSION

If the recreational vehicle generator has been submerged in water, it **MUST NOT** be started and operated. Following any submersion in water, have an Authorized Service Dealer thoroughly clean and dry the generator.

◆ 2.10.2 OPERATION IN HIGH GRASS OR BRUSH

Never operate the generator while the vehicle is parked over high grass, weeds, brush, leaves or any other combustible substance. Such materials can ignite and burn from the heat of the exhaust system. The generator exhaust system becomes extremely hot during operation and remains hot for a long time after it has shut down.

◆ 2.10.3 EFFECTS OF MOISTURE AND DIRT

Keep the generator set as clean and dry as possible. Protect the unit against excessive dust, dirt, corrosive vapors, road splash, etc. Permitting dirt and moisture to accumulate on generator windings will have an adverse effect on the insulation resistance of those windings.

When moisture is allowed to remain in contact with windings, some of the moisture will be retained in voids and cracks in the insulation. This causes a reduced insulation resistance and will eventually cause problems. Dirt will make the problem worse, since dirt tends to hold moisture in contact with windings. Salt (as from sea air) also will worsen the problem since it tends to absorb moisture from the air. Salt and moisture, when combined, form a good electrical conductor.

3.1 CHECKING THE ENGINE OIL LEVEL

For oil capacities and requirements, see section “Engine Oil Requirements”. Check the engine crankcase oil level at least every eight hours of operation, or before use. To check the engine oil level, proceed as follows (see Figure 3.1):

1. Be sure the generator is as level as possible.
2. Remove the dipstick and wipe it dry with a clean, lint-free cloth.
3. Install and tighten the dipstick cap; then, remove it again. The oil level should be at the dipstick “Full” mark.
4. If necessary, remove the oil fill cap on the rocker cover and slowly add oil until it reaches the dipstick “Full” mark. **DO NOT FILL ABOVE THE “FULL” MARK.**

—▲ CAUTION ▲—

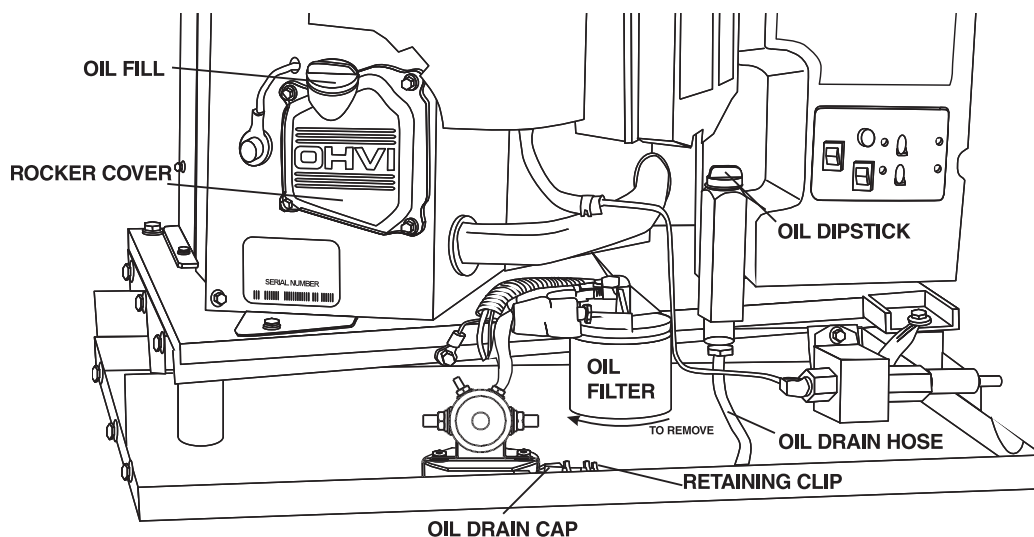
- ▲ **Never operate the engine with the oil level below the “Add” mark on the dipstick. Doing this could damage the engine.**
5. Install and tighten the oil fill cap and the dipstick before operating the engine.

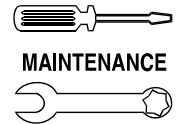
3.2 CHANGING THE ENGINE OIL AND/OR OIL FILTER

—▲ CAUTION ▲—

- ▲ **Hot oil may cause burns. Allow engine to cool before draining oil. Avoid prolonged or repeated skin exposure with used oil. Thoroughly wash exposed areas with soap.**
- Change the engine oil after the first 25 hours of operation. Thereafter, change the oil every 100 operating hours. Change the oil more frequently if operating consistently under heavy load or at high ambient temperatures.

Figure 3.1 – Oil Maintenance Features





- Change the engine oil filter after the first 25 hours of operation, and every 100 operating hours thereafter.
 - To change the oil and/or oil filter, proceed as follows (see Figure 3.1):
1. Run the engine until it is thoroughly warmed up (at least five minutes) then shut OFF the engine.
 2. Immediately after the engine shuts OFF, pull the oil drain hose free of its retaining clip. Remove the cap from the hose and drain the oil into a suitable container. Loosening the oil fill cap will allow the crankcase to drain faster.
 3. After the oil has drained, replace the cap onto the end of the oil drain hose. Retain the hose in the clip.
 4. With the oil drained, remove the old oil filter by turning it counterclockwise.
 5. Apply a light coating of clean engine oil to the gasket of the new filter.
 6. Screw the new filter on by hand until its gasket lightly contacts the oil filter adapter. Then, tighten the filter an additional 3/4 to one turn.
 7. Remove the dipstick and wipe it dry with a clean, lint-free cloth. This will be used later to check the oil level.
 8. Remove the oil fill cap on the rocker cover and slowly add the proper type and amount of recommended oil (see section "Engine Oil Requirements"). Periodically use the dipstick to check the oil level and continue to fill the crankcase until the oil reaches the dipstick "Full" mark. **DO NOT FILL ABOVE THE "FULL" MARK.**
 9. Install and tighten the oil fill cap and the dipstick before operating the engine.
 10. Start the engine and check for leaks.

NOTE:

Check the oil level and fill to the "FULL" mark after checking for leaks. The filter will retain some oil.

3.3 MAINTAINING THE ENGINE AIR CLEANER

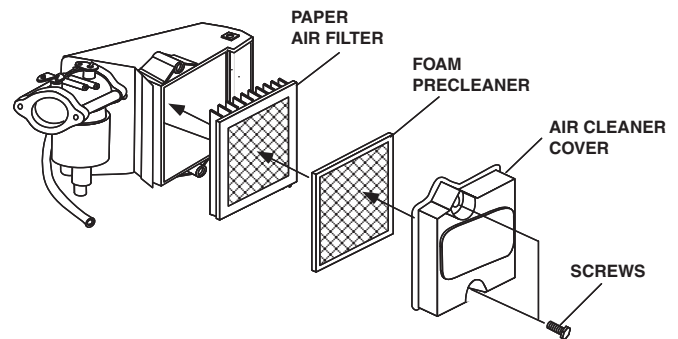
◆ 3.3.1 CLEANING THE FOAM PRECLEANER

Clean and re-oil the foam precleaner every three months or every 25 hours of operation, whichever occurs first. Service the foam precleaner more frequently if operating the generator in extremely dusty or dirty conditions. Use the following procedure (Figure 3.2):

1. Turn the two screws counterclockwise to loosen.
2. Remove the cover, foam precleaner and paper filter.
3. Remove the foam precleaner from the cover.
4. Wash the foam precleaner in liquid detergent and water.
5. Wrap the foam precleaner in a clean cloth and gently squeeze it dry.
6. Saturate the foam precleaner in clean engine oil. Gently squeeze it in a clean cloth to remove excess oil and to distribute oil (**DO NOT TWIST**).
7. Install the foam precleaner into the cover, followed by the paper filter.

8. Install the cover, foam precleaner and paper filter.
9. Tighten the two screws to retain the filter in place.

Figure 3.2 – Engine Air Cleaner



◆ 3.3.2 CLEANING OR REPLACING THE PAPER FILTER

Once each year or every 100 hours of operation (whichever comes first), clean or replace the paper filter. The new replacement filter must be flame retardant. Service the paper filter more frequently if operating the generator in extremely dusty or dirty conditions. Use the following procedure (Figure 3.2):

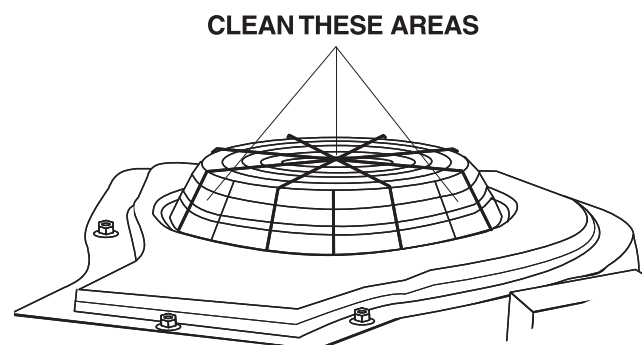
1. Follow steps 1-3 in the "Cleaning the Foam Precleaner" section; service the foam precleaner if necessary.
2. Remove the paper filter.
3. Clean the air filter by tapping it gently on a solid surface. If the filter is too dirty, replace it with a new one. Dispose of the old filter properly.
4. Clean the air cleaner cover then reassemble following steps 7-9 in the "Cleaning the Foam Precleaner" section.

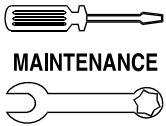
3.4 CLEAN AIR INTAKE

Clean all foreign material from the air intake (Figure 3.3) at least once every 100 hours of operation. Clean more often if necessary.

Inspect the area around the generator exhaust muffler periodically and remove all grass, leaves, dirt, etc., from this area.

Figure 3.3 – Cleaning Air Intake





3.5 CHECKING THE ENGINE SPARK PLUG

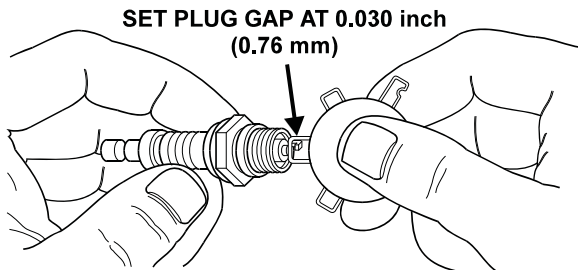
Clean the spark plug and reset the spark plug gap every 100 hours of operation.

1. Clean the area around the base of the spark plug to keep dirt and debris out of the engine. Clean by scraping or washing using a wire brush and commercial solvent. Do not blast the spark plug to clean.
2. Remove the spark plug and check the condition. Replace the spark plug if worn or if reuse is questionable.
3. Check the spark plug gap using a wire feeler gauge. Adjust the gap to 0.030 inch (0.76 mm) by carefully bending the ground electrode (Figure 3.4).



⚠ Sparking can occur if the wire terminal does not fit firmly on the spark plug terminal end. If necessary, re-form the wire terminal to obtain a tight fit.

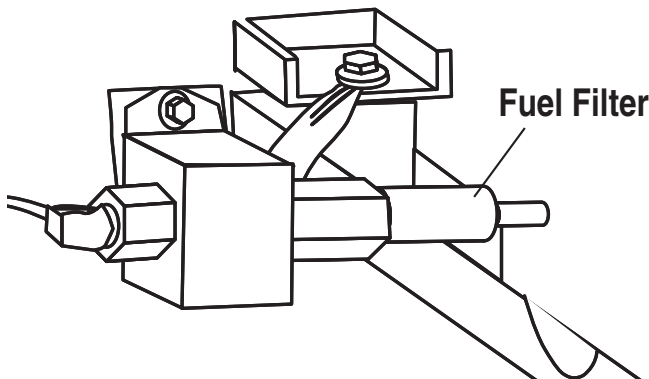
Figure 3.4 – Setting the Spark Plug Gap



3.6 FUEL FILTER (GASOLINE ONLY)

Remove and replace the fuel filter (Figure 3.5) once each year or every 100 hours of operation, whichever comes first.

Figure 3.5 – Fuel Filter



3.7 SPARK ARRESTOR MUFFLER

If the generator is not equipped with a spark arrestor exhaust muffler and is to be used on any forest covered, brush covered or grass covered unimproved land, a spark arrestor may need to be installed. The spark arrestor must be maintained in effective working order by the vehicle owner/operator.

For assistance in ordering, installing and maintaining spark arrestor exhaust mufflers, contact the nearest Authorized Service Dealer.

Exhaust mufflers supplied by the manufacturer are spark arrestor types. The manufacturer's exhaust mufflers for recreational vehicle generators do not have a spark arrestor screen, but are of the more efficient "toroid" or "swirl" type. To remove carbon and combustion deposits from such mufflers, remove the plug from the muffler and run the engine for approximately 15 minutes. Shut down the engine, let the muffler cool and install the plug.



⚠ Be sure to reinstall the muffler plug tightly. Engine vibration could cause a loose plug to fall out. Without the plug in place, hot engine exhaust is directed out the opening. This hot exhaust, depending on the installation, could be directed to areas not able to withstand the extreme heat such as wooden floor boards or other flammable material. This could result in a fire.

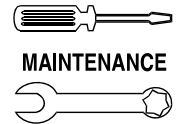
3.8 CLEANING THE GENERATOR

Keep the generator set as clean and dry as possible. Protect the unit against excessive dust, dirt, corrosive vapors, road splash, etc. Permitting dirt and moisture to accumulate on generator windings will have an adverse effect on the insulation resistance of those windings.

When moisture is allowed to remain in contact with windings, some of the moisture will be retained in voids and cracks in the insulation. This causes a reduced insulation resistance and will eventually cause problems. Dirt will make the problem worse, since dirt tends to hold moisture in contact with windings. Salt (as from sea air) also will worsen the problem since it tends to absorb moisture from the air. Salt and moisture, when combined, form a good electrical conductor.



⚠ Do NOT use a forceful spray of water to clean the generator. Water will enter the generator interior and cause problems, and may also contaminate the generator fuel system.



3.9 BATTERY MAINTENANCE

All lead-acid batteries will discharge when not in use. The generator battery should be inspected as follows:

◆ 3.9.1 WEEKLY

- Inspect the battery posts and cables for tightness and corrosion. Tighten and clean as necessary.
- Check the battery fluid level of unsealed batteries and, if necessary, fill with Distilled Water Only. Do not use tap water in batteries.

◆ 3.9.2 EVERY SIX MONTHS


- Have the state of charge and condition checked. This should be done with an automotive-type battery hydrometer.


NOTE:

Servicing of the battery is to be performed or supervised by personnel knowledgeable of batteries and the required precautions. Keep unauthorized personnel away from batteries.

Damage will result if the battery connections are made in reverse.





 **Do not dispose of the battery in a fire. The battery is capable of exploding. Stored batteries give off explosive hydrogen gas. This gas can form an explosive mixture around the battery for several hours after charging. The slightest spark can ignite the gas and cause an explosion. Such an explosion can shatter the battery and cause blindness or other injury. Any area that houses a storage battery must be properly ventilated. Do not allow smoking, open flame, sparks, or any spark producing tools or equipment near the battery. Discharge static electricity from body before touching the battery by first touching a grounded metal surface.**

 **A battery presents a risk of electrical shock and high short circuit current. The following precautions are to be observed when working on batteries:**

- Remove watches, rings or other metal objects;
- Use tools with insulated handles;
- Wear rubber gloves and boots;
- Do not lay tools or metal parts on top of the battery;
- Disconnect any charging source prior to connecting or disconnecting battery terminals; and
- Do not use any jumper cables or booster battery to crank and start the generator engine. If any battery has discharged, remove it for recharging.



 **Do not open or mutilate the battery. Released electrolyte has been known to be harmful to the skin and eyes, and to be toxic.**

 **The electrolyte is a dilute sulfuric acid that is harmful to the skin and eyes. It is electrically conductive and corrosive. The following procedures are to be observed:**

- Wear full eye protection and protective clothing;
- Where electrolyte contacts the skin, wash it off immediately with water;
- Where electrolyte contacts the eyes, flush thoroughly and immediately with water and seek medical attention; and
- Spilled electrolyte is to be washed down with an acid neutralizing agent. A common practice is to use a solution of 1 pound (500 grams) bicarbonate of soda to 1 gallon (4 liters) or water. The bicarbonate of soda solution is to be added until the evidence of reaction (foaming) has ceased. The resulting liquid is to be flushed with water and the area dried.

3.10 MAJOR SERVICE MANUAL

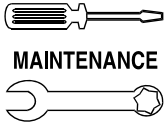
To obtain a service manual for the generator, contact the nearest Authorized Service Dealer or, go to www.generac.com. Make sure to identify the MODEL NUMBER and SERIES.

3.11 DRIVE BELT

The engine drives the generator rotor by means of a pulley and drive belt arrangement. The drive belt and pulleys are warranted for the life of the generator. Drive belt tension was properly adjusted before the unit was shipped from the factory. If suspecting that the drive belt tension is incorrect, contact an Authorized Service Dealer.

3.12 EXERCISING THE GENERATOR

The manufacturer recommends starting and operating the generator at least once every seven days. Let the unit run for at least 30 minutes to “exercise” the engine.



3.13 OUT OF SERVICE PROCEDURE

◆ 3.13.1 REMOVAL FROM SERVICE

If the generator cannot be exercised every seven days, and it is to be out of service longer than 30 days, prepare the generator for storage as follows:

1. Start the engine and let it warm up.
2. Close the fuel shutoff valve in the fuel supply line and allow the unit to shut down.
3. While the engine is still warm from running, drain the oil completely. Refill the crankcase with SAE 10W-30 oil having API classification "For Service SF."
4. Attach a tag to the engine indicating the viscosity and classification of the oil in the crankcase.
5. Remove the spark plug and pour two or three tablespoons of clean, fresh engine oil into the spark plug threaded openings. Reinstall and tighten the spark plug.
6. Remove the battery and store it in a cool, dry room on a wooden board. Never store the battery on any concrete or earthen floor.
7. Clean and wipe the entire generator.

◆ 3.13.2 RETURN TO SERVICE

To return the unit to service after storage, proceed as follows:

1. Check the tag on the engine for oil viscosity and classification. Verify that the correct recommended oil is used in the engine (see the "Engine Oil Requirements" section). If necessary, drain and refill with the proper oil.
2. Check the state of the battery. Fill all cells of unsealed batteries to the proper level with distilled water. **DO NOT USE TAP WATER IN THE BATTERY.** Recharge the battery to 100 percent state of charge, or, if defective, replace the battery.
3. Clean and wipe the entire generator.
4. Reconnect the battery. Observe battery polarity. Damage may occur if the battery is connected incorrectly.
5. Turn OFF all electrical loads. Add fuel if necessary and then start the engine.
6. Allow the unit to warm up thoroughly.
7. Apply electrical loads to at least 50 percent of the unit's rated wattage capacity.
8. When the engine is thoroughly warmed up, shut it down.
9. The generator is now ready for service.

PART II – INSTALLATION INSTRUCTIONS

—▲ **DANGER** ▲—

**ONLY QUALIFIED ELECTRICIANS OR CONTRACTORS
SHOULD ATTEMPT INSTALLATION!**



⚠ DANGER: For fire safety, installation of a generator into a recreational vehicle must comply strictly with article 551, NFPA 70; ANSI C1-1975; AND, ANSI A119.2-1975/NFPA 501C “Standard for Recreational Vehicles” (Part 3, “Installation of Electrical Systems”). In addition, installation must comply with the manufacturer’s instructions and recommendations. **⚠**

NOTICE TO INSTALLER

These *Installation Instructions* have been published by the manufacturer to aid in the installation of the products described in this manual. The manufacturer assumes that installation personnel are familiar with the procedures for installing such products, or similar products manufactured. The manufacturer also assumes that personnel have been trained in the recommended installation procedures for these products and that such training includes (a) use of common hand tools, (b) use of special tools, and (c) use of any tools and/or equipment from other suppliers.

The manufacturer cannot possibly know of and advise the recreational vehicle trade of all conceivable methods, procedures or techniques by which to perform an installation. Nor can the manufacturer anticipate every possible hazard that might result from each installation method, procedure or technique. The manufacturer has not undertaken any such wide evaluation. Therefore, people who use a method, procedure or technique that the manufacturer does not specifically recommend must first completely satisfy themselves that their safety, the safety of the vehicle's occupants and the product's safety is not endangered by the method, procedure or technique selected.

Information, illustrations, specifications, etc., contained in these *Installation Instructions* are based on the latest information available at the time of publication. Every effort has been expended to be sure that such data is both accurate and current. However, the manufacturer reserves the right to change, alter or otherwise improve this product at any time without prior notice.

⚠ DANGER ⚠

⚠ Despite the safe design of this generator, operating this equipment imprudently, neglecting its maintenance or being careless can cause possible injury or death. Permit only responsible and capable persons to operate or maintain this equipment.

⚠ Potentially lethal voltages are generated by these machines. Ensure all steps are taken to render the machine safe before attempting to work on the generator.

⚠ Parts of the generator are rotating and/or hot during operation. Exercise care near running generators.

⚠ Generator exhaust gases contain DEADLY carbon monoxide gas. This dangerous gas, if breathed in sufficient concentrations, can cause unconsciousness or even death.

⚠ GENERAL HAZARDS ⚠

- For safety reasons, the manufacturer recommends that the installation, initial start-up and maintenance of this equipment is carried out by an Authorized Service Dealer.
- Keep hands, feet, clothing, etc., away from drive belts, fans, and other moving or hot parts. Never remove any drive belt or fan guard while the unit is operating.
- When working on this equipment, remain alert at all times. Never work on the equipment when physically or mentally fatigued.
- Inspect the generator regularly, and contact the nearest Authorized Service Dealer immediately for parts needing repair or replacement.
- Inspect the generator regularly, and contact the nearest Authorized Service Dealer immediately for parts needing repair or replacement.
- Before performing any maintenance on the generator, disconnect its battery cables to prevent accidental start up. Disconnect the cable from the battery post indicated by a NEGATIVE, NEG or (–) first. Reconnect that cable last.
- Never use the generator or any of its parts as a step. Stepping on the unit can stress and break parts, and may result in dangerous operating conditions from leaking exhaust gases, fuel leakage, oil leakage, etc.

⚠ ENGINE EXHAUST HAZARDS ⚠

- Generator engine exhaust contains DEADLY carbon monoxide, an odorless, colorless poisonous gas. Breathing carbon monoxide can cause: dizziness, throbbing temples, nausea, muscular twitching, headache, vomiting, weakness and sleepiness, inability to think clearly, fainting, unconsciousness or even death. If you experience any carbon monoxide poisoning symptoms, move into fresh air and immediately seek medical attention.
- Never operate the generator set with the vehicle inside any garage or other enclosed area.
- Adequate, unobstructed flow of cooling and ventilating air is critical for expelling toxic carbon monoxide gas and fuel vapors from the generator compartment and for proper generator operation. Without sufficient cooling airflow, deadly carbon monoxide gas can accumulate and the engine/generator may quickly overheat, causing serious damage to the generator. Do not operate the genset in any confined space.
- The exhaust system must be installed in accordance with the genset installation manual. Do not alter the installation or permit even partial blockage of ventilation systems, as this can seriously affect the safe and proper operation of the generator.



- Do not operate the generator if the exhaust system is leaking or has been damaged or if you have experienced carbon monoxide poisoning symptoms during use. Shut down the generator and do not operate it until it has been inspected and/or repaired.
- Never sleep in the vehicle while the genset is running unless the vehicle has a working carbon monoxide detector.

ELECTRICAL HAZARDS

- The generator covered by this manual produces dangerous electrical voltages and can cause fatal electrical shock. Avoid contact with bare wires, terminals, connections, etc., while the unit is running. Ensure all appropriate covers, guards and barriers are in place before operating the generator. If work must be done around an operating unit, stand on an insulated, dry surface to reduce shock hazard.
- Do not handle any kind of electrical device while standing in water, while barefoot, or while hands or feet are wet. DANGEROUS ELECTRICAL SHOCK MAY RESULT.
- During installation onto the vehicle, properly ground (bond) the generator either by solid mounting to the vehicle frame or chassis, or by means of an approved bonding conductor. DO NOT connect the bonding conductor to any generator part that might be removed or disassembled during routine maintenance. If the grounding conductor must be replaced, use only a flexible conductor that is of No. 8 American Wire Gauge (AWG) copper wire minimum.
- If the vehicle electrical circuits can be powered by any other source of electricity (such as a “dockside” power receptacle), there must be no possibility of connecting the different power sources to the vehicle circuits at the same time. The dockside (utility) power source must be positively isolated from the vehicle circuits whenever the generator is operating. Failure to isolate the vehicle circuits from the dockside power supply when the generator is running may result in damage to the generator or serious injury or death to dockside (utility) power workers due to backfeed of electrical energy.
- In case of accident caused by electric shock, immediately shut down the source of electrical power. If this is not possible, attempt to free the victim from the live conductor. AVOID DIRECT CONTACT WITH THE VICTIM. Use a nonconducting implement, such as a rope or board, to free the victim from the live conductor. If the victim is unconscious, apply first aid and get immediate medical help.
- Never wear jewelry when working on this equipment. Jewelry can conduct electricity resulting in electric shock, or may get caught in moving components causing injury.

FIRE HAZARDS

- For fire safety, the generator must be installed and maintained properly. Installation always must comply with applicable codes, standards, laws and regulations. Adhere strictly to local, state and national electrical and building codes. Comply with regulations the Occupational Safety and Health Administration (OSHA) has established. Also, ensure that the generator is installed in accordance with the manufacturer’s instructions and recommendations. Following proper installation, do nothing that might alter a safe installation and render the unit in noncompliance with the aforementioned codes, standards, laws and regulations.
- Keep a fire extinguisher in the vehicle at all times. Extinguishers rated “ABC” by the National Fire Protection Association are appropriate for use on the recreational vehicle generator electrical system. Keep the extinguisher properly charged and be familiar with its use. If there are any questions pertaining to fire extinguishers, consult the local fire department.

EXPLOSION HAZARDS

- Do not smoke around the generator. Wipe up any fuel or oil spills immediately. Ensure that no combustible materials are left in the generator compartment, or on or near the generator, as FIRE or EXPLOSION may result. Keep the area surrounding the generator clean and free from debris.
- Gasoline is extremely FLAMMABLE and its vapors are EXPLOSIVE. Do not permit smoking, open flame, sparks or any source of heat in the vicinity while handling gasoline. Comply with all laws governing the storage and handling of gasoline.
- Fuel lines must be properly installed and fastened, and free of leaks. There must be no possibility of gasoline vapors entering the vehicle interior.
- It is required that an approved, flexible, nonconductive fuel line between the generator fuel connection point and rigid fuel lines be installed.
- If the generator is equipped with a liquid propane (LP) gas fuel system, install the unit so it complies with all codes, standards and regulations pertaining to such systems. LP gas is highly explosive. The gas tends to settle in low areas where even the slightest spark can ignite it and cause an explosion. Do not allow gas vapors to enter the vehicle.

1.1 PURPOSE AND SCOPE OF THE MANUAL

These *Installation Instructions* have been prepared especially for the purpose of familiarizing installers and owners of the applicable equipment with the product's installation requirements. Give serious consideration to all information and instructions in the manual, both for safety and for continued reliable operation of the equipment.

Because of the different recreational vehicle models and the variations between the models, it would be extremely difficult, if not impractical, to provide detailed instructions for every possible installation. For that reason, instructions and illustrations in this manual are general in nature. Illustrations are not intended to serve as detailed installation blueprints.

The installation should comply strictly with all applicable codes, standards and regulations pertaining to the installation and use of this product. If any portion of this manual appears to be in conflict with such codes, standards or regulations, the applicable codes, standards or regulations must take precedence over the manual.

1.2 SAFETY

Before handling, installing, operating or servicing this equipment, carefully read the "Notice to Installer" and "Safety Rules" on pages 18 and 19. Comply with all safety rules to prevent death, personal injury or damage to equipment and/or property. Stress safety to all installers, operators and service technicians who work on this equipment.

1.3 STANDARDS BOOKLETS

Installation, use and servicing of this equipment should comply strictly with published standards, as well as the manufacturer's recommendations. The following standards booklets (latest revision) are available from the sources indicated:

1. NFPA Standard 501C, "Standard for Recreational Vehicles," available from the National Fire Protection Association, Batterymarch Park, Quincy, MA 02269.
2. NFPA 70, "NFPA Handbook of the National Electric Code," available same as Item 1.
3. ANSI C1-1975 and ANSI 119.2-1975, available from the American National Standards Institute, 1430 Broadway, New York, NY 10018.
4. ANSI A119.2/NFPA 501C, available from the Recreational Vehicle Association, 1896 Preston White Drive, Reston, VA 22090.
5. California Administrative Code, Title 25, available from the State of California, Documents Section, P.O. Box 1015, North Highlands, CA 95660.
6. CSA Electrical Bulletin 946, available from the Canadian Standards Association, Housing and Constructions Materials Section, 178 Rexdale Boulevard, Rexdale, Ontario, Canada, M9W 1R3.

1.4 EQUIPMENT DESCRIPTION

Instructions and information in this section pertain to air-cooled generators. These generators are designed specifically for installing in recreational vehicles. They operate 120-volt, single-phase, 60-Hertz, AC electrical loads that require 40.0 amps (gasoline) or 37.5 amps (LP fuel) at 120 volts.

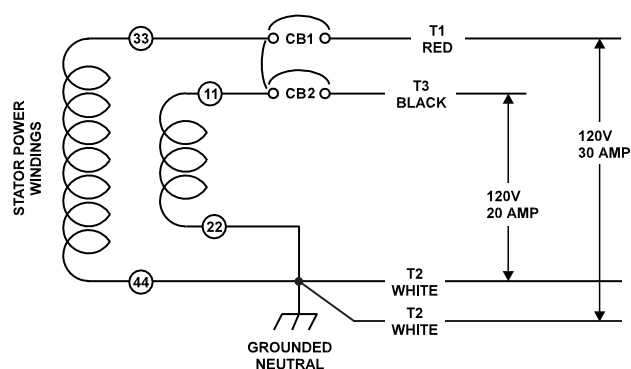
1.5 GENERATOR ENGINE OPERATING SPEED

The generator's revolving field (rotor) is driven by a single-cylinder, four-cycle engine through a pulley and drive belt arrangement. The generator supplies 120 volts AC at 60 Hertz when the rotor is operating at 3,600 rpm. The drive belt arrangement allows the engine to operate at a lower speed than the rotor.

1.6 GENERATOR AC CONNECTION SYSTEM

The generator is equipped with dual stator power windings as shown in Figure 1.1.

Figure 1.1 – 120-volt Single Voltage Connection

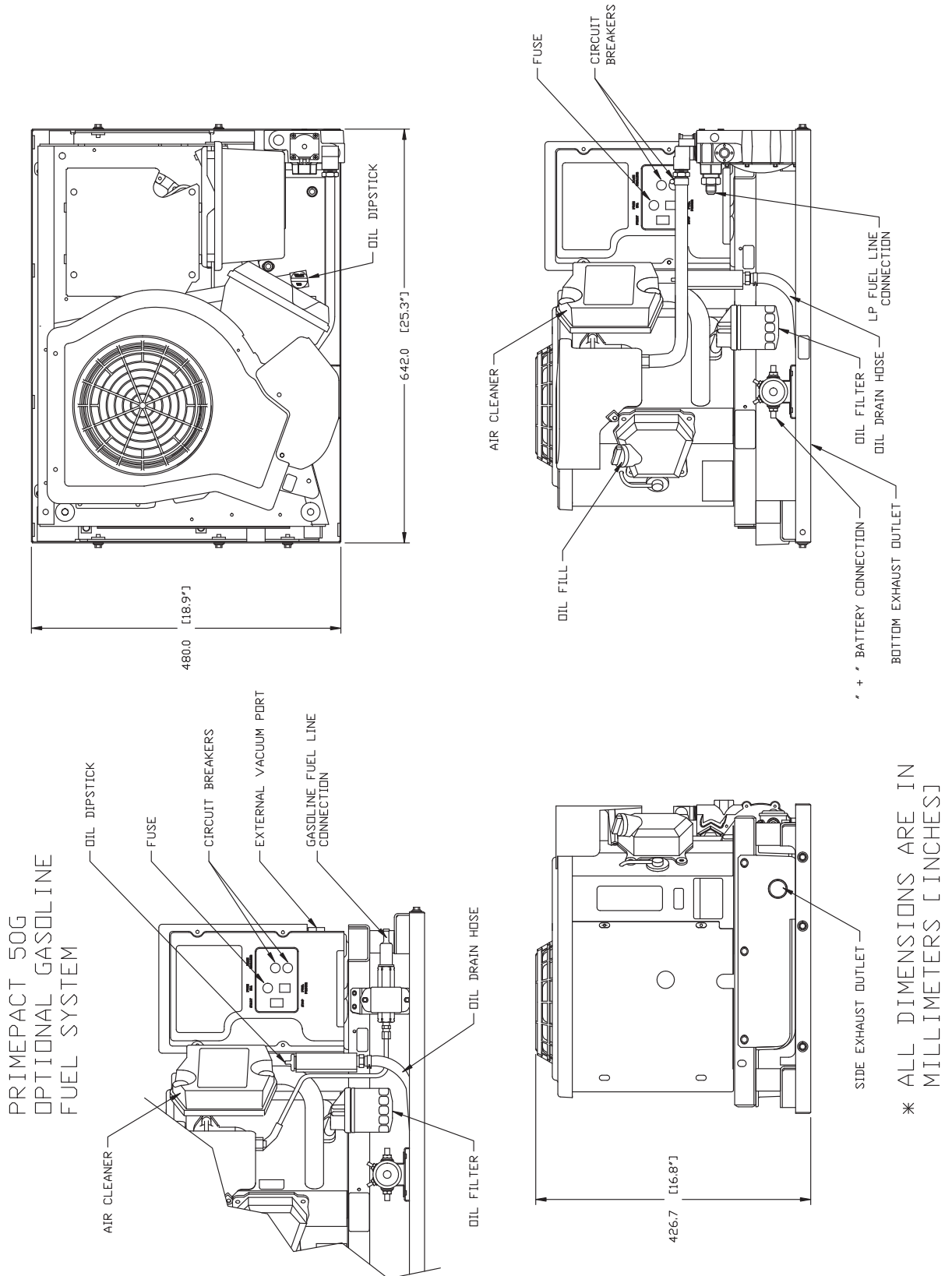


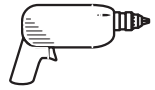
- The AC connection system on all air-cooled generators uses a GROUNDED neutral.
- A separate green ground wire is connected to the recreational vehicle's junction box.
- For these units, loads connected across T1 (red) to T2 (white), MUST NOT exceed 30 amperes or 3,600 watts, and loads connected across T3 (black) and T2 (white) MUST NOT exceed 20 amperes or 2,400 watts each at 120 volts. The combined loading of the two breakers should not exceed 5,500 watts.

NOTE:

Do NOT connect loads in excess of circuit breaker ratings.

Figure 1.2 – Major Features and Dimensions (Drawing 0F1127-A)





2.1 LOCATION AND SUPPORT

◆ 2.1.1 GENERATOR LOCATION

The most desirable location for the generator set is between the vehicle's main frame members. However, this is seldom possible. Most units must be installed on the side of the vehicle and are difficult to reinforce.

Many recreational vehicles have been factory equipped with an area for the generator set. Some vehicles may even have a generator compartment provided by the vehicle manufacturer.

Plan the generator location based on the following:

- The generator set must be installed on a framework that is part of the recreational vehicle, as outlined in the "Generator Support" section.
- The location must provide an access opening that is large enough to permit generator removal (unless the generator is to be removed from underneath the supporting framework).
- The location must provide easy access to frequently serviced components, such as filters, oil drains, spark plugs and other common maintenance parts.
- The location must provide sufficient room to allow minimum clearances as outlined in the "Generator Compartment" section. If sound insulation is to be used on the compartment walls and ceiling, the minimum recommended applies to the space between the generator and such insulation.
- The location must provide adequate cooling and ventilating airflow for the generator without a great deal of work and expense.

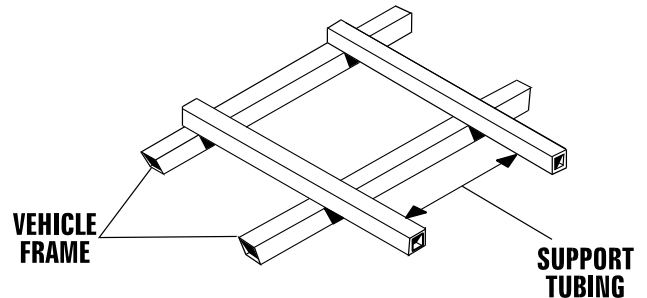
◆ 2.1.2 GENERATOR SUPPORT

The generator must be securely attached to a metal framework that has been made part of the vehicle frame structure by bolting or welding. The metal framework on which the generator will rest and which will restrain the generator set should consist of at least two horizontal beams. These beams should consist of (a) 1-1/2-inch square, 11-gauge steel tubing OR (b) 1-1/2-inch, 11-gauge angle iron. A typical supporting frame with horizontal support tubing, is shown in Figure 2.1.

The generator can be installed so that it sits on top of the horizontal support tubing if the vehicle design permits. Another method is to suspend the generator below the horizontal support tubing by means of suitable, structurally sound metal framework. The following general rules apply:

- Vehicle construction MUST be capable of supporting the weight of the generator.
- Whether the generator is mounted above the horizontal support tubing or suspended below the tubing, the supporting frame used must be structurally sound.
- If the generator cannot be bolted directly to the supporting frame or support tubing, consider using additional tubing, angle brackets or other supports to give the supporting frame sufficient strength.
-

Figure 2.1 – Typical Horizontal Support Frame

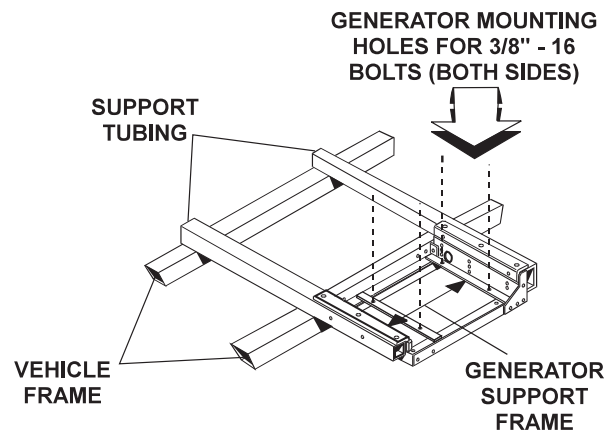


◆ 2.1.3 SUSPENDED MOUNTING

If the generator will be suspended below the horizontal support tubing, the suspension method used with the vehicle frame members must (a) be able to support the weight of the generator AND (b) provide sufficient restraint for the generator. One typical suspended mounting system is shown in Figure 2.2. The location of a suspended mounting system must be carefully planned, keeping the following general rules in mind:

- Protect the generator against road splash and debris. Baffles or splash guards may be required to protect certain areas of the generator. To make sure the generator is adequately protected, road test the installation through mud, water and slush.

Figure 2.2 – Typical Suspended Mounting System



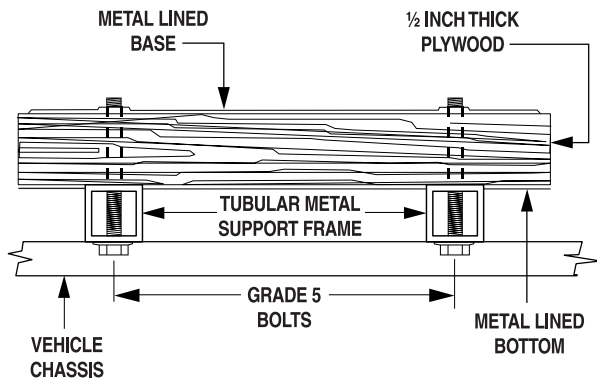
- The installer must make certain that the selected location will permit adequate cooling and ventilating airflow to be supplied.

◆ 2.1.4 GENERATOR RESTRAINT

Use four 3/8"-16 hardened steel bolts (Grade 5) to fasten the generator to the supporting frame or the support tubing. These bolts must pass through (a) the generator mounting base, (b) the compartment floor (if a compartment is used) and (c) the supporting framework (Figure 2.3). All bolts must be long enough so that when tight, at least three threads are visible past the retaining lock nuts. Refer to the "Generator Compartment" section for the location of the generator mounting holes.

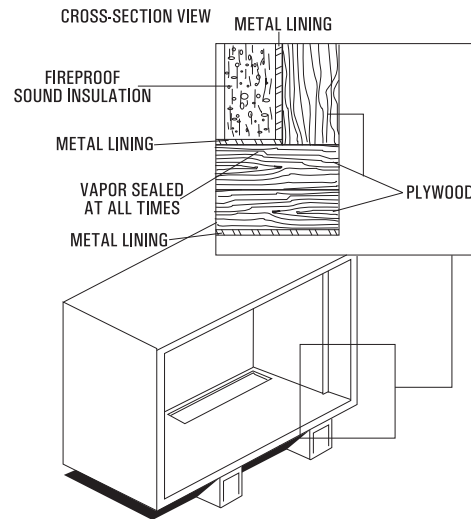


Figure 2.3 – Typical Generator Restraint



- If the compartment is lined with galvanized steel, it may be constructed of any material. The manufacturer recommends that the compartment be constructed of 1/2-inch thick plywood (not strandboard), with the floor made of a double thickness of 1/2-inch plywood with the grain of the wood at cross section for added strength (Figure 2.5).

Figure 2.5 – Typical Compartment Construction



- If constructing a compartment, line the exterior (underside) of the compartment floor with 26-gauge galvanized steel.
- All seams, splices and joints of the compartment walls (unless vapor tight by design) should be caulked to prevent poisonous, flammable or explosive vapors from entering the vehicle interior.

NOTE:

Caulking must be done so that the caulking material will stay in place permanently. Pressing such materials as putty tape onto joints and seams is NOT acceptable. A high quality silicone rubber base sealant is recommended.

- Holes and openings made in the compartment walls to allow for the passage of electrical conduit, conductors, hoses, cables, etc., into the vehicle living area must be sealed vapor tight with silicone rubber base sealant.
- If flexible metal conduit is used, it must be sealed internally at the end where it terminates inside the compartment's electrical junction box.

NOTE:

Flexible metal conduit, due to its unique construction, is NOT vapor tight along its entire length.

- Seams and joints of the galvanized steel (whether used as a liner or for the compartment itself) must be lapped and mechanically secured. Such seams may be manufactured, welded, bolted, riveted or screwed. Manufactured lock seams are shown in Figure 2.6. Installer constructed compartments typically utilize a standard lap joint.

2.2 GENERATOR COMPARTMENTS

Whether the generator set is being installed inside a compartment specifically manufactured to house a generator or inside a compartment that the installer constructs, the compartment **MUST** meet certain specifications as outlined in the following sections:

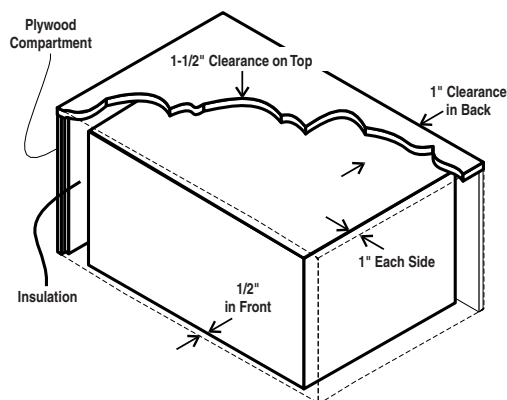
◆ 2.2.1 COMPARTMENT SIZE

Plan the compartment size carefully. Provide a minimum clearance of 1/2 inch (13 mm) on the front, 1-1/2 inches (38 mm) on the top, and 1 inch (25 mm) on the sides and back for air circulation **AFTER** the compartment has been lined with metal and sound insulation (Figure 2.4).

NOTE:

Refer to “Figure 1.2 – Major Features and Dimensions”.

Figure 2.4 – Clearances



◆ 2.2.2 COMPARTMENT CONSTRUCTION

- The generator compartment should be either constructed of, or lined with, 26-gauge galvanized steel.

NOTE:

Aluminum is NOT an acceptable alternative to galvanized steel due to aluminum's low melting point.

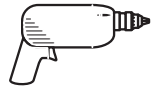
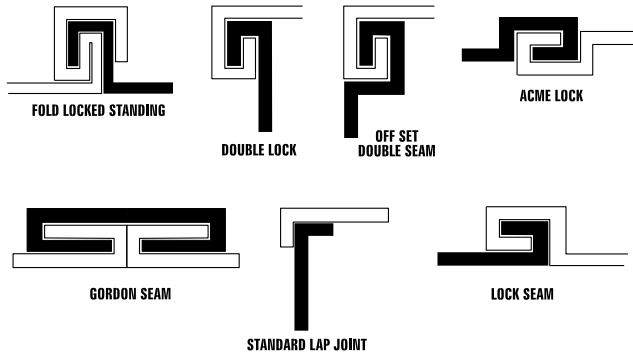


Figure 2.6 – Types of Lock Seams



- After the compartment has been metal lined and vapor sealed, line the compartment interior walls and ceiling with an approved, nonflammable sound insulating material. See the "Sound Insulating Materials" section.



- ⚠ **Do not install any flammable material directly above or around the compartment. Heat, transferred through the compartment structure, may be sufficient to ignite, char or discolor seat cushions, fiberboard and other flammable materials. Use approved nonflammable insulating materials in high temperature areas.**

◆ 2.2.3 SOUND INSULATING MATERIALS

Once installers have determined that a compartment is properly constructed and metal lined, they can add acoustical material. This may include additional sealant or insulating material, to reflect noise away from the vehicle interior.

Sound insulating materials should be of a nonflammable type. One excellent insulating material is a 1-inch (25 mm) thick fiberglass having a 2-pound density. When fiberglass is used, its coated side should face toward the compartment interior.



- ⚠ **Do not install sound insulation or any absorbent material on the compartment floor interior. Such materials will become soaked with combustible or explosive vapors and liquids and will become a fire hazard.**

Using a combination of sound insulating materials can often reduce noise more effectively than a single material. For example, a sheet of lead or visco-elastic material, along with a layer of other acoustical material, is more effective than when a single material is used.

◆ 2.2.4 ACOUSTICS

For additional noise abatement, the installer may wish to consider the following:

- Using special sound insulating materials.
- Construction of a special noise abatement compartment.

NOTE:

Any method used to reduce noise must not adversely affect the flow of cooling and ventilating air into or out of the compartment.

In addition to the effective use of sound insulating materials, construction of a special noise abatement compartment might be considered to reduce noise levels. Such a compartment might be constructed as follows (Figure 2.7):

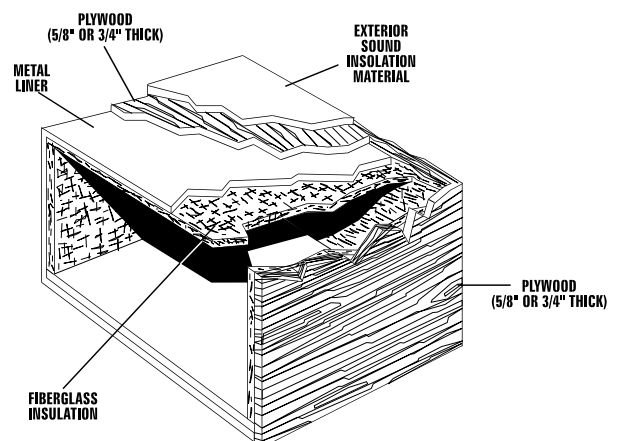
- Use 5/8-inch thick or 3/4-inch thick plywood in the compartment.
- Construct the compartment floor of a double thickness of 5/8-inch or 3/4-inch plywood.
- Line the compartment interior walls and floor, as well as the underside of the floor, with 26-gauge galvanized steel.
- Vapor seal all compartment seams and joints.
- Over the galvanized steel lining, install a combination of acoustical materials as mentioned in the "Sound Insulating Materials" section.



- ⚠ **To prevent fire or explosion, do not install any insulation or other absorbent materials on the interior or underside of the compartment floor.**

- Seal all compartment door edges to prevent noise leakage around the door perimeter.
- Line the compartment door interior (except for air openings) with suitable, fireproof sound insulation (such as 1-inch (25 mm) thick fiberglass with a 2-pound density).

Figure 2.7 – Typical Noise Abatement





◆ 2.2.5 COMPARTMENT FLOOR CUTOUTS

Provide openings in the generator compartment for the following items (Figure 2.8):

- Engine exhaust and cooling air outlets
- Generator cooling air inlet
- Four holes for passage of generator mounting bolts. See the "Generator Restraint" section.

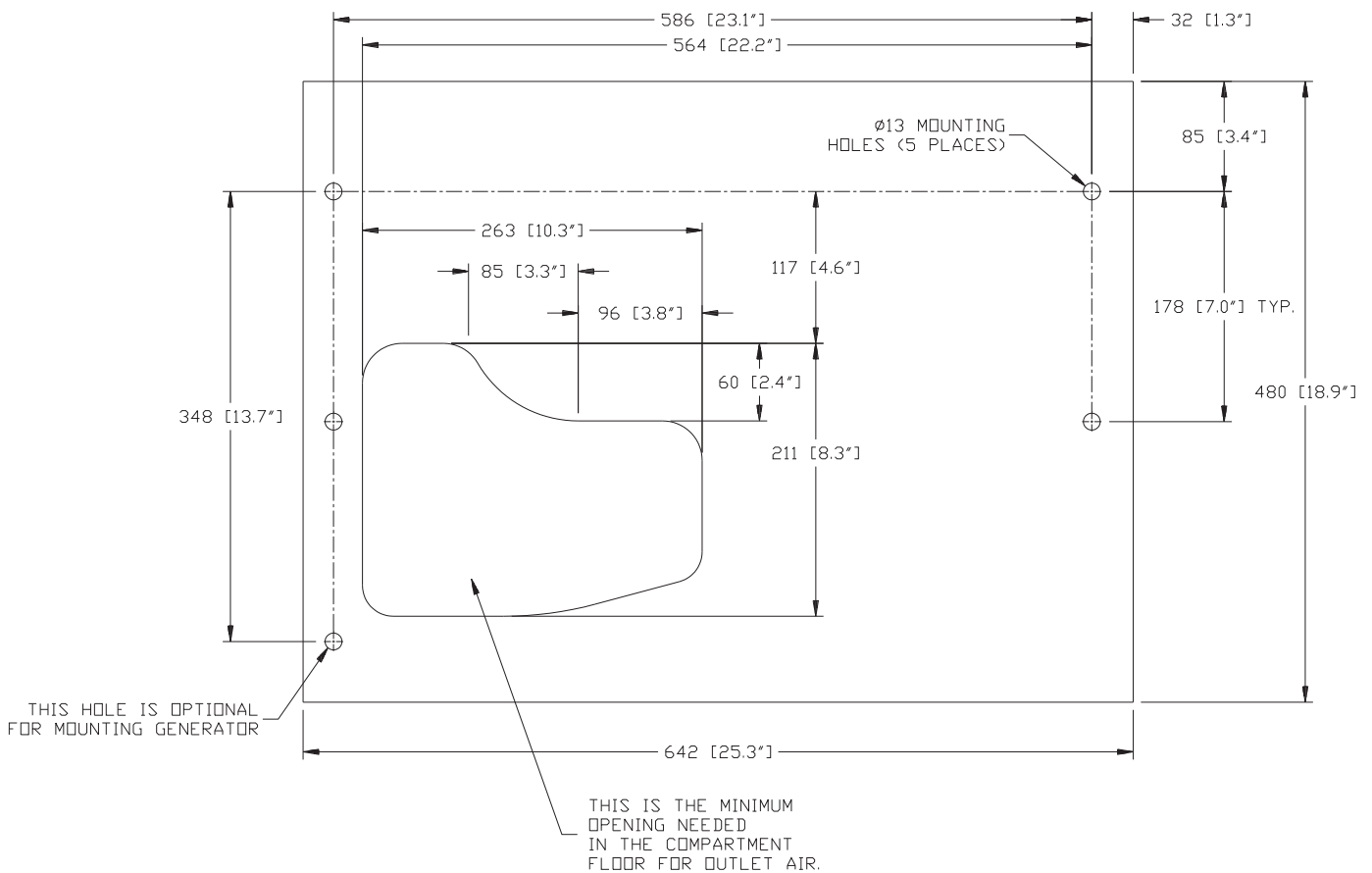


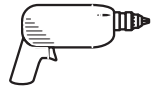
⚠ Fuel lines and exhaust piping must not penetrate into the vehicle living area.

2.3 COOLING AND VENTILATING AIR

It is absolutely essential that an adequate flow of air for cooling, ventilating and engine combustion be supplied to the generator set. Without sufficient airflow, the engine/generator quickly overheats. Such overheating can cause serious operating difficulties and also may cause fire and personal injury. The installer must make sure that sufficient air is available to the generator for cooling, ventilating and combustion. The installer also must provide for a path for exhausting the cooling air to the exterior of a compartment, if so equipped.

Figure 2.8 – Compartment Floor Cutout



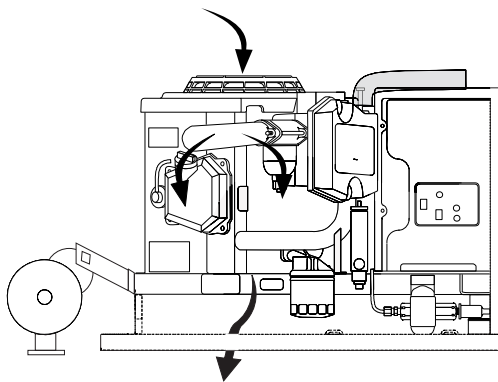


⚠ **Never use discharged cooling air for heating or permit such air to enter the vehicle interior. This air contains deadly carbon monoxide gas and other poisonous, flammable or explosive gases.**

◆ **2.3.1 GENERATOR AIRFLOW**

Engine operation drives cooling fans for the two-stage cooling air system. A pressure fan draws cooling air into the top of the generator (Figure 2.9). This airflow cools the engine/generator and electronic components. The second part of the cooling system, a suction fan, draws air that is heated from a hot engine into a collector pan at the base of the unit. This heated air (although cooler than exhaust muffler) is then deflected out the bottom toward the ground.

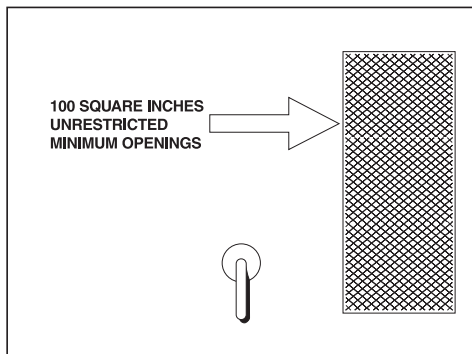
Figure 2.9 – Airflow Through Engine/Generator



◆ **2.3.2 COOLING AIR INLET OPENINGS**

The minimum size of the air inlet opening, whether the generator is housed in a conventional compartment or not, is **at least 100 square inches** (see Figure 2.10). This rule applies whether inlet air is brought in through an opening in the compartment door, an opening in the vehicle skirt, through ductwork, or by any other means.

Figure 2.10 – Air Inlet in Compartment Door



NOTE:

Screening, louvers or expanded metal that cover air openings restrict airflow. Compensate for this by making the actual air opening proportionately larger. See the "Compensating for Restrictions" section.

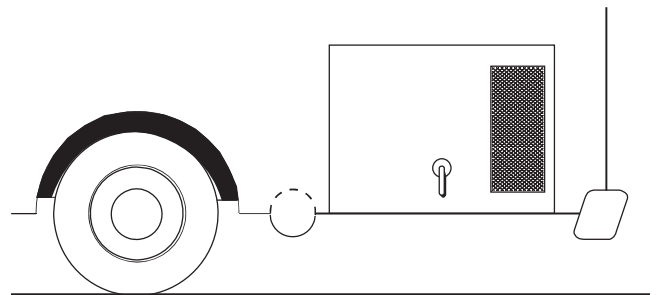
NOTE:

Be sure to meet the minimum clearances illustrated in Figure 2.4.

When the unit is installed on a suspended mounting system, one of several different methods of supplying airflow may be used as follows:

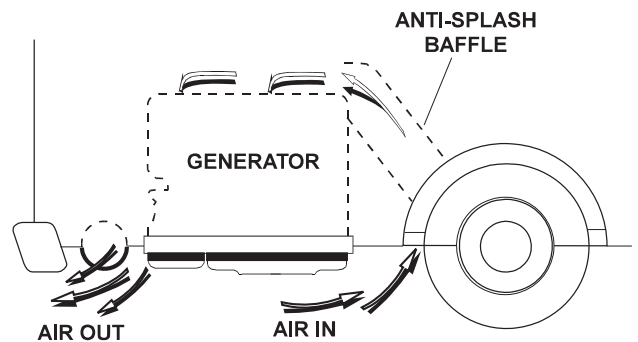
- Provide a door in the vehicle skirt having an air inlet opening (Figure 2.11).

Figure 2.11 – Suspended Mount: Inlet Door



- Using ductwork (Figure 2.12). The installer must be sure air is available to the top of the generator since air inlets are located at the top.
- By providing an opening in the vehicle skirt and space behind the generator for cooling airflow (Figure 2.13). Recommended clearance behind the back of the generator is at least 1/2 inch (13 mm).

Figure 2.12 – Air Inlet Using Ductwork



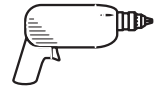


Figure 2.13 – Air Inlet in Vehicle Skirt

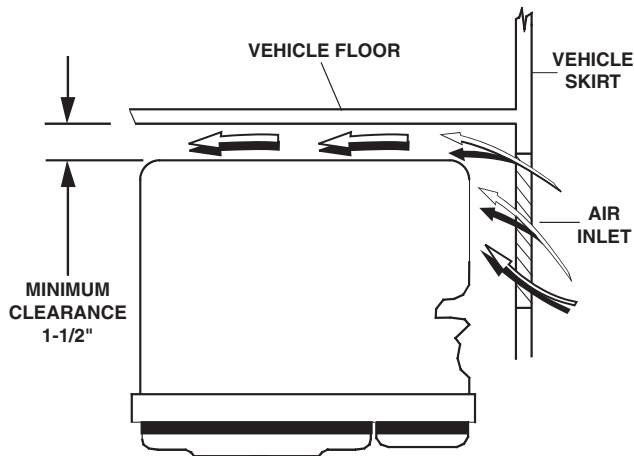
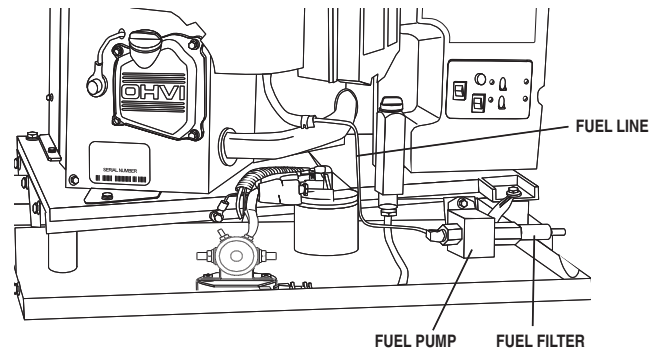


Figure 2.14 – Generator Fuel System



◆ 2.3.3 COMPENSATING FOR RESTRICTIONS

Such materials as screening, louvers or expanded metal can restrict the free flow of air. Compensate for this restriction by making the actual air opening proportionately larger.

Some materials may offer only a 60 percent “free air inlet area.” Other more efficient materials may provide up to a 90 percent free air inlet area. The percentage of free air inlet opening is usually available from the material supplier or manufacturer.

To determine the actual air inlet opening size required, divide 100 square inches by the percentage of free air inlet area for the material being used.

For example: If planning to use screening with an 80 percent free air inlet area, divide 100 by 0.8, which results in 125 square inches. Minimum actual size of air inlet opening in this case is 125 square inches.

◆ 2.3.4 TESTING THE INSTALLATION

The manufacturer recommends testing the installation to be sure adequate cooling airflow is available to the unit before placing the unit into service. If the unit shows signs of overheating, enlarge the air openings. Never place a unit into service until absolutely certain that cooling and ventilation is adequate.

NOTE:

The installation must be tested, especially if air is brought in from below the generator set.

2.4 GASOLINE FUEL SYSTEM

The installation of a gasoline fuel system (Figure 2.14) for a recreational vehicle generator set must comply with applicable codes, standards and regulations. The entire fuel system must be completely free of leaks. There must be no possibility of gasoline vapors entering the vehicle interior.

! DANGER !

! Gasoline is highly flammable, and its vapors are explosive. Comply with all codes, standards and regulations pertaining to gasoline fuel systems used in recreational vehicle generators. Properly install and maintain the fuel system and keep it entirely free of leaks. Gasoline vapors must not enter the vehicle interior.

Factory installed generator fuel system components include (a) fuel filter, (b) 12-volt DC electric pump, (c) engine carburetor, and (d) interconnecting lines and fittings. Connect a fuel supply line to the fuel filter inlet. Use a flexible length of approved fuel hose between the fuel filter inlet connection and rigid fuel lines.

◆ 2.4.1 FUEL TANK

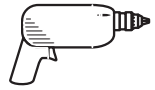
Either the generator must share the vehicle engine's fuel tank, or a separate fuel tank must be installed for the generator set. All fuel tanks installed on the vehicle must be constructed, installed and restrained so they comply with applicable codes, standards and regulations. The generator has an evaporative emissions port to evacuate accumulated gasoline vapors when necessary.

If the generator is to share the vehicle engine's tank, separate fuel pickup tubes are required for the engine and the generator. The manufacturer recommends that the fuel pickup tube be two to three inches (51 to 76 mm) shorter than the vehicle engine's pickup tube. This prevents the generator from depleting the entire fuel supply during prolonged generator operating periods.

! CAUTION !

! Do NOT tie the generator fuel supply line into the vehicle engine fuel supply line. If this is done, the generator will be starved of fuel when both engines are operating at the same time. Also, while the vehicle engine is not running, generator operation may drain the vehicle engine supply line, making it difficult to start the vehicle engine.

Gasoline generators are equipped with an evaporative emissions vacuum port that may be used in conjunction with a certified fuel system where required by law.



◆ 2.4.2 GENERATOR FUEL SUPPLY LINE

2.4.2.1 Rigid Fuel Lines

Those lines used to supply fuel from a tank to the generator must comply with applicable codes, standards and regulations. The following general rules apply to rigid fuel lines:

- Rigid lines should be of annealed, seamless, drawn aluminum or steel.
- Lines and fittings must comply with SAE J512F, “Standard Automotive Fittings,” or with ANSI B126.26 (latest edition).
- Route the fuel line so that at least 2 inches (51 mm) of clearance is maintained between the line and any exhaust system parts.
- Do not attach electrical wiring to fuel lines. Route the wiring so it cannot come into contact with any fuel line.
- Route fuel lines so if they leak, fuel does not drip onto any electrical or exhaust system parts.
- Use nonferrous metal straps without sharp edges to secure fuel lines.

2.4.2.2 Flexible Fuel Line

Use an approved flexible length of fuel hose between the generator fuel inlet connection and rigid fuel lines. This prevents breaking of the line caused by vibration, shifting, settling or movement. The following rules apply:

- The flexible hose must comply with SAE J1737 (30R7), “Standard for Fuel and Oil Hose.” It must be approved for use with gasoline and low permeability.
- The hose should be at least 6 inches (152 mm) longer than is needed to prevent the hose from rupturing if the generator shifts or settles.

2.5 LP GAS FUEL SYSTEM



⚠ LP gas is highly EXPLOSIVE. The gas is heavier than air and tends to settle in low areas. Even the slightest spark can ignite it and cause an explosion. Only competent, qualified people should be allowed to install, test, adjust or service an LP gas fuel system. Install the optional fuel system in compliance with applicable codes, standards and regulations. After the installation, do not do anything that might render the system in noncompliance with applicable codes and standards.

The LP powered range of generators are fitted with a nonadjustable, factory set system. These systems are tamper-proof to meet 1997 California Air Resources Board requirements for engine emission.

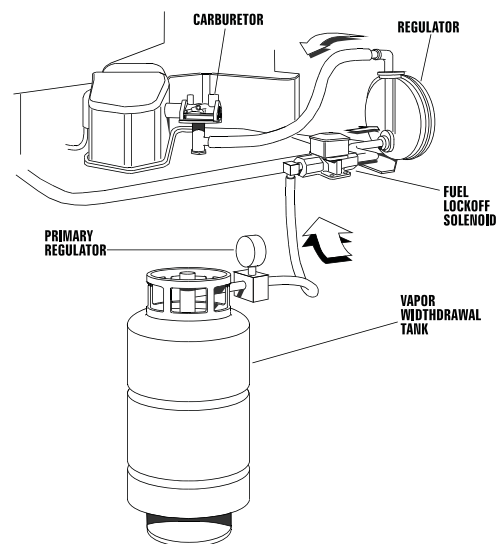
◆ 2.5.1 PARTS NOT INCLUDED IN FUEL SYSTEM

The propane fuel system does NOT include such items as (a) gas tank, (b) gas piping, (c) fittings, (d) valves, and (e) primary regulator, used to store the gaseous fuel and deliver it to the gaseous fuel solenoid (Figure 2.15).



⚠ Use only approved components in the fuel supply system. All components must be properly installed in accordance with applicable codes. Improper installation or use of unauthorized components may result in fire or an explosion. Follow approved methods to test the system for leaks. No leakage is permitted. Do not allow fuel vapors to enter the vehicle interior.

Figure 2.15 – Typical Propane Gas Fuel System



◆ 2.5.2 SOME IMPORTANT CONSIDERATIONS

When installing an LP gas system, consider seriously the following items:

- All fittings, lines, hoses and clamps must be tight and free of leaks. Apply a pipe sealant to threads when assembling threaded connections. This reduces the possibility of leakage.
- Test the entire fuel system for leaks using approved test methods.
- Optimum gas pressure at the inlet to the gaseous fuel solenoid valve and secondary regulator is 11 inches water column.
- The installer’s fuel supply connection point is at the gaseous fuel solenoid valve. This is a 3/4-inch (female) connection. Provide a suitable 3/4-inch NPT (male) connector to attach to the fuel supply line.
- Use a length of approved flexible fuel hose between the gaseous fuel solenoid valve and rigid gas piping. The flexible line should be at least six (6) inches longer than necessary.



◆ 2.5.3 VAPOR WITHDRAWAL

LP gas is stored in pressure tanks as a liquid. The gas systems used with these generators were designed only for vapor withdrawal type systems. Vapor withdrawal systems use the gas vapors that form above the liquid fuel in the tank. Do NOT attempt to use the generator with any liquid withdrawal type system.

◆ 2.5.4 PRIMARY REGULATOR

Gas pressure delivered to the solenoid valve must be properly regulated by means of a primary gas regulator. Mount the primary regulator at the gas tank outlet or in the supply line from the gas tank. The following rules apply:

- For best results, the primary regulator supplies gaseous fuel to the secondary regulator at 11 inches water column. Do NOT exceed 14 inches water column.
- The installer must be sure the primary regulator is rated at sufficient gas flow to operate the generator plus all other gas appliances in the circuit.

NOTE:

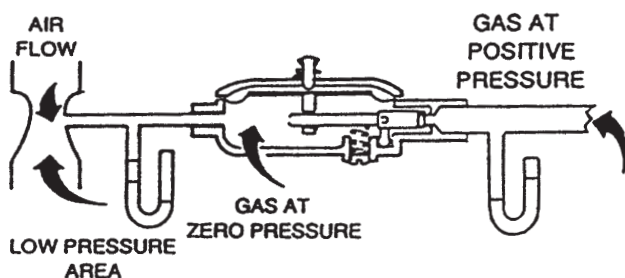
Recommended MINIMUM gas flow rate for all air-cooled generators is 67 cubic feet per hour.

If an existing primary gas regulator does not have a sufficient flow capacity for the generator and other gas appliances in the circuit, (a) install a primary regulator with adequate flow rate, or (b) install a separate regulator only and rated at least 67 cubic feet per hour. The inlet side of any primary regulator that supplies the generator must connect directly to a gas pressure tank. Do NOT tee the generator line into a gas circuit feeding other areas.

◆ 2.5.5 GASEOUS CARBURETION

LP gas vapors should be supplied to the secondary regulator inlet at about 11 inches water column (positive pressure). The engine pistons draw air in during the intake stroke (Figure 2.16). This air passes through a carburetor venturi, which creates a low pressure that is proportional to the quantity of air being pumped. The low pressure from the carburetor venturi acts on the regulator diaphragm to pull the diaphragm toward the source of low pressure. A lever attached to the diaphragm opens a valve to permit gas flow through the carburetor.

Figure 2.16 – LP Gas Carburetion Diagram



The greater the airflow through the carburetor venturi, the lower the pressure at the venturi throat. The lower the pressure at the venturi throat, the greater the diaphragm movement, and the greater the movement of the regulator valve. The more the regulator valve opens, the greater the gas flow that is proportional to airflow through the generator.

The following facts about the secondary regulator must be emphasized:

- The regulator must be sensitive to venturi throat pressure changes throughout the operating range.
- The regulator must be properly adjusted so it will stop the flow of gas when the engine is not running (no air flow through the carburetor).
- The slightest airflow (and vacuum in the venturi throat) should move the regulator valve off its seat and permit gas to flow.

◆ 2.5.6 FUEL SUPPLY LINES

- LP gas lines must be accessible, but protected against possible damage.
- Do NOT connect electrical wiring to any LP gas fuel line or run wiring alongside the lines.
- Route gas lines away from hot engine exhausts.
- Retain gas lines with metal clamps that do not have sharp edges.
- Install an approved length of flexible hose between the gaseous fuel solenoid valve and rigid fuel supply lines. The flexible line must be nonmetallic, nonorganic and nonconductive. It must be approved for use with LP gas.

◆ 2.5.7 EXCESS FLOW VALVE

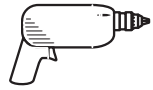
LP gas tanks should have an excess flow valve, according to NFPA 501C, Paragraph 3-4.4. This valve and the gas lines must be carefully sized so the valve will close when a fuel line is severed or broken. Consult the Natural-LP Gas Association for information and limitations of excess flow valves.

Manual shutoff valves on the supply tank and elsewhere in the system must be fully open when operating the generator. The excess flow valve functions properly only if all valves are fully open.

◆ 2.5.8 LEAKAGE TESTS

Do not place the generator into service until the gas system has been properly tested for leaks. To test the system, a separate source of 12 volts DC is needed to open the gaseous fuel solenoid valve.

The leak test must comply fully with NFPA, Paragraph 318. All connections, hoses, valve regulators, fittings, and other fuel system parts must be tested under gas or air pressure of not less than 90 psi (620 kPa), while using soap and water or an equivalent solution to check for leaks. Other approved methods of testing for leaks may be used, if appropriate. **DO NOT USE ANY FLAME TO TEST FOR LEAKS.**

**DANGER**

- ⚠ **Gaseous fuel lines between the tank and the secondary regulator are under a positive pressure (about 11 inches water column). Gas pressure at the outlet side of the secondary regulator, however, is a negative pressure and can draw flame inside a line or fitting and cause an explosion.**

2.6 EXHAUST SYSTEM

The generator exhaust system must be safely and properly installed. Only approved mufflers and other exhaust system parts must be used. A properly installed exhaust system must be vapor tight, quiet and completely safe.

**DANGER**

- ⚠ **The generator engine gives off DEADLY carbon monoxide gas through its exhaust system. This dangerous gas, if breathed in sufficient concentrations, can cause unconsciousness or even death. Never operate the generator set with the vehicle inside any garage or other enclosed area. DO NOT OPERATE THE GENERATOR IF THE EXHAUST SYSTEM IS LEAKING OR HAS BEEN DAMAGED. SYMPTOMS OF CARBON MONOXIDE POISONING ARE (a) inability to think coherently; (b) vomiting; (c) twitching muscles; (d) throbbing temples; (e) dizziness; (f) headaches; (g) weakness; and (h) sleepiness. IF FEELING ANY OF THESE SYMPTOMS, MOVE INTO FRESH AIR IMMEDIATELY. IF SYMPTOMS PERSIST, GET MEDICAL HELP. Do not operate the generator until its exhaust system has been inspected and properly repaired.**

**CAUTION**

- ⚠ **Never tee the generator engine exhaust pipe into the vehicle engine exhaust piping. This causes excessive back pressure on the generator engine. Also, water from one engine can damage the other engine.**

◆ 2.6.1 MUFFLERS AND SPARK ARRESTORS

This muffler meets code and standard requirements of the U.S. Forest Service. Use only mufflers and parts approved by the manufacturer. Any person(s) installing an unapproved muffler, or an unapproved exhaust system part, or modifying an exhaust system in any way that might cause a hazard, is liable for any damage, injury or warranty expense that might be caused by such unapproved installation or modification.

Failure to provide and maintain a spark arrestor may be in violation of the law. If this generator is used on any forest covered, brush covered or grass covered unimproved land, a spark arrestor must be installed. The vehicle owner or operator must maintain this device in good condition. In the state of California, the preceding is required by law (Section 4442 of the California Public Resources Code). Other states may have similar laws. Federal laws apply on federal lands.

◆ 2.6.2 TYPE OF EXHAUST SYSTEM

Two types of exhaust systems for these generators are available from the manufacturer. They include the following:

- “Out-the-bottom” exhaust system dimensions are 15/16” O.D., model 9742.
- “Out-the-side” exhaust system dimensions are 1-1/4” O.D., 18 gauge, model 4172.

NOTE:

No matter what type of exhaust kit best fits the recreational vehicle, the mounting base has openings for either “bottom-out” or “side-out” exhaust systems. Use the cover plate provided with the generator to cover the opening NOT used.

◆ 2.6.3 EXHAUST SYSTEM SAFETY

- Maintain a clearance of at least 3 inches (76 mm) between exhaust system parts and any combustible material (such as wood, felt, cotton, organic fibers or other like material). If the 3-inch (76 mm) clearance cannot be maintained, locate, insulate or shield the exhaust part(s) so that the temperature of any combustible material is not raised more than 117° F (65° C) above the ambient air temperature.
- Extend the exhaust system at least 1 inch (25 mm) past the outer edge of the vehicle. Do not terminate the exhaust system under the vehicle.
- Terminate the exhaust tailpipe such that exhaust gases will not be drawn back into the generator compartment and recirculated.
- If there is any possibility of the tailpipe or muffler being damaged, protect these damage-prone areas by means of a protective device (such as a skid bar).
- Install the generator exhaust system according to safe automotive practices.
- Use enough exhaust system hangers to prevent any part of the system from being dislocated.
- Use exhaust system parts recommended by the manufacturer. Using unapproved exhaust mufflers and exhaust system parts is the responsibility of the person(s) installing such unauthorized parts.
- Do not terminate the exhaust system under any opening, window or vent that can be opened or is not permanently sealed from the vehicle interior.
- Exhaust piping must be large enough to prevent excessive back pressure on the generator engine.



- Never tee the generator engine exhaust pipe into the vehicle engine exhaust piping. This causes excessive back pressure on the generator engine. Also, water from one engine can damage the other engine.
- Plan exhaust system installation carefully. Comply with all applicable codes, standards and regulations.

2.7 ELECTRICAL CONNECTIONS

Be sure to read the "Generator AC Connection System" section.

The following general rules apply to electrical connections in a recreational vehicle:

- Qualified electricians who are familiar with applicable codes, standards and regulations should install electrical wiring.
- The wiring should comply with codes, standards and regulations. The National Electrical Code (NFPA 70), and state and local codes apply.
- Switches and circuit breakers should be of a type approved for use in recreational vehicles and must be mounted and installed to prevent damage from road shock.
- Wiring must be of adequate size, have approved insulative qualities and be properly supported.
- Conduit and wire openings into the generator compartment (if used) must be vapor-sealed to prevent entry of flammable, explosive or poisonous gases into the vehicle.

◆ 2.7.1 ELECTRICAL JUNCTION BOX

Install an approved, square electrical junction box with a blank cover on the interior or exterior wall of the area planned for installation of the generator (NOT on the generator). Route the generator's AC output leads into this junction box through approved flexible conduit. This is the point of first termination for generator AC output leads.

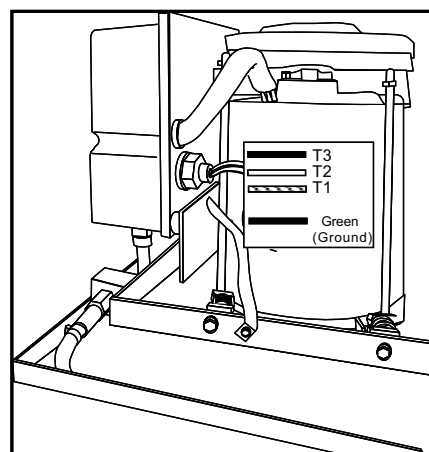
◆ 2.7.2 WIRING

- Wiring should be of stranded copper to reduce the chance that vibration may cause breakage.
- Wire gauge size should be large enough to handle at least 115 percent of the installed generator's rated maximum current.
- If neutral conductors are used, they must be the same size as other leg wires.
- Route power supply conductors from generator AC output leads T1 (red), T2 (white), T3 (black) and the green ground wire through approved flexible conduit to the electrical junction box on the compartment wall.
- If flexible metal conduit is used between the generator and the compartment junction box, the conduit end that terminates the compartment junction box must be vapor-sealed. Flexible metal conduit is NOT vapor tight along its entire length.
- From the junction box, route power supply wires through approved conduit to either (a) double-pole, double-throw transfer switch, or (b) approved isolation receptacle. Connecting to a transfer switch or isolation receptacle must prevent vehicle electrical circuits from being connected to two different power supplies at the same time (such as generator and dockside power).
- Conductors must be rated 221° F (105° C) or must be of a larger conductor size.

◆ 2.7.3 GENERATOR AC CONNECTIONS

Generator AC output leads T1 (red), T2 (white) and T3 (black) come out of the generator as shown in Figure 2.17. Leads T1 (red) and T3 (black) are "hot," while T2 (white) is the grounded neutral lead. There is also a green lead that connects to ground in the junction box of the recreational vehicle.

Figure 2.17 – Generator AC Output Leads



Line T1 (red) to T2 (white) is protected against overload by a 30-amp circuit breaker (CB1). Use this line-to-neutral connection separately to operate 120-volt, single-phase, 60 Hertz, AC loads requiring up to 3,600 watts (3.6 kW) of power. Line T3 (black) to T2 (white) also is protected against overload by a 20-amp circuit breaker (CB2). Use this line-to-neutral connection separately to operate similar loads. However, be sure the total unit load does not exceed the maximum rating of the generator. The neutral line (T2, white) on all units is a grounded neutral.

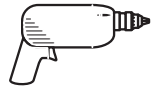


⚠ Do NOT connect electrical loads in excess of any circuit breaker rating or problems with circuit breaker tripping will develop, which causes a loss of AC output. Also, do NOT exceed the generator's rated wattage capacity. Add the watts or amperes of all lighting, appliance, tool and motor loads the generator will operate at one time. This total should be less than the unit's rated wattage/ amperage capacity.

◆ 2.7.4 CONDUIT

Route the connections between the generator and the junction box through approved, flexible conduit. The following general rules apply:

- Cut wiring to the required length and allow extra wire for junction box connections.
- Carefully prepare conduit ends to prevent sharp edges from cutting through wiring insulation.



- Route conduit so it does not interfere with generator movement.
- If using metallic conduit, vapor seal the end of the conduit where it enters the junction box. Do this because flexible metallic conduit is not vaporproof along its entire length.

◆ **2.7.5 ISOLATING DIFFERENT POWER SOURCES**

Connections from the junction box must terminate in a double-pole, double-throw transfer switch (Figure 2.18). An alternate method for isolating different power sources is by using an isolating receptacle (Figure 2.19). Whichever method is used, be certain that both power sources are NOT connected at the same time.

◆ **2.7.6 POWER SUPPLY CORD**

The power supply cord must comply with all applicable codes, standards and regulations. It must be large enough to handle the full amperage to which it will be subjected.

◆ **2.7.7 GROUND FAULT CIRCUIT INTERRUPTERS**

The National Electrical Code (NFPA 70, 551-7) requires that ground fault circuit interrupters (GFCIs) on all external and some internal electrical receptacles be installed. Contact the manufacturer or dealer for recommendations.

2.8 BATTERY INSTALLATION

◆ **2.8.1 RECOMMENDED BATTERY**

Install a battery that meets the following requirements:

- The battery must be a 12-volt, automotive type storage battery.
- For prevailing ambient temperatures above 32° F (0° C), use a battery rated 70 amp-hours and capable of delivering 400 cold-cranking amperes.
- For prevailing ambient temperatures below 32° F (0° C), use a battery rated 95 amp-hours and capable of delivering 400 cold-cranking amperes.

NOTE:

If the battery is to be used to power other vehicle accessories, as well as start the generator, a battery with a larger capacity may be needed.

◆ **2.8.2 BATTERY CABLES**

Using battery cables that are too long or too small in diameter may cause a drop in voltage, which causes starting problems. For the best cold weather starting, the voltage drop between battery terminals and the generator connection point should not exceed 0.12 volts per 100 amperes of cranking current.

Figure 2.18 – Transfer Switch Isolation Method

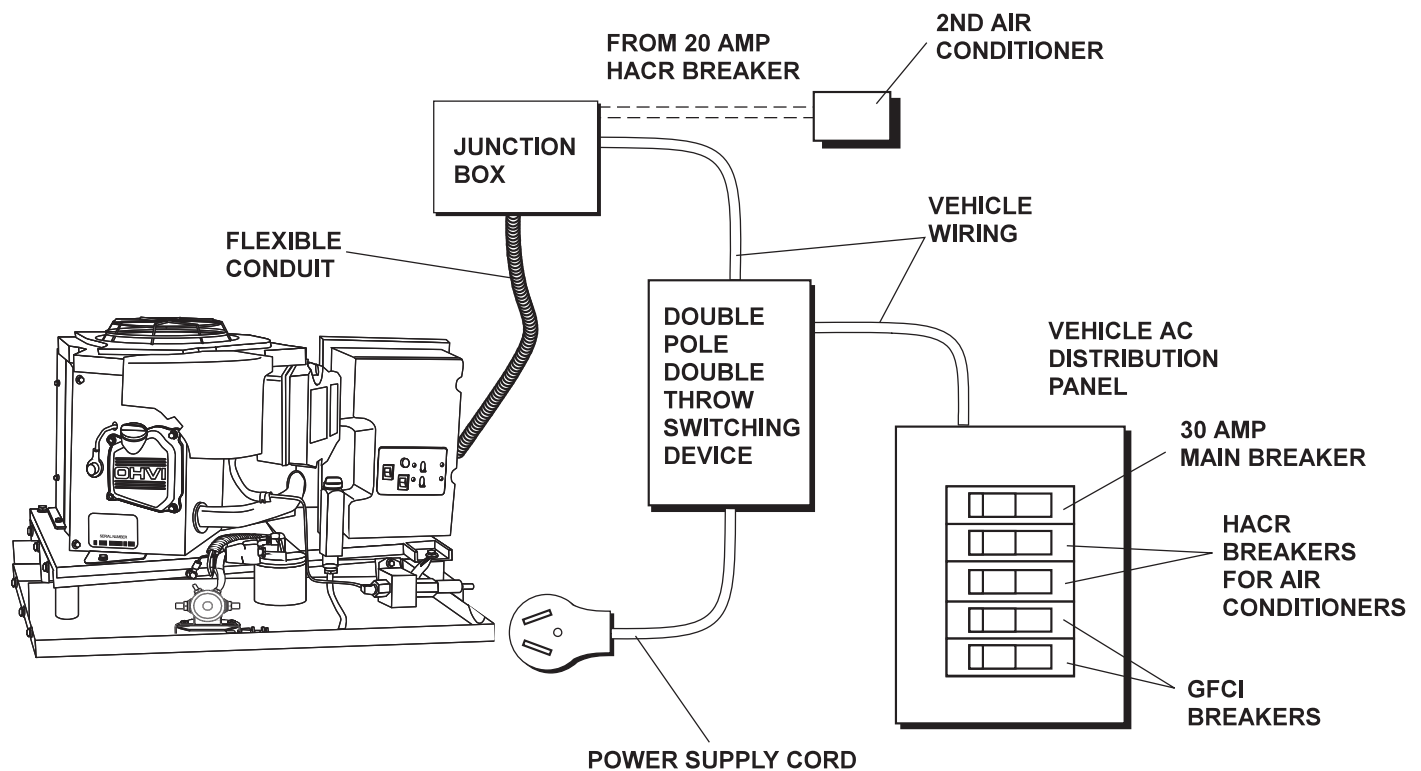
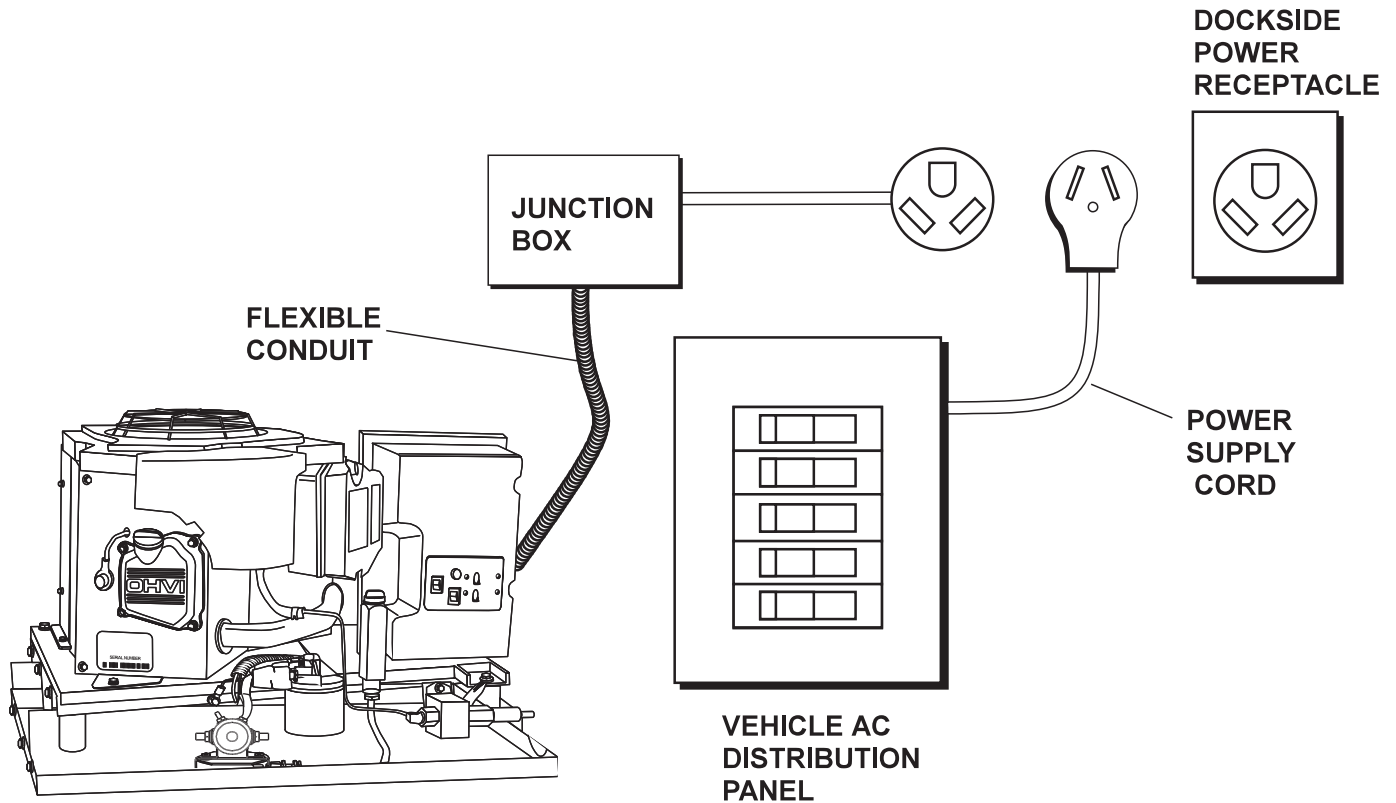




Figure 2.19 – Installation With Isolation Receptacle



These generators are rated at about 100 DC amperes of cranking current.

Select battery cables based on (a) cable length and (b) prevailing ambient temperatures. Generally, the longer the cable and the colder the weather, the larger the cable size must be, as shown in the chart.

CABLE LENGTH in Feet (meters)	CABLE SIZE
0 to 10 (0 to 3)	2*
11 to 15 (3.4 to 4.5)	0
16 to 20 (4.5 to 6)	000
*For warm weather, use No. 2 cable up to 20 feet.	

◆ 2.8.3 BATTERY CABLE CONNECTIONS

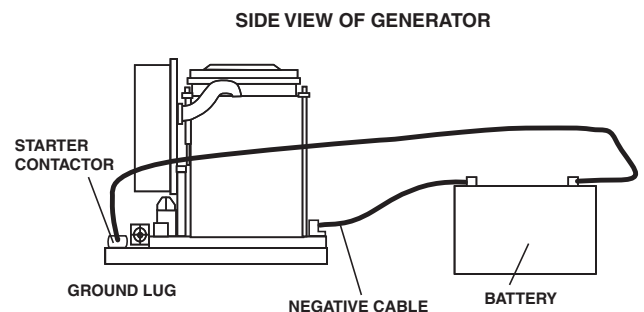
1. Connect the battery cable from the battery post or terminal indicated by a POSITIVE, POS or (+) to the lug on the starter contactor (Figure 2.20).

NOTE:

Check to be sure the battery cable boot for the starter cable has been installed.

2. Connect the battery cable from the battery post indicated by a NEGATIVE, NEG or (-) to the frame ground connection (Figure 2.20).
3. Connect cables so the connectors are clean and tight.

Figure 2.20 – Connecting Battery Cables



◆ 2.8.4 BATTERY COMPARTMENT

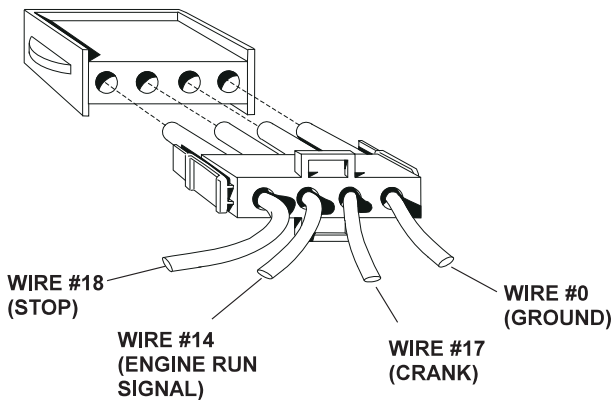
Install the generator battery in its own, vented compartment. Place the battery compartment away from any source of heat, sparks or flame.

Provide ventilation openings in the battery compartment. The minimum size of openings should be 2 square inches at the top of the compartment. Mount the battery on a strong, rigid supporting structure, where leaks and spills of battery fluid will not cause damage.

2.9 OPTIONAL ACCESSORIES

A plug-in receptacle (Figure 2.21) is provided on the generator set, above the muffler enclosure. Use this receptacle to connect an optional remote-mounted start/stop panel to the generator. Installation of such a panel will permit starting and stopping the generator engine from any convenient location inside the vehicle.

Figure 2.21 – Remote Panel Plug-in Receptacle



◆ 2.9.1 REMOTE PANEL MODELS

The remote panels mount a rocker type start/stop switch, a “Generator Run” advisory lamp and an hourmeter. The hourmeter should be used in conjunction with the maintenance operations found in Part I of this manual. The Prime switch is not connected, it must be used with jumper wire OG7666.

- Model 0F0429 includes the remote panel and a 10 foot long, 5-wire harness.
- Model 0F0430 includes the remote panel and a 30 foot long, 5-wire harness.

3.1 POST INSTALLATION TESTS

The air-cooled generator set was factory tested and adjusted. It should not be required to adjust the unit any further except under special circumstances.



- ▲ **Do not make any unnecessary adjustments. Factory settings are correct for most applications. When making adjustments, however, be careful to avoid overspeeding the engine.**

3.2 BEFORE INITIAL START-UP

Before starting, complete the following:

1. Check the engine crankcase oil level and, if necessary, fill to the dipstick “FULL” mark (cross-hatched area) with the recommended oil. Do not fill above the FULL mark.
2. Check the fuel supply. Gas fuel lines must have been properly purged and leak tested in accordance with applicable fuel codes. All fuel shutoff valves in the fuel supply lines must be open.



- ▲ **If a liquid propane (LP) gas fuel system has been installed, it must be properly tested for leaks before operating the system in compliance with ANSI A119.2/NFPA 501C. No leakage is permitted. Be sure no gasoline fuel vapors enter the vehicle interior.**

3.3 INITIAL START

When absolutely certain that the unit has been properly installed and prepared for use, start the engine as follows:

1. Turn off all electrical loads. Do this by setting the generator’s main circuit breakers to their “OFF” (or open) position.
2. Refer to Part I, section “Starting the Generator”, for cranking and starting instructions. The engine may require more cranking for initial starting since the fuel lines have to be primed (use of the primer switch will shorten this time).
3. Let the engine warm up for about five minutes to allow internal temperatures to stabilize.
4. Carefully inspect the engine/generator for fuel, oil and exhaust system leaks. Before proceeding to the next step, correct any leakage immediately.
5. When all tests and adjustments at no-load are completed, apply electrical loads and check for proper operation under load. See the “Testing Under Load” section. Run the unit at least 30 minutes with loads applied.
6. Turn off all electrical loads by setting the generator’s main circuit breakers to their “OFF” (or OPEN) position.
7. Let the unit run at no-load for a few minutes to stabilize internal engine/-generator temperatures. Then, shut down the engine.

NOTE:

The generator set was thoroughly tested and adjusted at the factory before shipping. No additional adjustment should be necessary. Only qualified service technicians who have been trained should perform adjustments outlined in this manual.

3.4 TESTING UNDER LOAD

Apply electrical loads equal to about 75 to 100 percent of the unit's rated wattage/ampere capacity.

Let the unit run at least 30 minutes with load applied. During this part of the test, check that the unit is not running excessively hot and that adequate cooling airflow is available. Do not allow the unit to overheat during prolonged operation.

NOTE:

The generator engine is equipped with a high temperature switch. The switch has normally closed (N.C.) contacts. When the engine temperature is too high, switch contacts close, and the engine shuts down automatically.

THE MANUFACTURER RECOMMENDS TESTING THE GENERATOR FOR ADEQUATE COOLING.

3.5 INSTALLATION CHECKLIST

◆ LOCATION AND SUPPORT

- Generator is properly located.
- Generator is properly supported.
- Generator is properly restrained.

◆ GENERATOR COMPARTMENT

- Compartment construction is proper.
- Holes/Openings are vapor-sealed.
- Compartment size is correct.
- Compartment is vapor-sealed.
- Sound insulation is correct.
- Floor cutouts are properly completed.

◆ COOLING AND VENTILATING AIR

- Airflow is adequate.
- Air inlet opening is correct.
- Compensate for restrictions.
- Check that installation has been tested.

◆ GASOLINE FUEL SYSTEM

- Fuel tank complies with all applicable codes.
- Fuel system is properly installed and checked for leaks.

◆ OPTIONAL LP GAS FUEL SYSTEM

- Fuel system is properly installed and checked for leaks.
- Pressure at regulator inlet is correct.
- Rated flow of primary regulator is correct.
- All parts are properly installed.
- Fuel system is properly tested/adjusted.

◆ EXHAUST SYSTEM

- Exhaust system complies with all applicable codes.
- Exhaust system is properly and safely installed.

◆ ELECTRICAL CONNECTIONS

- Connections comply with local code requirements and all National Electrical Codes.
- Junction box is properly installed.
- Wiring meets all standards.
- All connections are correct.
- Conduit is properly installed and sealed.
- Generator is properly bonded to the vehicle.

◆ BATTERY INSTALLATION

- Recommended battery is installed.
- Recommended cables are installed.
- Cables are clean and tight.
- Cables are connected properly.
- Proper ventilation is provided.
- Terminals are coated with anti-corrosion grease, and terminal covers are positioned.

◆ OPTIONAL ACCESSORIES

- Check that remote start/stop panels (if used) are installed properly.
- Check that hourmeter kit (if used) is installed properly.
- Check that any other options and accessories (if used) are installed properly.

◆ POST INSTALLATION TESTS

- Check that all tests are completed properly.

DATE OF INSTALLATION _____

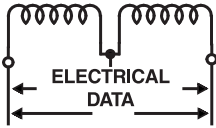
NAME OF INSTALLER _____

SIGNATURE OF INSTALLER _____



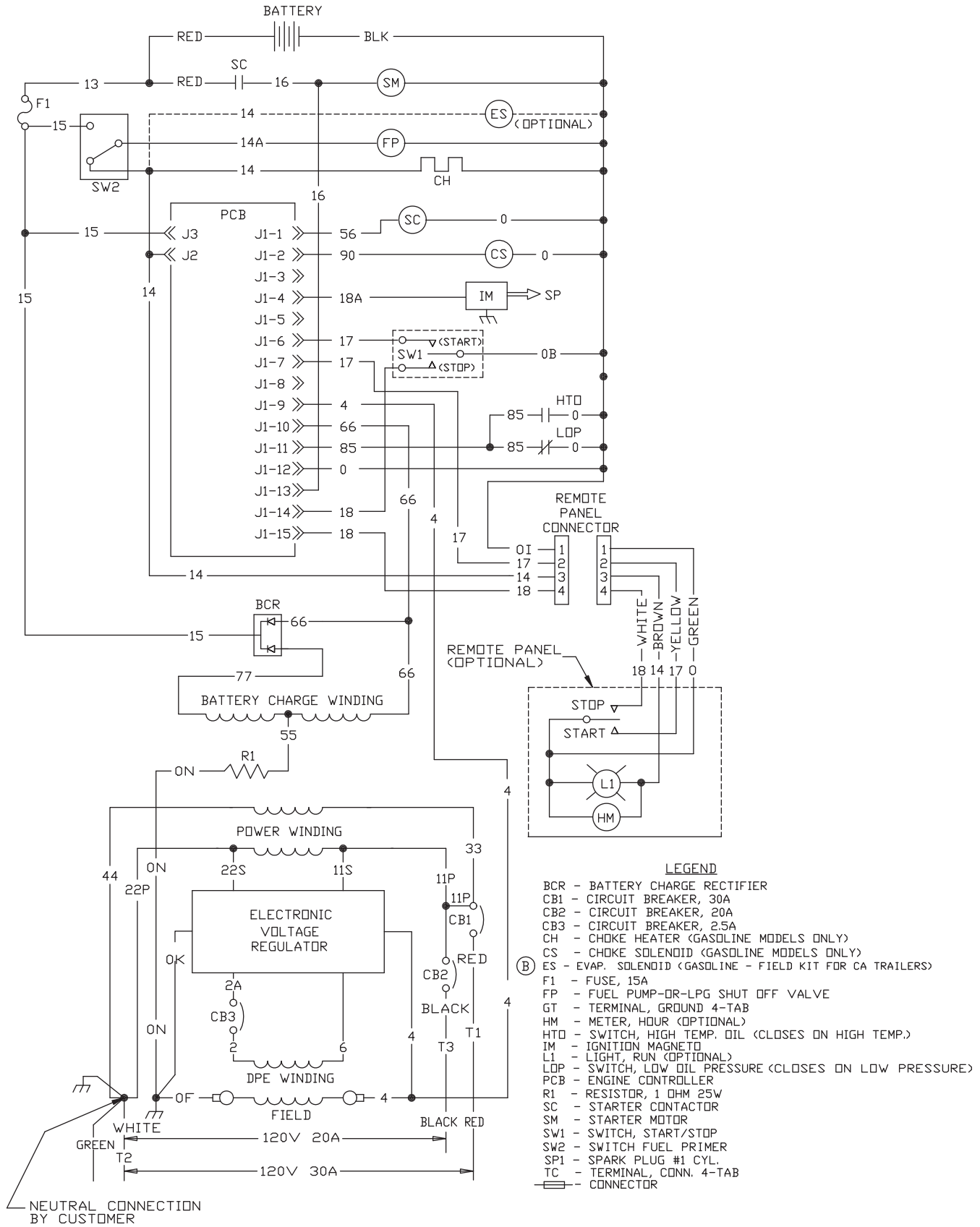
TRUBLESHOOTING GUIDE

Problem	Cause	Correction
The engine will not crank.	<ol style="list-style-type: none"> 1. Fuse blown 2. Loose, corroded or defective battery cables 3. Defective engine Start/Stop switch 4. Defective starter contactor 5. Defective starter motor 6. Low or defective battery 	<ol style="list-style-type: none"> 1. Replace fuse. 2. Tighten, clean or replace as necessary. 3. Replace Start/Stop switch. 4. Replace contactor. 5. Replace starter motor. 6. Charge or replace battery.
The engine cranks but will not start.	<ol style="list-style-type: none"> 1. Out of fuel 2. Defective fuel pump 3. Open #14 wire from engine control board 4. Flooded engine 5. Defective spark plug(s) 6. Fuel line shut-off closed 7. Plugged fuel filter 	<ol style="list-style-type: none"> 1. Replenish fuel. 2. Replace fuel pump. 3. Check connections and insulation of #14 wires. 4. Wait 5-10 minutes before trying. 5. Clean, re-gap or replace plug(s). 6. Open fuel line shut-off. 7. Clean or replace fuel filter.
The engine starts hard and runs rough.	<ol style="list-style-type: none"> 1. Air cleaner plugged or damaged 2. Defective spark plug(s) 	<ol style="list-style-type: none"> 1. Check, clean or replace air cleaner. 2. Clean, re-gap or replace plug(s).
The engine starts, but shuts down when the Start/Stop switch is released.	<ol style="list-style-type: none"> 1. Engine oil level low 2. Defective low oil pressure switch 3. Defective high temperature switch 4. Defective engine control board 5. Overheated engine 	<ol style="list-style-type: none"> 1. Check oil and add oil as needed. 2. Replace pressure switch. 3. Replace temperature switch. 4. Replace control board. 5. Check that the airflow openings are adequate.
The Start/Stop switch is set to Stop, but the engine continues to run.	<ol style="list-style-type: none"> 1. Defective Start/Stop switch 2. Open/Disconnected #18 wire between Start/Stop switch and engine control board 3. Open/Disconnected #0 wire between Start/Stop switch and engine control board 4. Defective engine control board 	<ol style="list-style-type: none"> 1. Replace switch. 2. Reconnect or close wire. 3. Reconnect or close wire. 4. Replace control board.
There is no AC output from the generator.	<ol style="list-style-type: none"> 1. Main line circuit breaker open 2. Fault with vehicle circuit breaker and/or fuses 3. Transfer switch set to NORMAL 4. Start switch not held long enough to flash the field 5. Generator internal failure 	<ol style="list-style-type: none"> 1. Reset circuit breaker to ON (or CLOSED). 2. Reset and replace if necessary. 3. Set switch to GENERATOR. 4. Stop, then restart the engine (Hold Start switch for at least two (2) seconds). 5. Contact an Authorized Service Dealer.



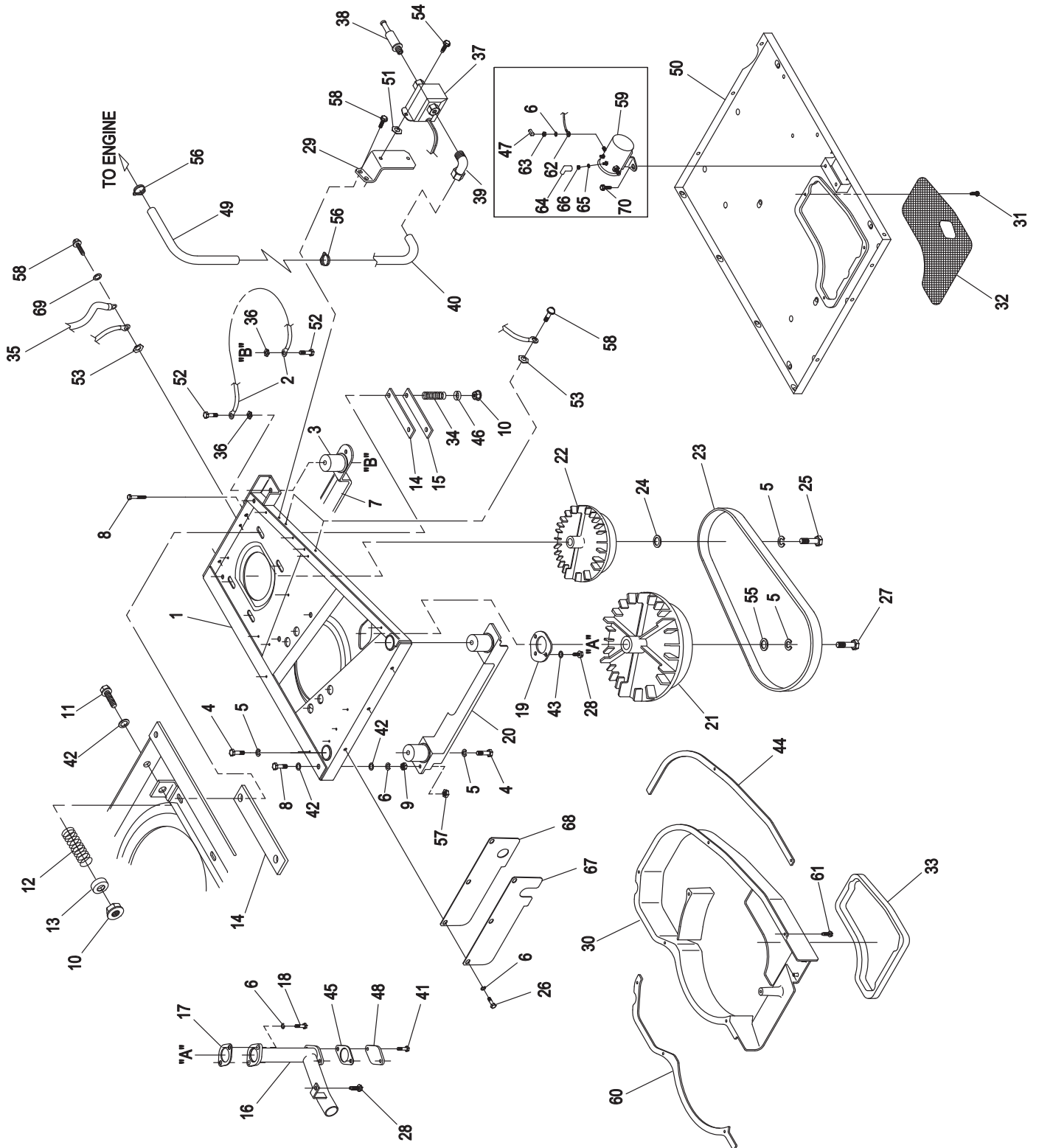
Section 5 — Electrical Data

**Recreational Vehicle Generator
Electrical Schematic and Wiring Diagram – Drawing No. OD1754-B**

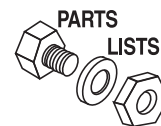


Section 6 — Exploded Views and Parts Lists

**Recreational Vehicle Generator
Base and Pulleys (Model 05754-0) – Drawing No. OD1759-E**



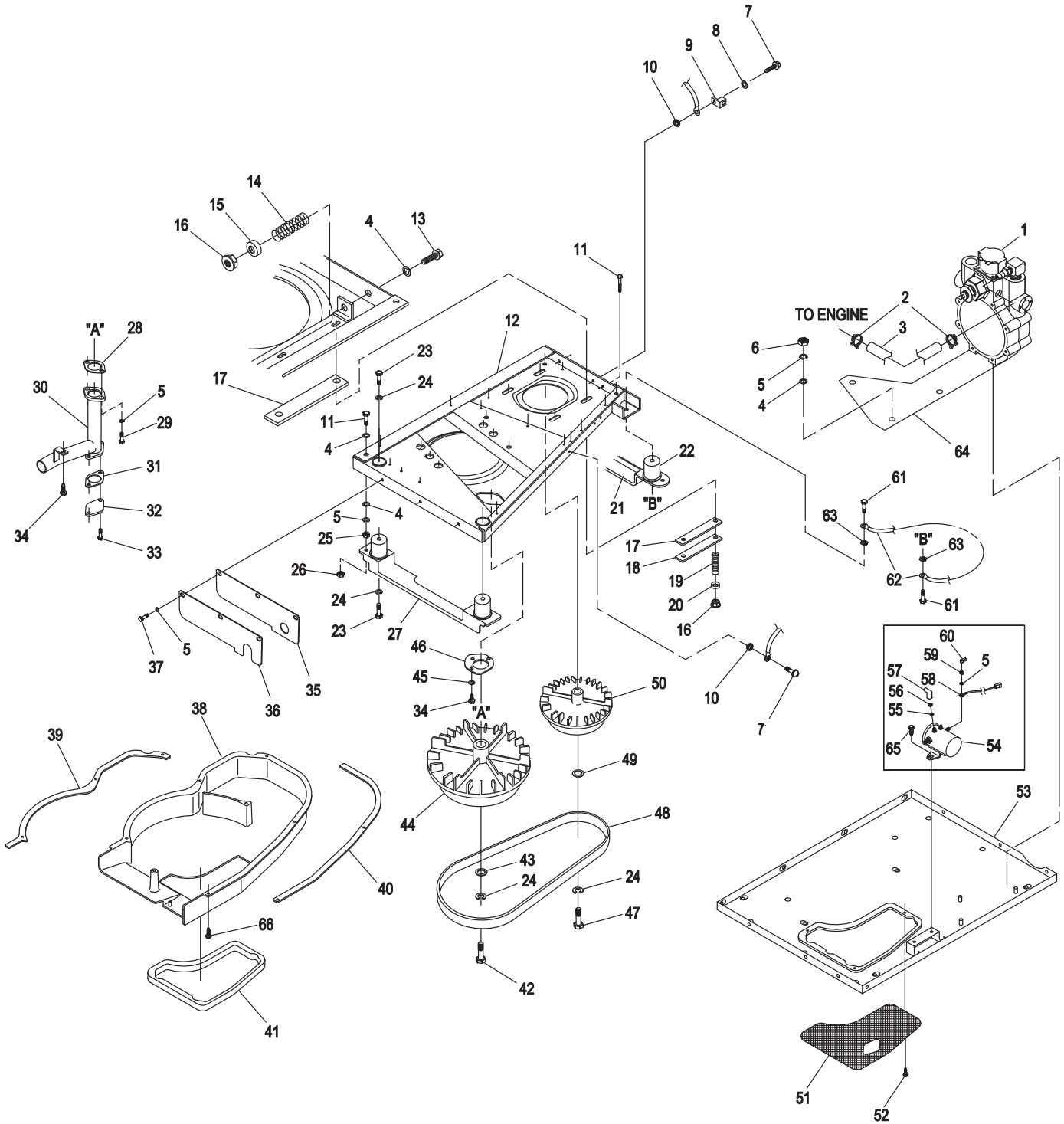
Section 6 — Exploded Views and Parts Lists
Recreational Vehicle Generator
Base and Pulleys (Model 05754-0) – Drawing No. 0D1759-E



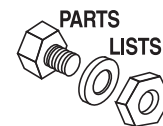
ITEM	PART NO.	QTY.	DESCRIPTION	ITEM	PART NO.	QTY.	DESCRIPTION
1	0C2368	1	BASE, MOUNTING	35	0C4006	1	CABLE, BATTERY
2	053407	1	GROUND CABLE	36	0A4456	2	3/8" SPECIAL LOCK WASHER
3	046911	4	MOUNT, (RUBBER)	37	090475	1	FUEL PUMP
4	025017	6	CAPSCREW, HEX HD.-3/8"-16 X 1/2"	38	087769	1	FUEL FILTER
5	022237	6	LOCK WASHER-3/8"	39	0A7695	1	FITTING-1/8" PIPE TO 1/4" TUBE
6	022129	9	LOCK WASHER-M8	40	0A6922	1	FUEL TUBE, METAL
7	0A6479	1	SKID, RUBBER MOUNT	41	079246	2	CAPSCR., HEX HD.-M6-1.0 X 16
8	077603	2	SAFETY BOLT 5/16"-18 X 3 1/2"	42	022145	5	FLAT WASHER-M8-5/16"
9	022259	2	NUT, HEX-5/16"-18	43	023897	3	FLAT WASHER-#10
10	052858	6	NUT, FLANGED LOCK-M8-1.25	44	0A8010A	1	GASKET, BLOWER HSNG
11	051730	2	CAPSCR. HEX HD.-M8-1.25 X 60MM	45	077643	1	EXHAUST PIPE GASKET
12	029459	2	SPRING, BELT TENSION	46	075237	4	WASHER, SPRING RETAINER
13	075215	2	WASHER, SPRING CNTR.	47	0D1741A	1	BOOT, STARTER CONTACTOR
14	073146	4	SLIDE (NYLON)	48	090859	1	EXHAUST COVER PLATE
15	075209	2	SUPPORT, NYLON SLIDE	49	0F9176	6 IN.	HOSE, FUEL
16	0A8341	1	MANIFOLD, EXHAUST	50	0A8594	1	PAN, SLIDE
17	090239	1	GASKET, EXHAUST MANIFOLD	51	0A1658	2	SPECIAL LOCK WASHER, 1/4"
18	040976	2	SOCKET HD. CAPSCR.,-M8-1.25 X 20 LG.	52	023152	2	CAPSCR., HEX HD.-3/8"-16 X 3/4"
19	0A6858	1	GASKET, COLLECTOR PAN	53	0A8475	3	SPECIAL LOCK WASHER, M5
20	0A8614	1	SKID, RUBBER MOUNT	54	045756	2	SCREW, TAPTITE-M6-1.0 X 10 LG.
21	075224B	1	PULLEY, ENGINE	55	022131	1	FLAT WASHER-M10
22	073106B	1	PULLEY, ALT.	56	048031C	2	CLAMP, HOSE
23	075216	1	BELT (POLY V 4L)-40"	57	081105	2	NUT, FLANGE-5/16"-18 (SPECIAL)
24	049451	1	WASHER, PULLEY RETAINER	58	066849	5	SCREW, TAPTITE M5-0.8 X 16 LG.
25	042633	1	CAPSCR., SOCKET HD. 3/8"-24 X 1" (GRADE 5)	59	0D1227	1	STARTER CONTACTOR
26	039253	3	CAPSCR., HEX HD.-M8-1.25 X 20	60	0A8010	1	GASKET, BLOWER HSNG
27	0A8250	1	CAPSCR., HEX HD.-3/8"-24 X 2"	61	0C2824	7	HHS #10-32 X 9/16" LG, TAP-R
28	056893	5	CRIMPTITE-#10-24 X 1/2"	62	0742600131	1	STARTER CABLE
29	0A8615	1	BRACKET-FUEL PUMP	63	024114	2	HEX NUT-5/16"-24
30	0C1320	1	HOUSING, BLOWER	64	0D1741	2	BOOT, STARTER CONTACTOR
31	063036	3	CRIMTITE-#8-18 X 1/4"	65	022152	2	LOCK WASHER-M4
32	0A8694	1	SCREEN, SLIDE PAN	66	022158	2	HEX NUT-#10-32
33	0A8726	1	GASKET, BLOWER / PAN	67	0A8531	1	PLATE, BLOWER SIDE
34	075242	4	SPRING, GENERATOR SET MT	68	0A8407	1	GASKET, BLOWER SIDE
				69	022473	1	FLAT WASHER 1/4"
				70	0A2110	2	SCREW, SWAGE 1/4-28 X 1/2"

Section 6 — Exploded Views and Parts Lists

**Recreational Vehicle Generator
Base and Pulleys (Model 04164-3) – Drawing No. 0F1124-D**



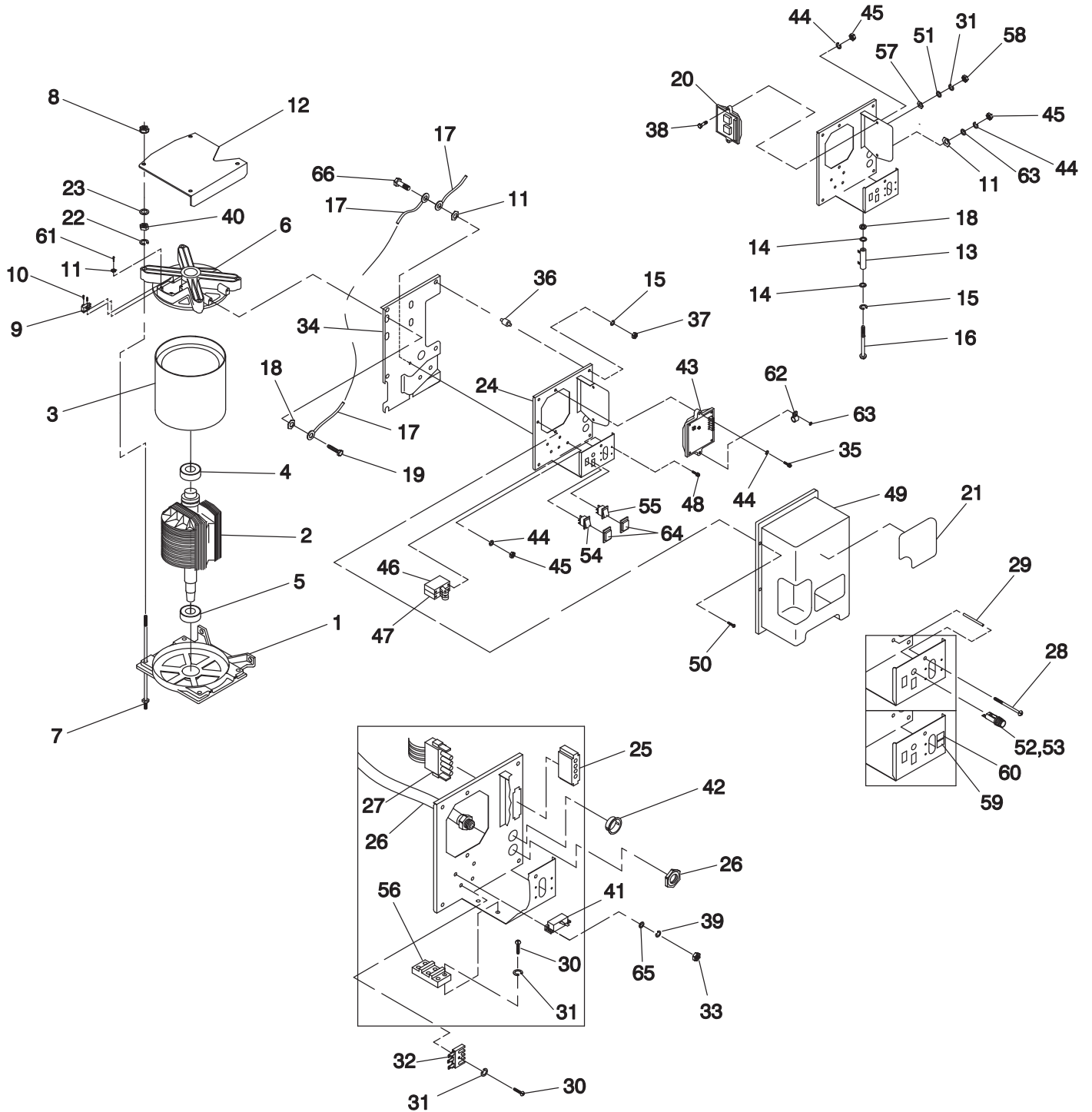
Section 6 — Exploded Views and Parts Lists
Recreational Vehicle Generator
Base and Pulleys (Model 04164-3) – Drawing No. 0F1124-D



ITEM	PART NO.	QTY.	DESCRIPTION	ITEM	PART NO.	QTY.	DESCRIPTION
1	0F1126	1	ASSEMBLY REGULATOR	34	056893	5	SCREW CRIMPTITE #10-24 X 1/2"
2	048031M	2	#8 HOSE CLAMP	35	0A8407	1	GASKET, BLOWER SIDE
3	0F7065	16"	HOSE, 1/2" I.D. PETROLEOM	36	0A8531	1	PLATE, BLOWER SIDE
4	022145	8	WASHER FLAT 5/16" - M8	37	039253	3	SCREW HHC M8-1.25 X 20MM
5	022129	12	WASHER LOCK M8 - 5/16"	38	0C1320	1	HOUSING, BLOWER
6	045771	3	NUT HEX M8-1.25	39	0A8010	1	GASKET, BLOWER HOUSING
7	066849	2	SCREW, TAPTITE M5-0.8 X 16MM LONG	40	0A8010A	1	GASKET, BLOWER HOUSING
8	022473	1	WASHER FLAT 1/4" - M6	41	0A8726	1	GASKET, BLOWER / PAN
9	062684	1	GROUNDING LUG	42	0A8250	1	CAPSCR., HEX HD. 3/8"-24 X 2"
10	0A8475	2	LOCK WASHER SPECIAL #10	43	022131	1	WASHER FLAT 3/8" - M10
11	077603	2	SAFETY BOLT SCREW HHC 5/16"-18 X 3.5"	44	075224B	1	PULLEY, ENGINE
12	0C2368	1	BASE, MOUNTING	45	023897	3	WASHER FLAT #10
13	051730	2	SCREW HHC M8-1.25 X 60MM	46	0A6858	1	GASKET, COLLECTOR PAN
14	029459	2	SPRING, BELT TENSION	47	042633	1	SCREW HHC 3/8"-24 X 1"
15	075215	2	WASHER, SPRING CENTER	48	075216	1	BELT (POLY V 4L)-40"
16	052858	6	NUT TOP LOCK FL M8-1.25	49	049451	1	WASHER, PULLEY RETAINER
17	073146	4	SLIDE (NYLON)	50	073106B	1	PULLEY, ALT.
18	075209	2	SUPPORT, NYLON SLIDE	51	0A8694	1	SCREEN, SLIDE PAN
19	075242	4	SPRING, GENERATOR MOUNT	52	063036	3	SCREW CRIMPTITE #8-18 X 1/4"
20	075237	4	WASHER, SPRING RETAINER	53	0A8594	1	PAN, SLIDE
21	0A6479	1	SKID, RUBBER MOUNT	54	0D1227	1	STARTER CONTACTOR
22	046911	4	MOUNT, (RUBBER)	55	022152	2	WASHER LOCK #10
23	025017	6	SCREW HHC 3/8"-16 X 1/2"	56	022158	2	NUT HEX #10-32
24	022237	6	WASHER LOCK 3/8"	57	0D1741	2	BOOT, STARTER CONTACTOR
25	022259	2	NUT HEX 5/16"-18	58	0742600131	1	STARTER CABLE
26	081105	2	NUT FLANGE 5/16"-18	59	024114	2	NUT HEX 5/16"-24
27	0A8614	1	SKID, RUBBER MOUNT	60	075763A	1	BOOT, BATTERY CABLE
28	090239	1	GASKET, EXHAUST MANIFOLD	61	023152	2	SCREW HHC 3/8"-16 X 3/4"
29	040976	2	SCREW SHC M8-1.25 X 20MM	62	053407	1	GROUND CABLE
30	0A8341	1	MANIFOLD, EXHAUST	63	0A4456	2	WASHER LOCK SPECIAL 3/8"
31	077643	1	EXHAUST PIPE GASKET	64	0E9193	1	BRACKET, LP REGULATOR
32	090859	1	EXHAUST COVER PLATE	65	0A2110	2	SCREW, SWAGE 1/4-28 X 1/2"
33	079246	2	SCREW HHC M6-1.0 X 16MM W/ LOCK WASHER	66	0C2824	7	SCREW HHTR #10-32 X 9/16

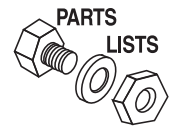
Section 6 — Exploded Views and Parts Lists

**Recreational Vehicle Generator
Alternator and Panel (Model 04164-3) – Drawing No. 0D1776-J**



Section 6 — Exploded Views and Parts Lists

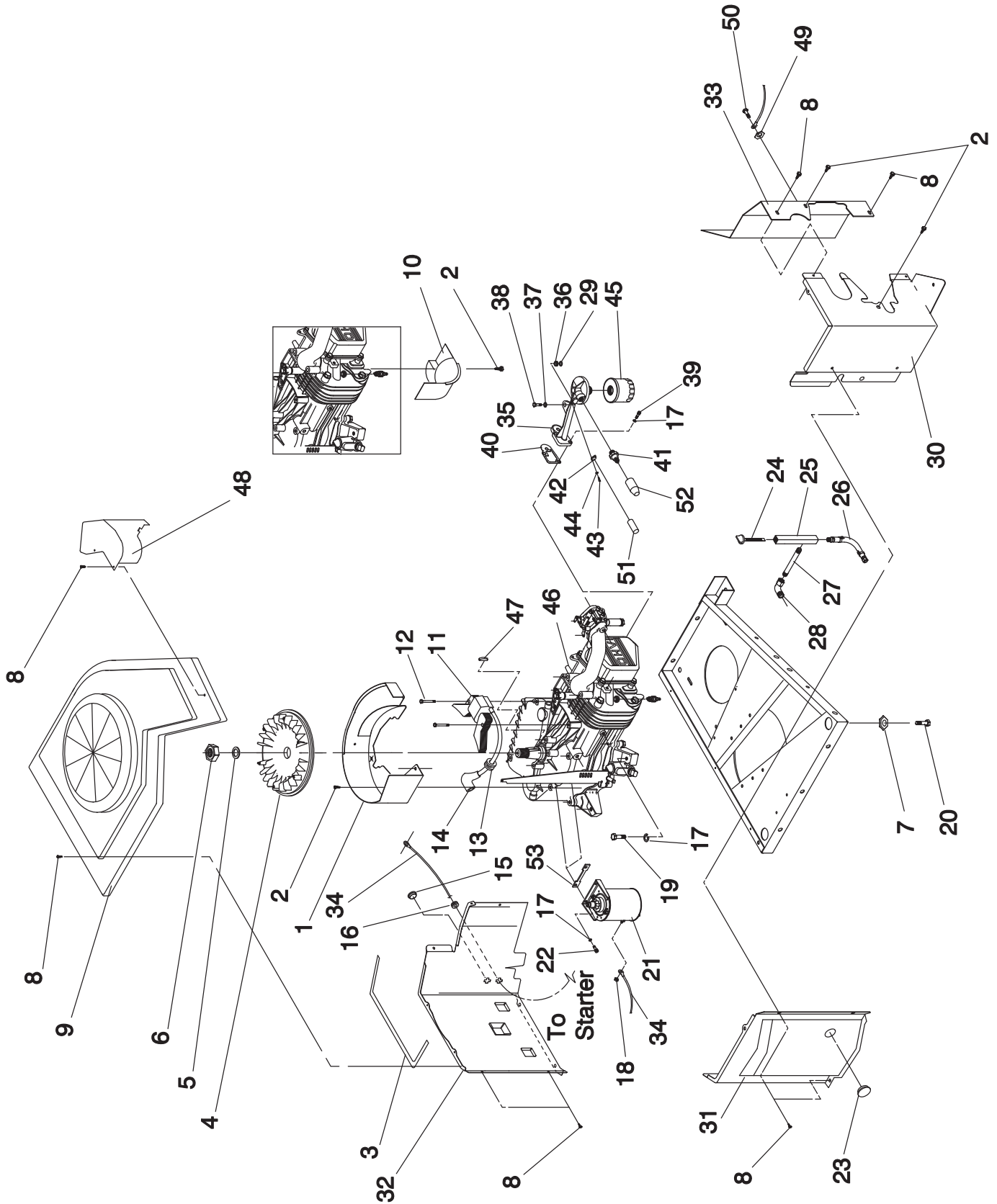
Recreational Vehicle Generator
 Alternator and Panel (Model 04164-3) – Drawing No. 0D1776-J



ITEM	PART NO.	QTY.	DESCRIPTION	ITEM	PART NO.	QTY.	DESCRIPTION
1	0C9675	1	LOWER BEARING CARRIER	35	075235	2	M5-0.8 X 30 LG. CAPSCREW
2	0A5649H	1	ROTOR ASSEM.	36	082737	4	VIBRATION MOUNT
3	0A5646H	1	STATOR ASSEM.	37	049813	4	M6-1.0 HEX NUT
4	073159	1	BALL BEARING	38	055440	2	M5-08 X 25 LG. HEX HD. CAPSCR.
5	031971	1	BALL BEARING	39	043182	2	M3-LOCK WASHER
6	0C9674	1	UPPER BEARING CARRIER	40	045771	4	HEX NUT, M8
7	0A6529	4	STUD-STATOR	41	053623	1	C/BREAKER 2.5A.-ON
8	052858	4	M8-1.25 FLANGE LOCK NUT	42	023484S	1	BUSHING
9	066386	1	BRUSH HOLDER	43	0F9719	1	REGULATOR VOLTAGE
10	066849	3	M5-0.8 X 16 LG. TAPTITE	44	022152	5	LOCKWASHER, #10
11	0A8475	3	SPECIAL LOCK WASHER, M5	45	051716	3	M5-0.8 HEX NUT
12	0C3818	1	GENERATOR TOP HOUSING	46	090144	1	C/BREAKER 20A.
13	075234	1	RESISTOR1R 5% 25 WLVG	47	090145	1	C/BREAKER 30A.
14	022473	2	1/4" M6-FLAT WASHER	48	025105	4	#6-32 SCREW W/LOCK WASHER
15	022097	5	1/4" M6-LOCK WASHER	49	086315	1	PANEL COVER
16	055816	1	M6-1.0 X 70 LG. CAPSCREW	50	090734	4	M4-0.7 X 12 LG. CAPSCR.W/LOCK- WASHER & FLAT WASHER
17	090141	2	GROUND CABLE	51	022985	1	#6-FLAT WASHER
18	0A1658	2	SPECIAL LOCK WASHER, M6	52	032300	1	FUSE HOLDER
19	074906	4	M6-1.0 X 20 LG. TAPTITE	53	022676	1	FUSE AGC-15A.
20	0922340SRV	1	CONTROLLER P.C.B.	54	087798	1	SWITCH S.P.D.T. (START-STOP)
21	0H3224	1	DECAL, MAINTENANCE SCHEDULE RV	55	092113	1	SWITCH S.P.D.T.-(FUEL PUMP)
22	022129	4	5/16" -M8 LOCK WASHER	56	075210A	1	TERMINAL BLOCK
23	027756	4	NYLON WASHER	57	0A8475A	1	SPECIAL LOCK WASHER, M4
24	086316	1	PANEL SHEET METAL	58	051715	1	M4-0.7 HEX NUT
25	053650	1	4-PIN CONNECTOR	59	090157	1	DECAL, CB RATING 30A.
26	0C4258	1	CONDUIT ASSEMBLY	60	090156	1	DECAL, CB RATING 20A.
27	075244	1	ASSEMBLY, REMOTE CABLE	61	074908	2	M5-0.8 X 10 LONG TAPTITE
28	094071	1	M5-.08 X 110 LG. PPHMS	62	031791	1	CLAMP, HOSE
29	094070	1	SPACER-PLASTIC	63	023897	2	#10/ M5-FLAT WASHER
30	075476	3	M4-0.7 X 16 LG. CAPSCREW	64	0D2724	2	BOOT, ROCKER SWITCH
31	022264	4	#8/ M4-LOCK WASHER	65	031879	2	WASHER FLAT #4
32	065795	1	BATTERY CHARGE RECTIFIER	66	049815	1	HHCS M5-0.8 X 16
33	090987	2	M3-0.5 X 12 LG. PPHMS				
34	086317A	1	PANEL SUPPORT BRACKET				

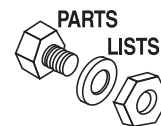
Section 6 — Exploded Views and Parts Lists

Recreational Vehicle Generator
Engine Sheet Metal – Drawing No. OD1760-J



Section 6 — Exploded Views and Parts Lists

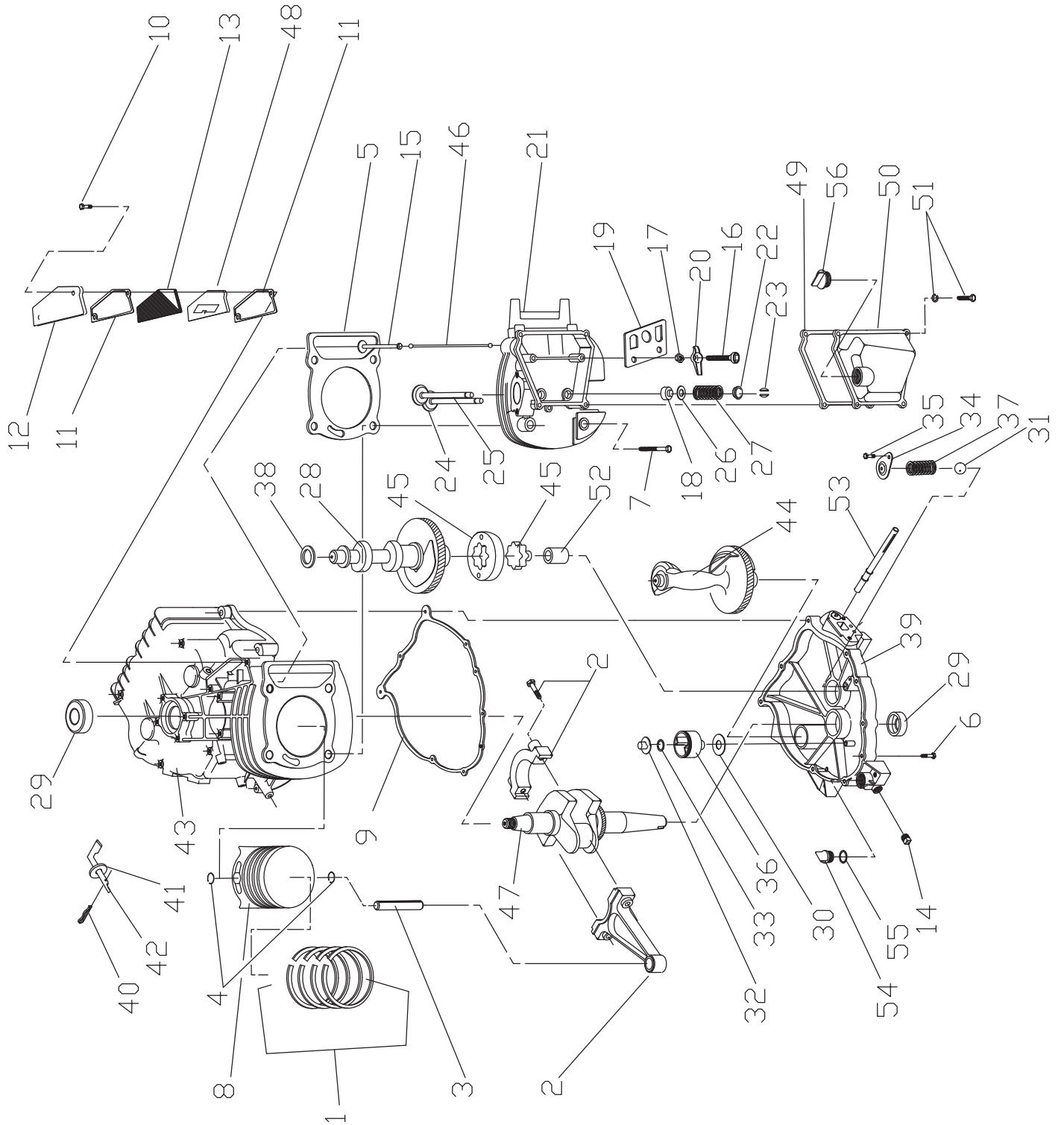
**Recreational Vehicle Generator
Engine Sheet Metal – Drawing No. OD1760-J**



ITEM	PART NO.	QTY.	DESCRIPTION
1	0A4323	1	SCROLL, FLYWHEEL
2	045756	8	SCREW, TAPTITE M6-1.0 X 10MM
3	029289	2.5 FT.	FOAM TAPE
4	091222DSRV	1	FLYWHEEL
5	067198N	1	WASHER, BELLVILLE M20 X 2.2
6	067890	1	NUT, M20 X 1.5, FLYWHEEL
7	0A4456	1	3/8" SPECIAL LOCK WASHER
8	056893	21	SCREW, CRIMPTITE #10-24 X 0.5"
9	0A6358	1	COVER, TOP FLYWHEEL
10	091646	1	DEFLECTOR, EXHAUST PORT
11	0G3279	1	ASSEMBLY, IGNITION COIL NO ADV. V410 RV
12	0G3111	2	SCREW, TAPTITE M6-1.0 X 25MM
13	022717A	1	GROMMET, RUBBER
14	073132	1	BOOT, SPARK PLUG
15	061669	1	PLUG, BUTTON 3/4"
16	089685	2	GROMMET, RUBBER
17	022129	6	LOCK WASHER-M8
18	049813	1	NUT, HEX M6-1.0
19	057821	2	CAPSCR, HEX HD M8-1.25 X 40MM
20	059637	2	SCREW, TAPTITE 3/8"-16 X 0.75"
21	0D9004A	1	ASSY, STARTER MOTOR
22	059985	2	SOCKET HD. CAPSCR., M8-1.25 X 45MM
23	025034	1	PLUG, BUTTON 1-1/16"
24	0A8875	1	ASSEMBLY, DIPSTICK & CAP
25	0A7299	1	OIL DRAIN/DIPSTICK TUBE
26	0A9539	1	OIL DRAIN HOSE ASSEMBLY
27	0A7838	1	PIPE NIPPLE, 3/8" X 8" LG.
28	038593	1	BRASS STREET ELBOW, 3/8"
29	022473	1	FLAT WASHER, 1/4"-M6
30	0A6357	1	WRAPPER, ENGINE SPARK PLUG
31	0A6360	1	WRAPPER, STARTER SIDE
32	0A6489	1	WRAPPER, REAR GEAR CASE
33	0A6359	1	WRAPPER, CARB. SIDE
34	0742600131	1	ASSEMBLY, WIRE-STARTER (#16)
35	090892	1	SUPPORT, OIL FILTER
36	091159	1	BUSHING, RUBBER
37	091160	1	WASHER, RUBBER
38	091161	1	BOLT, SHOULDER-M6-1.0 X 15MM
39	049821	2	BOLT, SOCKET HD. CAPSCR.-M8-1.25 X 30MM
40	086999	1	GASKET, OIL FILTER SUPPORT
41	0A8584	1	SWITCH, OIL PRESSURE-10 PSI
42	075281	1	SWITCH, OIL TEMPERATURE
43	0C1085	2	SCREW, PHILIPS PAN HD. MACH.-M3-0.5 X 8MM
44	043182	2	LOCK WASHER-M3
45	070185B	1	FILTER, OIL
46	0E9649	1	ENGINE, LONG BLOCK-GN410VSRV
47	082774	1	KEY, WOODRUFF 4 X 19 DIA.
48	0C2308	1	COVER, CARB.
49	0A1658	1	SPECIAL LOCK WASHER, M6
50	090388	1	TAPTITE, M6-1.00 X 12MM
51	075474A	1	BOOT, TEMPERATURE SWITCH
52	0D1624	1	BOOT, OIL PRESSURE SWITCH
53	0C4373	1	SPACER, ENDFRAME

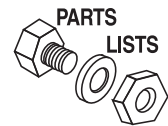
Section 6 — Exploded Views and Parts Lists

**Recreational Vehicle Generator
GN-410 Engine – Drawing No. 0E9615-B**



Section 6 — Exploded Views and Parts Lists

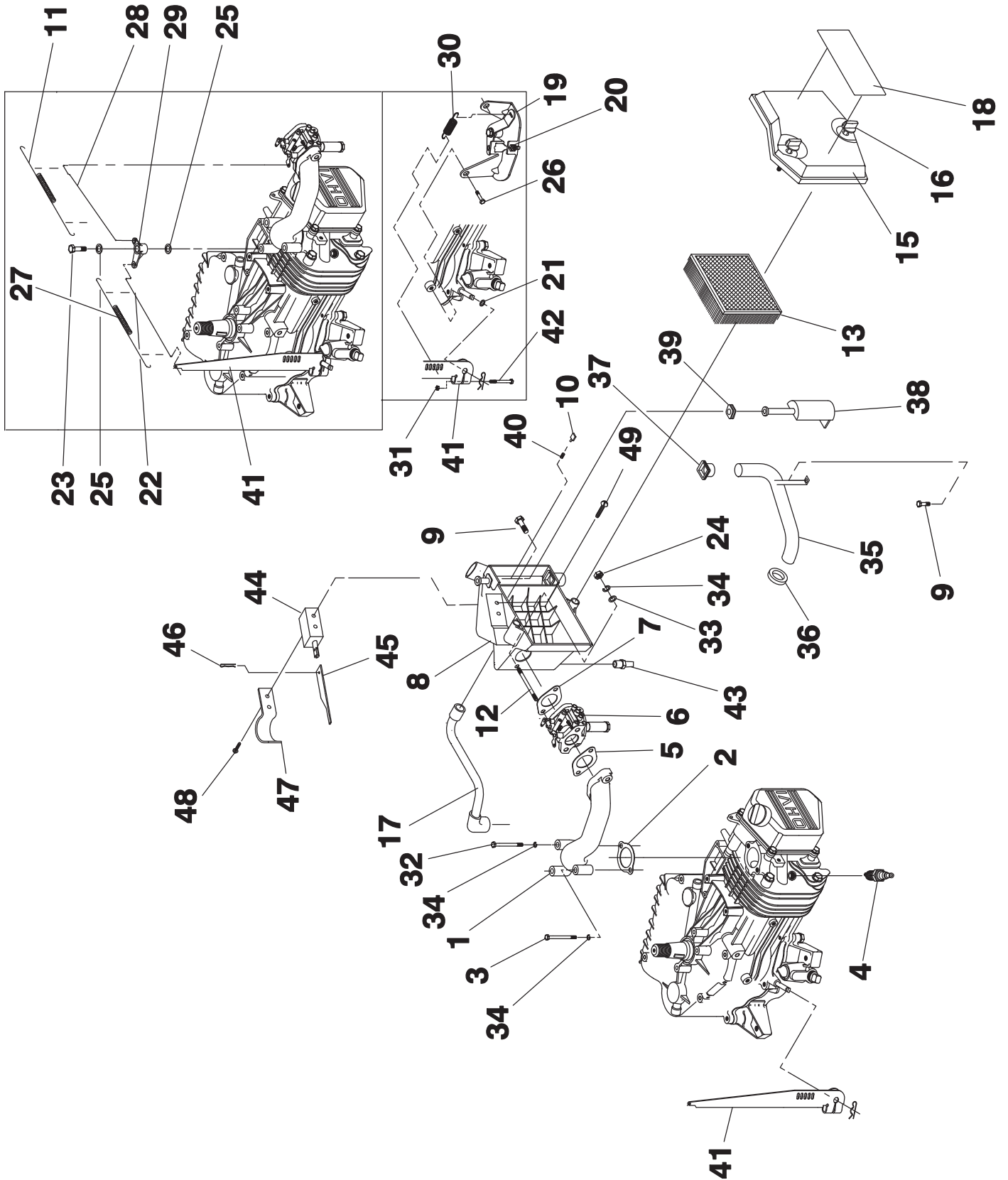
Recreational Vehicle Generator
GN-410 Engine – Drawing No. 0E9615-B



ITEM	PART NO.	QTY.	DESCRIPTION	ITEM	PART NO.	QTY.	DESCRIPTION
1	0G2565	1	RING SET, PISTON DIA 90	29	0E3812	2	CRANKSHAFT SEAL
2	0E3221	1	CONNECTING ROD	30	076361	1	THRUST WASHER
3	0E1466	1	PISTON PIN	31	0A5776	1	PRESSURE RELIEF BALL
4	071983	2	PISTON PIN RETAINER	32	0A7811	1	GOVERNOR SPOOL
5	021713B	1	CYLINDER HEAD GASKET	33	078645	1	GOVERNOR RETAINER (C-RING)
6	0A1442	8	FLANGED HEX HD. CAPSCREW M8-1.25 X 42	34	078691	1	COVER, OIL PRESSURE RELIEF
7	021742	4	M10 1.5 X 105MM HHFL	35	074908	1	M5-0.8 X 10MM TAPTITE
8	0G2751	1	PISTON, FLAT TOP DIA 90 COATED	36	0A7975	1	GOVERNOR GEAR ASSEMBLY
9	076701	1	CRANKCASE GASKET	37	0A5771	1	OIL PRESSURE SPRING
10	045756	2	M6-1.0 X 10 TAPTITE (THD. FORMING)	38	0B2104	1	SPRING WASHER
11	080308	2	BREATHER GASKET	39	0E9667	1	OIL SUMP ASSEMBLY
12	080309	1	BREATHER COVER	40	078658	1	GOVERNOR ARM "R" PIN
13	080338	1	OIL BREATHER SEPARATOR	41	078659	2	THRUST WASHER
14	0D4788	1	PIPE PLUG-3/8"	42	0A7628	1	GOVERNOR ARM RC45
15	083897	2	TAPPET, SOLID	43	089288C	1	CRANKCASE SUB ASSEMBLY
16	072694	2	PIVOT BALL STUD	44	0E3341	1	BALANCER
17	0D3998	2	NUT HEX M8-1.0 G8	45	086025	1	SET GEROTOR
18	078672	1	SEAL, VALVE STEM	46	0D9853B	2	PUSH ROD
19	078694	1	PUSH ROD GUIDE PLATE	47	0E9666	1	CRANKSHAFT ASSEMBLY
20	083907	2	ROCKER ARM	48	090747	1	BREATHER VALVE ASSEMBLY
21	0G6791	1	CYLINDER HEAD W/VALVE SEATS AND GUIDES	49	0C3150	1	ROCKER COVER GASKET
22	0D2274	2	VALVE SPRING RETAINER	50	092362	1	ROCKER COVER W/FILL
23	086515	4	VALVE SPRING KEEPER	51	068527	4	M6-1.0 X 20MM HEX HEAD. SCREW. AND LOCKWASHER
24	086516	1	EXHAUST VALVE	52	083921	1	BEARING TUBE SHAFT
25	086517	1	INTAKE VALVE	53	077158	1	OIL SCREEN PICKUP ASSEMBLY
26	089673	2	WASHER, VALVE SPRING	54	076329	1	OIL FILL PLUG
27	0C4391	2	VALVE SPRING	55	0E0057	1	"O" RING
28	0A9877	1	CAMSHAFT ASSEMBLY	56	093064	1	OIL FILL CAP ASSEMBLY

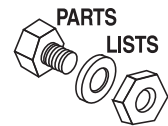
Section 6 — Exploded Views and Parts Lists

Recreational Vehicle Generator
Engine Accessories – Drawing No. 0F1135-E



Section 6 — Exploded Views and Parts Lists

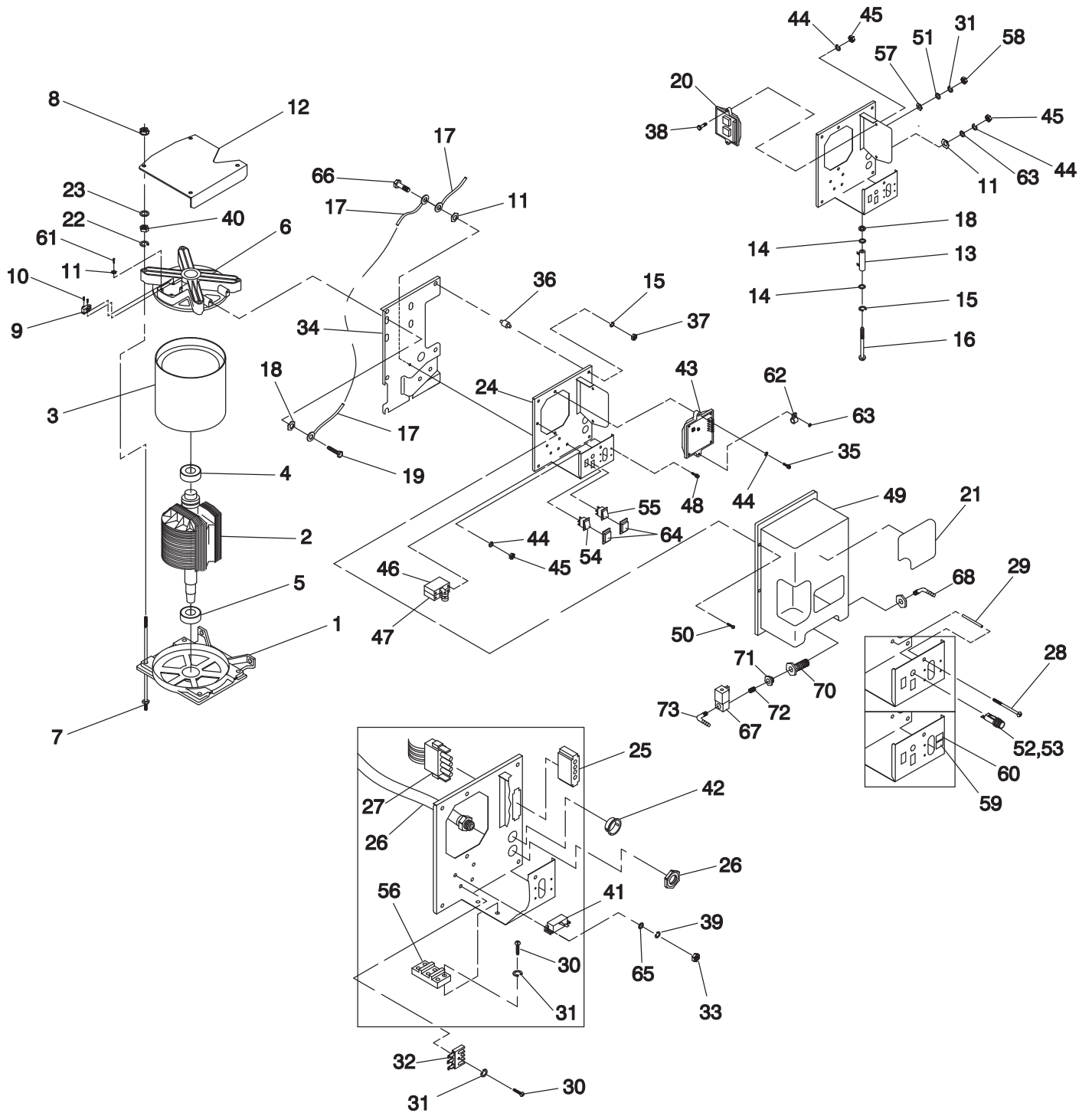
Recreational Vehicle Generator
Engine Accessories – Drawing No. 0F1135-E



ITEM	PART NO.	QTY.	DESCRIPTION
1	0A6532	1	MANIFOLD, INTAKE
2	091039	1	GASKET, MANIFOLD/HEAD
3	051753	1	HHCS-M6-1.0 X 40MM
4	0E7585	1	SPARK PLUG, CHAMP
5	089228	1	GASKET, CARB/MANIFOLD
6	0A7336B	1	CARBURETOR, GN 410 L/P
	0A6562	1	CARBURETOR, GN410 GAS
7	090970	1	GASKET, CARB/AIR FILTER
8	0A7660	1	ASSY, AIR CLEANER/VALVE
	0A7660A	1	ASSY, AIR CLEANER/VALVE W/EVAP (02010-3 & 05754 ONLY)
9	056893	3	CRIMPTITE #10-24 X 1/2"
10	0A6566	1	DETENT
11	0A6780	1	SPRING, A/L BELLCRANK-CARB.
12	096290	2	STUD, CARB. MOUNT 90 LG.
13	073111	1	FILTER, AIR
14			
15	0A6563	1	COVER, AIR FILTER
16	0C3633	2	KNOB, AIR CLEANER
17	0A6581A	1	BREATHER, TUBE
18	0C2332	1	DECAL, AIRBOX QP55
19	092164	1	ASSEMBLY, GOV. SPRING ADI BRACKET
20	082025	1	NUT HEX LOCK M5-0.8 NYLON
21	0A7029	1	NYLON WASHER, .31" X .26" X .13"
22	0A6913	1	ROD, LINKAGE GOV. LEVER-BELLCRANK
23	091161	1	BOLT, SHOULDER, M6-1.0 X 15MM
24	049813	2	NUT, M6-1.0
25	092586	2	WASHER, FELT
26	083512	2	TAPTITE-M8-1.25 X 16MM
27	0A6778	1	SPRING, A/L GOV. LEVER-BELLCRANK
28	0A6785	1	ROD, LINKAGE BELLCRANK-CARB.
29	0A6753	1	BELLCRANK, GOV. RODS
30	0A8222	1	SPRING, GOVERNOR
31	086681	1	NUT, GOVERNOR LEVER
32	020753	1	HHCS-M6-1.0 X 60MM
33	022473	2	M6 FLAT WASHER
34	022097	4	M6 LOCK WASHER
35	0A6582	1	TUBE, WINTER INLET
36	0A6503	1	GROMMET 1/16"-1-1/2"
37	0A6569	1	GROMMET, AIR IN/OUT
38	0A7660	1	VALVE, WINTER/SUMMER
39	0A6568	1	GROMMET, WINTER/SUMMER VALVE
40	0A6567	1	SPRING, DETENT
41	091916	1	LEVER, GOVERNOR ARM
42	083532	1	BOLT, HEX HD. WASHER/LOCK WASHER-M6-1.0 X 30MM
43	072683A	1	PLUG, 1/8 NPTF (02010-3 ONLY)
	028414A	1	BARBED STRAIGHT 1/8 NPT X 1/4 (05754-0 ONLY)
44	0A6239	1	ASSEMBLY, CHOKE SOLENOID (02010-3 & 05754 ONLY)
45	0A6584	1	LINKAGE, CHOKE (02010-3 & 05754 ONLY)
46	036544	1	PIN, COTTER 3/32" X .5" (02010-3 & 05754 ONLY)
47	089473	1	ASSEMBLY, CHOKE HEATER (02010-3 & 05754 ONLY)
48	0A7094	2	PPHMS #4-40 X .25" (02010-3 & 05754 ONLY)

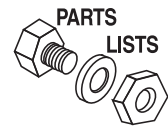
Section 6 — Exploded Views and Parts Lists

**Recreational Vehicle Generator
Alternator & Panel – Drawing No. 0H3636-A**



Section 6 — Exploded Views and Parts Lists

Recreational Vehicle Generator
Alternator & Panel – Drawing No. 0H3636-A



ITEM	PART NO.	QTY.	DESCRIPTION	ITEM	PART NO.	QTY.	DESCRIPTION
1	0C9675	1	LOWER BEARING CARRIER	40	045771	4	HEX NUT, M8
2	0A5649H	1	ROTOR ASSEM.	41	053623	1	C/BREAKER 2.5A.-ON
3	0A5646H	1	STATOR ASSEM.	42	023484S	1	BUSHING
4	073159	1	BALL BEARING	43	0F9719	1	REGULATOR VOLTAGE
5	031971	1	BALL BEARING	44	022152	5	LOCKWASHER, #10
6	0C9674	1	UPPER BEARING CARRIER	45	051716	3	M5-0.8 HEX NUT
7	0A6529	4	STUD-STATOR	46	090144	1	C/BREAKER 20A.
8	052858	4	M8-1.25 FLANGE LOCK NUT	47	090145	1	C/BREAKER 30A.
9	066386	1	BRUSH HOLDER	48	025105	4	#6-32 SCREW W/LOCK WASHER
10	066849	3	M5-0.8 X 16 LG. TAPTITE	49	086315	1	PANEL COVER
11	0A8475	3	SPECIAL LOCK WASHER, M5		086315A	1	PANEL COVER EVAP. (05754 ONLY)
12	0C3818	1	GENERATOR TOP HOUSING	50	090734	4	M4-0.7 X 12 LG. CAPSCR.W/LOCK- WASHER & FLAT WASHER
13	075234	1	RESISTOR1R 5% 25 WLVG				
14	022473	2	1/4" M6-FLAT WASHER	51	022985	1	#6-FLAT WASHER
15	022097	5	1/4" M6-LOCK WASHER	52	032300	1	FUSE HOLDER
16	055816	1	M6-1.0 X 70 LG. CAPSCREW	53	022676	1	FUSE AGC-15A.
17	090141	2	GROUND CABLE	54	087798	1	SWITCH S.P.D.T. (START-STOP)
18	0A1658	2	SPECIAL LOCK WASHER, M6	55	092113	1	SWITCH S.P.D.T.-(FUEL PUMP)
19	074906	4	M6-1.0 X 20 LG. TAPTITE	56	075210A	1	TERMINAL BLOCK
20	0922340SRV	1	CONTROLLER P.C.B.	57	0A8475A	1	SPECIAL LOCK WASHER, M4
21	0H3224	1	DECAL, UNIT	58	051715	1	M4-0.7 HEX NUT
22	022129	4	5/16" -M8 LOCK WASHER	59	090157	1	DECAL, CB RATING 30A.
23	027756	4	NYLON WASHER	60	090156	1	DECAL, CB RATING 20A.
24	086316	1	PANEL SHEET METAL	61	074908	2	M5-0.8 X 10 LONG TAPTITE
25	053650	1	4-PIN CONNECTOR	62	031791	1	CLAMP, HOSE
26	0C4258	1	CONDUIT ASSEMBLY	63	023897	2	#10/ M5-FLAT WASHER
27	075244	1	ASSEMBLY, REMOTE CABLE	64	0D2724	2	BOOT, ROCKER SWITCH
28	094071	1	M5-.08 X 110 LG. PPHMS	65	031879	2	WASHER FLAT #4
29	094070	1	SPACER-PLASTIC	66	049815	1	HHCS M5-0.8 X 16
30	075476	3	M4-0.7 X 16 LG. CAPSCREW	67	0G0247	1	SOLENOID, LP/NG DC12V
31	022264	4	#8/ M4-LOCK WASHER	68	0G7457	1	BARBED EL 90 1/4 NPT X 5/16
32	065795	1	BATTERY CHARGE RECTIFIER	69	0G9319	1	WIRE ASSY. (NOT SHOWN)
33	090987	2	M3-0.5 X 12 LG. PPHMS	70	069598	1	BULKHEAD ADAPTER
34	086317A	1	PANEL SUPPORT BRACKET	71	035579	1	BUSHING REDUCER HEX 1/4 TO 1/8 NPT
35	075235	2	M5-0.8 X 30 LG. CAPSCREW				
36	082737	4	VIBRATION MOUNT	72	035578	1	NIPPLE PIPE 1/8 X 3/4
37	049813	4	M6-1.0 HEX NUT	73	028740	1	BARBED EL 90 1/8 NPT X 1/4
38	055440	2	M5-08 X 25 LG. HEX HD. CAPSCR.				
39	043182	2	M3-LOCK WASHER				



CALIFORNIA AND FEDERAL EMISSION CONTROL WARRANTY STATEMENT

YOUR WARRANTY RIGHTS AND OBLIGATIONS

The California Air Resources Board (CARB) and the United States Environmental Protection Agency (EPA), together with Generac Power Systems, Inc. (Generac), are pleased to explain the Emission Control System Warranty on your new engine.* New utility, and lawn and garden equipment engines must be designed, built and equipped to meet stringent anti-smog standards for the state of California and the federal government. Generac will warrant the emission control system on your engine for the periods of time listed below provided there has been no abuse, neglect, unapproved modification or improper maintenance of your engine.

Your emission control system may include parts such as the carburetor, ignition and exhaust systems. Generac will repair your engine at no cost to you for diagnosis, replacement parts and labor, should a warrantable condition occur.

MANUFACTURER'S EMISSION CONTROL SYSTEM WARRANTY COVERAGE:

Emissions control systems on 1997 and later model year engines are warranted for two years as hereinafter noted. If, during such warranty period, any emission-related component or system on your engine is found to be defective in materials or workmanship, repairs or replacement will be performed by a Generac Authorized Warranty Service Facility.

PURCHASER'S/OWNER'S WARRANTY RESPONSIBILITIES:

As the engine purchaser/owner, you are responsible for the completion of all required maintenance as listed in your factory supplied Owner's Manual. For warranty purposes, Generac recommends that you retain all receipts covering maintenance on your engine. However, Generac cannot deny warranty solely because of the lack of receipts or for your failure to ensure the completion of all scheduled maintenance.

As the engine purchaser/owner, you should, however, be aware that Generac may deny any and/or all warranty coverage or responsibility if your engine, or a part/component thereof, has failed due to abuse, neglect, improper maintenance or unapproved modifications, or the use of counterfeit and/or 'grey market' parts not made, supplied or approved by Generac.

You are responsible for presenting your engine to a Generac Authorized Warranty Service Facility as soon as a problem occurs. The warranty repairs should be completed in a reasonable amount of time, not to exceed 30 days.

Warranty service can be arranged by contacting either your selling dealer or a Generac Authorized Warranty Service Facility. To locate the Generac Authorized Warranty Service Facility nearest you, call our toll-free number:

1-800-333-1322

IMPORTANT NOTE: This warranty statement explains your rights and obligations under the Emission Control System Warranty (ECS Warranty), which is provided to you by Generac pursuant to California and federal law. See also the "Generac Limited Warranties for Generac Power Systems, Inc.," which is enclosed herewith on a separate sheet, also provided to you by Generac. The ECS Warranty applies only to the emission control system of your new engine. If there is any conflict in terms between the ECS Warranty and the Generac Warranty, the ECS Warranty shall apply except in circumstances where the Generac Warranty may provide a longer warranty period. Both the ECS Warranty and the Generac Warranty describe important rights and obligations with respect to your new engine.

Warranty service can be performed only by a Generac Authorized Warranty Service Facility. When requesting warranty service, evidence must be presented showing the date of the sale to the original purchaser/owner. The purchaser/owner shall be responsible for any expenses or other charges incurred for service calls and/or transportation of the product to/from the inspection or repair facilities. The purchaser/owner also shall be responsible for any and/or all damages or losses incurred while the engine is being transported/shipped for inspection or warranty repairs.

If you have any questions regarding your warranty rights and responsibilities, you should contact Generac at the following address:

**ATTENTION WARRANTY DEPARTMENT
GENERAC POWER SYSTEMS, INC.
P.O. BOX 297
WHITEWATER, WI 53190**



EMISSION CONTROL SYSTEM WARRANTY

Emission Control System Warranty (ECS Warranty) for 1997 and later model year engines:

- (a) **Applicability:** This warranty shall apply to 1997 and later model year engines. The ECS Warranty Period shall begin on the date the new engine or equipment is purchased by/delivered to its original, end-use purchaser/owner and shall continue for 24 consecutive months thereafter.
- (b) **General Emissions Warranty Coverage:** Generac warrants to the original, end-use purchaser/owner of the new engine or equipment, and to each subsequent purchaser/owner, that each of its engines is ...
 - (1) Designed, built and equipped so as to conform with all applicable regulations adopted by the EPA and CARB pursuant to their respective authority, and
 - (2) Free from defects in materials and workmanship which, at any time during the ECS Warranty Period, may cause a warranted emissions-related part to fail to be identical in all material respects to the part as described in the engine manufacturer's application for certification.
- (c) The ECS Warranty only pertains to emissions-related parts on your engine, as follows:
 - (1) Any warranted, emissions-related parts that are not scheduled for replacement as required maintenance in the Owner's Manual shall be warranted for the ECS Warranty Period. If any such part fails during the ECS Warranty Period, it shall be repaired or replaced by Generac according to Subsection (4) below. Any such part repaired or replaced under the ECS Warranty shall be warranted for the remainder of the ECS Warranty Period.
 - (2) Any warranted, emissions-related part that is scheduled only for regular inspection as specified in the Owner's Manual shall be warranted for the ECS Warranty Period. A statement in such written instructions to the effect of "repair or replace as necessary" shall not reduce the ECS Warranty Period. Any such part repaired or replaced under the ECS Warranty shall be warranted for the remainder of the ECS Warranty Period.
 - (3) Any warranted, emissions-related part that is scheduled for replacement as required maintenance in the Owner's Manual shall be warranted for the period of time prior to the first scheduled replacement point for that part. If the part fails prior to the first scheduled replacement, the part shall be repaired or replaced by Generac according to Subsection (4) below. Any such emissions-related part repaired or replaced under the ECS Warranty shall be warranted for the remainder of the ECS Warranty Period prior to the first scheduled replacement point for such emissions-related part.
 - (4) Repair or replacement of any warranted, emissions-related part under this ECS Warranty shall be performed at no charge to the owner at a Generac Authorized Warranty Service Facility.
 - (5) When the engine is inspected by a Generac Authorized Warranty Service Facility, the owner shall not be held responsible for diagnostic costs if the repair is deemed warrantable.
 - (6) Generac shall be liable for damages to other original engine components or approved modifications proximately caused by a failure under warranty of any emission-related part covered by the ECS Warranty.
 - (7) Throughout the ECS Warranty Period, Generac shall maintain a supply of warranted emission-related parts sufficient to meet the expected demand for such emission-related parts.
 - (8) Any Generac authorized and approved emission-related replacement part may be used in the performance of any ECS Warranty maintenance or repairs and will be provided without charge to the purchaser/owner. Such use shall not reduce Generac's ECS Warranty obligations.
 - (9) Unapproved, add-on, modified, counterfeit and/or 'grey market' parts may not be used to modify or repair a Generac engine. Such use voids this ECS Warranty and shall be sufficient grounds for disallowing an ECS Warranty claim. Generac shall not be held liable hereunder for failures of any warranted parts of a Generac engine caused by the use of such an unapproved, add-on, modified, counterfeit and/or 'grey market' part.

EMISSION RELATED PARTS INCLUDE THE FOLLOWING:

*Generac engine types covered by this warranty statement include the following:

- 1) Utility
- 2) Lawn and Garden Equipment
- 3) Recreational Vehicle (RV) Generator
- 4) Industrial Mobile (IM) Generator

Part 2

- | | |
|----------------------------------------------------------------------------------------------------------------------------------------------------------------------------------------------------------------------------------------------------------------------------------------------------------------------------------------------------------------------------------------------------------------------------------------------------------------------------------------------------------------------------------------------------------------------------------------------------------------------------------------------------------------------------------------------------------------------------------------------|------------------------------------------------------------------------------------------------------------------------------------------------------------------------------------------------------------------------------------------------------------------------------------------------------------------------------------------------------------------------------------------------------------------------------------------------------------------------------------------------------------------------------------------------------------------------------------------------------------|
| <ol style="list-style-type: none">1) Fuel Metering System:<ol style="list-style-type: none">1.1) Gasoline carburetor assembly and its internal components (if so equipped).<ol style="list-style-type: none">a) Fuel filter (if so equipped)b) Carburetor gasketsc) Fuel pump (if so equipped)1.2) LPG carburetion assembly and its internal components (if so equipped).<ol style="list-style-type: none">a) Fuel controller (if so equipped)b) Mixer and its gaskets (if so equipped)c) Carburetor and its gaskets (if so equipped)d) Primary gas regulator (if so equipped)e) LP liquid vaporizer (if so equipped) | <ol style="list-style-type: none">2) Air Induction System including:<ol style="list-style-type: none">a) Intake pipe/manifoldb) Air cleaner3) Ignition System including:<ol style="list-style-type: none">a) Spark plugb) Ignition module4) Catalytic Muffler Assembly (if so equipped) including:<ol style="list-style-type: none">a) Muffler gasketb) Exhaust manifold5) Crankcase Breather Assembly including:<ol style="list-style-type: none">a) Breather connection tube |
|----------------------------------------------------------------------------------------------------------------------------------------------------------------------------------------------------------------------------------------------------------------------------------------------------------------------------------------------------------------------------------------------------------------------------------------------------------------------------------------------------------------------------------------------------------------------------------------------------------------------------------------------------------------------------------------------------------------------------------------------|------------------------------------------------------------------------------------------------------------------------------------------------------------------------------------------------------------------------------------------------------------------------------------------------------------------------------------------------------------------------------------------------------------------------------------------------------------------------------------------------------------------------------------------------------------------------------------------------------------|



Section 8 – Warranty

Recreational Vehicle Generator

GENERAC POWER SYSTEMS' THREE-YEAR LIMITED WARRANTY FOR GUARDIAN RECREATIONAL VEHICLE GENERATORS

NOTE: ALL UNITS MUST BE INSTALLED BY GENERAC POWER SYSTEMS AUTHORIZED SERVICE FACILITIES. For a period of 3 (three) years of operation from the date of original sale, Generac Power Systems, Inc. (Generac) will, at its option, repair or replace any part which, upon examination, inspection and testing by Generac or a Generac Authorized Warranty Service Facility, is found to be defective under normal use and service, in accordance with the warranty schedule set forth below. Any equipment that the purchaser/owner claims to be defective must be returned to and examined by the nearest Generac Authorized Warranty Service Facility. All transportation costs under the warranty, including return to the factory, are to be borne and prepaid by the purchaser/owner. This warranty applies only to Generac generators sold and rated for "Recreational Vehicle" (RV) applications, as Generac has defined Recreational Vehicle generator applications. The factory recommends exercising the unit one half-hour every month.

WARRANTY SCHEDULE – COMMERCIAL APPLICATIONS

YEAR ONE – 100% (one hundred percent) coverage on part(s), labor, removal and reinstallation listed:

- **Engine** – All components
- **Alternator** – All components

WARRANTY SCHEDULE – CONSUMER/PERSONAL APPLICATIONS

YEARS ONE AND TWO – 100% (one hundred percent) coverage on part(s), labor, removal and reinstallation listed:

- **Engine** – All components
- **Alternator** – All components

YEAR THREE – 100% (one hundred percent) only on selected part(s) and labor listed [Any labor and part(s) not listed, and removal and reinstallation are the owner's responsibility]:

- Rotor, Stator, Computer Control Board (part numbers 0A6060 and 0A3369) and inverter, (if applicable with regard to the generator) Cylinder Block, Cylinder Head, Crankshaft, Piston(s), Valve, Valve Lifter(s), Intake and Exhaust Manifolds

Generac RV generators manufactured prior to December 31, 1997, **DO NOT** have a transferable warranty. Generac RV generators manufactured after January 1, 1998, have a transferable warranty to the second owner **ONLY** for the remainder of the three-year limited warranty. Proof-of-purchase is required and must be presented to a Generac Authorized Warranty Service Facility prior to the performance of any warranty service.

All warranty expense allowances **are** subject to the conditions defined in Guardian's Warranty Policies and Procedures Guide.

THIS WARRANTY SHALL NOT APPLY TO THE FOLLOWING:

- Generac Guardian generators that utilize non-Generac replacement parts.
- Costs of normal maintenance, adjustments, installation and start-up.
- Repairs or diagnostics performed by individuals other than Guardian/Generac authorized dealers not authorized in writing by Generac Power Systems.
- Failures caused by any contaminated fuels, oils, coolants or lack of proper fluid amounts.
- Failures due, but not limited, to normal wear and tear, accident, misuse, abuse, negligence or improper installation. As with all mechanical devices, the Generac engines need periodic part(s) service and replacement to perform well. This warranty will not cover repair when normal use has exhausted the life of a part(s) or engine.
- Failures caused by any external cause or act of God, such as collision, theft, vandalism, riot or wars, nuclear holocaust, fire, freezing, lightning, earthquake, windstorm, hail, volcanic eruption, water or flood, tornado or hurricane.
- Damage related to rodent and/or insect infestation.
- Products that are modified or altered in a manner not authorized by Generac in writing.
- Any incidental, consequential or indirect damages caused by defects in materials or workmanship, or any delay in repair or replacement of the defective part(s).
- Failure due to misapplication.
- Telephone, cellular phone, facsimile, internet access or other communication expenses.
- Living or travel expenses of person(s) performing service, except as specifically included within the terms of a specific unit warranty period.
- Expenses related to "customer instruction" or troubleshooting where no manufacturing defect is found.
- Rental equipment used while warranty repairs are being performed.
- Overnight freight costs for replacement part(s).
- Overtime labor.
- Starting batteries, fuses, light bulbs and engine fluids.

THIS WARRANTY IS IN PLACE OF ALL OTHER WARRANTIES, EXPRESSED OR IMPLIED. SPECIFICALLY, GENERAC MAKES NO OTHER WARRANTIES AS TO THE MERCHANTABILITY OR FITNESS FOR A PARTICULAR PURPOSE. Some states do not allow limitations on how long an implied warranty lasts, so the above limitation may not apply to you.

GENERAC'S ONLY LIABILITY SHALL BE THE REPAIR OR REPLACEMENT OF PART(S) AS STATED ABOVE. IN NO EVENT SHALL GENERAC BE LIABLE FOR ANY INCIDENTAL OR CONSEQUENTIAL DAMAGES, EVEN IF SUCH DAMAGES ARE A DIRECT RESULT OF GENERAC'S NEGLIGENCE. Some states do not allow the exclusion or limitation of incidental or consequential damages, so the above limitation may not apply to you.

This warranty gives you specific legal rights. You also have other rights from state to state.

GENERAC® POWER SYSTEMS, INC.
P.O. BOX 297 • WHITEWATER, WI 53190

Revision 02.05