

GP Series

Portable Generator

MODEL: 005789-0

Owner's Manual

- SAFETY
- ASSEMBLY
- OPERATION
- TROUBLESHOOTING
- WARRANTY



**2 YEAR
LIMITED
WARRANTY**

AUTHORIZED DEALER SUPPORT:

www.generac.com
or
1-888-GENERAC

GENERAC®

**TABLE
OF
CONTENTS**

Table of Contents
Portable Generator System

Introduction.....	1	Section 3 – Maintenance	9
Read this Manual Thoroughly.....	1	3.1 Maintenance Schedule	9
Safety Rules	2	3.2 Product Specifications.....	9
Standards Index	3	3.2.1 Generator Specifications	9
Section 1 – General Information.....	4	3.2.2 Engine Specifications.....	9
1.1 Unpacking.....	4	3.3 General Recommendations.....	9
1.1.1 Accessory Box.....	4	3.3.1 Generator Maintenance	9
1.2 Assembly.....	4	3.3.2 To Clean the Generator.....	10
1.2.1 Assembling the Accessory Kit.....	4	3.3.3 Engine Maintenance.....	10
Section 2 – Operation	4	3.3.4 Checking Oil Level.....	10
2.1 Know the Generator	4	3.3.5 Changing the Oil.....	10
2.2 Cord Sets and Connection Plugs	6	3.3.6 Replacing the Spark Plug	10
2.2.1 120 VAC, 20 Ampt, Duplex Receptacle.....	6	3.3.7 Spark Arrestor.....	10
2.3 How to Use the Generator	6	3.4 Service Air Filter	10
2.3.1 Grounding the Generator	6	3.5 Valve Clearance.....	11
2.3.2 Connecting Electrical Loads`	6	3.6 General	11
2.4 Don't Overload the Generator.....	6	3.7 Long Term Storage.....	11
2.5 Wattage Reference Guide	7	3.8 Other Storage Tips	11
2.6 Before Starting the Generator	7	Section 4 – Troubleshooting	12
2.6.1 Adding Engine Oil.....	7	4.1 Troubleshooting Guide.....	12
2.6.2 Adding Gasoline.....	7	Section 6 – Warranty.....	14
2.7 To Start the Engine.....	8	<hr/>	
2.8 Stopping the Engine	9	Manual del propietario	17
2.9 Low Oil Level Shutdown System	9	Guide du propriétaire	35
2.9.1 Sensing Low Oil Level.....	9		

INTRODUCTION

Thank you for purchasing this model by Generac Power Systems, Inc. This model is a compact, high performance, air-cooled, engine driven generator designed to supply electrical power to operate electrical loads on job sites, or remote locations where no utility power is available or in place of utility due to a power outage.

READ THIS MANUAL THOROUGHLY

If any portion of this manual is not understood, contact the nearest Authorized Dealer for starting, operating and servicing procedures.

Throughout this publication, and on tags and decals affixed to the generator, DANGER, WARNING, CAUTION and NOTICE blocks are used to alert personnel to special instructions about a particular operation that may be hazardous if performed incorrectly or carelessly. Observe them carefully. Their definitions are as follows:



After this heading, read instructions that, if not strictly complied with, will result in serious personal injury, including death and/or property damage.



After this heading, read instructions that, if not strictly complied with, may result in serious personal injury and/or property damage.



After this heading, read instructions that, if not strictly complied with, could result in damage to equipment and/or property, and minor injury.

NOTICE:

After this heading, read explanatory statements that require special emphasis and relate to property damage.

These safety warnings cannot eliminate the hazards that they indicate. Common sense and strict compliance with the special instructions while performing the service are essential to preventing accidents.

Four commonly used safety symbols accompany the DANGER, WARNING and CAUTION blocks. The type of information each indicates is as follows:

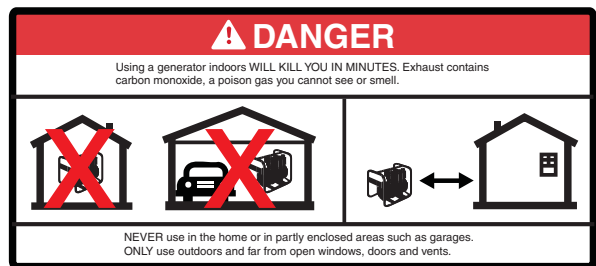
- This symbol points out important safety information that, if not followed, could endanger personal safety and/or property of others.
- This symbol points out potential explosion hazard.
- This symbol points out potential fire hazard.
- This symbol points out potential electrical shock hazard.

The operator is responsible for proper and safe use of the equipment. We strongly recommend that the operator read this manual and thoroughly understand all instructions before using the equipment.

We also strongly recommend instructing other users to properly start and operate the unit. This prepares them if they need to operate the equipment in an emergency.



- Using a generator indoors WILL KILL YOU IN MINUTES. Exhaust contains carbon monoxide, a poison gas you cannot see or smell.
- NEVER use in the home, or in partly enclosed areas such as garages. ONLY use outdoors and far from open windows, doors, vents, and in an area that will not accumulate deadly exhaust gas.



- Always disconnect the spark plug wire and place the wire where they cannot contact the spark plug to prevent accidental starting when setting up, transporting, adjusting or making repairs to the generator.
- The generator produces dangerously high voltage that can cause extremely hazardous electrical shock. Avoid contact with bare wires, terminals, etc. Never permit any unqualified person to operate or service the generator.
- Never handle any kind of electrical cord or device while standing in water, while barefoot or while hands or feet are wet. Dangerous electrical shock will result.
- The National Electric Code requires the frame and external electrically conductive parts of the generator be properly connected to an approved earth ground. Local electrical codes may also require proper grounding of the generator. Consult with a local electrician for grounding requirements in the area.
- Do not use worn, bare, frayed or otherwise damaged electrical cord sets with the generator.
- Operate generator only on level surfaces and where it will not be exposed to excessive moisture, dirt, dust or corrosive vapors.
- Gasoline is highly **FLAMMABLE** and its vapors are **EXPLOSIVE**. Do not permit smoking, open flames, sparks or heat in the vicinity while handling gasoline. Avoid spilling gasoline on a hot engine. Comply with all laws regulating storage and handling of gasoline.
- Never add fuel while unit is running. Allow generator and engine to cool entirely before adding fuel.



- ⚠ **SAVE THESE INSTRUCTIONS** – The manufacturer suggests that these rules for safe operation be copied and posted near the unit's installation site. Safety should be stressed to all operators and potential operators of this equipment.

— **⚠ WARNING ⚠** —

- ⚠ **Do not overfill the fuel tank. Always allow room for fuel expansion. If tank is over-filled, fuel can overflow onto a hot engine and cause FIRE or an EXPLOSION.**

- Never store generator with fuel in tank where gasoline vapors might reach an open flame, spark or pilot light (as on a furnace, water heater or clothes dryer). **FIRE** or **EXPLOSION** may result.
- Generator exhaust gases contain **DEADLY** carbon monoxide gas. This dangerous gas, if breathed in sufficient concentrations, can cause unconsciousness or even death. Operate this equipment only in the open air where adequate ventilation is available.

— **⚠ DANGER ⚠** —

- ⚠ **NEVER** operate the generator indoors, in a garage, near an open window, door, ventilated intake, crawl space, other opening, or in an area that could accumulate exhaust gas.

— **⚠ WARNING ⚠** —

- ⚠ **Allow at least five (5) feet, or greater, of clearance on all sides of generator or damage could be done to the unit. Never operate the unit inside any room or enclosure.**
- Never start or stop the unit with electrical loads connected to receptacles AND with connected devices turned ON. Start the engine and let it stabilize before connecting electrical loads. Disconnect all electrical loads before shutting down the generator.
 - Do not insert objects through unit's cooling slots.
 - **Never operate generator:** in rain; indoors or in any enclosed compartment; if connected electrical devices overheat; if electrical output is lost; if engine or generator sparks; if flames or smoke are observed while unit is running; if unit vibrates excessively.



WARNING:



The engine exhaust from this product contains chemicals known to the state of California to cause cancer, birth defects or other reproductive harm.



WARNING:



This product contains or emits chemicals known to the state of California to cause cancer, birth defects or other reproductive harm.

Study these **SAFETY RULES** carefully before installing, operating or servicing this equipment. Become familiar with this manual and with the unit. The generator can operate safely, efficiently and reliably only if it is properly installed, operated and maintained. Many accidents are caused by failing to follow simple and fundamental rules or precautions.

The manufacturer cannot anticipate every possible circumstance that might involve a hazard. The warnings in this manual, and on tags and decals affixed to the unit are, therefore, not all inclusive. If using a procedure, work method or operating technique that the manufacturer does not specifically recommend, ensure that it is safe for others. Also make sure the procedure, work method or operating technique utilized does not render the generator unsafe.

— **⚠ DANGER ⚠** —

- ⚠ **Despite the safe design of this generator, operating this equipment imprudently, neglecting its maintenance or being careless can cause possible injury or death. Permit only responsible and capable persons to operate or maintain this equipment.**
- ⚠ **Potentially lethal voltages are generated by these machines. Ensure all steps are taken to render the machine safe before attempting to work on the generator.**
- ⚠ **Parts of the generator are rotating and/or hot during operation. Exercise care near running generators. Do not touch hot surfaces such as the muffler. Severe burns can occur on contact. Allow generator to cool before touching.**

⚠ **GENERAL HAZARDS** ⚠

- Never operate in an enclosed area or indoors.
- For safety reasons, the manufacturer recommends that the maintenance of this equipment is carried out by an Authorized Dealer.
- The engine exhaust fumes contain carbon monoxide, which can be **DEADLY**. This dangerous gas, if breathed in sufficient concentrations, can cause headaches, fatigue, dizziness, vomiting, confusion, seizures, fainting, unconsciousness or even death. This exhaust system must be properly maintained. Do nothing that might render the exhaust system unsafe or in noncompliance with any local codes and/or standards. **A CO alarm is highly recommended.**
- Keep hands, feet, clothing, etc., away from drive belts, fans, and other moving or hot parts. Never remove any fan guard while the unit is operating.



- Adequate, unobstructed flow of cooling and ventilating air is critical to correct generator operation. Do not alter the installation or permit even partial blockage of ventilation provisions, as this can seriously affect safe operation of the generator. The generator **MUST** be operated outdoors.
- When working on this equipment, remain alert at all times. Never work on the equipment when physically or mentally fatigued.
- Inspect the generator regularly, and contact the nearest Authorized Dealer for parts needing repair or replacement.
- Before performing any maintenance on the generator, disconnect its battery cables to prevent accidental start up. Disconnect the cable from the battery post indicated by a **NEGATIVE, NEG** or **(-)** first. Reconnect that cable last.
- Never use the generator or any of its parts as a step. Stepping on the unit can stress and break parts, and may result in dangerous operating conditions from leaking exhaust gases, fuel leakage, oil leakage, etc.
- Do **NOT** operate generator in the rain.

ELECTRICAL HAZARDS

- All generators covered by this manual produce dangerous electrical voltages and can cause fatal electrical shock. Utility power delivers extremely high and dangerous voltages as does the generator when it is in operation. Avoid contact with bare wires, terminals, connections, etc., while the unit is running. Ensure all appropriate covers, guards and barriers are in place before operating the generator. If work must be done around an operating unit, stand on an insulated, dry surface to reduce shock hazard.
- Do not handle any kind of electrical device while standing in water, while barefoot, or while hands or feet are wet. **DANGEROUS ELECTRICAL SHOCK MAY RESULT.**
- The National Electrical Code (NEC) requires the frame and external electrically conductive parts of the generator to be connected to an approved earth ground. Local electrical codes also may require proper grounding of the generator electrical system.
- In case of accident caused by electric shock, immediately shut down the source of electrical power. If this is not possible, attempt to free the victim from the live conductor. **AVOID DIRECT CONTACT WITH THE VICTIM.** Use a non-conducting implement, such as a rope or board, to free the victim from the live conductor. If the victim is unconscious, apply first aid and get immediate medical help.
- Never wear jewelry when working on this equipment. Jewelry can conduct electricity resulting in electric shock, or may get caught in moving components causing injury.

FIRE HAZARDS

- For fire safety, the generator must be operated and maintained properly. Operation must always comply with applicable codes, standards, laws and regulations. Adhere strictly to local, state and national electrical and building codes. Comply with regulations the Occupational Safety and Health Administration (OSHA) has established. Also, ensure that the generator is operated in accordance with the manufacturer's instructions and recommendations. Do not alter the construction of the generator or change controls which might create an unsafe operating condition.
- Keep a fire extinguisher near the generator at all times. Extinguishers rated "ABC" by the National Fire Protection Association are appropriate for use on the standby electric system. Keep the extinguisher properly charged and be familiar with its use. If there are any questions pertaining to fire extinguishers, consult the local fire department.
- Gasoline is extremely flammable. Avoid spilling gasoline on HOT engine. Never add fuel while unit is running or hot. Do not overfill the fuel tank. Always allow room for fuel expansion in fuel tank. Wipe up spills immediately. Never fill fuel tank indoors.

EXPLOSION HAZARDS

- Do not smoke around the generator. Wipe up any fuel or oil spills immediately. Ensure that no combustible materials are left on or near the generator, as FIRE or EXPLOSION may result. Keep the area surrounding the generator clean and free from debris.
- Gasoline is highly FLAMMABLE and extremely EXPLOSIVE.

STANDARDS INDEX

In the absence of pertinent standards, codes, regulations and laws, the published information listed below may be used as a guideline for operation of this equipment. Always reference the latest revision available for the standards listed.

1. NFPA No. 70, NFPA HANDBOOK OF NATIONAL ELECTRIC CODE.
2. Article X, NATIONAL BUILDING CODE, available from the American Insurance Association, 85 John Street, New York, N.Y. 10038.
3. AGRICULTURAL WIRING HANDBOOK, available from the Food and Energy Council, 909 University Avenue, Columbia, MO 65201.
4. ASAE EP-3634, INSTALLATION AND MAINTENANCE OF FARM STANDBY ELECTRICAL SYSTEMS, available from the American Society of Agricultural Engineers, 2950 Niles Road, St. Joseph, MI 49085.
5. NFPA No. 30, FLAMMABLE AND COMBUSTIBLE LIQUIDS CODE.

1.1 UNPACKING

- Remove all packaging material.
- Remove separate accessory box.
- Remove the generator from carton.

1.1.1 ACCESSORY BOX

Check all contents. If any parts are missing or damaged, locate an authorized dealer at 1-888-436-3722.

- 1 - Owner's Manual
- 1- Oil SAE 30
- 2- 7" Wheels
- 1- Handle Assembly
- 1- Handle Bracket
- 1- Wheel Axle
- 1- Hardware Bag (containing the following):

2 - Rubber bumpers	7 - M6 Flange Nuts
2 - Bumper Brackets	2 - Cotter Pins
2 - M12 Flat Washers	2 - Hubs
5 - M6-1 x 40 Flange Bolts	2 - M6-1.0 x 16 Flange Bolts

1.2 ASSEMBLY

The generator requires some assembly prior to using it. If problems arise when assembling the generator, please call the Generator Helpline at 1-888-436-3722.

1.2.1 ASSEMBLING THE ACCESSORY KIT

The wheels are designed to the unit to greatly improve the portability of the generator.

NOTE:

The wheels are not intended for over-the-road-use.

1. Refer to Figure 1 to install the wheels as shown.
 - Slide the axle through the frame brackets.
 - Slide on the hub, wheel and flat washer, then insert the cotter pin through the wheel axle hole.
 - Bend the cotter pin tabs outward to lock the pin in place.
2. Refer to Figure 1 to install the wheel bumpers as shown.
 - Insert an M6 bolt through the rubber bumper and the bottom of the bumper bracket. Secure the bolt with an M6 flange nut.
 - Install an M6 bolt through the generator frame and through top of the bumper bracket. Secure the bolt with an M6 flange nut.
3. Refer to Figure 2 to install the handle assembly as shown.
 - Insert the handle bracket onto the generator frame and secure with two M6 bolts and two M6 flange nuts.
 - Align the handle assembly holes with the handle bracket holes and secure with one M6 bolt and one M6 flange nut.

Figure 1 – Wheel Assembly

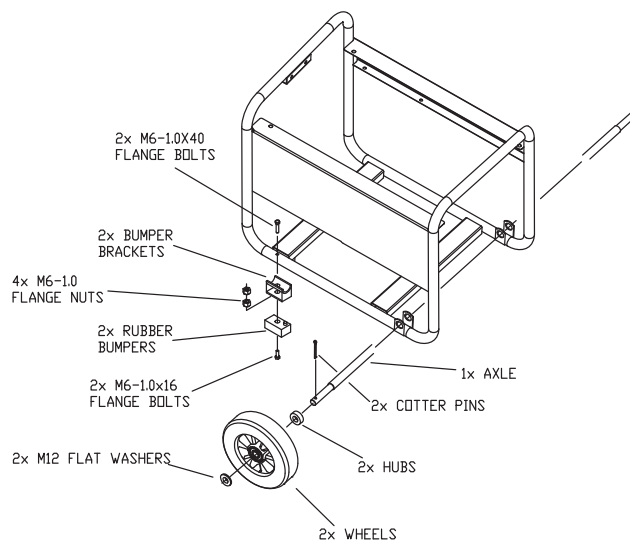
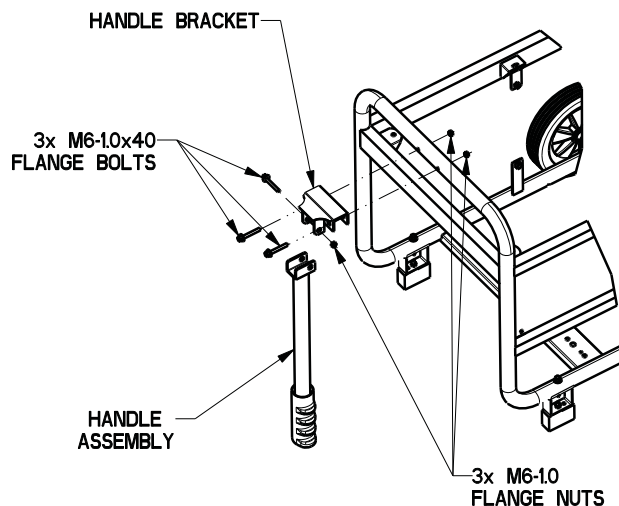


Figure 2 – Handle Kit



2.1 KNOW THE GENERATOR

Read the Owner's Manual and Safety Rules before operating this generator.

Compare the generator to Figures 3 through 6 to become familiarized with the locations of various controls and adjustments. Save this manual for future reference.

1. **120 Volt AC, 20 Amp, GFCI Receptacle** – Supplies electrical power for the operation of 120 Volt AC, 20 Amp, single-phase, 60 Hz electrical lighting, appliance, tool and motor loads.
2. **Circuit Breakers (AC)** – Each receptacle is provided with a 13.5A push-to-reset circuit breaker to protect the generator against electrical overload.
3. **Air Filter** – Filters intake air as it is drawn into the engine.

4. **Choke Knob** – Used when starting a cold engine.
5. **Fuel Tank** – Tank holds 4 U.S. gallons of fuel.
6. **Grounding Lug** – Ground the generator to an approved earth ground here. See "Grounding the Generator" for details.
7. **On/OFF Switch** – Controls the operation of the generator.
8. **Muffler** – Quiets the engine.
9. **Handle** – Pivot and retract for storage.
10. **Gas Cap** – Fuel fill location.
11. **Fuel Gauge** – Shows fuel level in tank.
12. **Oil Check/Fill** – Check and fill oil here.
13. **Recoil Starter** – Use to start engine manually.
14. **Fuel Shut Off** – Valve between fuel tank and carburetor.
15. **Oil Drain Plug** – Used to drain engine oil.
16. **Spark Arrestor** – Reduces fire hazard by containing sparks.
17. **Roll Over Valve** – Passes fuel vapors to the carbon canister.
18. **Carbon Canister** – Absorbs fuel tank vapors.
19. **Recovery Hose** – Installed between items 17 & 18.

Figure 3 - Control Panel



Figure 4 - Generator Controls

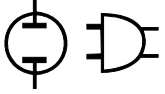


Figure 5 - Generator Controls



Figure 6 - Generator Controls





2.2 CORD SETS AND CONNECTION PLUGS

2.2.1 120 VAC, 20 AMP, DUPLEX RECEPTACLE

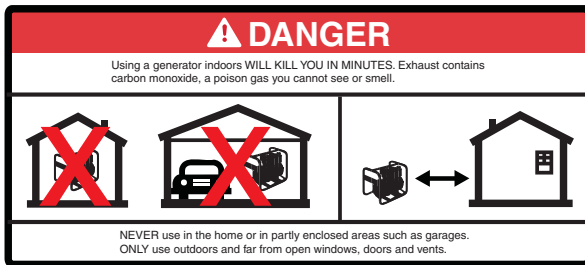
This is a 120 Volt outlet protected against overload by a 13.5 Amp push-to-reset circuit breaker (Figure 6). 13.5 Amps of current may be drawn from each socket, however, total power drawn must be kept within data plate ratings. Use only high quality, well insulated, 3-wire grounded cord sets rated for 125 Volts at 20 Amps (or greater).

2.3 HOW TO USE THE GENERATOR

If there are any problems operating the generator, please call the generator helpline at 1-888-436-3722.



- ⚠ **Using a generator indoors WILL KILL YOU IN MINUTES.** Exhaust contains carbon monoxide, a poison gas you cannot see or smell.
- ⚠ **NEVER use in the home, or in partly enclosed areas such as garages. ONLY use outdoors and far from open windows, doors, vents, and in an area that will not accumulate deadly exhaust gas.**



2.3.1 GROUNDING THE GENERATOR

The National Electrical Code requires that the frame and external electrically conductive parts of this generator be properly connected to an approved earth ground (Figure 7). Local electrical codes may also require proper grounding of the unit. For that purpose, connecting a No. 10 AWG (American Wire Gauge) stranded copper wire to the grounding lug and to an earth-driven copper or brass grounding rod (electrode) provides adequate protection against electrical shock. However, local codes may vary widely. Consult with a local electrician for grounding requirements in the area.

Proper grounding of the generator will help prevent electrical shock in the event of a ground fault condition in the generator or in connected electrical devices. Proper grounding also helps dissipate static electricity, which often builds up in ungrounded devices.

Figure 7 - Grounding the Generator



2.3.2 CONNECTING ELECTRICAL LOADS

DO NOT connect 240 Volt loads to 120 Volt receptacles. **DO NOT** connect 3-phase loads to the generator. **DO NOT** connect 50 Hz loads to the generator.

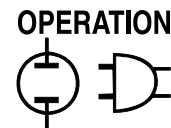
- Let engine stabilize and warm up for a few minutes after starting.
- Plug in and turn on the desired 120 or 240 Volt AC, single phase, 60 Hz electrical loads.
- Add up the rated watts (or amps) of all loads to be connected at one time. This total should not be greater than (a) the rated wattage/ampere capacity of the generator or (b) circuit breaker rating of the receptacle supplying the power. See "Don't Overload the Generator".

2.4 DON'T OVERLOAD THE GENERATOR

Overloading a generator in excess of its rated wattage capacity can result in damage to the generator and to connected electrical devices. Observe the following to prevent overloading the unit:

- Add up the total wattage of all electrical devices to be connected at one time. This total should NOT be greater than the generator's wattage capacity.
- The rated wattage of lights can be taken from light bulbs. The rated wattage of tools, appliances and motors can usually be found on a data label or decal affixed to the device.
- If the appliance, tool or motor does not give wattage, multiply volts times ampere rating to determine watts (volts x amps = watts).
- Some electric motors, such as induction types, require about three times more watts of power for starting than for running. This surge of power lasts only a few seconds when starting such motors. Make sure to allow for high starting wattage when selecting electrical devices to connect to the generator:
 1. Figure the watts needed to start the largest motor.
 2. Add to that figure the running watts of all other connected loads.

The Wattage Reference Guide is provided to assist in determining how many items the generator can operate at one time.



NOTE:

All figures are approximate. See data label on appliance for wattage requirements.

2.5 WATTAGE REFERENCE GUIDE

Device	Running Watts
*Air Conditioner (12,000 Btu)	1700
*Air Conditioner (24,000 Btu)	3800
*Air Conditioner (40,000 Btu)	6000
Battery Charger (20 Amp)	500
Belt Sander (3")	1000
Chain Saw	1200
Circular Saw (6-1/2")	800 to 1000
*Clothes Dryer (Electric)	5750
*Clothes Dryer (Gas)	700
*Clothes Washer	1150
Coffee Maker	1750
*Compressor (1 HP)	2000
*Compressor (3/4 HP)	1800
*Compressor (1/2 HP)	1400
Curling Iron	700
*Dehumidifier	650
Disc Sander (9")	1200
Edge Trimmer	500
Electric Blanket	400
Electric Nail Gun	1200
Electric Range (per element)	1500
Electric Skillet	1250
*Freezer	700
*Furnace Fan (3/5 HP)	875
*Garage Door Opener	500 to 750
Hair Dryer	1200
Hand Drill	250 to 1100
Hedge Trimmer	450
Impact Wrench	500
Iron	1200
*Jet Pump	800
Lawn Mower	1200
Light Bulb	100
Microwave Oven	700 to 1000
*Milk Cooler	1100
Oil Burner on Furnace	300
Oil Fired Space Heater (140,000 Btu)	400
Oil Fired Space Heater (85,000 Btu)	225
Oil Fired Space Heater (30,000 Btu)	150
*Paint Sprayer, Airless (1/3 HP)	600
Paint Sprayer, Airless (handheld)	150
Radio	50 to 200
*Refrigerator	700
Slow Cooker	200
*Submersible Pump (1-1/2 HP)	2800
*Submersible Pump (1 HP)	2000
*Submersible Pump (1/2 HP)	1500
*Sump Pump	800 to 1050
*Table Saw (10")	1750 to 2000
Television	200 to 500
Toaster	1000 to 1650
Weed Trimmer	500

* Allow 3 times the listed watts for starting these devices.

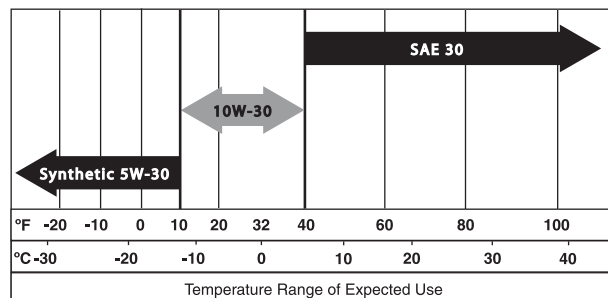
2.6 BEFORE STARTING THE GENERATOR

Prior to operating the generator, engine oil and gasoline will need to be added, as follows:

2.6.1 ADDING ENGINE OIL

All oil should meet minimum American Petroleum Institute (API) Service Class SJ, SL or better. Use no special additives. Select the oil's viscosity grade according to the expected operating temperature (also see chart).

- Above 40° F, use SAE 30
- Below 40° F and down to 10° F, use 10W-30
- Below 10° F, use synthetic 5W-30



CAUTION

Any attempt to crank or start the engine before it has been properly serviced with the recommended oil may result in an engine failure.

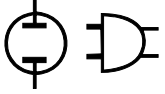
- Place generator on a level surface.
- Clean area around oil fill and remove oil fill cap and dipstick.
- Wipe dipstick clean.
- Slowly fill engine with oil through the oil fill opening until it reaches the full mark on the dipstick. Stop filling occasionally to check oil level. **Be careful not to over fill.**
- Install oil fill cap and finger tighten securely.
- Check engine oil level before starting each time thereafter.

2.6.2 ADDING GASOLINE

DANGER

Never fill fuel tank indoors. Never fill fuel tank when engine is running or hot. Allow engine to cool entirely before filling fuel tank. Avoid spilling gasoline on HOT engine. **DO NOT** light a cigarette or smoke when filling the fuel tank. Gasoline is highly **FLAMMABLE** and its vapors are **EXPLOSIVE**.

OPERATION



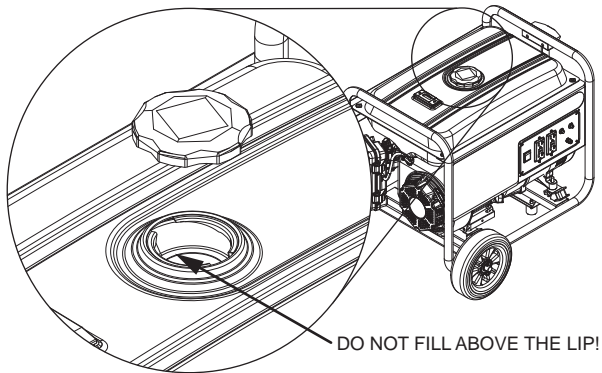
Section 2 – Operation Portable Generator System

CAUTION

⚠ **Do not overfill the fuel tank. Always leave room for fuel expansion. If the fuel tank is overfilled, fuel can overflow onto a HOT engine and cause FIRE or EXPLOSION.**

- Use regular UNLEADED gasoline with the generator engine. Do not use any gasoline with more than 10% added Ethanol, and never use E85 gasoline. Do not mix oil with gasoline.
- Clean area around fuel fill cap, remove cap.
- Slowly add unleaded regular gasoline to fuel tank. Fill to bottom of screen filter. **Be careful not to overfill** (Figure 8).
- Install fuel cap and wipe up any spilled gasoline.

Figure 8 - Fuel Tank



IMPORTANT: It is important to prevent gum deposits from forming in fuel system parts such as the carburetor, fuel hose or tank during storage. Alcohol-blended fuels (called gasohol, ethanol or methanol) can attract moisture, which leads to separation and formation of acids during storage. Acidic gas can damage the fuel system of an engine while in storage. To avoid engine problems, the fuel system should be emptied before storage of 30 days or longer. See the "Storage" section. Never use engine or carburetor cleaner products in the fuel tank as permanent damage may occur.

2.7 TO START THE ENGINE

WARNING

⚠ **Never start or stop engine with electrical devices plugged into the receptacles AND devices turned on.**

- Unplug all electrical loads from the unit's receptacles before starting the engine.
- Make sure the unit is in a level position.
- Turn the Fuel Shut-off Valve to the "ON" position (Figure 9).
- Turn engine ON/OFF switch to ON position (Figure 9).
- Move engine CHOKE lever to the START position (Figure 10).

- To start engine, firmly grasp the recoil handle and pull slowly until increased resistance is felt. Pull rapidly up and away.
- When engine starts, move choke lever to 1/2-CHOKE position until engine runs smoothly and then fully into RUN position. If engine falters, move choke back out to 1/2-CHOKE position until engine runs smoothly and then to RUN position.

NOTE:

If engine fires, but does not continue to run, move choke lever to the START position and repeat starting instructions.

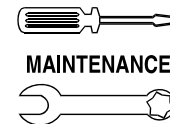
Figure 9 - Fuel Shut-off Valve



Figure 10 - Choke Position



IMPORTANT: Do not overload the generator. Also, do not overload individual panel receptacles. These outlets are protected against overload with push-to-reset-type circuit breakers. If amperage rating of any circuit breaker is exceeded, that breaker opens and electrical output to that receptacle is lost. Read "Don't Overload the Generator" carefully.



2.8 STOPPING THE ENGINE

- Shut off all loads, then unplug the electrical loads from generator panel receptacles. Never start or stop the engine with electrical devices plugged in and turned on.
- Let engine run at no-load for several minutes to stabilize the internal temperatures of engine and generator.
- Move ON/OFF switch to OFF position.
- Close fuel valve.

2.9 LOW OIL LEVEL SHUTDOWN SYSTEM

The engine is equipped with a low oil level sensor that shuts down the engine automatically when the oil level drops below a specified level. If the engine shuts down by itself and the fuel tank has enough gasoline, check engine oil level.

2.9.1 SENSING LOW OIL LEVEL

If the system senses a low oil level during operation, the engine shuts down. The engine will not run until the oil has been refilled to the proper level.

3.1 MAINTENANCE SCHEDULE

Follow the calendar intervals. More frequent service is required when operating in adverse conditions noted below.

Check Oil Level	At Each Use
Change Oil +	*Every Season
Check Valve Clearance	***Every Season
Service Air Filter	**Every Season
Replace Spark Plug	Every Season

- + Change oil after first 20 hours of operation, then every season.
- * Change oil every month when operating under heavy load or in high temperatures.
- ** Clean more often under dirty or dusty operating conditions. Replace air filter parts if they cannot be adequately cleaned.
- *** Check valve clearance and adjust if necessary after first 50 hours of operation and every 100 hours thereafter.

3.2 PRODUCT SPECIFICATIONS

3.2.1 GENERATOR SPECIFICATIONS

Rated Power	3.25 kW**
Surge Power	3.75 kW
Rated AC Voltage	120
Rated Current.....	27 Amps**
Rated Frequency	60 Hz @ 3600 RPM
Phase	Single Phase

** Maximum wattage is subject to, and limited by, such factors as fuel Btu content, ambient temperature, altitude, engine condition, etc.. Maximum power decreases about 3.5% for each 1,000 feet above sea level; and will also decrease about 1% for each 6° C (10° F) above 16° C (60° F) ambient temperature.

3.2.2 ENGINE SPECIFICATIONS

Displacement	208 cc
Spark Plug Type	F6TC, NGK BPR4ES or Champion RN14YC
Spark Plug Gap	0.028-0.031 inch or (0.70-0.80 mm)
Gasoline Capacity	15.14 L (4 U.S. gallons)
Oil Type.....	See Chart in "Before Starting the Generator" Section
Oil Capacity	0.6 L (0.634 Qts.)
Run Time.....	12.5 Hours at 1/2 Load
Class II Emission Certified*	

* The engine manufacturer must warrant the emission control system for a period of two years. This warranty coverage is in addition to the warranty provided by Generac, and may cover the engine even if Generac's warranty does not.

3.3 GENERAL RECOMMENDATIONS

The warranty of the generator does not cover items that have been subjected to operator abuse or negligence. To receive full value from the warranty, the operator must maintain the generator as instructed in this manual.

Some adjustments will need to be made periodically to properly maintain the generator.

All adjustments in the Maintenance section of this manual should be made at least once each season. Follow the requirements in the "Maintenance Schedule".

NOTE:

Once a year replace the spark plug and replace the air filter. A new spark plug and clean air filter assure proper fuel-air mixture and help the engine run better and last longer.

3.3.1 GENERATOR MAINTENANCE

Generator maintenance consists of keeping the unit clean and dry. Operate and store the unit in a clean dry environment where it will not be exposed to excessive dust, dirt, moisture or any corrosive vapors. Cooling air slots in the generator must not become clogged with snow, leaves, or any other foreign material.

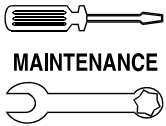
Check the cleanliness of the generator frequently and clean when dust, dirt, oil, moisture or other foreign substances are visible on its exterior surface.



Never insert any object or tool through the air cooling slots, even if the engine is not running.

NOTE:

DO NOT use a garden hose to clean generator. Water can enter the engine fuel system and cause problems. In addition, if water enters the generator through cooling air slots, some water will be retained in voids and crevices of the rotor and stator winding insulation. Water and dirt buildup on the generator internal windings will eventually decrease the insulation resistance of these windings.



3.3.2 TO CLEAN THE GENERATOR

- Use a damp cloth to wipe exterior surfaces clean.
- A soft, bristle brush may be used to loosen caked on dirt, oil, etc.
- A vacuum cleaner may be used to pick up loose dirt and debris.
- Low pressure air (not to exceed 25 psi) may be used to blow away dirt. Inspect cooling air slots and openings on the generator. These openings must be kept clean and unobstructed.

3.3.3 ENGINE MAINTENANCE

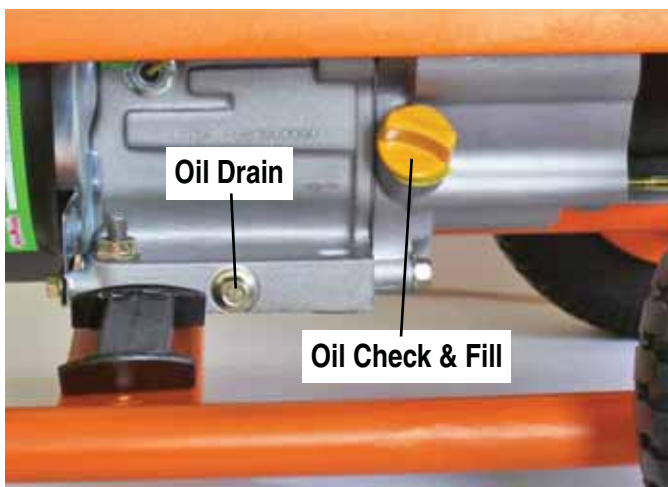


⚠ When working on the generator, always disconnect spark plug wire from spark plug and keep wire away from spark plug.

3.3.4 CHECKING OIL LEVEL

See the “Before Starting the Generator” section for information on checking the oil level. The oil level should be checked before each use, or at least every eight hours of operation. Keep the oil level maintained (Figure 11).

Figure 11 - Oil Drain, Check & Fill



3.3.5 CHANGING THE OIL

Change the oil after the first eight hours of operation, then every 20 hours thereafter. If running this unit under dirty or dusty conditions, or in extremely hot weather, change the oil more often.



⚠ Hot oil may cause burns. Allow engine to cool before draining oil. Avoid prolonged or repeated skin exposure with used oil. Thoroughly wash exposed areas with soap.

Use the following instructions to change the oil while the engine is still warm:

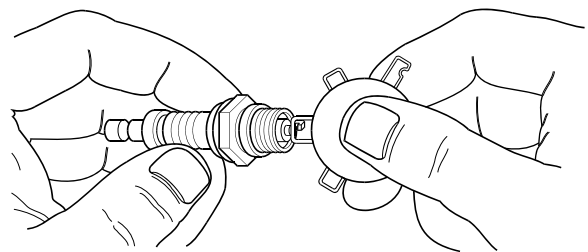
- Clean area around oil drain plug.
- Remove oil drain plug from engine and oil fill plug to drain oil completely into a suitable container.
- When oil has completely drained, install oil drain plug and tighten securely.
- Fill engine with recommended oil. (See “Before Starting the Generator” for oil recommendations).
- Wipe up any spilled oil.
- Dispose of used oil at a proper collection center.

3.3.6 REPLACING THE SPARK PLUG

Use spark plug F6TC, NGK BPR4ES or Champion RN14YC. Replace the plug once each year. This will help the engine start easier and run better.

1. Stop the engine and pull the spark plug wire off of the spark plug.
2. Clean the area around the spark plug and remove it from the cylinder head.
3. Set the spark plug's gap to 0.70-0.80 mm (0.028-0.031 in.). Install the correctly gapped spark plug into the cylinder head and torque to 15 ft/lbs. (Figure 12).

Figure 12 - Spark Plug Gap



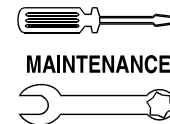
3.3.7 SPARK ARRESTOR

1. Shut off generator and allow the engine and muffler to cool down completely before servicing spark arrester (located on the back of the muffler).
2. Remove the clamp and spark arrester screen.
3. Clean the spark arrester screen with a small wire brush.
4. Replace the spark arrester if it is damaged.
5. Installation of the spark arrester screen is the reverse of the removal.

3.4 SERVICE AIR FILTER

The engine will not run properly and may be damaged if using a dirty air filter. Clean the air filter once a year (Figure 13). Clean or replace more often if operating under dusty conditions.

- Remove air filter cover.
- Wash in soapy water. Squeeze filter dry in clean cloth (DO NOT TWIST).
- Clean air filter cover before re-installing it.



NOTE:

To order a new air filter, please contact the nearest authorized service center at 1-888-436-3722.

Figure 13 - Air Filter



3.5 VALVE CLEARANCE

- Intake — $0.10 \pm 0.02\text{mm}$ (cold), ($0.003'' \pm 0.005''$ inches)
- Exhaust — $0.15 \pm 0.02\text{mm}$ (cold) ($0.005'' \pm 0.007''$ inches)

After the first 50 hours of operation, check the valve clearance in the engine and adjust if necessary.

Important: If feeling uncomfortable about doing this procedure or the proper tools are not available, please take the generator to the nearest service center to have the valve clearance adjusted. This is a very important step to ensure longest life for the engine.

3.6 GENERAL

The generator should be started at least once every seven days and be allowed to run at least 30 minutes. If this cannot be done and the unit must be stored for more than 30 days, use the following information as a guide to prepare it for storage.



- ⚠ **NEVER** store engine with fuel in tank indoors or in enclosed, poorly ventilated areas where fumes may reach an open flame, spark or pilot light as on a furnace, water heater, clothes dryer or other gas appliance.

3.7 LONG TERM STORAGE

It is important to prevent gum deposits from forming in essential fuel system parts such as the carburetor, fuel hose or tank during storage. Also, experience indicates that alcohol-blended fuels (called gasohol, ethanol or methanol) can attract moisture, which leads to separation and formation of acids during storage. Acidic gas can damage the fuel system of an engine while in storage.

To avoid engine problems, the fuel system should be emptied before storage of 30 days or longer, as follows:

- Remove all gasoline from the fuel tank.



- ⚠ **Drain fuel into approved container outdoors, away from open flame. Be sure engine is cool. Do not smoke.**

- Start and run engine until engine stops from lack of fuel.
- While engine is still warm, drain oil from crankcase. Refill with recommended grade.
- Remove spark plugs and pour about 1/2 ounce (15 ml) of engine oil into the cylinders. Cover spark plug hole with rag. Pull the recoil starter a couple times to lubricate the piston rings and cylinder bore.



- ⚠ **Avoid spray from spark plug holes when cranking engine.**

- Install and tighten spark plugs. Do not connect spark plug wires.
- Clean the generator outer surfaces. Check that cooling air slots and openings on generator are open and unobstructed.
- Store the unit in a clean, dry place.

3.8 OTHER STORAGE TIPS

- Do not store gasoline from one season to another.
- Replace the gasoline can if it starts to rust. Rust and/or dirt in the gasoline will cause problems with the carburetor and fuel system.
- If possible, store the unit indoors and cover it to give protection from dust and dirt. **BE SURE TO EMPTY THE FUEL TANK.**
- If it is not practical to empty the fuel tank and the unit is to be stored for some time, use a commercially available fuel stabilizer added to the gasoline to increase the life of the gasoline.
- Cover the unit with a suitable protective cover that does not retain moisture.



- ⚠ **NEVER** cover the generator while engine and exhaust areas are warm.



4.1 TROUBLESHOOTING GUIDE

PROBLEM	CAUSE	CORRECTION
Engine is running, but no AC output is available.	<ol style="list-style-type: none"> 1. Circuit breaker is open. 2. Poor connection or defective cord set. 3. Connected device is bad. 4. Fault in generator. 	<ol style="list-style-type: none"> 1. Reset circuit breaker. 2. Check and repair. 3. Connect another device that is in good condition. 4. Contact Authorized Service Facility.
Engine runs good but bogs down when loads are connected.	<ol style="list-style-type: none"> 1. Short circuit in a connected load. 2. Generator is overloaded. 3. Engine speed is too slow. 4. Shorted generator circuit. 	<ol style="list-style-type: none"> 1. Disconnect shorted electrical load. 2. See "Don't Overload the Generator" . 3. Contact Authorized Service Facility. 4. Contact Authorized Service Facility.
Engine will not start; or starts and runs rough.	<ol style="list-style-type: none"> 1. Dirty air filter. 2. Out of gasoline. 3. Stale gasoline. 4. Spark plug wire not connected to spark plug. 5. Bad spark plug. 6. Water in gasoline. 7. Over-choking. 8. Low oil level. 9. Excessive rich fuel mixture. 10. Intake valve stuck open or closed. 11. Engine has lost compression. 	<ol style="list-style-type: none"> 1. Clean or replace air filter. 2. Fill fuel tank. 3. Drain fuel tank and fill with fresh fuel. 4. Connect wire to spark plug. 5. Replace spark plug. 6. Drain fuel tank; fill with fresh fuel. 7. Put choke knob to No Choke position. 8. Fill crankcase to proper level. 9. Contact Authorized Service Facility. 10. Contact Authorized Service Facility. 11. Contact Authorized Service Facility.
Engine shuts down during operation.	<ol style="list-style-type: none"> 1. Out of gasoline. 2. Low oil level. 3. Fault in engine. 	<ol style="list-style-type: none"> 1. Fill fuel tank. 2. Fill crankcase to proper level. 3. Contact Authorized Service Facility.
Engine lacks power.	<ol style="list-style-type: none"> 1. Load is too high. 2. Dirty air filter. 3. Engine needs to be serviced. 	<ol style="list-style-type: none"> 1. See "Don't Overload the Generator". 2. Replace air filter. 3. Contact Authorized Service Facility.
Engine "hunts" or falters.	<ol style="list-style-type: none"> 1. Choke is opened too soon. 2. Carburetor is running too rich or too lean. 	<ol style="list-style-type: none"> 1. Move choke to halfway position until engine runs smoothly. 2. Contact Authorized Service Facility.



FEDERAL EMISSION CONTROL WARRANTY STATEMENT YOUR WARRANTY RIGHTS AND OBLIGATIONS

The United States Environmental Protection Agency (EPA) and Generac Power Systems, Inc. (Generac) are pleased to explain the Emission Control System warranty on your new 2008 and later equipment. New equipment that use small spark-ignited engines must be designed, built, and equipped to meet stringent anti-smog standards for the federal government. Generac will warrant the emission control system on your generator for the period of time listed below provided there has been no abuse, neglect, unapproved modification or improper maintenance of your equipment.

Your emission control system may include parts such as the: carburetor, ignition system, fuel system, catalytic converter, and other associated emission-related components (if equipped).

MANUFACTURER'S WARRANTY COVERAGE:

This emission control system is warranted for two years. If, during such warranty period, any emission-related part on your equipment is found to be defective in materials or workmanship, repairs or replacement will be performed by a Generac Authorized Warranty Service Dealer.

OWNER'S WARRANTY RESPONSIBILITIES:

As the generator owner, you are responsible for the completion of all required maintenance as listed in your factory supplied Owner's Manual. For warranty purposes, Generac recommends that you retain all receipts covering maintenance on your generator, but Generac cannot deny warranty solely due to the lack of receipts.

As the generator owner, you should be aware that Generac may deny any and/or all warranty coverage or responsibility if your generator, or a part/component thereof, has failed due to abuse, neglect, improper maintenance or unapproved modifications, or the use of counterfeit and/or "grey market" parts not made, supplied or approved by Generac.

You are responsible for contacting a Generac Authorized Warranty Dealer as soon as a problem occurs. The warranty repairs should be completed in a reasonable amount of time, not to exceed 30 days.

Warranty service can be arranged by contacting either your selling dealer or a Generac Authorized Warranty Service Dealer. To locate the Generac Authorized Warranty Service Dealer nearest you, call our toll free number:

1-800-333-1322

IMPORTANT NOTE: This warranty statement explains your rights and obligations under the Emission Control System Warranty (ECS Warranty), which is provided to you by Generac pursuant to federal law. See also the "Generac Limited Warranties for Generac Power Systems, Inc.," which is enclosed herewith on a separate sheet, also provided to you by Generac. Note that this warranty shall not apply to any incidental, consequential or indirect damages caused by defects in materials or workmanship or any delay in repair or replacement of the defective part(s). This warranty is in place of all other warranties, expressed or implied. Specifically, Generac makes no other warranties as to the merchantability or fitness for a particular purpose. Some states do not allow limitations on how long an implied warranty lasts, so the above limitation may not apply to you.

The ECS Warranty applies only to the emission control system of your new equipment. If there is any conflict in terms between the ECS Warranty and the Generac Warranty, the Generac Warranty shall apply. Both the ECS Warranty and the Generac Warranty describe important rights and obligations with respect to your new engine.

Warranty service can be performed only by a Generac Authorized Warranty Service Facility. When requesting warranty service, evidence must be presented showing the date of the sale to the original purchaser/owner.

If you have any questions regarding your warranty rights and responsibilities, you should contact Generac at the following address:

**ATTENTION WARRANTY DEPARTMENT
GENERAC POWER SYSTEMS, INC.
P.O. BOX 297 • WHITEWATER, WI 53190**



EMISSION CONTROL SYSTEM WARRANTY

Emission Control System Warranty (ECS warranty) for equipment using small spark-ignited engines:

- (a) **Applicability:** This warranty shall apply to equipment that uses small off-road engines. The ECS Warranty period shall begin on the date the new equipment is purchased by/delivered to its original, end-use purchaser/owner and shall continue for 24 consecutive months thereafter.
- (b) **General Emissions Warranty Coverage:** Generac warrants to the original, end-use purchaser/owner of the new engine or equipment and to each subsequent purchaser/owner that the ECS when installed was:
 - (1) Designed, built and equipped so as to conform with all applicable regulations; and
 - (2) Free from defects in materials and workmanship which cause the failure of a warranted part at any time during the ECS Warranty Period.
- (c) The warranty on emissions-related parts will be interpreted as follows:
 - (1) Any warranted part that is not scheduled for replacement as required maintenance in the Owner's Manual shall be warranted for the ECS Warranty Period. If any such part fails during the ECS Warranty Period, it shall be repaired or replaced by Generac according to Subsection (4) below. Any such part repaired or replaced under the ECS Warranty shall be warranted for the remainder of the ECS Warranty Period.
 - (2) Any warranted part that is scheduled only for regular inspection as specified in the Owner's Manual shall be warranted for the ECS Warranty Period. A statement in the Owner's Manual to the effect of "repair or replace as necessary" shall not reduce the ECS Warranty Period. Any such part repaired or replaced under the ECS Warranty shall be warranted for the remainder of the ECS Warranty Period.
 - (3) Any warranted part that is scheduled for replacement as required maintenance in the Owner's Manual shall be warranted for the period of time prior to first scheduled replacement point for that part. If the part fails prior to the first scheduled replacement, the part shall be repaired or replaced by Generac according to Subsection (4) below. Any such emissions-related part repaired or replaced under the ECS warranty shall be warranted for the remainder of the period prior to the first scheduled replacement point for that part.
 - (4) Repair or replacement of any warranted, emissions-related part under this ECS Warranty shall be performed at no charge to the owner at a Generac Authorized Warranty Service Facility.
 - (5) Notwithstanding the provisions of subsection (4) above, warranty services or repairs must be provided at Generac Authorized Service Facilities.
 - (6) When the engine is inspected by a Generac Authorized Warranty Service Facility, the purchaser/owner shall not be held responsible for diagnostic costs if the repair is deemed warrantable.
 - (7) Throughout the ECS Warranty Period, Generac shall maintain a supply of warranted emission-related parts sufficient to meet the expected demand for such parts.
 - (8) Any Generac authorized and approved emission-related replacement parts may be used in the performance of any ECS warranty maintenance or repairs and will be provided without charge to the purchaser/owner. Such use shall not reduce Generac ECS Warranty obligations.
 - (9) Unapproved, add-on, modified, counterfeit and/or "grey market" parts may not be used to modify or repair a Generac engine. Such use voids this ECS Warranty and shall be sufficient grounds for disallowing an ECS Warranty claim. Generac shall not be held liable hereunder for failures of any warranted parts of Generac equipment caused by the use of such an unapproved, add-on, modified, counterfeit and/or "grey market" part.

EMISSION RELATED PARTS MAY INCLUDE THE FOLLOWING (IF EQUIPPED):

- 1) **FUEL SYSTEM**
 - A. FUEL TANK
 - B. FUEL CAP
 - C. FUEL LINE
 - D. FUEL LINE FITTINGS
 - E. CLAMPS*
 - F. PRESSURE RELIEF VALVES*
- 2) **EVAPORATIVE CONTROL SYSTEM**
 - A. CARBON CANISTER
 - B. CANISTER MOUNTING BRACKET
 - C. CARBURETOR PURGE PORT
 - D. CONTROL VALVES*
 - E. VAPOR HOSES
 - F. PURGE VALVES
 - G. LIQUID/VAPOR SEPARATOR
 - H. VACUUM CONTROL DIAPHRAGMS*
- 3) **FUEL METERING SYSTEM**
 - A. CARBURETOR AND INTERNAL PARTS
 - B. PRESSURE REGULATOR
- 4) **AIR INDUCTION SYSTEM**
 - A. INTAKE MANIFOLD
 - B. AIR FILTER
- 5) **IGNITION SYSTEM**
 - A. SPARK PLUGS
 - B. IGNITION COILS/MODULE
- 6) **AIR INJECTION SYSTEM**
 - A. PULSE AIR VALVE
- 7) **EXHAUST SYSTEM**
 - A. CATALYST
 - B. THERMAL REACTOR
 - C. EXHAUST MANIFOLD

*NOTE: As they relate to the Emission Control System.



Section 6 — Warranty

Portable Generator System

GENERAC POWER SYSTEMS "TWO YEAR" LIMITED WARRANTY FOR GP SERIES PORTABLE GENERATORS

For a period of two years from the date of original sale, Generac Power Systems, Inc. (Generac) warrants its GP Series generators will be free from defects in materials and workmanship for the items and period set forth below. Generac will, at its option, repair or replace any part which, upon examination, inspection and testing by Generac or a Generac Authorized Warranty Service Dealer, is found to be defective. Any equipment that the purchaser/owner claims to be defective must be returned to and examined by the nearest Generac Authorized Warranty Service Dealer. All transportation costs under the warranty, including return to the factory, are to be borne and prepaid by the purchaser/owner. This warranty applies only to Generac GP Series portable generators and is not transferable from original purchaser. Save your proof-of-purchase receipt. If you do not provide proof of the initial purchase date, the manufacturer's shipping date of the product will be used to determine the warranty period.

WARRANTY SCHEDULE

Consumer applications are warranted for two (2) years. Commercial and Rental applications are warranted for one (1) year or 1000 hours maximum, whichever comes first.

CONSUMER APPLICATION

YEARS ONE and TWO - 100% (one hundred percent) coverage on Labor and Part(s) listed (proof of purchase and maintenance is required):

- Engine- All Components
- Alternator- All Components

COMMERCIAL/RENTAL APPLICATION

YEAR ONE - 100% (one hundred percent) coverage on Labor and Part(s) listed (proof of purchase and maintenance is required):

- Engine- All Components
- Alternator- All Components

NOTE: For the purpose of this warranty "consumer use" means personal residential household or recreational use by original purchaser. This warranty does not apply to units used for Prime Power in place of utility where utility power service is present or where utility power service does not normally exist. Once a generator has experienced commercial or rental use, it shall thereafter be considered a non-consumer use generator for the purpose of this warranty.

All warranty expense allowances are subject to the conditions defined in Generac's Warranty Policies, Procedures and Flat Rate Manual.

THIS WARRANTY SHALL NOT APPLY TO THE FOLLOWING:

- Generac built portable generators built prior to May 2008.
- Generac portable generators that utilize non-Generac replacement parts.
- Costs of normal maintenance and adjustments.
- Failures caused by any contaminated fuels, oils or lack of proper oil levels.
- Repairs or diagnostics performed by individuals other than Guardian/Generac authorized dealers not authorized in writing by Generac Power Systems.
- Failures due, but not limited, to normal wear and tear, accident, misuse, abuse, negligence or improper use. As with all mechanical devices, the Generac engines need periodic part(s) service and replacement to perform as designed. This warranty will not cover repair when normal use has exhausted the life of a part(s) or engine.
- Failures caused by any external cause or act of God, such as collision, theft, vandalism, riot or wars, nuclear holocaust, fire, freezing, lightning, earth-quake, windstorm, hail, volcanic eruption, water or flood, tornado or hurricane.
- Damage related to rodent and/or insect infestation.
- Products that are modified or altered in a manner not authorized by Generac in writing.
- Any incidental, consequential or indirect damages caused by defects in materials or workmanship, or any delay in repair or replacement of the defective part(s).
- Failure due to misapplication.
- Telephone, cellular phone, facsimile, internet access or other communication expenses.
- Living or travel expenses of person(s) performing service, except as specifically included within the terms of a specific unit warranty period.
- Expenses related to "customer instruction" or troubleshooting where no manufacturing defect is found.
- Rental equipment used while warranty repairs are being performed.
- Overnight freight or special shipping costs for replacement part(s).
- Overtime, holiday or emergency labor.
- Starting batteries, fuses, light bulbs and engine fluids.

THIS WARRANTY IS IN PLACE OF ALL OTHER WARRANTIES, EXPRESSED OR IMPLIED. SPECIFICALLY, GENERAC MAKES NO OTHER WARRANTIES AS TO THE MERCHANTABILITY OR FITNESS FOR A PARTICULAR PURPOSE. Some states do not allow limitations on how long an implied warranty lasts, so the above limitation may not apply to you. GENERAC'S ONLY LIABILITY SHALL BE THE REPAIR OR REPLACEMENT OF PART(S) AS STATED ABOVE. IN NO EVENT SHALL GENERAC BE LIABLE FOR ANY INCIDENTAL OR CONSEQUENTIAL DAMAGES, EVEN IF SUCH DAMAGES ARE A DIRECT RESULT OF GENERAC'S NEGLIGENCE. Some states do not allow the exclusion or limitation of incidental or consequential damages, so the above limitation may not apply to you. This warranty gives you specific legal rights. You also have other rights from state to state.

GENERAC POWER SYSTEMS, INC.

P.O. BOX 8 • Waukesha, WI 53187

Ph: (888) GENERAC (436-3722) • Fax: (262) 544-4851

To locate the nearest Authorized Dealer visit our website www.generac.com

MODELO: 005789-0

Manual del propietario

- SEGURIDAD
- MONTAJE
- OPERACIÓN
- RESOLUCIÓN DE PROBLEMAS
- GARANTÍA



GARANTÍA
LIMITADA
3 AÑOS

ASISTENCIA DE CONCESIONARIOS
AUTORIZADOS:

www.generac.com
o
1-888-GENERAC

GENERAC®

Introducción.....	19	Sección 3 – Mantenimiento	27
Lea este manual completamente.....	19	3.1 Programa de mantenimiento	27
Reglas de seguridad.....	20	3.2 Especificaciones del producto	27
Índice de estándares	21	3.2.1 Especificaciones del generador	27
Sección 1 – Información general.....	22	3.2.2 Especificaciones del motor	27
1.1 Desembalaje	22	3.3 Recomendaciones generales.....	27
1.1.1 Caja de accesorios	22	3.3.1 Mantenimiento del generador	27
1.2 Montaje	22	3.3.2 Limpieza del generador	28
1.2.1 Montaje del juego de accesorios.....	22	3.3.3 Mantenimiento del motor	28
Sección 2 – Operación.....	22	3.3.4 Medición del nivel de aceite	28
2.1 Familiarícese con su generador	22	3.3.5 Cambio del aceite	28
2.2 Juegos de cables eléctricos y conectores.....	24	3.3.6 Reemplazo de la bujía.....	28
2.2.1 Receptáculo dúplex de 120 V de CA, 20 A.....	24	3.3.7 Malla amortiguadora de chispas	28
2.3 Cómo usar el generador	24	3.4 Mantenimiento del filtro de aire	29
2.3.1 Conexión a tierra del generador.....	24	3.5 Holgura de la válvula	29
2.3.2 Conexión de las cargas eléctricas	24	3.6 General	29
2.4 No sobrecargue el generador.....	24	3.7 Almacenamiento a largo plazo.....	29
2.5 Guía de referencia del vataje.....	25	3.8 Otras sugerencias para el almacenamiento.....	29
2.6 Antes de poner en marcha el generador	25	Sección 4 – Localización y resolución	
2.6.1 Adición de aceite del motor.....	25	de problemas.....	30
2.6.2 Adición de gasolina.....	25	4.1 Guía de localización y resolución de problemas.....	30
2.7 Arranque del motor	26	Sección 5 – Notas.....	31
2.8 Detención del motor	27	Sección 6 – Garantía	32
2.9 Sistema de apagado por bajo nivel de aceite	27		
2.9.1 Detección de bajo nivel de aceite	27		

INTRODUCCIÓN

Gracias por comprar este modelo de Generac Power Systems, Inc. Este modelo es un generador impulsado por motor, refrigerado por aire, compacto y de alto rendimiento diseñado para proporcionar energía eléctrica para operar cargas eléctricas donde no haya servicio público de electricidad o en reemplazo de la red eléctrica en caso de apagones.

LEA ESTE MANUAL COMPLETAMENTE

Si alguna parte de este manual no se entiende bien, póngase en contacto con el concesionario autorizado más cercano para conocer los procedimientos de arranque, operación y servicio.

A lo largo de esta publicación, y en lo que respecta a las etiquetas y calcomanías fijadas en el generador, los bloques de PELIGRO, ADVERTENCIA, CUIDADO Y NOTA se usan para alertar al personal sobre instrucciones especiales sobre una operación en particular que puede ser peligrosa si se ejecuta en forma incorrecta o sin cuidado. Obsérvelas con cuidado. Sus definiciones son como sigue:

—▲ PELIGRO ▲—

Luego de este encabezado, lea las instrucciones que, si no se siguen estrictamente, traerán como resultado daños personales serios, incluyendo la muerte y/o daños a la propiedad.

—▲ ADVERTENCIA ▲—

Luego de este encabezado, lea las instrucciones que, si no se siguen estrictamente, pueden traer como resultado daños personales serios y/o daños a la propiedad.

—▲ CUIDADO ▲—

Luego de este encabezado, lea las instrucciones que, si no se siguen estrictamente, podrían traer como resultado daños al equipo y/o a la propiedad.

NOTA:

Luego de este encabezado, lea las explicaciones que requieren especial énfasis.

Estas advertencias de seguridad no pueden eliminar los peligros que indican. El sentido común y un estricto cumplimiento de las instrucciones especiales cuando se realiza un servicio son esenciales para evitar accidentes.

Cuatro símbolos de seguridad usados comúnmente acompañan los bloques de PELIGRO, ADVERTENCIA y CUIDADO. El tipo de información que cada uno indica es como sigue:

▲ Este símbolo señala importante información de seguridad que, si no se sigue, puede poner en peligro la seguridad personal y/o las propiedades de otros.

▲ Este símbolo indica un peligro potencial de explosión.

▲ Este símbolo indica un peligro potencial de incendio.

▲ Este símbolo indica un peligro potencial de descarga eléctrica.

El operador es responsable del uso apropiado y seguro de este equipo. Recomendamos encarecidamente que el operador lea este manual y entienda completamente todas las instrucciones antes de usar este equipo.

Asimismo recomendamos con igual firmeza el instruir a otros usuarios para arrancar y operar apropiadamente la unidad. Esto los prepara si necesitan operar el equipo en alguna emergencia.

—▲ PELIGRO ▲—

▲ Si usa un generador en interiores, MORIRÁ EN POCOS MINUTOS. El escape contiene monóxido de carbono, un gas venenoso que no se ve ni huele a nada.

▲ NUNCA lo use en el hogar ni en áreas parcialmente encerradas como los garajes. Úselo SOLO en exteriores y lejos de ventanas abiertas, puertas, ductos de ventilación y en áreas que no acumularán el mortal gas del escape.



—▲ ADVERTENCIA ▲—

▲ Siempre desconecte el cable de la bujía y coloque el cable donde no pueda tener contacto con la bujía para evitar un arranque accidental al configurar, transportar, ajustar o hacer reparaciones en el generador.

- El generador produce un voltaje peligrosamente alto que puede causar descargas eléctricas extremadamente peligrosas. Evite el contacto con cables pelados, terminales, etc. Nunca permita que personas no calificadas operen o den servicio al generador.
- Nunca manipule ningún cable eléctrico ni dispositivo mientras esté de pie sobre agua, con los pies descalzos o con las manos o pies húmedos. Puede ocasionarse una descarga eléctrica peligrosa.
- El Código Eléctrico Nacional requiere que el marco y las partes externas que son conductores eléctricos estén conectadas en forma apropiada a una conexión a tierra aprobada. Los códigos eléctricos locales pueden asimismo requerir una apropiada conexión a tierra del generador. Consulte con un electricista local los requerimientos de conexión a tierra para su área.
- Use un circuito interruptor de falla de tierra en cualquier área húmeda o altamente conductiva (como estanterías de metal o trabajos en acero).
- No use cables eléctricos gastados, pelados, deshilachados o de algún modo dañados con el generador.
- Opere el generador sólo en superficies planas y donde no esté expuesto a excesiva humedad, suciedad, polvo o vapores corrosivos.
- La gasolina es altamente INFLAMABLE y sus vapores son EXPLOSIVOS. No permita que fumen, haga fuegos abiertos, chispas o calor en la vecindad mientras manipula gasolina. Evite derramar gasolina sobre un motor caliente. Cumpla todas las leyes que regulan el almacenamiento y manipulación de gasolina.
- ▲ No sobrecargue el tanque de combustible. Deje siempre espacio para la expansión del combustible. Si el tanque está sobrecargado, el combustible puede desparramarse sobre el motor caliente y causar un INCENDIO o una EXPLOSIÓN. Nunca añada gasolina mientras la unidad está funcionando o está caliente. Deje enfriar al motor completamente antes de añadir combustible.



INSTRUCCIONES DE SEGURIDAD IMPORTANTES

Sistema de generador portátil

⚠ GUARDE ESTAS INSTRUCCIONES – El fabricante sugiere que estas reglas para la operación segura se copien y publiquen cerca del sitio de instalación de la unidad. Dbe insistirse en la seguridad de todos los operadores y potenciales operadores de este equipo

⚠ PELIGRO ⚠

⚠ Nunca almacene el generador con combustible en el tanque donde los vapores de la gasolina pueden alcanzar llamas abiertas, chispas o fuegos piloto (como en una chimenea, calentador de agua o secador de ropa). Puede generarse un INCENDIO o una EXPLOSIÓN.

⚠ Los gases del escape del generador contienen gases MORTALES de monóxido de carbono. Este gas peligroso, si se aspira en concentraciones suficientes, puede hacerle perder la conciencia y causarle la muerte. Opere este equipo sólo en lugares abiertos donde haya adecuada ventilación.

⚠ NUNCA opere el generador en interiores, en un garaje, cerca de una ventana abierta o en un área que pueda acumular gases del escape.

⚠ Deje al menos cinco (5) pies de claridad, o más, a todos los lados del generador o se puede dañar la unidad. Nunca opere la unidad dentro de cuarto o recinto cerrado alguno.

- Nunca arranque o detenga la unidad con cargas eléctricas conectadas a las tomas Y con dispositivos conectados y encendidos. Arranque el motor y deje que se establezca antes de conectar las cargas eléctricas. Desconecte todas las cargas eléctricas antes de apagar el generador.
- No inserte objetos a través de las ranuras de enfriamiento de la unidad.
- Nunca opere el generador: en la lluvia, interiores o en cualquier compartimiento cerrado; en la lluvia; si los dispositivos eléctricos conectados sobrecalientan; si la salida eléctrica se ha perdido; si el motor o el generador produce chispas; si se observa llamas o humo mientras la unidad está funcionando; si la unidad vibra en exceso.
- Instale una alarma de monóxido de carbono operada con baterías en los interiores, de acuerdo a las recomendaciones e instrucciones del fabricante.

⚠ ADVERTENCIA: ⚠

Los gases de escape del motor de este producto contienen sustancias químicas conocidas en el estado de California por causar cáncer, defectos congénitos y otros daños en el sistema reproductivo.

⚠ ADVERTENCIA: ⚠

Este producto contiene o emite sustancias químicas reconocidas por el Estado de California como causantes de cáncer, defectos congénitos u otros daños en el sistema reproductivo.

NOTA:

Este generador está equipado con un silenciador de supresor de chispa. El dueño o el operador deben mantener el supresor de chispa en correcto estado de funcionamiento. En el Estado de California, se requiere por ley un supresor de chispa (Sección 4442 del Código de Recursos Públicos de California). Otros estados pueden tener leyes similares. Las leyes federales se aplican en terrenos federales.

Estudie estas **REGLAS DE SEGURIDAD** con cuidado antes de instalar, operar o dar servicio a este equipo. Familiarícese con este manual y con la unidad. El generador puede operar en forma segura, eficiente y confiable sólo si se le instala, se le opera y mantiene en forma apropiada. Muchos accidentes son causados por no seguir reglas o precauciones simples y fundamentales.

El fabricante no puede anticipar todas las posibles circunstancias que puedan involucrar peligros. Las advertencias en este manual y en las etiquetas y calcomanías fijadas en la unidad son, por tanto, no completamente inclusivas. Si se usa un procedimiento, método de trabajo o técnica de operación que el fabricante no recomienda específicamente, asegúrese de que sea seguro para los demás. Asimismo asegúrese que el procedimiento, método de trabajo o técnica de operación utilizada no vuelva inseguro al generador.

⚠ PELIGRO ⚠

⚠ A despecho del muy seguro diseño de este generador, el operar este equipo en forma imprudente, con deficiente mantenimiento o en forma descuidada, puede causar posibles daños o la muerte. Permita sólo que personas responsables y capaces operen y den mantenimiento a este equipo.

⚠ Estas máquinas generan voltajes potencialmente letales. Asegúrese de que se haya tomado todos los pasos para hacer la máquina segura antes de intentar trabajar en el generador.

⚠ Partes del generador están girando y/o calientes durante la operación. Tenga mucho cuidado en las cercanías de los generadores en funcionamiento. No toque las superficies calientes como el silenciador. Puede haber severas quemaduras en el contacto. Deje que enfríe el generador antes de tocarlo.

⚠ PELIGROS GENERALES ⚠

- Nunca opere en áreas cerradas o interiores.
- Por razones de seguridad, el fabricante recomienda que el mantenimiento de este equipo sea llevado a cabo por un concesionario autorizado.
- Los humos del escape del motor contienen monóxido de carbono, que puede ser MORTAL. Este gas peligroso, si se aspira en concentraciones suficientes, puede hacerle perder la conciencia y causarle la muerte. Este sistema de escape debe tener un apropiado mantenimiento. No haga nada que pueda poner en peligro la seguridad del escape o que no cumpla con algún código local o estándar.



- Mantenga las manos, pies, ropa, etc. lejos de las correas de tracción, ventiladores y otras partes móviles o calientes. Nunca retire ninguna protección de ventilador mientras la unidad esté operando.
- El flujo adecuado y sin obstrucciones de aire para ventilación y refrigeración es crítico para la correcta operación del generador. No altere la instalación ni permita que haya siquiera un bloqueo parcial de la provisión de ventilación, ya que esto puede afectar seriamente la operación segura del generador. El generador DEBE ser operado en exteriores.
- Al trabajar con este equipo, manténgase alerta en todo momento. Nunca trabaje en el equipo cuando esté física o mentalmente fatigado.
- Inspeccione el generador con regularidad, y póngase en contacto con el concesionario autorizado más cercano si necesita repararlo o conseguir repuestos.
- Antes de realizar cualquier mantenimiento al generador, desconecte los cables de su batería para evitar un arranque accidental. Desconecte primero el cable del borne de la batería indicado como NEGATIVO, NEG; o (-). Reconecte ese cable al final.
- Nunca use el generador ni alguna de sus partes como escalón. Pararse sobre la unidad puede tensar y romper partes, y puede traer como resultado condiciones peligrosas de operación como escape de gases, combustible o aceite.
- NO opere el generador en la lluvia.

PELIGROS ELÉCTRICOS

- Todos los generadores cubiertos por este manual producen voltajes eléctricos peligrosos y pueden causar descargas eléctricas fatales. El servicio eléctrico doméstico entrega voltajes altos y peligrosos como lo hace el generador cuando está en operación. Evite el contacto con cables pelados, terminales conexiones, etc. mientras la unidad está funcionando. Asegúrese que todas las cubiertas, protecciones y barreras apropiadas se encuentren en su lugar antes de operar el generador. Si es necesario trabajar alrededor de una unidad en operación, párese sobre una superficie seca y aislada para reducir el peligro de choque eléctrico.
- No manipule ningún tipo de dispositivo eléctrico mientras esté de pie sobre agua, con los pies descalzos o con las manos o pies húmedos. **PUEDA HABER UNA DESCARGA ELÉCTRICA COMO RESULTADO.**
- El Código Eléctrico Nacional (NEC) requiere que el marco y las partes externas que son conductores eléctricos estén conectadas a una conexión a tierra aprobada. Los códigos eléctricos locales pueden asimismo requerir una apropiada conexión a tierra del sistema eléctrico del generador.
- En caso de un accidente causado por descarga eléctrica, apague inmediatamente la fuente de energía eléctrica. Si esto no es posible, intente liberar a la víctima del conductor vivo. **EVITE EL CONTACTO DIRECTO CON LA VÍCTIMA.** Une un implemento no conductor, como una soga o una tabla, para liberar a la víctima del conductor vivo. Si la víctima está inconsciente, aplique los primeros auxilios y consiga ayuda médica inmediatamente.
- Nunca use joyas al trabajar con este equipo. Las joyas pueden conducir electricidad y traer como resultado una descarga eléctrica, o puede quedar atrapada en los componentes móviles.

PELIGRO DE INCENDIO

- Para mayor seguridad contra incendios, el generador debe operarse y mantenerse en forma apropiada. La operación debe siempre cumplir con los códigos, estándares, leyes y regulaciones aplicables. Adhiérase estrictamente a los códigos nacionales, estatales y locales de electricidad y construcción. Cumpla con las regulaciones que la Administración de salud y seguridad ocupacional (OSHA) ha establecido. Asimismo asegúrese de que el generador sea operado de acuerdo con las instrucciones y recomendaciones del fabricante. No altere la construcción del generador ni cambie los controles de modo que puedan crear una condición de operación no segura.
- Tenga un extinguidor cerca al generador en todo momento. Los extinguidores marcados "ABC" por la Asociación nacional de protección contra incendios son los apropiados para usarse en los sistemas eléctricos de emergencia. Mantenga el extinguidor apropiadamente cargado y familiarícese con su uso. Si hubiera alguna pregunta respecto a los extinguidores, consulte a su departamento local de bomberos.
- La gasolina es extremadamente INFLAMABLE. Nunca añada gasolina mientras la unidad está funcionando o está caliente. Deje enfriar la unidad y el motor completamente antes de añadir combustible. No sobrecargue el tanque de combustible. Deje espacio para la expansión del combustible. Limpie los derrames de combustible inmediatamente. Si el tanque está muy lleno, el combustible puede caer sobre el motor caliente y causar un INCENDIO. Nunca llene el tanque de combustible en el interior de la casa.

PELIGRO DE EXPLOSIÓN

- No fume alrededor del generador. Limpie cualquier derrame de combustible o aceite inmediatamente. Asegúrese de que no haya dejado materiales combustible en la cercanía del generador, ya que pueden causar INCENDIOS y/o EXPLOSIONES. Mantenga el área circundante del generador limpia y libre de desperdicios.
- La gasolina es extremadamente EXPLOSIVA.

ÍNDICE DE ESTÁNDARES

En ausencia de los estándares, códigos, regulaciones o leyes pertinentes, la información publicada listada abajo puede usarse como guía para la operación de este equipo. Siempre consulte la revisión más reciente aplicable para el estándar listado.

1. NFPA No. 70, NFPA HANDBOOK OF NATIONAL ELECTRIC CODE.
2. Article X, NATIONAL BUILDING CODE, disponible en la American Insurance Association, 85 John Street, New York, N.Y. 10038.
3. AGRICULTURAL WIRING HANDBOOK, disponible en la Food and Energy Council, 909 University Avenue, Columbia, MO 65201.
4. ASAE EP-3634, INSTALLATION AND MAINTENANCE OF FARM STANDBY ELECTRICAL SYSTEMS, disponible en la American Society of Agricultural Engineers, 2950 Niles Road, St. Joseph, MI 49085.
5. NFPA No. 30, FLAMMABLE AND COMBUSTIBLE LIQUIDS CODE.

1.1 DESEMBALAJE

- Quite todo el material de embalaje.
- Retire la caja de accesorios que viene por separado.
- Retire el generador de la caja.

1.1.1 CAJA DE ACCESORIOS

Revise todo el contenido. Si falta alguna pieza o encuentra alguna dañada, llame al teléfono 1-888-436-3722 para encontrar un concesionario autorizado.

- 1 - Manual del propietario
- 1- Aceite tipo SAE 30
- 2 - Ruedas de 7"
- 1 - Conjunto de la manija
- 1 - Abrazadera de la manija
- 1 - Eje
- 1 - Bolsa con piezas (incluye lo siguiente):

2 - Soportes de goma	7 - Tuercas tapón M6
2 - Abrazaderas de soporte	2 - Cubo
2 - Ruedas	7 - Pernos tapón M6-1 x 40
2 - Arandelas planas M12	

1.2 MONTAJE

El generador requiere cierto montaje antes de poder usarlo. Si surgen problemas durante dicho montaje, llame a la línea telefónica de ayuda sobre generadores: 1-888-436-3722.

1.2.1 MONTAJE DEL JUEGO DE ACCESORIOS

Las ruedas están diseñadas para mejorar en gran medida la facilidad de transporte del generador.

NOTA:

Las ruedas no son para uso en carretera.

1. Consulte la Figura 1 para instalar las ruedas como se indica.
 - Deslice el eje pro los saportes del marco.
 - Deslice el cubo, la rueda y la arandela plana, y luego instale la chaveta de retén en el orificio del eje de las ruedas.
 - Doble hacia afuera las orejetas de la chaveta de retén para fijarla en su lugar.
2. Consulte la Figura 1 para instalar los soportes como se muestra.
 - Inserte un perno M6 a través del soporte de goma y de la parte inferior de la abrazadera de soporte. Asegure el perno con una tuerca tapón M6.
 - Instale un perno M6 a través del bastidor del generador y de la parte superior de la abrazadera de soporte. Asegure el perno con una tuerca tapón M6.
3. Consulte la Figure 2 para instalar el conjunto de la manija como se muestra.
 - Inserte la abrazadera de la manija en el bastidor del generador y asegúrela con dos pernos M6 y dos tuercas tapón M6.
 - Alinee los orificios del conjunto de la manija con los orificios de la abrazadera de la manija y asegúrelos con un perno M6 y una tuerca tapón M6.

Figura 1 – Ensamblaje de las ruedas

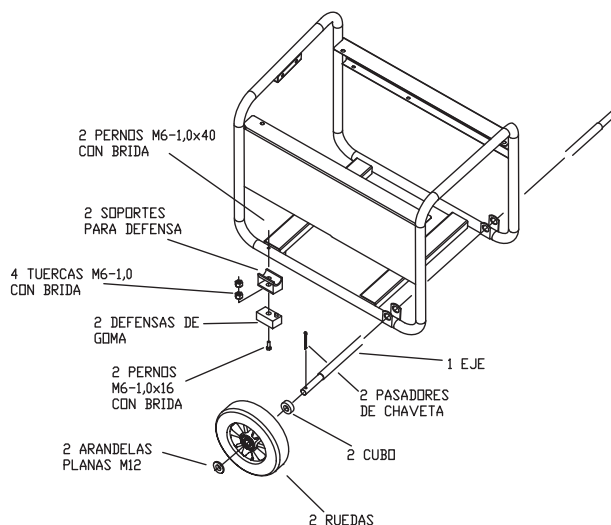
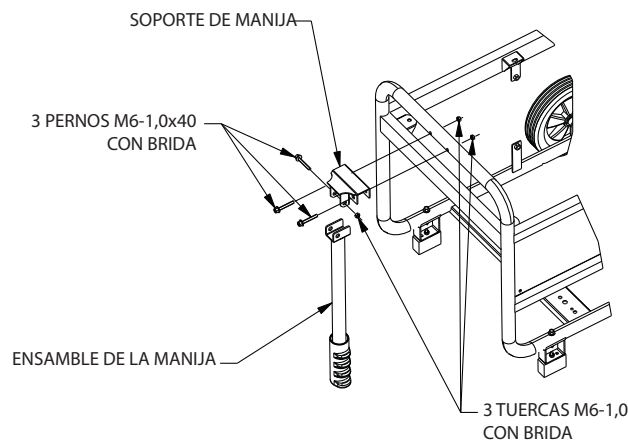


Figura 2 – Kit de manija

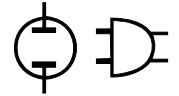


2.1 FAMILIARÍCESE CON SU GENERADOR

Lea el Manual del Propietario y las Reglas de Seguridad antes de operar este generador.

Compare el generador con las Figuras 3 a 5 para familiarizarse con la ubicación de los distintos controles y ajustes. Guarde este material para referencia futura.

1. **Receptáculo dúplex de 120 V de CA, 20 A** – Suministra alimentación eléctrica para la operación de dispositivos de alumbrado eléctrico, electrodomésticos, herramientas y cargas de motor de 120 V de CA, 20 A, monofásicos y de 60 Hz.
2. **Interruptores de circuito (AC)** –Cada receptáculo está provisto con un interruptor de circuito de presionar para reiniciar de 13.5A con el fin de proteger al generador contra sobrecargas eléctricas.
3. **Filtro de aire** – Filtra aire de entrada cuando es aspirado hacia el motor.
4. **Perilla del cebador** – Se usa para poner en marcha un motor frío.



5. **Tanque de combustible** – El tanque tiene capacidad para 4 galones americanos de combustible.
6. **Orejeta de conexión a tierra** – Conecta el generador a una tierra apropiada. Vea los detalles en la sección "Conexión a tierra del generador".
7. **Conmutador de inicio/parada** – Controla la operación del generador.
8. **Silenciador** – Atenúa el ruido del motor.
9. **Manija**– Gira y se retrae para su almacenamiento.
10. **Tapa del tanque** – Lugar para poner el combustible.
11. **Indicador de combustible** – Muestra el nivel de combustible en el tanque.
12. **Revisión y llenado de aceite**– Revise y vierta el aceite aquí.
13. **Arranque manual** – Su usa para poner en marcha manualmente el motor.
14. **Llave de corte de combustible** – Válvula entre el tanque del combustible y el carburador.
15. **Tapón de drenaje del aceite** – Se usa para drenar el aceite del motor.
16. **Supresor de chispas** – Contiene las chispas para reducir el riesgo de incendio.
17. **Válvula de grio** – Pasa los vapores del combustible a bote de Carbón.
18. **Bote de Carbón** – Absorbe los vapores del tanque de combustible.
19. **Manguera e recuperación** – Instalada entre los ítems 17 y 18.

Figura 5 - Controles del generador



Figura 3 - Panel de control

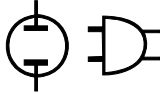


Figura 6 - Controles del generador



Figura 4 - Controles del generador





2.2 JUEGOS DE CABLES ELÉCTRICOS Y CONECTORES

2.2.1 RECEPTÁCULO DÚPLEX DE 120 V DE CA, 20 A

Este receptáculo es un tomacorriente de 120 V protegido contra sobrecargas por un disyuntor de restablecimiento por presión de 13.5 A (Figura 3). Cada receptáculo puede alimentarse con 13.5 A de corriente, pero la alimentación total debe mantenerse dentro de los límites establecidos en la placa de datos. Use sólo juegos de cables eléctricos de tres hilos, conectados a tierra, bien aislados, de alta calidad, clasificados para 125 V a 20 A (o más).

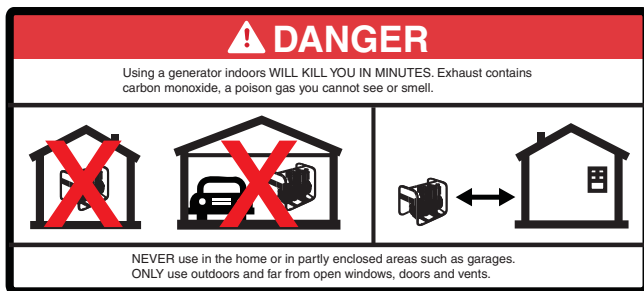
2.3 CÓMO USAR EL GENERADOR

Si tiene algún problema al operar el generador, por favor llame a la línea telefónica de ayuda sobre generadores, 1-888-436-3722.



⚠ Si usa un generador en interiores, **MORIRÁ EN POCOS MINUTOS**. El escape contiene monóxido de carbono, un gas venenoso que no se ve ni huele a nada.

⚠ **NUNCA** lo use en el hogar ni en áreas parcialmente encerradas como los garajes. Úselo **SÓLO** en exteriores y lejos de ventanas abiertas, puertas, ductos de ventilación y en áreas que no acumularán el mortal gas del escape.



2.3.1 CONEXIÓN A TIERRA DEL GENERADOR

El Código Eléctrico Nacional requiere que el bastidor y las piezas externas eléctricamente conductoras de este generador se conecten a una conexión a tierra aprobada (Figura 7). Los códigos eléctricos locales también pueden requerir la adecuada conexión a tierra de la unidad. Con ese objetivo, la conexión de un cable de cobre No. 10 AWG (American Wire Gauge) a la orejeta de conexión a tierra y a una barra de conexión a tierra de cobre o de bronce (electrodo) proporciona una conexión adecuada contra las descargas eléctricas. Sin embargo, los códigos locales pueden variar. **Consulte con un electricista local para averiguar cuáles son los requisitos en su área.**

La conexión a tierra adecuada del generador ayudará a evitar descargas eléctricas en el caso de que exista una condición de falla a tierra en el generador o en los dispositivos eléctricos conectados. Una buena conexión a tierra también ayuda a disipar la electricidad estática, la cual se acumula frecuentemente en dispositivos no conectados a tierra.

Figura 7 - Conexión a tierra del generador



2.3.2 CONEXIÓN DE LAS CARGAS ELÉCTRICAS

NO conecte cargas de 240 V en receptáculos de 120 V. **NO** conecte cargas trifásicas en el generador. **NO** conecte cargas de 50 Hz en el generador.

- Deje que el motor se estabilice y caliente durante unos minutos después de que arranque.
- Enchufe y encienda las cargas eléctricas monofásicas de 120 o de 240 V de CA de 60 Hz deseadas.
- Sume los vatios (o amperios) nominales de todas las cargas que se van a conectar al mismo tiempo. Este total no debe ser mayor que (a) la capacidad nominal en vatios/amperios del generador o (b) la capacidad nominal del disyuntor del receptáculo que suministra la potencia. Consulte la sección "No sobrecargue el generador".

2.4 NO SOBRECARGUE EL GENERADOR

Cuando un generador se carga superando su capacidad nominal en vatios pueden causarse daños al generador y a los dispositivos eléctricos conectados. Siga estas instrucciones para evitar la sobrecarga de la unidad:

- Sume el vataje total de todos los dispositivos eléctricos que se van a conectar a la vez. Este total **NO** debe exceder la capacidad del generador en vatios.
 - El vataje nominal de las lámparas se puede tomar de las bombillas. El vataje nominal de las herramientas, electrodomésticos y motores usualmente se puede encontrar en la etiqueta de datos o en la calcomanía pegada en el dispositivo.
 - Si el electrodoméstico, la herramienta o el motor no tiene el vataje, multiplique los voltios por la clasificación nominal en amperios para determinar los vatios (voltios x amperios = vatios).
 - Algunos motores eléctricos, como los de inducción, requieren aproximadamente tres veces más vataje de potencia para ponerse en marcha que para funcionar. Esta sobretensión sólo dura unos segundos cuando se arrancan tales motores. Asegúrese de permitir un alto vataje de arranque cuando seleccione los dispositivos eléctricos que va a conectar al generador.
1. Calcule los vatios necesarios para poner en marcha el motor de mayor tamaño.
 2. Sume a esa cifra los vatios de operación de todas las demás cargas conectadas.

Se proporciona una guía de referencia de vataje para ayudarle a determinar el número de artículos que el generador puede alimentar a la vez.



NOTA:

Todas las cifras son aproximadas. Consulte la etiqueta de datos del electrodoméstico para ver los vatios requeridos.

2.5 GUÍA DE REFERENCIA DEL VATAJE

Dispositivo	Vataje de operación
*Unidad de acondicionamiento de aire (12,000 Btu)	1700
*Unidad de acondicionamiento de aire (24,000 Btu)	3800
*Unidad de acondicionamiento de aire (40,000 Btu)	6000
Cargador de batería (20 A)	500
Lijadora de correa (3")	1000
Sierra de cadena	1200
Sierra circular (6-1/2")	800 a 1000
*Secadora de ropa (eléctrica)	5750
*Secadora de ropa (a gas)	700
*Lavadora de ropa	1150
Cafetera	1750
*Compresor (1 HP)	2000
*Compresor (3/4 HP)	1800
*Compresor (1/2 HP)	1400
Tenazas para el pelo	700
*Deshumidificador	650
Lijadora de disco (9")	1200
Recortadora de césped	500
Manta eléctrica	400
Pistola eléctrica de clavos	1200
Estufa eléctrica (por elemento)	1500
Cacerola eléctrica	1250
*Congelador	700
*Ventilador de horno (3/5 HP)	875
*Abridor de la puerta de la cochera	500 a 750
Secador de pelo	1200
Taladro portátil	250 a 1100
Recortadora de césped	450
Taladro percutor	500
Plancha	1200
*Bomba de chorro	800
Podadora	1200
Bombilla eléctrica	100
Horno de microondas	700 a 1000
*Enfriador de leche	1100
Quemador de aceite en la caldera	300
Radiador de aceite (140,000 Btu)	400
Radiador de aceite (85,000 Btu)	225
Radiador de aceite (30,000 Btu)	150
*Rociador de pintura sin aire (1/3 HP)	600
Rociador de pintura sin aire (portátil)	150
Radio	50 a 200
*Refrigerador	700
Cacerola de cocimiento lento	200
*Bomba sumergible (1-1/2 HP)	2800
*Bomba sumergible (1 HP)	2000
*Bomba sumergible (1/2 HP)	1500
*Bomba de sumidero	800 a 1050
*Sierra de mesa (10")	1750 a 2000
Televisor	200 a 500
Tostadora	1000 a 1650
Cortador de hierbas	500

* Permita tres veces el vataje listado para poner en marcha estos dispositivos.

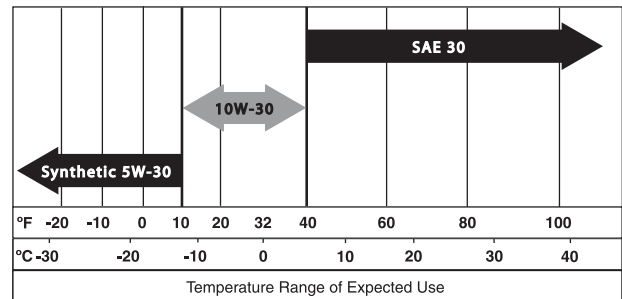
2.6 ANTES DE PONER EN MARCHA EL GENERADOR

Antes de operar el generador se debe añadir aceite de motor y gasolina, de la siguiente manera:

2.6.1 ADICIÓN DE ACEITE DEL MOTOR

Todo el aceite debe cumplir como mínimo con la clase de servicio SJ, SL o mejor, del American Petroleum Institute (API). No use aditivos especiales. Seleccione el grado de viscosidad del aceite de acuerdo con la temperatura de operación esperada (consulte también la tabla).

- Cuando la temperatura sea superior a 40 °F, use aceite SAE 30
- Cuando la temperatura esté entre 40 °F y 10 °F, use aceite 10W-30
- Cuando la temperatura sea inferior a 10 °F, use aceite sintético 5W-30



PRECAUCIÓN

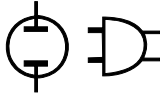
⚠ **Todo intento de iniciar o poner en marcha el motor antes de hacerle un mantenimiento apropiado con el aceite recomendado puede provocar un fallo del motor.**

- Coloque el generador sobre una superficie nivelada.
- Limpie el área circundante al orificio de llenado y quite al tapa del orificio y la varilla de medición de aceite.
- Limpie la varilla de medición de aceite.
- Llene lentamente el motor con aceite a través de la abertura del conducto para aceite hasta que alcance la marca de lleno en las roscas de la varilla medidora. Ocasionalmente deje de llenar para revisar el nivel de aceit. **Tenga cuidado de no llenar demasiado.**
- Instale la tapa del orificio de llenado de aceite y apriétela con los dedos firmemente.
- A partir de aquí, revise el nivel de aceite antes de cada arranque.

2.6.2 ADICIÓN DE GASOLINA

PELIGRO

⚠ **Nunca llene el tanque de combustible en interiores. Nunca llene el tanque de combustible cuando el motor esté funcionando o cuando esté caliente. Permita que el motor se enfríe totalmente antes de llenar el tanque de combustible. Evite derramar la gasolina sobre el motor CALIENTE. NO encienda un cigarrillo ni fume al llenar el tanque de combustible. La gasolina es altamente INFLAMABLE y sus vapores son EXPLOSIVOS.**

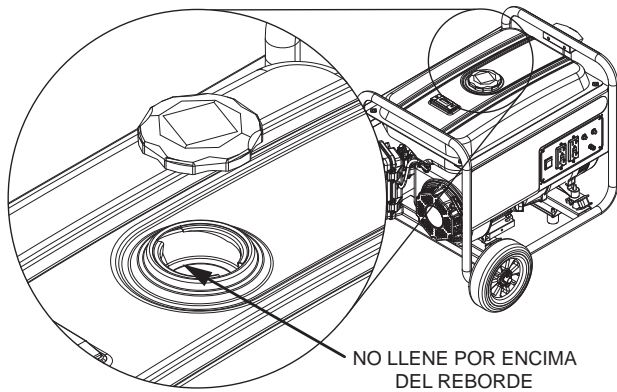


PRECAUCIÓN

⚠ No llene excesivamente el tanque de combustible.. Siempre deje espacio para la expansión del combustible. Si el tanque está demasiado lleno, el combustible se puede derramar sobre un motor CALIENTE y causar un INCENDIO o una EXPLOSIÓN.

- Utilice gasolina regular SIN PLOMO con el motor del generador. No utilice ningún tipo de gasolina que tenga más de 10% de Etanol añadido y nunca utilice gasolina E85. No mezcle aceite con gasolina.
- Limpie el área alrededor de la tapa de llenado de combustible y quite la tapa.
- Añada lentamente gasolina regular sin plomo al tanque de combustible. Llene hasta el fondo del filtro de malla. **Tenga cuidado de no llenar excesivamente** (Figura 8).
- Instale la tapa de combustible y limpie cualquier derrame de gasolina.

Figura 8 - Tanque de combustible



IMPORTANTE: Es importante evitar la formación de depósitos de goma en las piezas del sistema de combustible, tales como en el carburador, la manguera de combustible o el tanque durante el almacenamiento. Los combustibles mezclados con alcohol (llamados gasohol, etanol o metanol) pueden atraer humedad, que provoca la separación y la formación de ácidos durante el almacenamiento. El gas ácido puede dañar el sistema de combustible de un motor en almacenamiento. Para evitar problemas con el motor, el sistema de combustible se debe vaciar antes de almacenar el motor durante 30 días o más. Consulte la sección "Almacenamiento". Nunca use productos para la limpieza del motor o del carburador en el tanque de combustible pues lo podría dañar de manera permanente.

2.7 ARRANQUE DEL MOTOR

ADVERTENCIA

⚠ Nunca arranque ni detenga el motor cuando haya dispositivos eléctricos enchufados en los receptáculos Y los dispositivos estén encendidos.

- Desenchufe todas las cargas eléctricas de los receptáculos de la unidad antes de poner en marcha el motor.
- Asegúrese de que la unidad se encuentre en una posición nivelada.
- Gire la válvula de cierre de combustible a la posición ON (figura 9).
- Ponga el conmutador ON/OFF en posición ON (encendido) (Figura 10).

- Coloque la perilla del CEBADOR del motor en la posición START (arranque) (Figura 10).
- Para poner en marcha el motor, sujete con firmeza la manija del arranque manual y tire lentamente hasta sentir una resistencia mayor. Tire con rapidez y hacia afuera.

Figura 9 - Válvula de cierre de combustible



- Cuando el motor arranque, coloque la perilla del cebador en la posición 1/2-CHOKE (cebado medio) hasta que el motor funcione suavemente y luego totalmente hasta la posición RUN (funcionamiento). Si el motor vacila, mueva la perilla de cebado otra vez a la posición 1/2-CHOKE (cebado medio) hasta que el motor funcione suavemente, y luego coloque la perilla en la posición RUN (funcionamiento).

Figura 10 - Posición de cebado



NOTA:

Si el motor arranca pero no sigue funcionando, mueva la perilla de cebado hasta la posición START (arranque) y repita las instrucciones de arranque.



IMPORTANTE: No sobrecargue el generador. Tampoco sobrecargue los receptáculos individuales del panel. Estos tomacorrientes están protegidos contra sobrecargas con disyuntores del tipo de restablecimiento por presión. Si se excede la capacidad nominal en amperios de cualquier disyuntor, éste se abrirá y se perderá la salida eléctrica a ese receptáculo. Lea detenidamente la sección "No sobrecargue el generador".

2.8 DETENCIÓN DEL MOTOR

- Apague todas las cargas, luego desenchufe las cargas eléctricas de los receptáculos del panel del generador. Nunca arranque ni detenga el motor cuando haya dispositivos eléctricos enchufados y encendidos.
- Deje que el motor funcione sin carga durante varios minutos para estabilizar las temperaturas internas del motor y del generador.
- Mueva el conmutador ON/OFF a la posición OFF (Apagado).
- Cierre la válvula de combustible.

2.9 SISTEMA DE APAGADO POR BAJO NIVEL DE ACEITE

El motor está equipado con un sensor de bajo nivel de aceite que apaga el motor automáticamente cuando el nivel del aceite cae por debajo de un nivel especificado. Si el motor se apaga por sí solo y el tanque tiene suficiente gasolina, revise el nivel de aceite del motor.

2.9.1 DETECCIÓN DE BAJO NIVEL DE ACEITE

Si el sistema detecta un nivel de aceite bajo durante la operación, el motor se apaga. El motor no funcionará hasta que se llene el aceite hasta el nivel correcto.

3.1 PROGRAMA DE MANTENIMIENTO

Siga los intervalos marcados en el calendario. El mantenimiento debe ser más frecuente cuando se opera en las condiciones adversas indicadas más abajo

Revise el nivel de aceite	Antes de cada uso	
Cambie el aceite	+	*Cada temporada
Revise la holgura de la válvula		***Cada temporada
Mantenimiento del filtro de aire		**Cada temporada
Reemplace la bujía	Cada temporada	

- + Cambie el aceite luego de las primeras 20 horas de operación y luego en cada cambio de estación.
- * Cambie el aceite cada mes si opera bajo condiciones pesadas de carga o altas temperaturas.
- ** Limpie con más frecuencia bajo condiciones de operación sucias o con polvo. Reemplace los componentes del filtro de aire si no puede limpiarlos correctamente.
- *** Revise el espacio de la válvula y ajústelo si es necesario después de las primeras 50 horas de operación y posteriormente cada 100 horas.

3.2 ESPECIFICACIONES DEL PRODUCTO

3.2.1 ESPECIFICACIONES DEL GENERADOR

Potencia nominal	3.25 kW
Potencia de sobretensión	3.75 kW
Voltaje CA nominal	120/240
Corriente nominal	27 A**
Frecuencia nominal	60 Hz a 3600 RPM
Fase	Monofásico

** El vataje máximo depende y está limitado por factores como el contenido de Btu del combustible, la temperatura ambiente, la altitud, el estado del motor, etc. La potencia máxima disminuye alrededor del 3.5% por cada 1,000 pies sobre el nivel del mar; y también disminuye alrededor del 1% por cada 6° C (10° F) que la temperatura ambiente está por encima de 16° C (60° F).

3.2.2 ESPECIFICACIONES DEL MOTOR

Desplazamiento	208 cc
Tipo de bujía	F6TC o NGK BPR4ES
Separación entre los electrodos de la bujía	0.028-0.031 de pulgada o (0.70-0.80 mm)
Capacidad para gasolina	16 L (0.634 cuartos)
Tipo de aceite	Consulte la tabla en la sección "Antes de poner en marcha el generador"

Capacidad para aceite..... 0.6 L (0.634 cuartos)
Tiempo de funcionamiento 12.5 horas a 1/2 carga
Certificado de emisión clase II*

* El fabricante del motor debe garantizar el sistema de control de emisiones durante un período de dos años. La cobertura de esta garantía es adicional a la proporcionada por Generac, y puede cubrir el motor aun si la garantía de Generac no lo hace.

3.3 RECOMENDACIONES GENERALES

La garantía del generador no cubre artículos que han sido sometidos a abuso o negligencia por parte del operador. Para recibir el valor total de la garantía, el operador debe mantener el generador de acuerdo con las instrucciones de este manual.

Será necesario hacer algunos ajustes periódicamente para mantener adecuadamente el generador.

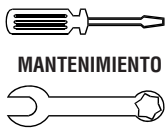
Todos los ajustes indicados en la sección Mantenimiento de este manual se deben hacer al menos una vez por temporada. Cumpla con los requisitos indicados en la sección "Programa de mantenimiento".

NOTA:

Una vez al año reemplace la bujía y el filtro de aire. Una bujía nueva y un filtro de aire limpio aseguran la mezcla adecuada de aire-combustible y ayudan a que el motor funcione mejor y dure más.

3.3.1 MANTENIMIENTO DEL GENERADOR

El mantenimiento del generador consiste en mantener la unidad limpia y seca. Opere y almacene la unidad en un entorno seco y limpio en el que no esté expuesto a polvo, suciedad o humedad excesivos, ni a vapores corrosivos. Las ranuras del sistema de enfriamiento por aire no deben estar obstruidas con nieve, hojas ni cualquier otro material extraño.



Revise frecuentemente la limpieza del generador, y límpielo cuando tenga polvo, suciedad, aceite, humedad u otro material extraño en su superficie exterior.

PRECAUCIÓN

⚠ Nunca inserte ningún objeto ni herramienta a través de las ranuras del sistema de enfriamiento por aire, ni siquiera cuando el motor esté inactivo.

NOTA:

NO use una manguera de jardín para limpiar el generador. El agua puede entrar en el sistema de combustible del motor y causar problemas. Además, si entra agua en el generador a través de las ranuras del sistema de enfriamiento por aire, algo del agua puede quedar retenida en cavidades y hendiduras del rotor y del aislamiento del devanado del estator. La acumulación de agua y de suciedad en el devanado interno del generador eventualmente reducirá la resistencia del aislamiento de estos devanados.

3.3.2 LIMPIEZA DEL GENERADOR

- Use un paño húmedo para limpiar las superficies exteriores del generador.
- Se puede usar un cepillo de cerdas suaves para aflojar la tierra, aceite, etc. endurecidos.
- Se puede usar una aspiradora para recoger la suciedad y los residuos sueltos.
- Se puede usar aire de baja presión (no mayor de 25 psi) para desempolvar el generador. Inspeccione las ranuras y aberturas del sistema de enfriamiento por aire del generador. Estas aberturas deben estar siempre limpias y sin obstrucciones.

3.3.3 MANTENIMIENTO DEL MOTOR

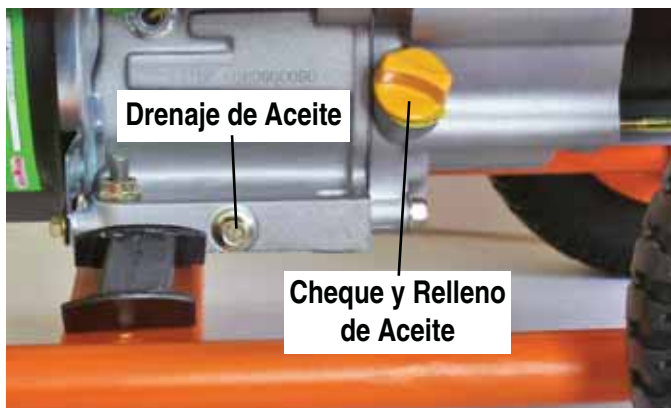
PELIGRO

⚠ Cuando trabaje en el generador, siempre desconecte el cable de la bujía y manténgalo lejos de esta.

3.3.4 MEDICIÓN DEL NIVEL DE ACEITE

Consulte la sección "Antes de poner en marcha el generador" para ver información sobre la medición del nivel de aceite. Debe medir el nivel de aceite antes de cada uso del generador, o al menos cada ocho horas de operación. Mantenga el nivel de aceite (Figura 11).

Figura 11 - Drenaje, revisión y llenado de aceite



3.3.5 CAMBIO DEL ACEITE

Cambie el aceite del motor después de las primeras 8 horas de operación, y después cada 20 horas de operación. Si opera esta unidad en condiciones sucias o con polvo, o en condiciones climáticas extremadamente calientes, cambie el aceite con más frecuencia.

PRECAUCIÓN

⚠ El aceite caliente puede causar quemaduras. Permita que el motor se enfríe antes de drenar el aceite. Evite el contacto prolongado o repetitivo de la piel con el aceite usado. Lave a fondo con jabón las zonas expuestas.

Use las siguientes instrucciones para cambiar el aceite mientras el motor está tibio:

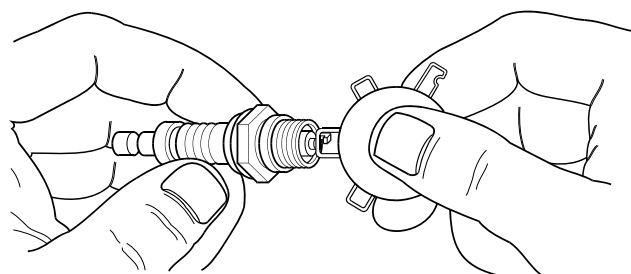
- Limpie el área alrededor del tapón de drenaje del aceite.
- Quite el tapón de drenaje del aceite del motor y el tapón de llenado del aceite y drene completamente el aceite en un recipiente adecuado.
- Cuando haya drenado completamente el aceite, instale el tapón de drenaje del aceite y apriételo firmemente.
- Llene el motor con el aceite recomendado. (Vea "Antes de arrancar el generador" para mayores recomendaciones sobre el aceite).
- Limpie todo el aceite que se haya derramado.
- Deseche el aceite usado en un centro de recolección autorizado.

3.3.6 REEMPLAZO DE LA BUJÍA

Use una bujía F6TC o NGK BPR4ES. Reemplace la bujía cada año. Esto ayudará a que el motor arranque más fácilmente y funcione mejor.

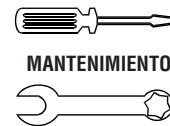
1. Detenga el motor y desconecte el cable de la bujía.
2. Limpie el área alrededor de la bujía y quitela del cabezal del cilindro.
3. Ajuste la separación de los electrodos de la bujía entre 0.70-0.80 mm (0.028-0.031 pulgadas). Instale la bujía con la separación correcta entre electrodos en el cabezal del cilindro y ajústela a 15 pies/libra (Figura 12).

Figura 12 - Separación entre los electrodos de la bujía



3.3.7 MALLA AMORTIGUADORA DE CHISPAS

1. Apague el generador y permita que el motor y el silenciador se enfríen completamente antes de trabajar en la malla amortiguadora de chispas (ubicada en la parte posterior del silenciador).
2. Quite la grampa y la malla amortiguadora de chispas.
3. Limpie la malla amortiguadora de chispas con un cepillo de alambre pequeño.
4. Reemplace la malla amortiguadora de chispas si está dañada.
5. La malla amortiguadora de chispas se instala en el orden inverso al seguido para quitarla.



3.4 MANTENIMIENTO DEL FILTRO DE AIRE

El motor no funcionará correctamente y puede dañarse si el filtro de aire está sucio. Limpie el filtro de aire una vez al año (Figura 13). Límpielo o reemplácelo con más frecuencia si el generador se opera bajo condiciones con mucho polvo.

- Desmonte la cubierta del filtro de aire.
- Lávelo con agua jabonosa. Seque el filtro de aire apretándolo con un paño limpio (NO LO RETUERZA).
- Limpie la cubierta del filtro de aire antes de volverla a instalar.

NOTA:

Si desea pedir un nuevo filtro de aire, comuníquese con el centro de servicio autorizado más cercano llamando al 1-888-436-3722.

Figura 13 - Filtro de aire



3.5 HOLGURA DE LA VÁLVULA

- Admisión — 0.10 ± 0.02 mm (en frío), (0.003" ± 0.005" pulgadas)
- Escape — 0.15 ± 0.02 mm (en frío) (0.005" ± 0.007" pulgadas)

Después de las primeras 50 horas de operación, revise la holgura de la válvula en el motor y ajuste si es necesario.

Importante: Si se siente incómodo realizando este procedimiento o no tiene las herramientas adecuadas, lleve el generador al centro de servicio más cercano para que le ajusten la holgura de la válvula. Este es un paso muy importante para asegurar la vida útil más larga posible del motor.

3.6 GENERAL

El generador se debe poner en marcha al menos una vez cada siete días y se le debe permitir que funcione al menos durante 30 minutos. Si no es posible hacerlo y la unidad se debe almacenar durante más de 30 días, utilice la siguiente información como guía para preparar el generador para su almacenamiento.



PELIGRO

- ⚠ **NUNCA** almacene el motor con combustible en el tanque en interiores o en áreas confinadas deficientemente ventiladas en las que los vapores puedan llegar hasta una llama expuesta, chispa o llama piloto, como por ejemplo en una caldera, calentador de agua, secadora de ropa u otro electrodoméstico a gas.

3.7 ALMACENAMIENTO A LARGO PLAZO

Es importante evitar la formación de depósitos de goma en las piezas del sistema de combustible, como en el carburador, la manguera de combustible o el tanque durante el almacenamiento. Además, la experiencia indica que los combustibles mezclados con alcohol (llamados gasohol, etanol o metanol) pueden atraer humedad, que provoca la separación y la formación de ácidos durante el almacenamiento. El gas ácido puede dañar el sistema de combustible de un motor en almacenamiento.

Para evitar problemas con el motor, el sistema de combustible se debe vaciar antes de almacenar el motor durante 30 días o más, de la manera siguiente:

- Saque toda la gasolina del tanque de combustible.



PELIGRO

- ⚠ **Drene el combustible en un recipiente adecuado en el exterior, lejos de llamas expuestas. Asegúrese de que el motor esté frío. No fume.**

- Arranque y opere el motor hasta que éste se detenga por falta de combustible.
- Mientras el motor está aún caliente, drene el aceite del cárter. Vuelva a llenar el cárter con aceite del grado recomendado.
- Quite las bujías y vierta aproximadamente 1/2 onza (15 ml) de aceite de motor en los cilindros. Cubra el orificio de las bujías con un trapo. Tire del arranque manual un par de veces para lubricar los aros del pistón y el interior del cilindro.



PRECAUCIÓN

- ⚠ **Evite el rocío proveniente de los orificios de las bujías al poner en marcha el motor.**

- Instale y apriete las bujías. No conecte los cables de las bujías.
- Limpie las superficies externas del generador. Compruebe que las ranuras y las aberturas del sistema de enfriamiento por aire estén libres y sin obstrucciones.
- Almacene la unidad en un lugar limpio y seco.

3.8 OTRAS SUGERENCIAS PARA EL ALMACENAMIENTO

- No almacene gasolina de una temporada a otra.
- Reemplace la gasolina si ésta se comienza a oxidar. La corrosión y/o la suciedad en la gasolina causarán problemas en el carburador y en el sistema de combustible.
- Si es posible, almacene la unidad en el interior y cúbrala para protegerla del polvo y la suciedad. **ASEGÚRESE DE VACIAR EL TANQUE DE COMBUSTIBLE.**
- Si no es práctico vaciar el tanque de combustible y va a almacenar la unidad por un periodo de tiempo, añada un estabilizador de combustible comercialmente disponible a la gasolina para aumentar la vida de la gasolina.
- Cubra la unidad con una cubierta protectora adecuada que no retenga humedad.



PELIGRO

- ⚠ **NUNCA** cubra el generador mientras el motor y el área de escape estén calientes.



4.1 GUÍA DE LOCALIZACIÓN Y RESOLUCIÓN DE PROBLEMAS

PROBLEMA	CAUSA	CORRECCIÓN
El motor está funcionando, pero no hay disponible una salida de CA.	<ol style="list-style-type: none"> 1. El disyuntor está abierto. 2. Hay una mala conexión o el juego de cordones eléctricos está defectuoso. 3. El dispositivo conectado no funciona. 4. Falla en el generador. 	<ol style="list-style-type: none"> 1. Restablezca el disyuntor. 2. Revise y repare. 3. Conecte otro dispositivo que funcione bien. 4. Comuníquese con un centro de servicio autorizado.
El motor funciona bien pero se atasca cuando se conectan cargas.	<ol style="list-style-type: none"> 1. Cortocircuito en una carga conectada. 2. El generador está sobrecargado. 3. La velocidad del motor es demasiado lenta. 4. Cortocircuito en el generador. 	<ol style="list-style-type: none"> 1. Desconecte la carga eléctrica cortocircuitada. 2. Consulte la sección "No sobrecargue el generador". 3. Comuníquese con un centro de servicio autorizado. 4. Comuníquese con un centro de servicio autorizado.
El motor no arranca, o arranca y funciona toscamente.	<ol style="list-style-type: none"> 1. El filtro de aire está sucio. 2. Se acabó la gasolina. 3. La gasolina está descompuesta. 4. El cable de la bujía no está conectado a la bujía. 5. Bujía defectuosa. 6. La gasolina tiene agua. 7. Cebado excesivo. 8. Bajo nivel de aceite. 9. Mezcla de combustible excesivamente rica. 10. La válvula de entrada se atoró abierta o cerrada. 11. El motor ha perdido compresión. 	<ol style="list-style-type: none"> 1. Limpie o reemplace el filtro de aire. 2. Llene el tanque de combustible. 3. Drene el tanque de combustible y llénelo con combustible nuevo. 4. Conecte el cable a la bujía. 5. Reemplace la bujía. 6. Drene el tanque de combustible y llénelo con combustible nuevo. 7. Coloque la perilla del cebador en la posición No Choke (sin cebado). 8. Llene el cárter hasta el nivel apropiado.. 9. Comuníquese con un centro de servicio autorizado. 10. Comuníquese con un centro de servicio autorizado. 11. Comuníquese con un centro de servicio autorizado.
El motor se apaga durante la operación.	<ol style="list-style-type: none"> 1. Se acabó la gasolina. 2. Bajo nivel de aceite. 3. Fallo en el motor. 	<ol style="list-style-type: none"> 1. Llene el tanque de combustible. 2. Llene el cárter hasta el nivel apropiado.. 3. Comuníquese con un centro de servicio autorizado.
El motor no tiene potencia.	<ol style="list-style-type: none"> 1. La carga es demasiado alta. 2. El filtro de aire está sucio. 3. El motor necesita mantenimiento. 	<ol style="list-style-type: none"> 1. Consulte la sección "No sobrecargue el generador". 2. Reemplace el filtro de aire. 3. Comuníquese con un centro de servicio autorizado.
El motor vacila.	<ol style="list-style-type: none"> 1. El cebador se abrió demasiado pronto. 2. El carburador está operando muy pesado o muy ligero. 	<ol style="list-style-type: none"> 1. Mueva el cebador a la posición intermedia hasta que el motor funcione sin problemas. 2. Comuníquese con un centro de servicio autorizado.



DECLARACIÓN DE GARANTÍA DE CONTROL DE EMISIONES FEDERAL Y DE CALIFORNIA SUS DERECHOS Y OBLIGACIONES DE GARANTÍA

El directorio de recursos de aire de California (CARB) y la Agencia de protección ambiental de los Estados Unidos (EPA) junto con Generac Power Systems, Inc. (Generac) se complacen en explicar la garantía del sistema de control de emisiones para su nuevo generador del año 2008 o posterior. equipo nuevo que use motores pequeños de chispa deben estar diseñados, construidos y equipados para cumplir estándares anti-smog muy exigentes para el gobierno federal y del Estado de California. Generac garantizará los sistemas de emisión en su motor por el periodo de tiempo listado abajo siempre que no haya abuso, negligencia, modificación o mantenimiento inapropiado de su equipo.

Su sistema de control de emisión puede incluir partes como: carburador, sistema de ignición, convertidor catalítico, tanque de combustible, tapa de combustible, válvulas, lata de carbón, filtros, mangueras de vapor, abrazaderas, conectores, y otros componentes relacionados a la emisión (si existieran).

COBERTURA DE LA GARANTÍA DEL FABRICANTE:

Este sistema de control de emisión está garantizado por dos años. Si durante este periodo de garantía se encuentra que cualquier parte relacionada a las emisiones está defectuosa en materiales o mano de obra, se efectuará las reparaciones o el intercambio por parte de un concesionario de servicio autorizado de Generac.

RESPONSABILIDADES DE GARANTÍA DEL PROPIETARIO:

Como propietario del generador, usted es responsable de completar todos los mantenimientos requeridos tal como se lista en el manual del propietario proporcionado por la fábrica. Para propósitos de garantía, Generac recomienda que usted conserve todos los recibos que cubren el mantenimiento de su generador, pero Generac no puede rehusar la garantía sólo debido a la falta de recibos.

Como propietario del generador, usted deberá ser consciente de que Generac puede negar cualquier y/o todas las coberturas y responsabilidades de la garantía si su generador, o una parte o componente del mismo, ha fallado debido al abuso, negligencia, mantenimiento inapropiado o modificaciones no aprobadas, o el uso de repuestos falsos o del mercado negro no fabricados, suministrados o aprobados por Generac.

Usted es responsable de contactar a un concesionario autorizado de garantía de Generac tan pronto se presente el problema. Las reparaciones de garantía deberán completarse en un tiempo razonable, sin exceder los 30 días.

El servicio de garantía puede arreglarse contactando ya sea a su concesionario de venta o a un concesionario de servicio de garantía autorizado de Generac. Para ubicar al concesionario de servicio de garantía autorizado de Generac más cercano a usted, llame a nuestro número gratuito.

1-800-333-1322

NOTA IMPORTANTE: Esta declaración de garantía explica sus derechos y obligaciones bajo la Garantía del sistema de control de emisiones (ECS Warranty), que Generac le proporciona Generac siguiendo las leyes federales y de California. También vea "Garantías limitadas de Generac para los sistemas de potencia de Generac, Inc." que se adjunta a este manual en una hoja separada, también proporcionada a usted por Generac. Tenga en cuenta que esta garantía no se aplicará a ningún daño incidental, consecuencial o indirecto causado por defectos en los materiales y mano de obra, o cualquier retraso en reparar o reemplazar las partes defectuosas. Esta garantía reemplaza a todas las otras garantías, expresas o implícitas. ESPECÍFICAMENTE, GENERAC NO OFRECE OTRAS GARANTÍAS COMO DE MERCANTIBILIDAD O ADECUACIÓN A UN USO PARTICULAR. Algunos estados no permiten limitaciones en cuánto dura una garantía implícita, de modo que la limitación expresada arriba puede no aplicarse a usted.

La garantía ECS se aplica **sólo** al sistema de control de emisiones de su nuevo equipo. Si hay algún conflicto en términos entre la garantía ECS y la garantía de Generac, se aplicará la de Generac. Ambas garantías describen derechos y obligaciones importantes respecto a su nuevo motor.

El servicio de garantía puede ser realizado sólo por un servicio de garantía autorizado de Generac. Cuando se requiera servicio de garantía, se debe presentar evidencia que muestre la fecha de venta al comprador/propietario original.

Si usted tuviera alguna pregunta respecto a sus derechos y responsabilidades de garantía, deberá ponerse en contacto con Generac en la siguiente dirección:

**ATENCIÓN DEPARTAMENTO DE GARANTÍAS
GENERAC POWER SYSTEMS, INC.
P.O. BOX 297 • WHITEWATER, WI 53190**



GARANTÍA DEL SISTEMA DE CONTROL DE EMISIONES

Garantía de sistema de control de emisiones (garantía ECS) para equipo que usa motores pequeños de chispa.

- (a) Aplicabilidad: Esta garantía se aplica a equipo que utiliza motores pequeños para fuera de pista. El periodo de garantía ECS empezará en la fecha en que el equipo nuevo es comprado por o entregado a su propietario/comprador final original y continuará por los siguientes 24 meses consecutivos.
- (b) Cobertura general de la garantía de emisiones: Generac garantiza al propietario/comprador final original del motor o equipamiento nuevo y a cada subsiguiente comprador/propietario que el ECS cuando se instaló estuvo:
 - (1) Diseñado, construido y equipado para cumplir con todas las regulaciones aplicables; y
 - (2) Libre de defectos en materiales y mano de obra que cause la falla de una parte garantizada en cualquier momento durante el periodo de garantía ECS.
- (c) La garantía sobre partes relacionadas a la emisión se interpretarán como sigue:
 - (1) Cualquier parte garantizada que no esté programada para reemplazo como mantenimiento requerido en el Manual del propietario será garantizada en el periodo de garantía ECS. Si fallara cualquier parte durante el periodo de garantía ECS, deberá ser reparado o reemplazado por Generac de acuerdo a la Subsección (4) más abajo. Cualquier parte así reparada o reemplazada bajo la garantía ECS deberá ser garantizada por el resto del periodo de garantía ECS.
 - (2) Cualquier parte garantizada que esté programada sólo para inspección regular como se especifica en el Manual del propietario será garantizada en el periodo de garantía ECS. Una declaración en el manual del propietario a efecto de "reparar o reemplazar según sea necesario" no reducirá el periodo de garantía ECS. Cualquier parte así reparada o reemplazada bajo la garantía ECS deberá ser garantizada por el resto del periodo de garantía ECS.
 - (3) Cualquier parte garantizada que esté programada para reemplazo según lo requiera el mantenimiento en el Manual del Propietario deberá ser garantizado por el periodo de tiempo antes del primer punto de reemplazo programado para esa parte. Si la parte falla antes del primer reemplazo programado, la parte será reparada o reemplazada por Generac de acuerdo a la Subsección (4) más abajo. Cualquier parte relacionada a las emisiones así reparada o reemplazada bajo la garantía ECS será garantizada por el resto del periodo antes del primer punto de reemplazo programado para aquella parte.
 - (4) La reparación o reemplazo de cualquier parte garantizada relacionada a las emisiones bajo esta garantía ECS deberá realizarse sin costo alguno para el propietario en un centro de servicio de garantía autorizado por Generac.
 - (5) No obstante las disposiciones de la subsección (4) arriba indicadas, los servicios o reparaciones por garantía deben ser proporcionados en una instalación de servicio autorizada por Generac.
 - (6) Cuando el motor sea inspeccionado por un centro de servicio de garantía autorizado de Generac, el propietario/comprador no será responsable de los costos de diagnóstico si la reparación se considera dentro de la garantía.
 - (7) A lo largo del periodo de garantía ECS, Generac mantendrá un suministro de partes garantizadas relacionadas a las emisiones suficiente para cumplir la demanda esperada para tales repuestos.
 - (8) Cualquier repuesto relacionado a la emisión autorizado y aprobado por Generac puede usarse en la ejecución de cualquier reparación o mantenimiento de garantía ECS y se proporcionará sin costo al comprador/propietario. Dicho uso no reducirá las obligaciones de garantía ECS de Generac.
 - (9) Los repuestos no aprobados, añadidos, modificados, falsos y/o del mercado negro no se pueden usar para modificar o reparar un motor Generac. Dicho uso invalida esta garantía ECS y será base suficiente para no aceptar un reclamo por garantía ECS. Generac no podrá ser declarado responsable por fallas de cualquier parte garantizada de un equipo Generac causadas por el uso de tales repuestos no aprobados, añadidos, modificados, falsos y/o del mercado negro.

LAS PARTES RELACIONADAS A LA EMISIÓN PUEDEN INCLUIR LO SIGUIENTE (SI SE TIENE):

- | | |
|--|---------------------------------------|
| 1) SISTEMA DE COMBUSTIBLE | 3) SISTEMA DE MEDICIÓN DE COMBUSTIBLE |
| A. TANQUE DE COMBUSTIBLE | A. CARBURADOR Y PARTES INTERNAS |
| B. TAPA DE COMBUSTIBLE | B. REGULADOR DE PRESIÓN |
| C. LÍNEA DE COMBUSTIBLE | 4) SISTEMA DE INDUCCIÓN DE AIRE |
| D. ACCESORIOS DE LA LÍNEA DE COMBUSTIBLE | A. DISTRIBUIDOR DE ENTRADA |
| E. ABRAZADERAS* | B. FILTRO DE AIRE |
| F. VÁLVULAS DE LIBERACIÓN DE PRESIÓN* | 5) SISTEMA DE IGNICIÓN |
| 2) SISTEMA DE CONTROL EVAPORADOR | A. BUJÍAS |
| A. LATA DE CARBÓN | B. BOBINAS/MÓDULO DE IGNICIÓN |
| B. SOPORTES DE MONTAJE DE LA LATA | 6) SISTEMA DE INYECCIÓN DE AIRE |
| C. PUERTO DE PURGA DEL CARBURADOR | A. VÁLVULA DE AIRE DE PULSO |
| D. VÁLVULAS DE CONTROL* | 7) SISTEMA DE ESCAPE |
| E. MANGUERAS DE VAPOR | A. CATALIZADOR |
| F. VÁLVULAS DE PURGA | B. REACTOR TÉRMICO |
| G. SEPARADOR LÍQUIDO / VAPOR | C. DISTRIBUIDOR DE ESCAPE |
| H. DIAFRAGMAS DE CONTROL DE VACÍO* | |

*NOTA: Como se relacionen con el sistema de control de emisiones.

**GARANTÍA LIMITADA DE “DOS AÑOS” DE GENERAL POWERS SYSTEMS PARA LOS GENERADORES PORTÁTILES DE LA SERIE GP**

Durante el período de dos años a partir de la fecha original de venta, Generac Power Systems, Inc. (Generac) garantiza que sus generadores de la serie GP no poseen defectos de materiales ni de mano de obra por los elementos y período establecidos en este documento. Generac, a su discreción, reparará o reemplazará cualquier parte que, luego de ser sometida a examen, inspección y prueba por parte de Generac o de un distribuidor de servicio autorizado en garantía de Generac, se encuentre defectuosa. Cualquier equipo que el comprador/propietario considere defectuoso deberá devolverlo para que sea examinado por el distribuidor de servicio autorizado en garantía de Generac. Todos los costos de transporte bajo esta garantía, incluyendo el de devolución a la fábrica deben ser costeados y prepagados por el comprador/propietario. Esta garantía aplica únicamente a los generadores portátiles de la serie GP de Generac y no es transferible con respecto al comprador original. Guarde su recibo de prueba de compra. Si no proporciona prueba de la fecha de compra inicial, la fecha de envío del fabricante del producto se utilizará para determinar el período de garantía.

PROGRAMACIÓN DE LA GARANTÍA

Las aplicaciones de los consumidores están garantizadas por dos (2) años. Las aplicaciones comerciales o de alquiler están garantizadas por un (1) año o un máximo de 1.000 horas, lo que ocurra primero.

APLICACIÓN DEL CONSUMIDOR

PRIMER y SEGUNDO AÑO – 100% (cien por ciento) cobertura en mano de obra y pieza(s) indicada(s) (se requiere prueba de compra y de mantenimiento):

- Motor – Todos los componentes
- Alternador – Todos los componentes

APLICACIÓN COMERCIAL/ALQUILER

DURANTE UN AÑO – 100% (cien por ciento) cobertura en mano de obra y pieza(s) indicada(s) (se requiere prueba de compra y de mantenimiento):

- Motor – Todos los componentes
- Alternador – Todos los componentes

NOTA: A los fines de esta garantía “uso del consumidor” significa el uso personal residencial doméstico o de recreación por parte del comprador original. Esta garantía no aplica a unidades que se utilicen como fuente primaria de energía en lugar de los servicios públicos donde estos estén presentes o donde el servicio público no exista normalmente. Una vez que el generador haya estado sujeto a uso comercial o de alquiler, se considerará en lo sucesivo como un generador de uso no personal para los fines de esta garantía.

Todos los gastos relacionados con la garantía están sujetos a las condiciones definidas en las Políticas y Procedimientos de Garantía y el Manual de Flete Plano de Generac.

ESTA GARANTÍA NO APLICA A LO SIGUIENTE:

- Generadores portátiles fabricados por Generac antes de mayo 2008.
- Costos de mantenimiento y ajustes normales.
- Fallas causadas por combustibles, aceites contaminados, o la falta de niveles adecuados de aceite.
- Reparaciones o diagnósticos efectuados por personas distintas de los distribuidores autorizados Guardian/Generac que no estén autorizados por escrito por parte de Generac Power Systems.
- Fallas debidas al desgaste por uso normal, accidente, uso inadecuado, abuso, negligencia o utilización inadecuada, pero sin limitarse a ellos. Como con todos los dispositivos mecánicos, los motores de Generac necesitan servicio y reemplazo periódico de piezas para funcionar en la forma para la cual fueron diseñados. Esta garantía no ampara la reparación cuando el uso normal haya agotado la vida de una(s) pieza(s) o del motor.
- Las fallas ocasionadas por causas externas o causas naturales, tales como choque, robo, vandalismo, motín o guerras, holocausto nuclear, fuego, congelación, rayos, terremotos, tormentas de viento, granizo, erupción volcánica, agua o inundación, tornados o huracanes.
- Daños relacionados con roedores o infestación de insectos.
- Productos que hayan sido modificados o alterados de forma no autorizada por Generac por escrito.
- Cualesquiera daños accidentales, resultantes o indirectos ocasionados por defectos en materiales o mano de obra o cualquier demora en la reparación o reemplazo de la(s) parte(s) defectuosa(s).
- Fallas ocasionadas por la aplicación indebida.
- Gastos de teléfono, teléfono celular, fax, acceso a Internet u otros gastos relacionados con las comunicaciones.
- Gastos de viaje o viáticos de la(s) persona(s) que efectúe(n) servicio, excepto como se incluya específicamente dentro de los términos de un período de garantía específico para una unidad.
- Gastos relacionados con la “instrucción al cliente” o solución de problemas donde no se encuentre defecto de fabricación.
- Equipos en alquiler utilizados mientras se efectúen las reparaciones en garantía.
- Flete al día siguiente o costos especiales de envío para la(s) pieza(s) de repuesto.
- Mano de obra con horas extras, en días festivos o de emergencia.
- Arranque de baterías, fusibles, bombillas y fluidos del motor.

ESTA GARANTÍA REEMPLAZA CUALESQUIERA OTRAS GARANTÍAS EXPRESAS O IMPLÍCITAS. ESPECÍFICAMENTE GENERAC NO OTORGA OTRAS GARANTÍAS RELACIONADAS CON EL APROVECHAMIENTO O IDONEIDAD PARA UN FIN PARTICULAR. Algunos estados no permiten limitaciones sobre el tiempo de duración de una garantía, de modo que las limitaciones anteriores puede que no apliquen en su caso. LA ÚNICA RESPONSABILIDAD DE GENERAC SERÁ LA REPARACIÓN O REEMPLAZO DE LA(S) PIEZA(S) DE ACUERDO A LO ESTABLECIDO ANTERIORMENTE. EN NINGÚN CASO GENERAC SERÁ RESPONSABLE DE DAÑOS ACCIDENTALES O RESULTANTES, INCLUSO SI TALES DAÑOS SEAN EL RESULTADO DIRECTO DE LA NEGLIGENCIA DE GENERAC. Algunos estados no permiten la exclusión o limitación de los daños accidentales o resultantes, de modo que la limitación anterior puede que no aplique en su caso. Esta garantía le otorga derechos legales específicos. También puede tener otros derechos que varían de un estado a otro.

GENERAC POWER SYSTEMS, INC.

P.O. BOX 8 • Waukesha, WI 53187

Telef. (888) GENERAC (436-3722) • Fax: (262) 544-4851

Para ubicar el distribuidor autorizado más cercano visite nuestro sitio en Internet www.generac.com

MODÈLE : 005789-0

Guide du propriétaire

- SÉCURITÉ
- MONTAGE
- FONCTIONNEMENT
- DÉPISTAGE
DESPANNES
- GARANTIE



2 ANS
DE GARANTIE
LIMITÉE

SOUTIEN DÉPOSITAIRE AUTORISÉ :

www.generac.com
OU
1-888-GENERAC

GENERAC®

Introduction.....	37	Section 3 – Entretien	45
Lire attentivement ce guide	37	3.1 Calendrier d'entretien.....	45
Consignes de sécurité	38	3.2 Spécifications du produit.....	45
Index des normes.....	39	3.2.1 Spécifications de la génératrice.....	45
Section 1 – Généralités	40	3.2.2 Spécifications du moteur	46
1.1 Déballage.....	40	3.3 Recommandations générales.....	45
1.1.1 Boîte d'accessoires.....	40	3.3.1 Entretien de la génératrice.....	45
1.2 Montage.....	40	3.3.2 Nettoyage de la génératrice.....	46
1.2.1 Montage du kit d'accessoires.....	40	3.3.3 Entretien du moteur	46
Section 2 – Fonctionnement	40	3.3.4 Vérification du niveau d'huile.....	46
2.1 Connaître la génératrice.....	40	3.3.5 Changement d'huile	46
2.2 Cordons électriques et fiches de branchement.....	42	3.3.6 Remplacement de la bougie.....	46
2.2.1 120 VCA, 20 A, Prise double	42	3.3.7 Pare-étincelles	46
2.3 Mode d'emploi de la génératrice	42	3.4 Entretien du filtre à air	46
2.3.1 Mise à la terre de la génératrice	42	3.5 Jeu de soupape.....	47
2.3.2 Branchement des charges électriques	42	3.6 Généralités.....	47
2.4 Ne pas surcharger la génératrice	42	3.7 Rangement à long terme	47
2.5 Guide de référence de puissance.....	43	3.8 Autres conseils sur le rangement.....	47
2.6 Avant la mise en marche de la génératrice.....	43	Section 4 – Dépannage.....	48
2.6.1 Ajout de l'huile de moteur	43	4.1 Guide de réparations	48
2.6.2 Ajout de l'essence	43	Section 5 – Remarques	49
2.7 Démarrage du moteur	44	Section 6 – Garantie	52
2.8 Arrêt du moteur.....	45		
2.9 Système d'arrêt en cas de faible niveau d'huile	45		
2.9.1 Détection de faible niveau d'huile	45		

INTRODUCTION

Nous vous remercions d'avoir acheté ce modèle fabriqué par Generac Power Systems, Inc. Ce modèle est un générateur entraîné par moteur compact, à haute performance, refroidi à l'air, conçu pour fournir l'alimentation électrique afin de faire fonctionner les charges électriques lorsqu'aucun réseau électrique n'est disponible ou à la place du réseau en raison d'une coupure de courant.

LIRE ATTENTIVEMENT CE MANUEL

En cas d'incompréhension d'une partie de ce manuel, contacter le dépositaire agréé le plus proche pour connaître les procédures de démarrage, de fonctionnement et d'entretien.

Dans tout ce manuel, et sur les étiquettes et sur les autocollants apposés sur le générateur, les blocs DANGER, AVERTISSEMENT, ATTENTION et REMARQUE servent à alerter le personnel d'instructions spéciales au sujet d'une opération spécifique qui peut s'avérer dangereuse si elle n'est pas effectuée correctement ou avec précaution. Les respecter attentivement. Leurs définitions sont les suivantes :



Après ce titre, lire les instructions qui, si elles ne sont pas strictement respectées, entraîneront des blessures corporelles graves, y compris la mort et/ou des dommages aux biens.



Après ce titre, lire les instructions qui, si elles ne sont pas strictement respectées, peuvent entraîner des blessures corporelles graves et/ou des dommages aux biens.




Après ce titre, lire les instructions qui, si elles ne sont pas strictement respectées, pourraient entraîner des dommages à l'équipement et/ou aux biens.

REMARQUE :

Après ce titre, lire les explications sur lesquelles il est nécessaire d'insister.


Ces avertissements de sécurité ne peuvent pas éliminer les dangers qu'ils signalent. Le sens commun et le respect strict des instructions spéciales lors de l'entretien sont essentiels pour éviter les accidents.

Quatre symboles de sécurité couramment utilisés accompagnent les blocs DANGER, AVERTISSEMENT et ATTENTION. Chacun indique le type d'informations suivant :

 Ce symbole indique des informations importantes relatives à la sécurité qui, si elles ne sont pas suivies, pourraient mettre en danger la sécurité personnelle et/ou les biens des autres.

 Ce symbole indique un risque potentiel d'explosion.


 Ce symbole indique un risque potentiel d'incendie.


 Ce symbole indique un risque potentiel d'électrocution.

L'opérateur est responsable de l'utilisation correcte et sûre de l'équipement. Nous recommandons fortement à l'opérateur de lire ce manuel et de comprendre complètement toutes les instructions avant d'utiliser l'équipement.


Nous recommandons également fortement d'apprendre à d'autres utilisateurs comment correctement démarrer et faire fonctionner l'unité. Cela les prépare au cas où ils auraient besoin de faire fonctionner l'équipement pour une urgence.




 **Utiliser un générateur à l'intérieur VOUS TUERA EN QUELQUES MINUTES.** L'échappement contient du monoxyde de carbone, un gaz toxique invisible et inodore.

 **NE JAMAIS utiliser à l'intérieur ou dans des espaces partiellement clos tels que les garages. Utiliser UNIQUEMENT à l'extérieur et loin des fenêtres, portes ouvertes, ventilations, et dans un espace dans lequel le gaz d'échappement ne s'accumulera pas de façon mortelle.**



 **Toujours débrancher le fil de bougie et placer le fil de façon à qu'il n'entre pas en contact avec la bougie d'allumage afin d'éviter un démarrage accidentel lors de l'installation, du transport, du réglage ou des réparations du générateur.**

- Le générateur produit une tension dangereusement haute qui peut entraîner un risque élevé d'électrocution. Éviter le contact avec les fils nus, les bornes, etc. Ne jamais laisser une personne non qualifiée faire fonctionner le ou effectuer l'entretien du générateur.
- Ne jamais manipuler tout type de cordon ou de dispositif électrique qui est dans l'eau, alors que vous êtes pieds nus ou que vos mains ou vos pieds sont mouillés. Cela entraînera un risque d'électrocution.
- Le National Electric Code (Code électrique national) exige que le bâti et que les pièces externes électriquement conductrices du générateur soient correctement reliés à une terre approuvée. Les codes électriques locaux peuvent également exiger la bonne mise à la terre du générateur. Consulter un électricien local pour connaître les exigences de mise à la terre dans la région.
- Utiliser un disjoncteur de fuite à la terre dans toute zone humide ou très conductrice (telle que le carter protecteur métallique ou l'aciérie).
- Ne pas utiliser de cordons électriques usés, nus, effilochés ou autrement endommagés avec le générateur.
- Faire fonctionner le générateur uniquement sur des surfaces de niveau et où il ne sera pas exposé à l'humidité, aux saletés, à la poussière ou aux vapeurs corrosives excessives.
- L'essence est extrêmement **INFLAMMABLE** et ses vapeurs sont **EXPLOSIVES**. Ne pas produire de fumée, flammes nues, étincelles ou chaleur à proximité de l'endroit où l'essence est manipulée. **Éviter de renverser de l'essence sur un moteur chaud.** Respecter toutes les lois réglementant le stockage et la manipulation de l'essence.

 **Ne pas trop remplir le réservoir d'essence. Toujours laisser de la place pour l'expansion du carburant. En cas de suremplissage du réservoir, le carburant peut déborder sur un moteur chaud et entraîner un INCENDIE ou une EXPLOSION. NE JAMAIS ajouter de carburant lorsque l'unité fonctionne ou est chaude. Laisser le moteur complètement refroidir avant d'ajouter du carburant.**



⚠ CONSERVER CES CONSIGNES – Le fabricant recommande que ces règles relatives au fonctionnement sûr soient copiées et affichées à proximité du site d'installation de l'unité. Tous les opérateurs et opérateurs potentiels de cet équipement doivent prendre conscience de la question de la sécurité.

⚠ DANGER ⚠

⚠ Ne jamais stocker le générateur avec le réservoir rempli de carburant étant donné que les vapeurs d'essence pourraient atteindre une flamme ouverte, des étincelles ou une veilleuse (comme il y en a sur une chaudière, un chauffe-eau ou sur un sèche-linge). Cela peut entraîner un **INCENDIE** ou une **EXPLOSION**. Laisser l'unité complètement refroidir avant le stockage.

⚠ Les gaz d'échappement du générateur contiennent du gaz de monoxyde de carbone **MORTEL**. Ce gaz dangereux, s'il est respiré, peut causer des céphalées, de la fatigue, des vertiges, des vomissements, une confusion, une attaque, des nausées, des évanouissements, une perte de conscience ou même la mort. Faire fonctionner cet équipement uniquement en plein air, là où l'aération est adéquate.

⚠ **NE JAMAIS** faire fonctionner le générateur à l'intérieur, dans un garage, à proximité d'une fenêtre ou d'une porte ouverte, d'une bouche d'aération, dans un vide sanitaire, dans une autre ouverture ou dans un espace où le gaz d'échappement pourrait s'accumuler.

⚠ Laisser au moins cinq (5) pieds ou plus de jeu sur tous les côtés du générateur afin de laisser une aération adaptée pour la sécurité personnelle et éviter d'endommager l'unité. Ne jamais faire fonctionner l'unité à l'intérieur de toute pièce ou espace.

- Ne jamais démarrer ou arrêter l'unité avec les charges électriques branchées aux prises ET avec des dispositifs branchés sous tension. Démarrer le moteur et le laisser se stabiliser avant de brancher les charges électriques. Débrancher toutes les charges électriques avant d'arrêter le générateur.
- Ne pas insérer d'objet dans les fentes de refroidissement de l'unité.
- **Ne jamais faire fonctionner le générateur** : À l'intérieur ou dans un espace clos ; sous la pluie ; si des dispositifs électriques branchés surchauffent ; si la puissance électrique est perdue ; si le moteur ou le générateur fait des étincelles ; si des flammes ou de la fumée sont détectées alors que l'unité fonctionne ; si l'unité vibre de façon excessive.
- Installer un détecteur d'oxyde de carbone à alimentation par batterie à l'intérieur, conformément aux instructions et aux recommandations du fabricant.

REMARQUE :

Ce générateur est équipé d'un silencieux pare-étincelles. Le propriétaire / l'opérateur du générateur devra garder le pare-étincelles en bon état. Dans l'État de Californie, un pare-étincelles est exigé par la loi (Section 4442 du California Public Resources Code (Code de ressources publiques de Californie)). Les autres États peuvent avoir des lois similaires. Les lois fédérales s'appliquent sur les terres fédérales.

Lire attentivement ces **RÈGLES DE SÉCURITÉ** avant l'installation, le fonctionnement ou l'entretien de cet équipement. Se familiariser avec ce manuel et l'unité. Le générateur peut fonctionner en toute sécurité, de façon efficace et de façon fiable uniquement s'il est correctement installé, utilisé et entretenu. De nombreux accidents sont dus au non-respect de règles ou précautions simples et essentielles.

Le fabricant ne peut pas anticiper toutes les situations possibles qui peuvent impliquer un danger. Les avertissements de ce manuel et figurant sur les étiquettes et les autocollants apposés sur l'unité ne sont, toutefois, pas exhaustifs. Si vous suivez une procédure, une méthode de travail ou une technique de fonctionnement que le fabricant ne recommande pas en particulier, assurez-vous qu'elle est sans danger pour les autres. S'assurer que la procédure, la méthode de travail ou la technique de fonctionnement choisie ne rende pas le générateur dangereux.

⚠ DANGER ⚠

⚠ Malgré la conception sûre de ce générateur, faire fonctionner ce générateur de façon imprudente, négliger sa maintenance ou ne pas prendre de précaution peut entraîner des blessures corporelles ou la mort. Seulement autoriser les personnes responsables et compétentes pour faire fonctionner le ou effectuer la maintenance du générateur.

⚠ Ces machines génèrent des tensions potentiellement mortelles. S'assurer que toutes les étapes sont suivies pour rendre la machine sûre avant de commencer à travailler sur le générateur.

⚠ Les pièces du générateur tournent et/ou sont chaudes pendant le fonctionnement. Soyez prudent si vous êtes à proximité des générateurs en fonctionnement. Ne pas toucher les surfaces chaudes comme le pot d'échappement. Cela peut entraîner de graves brûlures. Laisser refroidir le générateur avant de le toucher.

⚠ DANGERS GÉNÉRAUX ⚠

- Ne jamais faire fonctionner dans un espace clos ou à l'intérieur.
- Pour des raisons de sécurité, le fabricant recommande que la maintenance de cet équipement soit effectuée par un dépositaire agréé.
- Les fumées d'échappement du moteur contiennent du monoxyde de carbone, qui peut s'avérer **MORTEL**. Ce gaz dangereux, s'il est respiré en concentrations suffisantes, peut entraîner une perte de conscience ou même la mort. Ce système d'échappement doit être correctement entretenu. Ne rien faire qui pourrait rendre le système d'échappement dangereux ou non conforme aux codes locaux et/ou normes locales.

⚠ AVERTISSEMENT : ⚠

L'échappement du moteur de cet appareil contient des produits chimiques connus de l'État de Californie comme causant le cancer, des anomalies congénitales ou d'autres problèmes génésiques.

⚠ AVERTISSEMENT : ⚠

L'échappement du moteur de cet appareil contient des produits chimiques connus de l'État de Californie comme causant le cancer, des anomalies congénitales ou d'autres problèmes génésiques.



- Tenir les mains, les pieds, les vêtements, etc., à distance des courroies de transmission, des ventilateurs et d'autres pièces mobiles ou chaudes. Ne jamais retirer tout protège-ventilateur pendant que l'unité fonctionne.
- Un débit approprié, non obstrué d'air de refroidissement et de ventilation est important pour corriger le fonctionnement du générateur. Ne pas modifier l'installation ou ne pas laisser même un blocage partiel de l'alimentation de ventilation, étant donné que cela peut sérieusement affecter le fonctionnement sûr du générateur. Il FAUT faire fonctionner le générateur à l'extérieur.
- Lors du travail sur cet équipement, conserver l'alerte à tout moment. Ne jamais travailler sur l'équipement en cas de fatigue physique ou mentale.
- Inspecter régulièrement le générateur et contacter le dépositaire agréé le plus proche pour les pièces qui nécessitent une réparation ou un remplacement.
- Avant d'effectuer toute maintenance sur le générateur, débrancher ses câbles de batterie afin d'empêcher un démarrage accidentel. Débrancher le câble de la borne de la batterie signalée par l'inscription NEGATIVE (Négatif), NEG ou le signe (-) en premier. Rebrancher ce câble en dernier.
- Ne jamais utiliser le générateur ou n'importe laquelle de ses pièces comme marche. Monter sur l'unité peut écraser et casser les pièces, et peut entraîner des conditions de fonctionnement dangereuses suite à une fuite de gaz d'échappement, une fuite de carburant, une fuite d'huile, etc.
- NE PAS faire fonctionner le générateur sous la pluie.

DANGERS ÉLECTRIQUES

- Tous les générateurs traités par ce manuel produisent des tensions électriques dangereuses et peuvent entraîner une électrocution mortelle. Le réseau électrique délivre des tensions extrêmement élevées et dangereuses comme le générateur pendant son fonctionnement. Éviter le contact avec les fils nus, les bornes, les branchements, etc., pendant le fonctionnement de l'unité. S'assurer que tous les couvercles, les dispositifs de protection et les barrières sont en place avant de faire fonctionner le générateur. Si un travail doit être effectué autour d'une unité en fonctionnement, rester sur une surface isolée et sèche pour réduire le risque de danger électrique.
- Ne jamais manipuler tout type de dispositif électrique qui est dans l'eau, alors que vous êtes pieds nus ou que vos mains ou vos pieds sont mouillés. **CELA ENTRAÎNERA UN RISQUE D'ÉLECTROCUTION.**
- Le National Electric Code (NEC) (Code électrique national) exige que le bâti et que les pièces externes électriquement conductrices du générateur soient correctement reliés à une terre approuvée. Les codes électriques locaux peuvent également exiger la bonne mise à la terre du système électrique du générateur.
- En cas d'accident causé par électrocution, couper immédiatement la source d'alimentation électrique. Si cela est impossible, essayer de libérer la victime du conducteur sous tension. **ÉVITER TOUT CONTACT DIRECT AVEC LA VICTIME.** Utiliser un objet non conducteur, comme une corde ou une planche, pour libérer la victime du conducteur sous tension. Si la victime est inconsciente, assurer les premiers secours et demander une aide médicale immédiate.
- Ne jamais porter de bijoux lors du travail sur cet équipement. Les bijoux peuvent être conducteurs et entraîner une électrocution ou peuvent se prendre dans les composants mobiles, entraînant des blessures.

RISQUES D'INCENDIE

- Pour la sécurité contre les incendies, le générateur doit être correctement utilisé et entretenu. Le fonctionnement doit toujours respecter les codes, normes, lois et réglementations applicables. Strictement respecter les codes de construction et électriques locaux, d'État et nationaux. Conformément aux réglementations, l'Occupational Safety and Health Administration (OSHA) (Gestion de la sécurité et la santé au travail) a été établi. S'assurer également que le générateur est utilisé conformément aux instructions et aux recommandations du fabricant. Ne pas modifier la construction du générateur ni les commandes, ce qui pourrait créer une condition de fonctionnement dangereuse.
- Garder un extincteur à proximité du générateur à tout moment. Les extincteurs portant la mention « ABC » par la National Fire Protection Association (Association nationale pour la protection contre les incendies) sont adaptés à une utilisation sur le système électrique de secours. Garder l'extincteur correctement chargé et se familiariser avec son utilisation. Si vous avez des questions au sujet des extincteurs, consultez les pompiers locaux.
- L'essence est extrêmement INFLAMMABLE. NE JAMAIS ajouter de carburant lorsque l'unité fonctionne ou est chaude. Éviter de renverser de l'essence sur un moteur chaud. Laisser le moteur/l'unité complètement refroidir avant d'ajouter du carburant. Ne pas trop remplir le réservoir d'essence. Toujours laisser de la place pour l'expansion du carburant. Nettoyer immédiatement toute éclaboussure de carburant. En cas de suremplissage du réservoir, le carburant peut déborder sur un moteur chaud et entraîner un INCENDIE. Ne jamais remplir le réservoir d'essence à l'intérieur.

RISQUES D'EXPLOSION

- Ne pas fumer à proximité du générateur. Nettoyer immédiatement toute éclaboussure de carburant ou d'huile. S'assurer qu'aucune matière combustible ne reste sur ou à proximité du générateur, étant donné que cela peut entraîner un INCENDIE ou une EXPLOSION. Garder l'espace environnant du générateur propre et sans débris.
- L'essence est extrêmement INFLAMMABLE et EXPLOSIVE.

INDEX DES NORMES

En l'absence de normes, codes, réglementations et lois applicables, les informations publiées indiquées ci-dessous peuvent servir de directive pour le fonctionnement de cet équipement. Toujours se reporter à la dernière révision disponible pour les normes indiquées.

1. NFPA N° 70, NFPA HANDBOOK OF NATIONAL ELECTRIC CODE (Manuel NFPA du code électrique national).
2. Article X, NATIONAL BUILDING CODE (Code de construction national), disponible auprès de l'American Insurance Association, 85 John Street, New York, N.Y. 10038.
3. AGRICULTURAL WIRING HANDBOOK (Manuel de câblage agricole), disponible auprès du Food and Energy Council, 909 University Avenue, Columbia, MO 65201.
4. ASAE EP-3634, INSTALLATION AND MAINTENANCE OF FARM STANDBY ELECTRICAL SYSTEMS (Installation et maintenance des systèmes électriques de secours pour les fermes), disponible auprès de l'American Society of Agricultural Engineers, 2950 Niles Road, St. Joseph, MI 49085.
5. NFPA N° 30, NFPA AND COMBUSTIBLE LIQUIDS CODE (Code relatif aux liquides inflammables et combustibles).

1.1 DÉBALLAGE

- Enlever tous les matériaux d'emballage.
- Enlever la boîte d'accessoires séparée.
- Enlever la génératrice du carton.

1.1.1 BOÎTE D'ACCESSOIRES

Vérifier le contenu. Si des pièces manquent ou sont endommagées, chercher un dépositaire autorisé au 1 888 436-3722.

- 1- Guide du propriétaire
- 1- Huile SAE 30
- 2- Roues de 7 po
- 1- Ensemble manche
- 1- Support de manche
- 1- Sac de quincaillerie (contenant ce qui suit) :

2 - Pare-chocs en caoutchouc	7 - Écrous M6
2 - Supports de pare-chocs	1 - Axe
2 - Moyeu	5 - Boulons M6-1 x 40
2 - Rondelles plate M12	2 - Goupilles fendues
2 - Boulons M6-1.0 x 16	

1.2 MONTAGE

La génératrice a besoin d'un certain montage avant de pouvoir être utilisée. Si des problèmes surviennent quand on monte la génératrice, appeler la Ligne d'Assistance pour génératrices au 1 888 436-3722.

1.2.1 MONTAGE DU KIT D'ACCESSOIRES

Les roues sont conçues pour augmenter fortement la portabilité de la génératrice.

REMARQUE :

Les roues ne sont pas prévues pour être utilisées sur la route.

1. Voir la Figure 1 pour monter les roues comme indiqué.
 - Faire glisser l'axe à travers les brides d'axe.
 - Faire glisser la moyeu, la roue et la rondelle plate puis insérer la goupille fendue dans le trou de l'essieu.
 - Plier les branches de la goupille vers l'extérieur pour verrouiller la goupille en place.
2. Voir la Figure 1 pour monter les pare-chocs de roues comme indiqué.
 - Insérer un boulon M6 dans le pare-chocs en caoutchouc et le bas du support de pare-chocs. Fixer le boulon avec un écrou M6.
 - Installer un boulon M6 dans le cadre de la génératrice et dans le dessus du support de pare-chocs. Fixer le boulon avec un écrou M6.
3. Voir la Figure 2 pour monter l'ensemble manche comme indiqué.
 - Insérer le support de manche dans le cadre de la génératrice et fixer avec deux boulons M6 et deux écrous M6.
 - Aligner les trous de montage du manche avec les trous du support de manche et fixer avec un boulon M6 et un écrou M6.

Figure 1 – Montage des roues

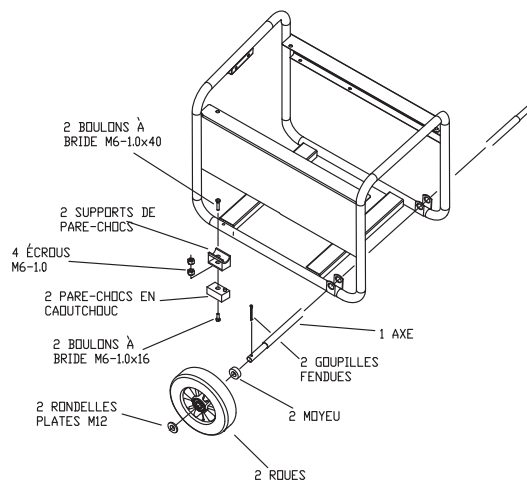
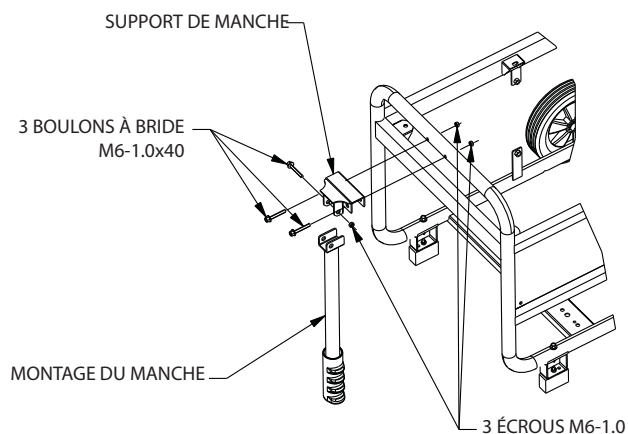


Figure 2 – Kit de manche

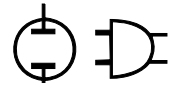


2.1 CONNAÎTRE LA GÉNÉRATRICE

Lire le guide du propriétaire et les règles de sécurité avant d'utiliser cette génératrice.

Comparer la génératrice aux figures 3 à 6 pour se familiariser avec l'emplacement des commandes et des réglages. Conserver ce guide pour utilisation ultérieure.

1. **120 Volts CA, 20 A, Prise double** – Fournit l'alimentation électrique pour le fonctionnement de charges de moteur, d'éclairage, d'outils, d'appareils électriques de 120 volts CA, 20 A, monophasés, 60Hz.
2. **Disjoncteurs (c.a.)** – Chaque prise est fournie avec un disjoncteur de type « pousser pour réenclencher » de 13,5 A pour protéger le générateur contre les surcharges électriques.
3. **Filtre à air** – Filtre l'air quand il entre dans le moteur.
4. **Bouton de volet d'air** – Utilisé quand on fait démarrer un moteur froid.
5. **Réservoir de carburant** – Le réservoir contient 4 gallons US de carburant.
6. **Borne de mise à la terre** – Mettre la génératrice à la terre à une masse à la terre approuvée ici. Voir « mise à la terre de la génératrice » pour détails.



7. Bouton Marche/Arrêt – Commande le fonctionnement de la génératrice.
8. Silencieux – Rend le moteur moins bruyant.
9. Rend le moteur moins bruyant – Pivote et se rétracte pour ranger.
10. Bouchon d'essence – Emplacement de remplissage de carburant.
11. Jauge de carburant – Indique le niveau de carburant dans le réservoir.
12. Vérification/Remplissage d'huile – Vérifier et remplir d'huile ici.
13. Lanceur – Utiliser pour faire démarrer le moteur manuellement.
14. Arrêt du carburant – Valve entre le réservoir de carburant et le carburateur.
15. Bouchon de vidange de l'huile – Utilisé pour vidanger l'huile.
16. Pare-étincelles – Réduit les risques d'incendie en contenant les étincelles.
17. Soupape de sécurité – Passe les vapeurs d'essence dans le réservoir à charbon actif.
18. Réservoir à charbon actif – Absorbe les vapeurs du réservoir d'essence.
19. Tuyau de récupération – Installé entre les éléments 17 et 18.

Figure 3 - Panneau de commande

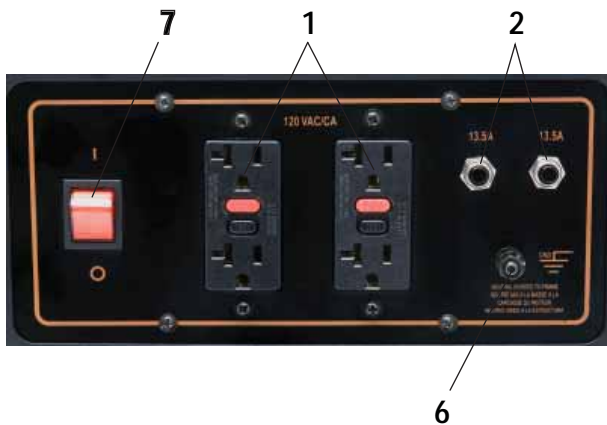


Figure 4 - Commandes de la génératrice

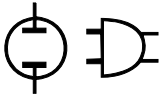


Figure 5 - Commandes de la génératrice



Figure 6 - Commandes de la génératrice





2.2 CORDONS ÉLECTRIQUES ET FICHES DE BRANCHEMENT

2.2.1 120 VAC, 20 A, PRISE DOUBLE

C'est une prise 120 volts protégée contre les surcharges par un disjoncteur « pousser pour réenclencher » de 13.5 A (Figure 6). 13.5 A de courant peuvent être tirés de chaque douille, la puissance totale doit cependant être gardée dans le nominal de la plaque de données. N'utiliser que des cordons électriques à 3 fils, à la terre, bien isolés, de haute qualité avec un nominal de 125 volts à 20 A (ou plus).

2.3 MODE D'EMPLOI DE LA GÉNÉRATRICE

Si des problèmes surviennent quand on utilise la génératrice, appeler la Ligne d'Assistance des génératrices au 1 888 436-3722.



⚠ **Utiliser un générateur à l'intérieur VOUS TUERA EN QUELQUES MINUTES.** L'échappement contient du monoxyde de carbone, un gaz toxique invisible et inodore.

⚠ **NE JAMAIS utiliser à l'intérieur ou dans des espaces partiellement clos tels que les garages.** Utiliser **UNIQUEMENT** à l'extérieur et loin des fenêtres, portes ouvertes, ventilations, et dans un espace dans lequel le gaz d'échappement ne s'accumulera pas de façon mortelle.



2.3.1 MISE À LA TERRE DE LA GÉNÉRATRICE

Le code national de l'électricité requiert que le cadre et les pièces externes conductrices électriques de la génératrice soient connectés correctement à une masse à la terre approuvée (Figure 7). Le code local d'électricité peut aussi exiger la mise à la terre correcte de la génératrice. Pour cette raison, connecter un fil torsadé en cuivre N° 10 AWG (American Wire Gauge) à la borne à la terre et à une tige de mise à la terre en cuivre ou laiton (électrode) plantée dans la terre fournit une protection adéquate contre les décharges électriques. Les codes locaux peuvent cependant être très différents. **Voir un électricien local pour les exigences de mise à la terre dans la région.**

Une bonne mise à la terre de la génératrice aidera à empêcher des décharges électriques dans le cas d'une mise à la masse défectueuse dans la génératrice ou dans des appareils électriques branchés. Une mise à la terre correcte aide aussi à dissiper l'électricité statique qui s'accumule souvent dans des appareils non mis à la masse.

Figure 7 - Mise à la terre de la génératrice



2.3.2 BRANCHEMENT DES CHARGES ÉLECTRIQUES

NE PAS brancher des charges de 240 volts à des prises de 120 volts. **NE PAS** brancher des charges triphasées à la génératrice. **NE PAS** brancher des charges de 50 Hz à la génératrice.

- Donner quelques minutes au moteur pour se stabiliser et chauffer après sa mise en route.
- Brancher et mettre en route les charges électriques 60 Hz, monophasées, 120 ou 240 volts CA.
- Faire la somme de la puissance nominale (ou ampères) de toutes les charges qui doivent être branchées en même temps. Ce total ne doit pas dépasser (a) la capacité nominale puissance/intensité de la génératrice ou (c) le nominal du disjoncteur de la prise fournissant le courant. Voir « Ne pas surcharger la génératrice ».

2.4 NE PAS SURCHARGER LA GÉNÉRATRICE

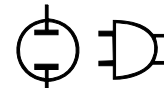
Surcharger une génératrice au-delà de sa capacité de puissance nominale peut causer des dommages à la génératrice et aux appareils électriques branchés. Observer ce qui suit pour empêcher la surcharge de l'appareil :

- Faire la somme de la puissance de tous les appareils électriques branchés en même temps. Cette somme **NE** doit **PAS** être supérieure à la capacité de puissance de la génératrice.
 - On trouve la puissance nominale des lumières sur les ampoules électriques. On peut normalement trouver la puissance nominale des outils, appareils et moteurs sur une étiquette ou décalcomanie de données fixée sur l'appareil.
 - Si l'appareil, l'outil ou le moteur ne donne pas la puissance, multiplier les volts par le nominal d'intensité pour déterminer la puissance (volts x ampères = watts).
 - Certains moteurs électriques, comme les moteurs à induction, ont besoin de trois fois plus de watts pour se mettre en route que pour fonctionner. Cette poussée de puissance ne dure que quelques secondes quand on fait démarrer ce type de moteur. Ne pas oublier de tenir compte de cette forte puissance de démarrage quand on choisit les appareils électriques à brancher à la génératrice.
1. Évaluer le nombre de watts nécessaires pour faire démarrer le plus gros moteur.
 2. Ajouter à ce chiffre les watts de fonctionnement de toutes les charges branchées.

Le guide de référence de puissance est fourni pour aider à déterminer le nombre d'appareils que la génératrice peut alimenter à la fois.

REMARQUE :

Tous les chiffres sont approximatifs. Voir l'étiquette des données sur l'appareil pour les besoins de puissance.



2.5 GUIDE DE RÉFÉRENCE DE PUISSANCE

Appareil	Watts (en marche)
* Climatiseur (12 000 Btu)	1700
* Climatiseur (24 000 Btu)	3800
* Climatiseur (40 000 Btu)	6000
Chargeur de batterie (20 A)	500
Ponceuse à bande (3 po)	1000
Scie à chaîne	1200
Scie circulaire (6-1/2 po)	800 à 1000
* Sécheuse (Électrique)	5750
* Sécheuse (Gaz)	700
* Machine à laver le linge	1150
Cafetière	1750
* Compresseur (1 CV)	2000
* Compresseur (3/4 CV)	1800
* Compresseur (1/2 CV)	1400
Fer à friser	700
* Déshumidificateur	650
Ponceuse à disque (9 po)	1200
Coupe-bordure	500
Couverture électrique	400
Pistolet goujonneur électrique	1200
Cuisinière électrique (par élément)	1500
Poêle électrique	1250
* Congélateur	700
* Ventilateur d'appareil de chauffage (3/5 CV)	875
* Ouvre-porte de garage	.500 to 750
Sèche-cheveux	1200
Perceuse	250 à 1100
Taille-haies	450
Clé à chocs	500
Fer	1200
* Pompe à jet	800
Tondeuse à gazon	1200
Ampoule	100
Four à micro-ondes	700 à 1000
* Réfrigérant à lait	1100
Brûleur à mazout sur appareil de chauffage	300
Radiateur électrique portatif à mazout (140 000 Btu)	400
Radiateur électrique portatif à mazout (85 000 Btu)	225
Radiateur électrique portatif à mazout (30 000 Btu)	150
* Pistolet à peinture, sans air comprimé (1/3 CV)	600
Pistolet à peinture, sans air comprimé (à main)	150
Radio	50 à 200
* Réfrigérateur	700
Mijoteuse	200
* Pompe submersible (1-1/2 CV)	2800
* Pompe submersible (1 CV)	2000
* Pompe submersible (1/2 CV)	1500
* Pompe de puisard	800 à 1050
* Table de sciage (10 po)	1750 à 2000
Télévision	200 à 500
Grille-pain	1000 à 1650
Tondeuse à fil	500

* Le démarrage de ces appareils nécessitera trois fois la puissance indiquée exprimée en watts.

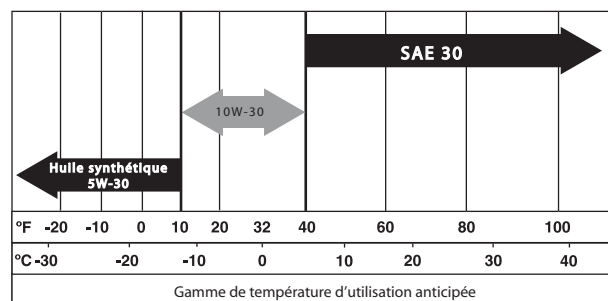
2.6 AVANT LA MISE EN MARCHÉ DE LA GÉNÉRATRICE

Avant d'utiliser la génératrice, il faut ajouter de l'huile et de l'essence comme suit :

2.6.1 AJOUT DE L'HUILE DE MOTEUR

L'huile doit être au moins American Petroleum Institute (API) Service Class SJ, SL ou mieux. N'utiliser aucun additif spécial. Choisir la viscosité de l'huile suivant la température de fonctionnement anticipée (voir aussi le tableau).

- Au dessus de 4 °C (40 °F), utiliser SAE 30
- En dessous de 4 °C (40 °F), et jusqu'à -12 °C (10° F) utiliser 10W-30
- Au dessous de -12 °C (10° F), utiliser de l'huile synthétique 5W-30



⚠ MISE EN GARDE ⚠

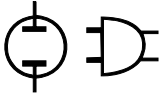
⚠ Toute tentative de mise en route du moteur avant qu'il ait été correctement maintenu avec l'huile recommandée peut entraîner une panne de moteur.

- Mettre la génératrice sur une surface plane.
- Nettoyer autour du bouchon d'huile et enlever le bouchon et la jauge.
- Nettoyer la jauge.
- Remplir lentement le moteur d'huile (au travers de l'ouverture à huile) jusqu'à ce qu'elle atteigne le bas du filetage de la jauge graduée. S'arrêter de remplir de temps en temps pour vérifier le niveau d'huile. **Faire attention de ne pas trop remplir.**
- Remettre le bouchon et serrer avec les doigts.
- À partir de maintenant, vérifier chaque fois le niveau d'huile du moteur avant de mettre en route.

2.6.2 AJOUT DE L'ESSENCE

⚠ DANGER ⚠

⚠ Ne jamais remplir le réservoir à l'intérieur. Ne jamais remplir le réservoir quand le moteur est en route ou chaud. Attendre que le moteur soit complètement refroidi avant de remplir le réservoir. Éviter de renverser de l'essence sur un moteur CHAUD. NE PAS allumer de cigarette et ne pas fumer quand on remplit le réservoir. L'essence est extrêmement INFLAMMABLE et ses vapeurs sont EXPLOSIVES.

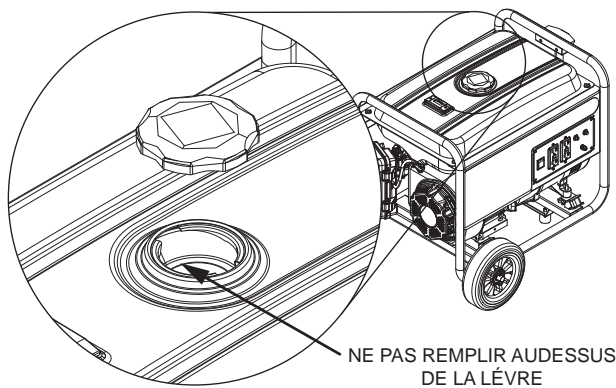


MISE EN GARDE

⚠ Ne pas trop remplir le réservoir de carburant. Toujours laisser de l'espace pour l'expansion du carburant. Si le réservoir est trop rempli, le carburant peut déborder sur un moteur CHAUD et causer un INCENDIE ou une EXPLOSION.

- Utiliser de l'essence ordinaire SANS PLOMB dans le moteur de la génératrice. Ne pas utiliser d'essence ayant plus de 10 % d'éthanol ajouté et ne jamais utiliser d'essence E85. Ne pas mélanger l'huile avec l'essence.
- Nettoyer autour du bouchon, enlever le bouchon.
- Ajouter doucement de l'essence ordinaire sans plomb au réservoir. Remplir jusqu'au fond du filtre à grille. Attention de ne pas trop remplir (Figure 8).
- Mettre le bouchon de carburant et essuyer toute l'essence renversée.

Figure 8 - Réservoir de carburant



IMPORTANT : Il est important d'éviter des parties du système de carburant comme le carburateur, le tuyau de carburant ou le réservoir se gommant quand l'appareil est rangé. Les carburants contenant de l'alcool (appelés gazohol, éthanol ou méthanol) peuvent attirer l'humidité, ce qui amène à la séparation et à la formation d'acides pendant le rangement. Les gaz acides peuvent endommager le système de carburant d'un moteur pendant qu'il est rangé. Pour éviter des problèmes avec le moteur, le système de carburant doit être vidé avant de ranger l'appareil pendant 30 jours ou plus. Voir la section « Rangement ». Ne jamais utiliser de produits de nettoyage de carburateur ou de moteur dans le réservoir de carburant, car ils peuvent causer des dommages permanents.

2.7 DÉMARRAGE DU MOTEUR

AVERTISSEMENT

⚠ Ne jamais mettre en route ou arrêter le moteur avec des appareils électriques branchés dans les prises ET avec les appareils en marche.

- Débrancher toutes les charges électriques des prises de l'appareil avant de mettre le moteur en route.
- S'assurer que l'appareil est à niveau.
- Mettre la soupape d'arrêt sur la position ON (Marche) (Schéma 9).
- Mettre le bouton ON/OFF (Marche/Arrêt) sur ON (Figure 10).

- Mettre le levier de l'ÉTRANGLEUR du moteur sur la position DÉMARRAGE.
- Pour mettre le moteur en route, bien attraper le lanceur et tirer doucement jusqu'à ce qu'on sente une résistance accrue. Tirer rapidement vers le haut et au loin.

REMARQUE :

Si le moteur se déclenche mais ne continue pas à fonctionner, déplacer le levier de l'étrangleur sur START et recommencer en suivant les instructions de mise en route.

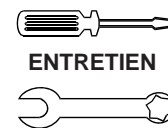
Schéma 9 - Soupape d'arrêt



Figura 10 - Position de létrangleur



IMPORTANT : Ne pas surcharger la génératrice. Ne pas surcharger non plus les prises de panneau individuelles. Ces prises sont protégées contre les surcharges par des disjoncteurs du type « pousser et réenclencher ». Si le nominal d'intensité d'un disjoncteur est dépassé, ce disjoncteur s'ouvre et le débit électrique à cette prise est perdu. Lire attentivement « Ne pas surcharger la génératrice »



2.8 ARRÊT DU MOTEUR

- Éteindre toutes les charges puis les débrancher des prises du panneau de la génératrice. Ne jamais mettre en route ou arrêter le moteur avec des appareils électriques branchés et en marche.
- Laisser tourner le moteur sans charge pendant quelques minutes pour stabiliser les températures internes du moteur et de la génératrice.
- Mettre l'interrupteur ON/OFF (marche/arrêt) sur OFF (marche).
- Fermer la vanne de carburant.

2.9 SYSTÈME D'ARRÊT EN CAS DE FAIBLE NIVEAU D'HUILE

Le moteur est équipé d'un capteur de faible niveau d'huile qui coupe le moteur automatiquement quand le niveau d'huile tombe au dessous d'un niveau spécifié. Si le moteur s'arrête de lui-même et si le réservoir à carburant a assez d'essence, vérifier le niveau d'huile dans le moteur.

2.9.1 DÉTECTION DE FAIBLE NIVEAU D'HUILE

Si le système détecte un niveau d'huile faible pendant le fonctionnement, le moteur s'arrête. Le moteur de fonctionnera pas tant que le réservoir d'huile n'a pas été rempli au niveau correct.

3.1 CALENDRIER D'ENTRETIEN

Suivre les intervalles du calendrier. Un entretien plus fréquent est requis quand l'appareil est utilisé dans les conditions défavorables notées ci-dessous.

Vérifier le niveau d'huile	À chaque utilisation
Changement d'huile +	* Chaque saison
Vérifier le jeu de soupape	*** Chaque saison
Entretien du filtre à air	** Chaque saison
Remettre la bougie	Chaque saison
+ Changer l'huile après les 20 premières heures de fonctionnement puis à chaque saison.	
* Changer l'huile tous les mois lors du fonctionnement sous une charge lourde ou à des températures élevées.	
** Nettoyer plus souvent quand le fonctionnement est dans des conditions sales et poussiéreuses. Remplacer les pièces de filtre à air qui ne peuvent pas être nettoyées correctement.	
*** Vérifier le jeu de soupape. Si nécessaire régler après les 50 premières heures de fonctionnement et toutes les 100 heures ensuite.	

3.2 SPÉCIFICATIONS DU PRODUIT

3.2.1 SPÉCIFICATIONS DE LA GÉNÉRATRICE

Puissance nominal.....	3,25 kW**
Puissance de pointe.....	3,75 kW
Nominal de tension CA.....	120
Courant nominal	27 A**
Fréquence nominale	60 Hz @ 3600 RPM
Phase	Monophasé

** La puissance maximale est soumise à, et limitée par, des facteurs comme contenu Btu du carburant, la température ambiante, l'altitude, la condition du moteur, etc. La puissance maximale diminue d'environ 3,5 % par 1000 pieds au dessus du niveau de la mer et diminue d'environ 1 % par 6°C (10 °F) au dessus d'une température ambiante de 16 °C (60 °F).

3.2.2 SPÉCIFICATIONS DU MOTEUR

Cylindrée	208 cc
Type de bougie	F6TC ou NGK BPR4ES
Écartement des électrodes de bougie.....	0,028-0,031 po ou (0,70-0,80 mm)
Contenance du réservoir d'essence.....	15,14 L (4 gallons U.S.)
Type d'huile	
Voir le tableau dans la section « Avant de mettre la génératrice en route »	
Contenance du réservoir d'huile	0,6 L (0,634 pintes)
Temps de fonctionnement	12,5 heures à 1/2 charge
Émission certifiée Classe II*	
* Le fabricant du moteur doit garantir le système de contrôle d'émission pendant une période de deux ans. Cette couverture de garantie est en plus de la garantie fournie par Generac et peut couvrir le moteur même si la garantie de Generac ne le fait pas	

3.3 RECOMMANDATIONS GÉNÉRALES

La garantie de la génératrice ne couvre pas les articles qui ont été soumis aux abus de l'utilisateur ou à sa négligence. Pour recevoir la pleine valeur de la garantie, l'opérateur doit maintenir la génératrice de la façon indiquée dans ce guide.

Il faut faire certains réglages de temps en temps pour entretenir correctement la génératrice.

Il faut faire tous les réglages de la section entretien de ce guide au moins une fois par saison. Respecter les exigences du « Calendrier d'entretien ».

REMARQUE :

Changer la bougie et le filtre à air une fois par an. Une nouvelle bougie et un filtre à air propre assurent un mélange correct air-carburant et aide le moteur à mieux tourner et à durer plus longtemps.

3.3.1 ENTRETIEN DE LA GÉNÉRATRICE

L'entretien de la génératrice consiste à garder l'appareil propre et sec. Utiliser et ranger l'appareil dans un environnement propre et sec où il ne sera pas exposé à un excès de poussière, de saleté, d'humidité ou de vapeurs corrosives. Les fentes de refroidissement d'air dans la génératrice ne doivent jamais être obstruées par la neige, les feuilles ou tout autre matériau.

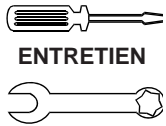
Vérifier souvent la propreté de la génératrice et la nettoyer quand on peut voir de la poussière, de la saleté, de l'huile, de l'humidité et d'autres substances sur sa surface extérieure.

⚠ MISE EN GARDE ⚠

⚠ Ne jamais insérer objets ou outils au travers des fentes de refroidissement par air, même si le moteur ne tourne pas.

REMARQUE :

NE PAS nettoyer la génératrice avec un tuyau de jardin. L'eau peut entrer dans le système de carburant du moteur et causer des problèmes. De plus, si l'eau entre dans la génératrice par les fentes de refroidissement par air, de l'eau peut stagner dans les vides et fissures du rotor et de l'isolant du bobinage du stator. L'accumulation d'eau et de saleté sur le bobinage interne de la génératrice diminuera éventuellement la résistance d'isolation de ces bobinages.



ENTRETIEN

Section 3 — Entretien

Système de génératrice portable

3.3.2 NETTOYAGE DE LA GÉNÉRATRICE

- Utiliser un chiffon humide pour essuyer l'extérieur des surfaces.
- On peut utiliser une brosse douce pour enlever la saleté ou l'huile, etc. agglomérée.
- On peut utiliser un aspirateur pour enlever les débris et la saleté non collés.
- On peut utiliser de l'air comprimé à faible pression (ne pas dépasser 25 psi) pour expulser la saleté. Inspecter les fentes de refroidissement par air et les ouvertures de la génératrice. Il faut garder ces ouvertures propres et sans obstructions.

3.3.3 ENTRETIEN DU MOTEUR

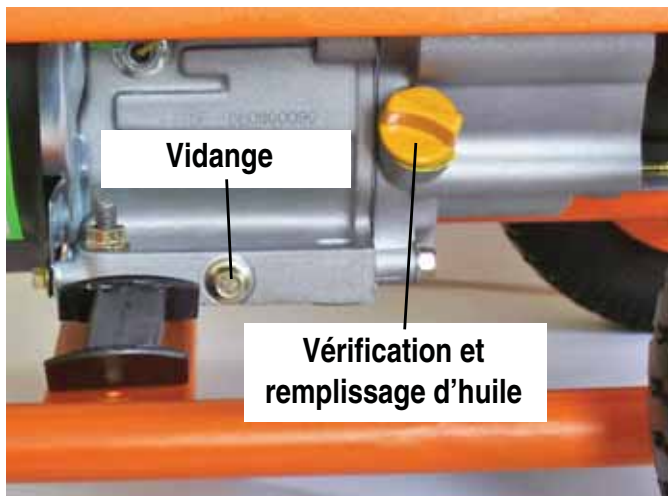


⚠ Toujours débrancher le fil de bougie de la bougie d'allumage et rester à distance de celui-ci en cas de travail sur le générateur.

3.3.4 VÉRIFICATION DU NIVEAU D'HUILE

Voir la section « Avant de mettre la génératrice en route » pour informations sur la vérification du niveau d'huile. Il faut vérifier le niveau d'huile avant chaque utilisation ou au moins toutes les huit heures de fonctionnement. Garder le niveau d'huile (Figure 11).

Figure 11 - Vérification/Vidange et remplissage d'huile



3.3.5 CHANGEMENT DE L'HUILE

Changer l'huile après les huit premières heures de fonctionnement puis toutes les 20 heures après cela. Changer l'huile plus souvent si on utilise l'appareil dans des conditions de saleté et de poussière ou quand il fait extrêmement chaud.



⚠ L'huile chaude peut causer des brûlures. Laisser refroidir le moteur avant de vidanger l'huile. Éviter d'exposer la peau à l'huile usagée d'une façon prolongée ou répétée. Laver soigneusement au savon les zones exposées.

Utiliser les instructions suivantes pour changer l'huile quand le moteur est toujours tiède.

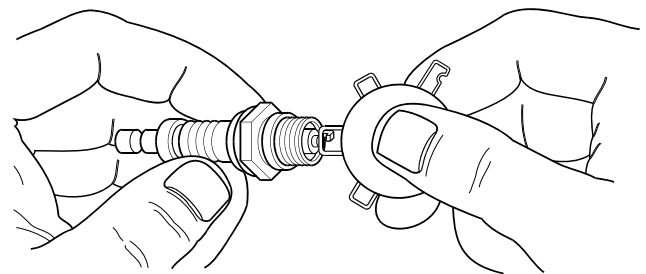
- Nettoyer la zone autour du bouchon de vidange d'huile.
- Enlever le bouchon de vidange du moteur et le bouchon de remplissage d'huile pour vidanger complètement l'huile dans un récipient approprié.
- Une fois l'huile complètement vidangée, mettre le bouchon de vidange et bien serrer.
- Remplir le moteur avec l'huile recommandée. (voir la section « Avant le démarrage du générateur » pour les recommandations sur l'huile à utiliser).
- Essuyer toute l'huile renversée.
- Jeter l'huile usagée dans un centre de ramassage approprié.

3.3.6 REMPLACEMENT DE LA BOUGIE

Utiliser une bougie F6TC ou une NGK BPR4ES. Remplacer la bougie une fois par an. Cela contribuera à faire mieux démarrer et tourner le moteur.

1. Arrêter le moteur et tirer le fil de bougie de la bougie.
2. Nettoyer autour de la bougie et l'enlever de la tête de cylindre.
3. Régler l'écartement à 0,70-0,80 mm (0,028-0,031 po). Placer la bougie avec l'écartement correct dans la tête de cylindre et serrer à 15 pi/lb. (Figure 12).

Figure 12 - Écartement des électrodes de bougie



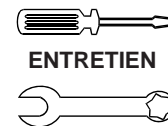
3.3.7 PARE-ÉTINCELLES

1. Éteindre la génératrice et laisser refroidir complètement le moteur et le silencieux avant de toucher le pare-étincelles (situé à l'arrière du silencieux).
2. Enlever la pince et le pare-étincelles.
3. Nettoyer le pare-étincelles avec une petite brosse métallique.
4. Remplacer le pare-étincelles s'il est endommagé.
5. L'installation du pare-étincelles est le contraire de son enlèvement.

3.4 ENTRETIEN DU FILTRE À AIR

Le moteur ne fonctionne pas correctement et peut être endommagé si on utilise un filtre à air sale. Nettoyer le filtre à air une fois par an (Figure 13). Nettoyer et remplacer plus souvent quand on utilise l'appareil dans des conditions poussiéreuses.

- Enlever le couvercle du filtre à air.
- Laver à l'eau savonneuse. Presser le filtre dans un chiffon propre (NE PAS TORDRE).
- Nettoyer le couvercle du filtre à air avant de le remettre.



REMARQUE :

Pour contacter un filtre à air neuf, contacter le centre de réparations autorisé le plus proche en appelant 1 888 436-3722.

Figure 13 - Filtre à air



3.5 JEU DE SOUPAPE

- Admission — $0,10 \pm 0,02$ mm (froid), ($0,003$ po \pm $0,005$ po)
- Échappement — $0,15 \pm 0,02$ mm (froid) ($0,005$ po \pm $0,007$ po)

Après les 50 premières heures de fonctionnement, vérifier le jeu de soupape dans le moteur et régler si nécessaire.

Important: Si l'on n'est pas à l'aise pour faire cette procédure ou si les outils appropriés ne sont pas disponibles, apporter la génératrice au centre de réparations le plus proche pour faire régler le jeu de soupape. C'est une étape très importante qui assure la vie utile la plus longue possible du moteur.

3.6 GÉNÉRALITÉS

Il faut mettre en route la génératrice au moins une fois tous les sept jours et la laisser tourner pendant au moins 30 minutes. Si cela n'est pas possible et s'il faut ranger l'appareil pendant plus de 30 jours, utiliser les informations suivantes comme guide à la préparation pour le rangement.



- ⚠ **NE JAMAIS** ranger le moteur avec du carburant dans le réservoir à l'intérieur, dans un endroit mal aéré où les émanations peuvent atteindre une flamme nue, une étincelle ou une veilleuse comme dans le cas d'un système de chauffage, d'un chauffe-eau, d'un sèche-linge ou d'un autre appareil à gaz.

3.7 RANGEMENT À LONG TERME

Il est important d'empêcher que se gommement les pièces essentielles du système de carburant comme le carburateur, le tuyau de carburant ou le réservoir quand l'appareil est rangé. L'expérience montre également que les carburants à alcool (appelés gazohol, éthanol ou méthanol) peuvent attirer l'humidité, ce qui amène à la séparation et à la formation d'acides pendant le rangement. Les gaz acides peuvent endommager le système de carburant d'un moteur pendant qu'il est rangé.

Pour éviter des problèmes avec le moteur, le système de carburant doit être vidé avant de ranger l'appareil pendant 30 jours ou plus comme suit

- Enlever toute l'essence du réservoir.



- ⚠ **Vidanger le carburant à l'extérieur, dans un récipient approuvé et loin d'une flamme nue. S'assurer que le moteur est froid. Ne pas fumer.**

- Mettre en route et faire tourner le moteur jusqu'à ce qu'il s'arrête par manque de carburant.
- Pendant que le moteur est toujours tiède, vidanger l'huile du carter. Remplir avec le type d'huile recommandé.
- Enlever les bougies et verser environ ½ once (15 ml) d'huile de moteur dans les cylindres. Couvrir le trou de la bougie avec un chiffon. Tirer le lanceur une fois ou deux pour lubrifier les segments de piston et l'alésage du cylindre.



- ⚠ **Éviter la vaporisation des trous de bougies quand on lance le moteur.**

- Installer et serrer les bougies. Ne pas brancher les fils de bougies.
- Nettoyer les surfaces extérieures de la génératrice. Vérifier que les fentes de refroidissement par air et les ouvertures sur la génératrice sont ouvertes et non obstruées.
- Ranger l'appareil dans un endroit sec et propre.

3.8 AUTRES CONSEILS SUR LE RANGEMENT

- Ne pas stocker de l'essence d'une saison à l'autre.
- Remplacer le bidon d'essence s'il commence à se rouiller. Rouille et/ou saleté dans l'essence causeront des problèmes avec le carburateur et le système de carburant.
- Si possible, ranger l'appareil à l'intérieur et le couvrir pour le protéger de la poussière et de la saleté. **NE PAS OUBLIER DE VIDER LE RÉSERVOIR DE CARBURANT.**
- S'il n'est pas pratique de vider le réservoir de carburant et si l'appareil doit être rangé pendant un certain temps, ajouter un stabilisateur de carburant du commerce à l'essence pour augmenter la vie utile de l'essence.
- Couvrir l'appareil de façon appropriée qui ne retienne pas l'humidité.



- ⚠ **NE JAMAIS** couvrir la génératrice tant que le moteur et l'échappement sont encore chauds.



4.1 GUIDE DE RÉPARATIONS

PROBLÈME	CAUSE	CORRECTION
Le moteur tourne mais aucune sortie CA n'est disponible.	<ol style="list-style-type: none"> 1. Le disjoncteur est ouvert. 2. Mauvaise connexion ou cordon électrique défectueux. 3. L'appareil branché ne fonctionne pas. 4. Problème avec la génératrice. 	<ol style="list-style-type: none"> 1. Remettre le disjoncteur. 2. Vérifier et réparer. 3. Brancher un autre appareil en bon état. 4. Contacter un réparateur autorisé.
Le moteur tourne bien mais piétine quand les charges sont connectées.	<ol style="list-style-type: none"> 1. Court-circuit dans une charge connectée. 2. La génératrice est surchargée. 3. La vitesse du moteur est trop lente. 4. Court-circuit de la génératrice. 	<ol style="list-style-type: none"> 1. Débrancher la charge électrique court-circuitée. 2. Voir « Ne pas surcharger la génératrice ». 3. Contacter un réparateur autorisé. 4. Contacter un réparateur autorisé.
Le moteur ne démarre pas, ou démarre et marche mal.	<ol style="list-style-type: none"> 1. Filtre à air sale. 2. Panne d'essence. 3. Essence trop vieille. 4. Fil de bougie pas branché à la bougie. 5. Bougie défectueuse. 6. Eau dans l'essence. 7. Étrangleur trop fermé 8. Niveau d'huile bas. 9. Mélange de carburant trop riche 10. Soupape d'admission coincée en position ouverte ou fermée. 11. Le moteur a perdu la compression 	<ol style="list-style-type: none"> 1. Nettoyer ou remplacer le filtre à air. 2. Remplir le réservoir à carburant. 3. Vidanger le réservoir et remplir avec du carburant neuf. 4. Brancher le fil à la bougie. 5. Remettre la bougie 6. Vidanger le réservoir et remplir avec du carburant neuf. 7. Mettre le bouton de l'étrangleur sur la position « No Choke ». 8. Remplir le carter au niveau correct. 9. Contacter un réparateur autorisé. 10. Contacter un réparateur autorisé. 11. Contacter un réparateur autorisé.
Le moteur s'arrête pendant utilisation.	<ol style="list-style-type: none"> 1. Panne d'essence. 2. Niveau d'huile bas. 3. Problème dans le moteur. 	<ol style="list-style-type: none"> 1. Remplir le réservoir à carburant. 2. Remplir le carter au niveau correct. 3. Contacter un réparateur autorisé.
Le moteur n'est pas assez puissant.	<ol style="list-style-type: none"> 1. La charge est trop élevée. 2. Filtre à air sale. 3. Il faut faire réparer le moteur. 	<ol style="list-style-type: none"> 1. Voir « Ne pas surcharger la génératrice ». 2. Remettre le filtre à air. 3. Contacter un réparateur autorisé.
Le moteur fait des à-coups ou défile.	<ol style="list-style-type: none"> 1. L'étrangleur a été ouvert trop tôt. 2. Le carburateur est trop riche ou pas assez... 	<ol style="list-style-type: none"> 1. Mettre l'étrangleur à mi-chemin jusqu'à ce que le moteur tourne sans heurts. 2. Contacter un réparateur autorisé.

REMARQUES

Section 5 — Remarques

Lined area for handwritten notes and remarks.



ÉNONCÉ DE LA GARANTIE FÉDÉRALE ET DE L'ÉTAT DE CALIFORNIE DU CONTRÔLE DES ÉMISSIONS VOS DROITS ET OBLIGATIONS DE GARANTIE

Le California Air Resources Board (CARB) et l'Agence pour la Protection de l'Environnement (EPA) ainsi que Generac Power Systems, Inc. (Generac), sont heureux de vous expliquer ce qu'est la garantie du Système de Contrôle des Émissions de votre nouveau générateur 2008 et ultérieur. Le nouvel équipement utilise des petits moteurs à allumage commandé doivent être conçus, construits et équipés dans le respect des normes nationales rigoureuses en matière de pollution pour l'État de Californie et le gouvernement fédéral. Generac garantira le système de contrôle des émissions de votre générateur pour les périodes indiquées ci-après, en l'absence d'acte abusif, de négligence, de modification non approuvée ou de maintenance inadaptée de votre équipement.

Votre système de contrôle des émissions pourra comprendre certaines pièces telles que : le carburateur, le système d'allumage, le pot catalytique, le réservoir d'essence, les tuyaux de carburant, le bouchon du réservoir d'essence, les soupapes, le réservoir à charbon actif, les filtres, les tuyaux de vapeur, les colliers, les connecteurs et d'autres composants relatifs aux émissions associés (le cas échéant).

COUVERTURE DE GARANTIE DU FABRICANT :

Ce système de contrôle des émissions est garanti pendant une durée de deux ans. Si un composant ou système de votre équipement relatif aux émissions comporte une pièce défectueuse ou présente un défaut de fabrication pendant la durée de la garantie, les réparations ou remplacements de pièces seront effectués par un dépositaire d'entretien de garantie agréé par Generac.

RESPONSABILITÉS DE GARANTIE DU PROPRIÉTAIRE :

En tant que propriétaire du générateur, vous êtes responsable de la réalisation de toute la maintenance nécessaire telle que listée dans le manuel d'entretien qui vous a été remis par l'usine. Aux fins de la garantie, Generac vous recommande de conserver tous les reçus relatifs à la maintenance effectuée sur votre générateur, mais Generac ne peut pas refuser la garantie uniquement en raison de la non-présentation des reçus.

En tant que propriétaire du générateur, vous devez cependant savoir que Generac pourra refuser tout et / ou partie de la couverture de la garantie ou de la responsabilité si votre générateur et / ou toute pièce de celui-ci ne fonctionne plus du fait d'un usage abusif, d'une négligence, d'une mauvaise maintenance ou de modifications non approuvées, ou de l'utilisation de pièces contrefaites et / ou provenant de l'économie souterraine n'ayant pas été fabriquées, fournies ou approuvées par Generac.

Vous êtes chargé de contacter un dépositaire de garantie agréé par Generac dès qu'un problème se présente. Les réparations effectuées dans le cadre de la garantie devront être faites dans une période raisonnable, inférieure à 30 jours.

Le service de garantie peut être organisé en contactant votre dépositaire ou un dépositaire de service de garantie agréé par Generac. Pour connaître le dépositaire de service de garantie agréé par Generac situé le plus près, appeler notre numéro gratuit :

1-800-333-1322

REMARQUE IMPORTANTE : Cette déclaration de garantie explique vos droits et obligations dans le cadre de la garantie du Système de Contrôle des Émissions (garantie du SCE) qui vous est fournie par Generac conformément à la loi de l'État de Californie et à la loi fédérale. Consulter également les « Garanties limitées de Generac pour Generac Power Systems, Inc. » jointes au présent document sur un feuillet séparé, qui vous est également remis par Generac. Veuillez noter que la présente garantie ne s'applique pas aux dommages accessoires, importants ou indirects causés par des défaillances matérielles ou de fabrication, ou par tout retard de réparation ou de remplacement de la ou des pièce(s) défectueuses. La présente garantie remplace toutes les autres garanties, implicites ou explicites. En particulier, Generac n'émet aucune garantie de conformité ou d'usage pour un objectif particulier. Certains états ne permettent pas de poser une limite à la durée de la garantie implicite, la limite susmentionnée ne s'applique donc pas à ces derniers.

La garantie du SCE ne s'applique **qu'**au système de contrôle des émissions de votre nouvel équipement. En cas de conflit au niveau des termes de la présente garantie du SCE et de la garantie Generac, la garantie de Generac prévaudra. Les garanties du SCE et de Generac décrivent les droits et obligations importantes relatives à votre nouvel équipement.

Le service de garantie ne peut être réalisé que par une entreprise de service agréée par Generac. En cas de demande du service de garantie, des preuves mentionnant la date de vente à l'acquéreur / au propriétaire d'origine doivent être présentées.

Pour toute question concernant vos droits et responsabilités de garantie, merci de contacter Generac à l'adresse suivante :

**ATTENTION WARRANTY DEPARTMENT
GENERAC POWER SYSTEMS, INC.
P.O. BOX 297 • WHITEWATER, WI 53190**



GARANTIE DU SYSTÈME DE CONTRÔLE DES ÉMISSIONS

Garantie du Système de Contrôle des Émissions (garantie du SCE) pour l'équipement utilisant de petits moteurs à allumage commandé :

- (a) **Applicabilité** : La présente garantie s'applique à l'équipement qui utilise de petits moteurs hors route. La période de la garantie du SCE commencera à la date d'achat / de livraison du nouvel équipement à son acquéreur / propriétaire d'origine, final, et durera pendant les 24 mois suivant ladite date.
- (b) **Couverture de la garantie générale des émissions** : Generac garantit à l'acquéreur / au propriétaire d'origine, final, du nouveau moteur ou équipement et à chacun des acquéreurs / propriétaires suivant que lorsqu'il est installé le SCE :
- (1) Est conçu, construit et équipé dans le respect de toutes les réglementations applicables ; et
 - (2) Ne comporte aucune pièce défectueuse ni ne présente aucun défaut de fabrication à tout moment de la période de garantie du SCE.
- (c) La garantie sur les pièces relatives aux émissions sera interprétée de la façon suivante :
- (1) Toute pièce garantie, dont le remplacement n'est pas prévu au cours des maintenances obligatoires mentionnées dans le Manuel d'entretien sera garantie pour toute la durée de la Garantie du SCE. Si l'une de ces pièces devient défectueuse pendant la durée de la Garantie du SCE, elle sera réparée ou remplacée par Generac conformément au paragraphe (4) qui suit. Ces pièces réparées ou remplacées dans le cadre de la Garantie du SCE seront garanties pour le reste de la durée de la Garantie du SCE.
 - (2) Toute pièce garantie dont il est prévu une inspection régulière dans le Manuel d'entretien sera garantie pendant toute la durée de la Garantie du SCE. Toute déclaration au niveau du Manuel d'entretien et relative à l'effet de « réparation ou remplacement si nécessaire » ne réduira pas la durée de la Garantie du SCE. Ces pièces réparées ou remplacées dans le cadre de la Garantie du SCE seront garanties pour le reste de la durée de la Garantie du SCE.
 - (3) Toute pièce garantie, dont le remplacement est pas prévu au cours des maintenances obligatoires mentionnées dans le Manuel d'entretien sera garantie pour la période précédant la date du premier remplacement prévu. Si la pièce devient défectueuse avant le premier remplacement prévu, elle sera réparée ou remplacée par Generac, conformément au paragraphe (4) qui suit. Ces pièces relatives aux émissions réparées ou remplacées dans le cadre de la Garantie du SCE seront garanties pour le reste de la durée précédant la date de leur premier remplacement prévu.
 - (4) La réparation ou le remplacement de toute pièce relative aux émissions et garantie dans le cadre de la Garantie du SCE sera réalisé sans frais pour le propriétaire dans un service de garantie agréé par Generac.
 - (5) Nonobstant les dispositions de la sous-section (4) ci-dessus, les services ou réparations sous garantie doivent être effectués aux centres d'entretien agréés Generac.
 - (6) Si le moteur est inspecté par un service de garantie agréé par Generac, les frais de diagnostic ne seront pas à la charge de l'acquéreur / du propriétaire si la réparation entre dans le cadre de la garantie.
 - (7) Generac est tenu, pendant la durée de la Garantie du SCE, de conserver un stock de pièces relatives aux émissions et garanties suffisant afin de répondre à la demande desdites pièces.
 - (8) Toute pièce de rechange relative aux émissions agréée et approuvée par Generac pourra être utilisée pour la réalisation de toute maintenance ou réparation effectuée dans le cadre de la garantie du SCE et sera fournie sans frais à la charge de l'acquéreur / du propriétaire. Cette utilisation ne réduira pas les obligations de Generac dans le cadre de la Garantie du SCE.
 - (9) Toute pièce non approuvée, ajoutée, modifiée, contrefaite et / provenant de l'économie souterraine ne pourra pas être utilisée afin de modifier ou de réparer un moteur Generac. L'utilisation de telles pièces annule la Garantie du SCE et constituera un motif suffisant pour rejeter toute demande de bénéfice de la Garantie du SCE. Generac ne sera pas responsable des défaillances des pièces garanties d'un équipement Generac dues à l'utilisation de pièces non approuvées, ajoutées, modifiées contrefaites et / ou provenant de l'économie souterraine.

LES PIÈCES RELATIVES AUX ÉMISSIONS PEUVENT INCLURE CE QUI SUIT (LE CAS ÉCHÉANT) :

- | | |
|--|-----------------------------------|
| 1) SYSTÈME DE CARBURANT | 3) SYSTÈME DE DOSAGE DU CARBURANT |
| A. RÉSERVOIR D'ESSENCE | A. CARBURATEUR ET PIÈCES INTERNES |
| B. BOUCHON DU RÉSERVOIR D'ESSENCE | B. RÉGULATEUR DE PRESSIION |
| C. TUYAU DE CARBURANT | 4) SYSTÈME D'INDUCTION D'AIR |
| D. RACCORDES DE TUYAU DE CARBURANT | A. COLLECTEUR D'ADMISSION |
| E. COLLIERES* | B. FILTRE À AIR |
| F. SOUPAPES DE DÉCHARGE* | 5) SYSTÈME D'ALLUMAGE |
| 2) SYSTÈME DE CONTRÔLE PAR ÉVAPORATION | A. BOUGIES D'ALLUMAGE |
| A. RÉSERVOIR À CHARBON ACTIF | B. BOBINES / MODULE D'ALLUMAGE |
| B. SUPPORTS DE FIXATION DU RÉSERVOIR | 6) SYSTÈME D'INJECTION D'AIR |
| C. PORT DE PURGE DU CARBURATEUR | A. VANNE À IMPULSION D'AIR |
| D. SOUPAPES DE COMMANDE* | 7) SYSTÈME D'ÉCHAPPEMENT |
| E. TUYAUX DE VAPEUR | A. CATALYSEUR |
| F. SOUPAPES DE PURGE | B. RÉACTEUR THERMIQUE |
| G. SÉPARATEUR LIQUIDE / VAPEUR | C. COLLECTEUR D'ÉCHAPPEMENT |
| H. MEMBRANES DE DÉPRESSION* | |

*REMARQUE : Lorsqu'ils sont associés au système de contrôle des émissions.



GARANTIE LIMITÉE DE DEUX ANS DE GENERAC POWER SYSTEMS POUR LES GÉNÉRATRICES PORTABLES DE LA SÉRIE GP

Generac Power Systems, Inc. (Generac), pendant une période de deux ans à partir de la date d'achat, garantit que ses génératrices de la série GP ne contiendront aucun défaut de façon et de matériaux pour les articles et la période indiqués ci-dessous. Generac, à son gré, réparera ou remplacera toute pièce qu'après examen, inspection et test par Generac ou par un réparateur sous garantie autorisé par Generac, s'avère défectueuse. Tout appareil que l'acheteur/propriétaire déclare défectueux doit être retourné et examiné par le réparateur le plus proche sous garantie autorisé de Generac. Tous les frais de transport sous garantie, y compris le retour à l'usine, sont la responsabilité de l'acheteur/propriétaire et doivent être prépayés par lui. Cette garantie ne s'applique qu'aux génératrices portables de la Série GP de Generac et n'est pas transférable au-delà de l'acheteur d'origine. Conserver son reçu de preuve d'achat. Si la preuve de date initiale d'achat n'est pas fournie, la date d'expédition du produit par le fabricant sera utilisée pour déterminer la période de garantie.

CALENDRIER DE GARANTIE

L'utilisation par le consommateur est garantie pendant deux (2) ans. L'utilisation commerciale ou de location est garantie pendant la première occurrence d'un (1) an ou d'un maximum de 1 000 heures.

UTILISATION PAR LE CONSOMMATEUR

PREMIÈRE et DEUXIÈME ANNÉE – couverture 100 % (cent pour cent) de main d'œuvre et de pièce(s) listée(s) (preuve d'achat et d'entretien requise) :

- Moteur - Toutes les composantes
- Alternateur - Toutes les composantes

UTILISATION COMMERCIALE/LOCATION

PREMIÈRE ANNÉE – couverture 100 % (cent pour cent) de main d'œuvre et de pièce(s) listée(s) (preuve d'achat et d'entretien requise) :

- Moteur - Toutes les composantes
- Alternateur - Toutes les composantes

REMARQUE : Dans le cadre de cette garantie « utilisation par le consommateur », signifie une résidence personnelle ou une utilisation récréative par l'acheteur d'origine. Cette garantie ne s'applique pas aux appareils utilisés pour alimentation en courant principale à la place du secteur là où le secteur existe ou là où le secteur n'existe pas normalement. En ce qui concerne cette garantie, une fois que la génératrice a été utilisée commercialement ou pour location, elle ne sera pas désormais considérée comme une génératrice de consommateur.

Toutes les allocations pour frais sous garantie sont soumises aux conditions indiquées dans le manuel Politique de Garantie de Generac, Procédures et Forfait.

CETTE GARANTIE NE S'APPLIQUERA PAS À CE QUI SUIT :

- Les génératrices portables fabriqués par Generac avant de mai 2008.
- Les génératrices portables de Generac qui utilisent des pièces de rechange non Generac.
- Frais d'entretien et de réglage normaux.
- Défaillances causées par des huiles et des carburants contaminés ou huile qui n'est pas à son niveau correct.
- Réparations ou diagnostics faits par des personnes autres que les dépositaires autorisés Guardian/Generac non autorisés par écrit par Generac Power Systems.
- Défaillances causées, entre autres, par l'usure normale, des accidents, le mauvais usage, l'abus, la négligence ou l'utilisation incorrecte. Comme avec tous les appareils mécaniques, les pièces des moteurs Generac doivent périodiquement être réparées ou remplacées pour que le moteur fonctionne comme prévu. Cette garantie ne couvre pas les réparations quand, après utilisation normale, une pièce ou un moteur est à la fin de sa vie utile.
- Défaillances causées par des causes externes ou calamités naturelles comme collisions, vols, vandalisme, émeutes ou guerres, cataclysme nucléaire, incendie, gel, foudre, tremblement de terre, tempête de vent, grêle, éruption volcanique, eau ou inondation, tornade ou ouragan.
- Dommages causés par des rongeurs et/ou des insectes.
- Les appareils qui sont modifiés ou altérés d'une façon que Generac n'a pas autorisée par écrit.
- Tout dommage accessoire ou indirect causé par des défauts de matériaux ou de façon, ou tout délai dans la réparation ou le remplacement de(s) pièce(s) défectueuse(s).
- Défaillance causée par une mauvaise utilisation.
- Frais de téléphone, téléphone cellulaire, télécopies, accès à l'internet ou d'autres communications.
- Frais de résidence ou de voyage de réparateur(s), sauf quand ils sont spécifiquement inclus dans les clauses de la période de garantie d'un appareil spécifique.
- Frais liés à « l'instruction consommateur » ou réparations quand aucun défaut de fabrication n'est trouvé.
- Matériel loué utilisé pendant que les réparations sous garantie sont faites.
- Frais d'expédition sous 24 heures ou d'expédition spéciale pour pièce(s) de rechange.
- Heures supplémentaires, jours fériés ou travail d'urgence.
- Batteries de démarrage, fusibles, ampoules et fluides de moteur.

CETTE GARANTIE REMPLACE TOUTES LES AUTRES GARANTIES, EXPLICITES OU IMPLICITES. SPÉCIFIQUEMENT, GENERAC N'OFFRE AUCUNE GARANTIE DE QUALITÉ MARCHANDE OU D'APTITUDE À UN EMPLOI PARTICULIER. Certains États ne permettent pas de limiter la durée d'une garantie implicite. La limitation ci-dessus peut donc ne pas s'appliquer à vous. LA SEULE RESPONSABILITÉ DE GENERAC SERA DE RÉPARER OU DE REMPLACER LA(LES) PIÈCE(S) COMME INDIQUÉ CI-DESSUS. GENERAC NE SERA EN AUCUN CAS RESPONSABLE POUR DES DOMMAGES ACCESSOIRES OU INDIRECTS, MÊME SI CES DOMMAGES SONT LE RÉSULTAT DIRECT DE LA NÉGLIGENCE DE GENERAC. Certains États ne reconnaissent pas l'exception ni la restriction des dommages accessoires ou indirects. Il se peut que la restriction précédente ne vous concerne pas. Cette garantie vous donne des droits spécifiques. Vous avez aussi d'autres droits qui varient d'un État à l'autre.

GENERAC POWER SYSTEMS, INC.

P.O. BOX 8 • Waukesha, WI 53187

Tél. : (888) GENERAC (436-3722) • Télécopieur : (262) 544-4851

Pour trouver le dépositaire autorisé le plus proche, visitez notre site Web www.generac.com