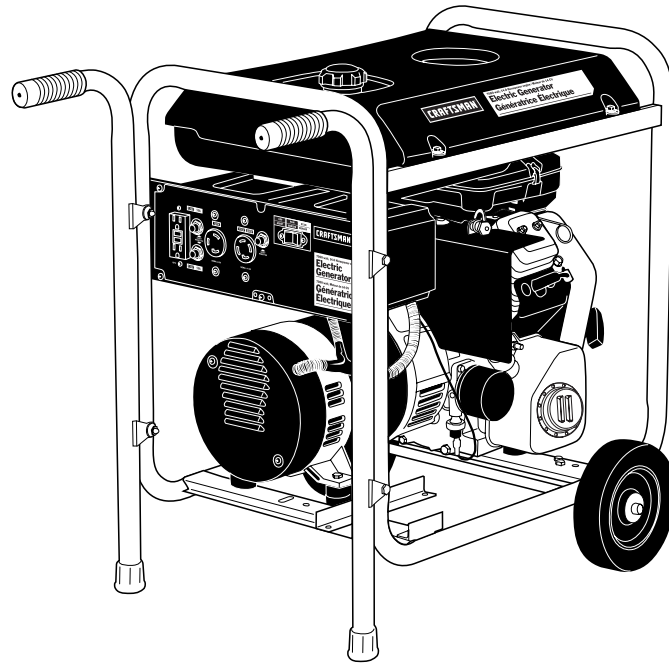


# SEARS

Model No.  
**919.670070**



## CRAFTSMAN

**120/240 VOLT • 7000 WATT  
GENERATOR**

**IMPORTANT:**

**Read the Safety Guidelines  
and All Instructions Carefully  
Before Operating**

- SAFETY GUIDELINES
- ASSEMBLY
- OPERATION
- MAINTENANCE
- TROUBLESHOOTING
- REPAIR PARTS

---

**Sold by Sears Canada, Inc., Toronto, Ont. M5B2B8**

---

# TABLE OF CONTENTS

Warranty .....	2	Storage .....	20
Safety Guidelines .....	3-8	Troubleshooting Guide .....	21
Assembly .....	9-12	Emissions Statement .....	22
Operation .....	13-17	Generator Parts .....	23-29
Maintenance .....	17-20	Engine Parts .....	30-36
Service Adjustments .....	20	How To Order Parts .....	Back Cover

DATE PURCHASED: \_\_\_\_\_

MODEL NO: \_\_\_\_\_

SERIAL NO: \_\_\_\_\_

STORE WHERE PURCHASED: \_\_\_\_\_

ADDRESS: \_\_\_\_\_

CITY: \_\_\_\_\_

TELEPHONE: \_\_\_\_\_

Record the above information about your unit so that you will be able to provide it in case of loss or theft.

<b>HORSE POWER</b>	<b>14 HP</b>
<b>GASOLINE CAPACITY</b>	<b>7 GALLON/26.5 LITERS</b>
<b>OIL CAPACITY</b>	<b>48 OZ./1.4 LITERS</b>

## MAINTENANCE AGREEMENT

The Craftsman Warranty, plus a Maintenance Agreement, provide maximum value for your Sears products. Contact your nearest Sears store for details.

## CUSTOMER RESPONSIBILITIES

Read and observe the safety rules.

Follow a regular schedule in maintaining, caring for and using your generator.

Follow the instructions under "Customer Responsibilities" and "Storage" sections of this owner's manual.

## FULL ONE YEAR WARRANTY ON CRAFTSMAN GENERATORS

For one year from the date of purchase, when this Craftsman generator is maintained and operated according to the instructions in this owner's manual, Sears will repair, free of charge, any defect in material and workmanship.

If your Craftsman Generator is used for commercial or rental purposes, this warranty applies for only 90 days from the original date of purchase.

## FULL ONE YEAR WARRANTY ON CRAFTSMAN ENGINE

For one year from the date of purchase, when this Craftsman engine is maintained and operated according to the instructions in this owner's manual, Sears will repair, free of charge, any defect in material and workmanship.

If your Craftsman engine is used for commercial or rental purposes, this warranty applies only for 90 days from the date of purchase. This warranty does not cover: Expendable items such as spark plugs and air filters, which become worn during normal use.

Repairs necessary because of operator abuse or negligence, including damage resulting from no oil being supplied to the engine or failure to maintain the equipment according to the instructions contained in this owner's manual, are not covered under warranty.

WARRANTY SERVICE IS AVAILABLE BY RETURNING THE GENERATOR TO THE NEAREST SEARS SERVICE CENTER. This warranty gives you specific legal rights and you may also have other rights, which vary from PROVINCE TO PROVINCE.

**Sold by Sears Canada, Inc., Toronto, Ont.**

# SAFETY GUIDELINES - DEFINITIONS

This manual contains information that is important for you to know and understand. This information relates to protecting **YOUR SAFETY** and **PREVENTING EQUIPMENT PROBLEMS**. To help you recognize this information, we use the symbols to the right. Please read the manual and pay attention to these sections.

<b>⚠ DANGER</b>	<b>⚠ CAUTION</b>
<b>DANGER</b> indicates an imminently hazardous situation which, if not avoided, will result in <b>death or serious injury</b> .	<b>CAUTION</b> indicates a potentially hazardous situation which, if not avoided, <b>may</b> result in <b>minor or moderate injury</b> .
<b>⚠ WARNING</b>	<b>CAUTION</b>
<b>WARNING</b> indicates a potentially hazardous situation which, if not avoided, <b>could</b> result in <b>death of serious injury</b> .	<b>CAUTION</b> used without the safety alert symbol indicates a potentially hazardous situation which, if not avoided, <b>may</b> result in <b>property damage</b> .

**This product is not equipped with a spark arresting muffler.** If the product will be used around flammable materials, or on land covered with materials such as agricultural crops, forest, brush, grass, or other similar items, then an approved spark arrester must be installed and is legally required in the state of California. It is a violation of California statutes section 130050 and/or sections 4442 and 4443 of the California Public Resources Code, unless the engine is equipped with a spark arrester, as defined in section 4442, and maintained in effective working order. Spark arresters are also required on some U. S. Forest service land and may also be legally required under other statutes and ordinances.

**⚠ WARNING** This product may contain chemicals known to the state of California to cause cancer, birth defects, or other reproductive harm. This warning is given in compliance with California Proposition 65, as detectable amounts of chemicals subject to proposition 65 may be contained in this product.

## IMPORTANT SAFETY INSTRUCTIONS



• **SAVE THESE INSTRUCTIONS** •

**⚠ WARNING**

When using this product basic precautions should always be followed including the following:

**⚠ DANGER**

**RISK OF ELECTROCUTION AND FIRE**





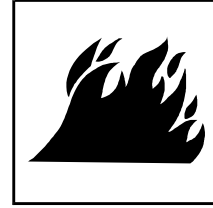


HAZARD	WHAT COULD HAPPEN	HOW TO PREVENT IT
<p>Attempting to connect generator directly to the electrical system of any building structure.</p>	<p>Back feeding electricity through a building's electrical system to the outside utility feed lines could endanger repair persons attempting to restore service.</p> <p>Attempting to connect to the incoming utility service could result in electrocution.</p> <p>Restoration of electrical service while the generator is connected to the incoming utility could result in a fire or serious damage if a isolator switch is not installed.</p> <p>Failure to use a double throw transfer switch when connecting to a structures electrical system can damage appliances and <b>WILL VOID</b> the manufacturers warranty.</p>	<p>Never backfeed electricity through a structure's electrical system.</p> <p>To connect to a structure's electrical system in a safe manner, always have a Double-Throw Transfer Switch installed by a qualified electrician and in compliance with local ordinances. <b>(When installing a Double-Throw Transfer Switch, a minimum of 10 gauge wiring must be used.)</b></p>

**READ AND UNDERSTAND ALL WARNINGS BEFORE  
ATTEMPTING TO OPERATE GENERATOR.**

**⚠ DANGER**

**RISK OF ELECTROCUTION AND FIRE (cont'd)**



HAZARD	WHAT COULD HAPPEN	HOW TO PREVENT IT
<p>Operation of generator in rain, wet, icy, or flooded conditions.</p>	<p>Water is an excellent conductor of electricity! Water which comes in contact with electrically charged components can transmit electricity to the frame and other surfaces, resulting in electrical shock to anyone contacting them.</p>	<p>Operate generator in a clean, dry, well ventilated area. Make sure hands are dry before touching unit.</p>
<p>Use of worn damaged, undersized or ungrounded extension cords.</p>	<p>Contact with worn or damaged extension cords could result in electrocution.</p> <p>Use of undersize extension cords could result in overheating of the wires or attached items, resulting in fire.</p> <p>Use of ungrounded cordsets could prevent operation of circuit breakers and result in electrical shock.</p>	<p>Inspect extension cords before use and replace with new cord if required.</p> <p>Use proper size (wire gauge) cordset for application see chart in the Assembly section of this manual.</p> <p>Always use a cordset having a grounding wire with an appropriate grounding plug. DO NOT use an ungrounded plug.</p>
<p>Placing generator on or against highly conductive surface, such as a steel walkway or metal roof.</p>	<p>Accidental leakage of electrical current could charge conductive surfaces in contact with the generator.</p>	<p>Place generator on low conductivity surface such as a concrete slab.</p> <p>ALWAYS operate generator a minimum of six feet from any conductive surface.</p>
<p>Improper connection of items to generator.</p>	<p>Exceeding the load capacity of the generator by attaching too many items, or items with very high load ratings to it could result in overheating of some items or their attachment wiring resulting in fire or electrical shock.</p>	<p>Read the load rating chart and instructions in the Wattage Calculation section. Make sure that the summation of electrical loads for all attachments does not exceed the load rating of the generator.</p>
<p>Operation of unit when damaged, or with guards or panels removed.</p>	<p>Attempting to use the unit when it has been damaged, or when it is not functioning normally could result in fire or electrocution.</p> <p>Removal of guarding could expose electrically charged components and result in electrocution.</p>	<p>Do not operate generator with mechanical or electrical problem. Have unit repaired by an Authorized Service Center.</p> <p>Do not operate generator with protective guarding removed.</p>

**READ AND UNDERSTAND ALL WARNINGS BEFORE  
ATTEMPTING TO OPERATE GENERATOR.**

**⚠ WARNING  
RISK OF FIRE**



<b>HAZARD</b>	<b>WHAT COULD HAPPEN</b>	<b>HOW TO PREVENT IT</b>
Attempting to fill the fuel tank while the engine is running.	Gasoline and gasoline vapors can become ignited by coming in contact with hot components such as the muffler, engine exhaust gases, or from an electrical spark.	Turn engine off and allow it to cool before adding fuel to the tank. Equip area of operation with a fire extinguisher certified to handle gasoline or fuel fires.
Sparks, fire, hot objects	Cigarettes, sparks, fires, or other hot objects can cause gasoline or gasoline vapors to ignite.	Add fuel to tank in well ventilated area. Make sure there are no sources of ignition near the generator.
Improper storage of fuel	Improperly stored fuel could lead to accidental ignition. Fuel improperly secured could get into the hands of children or other unqualified persons.	Store fuel in a OSHA approved container designed to hold gasoline. Store container in secure location to prevent use by others.
Inadequate ventilation for generator	Materials placed against or near the generator or operating the generator in areas where the temperature exceeds 104° F. ambient (such as storage rooms or garages) can interfere with its proper ventilation features causing overheating and possible ignition of the materials or buildings.	Operate generator in a clean, dry, well ventilated area a minimum of four feet from any building, object or wall. <b>DO NOT OPERATE UNIT INDOORS OR IN ANY CONFINED AREA.</b>
Tampering with factory set engine speed settings.	Engine speed has been factory set to provide safe operation. Tampering with the engine speed adjustment could result in overheating of attachments and could cause a fire.	Never attempt to “ <b>speed-up</b> ” the engine to obtain more performance. Both the output voltage and frequency will be thrown out of standard by this practice, endangering attachments and the user.
Overfilling the fuel tank – fuel spillage.	Spilled fuel and its vapors can become ignited from hot surfaces or sparks.	Use care in filling the tank to avoid spilling fuel. Make sure fuel cap is secured tightly and check engine for fuel leaks before starting engine. Move generator away from refueling area or any spillage before starting engine. Allow for fuel expansion. Keep maximum fuel level ¼ inch below the tip of the fuel tank. Never refuel with the engine running.

**READ AND UNDERSTAND ALL WARNINGS BEFORE**



**⚠ DANGER**

**Risk of Injury and Property Damage When Transporting Generator**

HAZARD	WHAT COULD HAPPEN	HOW TO PREVENT IT
Fire, Inhalation, Damage to Vehicle Surfaces	Fuel or oil can leak or spill and could result in fire or breathing hazard, serious injury or death can result. Fuel or oil leaks will damage carpet, paint or other surfaces in vehicles or trailers.	If generator is equipped with a fuel shut-off valve, turn the valve to the off position before transporting to avoid fuel leaks. If generator is not equipped with a fuel shut-off valve, drain the fuel from tank before transporting. Transport fuel only in an OSHA approved container. Always place generator on a protective mat when transporting to protect against damage to vehicle from leaks. Remove generator from vehicle immediately upon arrival at your destination



**⚠ DANGER**

**RISK OF BREATHING - INHALATION HAZARD**

HAZARD	WHAT COULD HAPPEN	HOW TO PREVENT IT
Gasoline engines produce toxic carbon monoxide exhaust fumes.	Breathing exhaust fumes will cause serious injury or death.	Operate generator in clean, dry, well ventilated area. Never operate unit in enclosed areas such as garages, basements, storage, sheds, or in any location occupied by humans or animals. Keep children, pets and others away from area of operating unit.

**READ AND UNDERSTAND ALL WARNINGS BEFORE  
ATTEMPTING TO OPERATE GENERATOR.**



**⚠ WARNING**

**RISK OF UNSAFE OPERATION**

<b>HAZARD</b>	<b>WHAT COULD HAPPEN</b>	<b>HOW TO PREVENT IT</b>
Operation of generator in careless manner.	All sources of energy include the potential for injury. Unsafe operation or maintenance of your generator could lead to serious injury or death to you or others.	<ul style="list-style-type: none"> <li>• Review and understand all of the operating instructions and warnings in this manual.</li> <li>• Become familiar with the operation and controls of the generator. Know how to shut it off quickly.</li> <li>• Equip area of operation with a fire extinguisher certified to handle gasoline or fuel fires.</li> <li>• Keep children or others away from the generator at all times.</li> </ul>
Operation of voltage sensitive appliances without a voltage surge protector.	Any gasoline operated household generator will incur voltage variations causing damage to voltage sensitive appliances or could result in fire.	<p>Always use a U.L. listed voltage sensitive surge protector to connect voltage sensitive appliances such as TV, computer, or stereo equipment. <b>Failure to use a U.L. listed voltage surge protector will void the warranty on your generator.</b></p> <p><b>Notice:</b> A multiple outlet strip is not a surge protector make sure you use a U.L. listed voltage surge protector.</p>
Raising or suspending generators equipped with lift rings improperly	<p>Generator could fall causing serious injury or death to you or others.</p> <p>Improper raising or suspending can cause damage to the generator.</p>	<p>Always use proper connecting procedures as described in this manual when connecting cables, chains, or straps for raising or suspending generators equipped with lift rings.</p> <p>Always use cables, chains, or straps rated at 2000 lbs working load or more to raise or suspend generator.</p>
Operating generator while suspended	Generator will not operate properly and will cause damage to the generator and could cause serious injury or death to you or others.	Never operate generator while suspended or in an unlevel position. Always operate generator on a flat, level surface.

**READ AND UNDERSTAND ALL WARNINGS BEFORE  
ATTEMPTING TO OPERATE GENERATOR.**



**⚠ WARNING**  
**RISK OF HOT SURFACES**

HAZARD	WHAT COULD HAPPEN	HOW TO PREVENT IT
Contact with hot engine and generator components.	Contact with hot surfaces, such as engines exhaust components, could result in serious burns.	During operation, touch only the control surfaces of the generator. Keep children away from the generator at all times. They may not be able to recognize the hazards of this product.



**⚠ WARNING**  
**RISK OF MOVING PARTS**

HAZARD	WHAT COULD HAPPEN	HOW TO PREVENT IT
Contact with moving parts can result in serious injury.	The generator contains parts which rotate at high speed during operation. These parts are covered by guarding to prevent injury.	Never operate generator with guarding or cover plates removed. Avoid wearing loose fitting clothing or jewelry which could be caught by moving parts.



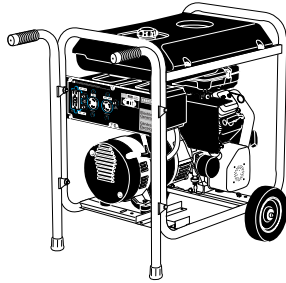
**⚠ WARNING**  
**RISK FROM LIFTING**

HAZARD	WHAT COULD HAPPEN	HOW TO PREVENT IT
Lifting a very heavy object.	Serious injury can result from attempting to lift too heavy an object.	The generator is too heavy to be lifted by one person. Obtain assistance from others before you try to move it.



# ASSEMBLY

## CARTON CONTENTS



1 - Generator

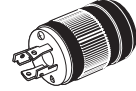
## 1 - Parts Bag



1 - Owner's Manual



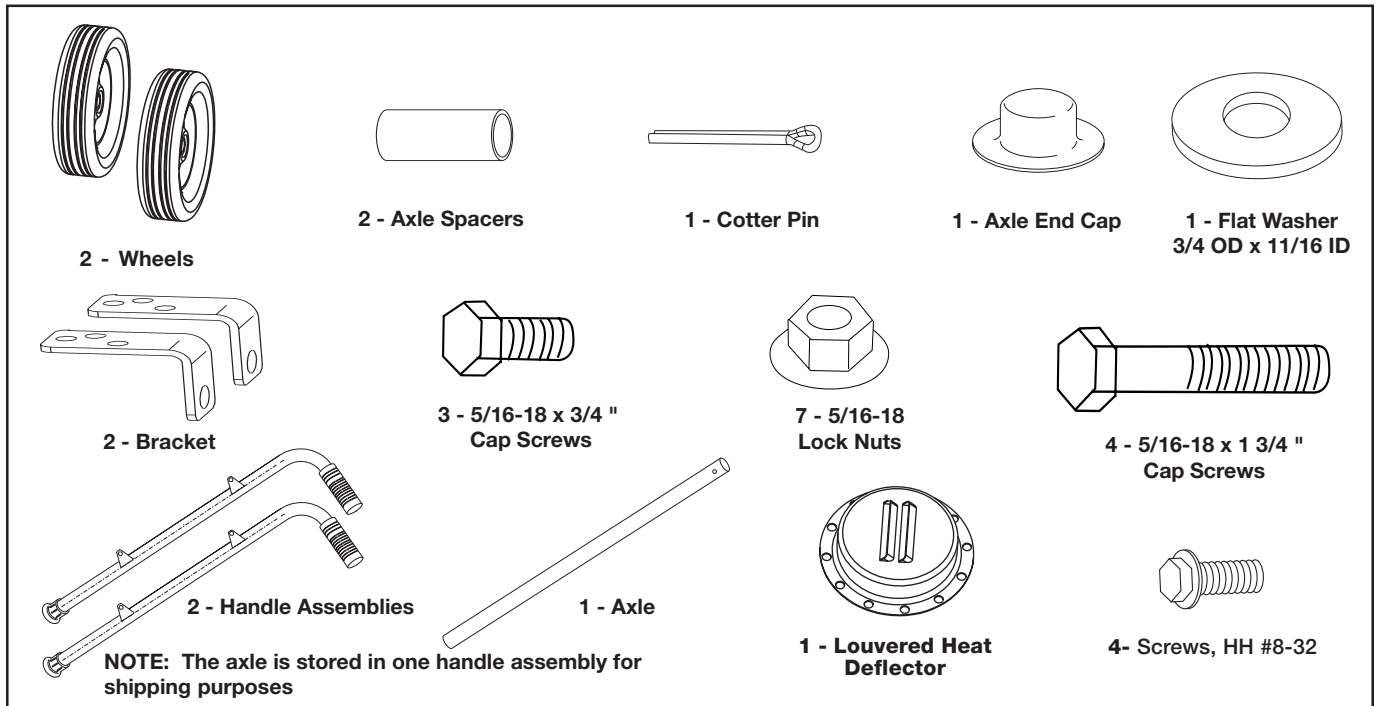
\*1 - Twistlock Plug L5-30P



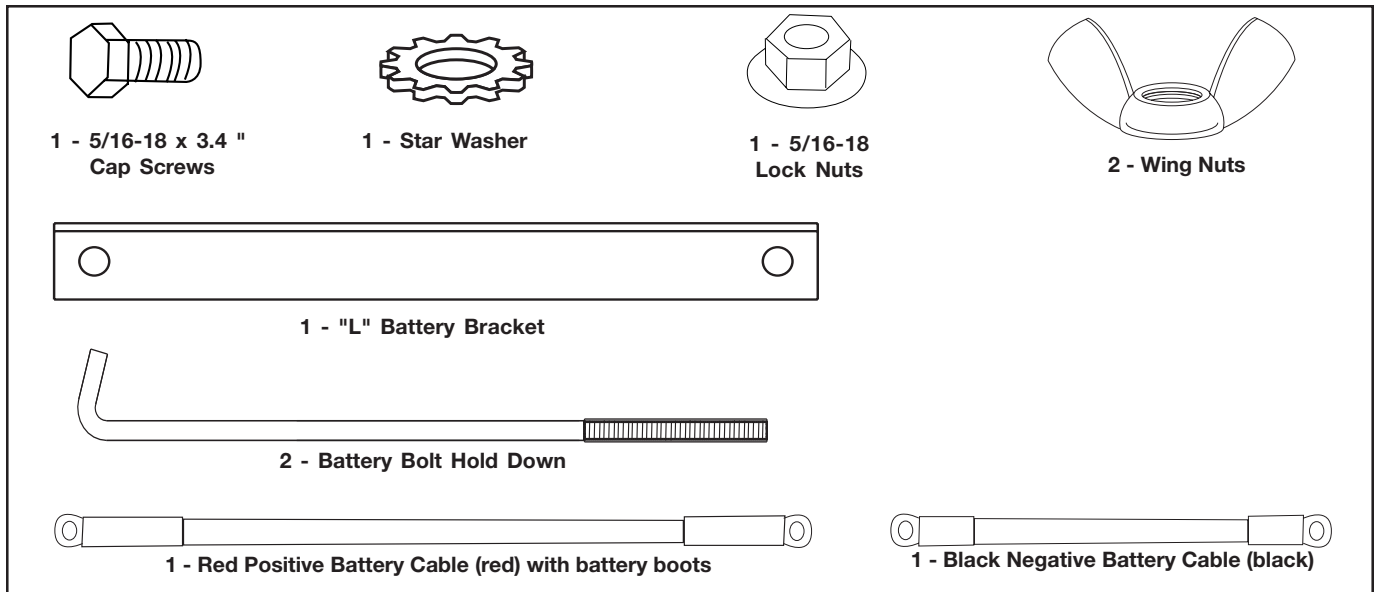
\*1 - Twistlock Plug L14-30P

**\* ⚠ WARNING** To be installed and/or used in accordance with appropriate local electrical codes and regulations. Refer to enclosed instructions for proper installation.

## Parts and Parts Box for Wheel Kit Assembly



## Parts Bag for Battery Installation



## ⚠ CAUTION

Read owner's manual. Do not attempt to operate equipment until you have read Owner's Manual for Safety, Assembly, Operation, Maintenance, Storage Instructions.

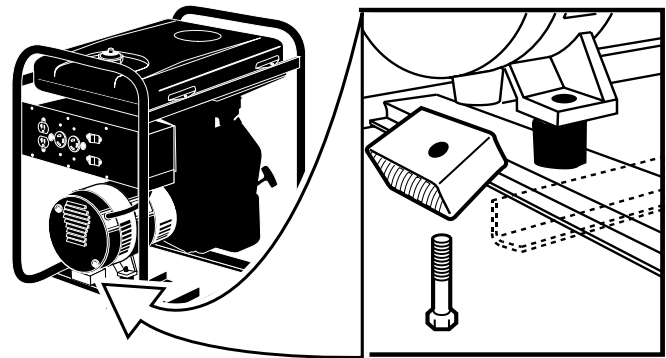
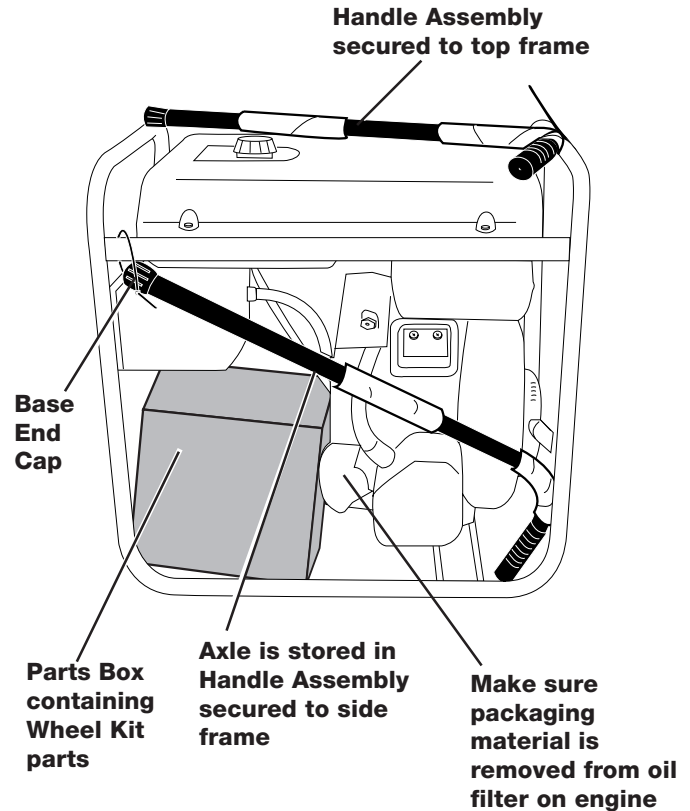
### TOOLS NEEDED FOR ASSEMBLY

- 1 - Box Cutter or Knife
- 2 - 1/2" Wrenches
- 1 - Pair Wire Pliers
- 1 - Hammer
- 1 - 1/2" Socket and Socket Wrench
- 1 - 1/4" Socket and Socket Wrench
- 1 - 1" thick x 1' square piece of wood

### REMOVE GENERATOR FROM CARTON

- Open carton from top.
- Cut carton along dotted lines.
- Remove generator through opening in carton.
- Remove parts box containing wheel kit parts.
- Cut wire tie securing handle assembly to top frame.
- Cut wire ties securing handle assembly to side frame. This handle assembly stores the axle during shipping. Remove the base end cap and slide the axle from handle assembly. Replace base end cap with washer.
- Remove all packaging material from handle assemblies and oil filter on engine.
- Place handle assemblies aside to be used when assembling the wheel kit.
- Using a 1/2 inch socket remove shipping block from under the generator head. Unscrew the bolt and remove the wood block. **NOTE:** It is very important that this is removed before starting your generator.

**IMPORTANT:** Before any attempt to start your generator be sure to check engine oil (See Adding Engine Oil paragraph in the Operation section on page 15 of this manual.)

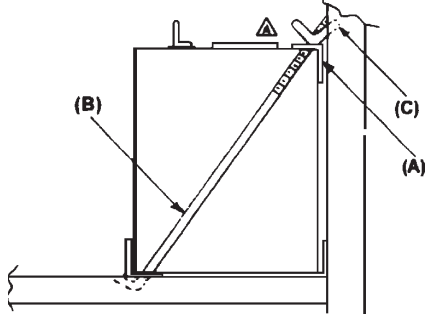


## INSTALLATION OF BATTERY

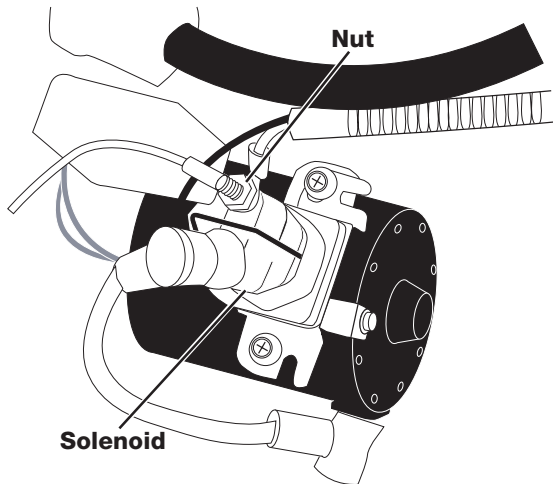
Recommended Battery for Electric Start: 12V - 45 A H. or 210 CCA (Cold Cranking Amps)

Purchase battery and battery hardware separately, not included with unit.

- Place battery in rack with terminals facing towards generator head.
- Place battery bracket (A) over battery as shown (opposite battery terminals).



- Place "L" bolt (B) through top and bottom brackets and secure with wing nut (C).
- Locate the solenoid on the left side of the unit.

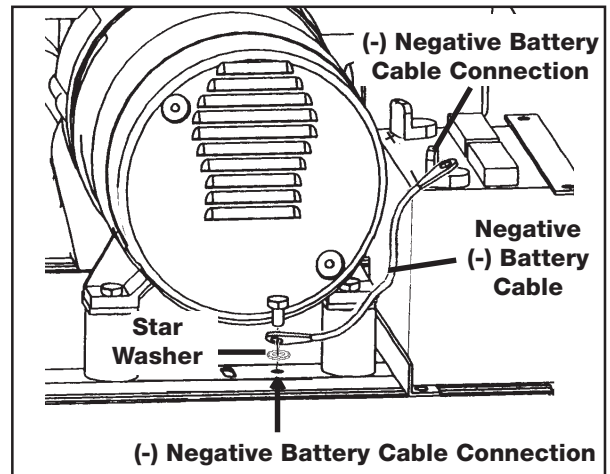


**⚠ WARNING** To Prevent sparks connect the red (positive) cable to the positive (+) terminal before connecting the black negative cable.

- Remove the nut from the solenoid post and place one end of the positive (red) battery cable onto the post. Reassemble nut and tighten securely.
- Attach the other end of the positive (red) battery cable to the positive (+) terminal on the battery.

**NOTE:** Make sure red battery boots cover positive battery cable terminals at battery and solenoid

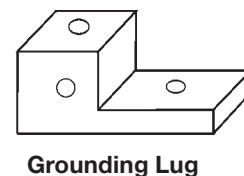
- Attach one end of the negative (black) cable to the negative (-) terminal on the battery.
- Attach the other end of the negative (black) cable to the frame as shown. Install the star washer between the cable and the frame.



## GROUNDING THE GENERATOR

A grounding lug is supplied with the generator for use when required by local electrical ordinances. Refer to article 250 of the National Electrical Code to clarify any needed grounding information. Your local electric company or a certified electrician should be able to help you with this information.

**NOTE:** Your engine is already grounded to the frame by a grounding strap.



## INSTALLING WHEEL KIT

The Craftsman Wheel Kit was designed to greatly improve the portability of your generator.

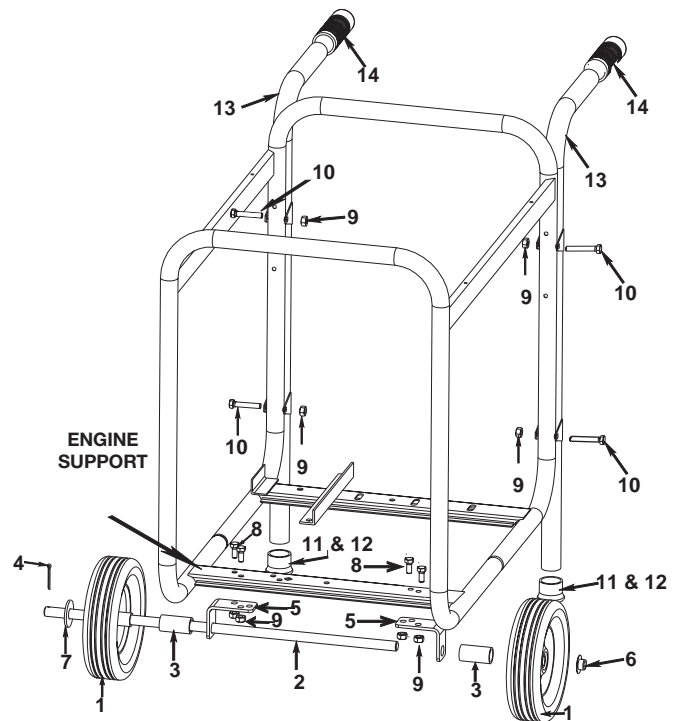
**CAUTION** Drain gas and oil before assembling the portability kit. Failure to do so will cause damage to the engine.

- Place generator on level ground; drain all gas and oil from the engine (see engine manual for correct procedure).
- Place a 1" thick x 1' square piece of wood on the ground in front of the engine. With the help of another person, tilt the generator and rest the recoil starter on the wood. **NOTE:** This will support the gasoline engine during assembly and make assembly easier.
- Using two screws (8) and two lock nuts (9) install the wheel bracket (5) on the bottom right side of the engine support.
  - a. Remove the locknut on the bottom of the isolator.
  - b. Position wheel bracket onto the existing screw, lining up holes in bracket with holes in frame. Secure with the removed locknut.
  - c. Place screw (8) into second hole and secure with locknut (9).
- Tap the axle cap (6) on the end of the axle (2), **without the hole**, using a hammer.
- Slide one wheel (1) onto the axle with the extended hub pointed away from axle cap.
- Slide one axle spacer (3) down against the wheel (1).
- Slide the axle (2) through the holes in the wheel brackets (5).
- Install the second axle spacer (3) then the second wheel (1) with the extended hub facing inward.

- Place the flat washer (7) against the wheel bushing and slide the cotter pin (4) through the drilled hole of the axle (2). Bend the cotter pin (4) to secure in place.
- Tighten lock nuts on wheel brackets.
- Line up the handle brackets with the holes in the frame near the receptacle end of the generator.
- Install hex screws (10) and lock nuts (9). Tighten with a 1/2" wrench.
- With another person helping, carefully tilt the generator to operating position.
- Install louvered heat deflector to the muffler using four #8-32 HH screws. Orient heat deflector so the vent openings are pointing toward the rear of the engine.

**IMPORTANT:** To prevent damage or possible hazards, do not orient deflector in any other position.

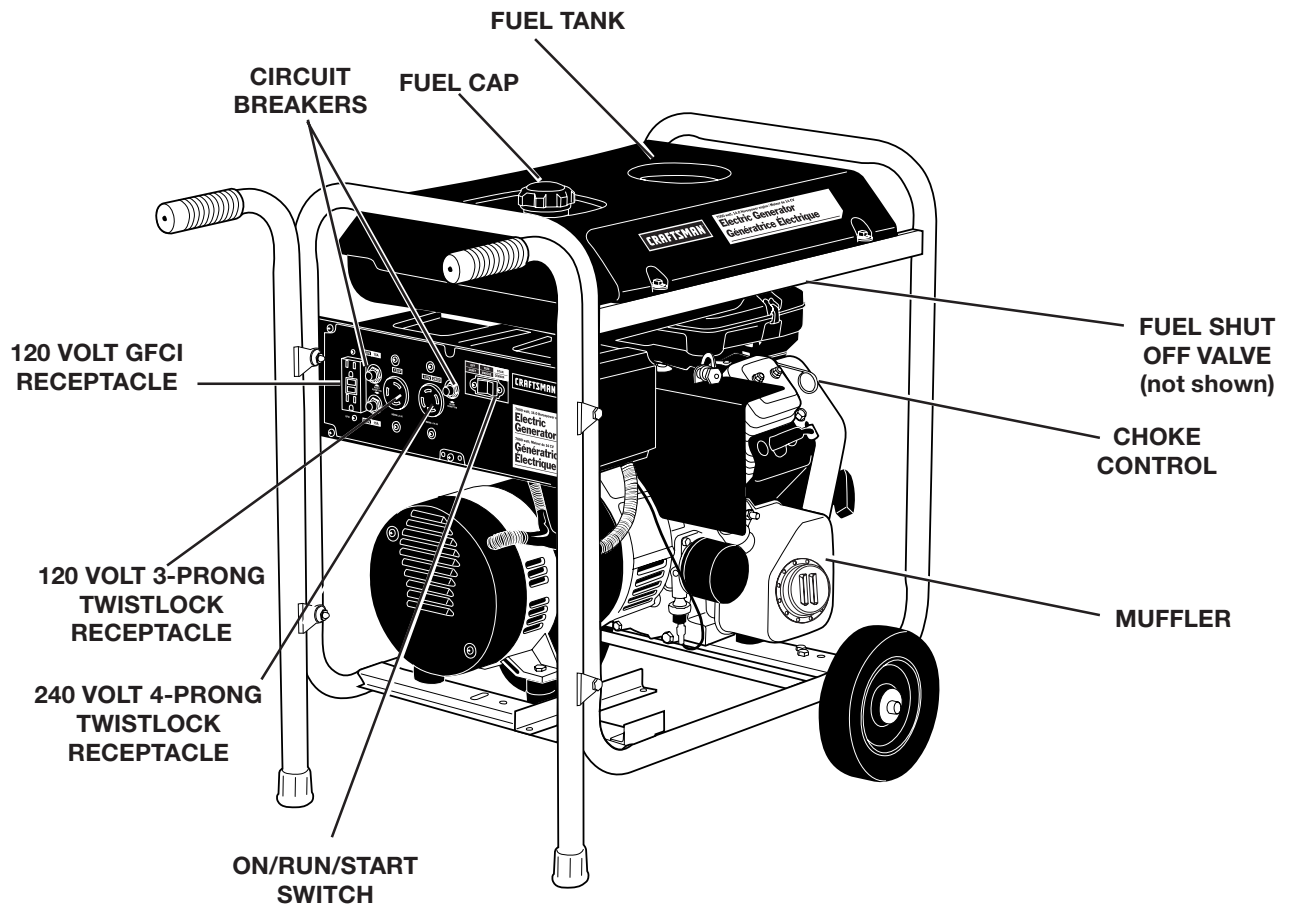
- The portability kit is now ready for use.



# OPERATION

## KNOW YOUR GENERATOR

Read this Owner's Manual and Safety Rules before operation of your Generator. Compare this illustration with your generator to familiarize yourself with the location of various controls and adjustments. Save the manual for future references.



**FUEL TANK-** Capacity of 7 US gallons/26.5 Liters.

**CHOKE CONTROL-** Used to start cold engine.

**ENGINE OFF/RUN/START SWITCH-** Used to start and stop engine.

**FUEL VALVE LEVER (located on engine) -** Used to shut off the flow of fuel to the engine.

**ENGINE OIL FILL-** Check and fill engine with oil.

**AIR CLEANER-** Includes filter element cartridge and foam pre-cleaner that limits the amount of dirt that enters the engine.

**CIRCUIT BREAKER-** Each receptacle has a circuit breaker to protect the generator from overloading.

**GFCI (Ground Fault Circuit Interrupter) 120 VOLT RECEPTACLE-** GFCI receptacles reduce the chance of electrical shock by tripping it's built in circuit breaker when it senses an imbalance in current. This receptacle is protected by 30 amp circuit breaker.

**3- PRONG 120 VOLT RECEPTACLE-** Used to supply 3500 watts of electrical power and is protected by 30 amp circuit breaker.

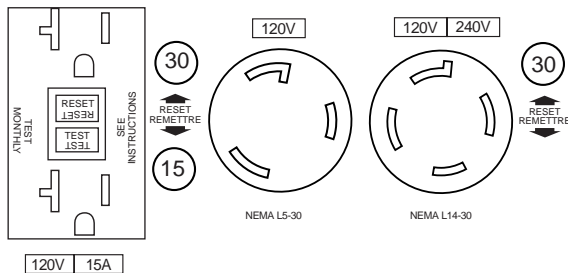
**4-PRONG 240 VOLT TWISTLOCK RECEPTACLE -** Used to supply 7000 watts of electrical power and is protected by 30 amp circuit breaker.

## RECEPTACLES

Your generator is equipped with:

- one 120 volt GFCI duplex receptacle protected by a 15 amp circuit breaker
- one 120 volt 3-prong twistlock receptacle protected by a 30 amp circuit breaker
- one 240 volt 4-prong twistlock receptacle protected by two 30 amp circuit breakers

The circuit breakers are provided to protect the generator against electrical overload. If the circuit breaker trips, unplug electrical load from receptacle. Let circuit breaker cool down and then push circuit breaker button to reset.



## LOW OIL SHUTDOWN

Your Craftsman generator engine is equipped with Low Oil Shutdown. Low Oil Shutdown is a safety device designed to protect your engine from damage in the event the oil level in the crankcase is low.

If while the engine is running, the oil gets low, it will automatically shut itself down and will not restart until the oil is added. If the oil is low before start-up, the generator will not start until oil is added.

**NOTE:** The Low Oil Shutdown mechanism is very sensitive. You must fill the engine to the full mark on the dipstick to inactivate this safety device.

## GENERATOR CAPACITY

Exceeding the rated capacity of your generator can result in serious damage to your generator and connected electrical devices. You should observe the following to prevent overloading the unit:

- Starting and running wattage requirements should always be calculated when matching a generator's wattage capacity to the appliance or tool.
- There are two types of electrical appliances that can be powered by your generator:
  - A. Items such as radios, light bulbs, television sets, and microwaves have a "resistive load". Starting wattage and running wattage are the same.
  - B. Items such as refrigerators, air compressors, washer, dryer, and hand tools that use an electrical motor have an "inductive load". Inductive load appliances and tools require approximately 2 to 4 times the listed wattage for **starting** the equipment. This initial load only lasts for a few seconds on start-up but is very important when figuring your total wattage to be used.

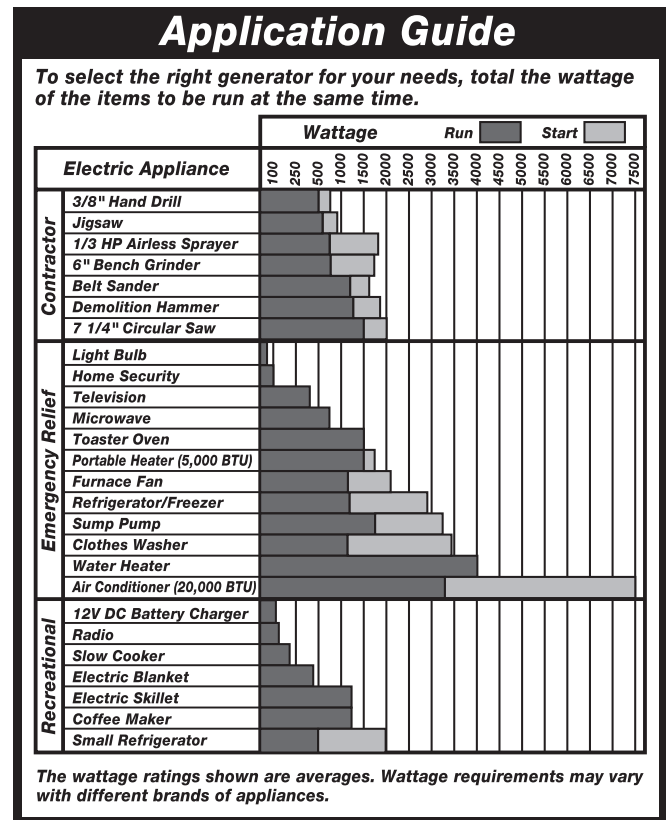
**NOTE:** Some inductive appliances and tools will list on the motor name plate, the starting and running voltage and amperage requirements. Use the following formula to convert voltage and amperage to wattage:

$$\text{(Volts X Amp = Watts)}$$

- Always start your largest electric motor first, and then plug in other items, one at a time.

**NOTE:** On 120-volt loads the maximum starting wattage should **NOT** exceed one half of the rated generator wattage. Example: a 7000 rated wattage generator = 3500 maximum starting wattage.

The guide is provided to assist you in determining the appliances and tools that can be ran with the wattage capacity of your generator.



## OBTAINING ELECTRICITY FROM GENERATOR

There are basically two ways to obtain electricity from a generator:

- Use of extension cords directly from the generator to the appliance, lights, tools, etc.
- Use of a double-throw transfer switch installed directly to the main electrical supply outside of the house.

### Extension Cord

When using an appliance or tool at a considerable distance from the generator, a 3-wire extension cord that has a 3-blade grounding plug and a 3-slot receptacle that accepts the tool's plug **MUST** be used in order to reduce the risk of electrical shock. A cord of adequate size must be used. A minimum of 12 gauge wire size with at least a 20 amp draw can be used. When amperage exceeds 20 amps a 10 gauge wire size should be used.

**⚠ WARNING** An extension cord that is hot to the touch is overloaded. Repair or replace damaged extension cords immediately.

## Connecting Generator To Main Electrical Supply

Potential hazards exist when a electrical generator is connected to the main electrical supply coming into the house. It is at that point that the generator could feed back into the utility company's system causing possible electrocution of workers who are repairing electrical lines. To avoid back feeding of electricity into utility systems, a **double-throw transfer switch** should be installed between the generator and utility power. This device should be installed by a licensed electrician and in compliance with all local electrical codes.

**NOTE:** When installing a Double-Throw Transfer Switch, a minimum of 10 gauge wiring must be used.

## BEFORE STARTING ENGINE

**⚠ CAUTION** Always check engine oil level before every start. Running engine low of oil or out of oil could result in serious damage to the engine.

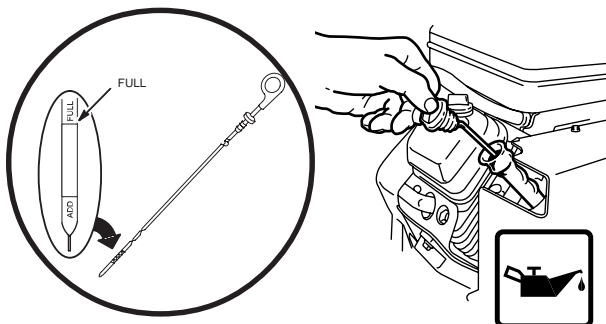
## Adding Engine Oil

Your generator has been shipped **without** oil in the engine. Begin by removing the oil dipstick and plug. Start pouring the oil in slowly.

The engine will hold approximately 48 ounces/1.4 liters of oil.

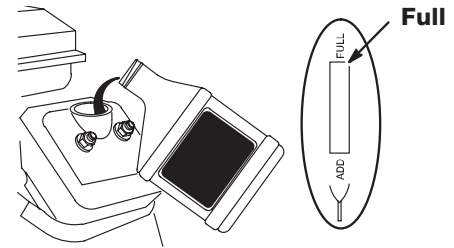
### To check oil:

- Place engine in a level position. Clean around oil fill and dipstick.
- Remove dipstick and wipe clean with cloth.
- Push dipstick back in and remove to check oil. Keep oil level at FULL line on dipstick.



### To add oil:

- Remove oil fill cap.
- Pour oil slowly and fill to FULL line on dipstick. Do not overfill.



- Replace dipstick firmly.

**NOTE:** When adding oil to the engine crankcase, use a high quality detergent oil classified "For Service SF,SG,SH,SJ" rated SAE 30 weight. Use no special additives. Select the oil's viscosity grade according to your expected operating temperatures.

SAE Viscosity Grades	
	30
5W-30, 10W-30	*
Synthetic 5W-30, 10W-30	
F -20	0 20 32 40 60 80 100
C -30	-20 -10 0 10 20 30 40
STARTING TEMPERATURE RANGE ANTICIPATED BEFORE NEXT OIL CHANGE	

## Gasoline

### To add gasoline:

- Remove gas cap.



- Add unleaded gasoline, slowly, to fuel tank.

Use clean, fresh, regular unleaded gasoline with a minimum of 85 octane. Use unleaded fuel only. Do not use gasoline which contains Methanol. Never mix oil with gasoline.

**⚠ CAUTION** Never fill fuel tank completely. Fill tank to 1/2" below the bottom of the filler neck to provide space for fuel expansion. Wipe any fuel spillage from engine and equipment before starting engine.

- Do not overfill.
- Replace gas cap.

**⚠ WARNING** Never fill fuel tank indoors. Never fill fuel tank when engine is running or hot. Do not smoke when filling fuel tank.

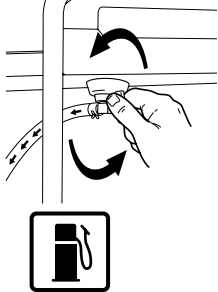
**⚠ WARNING** Turn engine OFF and let engine cool at least 2 minutes before removing gas cap.

## To Start Your Generator

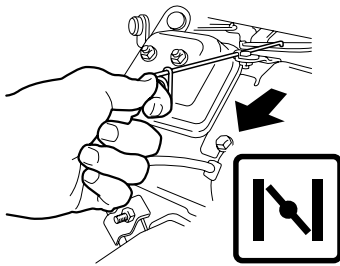
**CAUTION** Never run engine indoors or in enclosed, poor ventilated areas. Engine exhaust contains carbon monoxide, an odorless and deadly gas.

**IMPORTANT:** Make sure the battery is properly serviced, fully charged, and assembled before starting.

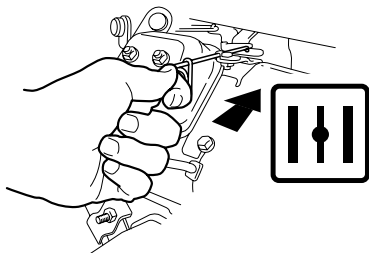
- Open the fuel shut-off valve.



- Pull choke control out to CHOKE position.



**NOTE:** No choke is required on warm engines. Push choke control in to start a warm engine.

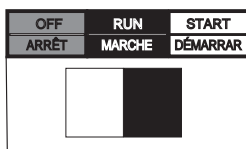


**CAUTION** You MUST unplug any load from the generator before starting to prevent permanent damage to any appliances.

**For electric start:**

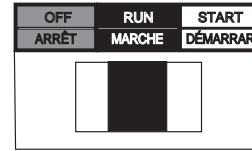
- Place OFF/RUN/START switch in the START position.

**NOTE:** When the engine starts the switch will remain in the RUN position.



**For recoil start:**

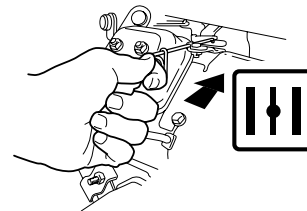
- Place OFF/RUN/START switch in the RUN position.



- Grasp handle on rope starter and pull slowly until resistance is felt. Let the rope rewind slowly. Pull rope with a rapid full arm stroke. Let rope rewind slowly. Repeat if necessary.

**NOTE: IF ENGINE OIL LEVEL IS TOO LOW, ENGINE WILL NOT START. CHECK OIL LEVEL AND ADD IF NECESSARY.**

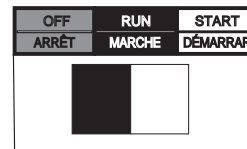
- When engine warms up, gradually push choke control in to the NO CHOKE position.



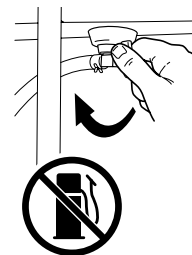
**IMPORTANT:** Allow generator to run at no load for 5 minutes upon each initial start-up to allow engine and generator to stabilize.

## STOPPING ENGINE

- Disconnect all electrical loads.
- Turn OFF/RUN/START switch to "OFF" position.



- Close fuel shut-off valve.



**IMPORTANT:** Never store engine with fuel in tank, indoors, or in enclosed, poorly ventilated areas or where fuel fumes may reach an open flame.



## CONNECTING ELECTRICAL LOADS

- Let engine run and warm up for five minutes after starting with no electrical load.

Connect loads in the following manner to prevent damage to equipment:

- Connect inductive load equipment first, inductive loads consist of refrigerators, freezers, water pumps, air conditioners, or small hand tools. Connect the items that require the most wattage first.
- Connect the lights next.

- Voltage sensitive equipment should be the last equipment connected to the generator. Plug voltage sensitive appliances such as TV's, VCR's, microwaves, ovens, computers, and cordless telephones into a UL listed voltage surge protector, then connect the UL listed voltage surge protector to the generator.

**IMPORTANT:** You should always add up the rated watts of all lights, tools and appliances you are powering at one time. This total should not exceed the rated capacity of you generator or circuit breaker rating of the receptacle supplying power.

# MAINTENANCE

## CUSTOMER RESPONSIBILITIES TABLE

MAINTENANCE TASK	Every 8 Hours or Daily	Every 25 Hours of Every Season	Every 50 Hours of Every Season	Every 100 Hours of Every Season	Monthly
Check oil level	X				
Change oil			See Note 1		
Change oil filter				X	
Service air pre-cleaner		See Note 2			
Service air cleaner cartridge		See Note 2			
Spark arrester ( if equipped)			X		
Clean cooling system				See Note 2	
Check spark plug				X	
Replace in-line fuel filter				X	
GFCI (ground fault circuit interrupter)					X
Prepare unit for storage	<b>Prepare unit for storage if it is to remain idle for more than 30 days.</b>				

**Note 1:** Change oil after first five (5) operating hours, every 25 hours if operating under heavy load or high ambient temperature, and every 50 operating hours thereafter.

**Note 2:** Clean more often under dusty conditions.

## GENERAL RECOMMENDATIONS

The warranty of the generator does not cover items that have been subjected to operator abuse or negligence. To receive full value from the warranty, operator must maintain the generator as instructed in this manual.

Some adjustments will need to be made periodically to maintain your generator.

## GENERATOR MAINTENANCE

Your generator should be kept clean and dry at all times. The generator should not be stored or operated in environments that include excessive moisture, dust or any corrosive vapors. If these substances are on the generator, clean with a cloth or soft bristle brush. Do not use a garden hose or anything with water pressure to clean the generator. Water may enter the cooling air slots and could possibly damage the rotor, stator and the internal windings of the generator head.

All adjustments in the Maintenance section of this manual should be made at least once each season.

## ENGINE MAINTENANCE

**NOTICE: Maintenance, replacement or repair of the emission control devices and systems may be performed by any nonroad engine repair establishment or individual. However, to obtain no charge repairs under the terms and provisions of the engine manufacturers warranty statement, any service or emission control part repair or replacement must be performed by a factory authorized dealer.**

### Oil

- Oil level should be checked prior to each use and at least every 8 hours of operation. To check oil see **Adding Engine Oil** paragraph in the **Operation** section of this manual.

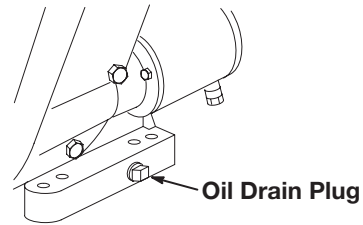
### Changing Engine Oil

For a new engine, change oil after the first **5 operating hours**. Thereafter, change oil after every **50 hours** of operation.

Change the oil while the engine is still warm. The oil will flow freely and carry away more impurities. Make sure the engine is level when filling, checking or changing oil.

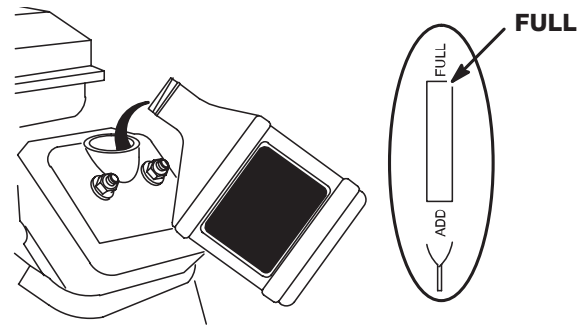
#### Change the oil as follows:

- To keep dirt, grass clippings, etc. out of the engine, clean the area around the drain plug and dipstick before removing it.
- Disconnect spark plug wire and keep away from spark plug. Disconnect battery at negative terminal.
- With engine off but still warm, remove oil drain plug and drain oil into appropriate receptacle.



**CAUTION** Used oil is a hazardous waste product. Dispose of used oil properly. Do not discard with household waste. Check with your local authorities, service center, or dealer for safe disposal/recycling facilities.

- Reinstall drain plug. Remove oil fill cap.
- Fill the crankcase with new oil of the proper type (See **Adding Engine Oil** in the **Operation** section), to the FULL mark on the dipstick. Always check the level with the dipstick before adding more oil.



- Reinstall the oil fill cap or plug and tighten securely.

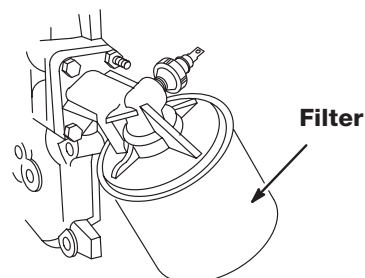
### Change Oil Filter

Change oil filter after every 100 hours or every season.

- Drain engine oil and remove oil filter.

**CAUTION** Used oil is a hazardous waste product. Dispose of used oil properly. Do not discard with household waste. Check with your local authorities, service center, or dealer for safe disposal/recycling facilities.

- Before installing new filter, lightly oil filter gasket with fresh, clean oil.



- Screw filter on by hand until gasket contacts oil filter adapter. Tighten 1/2 to 3/4 turn more.

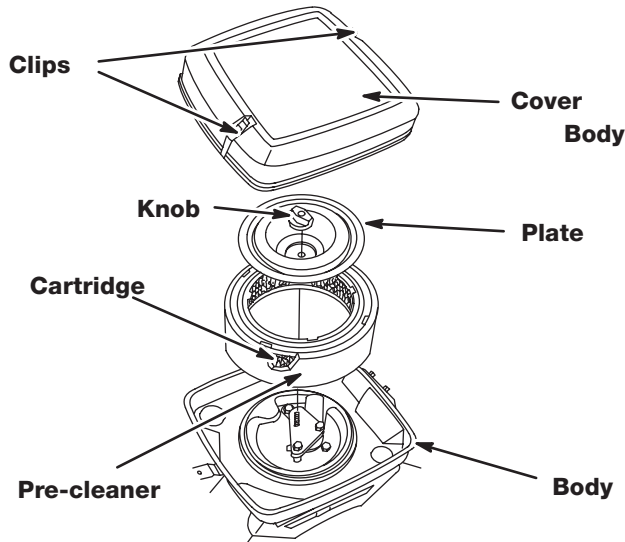
- Add fresh oil. See **Add Engine Oil** in the **Operation** section of this manual.
- Start and run engine at idle to check for leaks.
- Stop engine. Re-check oil level, add oil if required.

### Air Cleaner

**⚠ CAUTION** Do not use pressurized air or solvents to clean cartridge. Pressurized air can damage cartridge; solvents will dissolve cartridge.

To service air cleaner follow these steps:

- Unhook clips on both sides of cover and remove cover.



- Remove knob and plate. Carefully remove air cleaner assembly to prevent debris from entering carburetor.
- To clean pre-cleaner and cartridge:

#### Pre-cleaner

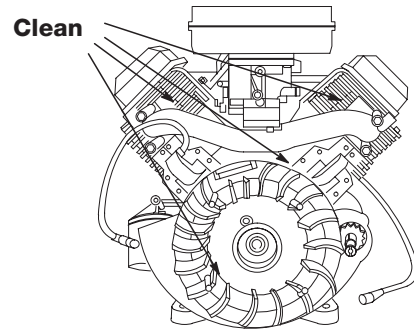
- Separate from cartridge and wash in liquid detergent and water.
- Squeeze dry in a clean cloth.
- Saturate in engine oil. Squeeze in clean, absorbent cloth to remove all EXCESS oil.

#### Cartridge

- Gently tap on a flat surface.
- Reassemble clean (or new ) pre-cleaner on clean (or new) cartridge.
- Reinstall air cleaner assembly, plate and knob in body.
- Replace cover and reattach clips to body.

### Clean Cooling System

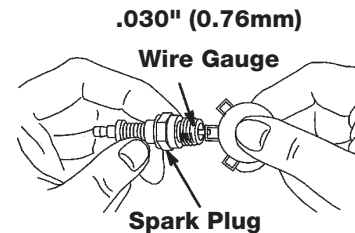
Debris may clog the engine's air cooling system. Remove blower housing and clean area shown to prevent overheating and engine damage.



### Clean and Replace Spark Plug

Check spark plug yearly or every 100 operating hours.

- Clean area around spark plug.
- Remove and inspect spark plug.
- Replace spark plug if electrodes are pitted, burned or porcelain is cracked.
- Check electrode gap with wire feeler gauge and set gap .030 if necessary.
- Install spark, tighten securely.



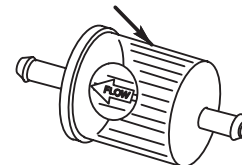
### Replace Fuel In-Line Filter

- Disconnect spark plug wires and keep away from spark plugs.

**⚠ WARNING** Drain fuel tank or close fuel shut-off valve before replacing fuel filter.

- Replace in-line fuel filter.

#### In-line Fuel Filter

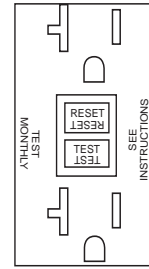


## GFCI receptacle (Ground Fault Circuit Interrupter)

For maximum protection against electrical shock the GFCI should be tested monthly.

### To test:

1. Depress the TEST button. The RESET button should extend. If the RESET button does not extend, notify a Authorized Service Center.
2. To restore power, depress the RESET button firmly into the GFCI unit until an audible click is heard. If reset properly, the RESET button is flush with the surface of the test button. When the button stays in, the power is ON.



## SERVICE ADJUSTMENTS

### CARBURETOR

The carburetor of your generator is pre-set at the factory. The carburetor should not be tampered with. If your generator is used at an altitude in excess of 4000 feet performance may be affected. If so consult with your nearest Craftsman Service Center regarding high altitude set changes.

### GOVERNOR

Your engine governor maintains the constant operating speed of your generator. **DO NOT** tamper with the engine governor which is factory set for proper engine speed.

Over-speeding your engine above factory high speed setting can be dangerous and could possibly cause personal injury or property damage. If you believe the engine is running too fast or slow, take your generator to a Authorized Craftsman Service Center for repair and adjustment.

**CAUTION** Low engine speeds impose a heavy load on the engine and when sufficient power is not available the engine life could be shortened.

## STORAGE

If you are going to store your generator for more than 30 days, use the following information as a guide to prepare the generator for storage.

**CAUTION** Never store generator with fuel in the tank indoors or in enclosed, poorly ventilated areas, where fumes can reach an open flame, spark or pilot light as on a furnace, water heater, clothes dryer or other gas appliances.

### Engine Preparation

- Add fuel stabilizer to fuel tank to minimize the formation of fuel gum deposits during storage.
- Run engine at least 10 minutes after adding stabilizer to allow it to enter the fuel system.
- Disconnect the spark plug wire and remove the spark plug.
- Add one teaspoon of oil through the spark plug hole.

- Place rag over spark plug hole and pull the recoil a few times to lubricate the combustion chamber.  
Replace the spark plug, but do not connect the spark plug wire.

**NOTE:** If a fuel stabilizer is not used, all gasoline must be drained from the tank and carburetor to prevent gum deposits from forming on these parts and causing possible malfunction of the engine.

### Generator

- Clean the generator as outlined in the Generator Maintenance paragraph on page 18.
- Check that cooling air slots and openings on generator are open and unobstructed.

### Battery

- Store battery as described by the battery manufacturer.

**NOTE:** After storing battery for a long period of time it may lose its charge. If the battery loses its charge, manually start the engine with the battery connected. The engine will recharge the battery as it runs.

# TROUBLESHOOTING GUIDE

<b>PROBLEM</b>	<b>CAUSE</b>	<b>CORRECTION</b>
<b><i>Engine will not start</i></b>	<ol style="list-style-type: none"> <li>1. Low on fuel or oil.</li> <li>2. Ignition switch in "Off" position.</li> <li>3. Faulty spark plug.</li> <li>4. Choke in wrong position.</li> <li>5. Fuel shut-off valve in closed position.</li> <li>6. Unit loaded during start-up.</li> <li>7. Spark plug wire loose.</li> </ol>	<ol style="list-style-type: none"> <li>1. Add fuel or oil.</li> <li>2. Turn to "ON" position</li> <li>3. Replace spark plug.</li> <li>4. Adjust choke accordingly.</li> <li>5. Open fuel shut-off valve.</li> <li>6. Remove load from unit.</li> <li>7. Attach wire to spark plug.</li> </ol>
<b><i>No electrical output</i></b>	<ol style="list-style-type: none"> <li>1. Faulty receptacle.</li> <li>2. Circuit breaker kicked out.</li> <li>3. Defective capacitor.</li> <li>4. Faulty power cord.</li> <li>5. GFCI receptacle circuit breaker kicked out.</li> </ol>	<ol style="list-style-type: none"> <li>1. Have Authorized Sears Service Center replace.</li> <li>2. Depress and reset.</li> <li>3. Have Authorized Sears Service Center replace capacitor.</li> <li>4. Repair or replace cord.</li> <li>5. Depress and reset.</li> </ol>
<b><i>Repeated circuit breaker tripping</i></b>	<ol style="list-style-type: none"> <li>1. Overload</li> <li>2. Faulty cords or equipment.</li> </ol>	<ol style="list-style-type: none"> <li>1. Reduce load.</li> <li>2. Check for damaged, bare, or frayed wires on equipment. Replace.</li> </ol>
<b><i>Generator overheating the circuit breaker depressed</i></b>	<ol style="list-style-type: none"> <li>1. Generator overloaded.</li> <li>2. Insufficient ventilation.</li> </ol>	<ol style="list-style-type: none"> <li>1. Reduce load.</li> <li>2. Move to adequate supply of fresh air.</li> </ol>

# EMISSIONS CONTROL SYSTEMS STATEMENT

## Briggs & Stratton Corporation (B&S), the California Air Resources Board (CARB) and the United States Environmental Protection Agency (U.S. EPA)

### Emission Control System Warranty Statement (Owner's Defect Warranty Rights and Obligations)

EMISSION CONTROL WARRANTY COVERAGE IS APPLICABLE TO CERTIFIED ENGINES PURCHASED IN CALIFORNIA IN 1995 AND THEREAFTER, WHICH ARE USED IN CALIFORNIA, AND

TO CERTIFIED MODEL YEAR 1997 AND LATER ENGINES WHICH ARE PURCHASED AND USED ELSEWHERE IN THE UNITED STATES.

### California and United States Emission Control Defects Warranty Statement

The California Air Resources Board (CARB), U.S. EPA and B&S are pleased to explain the Emission Control System Warranty on your model year 2000 and later small off-road engine (SORE). In California, new small off-road engines must be designed, built and equipped to meet the State's stringent anti-smog standards. Elsewhere in the United States, new non-road, spark-ignition engines certified for model year 1997 and later, must meet similar standards set forth by the U.S. EPA. B&S must warrant the emission control system on your engine for

the periods of time listed below, provided there has been no abuse, neglect or improper maintenance of your small off-road engine.

Your emission control system includes parts such as the carburetor, air cleaner, ignition system, muffler and catalytic converter. Also included may be connectors and other emission related assemblies. Where a warrantable condition exists, B&S will repair your small off-road engine at no cost to you including diagnosis, parts and labor.

### Briggs & Stratton Emission Control Defects Warranty Coverage

Small off-road engines are warranted relative to emission control parts defects for a period of two years, subject to provisions set forth

below. If any covered part on your engine is defective, the part will be repaired or replaced by B&S.

### Owner's Warranty Responsibilities

As the small off-road engine owner, you are responsible for the performance of the required maintenance listed in your Operating and Maintenance Instructions. B&S recommends that you retain all your receipts covering maintenance on your small off-road engine, but B&S cannot deny warranty solely for the lack of receipts or for your failure to ensure the performance of all scheduled maintenance.

You are responsible for presenting your small off-road engine to an Authorized B&S Service Dealer as soon as a problem exists. The undisputed warranty repairs should be completed in a reasonable amount of time, not to exceed 30 days.

As the small off-road engine owner, you should however be aware that B&S may deny you warranty coverage if your small off-road engine or a part has failed due to abuse, neglect, improper maintenance or unapproved modifications.

If you have any questions regarding your warranty rights and responsibilities, you should contact a B&S Service Representative at 1-414-259-5262.

The emission warranty is a defects warranty. Defects are judged on normal engine performance. The warranty is not related to an in-use emission test.

### Briggs & Stratton Emission Control Defects Warranty Provisions

The following are specific provisions relative to your Emission Control Defects Warranty Coverage. It is in addition to the B&S engine warranty for non-regulated engines found in the Operating and Maintenance Instructions.

#### 1. Warranted Parts

Coverage under this warranty extends only to the parts listed below (the emission control systems parts) to the extent these parts were present on the engine purchased.

##### a. Fuel Metering System

Cold start enrichment system

Carburetor and internal parts

Fuel Pump

##### b. Air Induction System

Air cleaner

Intake manifold

##### c. Ignition System

Spark plug(s)

Magneto ignition system

##### d. Catalyst System

Catalytic converter

Exhaust manifold

Air injection system or pulse valve

##### e. Miscellaneous Items Used in Above Systems

Vacuum, temperature, position, time sensitive valves and switches

Connectors and assemblies

#### 2. Length of Coverage

B&S warrants to the initial owner and each subsequent purchaser that the Warranted Parts shall be free from defects in materials and workmanship which caused the failure of the Warranted Parts for a period of two years from the date the engine is delivered to a retail purchaser.

#### 3. No Charge

Repair or replacement of any Warranted Part will be performed at no charge to the owner, including diagnostic labor which leads to the determination that a Warranted Part is defective, if the diagnostic work is performed at an Authorized B&S Service Dealer. For emissions warranty service contact your nearest Authorized B&S Service Dealer as listed in the "Yellow Pages" under "Engines, Gasoline," "Gasoline Engines," "Lawn Mowers," or similar category.

#### 4. Claims and Coverage Exclusions

Warranty claims shall be filed in accordance with the provisions of the B&S Engine Warranty Policy. Warranty coverage shall be excluded for failures of Warranted Parts which are not original B&S parts or because of abuse, neglect or improper maintenance as set forth in the B&S Engine Warranty Policy. B&S is not liable to cover failures of Warranted Parts caused by the use of add-on, non-original, or modified parts.

#### 5. Maintenance

Any Warranted Part which is not scheduled for replacement as required maintenance or which is scheduled only for regular inspection to the effect of "repair or replace as necessary" shall be warranted as to defects for the warranty period. Any Warranted Part which is scheduled for replacement as required maintenance shall be warranted as to defects only for the period of time up to the first scheduled replacement for that part. Any replacement part that is equivalent in performance and durability may be used in the performance of any maintenance or repairs. The owner is responsible for the performance of all required maintenance, as defined in the B&S Operating and Maintenance Instructions.

#### 6. Consequential Coverage

Coverage hereunder shall extend to the failure of any engine components caused by the failure of any Warranted Part still under warranty.

# NOTES

# NOTES



# NOTES

Dear Customer,

In manufacturing this product, many steps have been taken to provide you with the highest quality. Unfortunately, errors or omissions occasionally occur. In the event that you find a missing or defective part, please contact your nearest Sears store.

**SERVICE AND REPAIR PARTS**  
**CALL 1-800-665-4455 \***

Keep this number handy should you require a service call or need to order repair parts.

If ordering parts make sure you have the name, make and model no. of the merchandise and the name and number of the part you wish to order.

\* If calling locally, please use one of the following numbers:

Regina - 566-5124	Montreal - 333-5740
Toronto - 744-4900	Halifax - 454-2444
Kitchener - 894-7590	Ottawa - 738-4440
Vancouver - 420-8211	

If you have any suggestions that would help us to improve our assembly/operation instructions, or this product, please write them down and mail it to:

---

Sears Canada Inc.  
222 Jarvis Street  
Toronto, Ontario  
M5B 2B8

Attention: Buyer Dept: D671

Model No. \_\_\_\_\_

NAME \_\_\_\_\_

ADDRESS \_\_\_\_\_

POSTAL CODE \_\_\_\_\_ PHONE # \_\_\_\_\_

COMMENTS

---

---

---

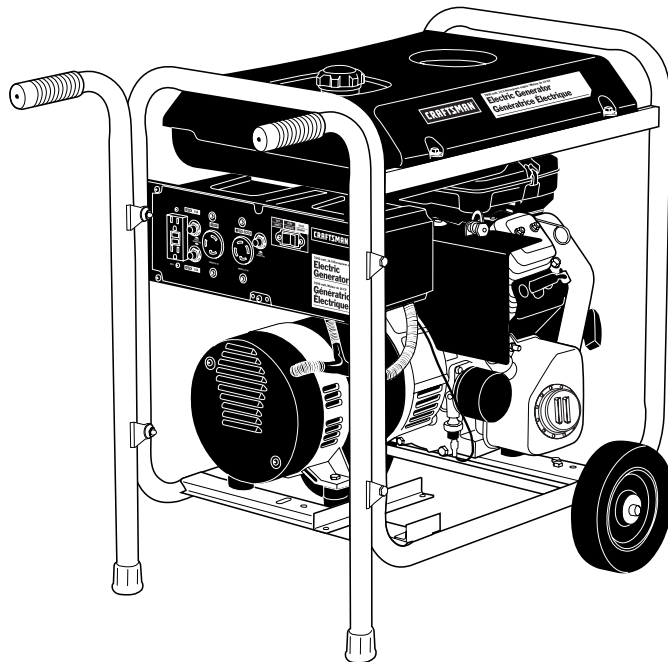
---

---

# **SEARS**

## **GUIDE DE L'UTILISATEUR**

**Modèle n° :  
919.670070**



# **CRAFTSMAN**

**GÉNÉRATRICE DE  
120/240 VOLTS • 7000 WATTS**

**IMPORTANT :**  
Avant d'utiliser cet appareil,  
lire les mesures de sécurité  
ainsi que toutes les directives  
de fonctionnement.

- **MESURES DE SÉCURITÉ**
- **ASSEMBLAGE**
- **FONCTIONNEMENT**
- **ENTRETIEN**
- **DÉPANNAGE**
- **PIÈCES DE RECHANGE**

**Vendu par Sears Canada, Inc., Toronto, Ont. M5B 2B8**

# TABLE DES MATIÈRES

Garantie .....	2
Mesures de sécurité .....	3-8
Assemblage .....	9-12
Fonctionnement .....	13-17
Entretien .....	17-20
Réglages d'entretien .....	20

Entreposage .....	20
Guide de dépannage .....	21
Déclaration sur le contrôle des émissions .....	22
Pièces de la Génératrice .....	23-29
Pièces du Moteur .....	30-36
Commande de pièces .....	Couverture arrière

DATE D'ACHAT : \_\_\_\_\_

MODÈLE N° : \_\_\_\_\_

N° DE SÉRIE : \_\_\_\_\_

PRODUIT ACHETÉ AU MAGASIN : \_\_\_\_\_

ADRESSE : \_\_\_\_\_

VILLE : \_\_\_\_\_

TÉLÉPHONE : \_\_\_\_\_

Inscrire les renseignements ci-dessus concernant votre appareil afin de pouvoir les fournir en cas de perte ou de vol.

<b>PUISSANCE</b>	<b>14 CV</b>
<b>CAPACITÉ D'ESSENCE</b>	<b>7 GALLONS (26,5 litres)</b>
<b>CAPACITÉ D'HUILE</b>	<b>48 oz (1.4 l)</b>

## ENTENTE D'ENTRETIEN

La Garantie de Craftsman ainsi qu'une Entente d'entretien assurent une protection maximale pour votre produit Sears. Contacter le magasin Sears le plus proche pour connaître les détails.

## RESPONSABILITÉS DU CLIENT

Lire et observer toutes les mesures de sécurité. Suivre un calendrier régulier d'entretien, de nettoyage et d'utilisation. Suivre les directives dans les sections 'Responsabilités du client' et 'Entreposage' de ce guide de l'utilisateur.

## GARANTIE D'UN AN SUR LES GÉNÉRATRICES DE CRAFTSMAN

Pour une période d'un an, à compter de la date d'achat, Sears s'engage à faire sans frais toutes réparations, dues à un défaut de matériau ou de fabrication, sur cette génératrice de Craftsman, pourvu que cet appareil soit entretenu et employé selon les directives comprises dans ce guide de l'utilisateur.

Cette garantie ne s'applique que pour une période de 90 jours, à compter de la date d'achat, si votre génératrice de Craftsman est utilisée à des fins commerciales ou comme appareil de location.

## GARANTIE D'UN AN SUR LE MOTEUR DE CRAFTSMAN

Pour une période d'un an, à compter de la date d'achat, Sears s'engage à faire sans frais toutes réparations, dues à un défaut de matériau ou de fabrication, sur ce moteur de Craftsman, pourvu qu'il soit entretenu et employé selon les directives comprises dans ce guide de l'utilisateur.

Cette garantie ne s'applique que pour une période de 90 jours, à compter de la date d'achat, si votre moteur de Craftsman est utilisé à des fins commerciales ou comme appareil de location. Cette garantie ne couvre pas les pièces non réutilisables, telles que les bougies d'allumage et les filtres à air qui subissent une usure normale au cours d'une utilisation appropriée.





Cette garantie ne s'applique pas sur toutes réparations nécessaires en raison d'un emploi abusif ou d'une négligence de la part de l'utilisateur, y compris, les dommages causés par un manque d'alimentation d'huile au moteur ou d'un manquement à l'entretien de l'équipement selon les directives contenues dans ce guide de l'utilisateur.

POUR OBTENIR LE SERVICE APRÈS-VENTE DURANT LA PÉRIODE DE GARANTIE, RETOURNER LA GÉNÉRATRICE AU CENTRE DE SERVICE APRÈS-VENTE DE SEARS LE PLUS PROCHE. Cette garantie vous donne des droits particuliers. Il se peut que vous ayez d'autres droits qui varient d'une province à l'autre.


**Vendu par Sears Canada, Inc., Toronto, Ont.**

## MESURES DE SÉCURITÉ - DÉFINITIONS

Ce guide contient des renseignements importants que vous devez bien saisir. Cette information porte sur **VOTRE SÉCURITÉ** et sur **LA PRÉVENTION DE PROBLÈMES D'ÉQUIPEMENT**. Afin de vous aider à identifier cette information, nous avons utilisé des signes de danger plus bas. Veuillez lire attentivement ce guide en portant une attention particulière à ces sections. **CONSERVEZ CES DÉFINITIONS/INSTRUCTIONS.**

 <b>DANGER</b>	 <b>MISE EN GARDE</b>
<b>DANGER</b> : Indique un danger imminent qui, s'il n'est pas évité, <b>causera de graves blessures ou la mort.</b>	<b>MISE EN GARDE</b> : Indique la possibilité d'un danger qui, s'il n'est pas évité <b>peut</b> causer <b>des blessures mineures ou moyennes.</b>
 <b>AVERTISSEMENT</b>	 <b>MISE EN GARDE</b>
<b>AVERTISSEMENT</b> : Indique la possibilité d'un danger qui, s'il n'est pas évité, <b>pourrait</b> causer <b>de graves blessures ou la mort.</b>	<b>MISE EN GARDE</b> (sans le symbole d'attention) : Indique la possibilité d'un danger qui, s'il n'est pas évité, <b>peut</b> causer <b>des dommages à la propriété.</b>

Ce produit n'est pas équipé d'un silencieux à éclateur pare-étincelles. Si le produit sera utilisé près de matériaux inflammables, ou sur de la terre couverte de produits agricoles, forêts, broussailles, gazon ou autres articles semblables, un éclateur pare-étincelles approuvé doit être posé, et est exigé par la loi en Californie. Selon la section 130050 de la loi de la Californie, et les sections 4442 et 4443 du Code sur les ressources publiques de la Californie, ce produit ne peut pas être utilisé en Californie, à moins que le moteur ne soit équipé d'un éclateur pare-étincelles, tel que décrit dans la section 4442, et à moins que l'appareil ne soit maintenu en bon état de fonctionnement. Des éclateurs pare-étincelles sont également requis sur certaines terres forestières des États-Unis et peuvent être exigés légalement sous certains autres lois et arrêtés.

 **AVERTISSEMENT** Les gaz d'échappement contiennent des produits chimiques qui, dans certaines quantités, peuvent causer le cancer, les anomalies congénitales ou d'autres maux de reproduction.

## MESURES DE SÉCURITÉ IMPORTANTES

### • CONSERVER CES DIRECTIVES •



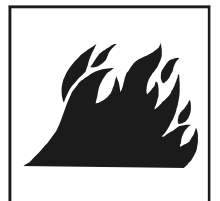
### AVERTISSEMENT

Lors de l'utilisation de ce produit, toujours observer les mesures de base portant sur la sécurité, y compris les mesures suivantes :



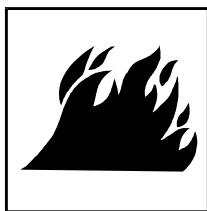
### DANGER

### RISQUES D'ÉLECTROCUTION ET D'INCENDIE



DANGER	RISQUES	PRÉVENTION
Tenter de brancher la génératrice directement au système électrique d'un édifice quelconque.	<p>L'acheminement d'une tension électrique à travers un système électrique, vers les lignes de distribution électrique extérieures, risque de mettre en danger les techniciens en train d'essayer de rétablir l'alimentation électrique.</p> <p>Toute tentative de brancher la génératrice à un service public d'électricité risque d'entraîner une électrocution.</p> <p>Le rétablissement du service électrique lorsque la génératrice est branchée à un service public d'électricité, risque de provoquer un incendie ou des dommages sérieux si aucun interrupteur d'isolation n'est installé.</p> <p>Si aucun inverseur bidirectionnel n'est utilisé en branchant l'appareil au système électrique d'un bâtiment, cela risque de causer des dommages aux appareils ménagers et <b>ANNULERA</b> la garantie du fabricant.</p>	<p>Ne jamais acheminer une tension électrique vers les lignes de distribution électrique extérieures d'un édifice.</p> <p>Brancher la génératrice au système électrique d'un édifice d'une manière sécuritaire en utilisant toujours un inverseur bidirectionnel, installé par un électricien qualifié, conformément aux ordonnances locales.</p> <p><b>(Un fil de calibre 10, au minimum, doit être utilisé pour l'installation d'un inverseur bidirectionnel.)</b></p>

**VEUILLEZ VOUS ASSURER DE BIEN COMPRENDRE TOUS CES  
AVERTISSEMENTS AVANT D'UTILISER LA GÉNÉRATRICE**



**⚠ AVERTISSEMENT**

**RISQUES D'INCENDIE**

<b>DANGER</b>	<b>RISQUES</b>	<b>PRÉVENTION</b>
Remplissage du réservoir à carburant pendant que la génératrice est en marche. Étincelles, incendie, objets chauds.	L'essence ou les vapeurs d'essence peuvent s'enflammer au contact de composantes chaudes telles que silencieux, gaz d'échappement du moteur ou d'une étincelle électrique.	Arrêter le moteur et le laisser refroidir avant d'ajouter de l'essence dans le réservoir. S'assurer de la disponibilité d'un extincteur certifié pour les incendies impliquant de l'essence ou du carburant dans la zone de remplissage.
Entreposage inapproprié du carburant.	Les cigarettes, les étincelles, les incendies ou d'autres objets chauds peuvent entraîner l'inflammation de l'essence ou des vapeurs d'essence	Remplir le réservoir dans une zone bien aérée. S'assurer qu'aucune source d'inflammation n'est à proximité de la génératrice.
Aération inappropriée pour la génératrice.	L'entreposage inapproprié du carburant peut entraîner une inflammation accidentelle. Du carburant conservé dans des zones non sécuritaires pourrait être à la portée des enfants ou d'autres personnes non qualifiées.	Entreposer l'essence dans des contenants approuvés par l'OSHA et conçus pour de l'essence. Entreposer les contenants dans des endroits sécuritaires afin d'en empêcher l'utilisation par d'autres personnes.
Modification des réglages de vitesse du moteur du fabricant.	Des matériaux placés contre ou à proximité de la génératrice ou l'utilisation de la génératrice dans des zones où la température ambiante excède 104° F (40° C) (tels que les salles d'entreposage ou les garages) peuvent entraver l'efficacité du système d'aération et provoquer ainsi une surchauffe et une inflammation des matériaux ou des édifices.	Utiliser la génératrice dans un endroit propre, sec et bien aéré, et s'assurer qu'elle se trouve à au moins quatre pieds (1,2 m) de tout édifice, objet ou mur. <b>NE PAS UTILISER L'APPAREIL À L'INTÉRIEUR OU DANS UN ENDROIT CLOS.</b>
Remplissage excessif du réservoir à carburant - déversement de carburant.	La vitesse du moteur a été réglée à l'usine par le fabricant afin d'en assurer un fonctionnement sécuritaire. La modification des réglages de la vitesse du moteur peut provoquer une surchauffe des composantes reliées et entraîner un incendie.	Ne jamais tenter d'augmenter la vitesse du moteur en vue d'obtenir un meilleur rendement car si vous le faites, la tension et la fréquence de sortie seraient hors norme et présenteraient des risques aux composantes reliées et à l'utilisateur.
	Les déversements de carburant et les vapeurs s'en échappant peuvent s'enflammer au contact de surfaces chaudes ou d'étincelles.	Prendre toutes les précautions d'usage lors du remplissage du réservoir afin d'éviter tout déversement de carburant. S'assurer que le bouchon du réservoir est correctement fermé et vérifier si de l'essence fuit du moteur avant de mettre le moteur en marche. Déplacer la génératrice de la zone de remplissage ou de tout déversement avant de mettre le moteur en marche. Laisser assez d'espace pour l'expansion de l'essence. Garder le niveau d'essence à un maximum de 1/4 de pouce sous la partie supérieure du réservoir d'essence. Ne jamais remplir le réservoir lorsque le moteur est en marche.

**VEUILLEZ VOUS ASSURER DE BIEN COMPRENDRE TOUS CES  
AVERTISSEMENTS AVANT D'UTILISER LA GÉNÉRATRICE**



**⚠ DANGER**

**RISQUES DE BLESSURES ET DE  
DOMMAGES À LA PROPRIÉTÉ PENDANT  
LE TRANSPORT DE LA GÉNÉRATRICE**

<b>DANGER</b>	<b>RISQUES</b>	<b>PRÉVENTION</b>
Incendie, inhalation et dommages aux surfaces du véhicule.	Des fuites ou des déversements de carburant ou d'huile peuvent se produire et entraîner des risques d'incendie ou des problèmes aux voies respiratoires, des blessures graves ou la mort. Des fuites de carburant ou d'huile endommagent les tapis, la peinture et toute autre surface des véhicules ou des remorques.	Si la génératrice est munie d'une soupape d'arrêt, tourner la soupape à la position fermée avant le transport de façon à éviter tout risque de fuite. Si la génératrice n'est pas munie d'une soupape d'arrêt, vidanger l'essence du réservoir avant le transport. Ne transporter l'essence que dans des contenants approuvés par l'OSHA. Pour le transport, toujours placer la génératrice sur un tapis de protection pour éviter l'endommagement du véhicule par des fuites. Retirer la génératrice du véhicule immédiatement à l'arrivée.



**⚠ DANGER**

**RISQUES AUX VOIES RESPIRATOIRES  
ET RISQUES D'INHALATION**

<b>DANGER</b>	<b>RISQUES</b>	<b>PRÉVENTION</b>
Les moteurs à essence produisent des émanations de monoxyde de carbone toxiques.	L'inhalation de gaz d'échappement peut entraîner des blessures graves ou la mort.	Utiliser la génératrice dans un endroit propre, sec et bien aéré. Ne jamais utiliser l'appareil dans des endroits clos tels que garages, sous-sols et hangars d'entreposage ni dans des endroits occupés par des êtres humains ou des animaux. Garder les enfants, les animaux domestiques et autres, loin de la zone de l'appareil en marche.

**VEUILLEZ VOUS ASSURER DE BIEN COMPRENDRE TOUS CES  
AVERTISSEMENTS AVANT D'UTILISER LA GÉNÉRATRICE**



**⚠ DANGER**

**RISQUES DE BLESSURES ET DE  
DOMMAGES À LA PROPRIÉTÉ PENDANT  
LE TRANSPORT DE LA GÉNÉRATRICE**

<b>DANGER</b>	<b>RISQUES</b>	<b>PRÉVENTION</b>
Incendie, inhalation et dommages aux surfaces du véhicule.	Des fuites ou des déversements de carburant ou d'huile peuvent se produire et entraîner des risques d'incendie ou des problèmes aux voies respiratoires, des blessures graves ou la mort. Des fuites de carburant ou d'huile endommagent les tapis, la peinture et toute autre surface des véhicules ou des remorques.	Si la génératrice est munie d'une soupape d'arrêt, tourner la soupape à la position fermée avant le transport de façon à éviter tout risque de fuite. Si la génératrice n'est pas munie d'une soupape d'arrêt, vidanger l'essence du réservoir avant le transport. Ne transporter l'essence que dans des contenants approuvés par l'OSHA. Pour le transport, toujours placer la génératrice sur un tapis de protection pour éviter l'endommagement du véhicule par des fuites. Retirer la génératrice du véhicule immédiatement à l'arrivée.



**⚠ DANGER**

**RISQUES AUX VOIES RESPIRATOIRES  
ET RISQUES D'INHALATION**

<b>DANGER</b>	<b>RISQUES</b>	<b>PRÉVENTION</b>
Les moteurs à essence produisent des émanations de monoxyde de carbone toxiques.	L'inhalation de gaz d'échappement peut entraîner des blessures graves ou la mort.	Utiliser la génératrice dans un endroit propre, sec et bien aéré. Ne jamais utiliser l'appareil dans des endroits clos tels que garages, sous-sols et hangars d'entreposage ni dans des endroits occupés par des êtres humains ou des animaux. Garder les enfants, les animaux domestiques et autres, loin de la zone de l'appareil en marche.



**VEUILLEZ VOUS ASSURER DE BIEN COMPRENDRE TOUS CES  
AVERTISSEMENTS AVANT D'UTILISER LA GÉNÉRATRICE**



**⚠ AVERTISSEMENT**

**RISQUES D'UNE UTILISATION DANGEREUSE**

<b>DANGER</b>	<b>RISQUES</b>	<b>PRÉVENTION</b>
Utilisation de la génératrice avec négligence.	Toutes les sources d'énergie représentent des risques potentiels de blessures. Utiliser ou entretenir la génératrice avec négligence peut entraîner des blessures graves ou la mort.	<ul style="list-style-type: none"> <li>• Consulter à nouveau ce manuel afin de bien comprendre les directives d'utilisation et les avertissements.</li> <li>• Se familiariser avec le fonctionnement et les commandes de l'appareil. Il est important de connaître la façon de mettre rapidement l'appareil hors fonction.</li> <li>• S'assurer de la disponibilité d'un extincteur certifié pour les incendies impliquant de l'essence ou du carburant dans la zone d'utilisation.</li> <li>• Garder les enfants et les autres personnes éloignés en tout temps de la zone d'utilisation.</li> </ul>
Fonctionnement des appareils électroménagers sensibles aux variations de tension sans protecteur de surtension.	Toutes les génératrices domestiques à essence produisent des variations de tension pouvant endommager les appareils sensibles aux variations de tension ou provoquer un incendie.	Utiliser toujours un protecteur de surtension homologué U.L. pour brancher les appareils sensibles à la tension, tels que les téléviseurs, ordinateurs ou chaînes stéréo. <b>Le manquement à utiliser en tout temps un protecteur de surtension homologué U.L. annule la garantie de la génératrice.</b> <b>Remarque :</b> Une lisière à prises multiples n'est pas un protecteur de surtension ; s'assurer d'utiliser un protecteur de surtension homologué U.L.
Suspension ou soulèvement non approprié de génératrices équipées d'anneaux de levage	<p>La génératrice peut tomber, entraînant des blessures graves ou la mort de l'opérateur ou d'autres personnes.</p> <p>Une suspension ou un soulèvement non approprié risque d'endommager la génératrice.</p>	<p>Toujours suivre la procédure de connexion appropriée indiquée dans ce guide en attachant les câbles, les chaînes ou les sangles pour soulever ou suspendre une génératrice équipée d'anneaux de levage.</p> <p>Toujours utiliser des câbles, des chaînes ou des sangles capables d'accepter une charge de 2 000 lb ou plus pour soulever ou suspendre une génératrice.</p>
Fonctionnement d'une génératrice lorsqu'elle est suspendue	La génératrice sera endommagée et ne fonctionnera pas de façon appropriée ; de plus elle peut entraîner des blessures graves ou la mort de l'opérateur ou d'autres personnes.	Ne jamais faire fonctionner la génératrice lorsqu'elle est suspendue ou lorsqu'elle n'est pas à niveau. Toujours utiliser la génératrice sur une surface plate et à niveau.

**VEUILLEZ VOUS ASSURER DE BIEN COMPRENDRE TOUS CES  
AVERTISSEMENTS AVANT D'UTILISER LA GÉNÉRATRICE**



**⚠ AVERTISSEMENT**

**RISQUES RELIÉS AUX SURFACES CHAUDES**

<b>DANGER</b>	<b>RISQUES</b>	<b>PRÉVENTION</b>
Contact avec les composants chaudes du moteur et de la génératrice.	Le contact avec les surfaces chaudes, telles que les composants d'échappement du moteur, peut entraîner des brûlures graves.	Lors du fonctionnement, ne toucher que les surfaces de commande de la génératrice. En tout temps, garder les enfants éloignés de la génératrice. Ils ne sont peut-être pas capables de détecter les risques inhérents à ce produit.



**⚠ AVERTISSEMENT**

**RISQUES RELIÉS AUX PIÈCES MOBILES**

<b>DANGER</b>	<b>RISQUES</b>	<b>PRÉVENTION</b>
Le contact avec des pièces mobiles peut entraîner des blessures graves.	Pendant le fonctionnement de la génératrice, certaines de ses pièces tournent à des vitesses élevées. Ces pièces sont recouvertes de dispositifs de sécurité pour éviter toute blessure.	Ne jamais faire fonctionner la génératrice lorsque les dispositifs de sécurité ou les couvercles ne sont pas en place. Éviter de porter des vêtements amples ou des bijoux qui risquent d'entrer en contact avec les pièces mobiles.



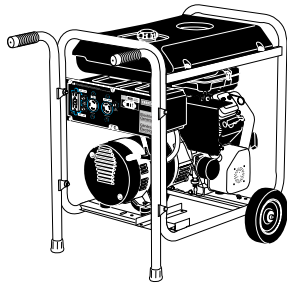
**⚠ AVERTISSEMENT**

**RISQUES LORS DU LEVAGE**

<b>DANGER</b>	<b>RISQUES</b>	<b>PRÉVENTION</b>
Levage d'objets lourds.	Le levage d'objets trop lourds peut entraîner des blessures graves.	Le poids de la génératrice est trop élevé pour qu'une personne seule la soulève. Demander l'aide d'autres personnes avant de la déplacer.

# ASSEMBLAGE

## CONTENU DE L'EMBALLAGE



1 - Génératrice

## 1 - Sac à pièces



1 - Guide de l'utilisateur



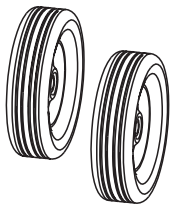
\*1 - Fiche à enclenchement L5-30P



\*1 - Fiche à enclenchement L14-30P

\* **⚠ AVERTISSEMENT** À installer et/ou à utiliser conformément aux codes et normes appropriés de l'électricité. Consulter les directives fournies pour assurer une pose appropriée.

## Pièces et boîte à pièces pour l'ensemble de roues



2 - Roues



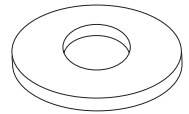
2 - Pièces d'écartement pour essieu



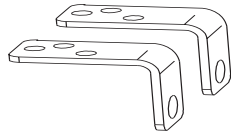
1 - Goupille fendue



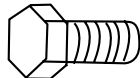
1 - Capuchon d'extrémité d'essieu



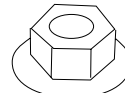
1 - Rondelle 3/4 OD x 11/16 ID



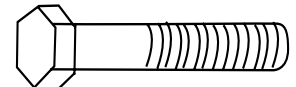
2 - Supports



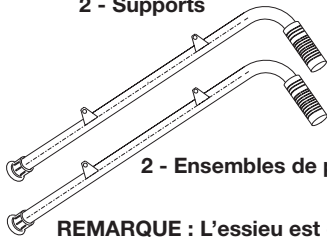
3 - Vis à chapeau 5/16 po-18 x 3/4 po



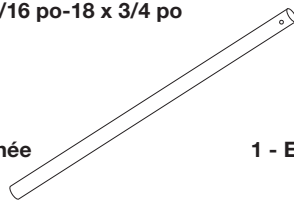
7 - Contre-écrous de 5/16 po-18



4 - Vis à chapeau 5/16 po-18 x 1 3/4 po

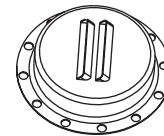


2 - Ensembles de poignée

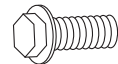


1 - Essieu

REMARQUE : L'essieu est entreposé dans un des ensembles de poignée lors du transport.

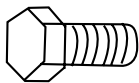


1 - Déflecteur thermique à volets



4 - Vis, HH#8-32

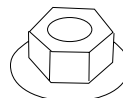
## Sac à pièces pour la pose de la batterie



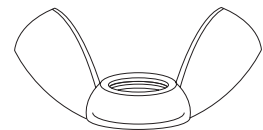
1 - Vis à chapeau 5/16 po-18 x 3/4 po



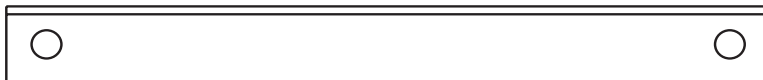
1 - Rondelle étoilée



1 - Contre-écrou 5/16 po-18



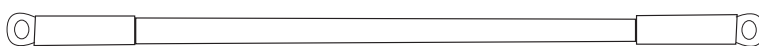
2 - Écrou à oreilles



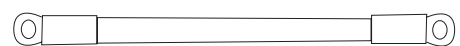
1 - Support de batterie en «L»



2 - Pièce de retenue de batterie



1 - Câble positif de batterie (rouge) avec gânes de batterie



1 - Câble négatif de batterie (noir)

## **⚠ MISE EN GARDE**

Lisez le Guide de l'utilisateur. Ne tentez pas de faire fonctionner cet appareil avant d'avoir lu les **directives sur les mesures de sécurité, l'assemblage, le fonctionnement, l'entretien et l'entreposage** contenues dans le Guide de l'utilisateur.

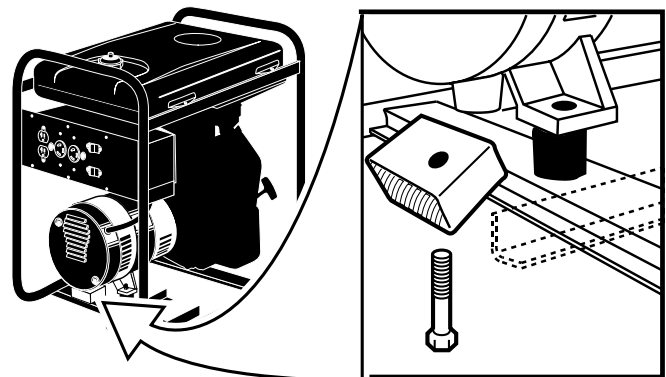
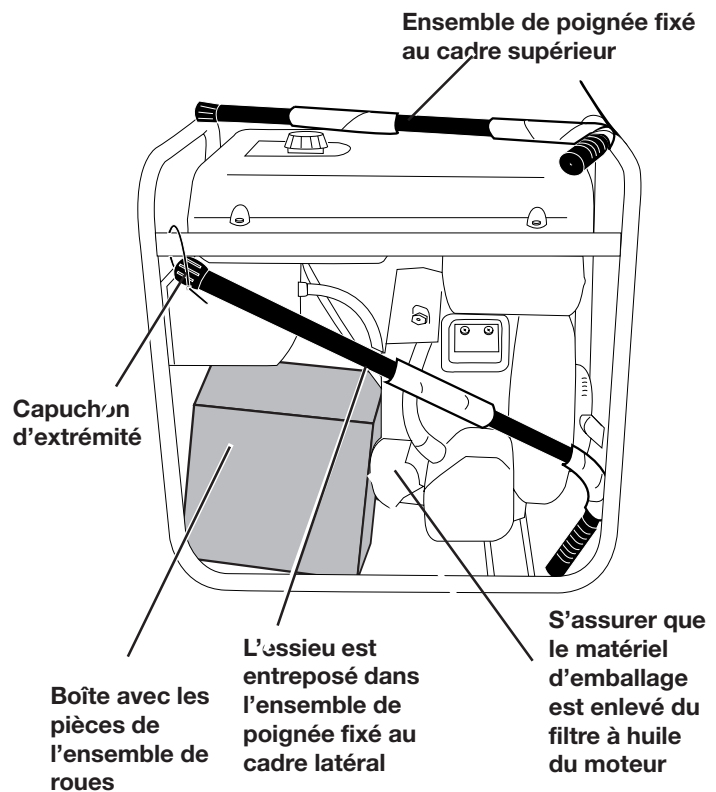
## **OUTILS REQUIS POUR L'ASSEMBLAGE**

- 1 - Couteau ou ciseau à débiller
- 2 - Clés de 1/2 po
- 1 - Pince coupe-fil
- 1 - Marteau
- 1 - Douille de 1/2 po et clé à douille
- 1 - Douille de 1/4 po et clé à douille
- 1 - Morceau de bois de 1 pi x 1 pi x 1 po d'épaisseur

## **RETRAIT DE LA GÉNÉRATRICE DE SON EMBALLAGE**

- Ouvrir le carton par le dessus.
- Couper le carton en suivant le pointillé
- Retirer la génératrice en la passant par l'ouverture dans le carton.
- Retirer la boîte avec les pièces de l'ensemble de roues.
- Couper l'attache en fil fixant l'ensemble de poignée au cadre supérieur.
- Couper les attaches en fil fixant l'ensemble de poignée au cadre latéral. L'essieu est entreposé dans cet ensemble de poignée lors du transport. Retirer le capuchon d'extrémité et sortir l'essieu de l'ensemble de poignée. Réinsérer le capuchon d'extrémité avec une rondelle.
- Enlever tout le matériel d'emballage des ensembles de poignée et du filtre à huile du moteur.
- Mettre de côté les ensembles de poignée pour la pose lors de l'assemblage de l'ensemble de roues.
- À l'aide d'une douille de 1/2 po, enlever le bloc d'expédition sous la tête de la génératrice. Dévisser le boulon et retirer le bloc de bois. **REMARQUE** : Il est très important que le bloc soit enlevé avant de faire démarrer la génératrice.

**IMPORTANT** : Avant toute tentative de démarrage de la génératrice, s'assurer de vérifier l'huile du moteur (Voir "Remplissage d'huile moteur" dans la section "Fonctionnement à la page 15 de ce guide.

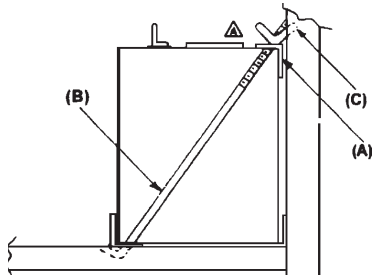


## POSE TYPIQUE D'UNE BATTERIE

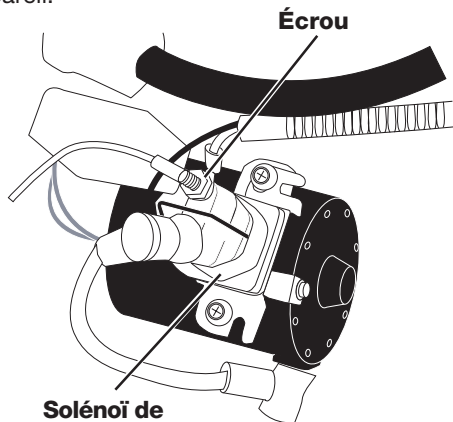
Batterie recommandée pour le démarrage électrique : 12 V, 45 Ah ou 210 CCA (Ampérage pour démarrage à froid)

Acheter la batterie et la quincaillerie pour la batterie séparément ; elles ne sont pas fournies avec l'appareil.

- Placer la batterie dans le cadre avec les bornes dirigées vers la tête de la génératrice.
- Placer le support de batterie (A) sur la batterie tel qu'illustré (sur le côté opposé des bornes de la batterie).



- Insérer le boulon en "L" (B) à travers le support supérieur et le support inférieur et le serrer à l'aide de l'écrou à oreilles (C).
- Chercher l'emplacement du solénoïde au côté gauche de l'appareil.

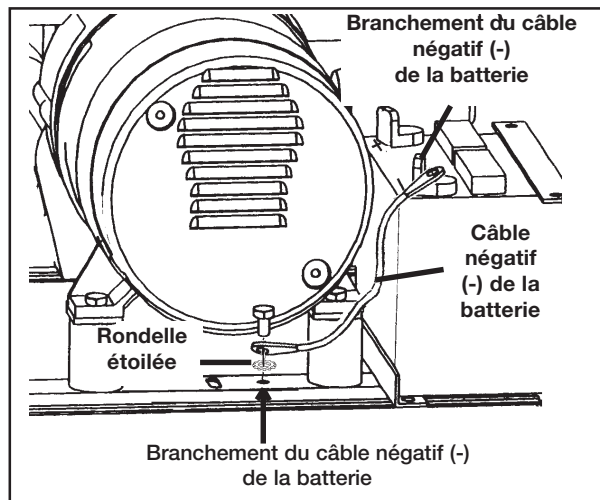


**⚠ AVERTISSEMENT** Pour éviter la production d'étincelles, brancher le câble rouge (positif) à la borne positive (+) avant de brancher le câble noir (négatif).

- Retirer l'écrou de la borne du solénoïde et placer une extrémité du câble positif (rouge) de la batterie sur cette borne. Remettre l'écrou et bien le serrer.
- Brancher l'autre extrémité du câble positif (rouge) de la batterie à la borne positive (+) de la batterie.

**REMARQUE :** S'assurer que les gâines rouges couvrent les bornes du câble positif de la batterie, au niveau de la batterie et du solénoïde.

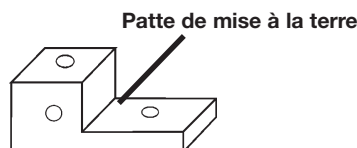
- Brancher une extrémité du câble négatif (noir) à la borne négative (-) de la batterie.
- Brancher l'autre extrémité du câble négatif (noir) au cadre, tel qu'illustré. Poser la rondelle étoilée entre le câble et le cadre.



## MISE À LA TERRE DE LA GÉNÉRATRICE

Une patte de mise à la terre est fournie avec la génératrice. Elle doit être utilisée si les normes d'électricité locales l'exigent. Se référer à l'article 250 du Code national de l'électricité (National Electrical Code) pour de plus amples renseignements sur la mise à la terre. Votre compagnie de service électrique locale ou un électricien qualifié devrait être dans la mesure de vous offrir ces renseignements.

**REMARQUE :** Le moteur est déjà mis à la terre grâce à une courroie de terre reliée au bâti de l'appareil.



## POSE DE L'ENSEMBLE DE ROUES

L'ensemble de roues de Sears a été conçu pour faciliter le transport de votre génératrice.

**⚠ MISE EN GARDE** Vidanger l'essence et l'huile avant de procéder à l'assemblage de l'ensemble de roues pour génératrice. Sinon, il y a risque d'endommager le moteur.

**REMARQUE :** Respecter la réglementation provinciale ou municipale pour assurer une élimination appropriée de l'huile.

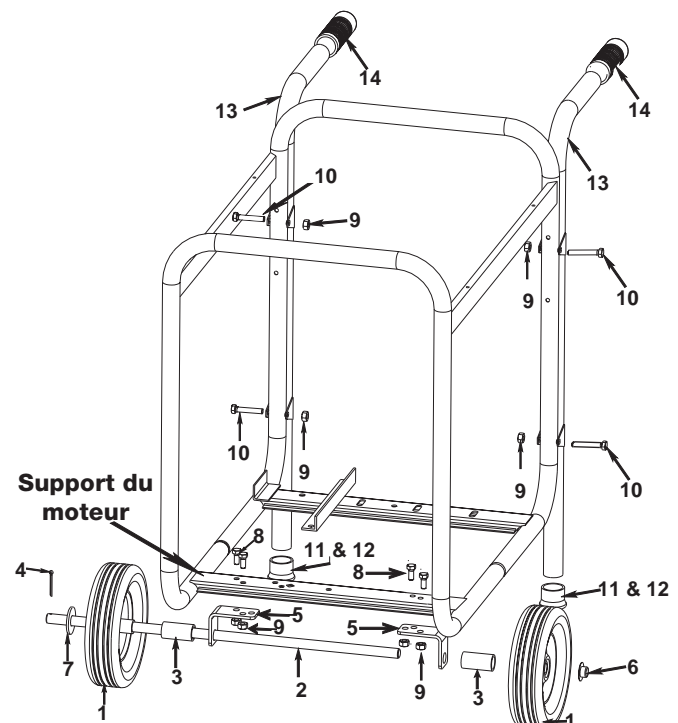
- Placer la génératrice au niveau du sol ; vidanger complètement le moteur de l'huile et de l'essence (voir le guide de l'utilisateur du moteur pour connaître les procédures appropriées).
- Placer un bloc de bois de 1 pi x 1 pi x 1 po au sol à l'avant du moteur. Avec l'aide d'une autre personne, incliner la génératrice et laisser reposer le démarreur à corde sur le bloc de bois. **REMARQUE :** Cela soutient le moteur à essence durant l'assemblage et facilite la tâche.
- À l'aide de deux vis (8) et deux écrous de blocage (9), installer la fixation des roues (5) dans le bas, du côté droit du support du moteur, tel que montré.
- a) Enlever l'écrou de blocage au bas de l'isolant.
- b) Placer la fixation de roues sur la vis déjà en place, en alignant les orifices de la fixation avec les orifices de la structure. Fixer avec l'écrou de blocage qui a été enlevé.
- c) Placer une vis (8) dans le deuxième orifice et fixer à l'aide de l'écrou de blocage (9).
- Donner des petits coups sur la chape d'essieu (6) située sur l'extrémité de l'essieu (2) sans orifice, avec un marteau.
- Glisser une roue (1) sur l'essieu, avec le moyeu allongé pointant dans le sens opposé de la chape d'essieu.
- Glisser une bague d'espacement d'essieu (3) contre la roue (1).
- Glisser l'essieu (2) dans les orifices des fixations de roue (5).
- Installer la deuxième bague d'espacement (3) puis, la deuxième roue (1) avec le moyeu allongé vers l'intérieur.
- Placer la rondelle plate (7) contre la douille de la roue et glisser la clavette d'essieu (4) à travers l'orifice dans l'essieu (2). Plier la clavette d'essieu (4) pour la fixer en

place.

- Serrer les écrous de blocage sur les fixations de roue.
- Aligner les fixations de poignée avec les orifices de la structure près de l'extrémité du réceptacle de la génératrice.
- Installer les vis à six pans (10) et les écrous de blocage (9) tel que montré. Serrer à l'aide de la clé de 1/2 po.
- Avec l'aide d'une autre personne, incliner soigneusement la génératrice en position pour son utilisation.
- À l'aide des quatre vis #8-32 HH, poser le déflecteur thermique à volets au silencieux. Orienter le déflecteur thermique en dirigeant les volets d'aération vers l'arrière du moteur.

**IMPORTANT :** Dans le but d'empêcher des dommages ainsi que tout risque de danger, ne pas orienter le déflecteur dans une autre position.

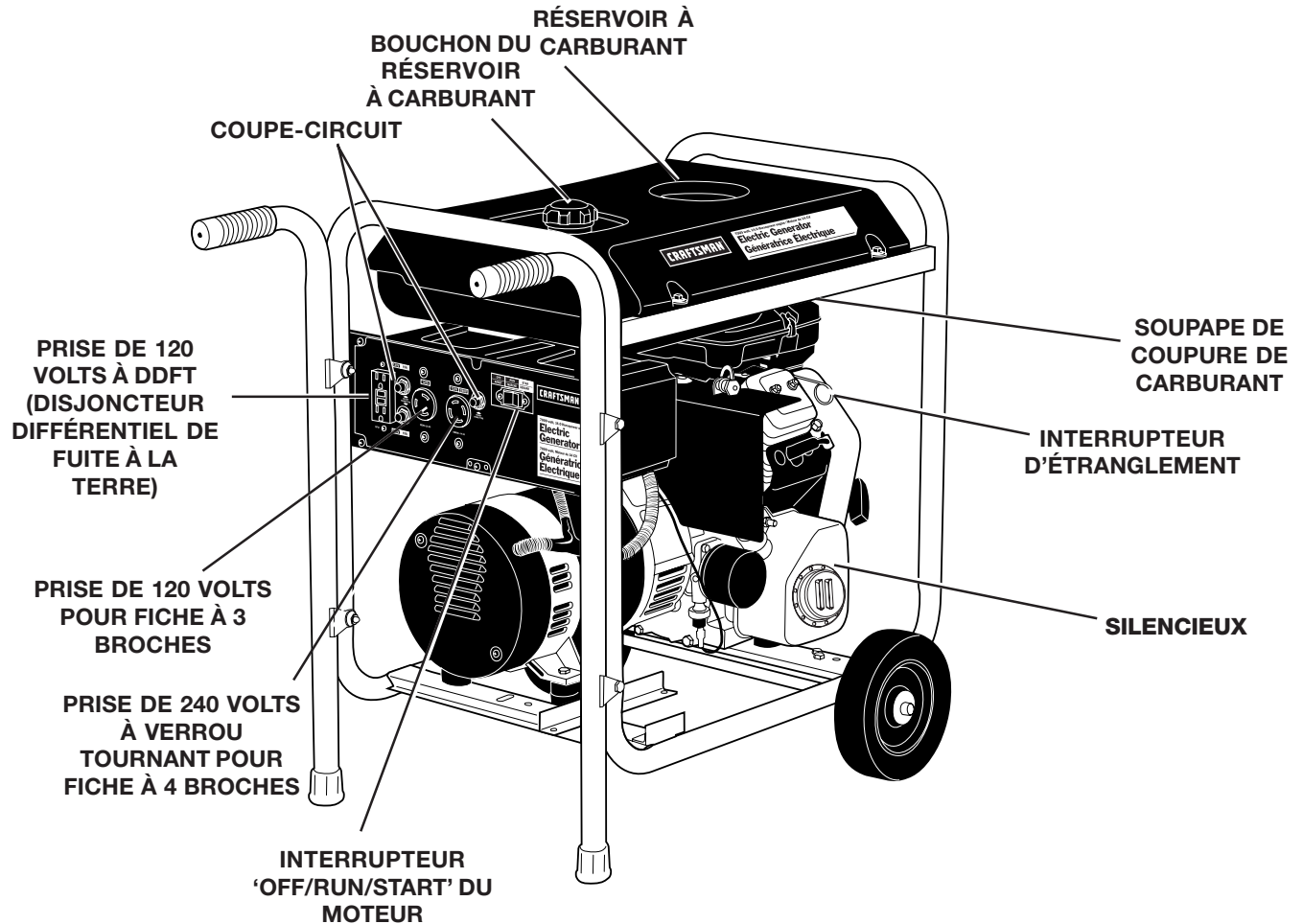
- L'ensemble de roues pour génératrice est prêt à être utilisé.



# FONCTIONNEMENT

## BIEN CONNAÎTRE VOTRE GÉNÉRATRICE

Lire ce Guide de l'utilisateur et les mesures de sécurité avant de faire fonctionner votre génératrice. Comparer ce schéma avec votre génératrice afin de vous familiariser avec l'emplacement des commandes et des réglages. Conserver ce guide à titre de référence future.



**RÉSERVOIR À CARBURANT** – Capacité de 7 gallons US (26,5 litres).

**COMMANDE D'ÉTRANGLEMENT** - Utilisée pour démarrer le moteur à froid.

**INTERRUPTEUR D'ARRÊT/MARCHE/DÉMARRAGE 'OFF/RUN/START' DU MOTEUR** - Utilisé pour démarrer et arrêter le moteur.

**SOUPAPE DE COUPURE DE CARBURANT (située sur le moteur)** - Sert à couper l'alimentation de carburant au moteur.  
- Sert à couper l'alimentation de carburant au moteur.

**ORIFICE DE REMPLISSAGE D'HUILE MOTEUR** - Utilisée pour vérifier le niveau d'huile et pour ajouter de l'huile au moteur.

**FILTRE À AIR** – Comprend un élément filtrant ainsi qu'un filtre préliminaire en mousse réduisant la quantité de poussière entrant dans le moteur.

**COUPE-CIRCUIT** – Chaque prise est dotée d'un coupe-circuit pour protéger la génératrice contre toute surcharge.

**PRISE DE 120 VOLTS À DDFT (DISJONCTEUR DIFFÉRENTIEL DE FUITE À LA TERRE)** - Les prises à DDFT réduisent le risque de chocs électriques en déclenchant leur coupe-circuit incorporé lorsqu'ils décèlent des fluctuations dans le courant. Cette prise est protégée par un coupe-circuit de 30 ampères.

**PRISE DE 120 VOLTS POUR FICHE À 3 BROCHES** - Utilisée pour fournir une puissance électrique de 3 500 watts et est protégée par un coupe-circuit de 30 ampères.

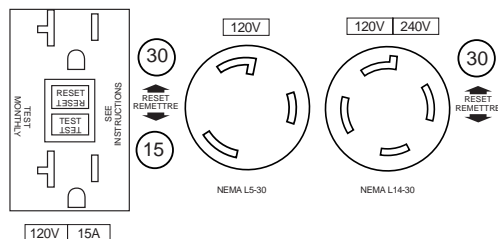
**PRISE DE 240 VOLTS À VERROU TOURNANT POUR FICHE À 4 BROCHES** - Utilisée pour fournir une puissance électrique de 7 000 watts et est protégée par un coupe-circuit de 30 ampères.

## PRISES

Votre génératrice est équipée des prises suivantes :

- une prise duplex de 120 volts à DDFT, protégée par un coupe-circuit de 30 ampères.
- une prise de 120 volts, à verrou tournant pour fiche à 3 broches, protégée par un coupe-circuit de 30 ampères.
- une prise de 240 volts, à verrou tournant pour fiche à 4 broches, protégée par un coupe-circuit de 30 ampères.

Les coupe-circuit sont incorporés pour protéger la génératrice contre une surcharge électrique. Si le coupe-circuit se déclenche, débrancher la charge électrique de la prise. Laisser refroidir le coupe-circuit et appuyer ensuite sur le bouton pour le rétablir.



## DISPOSITIF D'ARRÊT SUITE À UN NIVEAU BAS D'HUILE

Le moteur de votre génératrice Craftsman est équipé d'un dispositif d'arrêt suite à un niveau bas d'huile. Ce dispositif de sécurité protège le moteur contre tout dommage provoqué par un niveau bas d'huile dans le carter.

Si le niveau d'huile devient trop bas lorsque le moteur tourne, l'appareil s'arrête et ne démarre plus à moins qu'une quantité d'huile suffisante ne soit ajoutée. Si le niveau d'huile est insuffisant avant le démarrage, la génératrice ne démarrera pas à moins qu'une quantité d'huile suffisante ne soit ajoutée.

**REMARQUE :** Le mécanisme d'arrêt suite à un niveau bas d'huile est très sensible. Il faut ajouter assez d'huile pour atteindre la marque indiquant le plein sur la jauge d'huile afin de désactiver ce dispositif de sécurité.

## CAPACITÉ DE LA GÉNÉRATRICE

Si la capacité nominale de la génératrice est dépassée, cela risque de causer des dommages importants à la génératrice et aux dispositifs électriques branchés. Suivre les directives suivantes afin d'empêcher toute surcharge de l'appareil :

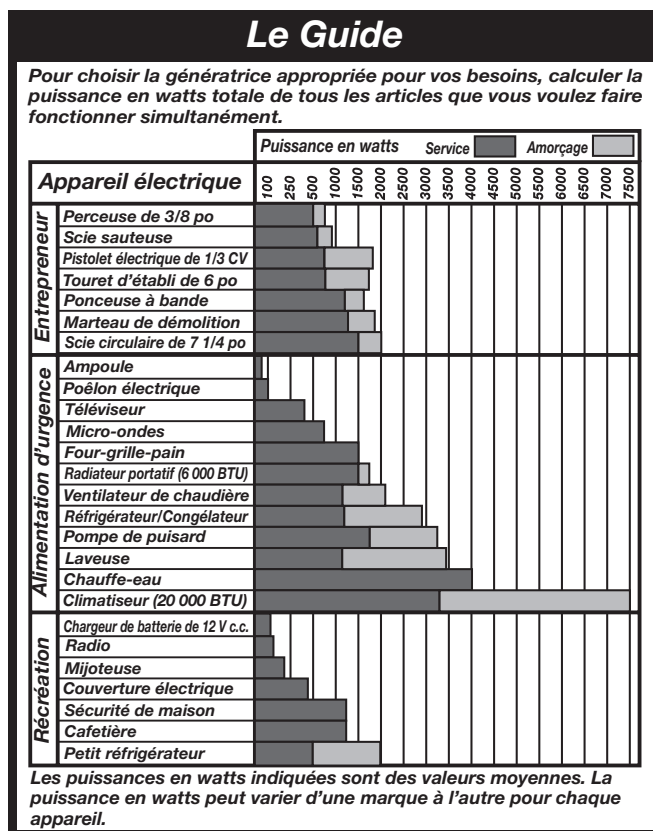
- Il faut toujours calculer les puissances d'amorçage et de service en watts pour déterminer la capacité en watts de la génératrice nécessaire pour l'appareil ou l'outil à brancher.
- Votre génératrice peut alimenter deux types d'appareils électriques :
  - A. Les articles tels que radios, ampoules, téléviseurs et micro-ondes ont une "charge ohmique". Les puissances d'amorçage et de service en watts de ces articles sont identiques.
  - B. Les articles tels que réfrigérateurs, compresseurs d'air, laveuses, sécheuses et outils à main équipés d'un moteur électrique ont une "charge inductive". Les appareils ménagers et outils à charge inductive exigent, pour le **démarrage**, une puissance en watts qui est d'environ 2 à 4 fois plus élevée que la puissance de service en watts indiquée. Cette charge initiale ne dure que pendant quelques secondes lors du démarrage, mais elle est très importante pour le calcul de la puissance totale en watts.

**REMARQUE :** Certains appareils et outils inductifs indiquent, sur la plaque signalétique du moteur, les tensions d'amorçage et de service ainsi que l'intensité requis. Utiliser le formule suivant pour convertir la tension et l'intensité en watts : **(volts x ampères = watts)**

- Toujours démarrer le moteur électrique le plus puissant en premier et brancher ensuite les autres appareils, un à la fois.

**REMARQUE :** La puissance d'amorçage maximum en watts pour les charges de 120 volts **NE** devrait **PAS** dépasser la moitié de la capacité nominale en watts de la génératrice. Par exemple : une génératrice à capacité nominale de 7000 watts peut accepter une puissance d'amorçage maximum de 3500 watts.

Le guide ci-dessous est fourni pour vous aider à déterminer quels appareils et outils peuvent être alimentés avec la capacité en watts de votre génératrice.



## COMMENT OBTENIR DE L'ÉLECTRICITÉ DE LA GÉNÉRATRICE

Il y a deux façons d'obtenir de l'électricité de la génératrice :

- Utiliser des rallonges branchées directement de la génératrice aux appareils, lampes, outils etc.
- Utiliser un inverseur bidirectionnel installé directement à la source de distribution électrique principale à l'extérieur de la maison.

### Rallonges

Afin de réduire le risque de chocs électriques en utilisant un appareil ou un outil considérablement éloigné de la génératrice, il FAUT se servir d'une rallonge à trois fils, dotée d'une fiche de mise à la terre à trois broches, et d'une prise à trois fentes qui s'adapte à la fiche de l'outil. Il faut également utiliser une rallonge de longueur appropriée. Avec une intensité d'au moins 20 ampères des fils de calibre 12, au minimum, peuvent être utilisés. Si l'intensité dépasse 20 ampères, des fils de calibre 10 devraient être utilisés.



**AVERTISSEMENT :** Si une rallonge est chaude, elle est trop chargée. Réparer ou remplacer immédiatement toute rallonge endommagée.

## Branchement de la génératrice à la source de distribution électrique principale

Des dangers potentiels se présentent lorsqu'une génératrice électrique est branchée à la source de distribution électrique principale entrant dans une maison. À ce point la génératrice peut retourner un courant vers le système d'alimentation électrique public et risque d'envoyer des chocs électriques aux techniciens en train de réparer les lignes d'alimentation électrique. Pour éviter le retour de courant dans le système de service public, un **inverseur bidirectionnel** devrait être installé entre la génératrice et le système de service public. Ce dispositif devrait être installé par un électricien autorisé, conformément à tous les codes locaux de l'électricité.

**REMARQUE :** Des fils de calibre 10, au minimum, doivent être utilisés pour l'installation d'un inverseur bidirectionnel.

## AVANT DE DÉMARRER LE MOTEUR

**MISE EN GARDE :** Vérifier le niveau d'huile moteur avant chaque démarrage. La mise en marche du moteur lorsque le niveau d'huile est insuffisant, ou lorsqu'il n'y a pas d'huile du tout, risque d'endommager le moteur.

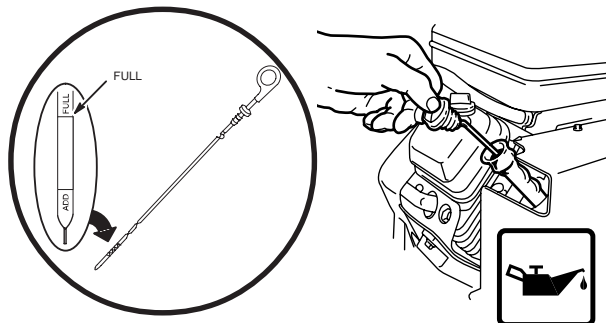
## Remplissage d'huile moteur

Votre génératrice a été expédiée **sans** huile dans le moteur. Retirer la jauge d'huile et le bouchon. Verser lentement de l'huile dans le moteur.

Le moteur peut contenir environ 48 onces (1,4 l) d'huile.

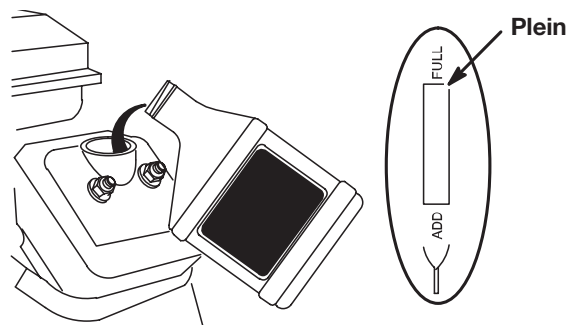
### Pour vérifier le niveau d'huile :

- Placer le moteur dans une position horizontale. Nettoyer la région autour de l'orifice de remplissage d'huile et de la jauge d'huile.
- Retirer la jauge d'huile et l'essuyer avec un chiffon.
- Réinsérer la jauge d'huile et le retirer encore une fois pour vérifier le niveau d'huile. S'assurer que le niveau d'huile reste au niveau de la ligne indiquant le plein ('FULL') de la jauge.



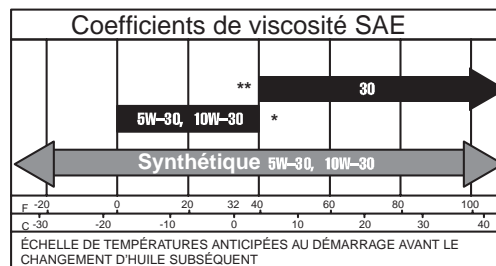
### Pour ajouter de l'huile :

- Retirer le bouchon de remplissage d'huile.
- Ajouter lentement de l'huile jusqu'à ce que le niveau d'huile atteigne la ligne indiquant le plein 'FULL' de la jauge. Ne pas trop remplir.



- Réinsérer fermement la jauge d'huile.

**REMARQUE :** Lorsqu'il faut ajouter de l'huile au carter du moteur, utiliser une huile détergente de haute qualité, de grade SAE 30 et de catégorie 'Pour service SF, SG, SH, SJ'. Ne pas utiliser des additifs spéciaux. Choisir la viscosité de l'huile selon les températures prévues lors de l'utilisation de l'appareil.



## Essence

### Pour ajouter de l'essence :

- Retirer le bouchon du réservoir à essence

**AVERTISSEMENT :** Arrêter le moteur et le laisser refroidir pendant au moins 2 minutes avant de retirer le bouchon du réservoir à essence.



- Verser lentement de l'essence sans plomb dans le réservoir.

Utiliser de l'essence ordinaire pure, propre et sans plomb, ayant un indice d'octane d'au moins 85. Utiliser de l'essence sans plomb seulement. Ne pas utiliser de l'essence contenant du méthanol. Ne jamais mélanger de l'huile avec l'essence.

**MISE EN GARDE :** Ne jamais remplir le réservoir à carburant jusqu'au bout. Remplir le réservoir jusqu'à 1/2 po sous la base du col de remplissage afin de permettre l'expansion du carburant. Essuyer tout carburant versé sur le moteur ou sur l'équipement avant de démarrer le moteur.

- Ne pas trop remplir.
- Remettre le bouchon du réservoir à essence.

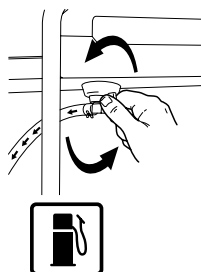
**AVERTISSEMENT :** Ne jamais remplir le réservoir à carburant à l'intérieur. Ne jamais remplir le réservoir à carburant lorsque le moteur tourne ou lorsqu'il est encore chaud. Ne pas fumer au moment de remplir le réservoir.

## Démarrage du moteur

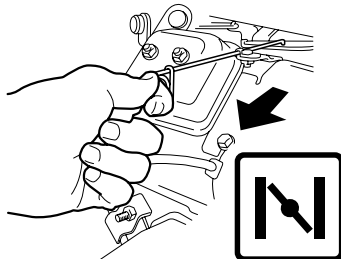
**MISE EN GARDE** Ne jamais faire tourner le moteur à l'intérieur ou dans un endroit fermé sans aération adéquate. Les gaz d'échappement du moteur contiennent du monoxyde de carbone, un gaz toxique, sans odeur.

**IMPORTANT :** S'assurer que la batterie est bien entretenue, complètement chargée et posée de façon appropriée avant le démarrage.

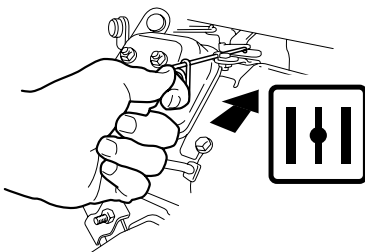
- Ouvrir la soupape de coupure de carburant. La tourner dans le sens contraire des aiguilles d'une montre jusqu'à ce qu'elle s'arrête.



- Tirer la commande d'étranglement jusqu'à la position d'étranglement 'CHOKE'.



**REMARQUE :** Aucun étranglement n'est nécessaire pour un moteur chaud. Pousser la commande d'étranglement vers l'intérieur pour démarrer un moteur chaud.

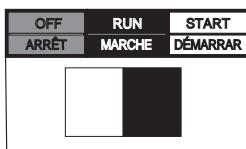


**MISE EN GARDE :** Il faut absolument débrancher toute charge de la génératrice avant de la mettre en marche afin d'éviter d'endommager de façon permanente les appareils branchés.

### Démarrage électrique :

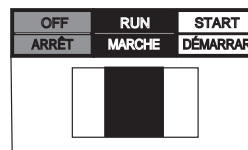
- Placer l'interrupteur d'arrêt/marche/démarrage 'OFF/RUN/START' en position de démarrage 'START'.

**REMARQUE :** Une fois le moteur en marche, l'interrupteur restera en position de marche 'RUN'.



### Démarrage à rappel :

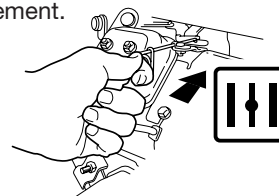
- Placer l'interrupteur d'arrêt/marche/démarrage 'OFF/RUN/START' en position de marche 'RUN'.



- Saisir la poignée du démarreur et tirer lentement la corde jusqu'à ce qu'on sente une résistance. Laisser la corde retourner lentement. Tirer ensuite rapidement la corde sur toute la longueur du bras. Laisser la corde retourner lentement. Répéter au besoin.

**REMARQUE :** SI LE NIVEAU D'HUILE DU MOTEUR EST INSUFFISANT, LE MOTEUR NE DÉMARRERA PAS. VÉRIFIER LE NIVEAU D'HUILE ET EN AJOUTER AU BESOIN.

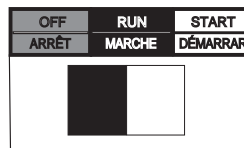
- Une fois que le moteur est chaud, pousser graduellement la commande d'étranglement vers l'intérieur, à la position sans étranglement.



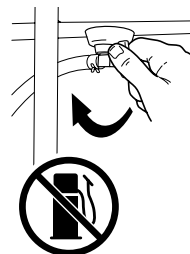
**IMPORTANT :** Lors d'un démarrage initial, laisser la génératrice fonctionner sans charge pendant 5 minutes afin de permettre au moteur et à la génératrice de se stabiliser.

### Arrêt du moteur

- Débrancher toutes les charges électriques.
- Placer l'interrupteur 'OFF/RUN/START' en position 'OFF'.



- Fermer la soupape de coupure de carburant.



**IMPORTANT :** Ne jamais entreposer le moteur lorsqu'il y a du carburant dans le réservoir, à l'intérieur, dans un endroit fermé sans aération adéquate ou dans un endroit où les gaz de carburant risquent d'atteindre une flamme nue.

## BRANCHEMENT DE CHARGES ÉLECTRIQUES

1. Pour réchauffer le moteur après le démarrage, le laisser tourner sans charge électrique pendant cinq minutes.

Brancher les charges de la façon suivante afin d'éviter d'endommager l'équipement :

- Brancher les charges inductives en premier; les charges inductives comprennent les réfrigérateurs, congélateurs, pompes à eau, climatiseurs et les petits outils à main. Brancher en premier les articles nécessitant la plus grande puissance en watts. Voir la section intitulée "**Calcul de la puissance en watts**".
- Brancher ensuite les lumières.

- Les appareils sensibles à la tension devraient être branchés à la génératrice en dernier lieu. Brancher les appareils sensibles à la tension, tels que les téléviseurs, magnétoscopes, micro-ondes, fours, ordinateurs et téléphones sans fil, dans un protecteur de surtension homologué UL et brancher ensuite le protecteur de surtension dans la génératrice.

**IMPORTANT :** Calculer toujours le total de la puissance nominale en watts de tous les outils, lampes et appareils que vous désirez utiliser simultanément. Ce total ne devrait pas dépasser la capacité nominale de votre génératrice ni les caractéristiques nominales du coupe-circuit de la prise alimentant les appareils.

## ENTRETIEN

**TABLEAU DES RESPONSABILITÉS DU CLIENT**

TÂCHE D'ENTRETIEN	Toutes les 8 heures ou quotidiennement	Toutes les 25 heures ou chaque saison	Toutes les 50 heures ou chaque saison	Toutes les 100 heures ou chaque saison	Mensuellement
Vérification du niveau d'huile	X				
Changement de l'huile			Voir Remarque 1		
Changement du filtre à huile				X	
Entretien du filtre préliminaire		Voir Remarque 2			
Entretien de la cartouche du filtre à air		Voir Remarque 2			
Pare-étincelles (si compris)			X		
Nettoyage du système de refroidissement				Voir Remarque 2	
Vérification de la bougie d'allumage				X	
Remplacement du filtre à carburant en ligne				X	
DDFT (Disjoncteur différentiel de fuite à la terre)					X
Préparation de l'appareil pour l'entreposage	Préparer l'appareil pour l'entreposage s'il ne sera pas utilisé pendant 30 jours ou plus.				

**Remarque 1 :** Changer l'huile après les premières cinq (5) heures de service, à toutes les 25 heures si l'appareil est utilisé avec une charge lourde ou à une température ambiante élevée, et à toutes les 50 heures de service par la suite.

**Remarque 2 :** Nettoyer plus souvent si l'appareil est utilisé dans un environnement poussiéreux.

## RECOMMANDATIONS GÉNÉRALES

La garantie de la génératrice ne comprend pas les pièces qui ont subi un dommage causé par un emploi abusif ou une négligence de la part de l'utilisateur. Pour s'assurer de tirer pleinement avantage de la garantie, l'utilisateur doit entretenir la génératrice selon les directives contenues dans ce guide.

De temps à autre, certains réglages sont nécessaires pour entretenir la génératrice.

## ENTRETIEN DE LA GÉNÉRATRICE

Votre génératrice doit être propre et sèche en tout temps. La génératrice ne devrait pas être utilisée ou entreposée dans un environnement excessivement humide ou poussiéreux, ni en présence de vapeurs corrosives. Dans ces cas, nettoyer la génératrice en l'essuyant avec un chiffon ou une brosse à poils souples. Ne pas se servir d'un tuyau d'arrosage ou d'un appareil de lavage sous pression pour nettoyer la génératrice. L'eau risque de s'infiltrer dans les fentes d'aération et d'endommager le rotor, le stator et les enroulements internes de la tête de la génératrice.

Tous les réglages indiqués dans la section portant sur l'entretien de ce guide devraient être effectués au moins une fois dans chaque saison.

## ENTRETIEN DU MOTEUR

**AVIS : L'entretien, le remplacement ou la réparation des dispositifs et systèmes de contrôle des émissions peuvent être effectués par toute personne ou établissement faisant la réparation de moteurs non routiers. Toutefois, afin d'obtenir des réparations sans frais selon les conditions de la garantie du fabricant du moteur, tout entretien, toute réparation ou tout remplacement de pièces du contrôle des émissions doivent être effectués par un concessionnaire autorisé de l'usine.**

### Huile

- Pour vérifier l'huile, voir le paragraphe «**Remplissage d'huile moteur**» dans la section de ce guide intitulée «**Fonctionnement**».

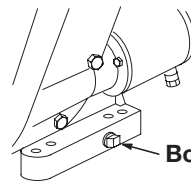
### Changement de l'huile moteur

Pour un nouveau moteur, changer l'huile après **les premières 2 heures de service** et à toutes les **50 heures** pour les changements subséquents.

Changer l'huile tandis que le moteur est encore chaud. L'huile s'écoulera librement et transportera plus d'impuretés. S'assurer que le moteur est à niveau lors du remplissage, de la vérification et du changement d'huile.

### Effectuer le changement d'huile de la façon suivante :

- Pour empêcher l'entrée de saletés, de l'herbe coupée etc. dans le moteur, nettoyer la surface autour du bouchon de vidange et de la jauge d'huile avant de les enlever.
- Débrancher le fil de la bougie d'allumage et le garder éloigné de la bougie d'allumage. Débrancher la batterie à la borne négative.
- Avec le moteur arrêté mais encore chaud, retirer le bouchon de vidange d'huile et vidanger l'huile dans un récipient approprié.



Bouchon de vidange d'huile

### ⚠ MISE EN GARDE

L'huile usée constitue un produit dangereux pour l'environnement. Veuillez éliminer l'huile moteur usée d'une manière appropriée. Ne pas jeter l'huile dans les ordures domestiques. Consulter les autorités locales, une station-service locale ou un concessionnaire pour connaître l'emplacement des installations pour l'élimination/le recyclage.

- Remettre le bouchon de vidange. Retirer le bouchon de remplissage d'huile.
- Remplir le carter avec de l'huile neuve, du type approprié (voir le paragraphe «**Remplissage d'huile moteur**» dans la section intitulée «**Fonctionnement**»), jusqu'à ce que le niveau atteigne la marque sur la jauge indiquant le plein ('FULL'). Toujours vérifier le niveau à l'aide de la jauge avant d'ajouter plus d'huile.



Plein

- Remettre le capuchon ou le bouchon de remplissage d'huile et bien le serrer.

### Changement du filtre à huile

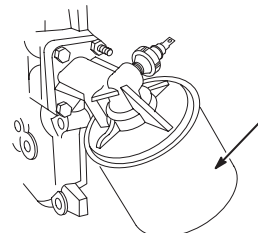
Changer le filtre à huile à toutes les 100 heures ou chaque saison.

- Vidanger l'huile moteur et retirer le filtre à huile.

### ⚠ MISE EN GARDE

L'huile usée constitue un produit dangereux pour l'environnement. Veuillez éliminer l'huile moteur usée d'une manière appropriée. Ne pas jeter l'huile dans les ordures domestiques. Consulter les autorités locales, une station-service locale ou un concessionnaire pour connaître l'emplacement des installations pour l'élimination/le recyclage.

- Avant d'insérer un filtre neuf, appliquer une légère couche d'huile fraîche et propre au joint d'étanchéité du filtre.
- Visser le filtre à la main jusqu'à ce que le joint d'étanchéité entre en contact avec l'adaptateur du filtre à huile. Le serrer 1/2 à 3/4 de tour de plus.
- Ajouter de l'huile fraîche. Voir le paragraphe «**Remplissage d'huile moteur**» dans la section de ce guide intitulée «**Fonctionnement**».
- Démarrer le moteur et le laisser tourner au ralenti pour vérifier la présence de fuites.
- Arrêter le moteur, vérifier de nouveau le niveau d'huile et ajouter de l'huile au besoin.



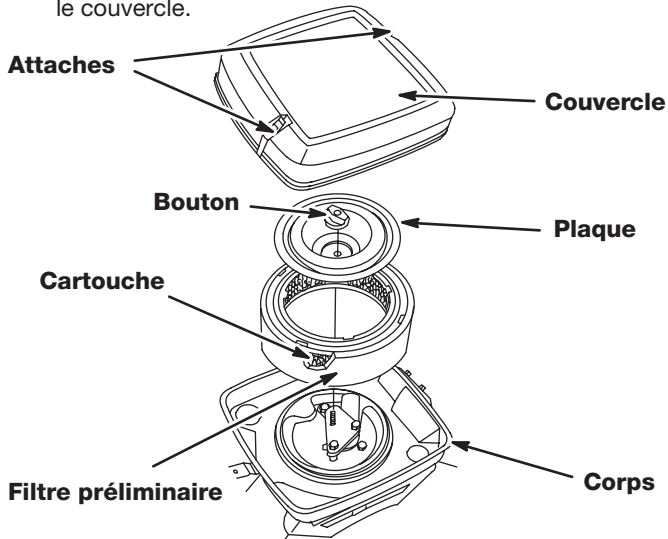
Filtre à huile

## Filtre à air

**⚠ MISE EN GARDE** Ne pas utiliser de l'air comprimé ou des dissolvants pour nettoyer la cartouche. L'air comprimé peut endommager la cartouche et les dissolvants feront dissoudre la cartouche.

Pour l'entretien de l'ensemble de filtre à air, procéder comme suit :

- Ouvrir les attaches des deux côtés du couvercle et retirer le couvercle.



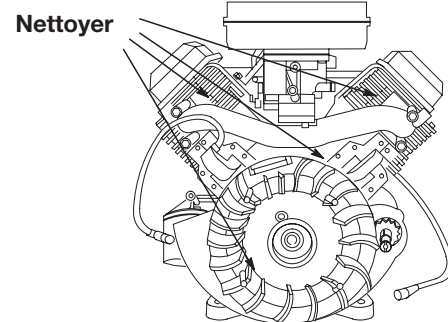
- Retirer le bouton et la plaque. Retirer avec soin l'ensemble de filtre à air afin d'empêcher l'entrée de débris dans le carburateur.
- Nettoyage du filtre préliminaire et de la cartouche :  
**Filtre préliminaire :**
  - Séparer le filtre préliminaire de la cartouche et le laver à l'eau avec un détergent liquide.
  - Exprimer l'eau à l'aide d'un chiffon propre.
  - Tremper le filtre préliminaire dans un bain d'huile moteur. Exprimer tout EXCÈS d'huile dans un chiffon propre et absorbant.

### Cartouche :

- Taper légèrement la cartouche sur une surface plate.
- Placer le filtre préliminaire propre (ou neuf) sur la cartouche propre (ou neuve).
- Remettre l'ensemble de filtre à air, la plaque et le bouton dans le corps.
- Poser le couvercle et fermer les attaches sur le corps.

## Nettoyage du système de refroidissement

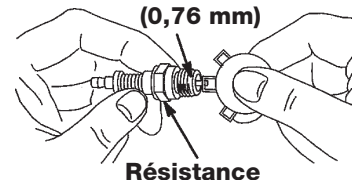
Une accumulation de débris peut obstruer le système de refroidissement à air du moteur. Retirer le logement de la soufflerie et nettoyer la région indiquée afin d'empêcher toute surchauffe et tout dommage au moteur.



## Nettoyage et remplacement de la bougie d'allumage

- Vérifier la bougie d'allumage tous les ans ou toutes les 100 heures de service.
- Nettoyer la surface autour de la bougie d'allumage.
- Enlever et vérifier la bougie.
- Remplacer la bougie si les électrodes sont corrodées, brûlées ou que la porcelaine est fendillée.
- Vérifier la distance d'écartement des électrodes à l'aide d'un calibre d'épaisseur à fils et régler la distance à 0,030 po si nécessaire.
- Poser la bougie et bien serrer.

**Calibre de fil  
0,030 po  
(0,76 mm)**



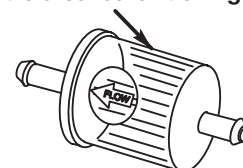
## Remplacement du filtre à carburant en ligne

- Débrancher le fil de la bougie d'allumage et le garder éloigné de la bougie.

**⚠ AVERTISSEMENT** Vidanger le réservoir à carburant ou fermer la soupape de coupure de carburant avant de remplacer le filtre à carburant.

- Remplacer le filtre à carburant en ligne.

### Filtre à carburant en ligne



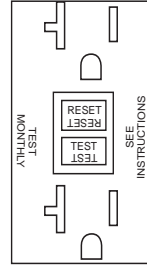
## Disjoncteur différentiel de fuite à la terre (DDFT)

**MENSUELLEMENT:** Pour assurer une protection optimale contre les chocs électriques, il faut tester le DDFT à tous les mois.

### Vérification :

- Appuyer sur le bouton de vérification 'TEST'. Le bouton de rétablissement 'RESET' devrait sortir. Si le bouton 'RESET' ne sort pas, consulter un Centre de service après-vente sous garantie autorisé de DeVilbiss Air Power Company.

- Pour rétablir l'électricité, appuyer fortement sur le bouton 'RESET' afin de le repousser dans le dispositif à DDFT jusqu'à ce qu'on entende un déclic. S'il est rétabli de manière appropriée, le bouton 'RESET' sera à niveau avec la surface du bouton 'TEST'. Si le bouton demeure enfoncé, une alimentation électrique est présente.



## RÉGLAGES D'ENTRETIEN

### Carburateur

Le carburateur de votre génératrice a été préréglé à l'usine. Le carburateur ne doit pas être modifié. Si la génératrice est utilisée à une altitude supérieure à 4 000 pieds (1 219 mètres), le rendement peut être affecté. Dans ce cas, consulter le Centre de service après-vente de Sears le plus proche afin de faire régler l'appareil pour un emploi à haute altitude.

### Régulateur

Le régulateur du moteur maintient constante la vitesse de fonctionnement de votre génératrice. **NE PAS** modifier le régulateur ; il a été réglé à l'usine pour assurer la vitesse appropriée du moteur.

Le fait de faire tourner le moteur à une vitesse supérieure à la vitesse maximale réglée à l'usine peut être dangereux et risque de causer des blessures corporelles ou des dommages à la propriété. Si vous croyez que le moteur tourne trop rapidement ou trop lentement, apportez votre génératrice à un Centre de service après-vente autorisé de Sears pour un réglage ou une réparation.

**MISE EN GARDE :** Une vitesse trop faible du moteur impose une lourde charge sur le moteur. Si la puissance du moteur est insuffisante, la durée de vie utile du moteur peut être raccourcie.

## ENTREPOSAGE

Si la génératrice ne va pas être utilisée pendant 30 jours ou plus, utiliser les renseignements suivants comme guide pour la préparer pour l'entreposage.

### DIRECTIVES POUR L'ENTREPOSAGE

**MISE EN GARDE :** Ne jamais entreposer la génératrice lorsqu'il y a du carburant dans le réservoir, à l'intérieur ou dans un endroit fermé sans aération adéquate où les gaz risquent d'atteindre une flamme nue, une étincelle ou une veilleuse, par exemple sur un fourneau, une chaudière, une sècheuse ou un autre appareil ménager à gaz.

### Préparation du moteur

- Ajouter un agent de stabilisation de carburant au réservoir afin de minimiser la formation de dépôts de gomme de carburant lors de l'entreposage.
- Faire tourner le moteur pendant au moins 10 minutes après avoir ajouté l'agent de stabilisation afin de lui permettre d'entrer dans le système d'alimentation.
- Couper ensuite le moteur.
- Débrancher le fil de la bougie d'allumage et retirer la bougie.
- Ajouter une cuillère à thé d'huile dans l'orifice pour bougie d'allumage.

- Placer un chiffon sur l'orifice pour bougie d'allumage et tirer sur la corde à recul à quelques reprises pour lubrifier la chambre de combustion.
- Remettre la bougie d'allumage mais sans brancher le fil de la bougie.

**REMARQUE :** Si aucun agent de stabilisation n'est utilisé, vidanger toute l'essence du réservoir et du carburateur afin d'empêcher la formation de dépôts de gomme sur ces pièces, ce qui pourrait provoquer le mauvais fonctionnement du moteur.

### Génératrice

- Nettoyer la génératrice tel qu'indiqué à la page 18, dans le paragraphe intitulé 'Entretien de la génératrice'.

### Batterie

- Entreposer la batterie selon les directives du fabricant de la batterie.

**REMARQUE :** Après un entreposage prolongé de la batterie, il se peut qu'elle ait perdu sa charge. Si la batterie a perdu sa charge, démarrer manuellement le moteur avec la batterie branchée. Le moteur rechargera la batterie pendant qu'il tourne.

# GUIDE DE DÉPANNAGE

<b>PROBLÈME</b>	<b>CAUSE</b>	<b>CORRECTION</b>
<b><i>Le moteur ne démarre pas</i></b>	<ol style="list-style-type: none"> <li>1. Niveau bas de carburant ou d'huile.</li> <li>2. Contact d'allumage en position d'arrêt 'Off'.</li> <li>3. Bougie d'allumage défectueuse.</li> <li>4. Étrangleur est en mauvaise position.</li> <li>5. Soupape de coupure de carburant en position fermée.</li> <li>6. Des charges électriques sur l'appareil lors du démarrage.</li> <li>7. Fil de la bougie d'allumage desserré.</li> </ol>	<ol style="list-style-type: none"> <li>1. Ajouter du carburant ou de l'huile.</li> <li>2. Mettre en position de marche 'ON'.</li> <li>3. Remplacer la bougie d'allumage.</li> <li>4. Régler l'étrangleur à la position appropriée.</li> <li>5. Ouvrir la soupape de coupure de carburant.</li> <li>6. Débrancher toute charge électrique de l'appareil.</li> <li>7. Attacher le fil de la bougie d'allumage.</li> </ol>
<b><i>Aucune puissance électrique</i></b>	<ol style="list-style-type: none"> <li>1. Prise électrique défectueuse.</li> <li>2. Coupe-circuit déclenché.</li> <li>3. Condensateur défectueux.</li> <li>4. Cordon électrique défectueux.</li> <li>5. Coupe-circuit à DDFT déclenché</li> </ol>	<ol style="list-style-type: none"> <li>1. Faire remplacer par un CSA*.</li> <li>2. Appuyer sur le coupe-circuit pour le rétablir.</li> <li>3. Faire remplacer le condensateur par un CSA*.</li> <li>4. Réparer ou remplacer le cordon électrique.</li> <li>5. Appuyer sur le coupe-circuit pour le rétablir.</li> </ol>
<b><i>Le coupe-circuit déclenche continuellement</i></b>	<ol style="list-style-type: none"> <li>1. Surcharge.</li> <li>2. Cordons ou équipement défectueux.</li> </ol>	<ol style="list-style-type: none"> <li>1. Réduire la charge électrique.</li> <li>2. Vérifier s'il y a des fils endommagés, dénudés ou effilochés sur l'équipement. Les remplacer au besoin.</li> </ol>
<b><i>La génératrice surchauffe</i></b>	<ol style="list-style-type: none"> <li>1. Génératrice surchargée.</li> <li>2. Aération insuffisante.</li> </ol>	<ol style="list-style-type: none"> <li>1. Réduire la charge électrique.</li> <li>2. Déplacer l'appareil à un endroit bien aéré.</li> </ol>

# Déclaration de garantie concernant le système de contrôle des émissions

## Déclaration de garantie concernant le système de contrôle des émissions de Briggs & Stratton Corporation (B&S), du CARB (California Air Resources Board) et de la U.S. EPA (United States Environmental Protection Agency) (Droits et obligations du propriétaire concernant la garantie contre les défauts)

LA GARANTIE COUVRANT LES SYSTÈMES DE CONTRÔLE DES ÉMISSIONS S'APPLIQUE AUX MOTEURS CERTIFIÉS, ACHETÉS EN CALIFORNIE EN 1995 OU PLUS TARD ET UTILISÉS EN

CALIFORNIE, ET AUX MOTEURS CERTIFIÉS DE L'ANNÉE-MODÈLE 1997 ET PLUS RÉCENTE, ACHETÉS ET UTILISÉS DANS D'AUTRES ÉTATS DES ÉTATS-UNIS.

### Déclaration de garantie concernant les défauts du système de contrôle des émissions de la Californie et des États-Unis

Le CARB (California Air Resources Board), La U.S. EPA et B&S s'unissent afin de vous expliquer la garantie concernant le système de contrôle des émissions de votre petit moteur non routier (PMNR) de l'année-modèle 2000 ou plus récente. En Californie, les nouveaux petits moteurs non routiers doivent être conçus, fabriqués et munis de l'équipement adéquat afin de répondre aux normes anti-smog rigoureuses de l'état. Dans d'autres états des États-Unis, les nouveaux moteurs non routiers à allumage par étincelles, certifiés pour l'année-modèle 1997 ou plus récente, doivent satisfaire des normes semblables établies par la U.S. EPA. B&S doit garantir le système de contrôle des émissions de votre moteur pour les périodes indiquées ci-dessous, à condition qu'il n'y ait pas eu d'abus, de

négligence ou d'entretien inapproprié de votre petit moteur non routier.

Le système de contrôle des émissions peut inclure des pièces comme le carburateur, l'ensemble de filtre à air, le système d'allumage, le silencieux et le convertisseur catalytique. Des connecteurs et d'autres ensembles reliés au système de contrôle des émissions peuvent également être inclus.

Si les conditions de garantie s'appliquent, B&S réparera votre petit moteur non routier sans frais, y compris le diagnostic, les pièces et la main-d'œuvre.

### Garantie de Briggs & Stratton concernant les défauts du système de contrôle des émissions

Les pièces du système de contrôle des émissions des petits moteurs non routiers sont garanties contre toute défectuosité pour une période de deux ans. Cette garantie est sujette aux dispositions

stipulées ci-après. Si une pièce couverte de votre moteur est défectueuse, elle sera réparée ou remplacée par B&S.

### Responsabilités de garantie du propriétaire

En tant que propriétaire du petit moteur non routier, vous avez la responsabilité d'effectuer l'entretien requis décrit dans le Guide des directives d'utilisation et d'entretien. B&S vous recommande de conserver tous les reçus de caisse pour l'entretien effectué sur votre petit moteur non routier, mais B&S ne peut pas rejeter la garantie uniquement parce que vous n'avez pas de reçus ou que vous ne pouvez fournir de preuves que l'entretien prévu a été effectué.

Vous avez la responsabilité d'apporter votre petit moteur non routier dans un centre de service autorisé de B&S dès que le problème apparaît. Toute réparation incontestée et couverte par la garantie doit être effectuée dans un délai raisonnable et ne doit pas dépasser 30 jours.

Pour toute question concernant les droits et les responsabilités reliés à la garantie, veuillez communiquer avec un représentant de service à la clientèle de B&S en composant le 1-414-259-5262.

En tant que propriétaire du petit moteur non routier, vous devez toutefois savoir que B&S peut rejeter la garantie si votre petit moteur non routier ou une pièce de celui-ci est défectueux à cause d'abus, de négligence, d'entretien inapproprié ou de modifications non approuvées.

La garantie sur le système de contrôle des émissions est une garantie contre les défauts. Les défauts sont déterminés selon le rendement normal du moteur. La garantie n'est pas reliée aux essais sur les gaz d'échappement lors de l'utilisation.

### Dispositions de la garantie de Briggs & Stratton concernant les défauts du système de contrôle des émissions

Les articles suivants sont des dispositions particulières sur la garantie concernant les défauts du système de contrôle des émissions. Il s'agit d'une addition à la garantie de B&S sur les moteurs non sujets aux règlements, qui se trouve dans le Guide des directives d'utilisation et d'entretien.

#### 1. Pièces garanties

Cette garantie s'applique seulement aux pièces figurant dans la liste ci-dessous (les pièces du système de contrôle des émissions) si ces pièces étaient présentes sur le moteur lors de l'achat.

- Système de mesure de carburant
  - Système d'enrichissement pour démarrage à froid
  - Carburateur et pièces internes
  - Pompe à carburant
- Système d'admission d'air
  - Ensemble de filtre à air
  - Tubulure d'admission
- Système d'allumage
  - Bougie(s) d'allumage
  - Système d'allumage par magnéto
- Système catalyseur
  - Convertisseur catalytique
  - Collecteur d'échappement
  - Système d'injection d'air ou soupape d'impulsion
- Divers articles utilisés dans les systèmes ci-dessus
  - Soupapes et interrupteurs à vide, de température, de position ou de temps
  - Connecteurs et ensembles

#### 2. Période de couverture

B&S garantit à l'acheteur original et à tout propriétaire subséquent que les pièces couvertes par la garantie sont libres de tout défaut de matériel et de main-d'œuvre ayant entraîné la défaillance des pièces garanties pour une période de deux ans à partir de la date de livraison du moteur à l'acheteur au détail.

#### 3. Sans frais

#### 4. Exclusions de réclamation et de couverture

Les réclamations de garantie doivent être soumises conformément aux dispositions de la Politique de garantie sur les moteurs de B&S. La couverture de la garantie ne s'applique pas aux défaillances de pièces garanties si les pièces ne sont pas des pièces d'origine B&S ou si les pièces ont subi de l'abus, de la négligence ou un entretien inapproprié, tel que décrit dans la Politique de garantie sur les moteurs de B&S. B&S n'est pas responsable de couvrir les défaillances de pièces garanties si la défaillance est le résultat de l'utilisation de pièces ajoutées ou modifiées, ou de pièces qui ne sont pas des pièces d'origine.

#### 5. Entretien

Toute pièce garantie qui ne doit pas être remplacée selon le calendrier d'entretien requis, ou qui ne doit subir qu'une inspection régulière et pour laquelle les directives indiquent «réparer ou remplacer au besoin», est garantie contre toute défectuosité pendant toute la période de la garantie. Toute pièce garantie qui doit être remplacée selon le calendrier d'entretien requis est garantie contre toute défectuosité seulement pour la durée de temps jusqu'au premier remplacement prévu pour ladite pièce. Toute pièce de rechange à rendement équivalent et à durabilité équivalente peut être utilisée pour l'entretien et les réparations. Le propriétaire est tenu responsable d'effectuer tout l'entretien requis décrit dans le Guide des directives d'utilisation et d'entretien de B&S.

#### 6. Couverture indirecte

La couverture de cette garantie s'étend à la défaillance de tout composant du moteur causée par la défaillance de toute pièce garantie qui est toujours couverte par la garantie.



# REMARQUE

# REMARQUE

# REMARQUE

Monsieur, Madame, Mademoiselle,

Lors de la fabrication de cet article, aucun effort n'a été épargné pour vous offrir une marchandise de toute première qualité. Malheureusement, des erreurs ou des omissions sont quelquefois commises. Si vous remarquez qu'une pièce est manquante ou défectueuse, veuillez contacter votre magasin Sears le plus proche.

**ENTRETIEN ET PIÈCES DE RECHANGE**  
**COMPOSEZ 1-800-665-4455 \***

Conservez ce numéro à portée de la main au cas où vous auriez besoin d'une visite d'entretien ou de pièces de rechange.

Lorsque vous commandez des pièces de rechange, indiquez le nom, la marque et le no de modèle du produit ainsi que le nom et le numéro de la pièce que vous désirez commander.

\* Si vous appelez un centre d'entretien local, composez un des numéros suivants:

Regina - 566-5124

Montreal - 333-5740

Toronto - 744-4900

Halifax - 454-2444

Kitchener - 894-7590

Ottawa - 738-4440

Vancouver - 420-8211

Si vous avez de suggestions nous permettant d'améliorer nos instructions relatives au montage et/ou à l'utilisation du produit, ou le produit lui-même, veuillez remplir le formulaire ci-dessous et l'envoyer à:

Sears Canada Inc.  
222 rue Jarvis  
Toronto, Ontario  
M5B 2B8

A l'attention de acheteur/euse du Serv D671 N° de modèle : \_\_\_\_\_

NOM \_\_\_\_\_

ADRESSE \_\_\_\_\_

CODE POSTAL \_\_\_\_\_ TELEPHONE : \_\_\_\_\_

COMMENTAIRES

\_\_\_\_\_  
\_\_\_\_\_  
\_\_\_\_\_  
\_\_\_\_\_