

CHAMPION

POWER EQUIPMENT™

10006 Santa Fe Springs Road
Santa Fe Springs, CA 90670 USA
Made in China

41351
Rev 41351-20091106



Owner's Manual and Operating Instructions



7800 Starting Watts/6500 Maximum Watts

PORTABLE GENERATOR

Table of Contents

Introduction	1	Storage	16
Portable Power Generator	1	Engine Storage	16
Accessories	1	Generator Storage	16
This Booklet	1	Specifications	17
Manual Conventions	2	Engine Specifications	17
Safety Rules	3	Generator Specifications	17
Controls and Features	5	Fuel	17
Generator	5	Oil	17
Power Panel	6	Spark Plugs	17
Parts Included	7	Valve Clearance	17
Assembly	8	Parts Diagram	18
Remove the Generator from the Shipping		Parts List	19
Carton	8	Wiring Diagram	21
Install the Wheel Kit	8	Troubleshooting	22
Install the Support Leg	8	Warranty	23
Add Engine Oil	9	Warranty Qualifications	23
Add Fuel	9	Repair/Replacement Warranty	23
Grounding	10	Do not return the unit to the place of	
Operation	11	purchase	23
Generator Location	11	Warranty Exclusions	23
Grounding	11	Normal Wear	23
Surge Protection	11	Installation, Use and Maintenance	23
Starting the Engine	11	Other Exclusions	23
Connecting Electrical Loads	11	Limits of Implied Warranty and	
Stopping the Engine	12	Consequential Damage	23
Do Not Overload Generator	12	Contact Information	23
Capacity	12	Address	23
Power Management	12	Customer Service	23
Wattage Reference Chart	13	Technical Service	23
Maintenance	14	Notes	24
Engine Maintenance	14		
Oil	14		
Spark Plugs	14		
Air Filter	15		
Cleaning	15		
Adjustments	15		
Maintenance Schedule	15		
Generator Maintenance	15		

Introduction

Congratulations on your purchase of a Champion Power Equipment generator. CPE designs and builds generators to strict specifications. With proper use and maintenance, this generator will bring years of satisfying service.

This Owner's Manual contains important safety instructions and information. **SAVE THESE INSTRUCTIONS FOR FUTURE REFERENCE.**

Portable Power Generator

This unit is an electric start gasoline engine driven, alternating current (AC) generator. It is designed to supply electrical power for lighting, appliances, tools and similar equipment.

Record the model and serial numbers as well as date and place of purchase for future reference. Have this information available when ordering parts and when making technical or warranty inquiries.

Champion Power Equipment Support
1-877-338-0999
Model Number
41351
Serial Number
Date of Purchase
Purchase Location

Accessories

Champion Power Equipment manufactures and sells accessories designed to help you get the most from your purchase. To find out more about our covers, power cables and storm kits, please visit our web site at

www.championpowerequipment.com

This Booklet

Every effort has been made to ensure the accuracy and completeness of the information in this manual. We reserve the right to change, alter and/or improve the product and this document at any time without prior notice.

Manual Conventions

Manual Conventions

This manual uses the following symbols to help differentiate between different kinds of information. The safety symbol is used with a key word to alert you to potential hazards in operating and owning power equipment.

Follow all safety messages to avoid or reduce the risk of serious injury or death.

DANGER

DANGER indicates an imminently hazardous situation which, if not avoided, *will* result in death or serious injury.

WARNING

WARNING indicates a potentially hazardous situation which, if not avoided, *could* result in death or serious injury.

CAUTION

CAUTION indicates a potentially hazardous situation which, if not avoided, *may* result in minor or moderate injury.

CAUTION

CAUTION used without the safety alert symbol indicates a potentially hazardous situation which, if not avoided, *may* result in property damage.

NOTE

If you have questions regarding your generator, we can help. Please call our help line at 1-877-338-0999.

Safety Rules

WARNING

Read this manual thoroughly before operating your generator. Failure to follow instructions could result in serious injury or death.

WARNING

The engine exhaust from this product contains chemicals known to the state of California to cause cancer, birth defects, or other reproductive harm.

DANGER

Generator exhaust contains carbon monoxide, a colorless, odorless, poison gas. Breathing carbon monoxide will cause nausea, dizziness, fainting or death. If you start to feel dizzy or weak, get to fresh air immediately.

Operate generator outdoors only in a well ventilated area
DO NOT operate the generator inside any building, including garages, basements, crawlspaces and sheds, enclosure or compartment, including the generator compartment of a recreational vehicle.
DO NOT allow exhaust fumes to enter a confined area through windows, doors, vents or other openings.

DANGER CARBON MONOXIDE, using a generator indoors **CAN KILL YOU IN MINUTES**.

DANGER

Rotating parts can entangle hands, feet, hair, clothing and/or accessories.

Traumatic amputation or severe laceration can result.

Keep hands and feet away from rotating parts.
Tie up long hair and remove jewelry.
Operate equipment with guards in place.
DO NOT wear loose-fitting clothing, dangling drawstrings or items that could become caught.

DANGER

Generator produces powerful voltage.

DO NOT touch bare wires or receptacles.
DO NOT use electrical cords that are worn, damaged or frayed.
DO NOT operate generator in wet weather.
DO NOT allow children or unqualified persons to operate or service the generator
Use a ground fault circuit interrupter (GFCI) in damp areas and areas containing conductive material such as metal decking.
Use approved transfer equipment to isolate generator from your electric utility and Notify your utility company before connecting your generator to your power system.

WARNING

Sparks can result in fire or electrical shock.

When servicing the generator:

Disconnect the spark plug wire and place it where it cannot contact the plug.
DO NOT check for spark with the plug removed.
Use only approved spark plug testers.

WARNING

Running engines produce heat.
Severe burns can occur on contact.
Combustible material can catch fire on contact.

DO NOT touch hot surfaces.
Avoid contact with hot exhaust gases.
Allow equipment to cool before touching.
Maintain at least three feet of clearance on all sides to ensure adequate cooling.
Maintain at least five feet of clearance from combustible materials.

Safety Rules

DANGER

Fuel and fuel vapors are highly flammable and extremely explosive.

Fire or explosion can cause severe burns or death.

Unintentional startup can result in entanglement, traumatic amputation or laceration.

When adding or removing fuel

Turn the generator off and let it cool for at least two minutes before removing the fuel cap. Loosen the cap slowly to relieve pressure in the tank.

Only fill or drain fuel outdoors in a well-ventilated area.

DO NOT overfill the fuel tank.

Always keep fuel away from sparks, open flames, pilot lights, heat and other sources of ignition.

DO NOT light or smoke cigarettes.

When starting the generator

DO NOT attempt to start a damaged generator. Make certain that the gas cap, air filter, spark plug, fuel lines and exhaust system are properly in place.

Allow spilled fuel to evaporate fully before attempting to start the engine.

Make certain that the generator is resting firmly on level ground.

When operating the generator:

DO NOT move or tip the generator during operation.

DO NOT tip the generator or allow fuel or oil to spill.

When transporting or servicing the generator:

Make certain that the fuel shutoff valve is in the off position and the fuel tank is empty.

Disconnect the spark plug wire.

When storing the generator:

Store away from sparks, open flames, pilot lights, heat and other sources of ignition.

WARNING

Rapid retraction of the starter cord will pull hand and arm towards the engine faster than you can let go.

Unintentional startup can result in entanglement, traumatic amputation or laceration.

Broken bones, fractures, bruises or sprains could result.

When starting engine, pull the starter cord slowly until resistance is felt and then pull rapidly to avoid kickback.

DO NOT start or stop the engine with electrical devices plugged in.

CAUTION

Exceeding the generator's running capacity can damage the generator and/or electrical devices connected to it

DO NOT overload the generator.

Start the generator and allow the engine to stabilize before connecting electrical loads.

Connect electrical equipment in the off position, and then turn them on for operation.

Turn electrical equipment off and disconnect before stopping the generator.

DO NOT tamper with the governed speed.

DO NOT modify the generator in any way.

CAUTION

Improper treatment or use of the generator can damage it, shorten its life and void your warranty.

Use the generator only for intended uses.

Operate only on level surfaces.

DO NOT expose generator to excessive moisture, dust, or dirt.

DO NOT allow any material to block the cooling slots.

If connected devices overheat, turn them off and disconnect them from the generator.

DO NOT use the generator if:

Electrical output is lost

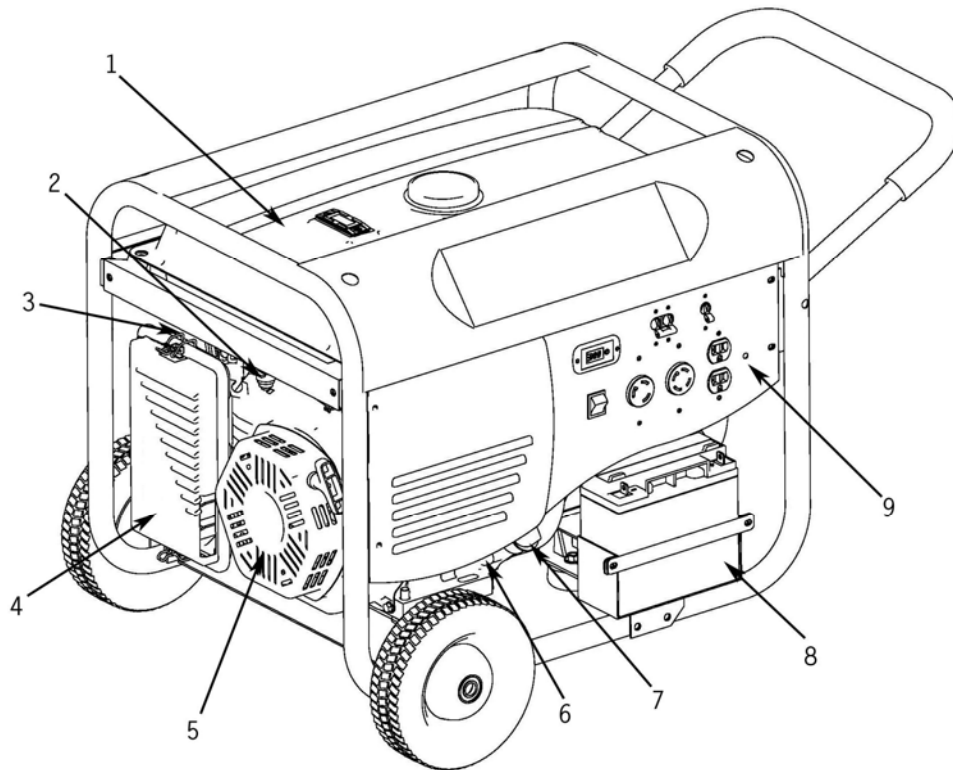
Equipment sparks, smokes or emits flames

Equipment vibrates excessively

Controls and Features

Read this owner's manual before operating your generator. Familiarize yourself with the location and function of the controls and features. Save this manual for future reference.

Generator



(1) Fuel Tank – 6.5 gallon capacity fuel tank.

(2) Fuel Valve – Turn this valve to the “On” position to supply fuel to the engine.

(3) Choke Lever – Used to start the engine

(4) Air Cleaner – Protects the engine by filtering dust and debris from the intake air.

(5) Recoil Starter – Used to start the engine

(6) Low Oil Sensor – Senses the level of oil in the crankcase and shuts the engine down if the level falls too low.

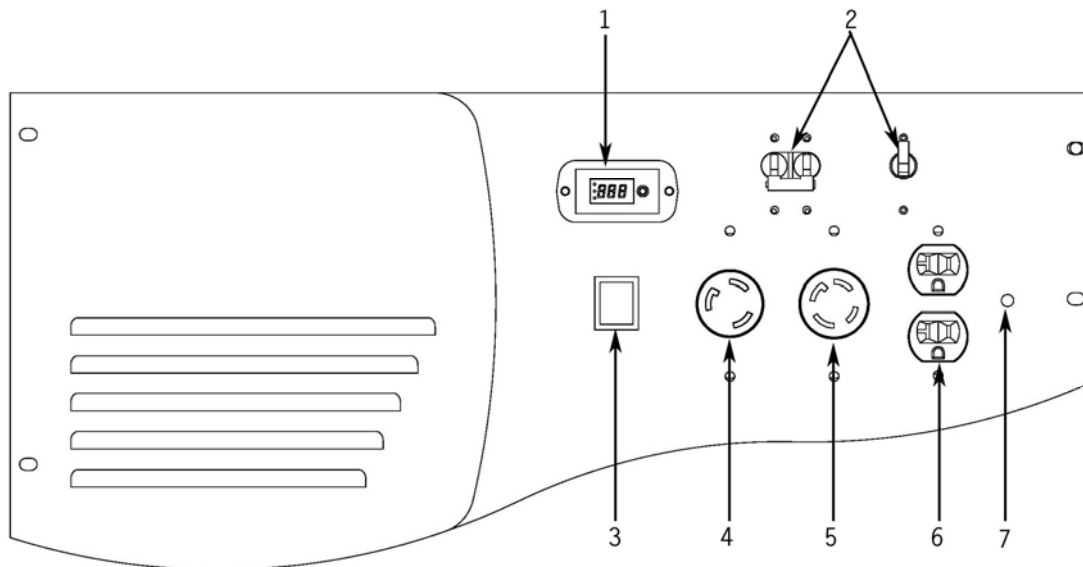
(7) Oil Filler Cap – Check and fill engine oil level.

(8) Battery – Used to start the engine.

(9) Power Panel – See “Power Panel”

Controls and Features

Power Panel



(1) Intelligauge – Three mode digital meter for running hours, voltage and hertz.

(2) Circuit Breakers – Protects the generator against electrical overload.

(3) Engine Switch – Press the switch to the “Start” position to start the generator. Flip to the “Off” position to turn off the generator.

(4) 120 V 30 A Twist-Lock –This receptacle powers 120 Volt AC, 60 Hz, single phase loads requiring up to 3600 watts of power.

(5) 120/240 V 30 A Twist-Lock –This receptacle powers 240 Volt AC, 60 Hz, single phase loads requiring up to 6500 watts maximum. If an L14-30P plug is wired for only one 120 Volt leg (3-wire connection) then this receptacle powers 120 Volt AC, 60 Hz, single phase loads requiring up to 3600 watts maximum.

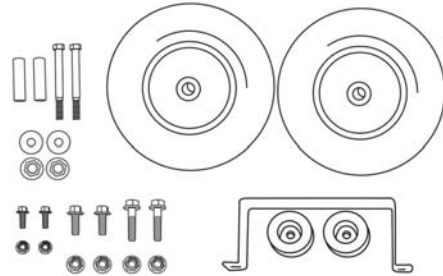
(6) 120 V 20 A Duplex – Use this duplex to operate 120 Volt AC, single phase, 60 Hz loads requiring up to 2400 Watts of power.

(7) Ground Terminal – Consult an electrician for local grounding regulations.

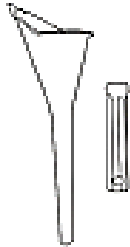
Controls and Features

Parts Included

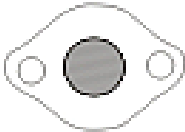
Your 41351 Gasoline Powered Generator ships with the following parts:



- Wheel Kit
- 10" Solid Wheel 2 piece
- Axle Assembly 2 sets
- Support Leg 1 piece
- Vibration Mounts 2 piece
- Support Leg Hardware 1 set
- Battery Hardware 1 set



- Oil Funnel 1 piece
- Spark Plug Socket 1 piece



- Spark Arrester Kit
- Spark Arrester 1 piece
- Cover Plate 1 piece
- Screws, Lock Washers 2 pieces

Assembly

Assembly

Your generator requires some assembly. This unit ships from our factory without oil. It must be properly serviced with fuel and oil before operation.

If you have any questions regarding the assembly of your generator, call our help line at 1-877-338-0999. Please have your serial number and model number available.

Remove the Generator from the Shipping Carton

1. Set the shipping carton on a solid, flat surface.
2. Remove everything from the carton except the generator.
3. Carefully cut each corner of the box from top to bottom. Fold each side flat on the ground to provide a surface area to install the wheel kit and support leg.

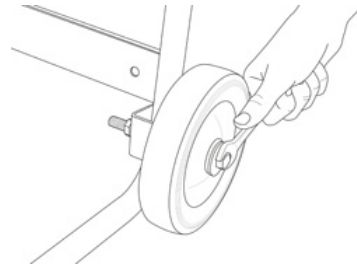
Install the Wheel Kit

CAUTION

The wheel kit is not intended for over-the-road use.

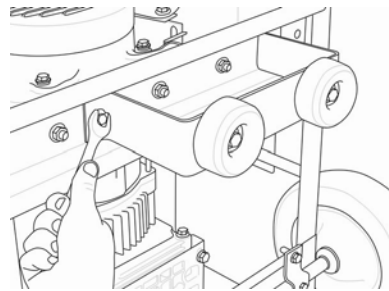
You will need the following tools to install the wheel kit:

- 17 mm wrench OR adjustable wrench (not included)
 - Socket wrench with a 16 mm socket
 - Pliers (not included)
1. Before adding fuel and oil, tip the generator on its side.
 2. Slide the M10x120 wheel bolt through the washer, sleeve and wheel.
 3. Slide the bolt through the mount point on the frame.
 4. Fasten securely with the 10mm nut.
 5. Repeat steps 2-4 to attach the second wheel.



Install the Support Leg

1. Attach the rubber vibration mount to the support leg with a cap screw (M8x25) and lock nut (M8).
2. Attach the support leg to the generator frame with cap screws (M8x16) and lock nuts (M8).
3. Tip the generator slowly so that it rests on the wheels and support leg.

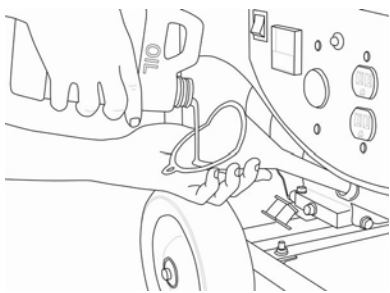


Add Engine Oil

CAUTION

DO NOT attempt to crank or start the engine before it has been properly filled with the recommended type and amount of oil. Damage to the generator as a result of failure to follow these instructions will void your warranty.

1. Place the generator on a flat, level surface.
2. Remove oil fill cap/dipstick to add oil.



3. Add 1.16 qt (1.1 L) of oil and replace oil fill cap/dipstick. See “Specifications” page in the manual for oil recommendations based on operating conditions.
4. Check engine oil level daily and add as needed.

CAUTION

The engine is equipped with a low-oil-shutoff and will stop when the oil level in the crankcase falls below the threshold level.

NOTE

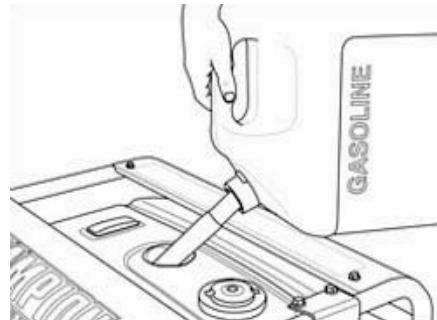
Check oil often during the break-in period. Refer to the Maintenance section for recommended service intervals.

NOTE

The generator rotor has a sealed, pre-lubricated ball bearing that requires no additional lubrication for the life of the bearing.

Add Fuel

1. Use clean, fresh, regular unleaded fuel with a minimum octane rating of 85.
2. DO NOT mix oil with fuel.
3. Clean the area around the fuel cap.
4. Remove the fuel cap
5. Slowly add fuel to the tank. DO NOT overfill. Allow approximately ¼ inch of space for fuel expansion.



6. Screw on the fuel cap and wipe away any spilled fuel.

CAUTION

Use regular unleaded gasoline with a minimum octane rating of 85.

Do not mix oil and gasoline.
Fill tank to approximately ¼” below the top of the tank to allow for fuel expansion.
DO NOT fill fuel tank indoors.
DO NOT fill fuel tank when the engine is running or hot.
DO NOT overfill the fuel tank.
DO NOT light cigarettes or smoke when filling the fuel tank.

Grounding

Your generator must be properly connected to an appropriate ground to help prevent electric shock.



WARNING

Failure to properly ground the generator can result in electric shock.

A ground terminal connected to the frame of the generator has been provided on the power panel. For remote grounding, connect a length of heavy gauge (12 AWG minimum) copper wire between the generator ground terminal and a copper rod driven into the ground. We strongly recommend that you consult with a qualified electrician to ensure compliance with local electrical codes.

Operation

Generator Location

Please consult your local authority. In some areas, generators must be registered with the local utility.

Generators used at construction sites may be subject to additional rules and regulations. This generator must have at least five feet of clearance from combustible material. Leave at least three feet of clearance on all sides of the generator to allow for adequate cooling, maintenance and servicing.

Place the generator in a well-ventilated area. DO NOT place the generator near vents or intakes where exhaust fumes could be drawn into occupied or confined spaces. Carefully consider wind and air currents when positioning generator.

Grounding

The generator system ground connects the frame to the ground terminals on the power panel. The system ground is connected to the AC neutral wire.

Surge Protection

CAUTION

Voltage fluctuation may impair the proper functioning of sensitive electronic equipment.

Electronic devices, including computers and many programmable appliances use components that are designed to operate within a narrow voltage range and may be affected by momentary voltage fluctuations. While there is no way to prevent voltage fluctuations, you can take steps to protect sensitive electronic equipment.

1. *Install UL1449, CSA-listed, plug-in surge suppressors on the outlets feeding your sensitive equipment.*

Surge suppressors come in single- or multi-outlet styles. They're designed to protect against virtually all short-duration voltage fluctuations.

2. *Obtain an Uninterruptible Power Supply (UPS) device.*

Most UPS devices come with a rechargeable battery between the electronic equipment and power supply source. The device buffers the voltage and protects against virtually all short-duration voltage fluctuations.

Starting the Engine

1. Make certain the generator is on a flat, level surface.
2. Disconnect all electrical loads from the generator. Never start or stop the generator with electrical devices plugged in or turned on.
3. Turn the fuel valve to the "On" position.
4. Flip the engine switch to the "On" position.
5. Move the choke lever to the "Choke" position.
6. ELECTRIC START: Press the switch to the "START" position. Release as the engine begins to roll over.
7. RECOIL START: Pull the starter cord slowly until resistance is felt and then pull rapidly
8. As engine warms up, move the choke lever to "Run".

NOTE

If the engine starts but does not run, make certain that the generator is on a flat, level surface. The engine is equipped with a low oil sensor that will prevent the engine from running when the oil level falls below a critical threshold.

Connecting Electrical Loads

1. Let the engine stabilize and warm up for a few minutes after starting
2. Plug in and turn on the desired 120/240 Volt AC single phase, 60 Hz electrical loads.

DO NOT connect 3-phase loads to the generator.

DO NOT connect 50 Hz loads to the generator.

DO NOT overload the generator.

Operation

Stopping the Engine

1. Turn off and unplug all electrical loads. Never start or stop the generator with electrical devices plugged in or turned on.
2. Let the generator run at no-load for several minutes to stabilize internal temperatures of the engine and generator.
3. Flip the ignition switch to the “Off” position.
4. Turn the fuel valve to the “Off” position.

Do Not Overload Generator

Capacity

Follow these simple steps to calculate the running and starting watts necessary for your purposes.

1. Select the electrical devices you plan on running at the same time.
2. Total the running watts of these items. This is the amount of power you need to keep your items running.
3. Identify the highest starting wattage of all devices identified in step 1. Add this number to the number calculated in step 2. Surge wattage is the extra burst of power needed to start some electric driven equipment. Following the steps listed under “Power Management” will guarantee that only one device will be starting at a time.

Power Management

Use the following formula to convert voltage and amperage to watts:

$$\text{Volts} \times \text{Amps} = \text{Watts}$$

To prolong the life of your generator and attached devices, follow these steps to add electrical load:

1. Start the generator with no electrical load attached.
2. Allow the engine to run for several minutes to stabilize.
3. Plug in and turn on the first item. It is best to attach the item with the largest load first.
4. Allow the engine to stabilize.
5. Plug in and turn on the next item.
6. Allow the engine to stabilize.
7. Repeat steps 5-6 for each additional item.



NOTE

Never exceed the generator capacity when adding loads.




NOTE

Champion Power Equipment recommends limiting operation at the maximum rated wattage to 30 minutes. For improved durability and to compensate for heat and other factors affecting generator output, we recommend that continuous operation be limited to 90% of the maximum rating. Never exceed the generator capacity when adding loads.

Wattage Reference Chart

Use the chart to determine approximate wattage requirements for your equipment.

 **NOTE**
 Starting watts can exceed three times the running watts. The values in the following table are approximate. Refer to your tool or appliance for actual wattage consumption.

Item	Running Watts	Starting Watts
Essentials		
Light Bulb 100W	100	
Refrigerator/Freezer	1200	2400
Freezer	500	500
Sump Pump	600	1800
Well Pump 1 HP	2000	4000
Water Heater	4000	
Security System	180	
AM/FM Radio	300	
Garage Door Opener 1/2 HP	500	600
Battery Charger 12V DC	110	
Heating/Cooling		
Air Conditioner 12000 BTU	1700	2500
Fan	300	600
Furnace Fan 1/3 HP	1200	2000
Home Appliances		
Microwave 1000W	1000	
Electric Range - One Element	1500	
Electric Skillet	1250	
Coffee Maker	1500	
Clothes Washer	1200	
Entertainment		
CD/DVD Player	100	
VCR	100	
Stereo Receiver	450	
Television 27"	500	
PC with 15" Monitor	800	
Job Site		
Belt Sander 3"	1000	1500
Bench Grinder 6"	700	1500
Circular Saw	1500	1500
Compressor 1 1/2 HP	2500	2500
Edge Trimmer	500	500
Hand Drill 1/2"	1000	1000
Lawn Mower	1200	1800
Paint Sprayer	600	1200
Table Saw	2000	2000

Maintenance

Maintenance

The owner/operator is responsible for all periodic maintenance.

WARNING

Never operate a damaged or defective generator.

WARNING

Tampering with the factory set governor will void your warranty.

WARNING

Improper maintenance will void your warranty.

Complete all scheduled maintenance in a timely manner. Correct any issue before operating the generator.

NOTE

For service or parts assistance, contact our help line at 1-877-338-0999.

Engine Maintenance

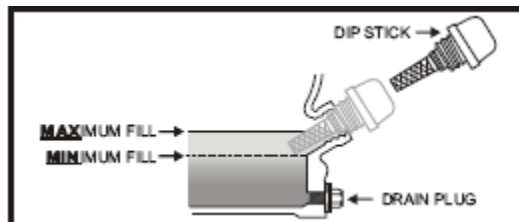
To prevent accidental starting, remove and ground spark plug wire before performing any service.

Oil

Change oil when the engine is warm. Refer to the oil specification to select the proper grade of oil for your operating environment.

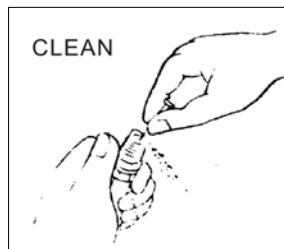
1. Remove the oil drain plug with a 15 mm socket and extension.
2. Allow the oil to drain completely.
3. Replace the drain plug.
4. Remove oil fill cap/dipstick to add oil.
5. Add 1.16 qt (1.1 L) of oil and replace oil fill cap/dipstick.

6. Dispose of used oil at an approved waste management facility.

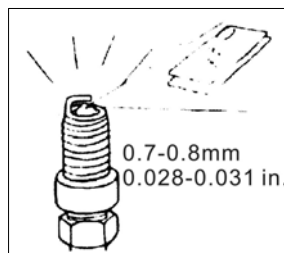


Spark Plugs

1. Remove the spark plug cable from the spark plug.
2. Use the spark plug tool that shipped with your generator to remove the plug.
3. Inspect the electrode on the plug. It must be clean and not worn to produce the spark required for ignition.



4. Make certain the spark plug gap is 0.7 - 0.8mm (0.028 - 0.031 in.).



5. Refer to the spark plug recommendation chart when replacing the plug.
6. Carefully thread the plug into the engine.
7. Use the spark plug tool to firmly install the plug.
8. Attach the spark plug wire to the plug.

Air Filter

1. Remove the snap-on cover holding the air filter to the assembly.
2. Remove the foam element.
3. Wash in liquid detergent and water. Squeeze thoroughly dry in a clean cloth.
4. Saturate in clean engine oil.
5. Squeeze in a clean, absorbent cloth to remove all excess oil.
6. Place the filter in the assembly.
7. Reattach the air filter cover and snap in place.

Cleaning

CAUTION

DO NOT spray engine with water.

Water can contaminate the fuel system.

Use a damp cloth to clean exterior surfaces of the engine.

Use a soft bristle brush to remove dirt and oil.

Use an air compressor (25 PSI) to clear dirt and debris from the engine.

Adjustments

The air-fuel mixture is not adjustable. Tampering with the governor can damage your generator and your electrical devices and will void your warranty. CPE recommends that you contact our service line at 1-877-338-0999 for all other service and/or adjustment needs.

Maintenance Schedule

Follow the service intervals indicated in the schedule below.

Service your generator more frequently when operating in adverse conditions. Contact our help line at 1-877-338-0999 to locate the nearest Champion Power Equipment certified service dealer for your generator or engine maintenance needs.

Every 8 hours or daily
Check oil level
Clean around air intake and muffler
First 5 Hours
Change oil
Every 50 hours or every season
Clean air filter
Change oil if operating under heavy load or in hot environments
Every 100 hours or every season
Change oil
Clean/Adjust spark plug
Check/Adjust valve clearance *
Clean spark arrester
Clean fuel tank and filter *
Every 3 years
Replace fuel line

* To be performed by knowledgeable, experienced owners or Champion Power Equipment certified service dealers

Generator Maintenance

Make certain that the generator is kept clean and stored properly. Only operate the unit on a flat, level surface in a clean, dry operating environment. DO NOT expose the unit to extreme conditions, excessive dust, dirt, moisture or corrosive vapors.

CAUTION

DO NOT use a garden hose to clean the generator.

Water can enter the generator through the cooling slots and damage the generator windings.

Use a damp cloth to clean exterior surfaces of the generator.

Use a soft bristle brush to remove dirt and oil.

Use an air compressor (25 PSI) to clear dirt and debris from the generator.

Inspect all air vents and cooling slots to ensure that they are clean and unobstructed.

Storage

Storage

The generator should be started at least once every 14 days and allowed to run for at least 20 minutes. For longer term storage, please follow these guidelines.

Engine Storage

1. Allow the engine to cool completely before storage.
2. Clean the engine according to the instructions in the Maintenance section.
3. Drain all fuel completely from the fuel line and carburetor to prevent gum from forming.
4. Add a fuel stabilizer into the fuel tank.

5. Change the oil.
6. Remove the spark plug and pour about $\frac{1}{2}$ ounce of oil into the cylinder. Crank the engine slowly to distribute the oil and lubricate the cylinder.
7. Reattach the spark plug.

Generator Storage

1. Allow the generator to cool completely before storage.
2. Turn off the fuel supply at the fuel valve.
3. Clean the generator according to the instructions in the Maintenance section.
4. Store the unit in a clean, dry area.
5. Store in a clean, dry place out of direct sunlight.

Specifications

Engine Specifications

Engine 389 cc OHV CPE

Generator Specifications

Maximum Wattage 6500 Watts
 Continuous Wattage 5800Watts
 Starting Wattage 7800Watts
 AC Load 120/240 V

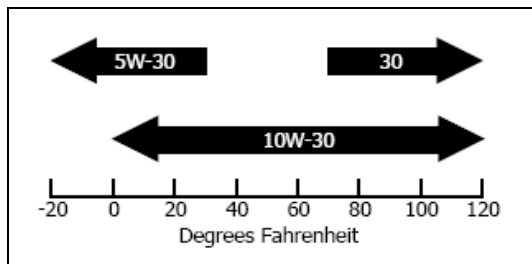
Neutral bonded to frame
 Phase Single
 Frequency 60 Hz
 Fuel Capacity 6.5 gallons (25 L)
 Weight 210.5 lbs. (95.5 kg)
 Height 25.2 inches (64 cm)
 Width 26.6 inches (67.5 cm)
 Length 27.7 inches (70.5 cm)

Fuel

Fuel capacity is 6.5 US gallons (25 L). Use regular unleaded gasoline with a minimum octane rating of 85.

Oil

Oil capacity is 1.16 qt (1.1 L).



Spark Plugs

Your generator comes equipped with a 3/4" (19 mm) long reach plug.

Intermittent use (less than 1 hour/month) or colder temperatures (below 60°F)
 NGK B6ES or equivalent

Moderate use (less than 3 hours/month) or seasonal temperatures (50-80°F)
 NGK B7ES or equivalent

Extreme use (continuous) or hot climates (80-100°F)
 NGK B8ES or equivalent

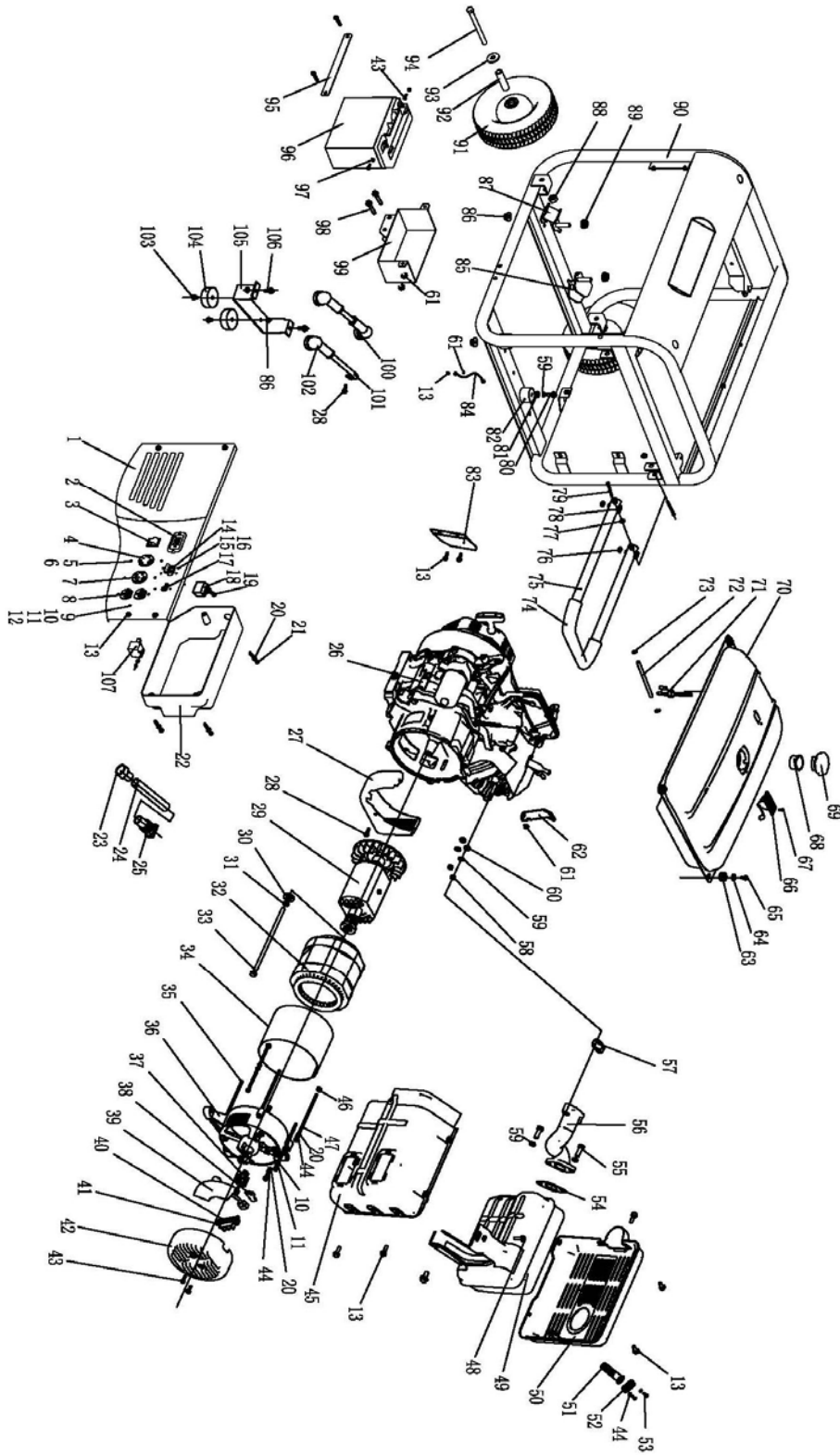
Make certain the spark plug gap is 0.7 - 0.8mm (0.028 - 0.031 in.).

Valve Clearance

Intake 0.13-0.17mm (0.005 – 0.007 in.)
 Exhaust 0.18-0.22mm (0.007 – 0.009 in.)

Specifications

Parts Diagram



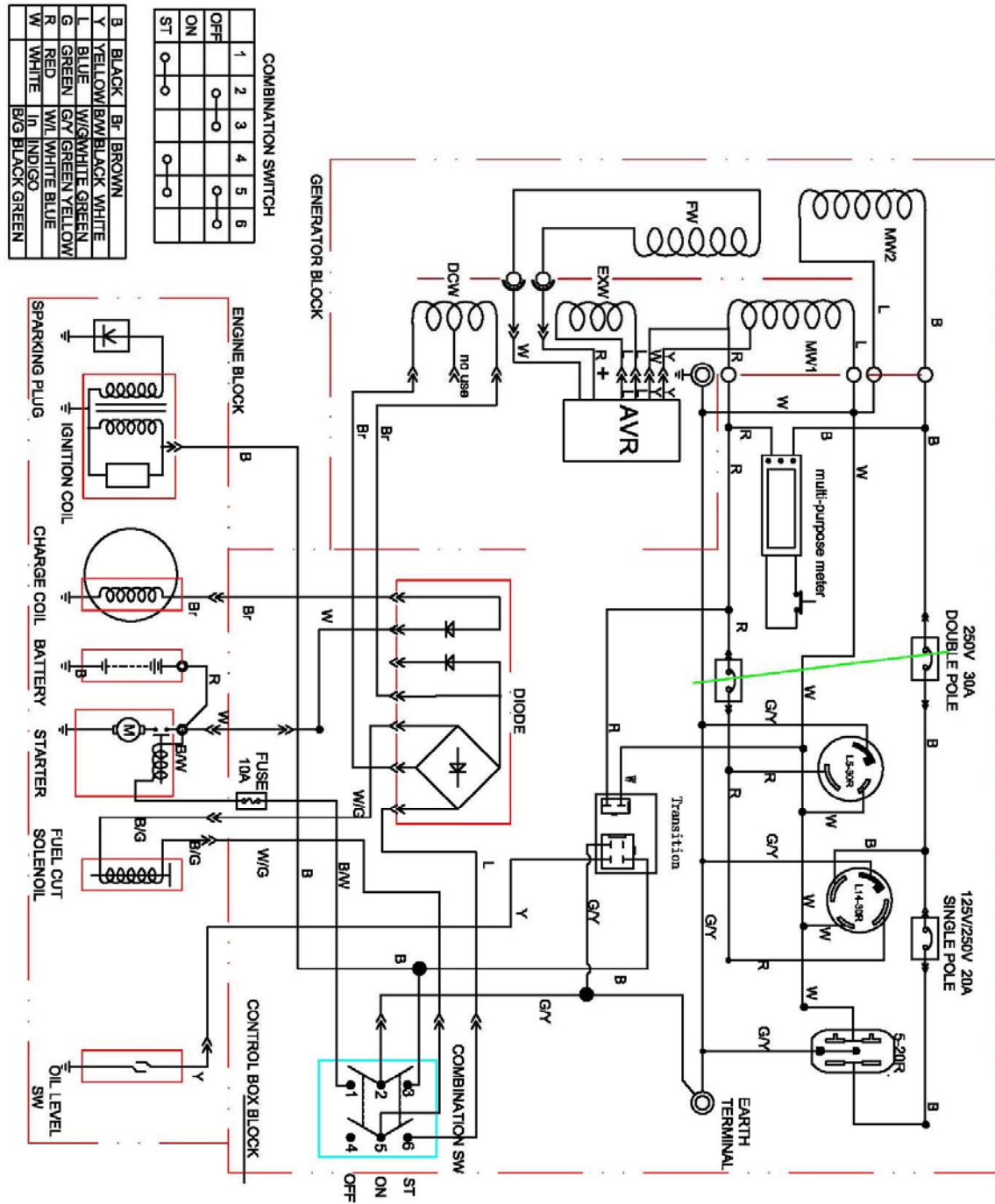
Parts List

No.	Part Number	Description	Qty.
1	5P5	Control panel	1
2	DP03-00000000-2	Intelligauge	1
3	29.001	Switch	1
4	ST02FD-05502020-CSA	Receptacle L5-30R	1
5	GB818 M4×14	Screw M4x14	9
6	GB6177 M4	Nut M4	7
7	ST02FD-05502022-CSA	Receptacle L14-30R	1
8	ST02FD-05502023-CSA	Receptacle 5-20R	1
9	GB5783 M6×22	Bolt M6x22	1
10	GB97.1 6	Washerφ6	6
11	GB93 6	Spring washerφ6	6
12	GB6175 M6	Nut M6	2
13	GB5789 M6×12	Flange Bolt M6×12	15
14	ST02FD-05302005-25CSA	250V 25A DOUBLE POLE	1
15	GB859 3	Washer φ3	6
16	GB818 M3×6	Screw M3×6	6
17	ST02FD-05302003-20CSA	AC.20A CIRCUIT BREAKERS	1
18	BG01-00000000	Rectifier	1
19	GB818 M5×14	Screw M5x14	1
20	GB97.1 5	Washer φ5	9
21	GB818 M5×38	Screw M5×38	3
22	ST05FD-05205011.1	Control panel cover	1
23	ST05FD-05215002	Build up	1
24	ST05FD-05215008	Conduit	1
25	ST05FD-05215004	Build up	1
26	ST188FDE-1000000-G	Engine	1
27	ST05FD-1151600	Cover	1
28	GB5789 M6×8	Flange Bolt M6×8	4
29	ST05FD-1152020-5CSA	Rotor comp	1
30	GB96 10	Washer Φ10	1
31	GB7244 10	Spring washer Φ10	1
32	ST05FD-1152010-5CSA	Stator assembly	1
33	ST05FD-1152005-5	Flange bolt M10×1.25×265	1
34	ST05FD-1152003-5	Stator cover	1
35	ST05FD-1152004-5	Flange bolt M6×179	4
36	ST05FD-1152002	End cover	1
37	ST05FD-1152035	Brush assembly	1
38	ST02FD-02100008	Brush assembly cover board	1
39	ST05F-1152030-CSA	Auto Voltage Regulator	1
40	ST02FD-02100010	Terminal	1
41	GB16674 M5×16	Flange Bolt M5×16	5
42	ST05FD-1152001	Generator end cover	1
43	GB16674 M5×12	Flange Bolt M5×12	4
44	GB93 5	Spring washer φ5	8
45	ST188FD-1732100	Muffle protector	1
46	GB6175 M5	Nut M5	2
47	ST05FD-1152007-5	Flange bolt M5×214	2
48	GB5789 M8×20	Flange Bolt M8×20	2
49	ST188FD-1731000A	Muffler	1
50	ST188FD-1732200-A	Muffler outer protector	1
51	ST188FD-1180121	Spark arrester assembly	1
52	ST188FD-1100010-88	Spark arrester cover	1
53	GB818 M5X14	Flange Bolt M5×14	2
54	ST188FD-1730100	Muffler gasket	1
55	GB16674 M8×25	Flange Bolt M8×25	2
56	ST188FD-1730001-G	Exhaust pipe	1
57	ST188FD-1100001-G	Muffler gasket	1

Specifications

No.	Part Number	Description	Qty.
58	GB6175 M8	NutM8	2
59	GB93 8	Spring washer φ8	6
60	GB848 8	Washer φ8	2
61	GB6177 M6	Nut M6	4
62	ST188FD-1090006	Air cleaner stay	1
63	ST02FD-04100010	Tank rubber	4
64	ST02FD-04100014	Washer φ6	4
65	GB5789 M6×20	Flange Bolt M6×20	4
66	ST05FD-04120000	Fuel meter assembly	1
67	GB819 M5×10	Screw M5×10	2
68	ST02FD-04130000	Fuel filter	1
69	ST02FD-04120000-A	Fuel tank cap	1
70	ST05FD-04310000	Fuel tank	1
71	ST02FD-04160000	Fuel cock	1
72	ST188FD-1160002-CPE	Fuel tube	1
73	ST188FD-1070006A	Clip	2
74	ST182FD-1742203-UC	Handle sheath	1
75	ST182FD-1742201-UC	Handle	1
76	GB896 6	Uncork baffle φ6	2
77	GB896 8	Uncork baffle φ8	2
78	ST182FD-1742202-UC	Handle underlay	2
79	27.001	Pin	2
80	GB5789 M8×35	Flange Bolt M8×35	2
81	GB96 8×24×3	Big washerφ8	2
82	ST182FD-1742003-UC	Straight Bottom rubber	2
83	ST05FD-03160002	Control panel defend board	1
84	ST02FD-1152010-5	Grounding line	1
85	ST05FD-1151400-1	Bottom rubber 2	1
86	GB6177 M8	Nut M8	10
87	ST05FD-1151300-1	Bottom rubber 1	1
88	GB6182 M10	Nut M10	2
89	GB6177 M10	Nut M10	2
90	ST05FD-0149-5	Frame	1
91	ST188FD-1744002-T	Wheel	2
92	ST36QXG-03000002	Bushφ10.5×69.5	2
93	GB96 10	Flat washer φ10	2
94	GB5782 M10×120	Bolt M10×120	2
95	ST05FD-03451001-1	Battery setting plate	1
96	FM12180	Battery12V18AH	1
97	GB6177 M5	Nut M5	2
98	GB5789 M8×45	Flange Bolt M8×45	2
99	28.001	Battery guard(B)	1
100	ST168FD-1750002-C6	Battery red wire	1
101	ST168FD-1750002-C7	Battery black wire	1
102	ST05FD-03011112	Jacket	3
103	GB5789 M8×25	Flange Bolt M8×25	2
104	ST188FD-1743002-C	Vibration mount	2
105	ST05FD-03020301-84	Support leg	1
106	GB5789 M8×16	Flange Bolt M8×16	2
107	OVO2-0000000	Transition	1

Wiring Diagram



COMBINATION SWITCH

	1	2	3	4	5	6
OFF		○			○	
ON	○					○
ST	○					○

B	BLACK	B _r	BROWN
Y	YELLOW	BW	BLACK WHITE
L	BLUE	W/G	WHITE GREEN
G	GREEN	GY	GREEN YELLOW
R	RED	W	WHITE BLUE
W	WHITE	I	INDIGO
		B/G	BLACK GREEN

Troubleshooting

Troubleshooting

Problem	Cause	Solution
Generator will not start	No fuel	Add fuel
	Faulty spark plug	Replace spark plug
	Unit loaded during start up	Remove load from unit
Generator will not start; Generator starts but runs roughly	Low oil level	Fill crankcase to the proper level Place generator on a flat, level surface
	Choke in the wrong position.	Adjust choke.
	Spark plug wire loose	Attach wire to spark plug
Generator shuts down during operation	Out of fuel	Fill fuel tank
	Low oil level	Fill crankcase to the proper level. Place generator on a flat, level surface
Generator cannot supply enough power or overheating	Generator is overloaded	Review load and adjust. See "Power Management"
	Insufficient ventilation	Check for air restriction. Move to a well ventilated area
No AC output	Cable not properly connected	Check all connections
	Connected device is defective	Replace defective device
	Circuit breaker is open	Reset circuit breaker
	Capacitor defective	Replace capacitor (Service Center)
	Faulty brush assembly	Replace brush assembly (Service Center)
	Faulty AVR (auto voltage regulator)	Replace AVR (Service Center)
	Loose wiring	Inspect and tighten wiring connections
Other	Contact the help line.	
Generator gallops	Engine governor defective	Contact the help line
Repeated circuit breaker tripping	Overload	Review load and adjust. See "Power Management"
	Faulty cords or device	Check for damaged, bare or frayed wires. Replace defective device

Warranty

CHAMPION POWER EQUIPMENT 2 YEAR LIMITED WARRANTY

Effective September 1, 2006. Replaces all undated warranties and all warranties dated before September 1, 2006.

Warranty Qualifications

Champion Power Equipment (CPE) will register this warranty upon receipt of your Warranty Registration Card and a copy of your sales receipt from one of CPE's retail locations as proof of purchase.

Please submit your warranty registration and your proof of purchase within ten (10) days of the date of purchase.

Repair/Replacement Warranty

CPE warrants to the original purchaser that the mechanical and electrical components will be free of defects in material and workmanship for a period of one (2) year from the original date of purchase (90 days for commercial & industrial use). Transportation charges on product submitted for repair or replacement under this warranty are the sole responsibility of the purchaser. This warranty only applies to the original purchaser and is not transferable.

Do not return the unit to the place of purchase

Contact CPE's Technical Service and CPE will troubleshoot any issue via phone or e-mail. If the problem is not corrected by this method, CPE will, at its option, authorize evaluation, repair or replacement of the defective part or component at a CPE Service Center. CPE will provide you with a case number for warranty service. Please keep it for future reference. Repairs or replacements without prior authorization, or at an unauthorized repair facility, will not be covered by this warranty.

Warranty Exclusions

This warranty does not cover the following repairs and equipment:

Normal Wear

Generators need periodic parts and service to perform well. This warranty does not cover repair when normal use has exhausted the life of a part or the equipment as a whole.

Installation, Use and Maintenance

This warranty will not apply to parts and/or labor if this generator is deemed to have been misused, neglected, involved in an accident, abused, loaded beyond the generator's limits, modified, installed improperly or connected incorrectly to any electrical component. Normal maintenance such

as spark plugs, air filters, adjustments, fuel system cleaning and obstruction due to buildup is not covered by this warranty.

Other Exclusions

This warranty excludes:

Cosmetic defects such as paint, decals, etc.
Wear items such as filter elements, o-rings, etc.
Accessory parts such as starting batteries, and storage covers.

Failures to due acts of God and other force majeure events beyond the manufacturer's control.

Problems cause by parts that are not original Champion Power Equipment parts.

This warranty does not apply to generators used for prime power in place of a utility.

Limits of Implied Warranty and Consequential Damage

Champion Power Equipment disclaims any obligation to cover any loss of time, use of this product, freight, or any incidental or consequential claim by anyone from using this generator. THIS WARRANTY IS IN LIEU OF ALL OTHER WARRANTIES, EXPRESS OR IMPLIED, INCLUDING WARRANTIES OF MERCHANTABILITY OR FITNESS FOR A PARTICULAR PURPOSE

A unit provided as an exchange will be subject to the warranty of the original unit. The length of the warranty governing the exchanged unit will remain calculated by reference to the purchase date of the original unit.

This warranty gives you certain legal rights which may change from state to state. Your state may also have other rights you may be entitled to that are not listed within this warranty.

Contact Information

Address

Champion Power Equipment, Inc.
Customer Service
10006 Santa Fe Springs Rd.
Santa Fe Springs, CA 90670

Customer Service

Mon – Fri 8:30 AM – 5:00 PM (PST/PDT)
Toll Free: 1-877-338-0999
Fax no.: 1-562-236-9429

Technical Service

Mon – Fri 8:30 AM – 5:00 PM (PST/PDT)
Toll Free: 1-877-338-0999
tech@championpowerequipment.com

Notes

Notes