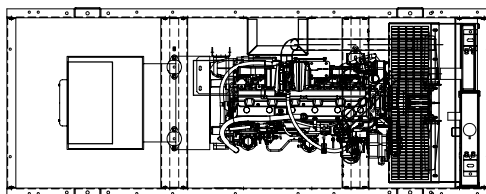


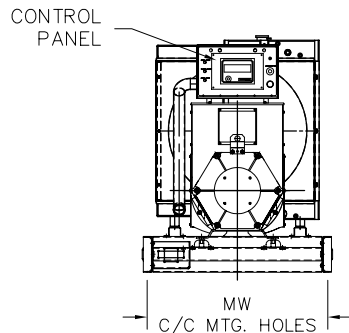
# BALDOR GENERATORS

## GENERAL INSTALLATION FOR IDLC GENERATORS

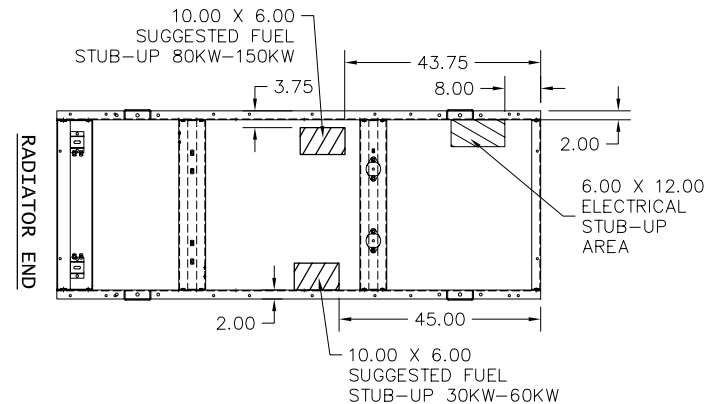
UL2200 MODEL #	MODEL #	OVERALL LENGTH L	OVERALL WIDTH W	OVERALL HEIGHT H	CORE HEIGHT CH1	CORE HEIGHT CH2	CORE WIDTH CW	MOUNTING HOLE 1 M1	MOUNTING HOLES 2 M2	MOUNTING WIDTH MW	WET WEIGHT (#) ±5%	
IDLC30-2JU	IDLC30-2J	72	42	40	17	22	23	14.00	58.00	40.00	1618	
IDLC40-2JU	IDLC40-2J	84		44	14	28	24				70.00	1774
IDLC50-2JU	IDLC50-2J			38	18	21	25					1869
IDLC60-2JU	IDLC60-2J	96		50	15	27	28	18.00	78.00		1939	
IDLC80-3JU	IDLC80-3J			53	15	32	36				2529	
IDLC100-3JU	IDLC100-3J			108							2592	
IDLC125-3JU	IDLC125-3J							3076				
IDLC150-3JU	IDLC150-3J							3306				



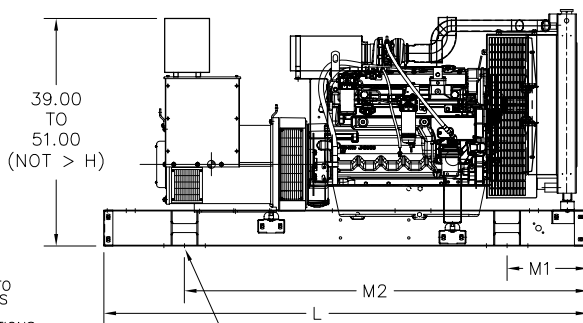
PLAN VIEW



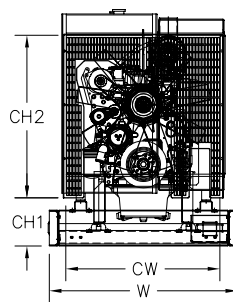
REAR VIEW



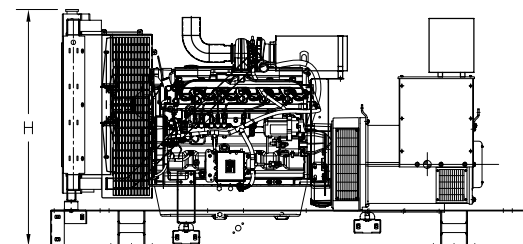
PLAN VIEW OF TANK ONLY



RIGHT SIDE VIEW



FRONT VIEW



LEFT SIDE VIEW

NOTES:  
FOR PRODUCT DATA REFER TO  
BALDOR MODEL SPEC SHEETS  
FOR INSTALLATION RECOMMENDATIONS  
REFER TO GEN SET MANUAL MN2407  
ALL DIMENSIONS IN INCHES  
ALL WEIGHTS IN POUNDS  
DRAWING TO SCALE

TOLERANCES UNLESS OTHERWISE SPECIFIED  
DECIMALS .XX ±.25 FRACTIONS ±1/4  
WEIGHTS SHOWN ARE TYPICAL AND INCLUDE  
ALTERNATORS SELECTED @125°C RISE

CUSTOMER IS RESPONSIBLE FOR DETERMINING THAT MOTOR PERFORMANCE IS SUITABLE IN THE APPLICATION.

REV. DESC: UPDATE TABLE		
REV. LTR: C	VERSION: 03	TDR: 000000451565
FILE: \PGA\00010\468	REVISED: 14:27:09 12/13/2007	BY: PGCONB0
MTL: -	TAB: OPEN_30_150	

**BALDOR • DODGE • RELIANCE**

IDLC 30-500-07E