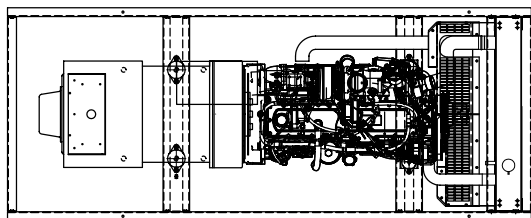


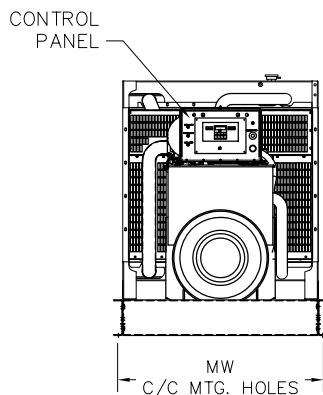
BALDOR GENERATORS

GENERAL INSTALLATION FOR IDLC GENERATORS

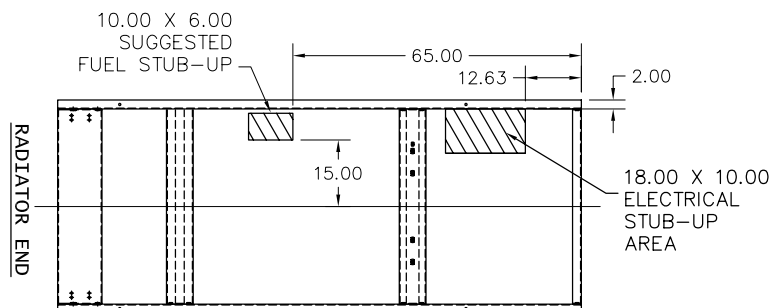
UL2200 MODEL #	MODEL #	OVERALL LENGTH L	OVERALL WIDTH W	OVERALL HEIGHT H	CORE HEIGHT 1 CH1	CORE HEIGHT 2 CH2	CORE WIDTH CW	MOUNTING HOLE 1 M1	MOUNTING HOLE 2 M2	MOUNTING WIDTH MW	WET WEIGHT (#) ±5%
IDLC180-3JU	IDLC180-3J	118	48	53	14	34	38	24.00	94.00	46.00	3708
IDLC200-3JU	IDLC200-3J			59	16	36	42	16.00	92.00		4368
IDLC225-3JU	IDLC225-3J										5119
IDLC250-3JU	IDLC250-3J										5308
IDLC275-3JU	IDLC275-3J										5510



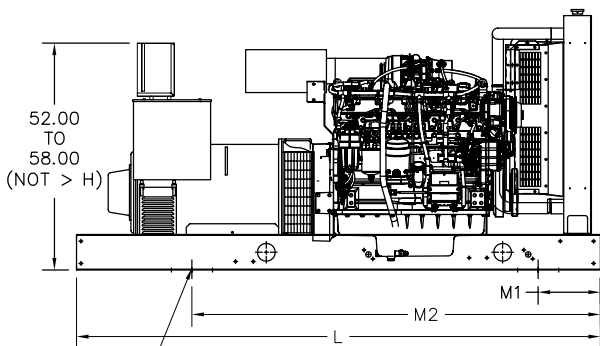
PLAN VIEW



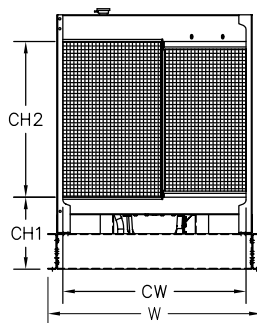
REAR VIEW



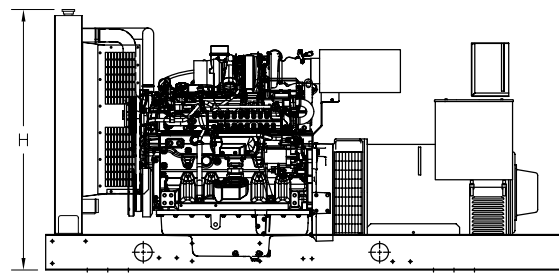
PLAN VIEW OF TANK ONLY



RIGHT SIDE VIEW



FRONT VIEW



LEFT SIDE VIEW

NOTES:

FOR PRODUCT DATA REFER TO BALDOR MODEL SPEC SHEETS

FOR INSTALLATION RECOMMENDATIONS REFER TO GEN SET MANUAL MN2407

ALL DIMENSIONS IN INCHES

ALL WEIGHTS IN POUNDS

DRAWING TO SCALE

TOLERANCES UNLESS OTHERWISE SPECIFIED
DECIMALS .XX ±.25 FRACTIONS ±1/4

WEIGHTS SHOWN ARE TYPICAL AND INCLUDE ALTERNATORS SELECTED @125°C RISE

CUSTOMER IS RESPONSIBLE FOR DETERMINING THAT MOTOR PERFORMANCE IS SUITABLE IN THE APPLICATION.

REV. DESC: UPDATE TABLE		
REV. LTR: C	VERSION: 03	TDR: 000000451565
FILE: \PGA\00010\468	REVISED: 14: 27: 03 12/13/2007	BY: PGCONB0
MTL: -	TAB: OPEN_180_275	

BALDOR • DODGE • RELIANCE

IDLC 30-500-07E