



Premier POW'R Products
Generator

Series K, R, and OHV

Installation & Operating Manual

WARNING:
CALIFORNIA PROPOSITION 65 WARNING:
Engine exhaust from this product contains chemicals known to the state of California to cause cancer, birth defects and other reproductive harm.

WARNING:
CALIFORNIA PROPOSITION 65 WARNING:
Diesel engine exhaust and some constituents are known to the state of California to cause cancer, birth defects and other reproductive harm.

WARNING:
CALIFORNIA PROPOSITION 65 WARNING:
Battery posts, terminals and related accessories are known to the state of California to cause cancer, birth defects and other reproductive harm.

Table of Contents

Section 1	
Product Safety Information	1-1
Safety Notice	1-1
Responsibility	1-1
IMPORTANT SAFETY INSTRUCTIONS	1-2
Caution Statements	1-6
Section 2	
General Information	2-1
Limited Warranty	2-1
Owner's Responsibilities	2-2
Limitations	2-2
Section 3	
Receiving & Installation	3-1
Receiving & Inspection	3-1
Lifting the Generator	3-1
Storage	3-1
Physical Location	3-2
Installation	3-2
Electrical Connections	3-2
Frame Ground Connection	3-3
Engine Oil	3-4
Battery Connections	3-4
Use of Electric Motor Loads	3-5
Optional Wheel Kit	3-6
Recommended Engine Oil and Battery Type	3-6
Section 4	
Operation	4-1
Operator Control Panel	4-1
Pre-Start Checks	4-2
Start-Up Procedure	4-2
Electric Start	4-2
Recoil Start	4-2
Stopping Procedure	4-2
Section 5	
Troubleshooting and Maintenance	5-1
Maintenance	5-1
Problems and Solutions	5-2
Appendix A	
Premier K Series	A-1
Operator Panel Configuration	A-1
Replacement Parts	A-2
Wiring Diagrams	A-3
Appendix B	
Premier R Series	B-1
Operator Panel Configuration	B-1
Replacement Parts	B-2
Wiring Diagrams	B-3

Continued on next page

Appendix C	
Premier OHV Series	C-1
Operator Panel Configuration	C-1
Replacement Parts	C-2
Wiring Diagrams	C-3
Appendix D	
Premier OHV100E Series	D-1
Operator Panel Configuration	D-1
Replacement Parts	D-2
Wiring Diagrams	D-3
Appendix E	
Premier OHV110E Series	E-1
Operator Panel Configuration	E-1
Replacement Parts	E-2
Wiring Diagrams	E-3

Section 1

Product Safety Information

Safety Notice

Be sure that you are completely familiar with the safe operation of this equipment. This equipment may be connected to other machines that have rotating parts or parts that are controlled by this equipment. Improper use can cause serious or fatal injury. Always disconnect all electrical loads before starting the generator.

Installation and repair procedures require specialized skills with electrical generating equipment and liquid cooled engine systems. Any person that installs or repairs this generator must have these specialized skills to ensure that this generating unit is safe to operate. Contact Baldor service department for repairs or any questions you may have about the safe installation and operation of this system.

The precaution statements are general guidelines for the safe use and operation of this generator. It is not practical to list all unsafe conditions. Therefore, if you use a procedure that is not recommended in this manual you must determine if it is safe for the operator and all personnel in the proximity to the generator and connected loads. If there is any question of the safety of a procedure please contact Baldor before starting the generator.

This equipment contains high voltages. Electrical shock can cause serious or fatal injury. Only qualified personnel should attempt the start-up procedure or troubleshoot this equipment.

This equipment may be connected to other machines that have rotating parts or parts that are driven by this equipment. Improper use can cause serious or fatal injury. Only qualified personnel should attempt the start-up procedure or troubleshoot this equipment.

- System documentation must be available to anyone that operates this equipment at all times.
- Keep non-qualified personnel at a safe distance from this equipment.
- Only qualified personnel familiar with the safe installation, operation and maintenance of this device should attempt start-up or operating procedures.
- Always stop engine before making or removing any connections.
- Always stop engine and allow it to cool before refueling.

Responsibility

When your generator is delivered, it becomes the responsibility of the owner/operator of the generator set to prevent unsafe conditions and operation of the equipment. Some responsibilities include (but are not limited to) the following:

1. It is the responsibility of the owner/operator of this generator to ensure that this equipment is correctly and safely installed.
2. It is the responsibility of the owner/operator of this generator to ensure that this equipment, when installed fully complies with all federal, state and local codes.
3. It is the responsibility of the owner/operator of this generator to ensure that any person operating this equipment has been properly trained.
4. It is the responsibility of the owner/operator of this generator to ensure that any person operating this equipment has access to all manuals and information required for the safe use and operation of this equipment.
5. It is the responsibility of the owner/operator of this generator to ensure that it is properly maintained and safety inspected at regular scheduled intervals.
6. It is the responsibility of the owner/operator of this generator to ensure that any person who has not been trained on the safe use of this equipment does not have access to this equipment.

Read This Manual Thoroughly

If you do not understand any concept, any procedure, any safety warning statement, any safety caution statement or any portion of this manual, contact Baldor or your nearest authorized Baldor representative. We are happy to make sure you understand the information in this manual so that you can safely enjoy the full use of this generator.

Baldor Generators
3815 Oregon Street
Oshkosh, WI 54902
(920) 236-4200 (voice); or (920) 236-4219 (fax); or www.baldor.com

Precaution Statements Used In This Manual

There are three classifications of precautionary statements used in this manual. The most critical is a **WARNING** statement, then the **Caution** statement and the least critical is the Note statement. The usage of each statement is as follows:

- WARNING:** Indicates a potentially hazardous situation which, if not avoided, could result in injury or death.
- Caution:** Indicates a potentially hazardous situation which, if not avoided, could result in damage to property.
- Note:** Additional information that is not critical to the installation or operation.

IMPORTANT SAFETY INSTRUCTIONS

SAVE THESE INSTRUCTIONS – This manual contains important instructions for the generator that should be followed during installation, operation and maintenance of the generator.

For ease of reading, the Warning statements are divided into four categories: Operation, Burn, Installation, and Maintenance.

Operation

- WARNING:** Gasoline and diesel fuel are flammable and can cause fire, explosions, injury or death. For storage or refueling handle fuel with care and only in clean, approved, properly marked safety fuel containers.
- WARNING:** Do not overfill the fuel tank. Only fill the tank to within 1/2" of the top of the tank to allow space for fuel expansion. Overfilling of tank may cause fuel to spill out onto engine and cause fire or explosion.
- WARNING:** Clean up fuel spills by wiping completely dry before starting engine. Gasoline and diesel fuel are flammable and can cause fire, explosions, injury or death.
- WARNING:** Make sure the fuel cap is completely and securely closed after refueling to prevent spillage. Gasoline and diesel fuel are flammable and can cause fire, explosions, injury or death.
- WARNING:** Never operate this generator in a manner other than as described in this manual. Operation in any manner not described in this manual should be considered unsafe and should not be attempted. Never start the engine unless you have first verified that the installation and operation of the generator are as described in this manual.
- WARNING:** Be sure that you are completely familiar with the safe operation of this equipment. This equipment may be connected to other machines that have rotating parts or parts that are controlled by this equipment. Improper use can cause serious or fatal injury.
- WARNING:** Exhaust fumes/gases are extremely dangerous and can cause severe illness or death. Never breath exhaust fumes produced by a running engine. Only run the engine outdoors where ventilation is plentiful. Exhaust gases contain carbon monoxide, a colorless, odorless and extremely dangerous gas that can cause unconsciousness or death. Symptoms of carbon monoxide poisoning include: dizziness, nausea, headaches, sleepiness, vomiting or incoherence. If you or anyone else experiences these symptoms, get out into fresh air immediately. Stop the engine and do not restart the engine until it has been inspected and if necessary repaired or reinstalled in a well ventilated area.
- WARNING:** Hot exhaust gasses must never be directed toward anything that may catch fire or explode.
- WARNING:** This generator must not be used on or near any forest covered, brush covered, or grass covered land unless the engine's exhaust system is equipped with a spark arrestor. The spark arrestor must be maintained in effective working order by the operator.
- WARNING:** Some parts of this generator rotate during operation. Rotating parts can present extreme danger if clothing or body extremities are caught by the rotating part and can cause serious or fatal injury. Never touch a part of the generator until the engine has been stopped and all rotating parts are completely stopped. Also, disconnect the spark plug wires and battery connection to prevent accidental engine rotation during servicing.
- WARNING:** Never move a generator set that is running. Loads should be connected and position secure before starting the engine. Hazards are caused by moving a generator set that is running.
- WARNING:** Never connect or disconnect loads during operation. Always connect load circuits before starting the engine and use external branch disconnects etc. to switch loads On/Off.

Continued on next page.

Operation Warning Statements Continued

- WARNING:** Be sure that you understand how to stop the engine quickly in case of an emergency situation. Become familiar with the controls and safety systems provided with this generator set.
- WARNING:** Always wear safety glasses with side shields and hearing protection when working near the generator.
- WARNING:** Improper operation may cause violent motion of connected equipment. Be certain that unexpected movement will not cause injury to personnel or damage to equipment.
- WARNING:** Never operate the generator set indoors or in a poorly ventilated area such as a tunnel or cave. Exhaust fumes are extremely dangerous to all personnel that are in or in contact with that area.
- WARNING:** Never permit anyone to operate the generator without proper instructions. Be sure to keep a copy of this manual with the generator so that all users can be properly informed of its safe operation.
- WARNING:** Never allow children or pets to be in the area where the generator is running. The generator and the equipment being powered by the generator may cause injury or death.
- WARNING:** Never operate the generator unless all guards, covers, shields and other safety items are properly installed.
- WARNING:** Do not put hands, feet, tools clothing or other objects near rotating parts such as drive shaft, pulley, belt etc. Rotating parts cause extremely dangerous situations because they can catch loose clothing or extremities and cause serious or fatal injury.
- WARNING:** When operating this generator remain alert at all times. Never operate machinery when physically or mentally fatigued, or while under the influence of alcohol, drugs or medication.
- WARNING:** Never operate the engine when the air cleaner is removed. An engine backfire can cause serious burns.
- WARNING:** Never “jump start” a generator to start the engine. If the battery charge is insufficient to start the engine, charge or replace the battery and try to restart. Jump starting a battery can cause the battery to explode and cause severe injury or death to anyone in the area.
- WARNING:** High voltage is present whenever engine is running. Electrical shock can cause serious or fatal injury. Never operate electrical equipment while standing in water, on wet ground or with wet hands, feet or shoes or while barefoot.
- WARNING:** High voltage is present whenever the engine is running. Electrical shock can cause serious or fatal injury. Always stop engine before connecting or disconnecting power cords or external devices.
- WARNING:** Do not smoke near generator during operation or while refueling. Gasoline and diesel fuel are flammable and can cause fire, explosions, injury or death.
- WARNING:** Stop engine and allow engine to cool before refueling. Gasoline and diesel fuel are flammable and can cause fire, explosions, injury or death.
- WARNING:** Never store the generator with fuel in the tank. Never store the generator indoors or in an enclosed area or in a poorly ventilated enclosure where fumes may reach an open flame, electrical spark or pilot light as on a furnace, water heater, clothes dryer, etc. Gasoline and diesel fuel are flammable and can cause fire, explosions, injury or death.
- WARNING:** Allow generator to cool before transporting it or storing it. Always drain fuel from tank after generator has cooled.
- WARNING:** When transporting the generator (especially over rough roads) always drain the fuel tank to prevent leakage or spillage of fuel. Gasoline and diesel fuel are flammable and can cause fire, explosions, injury or death.
- WARNING:** Operate the generator only on a level surface. If the generator is tilted during operation, fuel spillage may result. Gasoline and diesel fuel are flammable and can cause fire, explosions, injury or death.
- WARNING:** Keep generator at least three feet away from buildings and other structures.
- WARNING:** Keep generator away from flammable or hazardous materials (trash, rags, lubricants, explosives, paints etc.) and grass or leaf build up.
- WARNING:** Keep a fire extinguisher near the generator while generator is in use. An extinguisher rated “ABC” by the National Fire Protection Association is appropriate.

Continued on next page.

Warning Statements Continued

Burn

WARNING: Parts of this generator are extremely hot during and after operation. To prevent severe burns, do not touch any part of the generator until you have first determined if the part is hot. Wear protective clothing and after use allow sufficient time for parts to cool before touching any part of the generator.

WARNING: Do not touch the hot exhaust parts or the high voltage spark plug or coil terminals of the engine. Although spark plug voltages are not normally lethal, a sudden involuntary jerk of the hand or body part caused by contact with high voltage or a hot surface can result in injury to yourself or others.

Installation

WARNING: Installation and repair procedures requires specialized skills with electrical generating equipment and small engine systems. Any person that installs or performs repairs must have these specialized skills to ensure that the generator set is safe to operate. Contact Baldor for installation or repairs.

WARNING: Be sure all wiring complies with the National Electrical Code (NEC) and all regional and local codes or CE Compliance. Improper wiring may cause a hazardous condition and exposure to electrical hazards can cause serious injury or death.

WARNING: Be sure the system is properly grounded before applying power. Do not apply AC power before you ensure that grounds are connected. Electrical shock can cause serious or fatal injury. NEC requires that the frame and exposed conductive surfaces (metal parts) be connected to an approved earth ground. Local codes may also require proper grounding of generator systems.

WARNING: Place protective covers over all rotating parts such as drive shaft, pulley, belt etc. Rotating parts cause extremely dangerous situations because they can catch loose clothing or extremities and cause serious or fatal injury.

WARNING: Unauthorized modification of a generator set may make the unit unsafe for operation or may impair the operation of the unit. Never start a generator set that has been modified or tampered with. Be sure that all covers and guards are properly installed and that the unit is safe before starting the engine. If you are unsure, contact Baldor before starting the engine.

WARNING: When moving the generator, use reasonable caution. Be careful where you place fingers and toes to prevent injury "Pinch Points". Never try to lift a generator without a hoist or lift means because they are heavy and bodily injury may result.

WARNING: When transporting a generator (especially if it has wheel option installed) secure the unit to prevent movement during transport.

WARNING: Never connect this generator to any buildings electrical system unless a licensed electrician has installed an approved transfer switch. The National Electrical Code (NEC) requires that connection of a generator to any electrical circuit normally powered by means of an electric utility must be connected by means of approved transfer switch equipment so as to isolate the electrical circuit from the utility distribution system when the generator is operating. Failure to isolate the electrical circuits by such means may result in injury or death to utility power workers due to backfeed of electrical energy onto the utility lines.

WARNING: Circuit overload protection must be provided in accordance with the National Electrical Code and local regulations.

WARNING: Check Ground Fault Circuit Interrupt (GFCI) receptacles monthly by using the "Test" and "Reset" buttons.

WARNING: Only a professional experienced technician should install a fuel supply system. Gasoline and diesel fuel are flammable and can cause fire, explosions, injury or death. Fuel supply lines should be kept away from sharp objects to prevent rupture. Comply with all NFPA regulations and local codes for shut-off valves, regulators, fuel line type etc.

WARNING: Have electrical circuits and wiring installed and checked by licensed electrician or qualified technician. Electrical shock can cause serious or fatal injury.

WARNING: Incorrect installation of this generator set could result in property damage, injury or death. Connection of the generator to its fuel source must be done by a qualified professional technician or contractor.

Continued on next page.

Warning Statements Continued

Maintenance

- WARNING:** Before cleaning, inspecting, repairing, refueling or performing any maintenance to the generator set, always be sure the engine has stopped and that all rotating parts have also stopped. After stopping, certain components are still extremely hot so be careful not to get burned. Before servicing the generator set, be sure to disconnect the spark plug wires and the battery terminals to prevent accidental engine rotation or starting.
- WARNING:** Engine coolant is under pressure and is near the boiling point of water when engine is hot. Do not open the coolant system until the engine has completely cooled. Hot coolant can cause severe burns and other injuries. When engine is cool, coolant level can be checked.
- WARNING:** Before servicing the generator set, be sure to disconnect the spark plug wires and the battery terminals to prevent accidental engine rotation or starting.
- WARNING:** Inspect all wiring frequently and replace any damaged, broken or frayed wiring or wires with damaged insulation immediately. Electrical shock can cause serious or fatal injury.
- WARNING:** Disconnect all electrical wires and load devices from generator power outlets before servicing the generator. Electrical shock can cause serious or fatal injury. Always treat electrical circuits as if they are energized.
- WARNING:** Check all fuel tanks, supply piping, and their connections monthly for fuel leaks. Gasoline and diesel fuel are flammable and can cause fire, explosions, injury or death. If a leak is found, replace only with approved pipe or components.
- WARNING:** A battery presents a risk of fire and explosion because they generate hydrogen gas. Hydrogen gas is extremely explosive. Never jump start a battery, smoke in the area around the battery or cause any spark to occur in the area around the battery.
- WARNING:** Do not mutilate the battery or dispose of a battery in a fire. The battery is capable of exploding. If the battery explodes, electrolyte solution will be released in all directions. Battery electrolyte solution is caustic and can cause severe burns and blindness. If electrolyte contacts skin or eyes, immediately flush the area with water and seek medical attention quickly.
- WARNING:** A battery presents a risk of electrical shock hazard and high short circuit current. Electrical shock can cause serious or fatal injury. Never wear jewelry, watch or any metal objects when in the area around the battery.
- WARNING:** The battery electrolyte is a dilute sulfuric acid that is harmful to the skin and eyes. It is electrically conductive and corrosive. If electrolyte contacts the skin, flush the area immediately with water and wash it off using soap and water. If electrolyte contacts the eyes, immediately flush the eye thoroughly with water and seek medical attention quickly.
- WARNING:** The capacitor used in this generator can store and discharge a high voltage charge. Before working with or in the area of the capacitor, discharge the capacitor by shorting its leads together with a screwdriver with an insulated handle or insulated jumper wire.
- WARNING:** Be extremely careful when flashing the generator. When the alternator cover is removed rotating parts and high voltage are present. Electrical shock can cause serious or fatal injury. Rotating parts can present extreme danger if clothing or body extremities are caught by the rotating part and can cause serious or fatal injury.
- WARNING:** Never store an engine with fuel in its tank indoors or in an enclosed, poorly ventilated area where gasoline fumes could reach an ignition source and cause an explosion.

Continued on next page.

Caution Statements

- Caution:** The brass connecting tab on some 120VAC duplex receptacles have been removed. Each receptacle is powered by a separate generator winding. When replacing a receptacle, inspect the brass tab that normally links both receptacles. If it is removed, be sure to remove the brass tab from the replacement receptacle before it is installed. Failure to remove the tab will cause a direct short to the generator windings and cause possible generator damage.
- Caution:** Avoid installing the generator set beside heat generating equipment, or directly below water or steam pipes or in the vicinity of corrosive substances or vapors, metal particles and dust. Heat can cause engine problems to develop and unwanted substances can cause rust or generator failure over time.
- Caution:** Do not apply high voltage to windings in a moisture-saturated condition. Moisture can cause insulation breakdown, making it necessary to return the generator to the factory for repair, and consequent expense and loss of time.
- Caution:** Use only original equipment or authorized replacement parts. Using the correct parts will assure continued safe operation as designed.
- Caution:** Do not support the generator from the top of the wrap frame.
- Caution:** Do not tamper with or change the engine speed. Engine speed is factory set to produce the correct voltage and output frequency.
- Caution:** Never operate the engine without a muffler. The engine is designed to have the correct exhaust components installed and operating without these components can present a fire hazard, cause excessive exhaust gases and cause damage to engine. Inspect muffler periodically and replace if necessary.

Section 2

General Information

This manual contains information you need to safely and efficiently operate your generator set. During the preparation of this manual every effort was made to ensure the accuracy of its contents. This manual describes only very basic engine information. A separate owner's manual for the engine is supplied with this unit for your use. Please refer to the engine manual for information relative to engine operation, maintenance, recommendations and additional safety warnings.

Baldor Generators (formerly Pow'R Gard Generator Corporation) has been in business since 1965. The generator sets we manufacture have earned the reputation of being high quality and dependable. We take pride in this fact and continue to keep our quality standards high on our list of priorities. We are also constantly researching new technological ideas to determine if they could be used to make our generator sets even better.

Thank you for purchasing your Baldor Generator Set.

Copyright Baldor © 2003. All rights reserved.

This manual is copyrighted and all rights are reserved. This document may not, in whole or in part, be copied or reproduced in any form without the prior written consent of Baldor Electric Company, Inc.

Baldor makes no representations or warranties with respect to the contents hereof and specifically disclaims any implied warranties of fitness for any particular purpose. The information in this document is subject to change without notice. Baldor assumes no responsibility for any errors that may appear in this document.

Limited Warranty

Unless otherwise provided, Baldor generators are warranted against defects in Baldor workmanship and materials for a period of time as set forth in the Warranty Period chart below. If a Baldor product is defective due to Baldor workmanship or materials and the defect occurs during the warranty period, then Baldor will either repair the product or replace it with a new one, whichever Baldor believes to be appropriate under the circumstances. Service for warranty issues regarding any Baldor Generators Products Warranty is available by contacting Baldor Generators' Customer Service Department in Oshkosh, Wisconsin. A list of Baldor's generator repair facilities may be obtained by contacting Baldor Generators at: Customer Service, Baldor Generators, 3815 Oregon Street, Oshkosh, Wisconsin 54902, 920-236-4200 (telephone), 920-236-4219 (facsimile). All Baldor products requiring warranty service shall be transported or shipped freight pre-paid, at the risk of the party requiring warranty service, to a Baldor Generator repair facility, or to Baldor Generators' Customer Service Department in Oshkosh, Wisconsin. Written notification of the alleged defect in addition to a description of the manner in which the Baldor generator is used, and the name, address and telephone number of the party requiring warranty service must be included. Baldor is not responsible for removal and shipment of the Baldor product to the service center or for the reinstallation of the Baldor product upon its return to the party requiring warranty service. Customers who are unable to take or ship the Baldor product to a Baldor Generator repair facility, or who desire a repair to be made by other than a Baldor Generator repair facility, should contact Baldor Generators' Customer Service Department at 920-236-4200. Baldor, in advance of such service, must approve a repair by anyone other than a Baldor Generator repair facility in writing. Problems with Baldor products can be due to improper maintenance, faulty installation, non-Baldor additions or modifications, or other problems not due to defects in Baldor workmanship or materials. If a Baldor Generator repair facility determines that the problem with a Baldor product is not due to defects in Baldor workmanship or materials, then the party requesting warranty service will be responsible for the cost of any necessary repairs. Parties requiring warranty service not satisfied with a determination that a problem is outside of warranty coverage should contact Baldor Generators' Customer Service Department at 920-236-4200 for further consideration. EXCEPT FOR THE EXPRESSED WARRANTY SET FORTH ABOVE, BALDOR GENERATORS DISCLAIMS ALL OTHER EXPRESSED AND IMPLIED WARRANTIES INCLUDING THE IMPLIED WARRANTIES OF FITNESS FOR A PARTICULAR PURPOSE AND MERCHANTABILITY. NO OTHER WARRANTY, EXPRESSED OR IMPLIED, WHETHER OR NOT SIMILAR IN NATURE TO ANY OTHER WARRANTY PROVIDED HEREIN, SHALL EXIST WITH RESPECT TO THE GOODS SOLD UNDER THE PROVISIONS OF THESE TERMS AND CONDITIONS. ALL OTHER SUCH WARRANTIES ARE HEREBY EXPRESSLY WAIVED BY THE BUYER. UNDER NO CIRCUMSTANCES SHALL BALDOR GENERATORS BE LIABLE OR RESPONSIBLE IN ANY MANNER WHATSOEVER FOR ANY INCIDENTAL, CONSEQUENTIAL OR PUNITIVE DAMAGES, OR ANTICIPATED PROFITS RESULTING FROM THE DEFECT, REMOVAL, REINSTALLATION, SHIPMENT OR OTHERWISE. This is the sole warranty of Baldor Generators and no other affirmations or promises made by Baldor Generators shall be deemed to create an expressed or implied warranty. Baldor Generators has not authorized anyone to make any representations or warranties other than the warranty contained herein.

Limited Warranty Continued**Warranty Period**

Generator Series	Labor*	Parts
Portable Products (Premier, Powerchief, DG Series, K Series)	1 Year	3 Years
Towable Products (TS)	1 Year or 3,000 Hours Whichever comes first	3 Years or 3,000 Hours Whichever comes first
3600 RPM Standby Systems (Some AE Models)	1 Year or 1,000 Hours Whichever comes first	3 Years or 1,000 Hours Whichever comes first
1800 RPM Standby Systems (Some AE Models, DLC, GLC)	1 Year or 3,000 Hours Whichever comes first	3 Years or 3,000 Hours Whichever comes first
Industrial Standby Systems	1 Year or 1,000 Hours Whichever comes first	2 Years or 1,000 Hours Whichever comes first
Industrial Prime Power Systems	1 Year or 1,000 Hours Whichever comes first	1 Year or 1,000 Hours Whichever comes first
International	1 Year or 1,000 Hours Whichever comes first	1 Year or 1,000 Hours Whichever comes first

Notes for Warranty Period:

1. Labor coverage for warrantable repairs is provided for the applicable period not to exceed published rates as contained in the Baldor Generators Warranty Policy. Mileage is allowed only for permanent installations not to exceed published rates as contained in the Baldor Generators Warranty Policy.
2. Proof of purchase date is required for all Portable and Towable products to qualify for any warranty consideration. Serial number and model number will be required for all warranty work.
3. For all other products, a Start-up Inspection Form / Warranty Registration must be completed in its entirety and submitted to Baldor Generators within 30 days of start-up to qualify for any warranty consideration.

Owner's Responsibilities

The owner is obligated to operate and maintain the generator in accordance with the recommendations published by Baldor Generators in the Operator's Manual for the generator. The owner is responsible for the costs associated with maintenance and any adjustments that may be required.

The owner is responsible for payment of any of the following expenses that might be incurred as a result of a failure under the terms of this warranty:

1. Rental equipment used to replace the equipment being repaired.
2. Telephone or other communication expenses.
3. Living and travel expenses of persons performing service, except as specifically included within the terms of specific warranty.
4. The premium costs for overtime labor requested by the owner.
5. All parts transportation costs.

All warranty claims must be submitted to a Baldor Generator repair facility prior to the expiration of the warranty period. Baldor Generators shall have no responsibility or liability for any defect, latent or otherwise, discovered after the expiration of the warranty period provided herein. Extended warranties are available for certain Baldor products. These warranties are described in Baldor's catalog and other sales literature. Extended warranties are subject to the terms and conditions of this Limited Warranty as modified by the additional terms of the extended warranty.

Limitations

Baldor Generators is not responsible for the repair of generators required because of normal wear, accident, misuse, abuse, improper installation, lack of maintenance, unauthorized modifications or improper storage.

Normal Wear: This warranty will not cover repair where normal use has exhausted the life of a part or generator. It should be remembered that the service life of any generator is dependent on the care it receives and the conditions under which it has to operate. Some applications are very often used in dusty or dirty conditions, which can cause what appears to be excessive wear. Such wear, when caused by dirt, dust, grit or other abrasive material, which has entered the generator because of improper maintenance, is not covered by Warranty.

For all product lines, the engine manufacturer warrants engine systems.
Contact Baldor Generators for current engine warranties.

Section 3 Receiving & Installation

- Receiving & Inspection** When you receive your generator, there are several things you should do immediately.
1. Observe the condition of the shipping container and report any damage immediately to the commercial carrier that delivered your system.
 2. Verify that the part number of the system you received is the same as the part number listed on your purchase order.
 3. If the system is to be stored for several weeks before use, be sure that it is stored in a location that conforms to published storage temperature and humidity specifications. (Refer to Section 9 of this manual).

Lifting the Generator

When lift or hoist equipment is used to lift the generator and move it to position, be careful not to contact overhead wires or other obstacles. The generator weighs between 100 and 300 lbs. Use proper lift equipment and methods to avoid injury. Lift only by the tubular metal frame.

Figure 3-1 Premier Generators



Storage

If you will not be using the generator set for a significant amount of time (3 months or longer) you should store the generator to prevent any problems that could arise from sitting idle. Please fully read the following guidelines prior to storing the unit.

1. Remove all fuel from the engine's fuel tank.
2. Start the generator set and allow it to run out of fuel.
3. Close all the fuel valves.

Note: An alternative to draining the fuel from a gasoline engine is adding a fuel stabilizer, to minimize the formation of fuel gum deposits during storage (Follow the manufacturer's directions). After the fuel stabilizer is added, run the generator set for 5 minutes to get the stabilizer into the carburetor. After shutting the engine off, be sure to close all the fuel valves.

4. Disconnect and remove the battery if your generator set is so equipped.
5. Drain the used oil from the engine's crankcase and refill it with clean oil.
6. Remove the spark plugs and pour 1 oz. of clean engine oil into each cylinder. Put a rag over each spark plug port and turn the engine over approximately 5 times to distribute the oil in the cylinder.
7. Replace the spark plug(s) but do not connect the plug wires. This will help prevent accidental or unauthorized starting.
8. Provide maintenance to the engine and generator set as described in the engine and generator maintenance sections of this manual.
9. Cover any bare metal spots with paint or another type of rust preventative.

WARNING: Never store an engine with fuel in its tank indoors or in an enclosed, poorly ventilated area where gasoline fumes could reach an ignition source and cause an explosion.

Physical Location

The mounting location of the system is important. It should be installed in an area that is protected from direct harmful gases or liquids, dust, metallic particles, shock and vibration. It can only be installed in an outdoor location so the exhaust fumes are vented to the atmosphere. This system must never be installed inside an enclosed building, home, shop or garage etc.

Several other factors should be carefully evaluated when selecting a location for installation:

1. For effective cooling and maintenance, the generator should be mounted on a flat, smooth, non-flammable level surface. A concrete pad is ideal and provides a secure installation.
2. The location for the generator must be dry. Never operate a generator in an area that has standing water or puddles.
3. Installation should prevent obstructions by buildup of leaves, grass, sand, snow, etc. It is important that the unit be operated in a reasonably clean environment.
4. All engines give off considerable heat when running. The engine in your generator set uses air to keep it cool so it is important that the ambient temperature is cool and does not exceed 100°F (even while it is running). Where natural ventilation is inadequate a fan to boost circulation should be used.
5. Exhaust Gases from internal combustion engines are extremely poisonous. Never operate an engine indoors.

WARNING: Exhaust fumes/gases are extremely dangerous and can cause severe illness or death. Never breath exhaust fumes produced by a running engine. Only run the engine outdoors where ventilation is plentiful. Exhaust gases contain carbon monoxide, a colorless, odorless and extremely dangerous gas that can cause unconsciousness or death. Symptoms of carbon monoxide poisoning include: dizziness, nausea, headaches, sleepiness, vomiting or incoherence. If you or anyone else experiences these symptoms, get out into fresh air immediately. Stop the engine and do not restart the engine until it has been inspected and if necessary repaired or reinstalled in a well ventilated area.

6. All electrical equipment should be protected from excessive moisture. Failure to do so will result in deterioration of the insulation and may result in short circuits and a possible electrocution hazard.

Installation

The generator is completely assembled, tested and adjusted at the factory before it is shipped to you. External connections required at the time of installation are:

Note: The generator is shipped dry. This means no oil is in the engine crankcase and no battery is installed. You must refer to the engine manual and obtain the correct type and quantity of engine motor oil and the correct battery (if equipped for electric start).

1. Electrical Connections.
2. Ground Connection.

After installation, the post installation checks must be performed prior to starting the engine.

After these checks have been performed and the system operation is verified to be good, refer to Section 6 Maintenance for periodic checks that must be performed at scheduled intervals to ensure continued operation with minimal problems.

Electrical Connections All load connections are made at the panel using electrical cords with the proper mating plug for the receptacle being used. More than one receptacle can be used as long as the total load does not exceed the continuous rating of the generator.

WARNING: Never connect this generator to any buildings electrical system unless a licensed electrician has installed an approved transfer switch. The National Electrical Code (NEC) requires that connection of a generator to any electrical circuit normally powered by means of an electric utility must be connected by means of approved transfer switch equipment so as to isolate the electrical circuit from the utility distribution system when the generator is operating. Failure to isolate the electrical circuits by such means may result in injury or death to utility power workers due to backfeed of electrical energy onto the utility lines.

Use correct size insulated wire to connect the generator to the load. The gauge of the wire will depend on the distance to the load, the permissible voltage drop at the load, and the current required by the load. If you are not sure of the gauge wire needed for your application, consult a competent electrician. Using wire that is too small can result in fire hazard. Also, be sure the wire has the appropriate ratings for insulation and environment conditions.

The correct mating connector must be used to fit the connectors provided on the operator panel of your generator. Table 3-1 describes the connector types provided (receptacles) and the load characteristics to help you choose the correct size wire. Figure 3-2 shows the receptacles.

Electrical Connections Continued

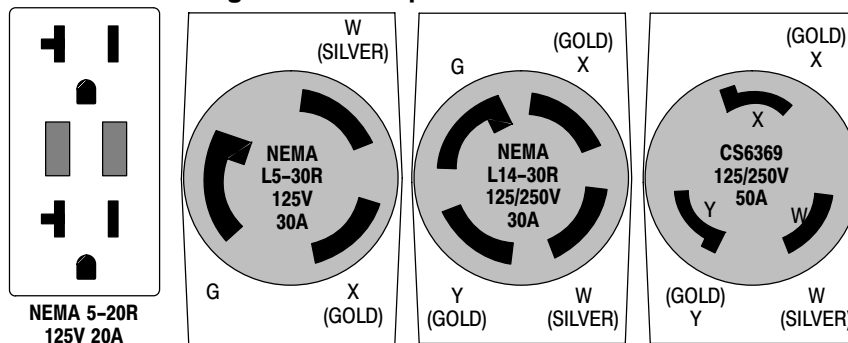
Table 3-1 Single Phase Power Receptacle Description

Model	Electrical Connection Information (Receptacle Provided at Panel)				
	Straight 120VAC (20Amp)	Twist Lock 120VAC (30Amp)	Twist Lock 120/240VAC (30Amp)	Twist Lock 120/240VAC (50Amp)	Rated Watts/ (Full load Amps 120/240)
K3000	2- 5-20R GFCI 120VAC	1- L5-30R 120VAC			2500 / (20.8)
K5000	4- 5-20R GFCI 120VAC	1- L5-30R 120VAC	1- L14-30R 120/240VAC		4500 / (37.5/18.7)
K5000E	4- 5-20R GFCI 120VAC	1- L5-30R 120VAC	1- L14-30R 120/240VAC		4500 / (37.5/18.7)
K6500	4- 5-20R GFCI 120VAC	1- L5-30R 120VAC	1- L14-30R 120/240VAC		6000 / (50.0/25.0)
K6500E	4- 5-20R GFCI 120VAC	1- L5-30R 120VAC	1- L14-30R 120/240VAC		6000 / (50.0/25.0)
R30	4- 5-20R GFCI 120VAC				2500 / (20.8)
R45/R45E	4- 5-20R GFCI 120VAC	1- L5-30R 120VAC	1- L14-30R 120/240VAC		4000 / (33.3/16.7)
R60/R60E	4- 5-20R GFCI 120VAC	1- L5-30R 120VAC	1- L14-30R 120/240VAC		5000 / (41.6/20.8)
OHV30	4- 5-20R GFCI 120VAC				2500 / (20.8)
OHV50H	4- 5-20R GFCI 120VAC	1- L5-30R 120VAC	1- L14-30R 120/240VAC		4000 / (33.3/16.7)
OHV60/OHV60E	4- 5-20R GFCI 120VAC	1- L5-30R 120VAC	1- L14-30R 120/240VAC		5000 / (41.6/20.8)
OHV85E	4- 5-20R GFCI 120VAC	1- L5-30R 120VAC	1- L14-30R 120/240VAC		10000 / (83.3/41.6)
OHV100E	4- 5-20R GFCI 120VAC	1- L5-30R 120VAC	1- L14-30R 120/240VAC	1- CS6369 120/240VAC	8000 / (66.7/33.4)
OHV110E	4- 5-20R GFCI 120VAC	1- L5-30R 120VAC	1- L14-30R 120/240VAC	1- CS6369 120/240VAC	9500 / (79.2/39.6)

Note: GFCI is Ground Fault Protected power.

Class 1 wiring methods must be used for field wiring connections to terminals of a Class 2 circuit.

Figure 3-2 Receptacle Connections



Frame Ground Connection

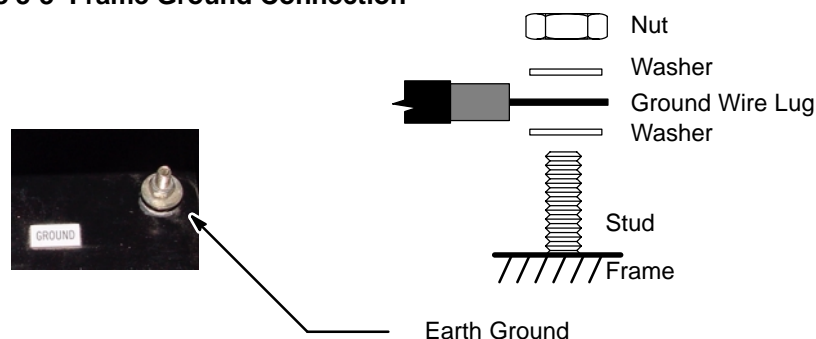
WARNING: Be sure the system is properly grounded before applying power. Do not apply AC power before you ensure that grounds are connected. Electrical shock can cause serious or fatal injury. NEC requires that the frame and exposed conductive surfaces (metal parts) be connected to an approved earth ground. Local codes may also require proper grounding of generator systems.

The NEC requires that the frame and exposed metal surfaces be at local ground reference potential to avoid electrical shock hazard. A local ground reference may require a driven earth ground conductor at the generator installation site. Make the ground connection as shown in Figure 3-3. Use the appropriate size wire (normally 6 AWG) as required by NEC and local codes. The local reference ground is normally a copper clad earth ground rod driven into the earth at least 8 feet.

WARNING: Do not connect the generator output neutral to the frame or local ground. The generator output is isolated from ground. NEC and local codes require that the generator output remain isolated from local ground reference.

Frame Ground Connection Continued

Figure 3-3 Frame Ground Connection



Engine Oil

Refer to the engine manual that was provided with your generator. Determine the correct type of engine oil and the amount specified by the engine manufacturer. Add the required amount of oil to bring the oil level to full.

Battery Connections Applies to 12VDC Electric Start models only.

The generator is shipped with no battery installed.

WARNING: Do not dispose of battery or batteries in a fire. The battery is capable of exploding. If the battery explodes, electrolyte solution will be released in all directions. Battery electrolyte solution is caustic and can cause severe burns and blindness. If electrolyte contacts skin or eyes, immediately flush the area with water and seek medical attention quickly.

WARNING: Do not mutilate the battery. The battery contains electrolyte solution which is caustic and can cause severe burns and blindness. If electrolyte contacts skin or eyes, immediately flush the area with water and seek medical attention quickly.

WARNING: A battery presents a risk of electrical shock hazard and high short circuit current. The following precautions are to be followed when working on batteries:

1. Remove watches, rings, necklaces and all other metal objects.
2. Use tools with insulated handles.
3. Wear rubber gloves and boots.

WARNING: The battery electrolyte is a dilute sulfuric acid that is harmful to the skin and eyes. It is electrically conductive and corrosive. The following precautions are to be followed when working on batteries:

1. Wear full eye protection (safety glasses or goggles) and protective clothing.
2. Where electrolyte contacts the skin, flush the area immediately with water and wash it off using soap and water.
3. Where electrolyte contacts the eyes, immediately flush the eye thoroughly with water and seek medical attention quickly.
4. Spilled electrolyte is to be washed down with an acid neutralizing agent. A common practice is to use a solution of one pound (500 grams) bicarbonate of soda to one gallon (four liters) of water. the bicarbonate solution is to be added until evidence of reaction (foaming) has ceased. The resulting liquid is to be flushed with water and the area dried.

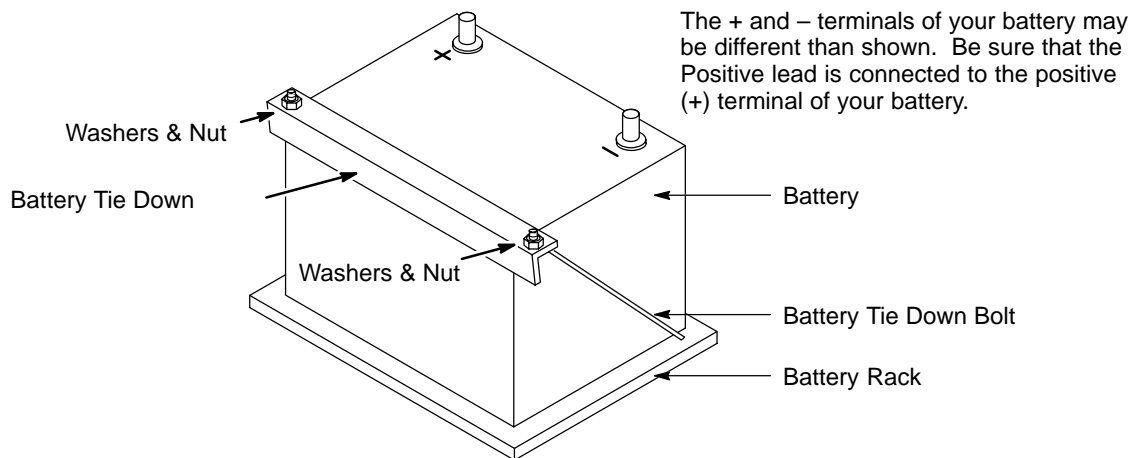
WARNING: A battery presents a risk of fire because they generate hydrogen gas. Hydrogen gas is extremely explosive. Never jump start a battery, smoke in the area around the battery or cause any spark to occur in the area around the battery. The following precautions are to be followed when working on batteries:

1. Do not smoke when near batteries.
2. Do not cause flame or spark in battery area.
3. Discharge static electricity from body before touching batteries by first touching a grounded metal surface.

Battery Connections Continued

- Procedure:** The correct type battery must be purchased and installed in the battery compartment provided.
1. Remove the bag containing the battery box components.
 2. Set the battery on the battery tray.
 3. Install the battery hold down rods as shown in Figure 3-4.
 - a. Place the bent end of the battery hold down rod through the hole in the battery tray.
 - b. Place the threaded end of the battery hold down rod through the hole in the battery hold down bar and secure with flat washer, lock washer and nut.
 - c. Repeat steps a and b for the other battery hold down rod.
 4. Connect the battery cables to the battery, be sure the Positive lead is connected to the positive (+) battery terminal and the negative lead is connected to the positive (-) battery terminal.

Figure 3-4 Battery Installation



Use of Electric Motor Loads

Electric motors require much more current (amperes) to start them than to keep them running. Some motors, particularly split-phase motors are very difficult to start and require 5 to 7 times more current to start them. Repulsion-induction type motors are the easiest to start and normally only require 2 to 3 times as much current to start them.

Most fractional horsepower motors take about the same amount of current to start them and keep them running. This is true whether they are the repulsion-induction type motor, capacitor type motor, or the split-phase type motor.

Other factors that influence the amount of current needed to start a motor are:

1. **The type of load connected to the motor.** If the electric motor is connected to a hard starting load such as an air compressor it will require more starting current. If the same electric motor is connected to a light load such as a heater or power saw it will require less starting current.
2. **The brand or design of the electric motor.** The expected starting current for a particular size motor will vary depending on the brand of the electric motor as well as the type of electric motor (Split Phase, capacitor, Repulsion-induction type, etc.)
3. **The condition of the electric motor.** A clean motor with free turning bearings will require less starting currents than a similar type motor that is dirty and the bearings are not as free turning as they used to be.

Optional Wheel Kit PDG2 – 2 Wheel Dolly Kit; and PDG4 – 4 Wheel Dolly Kit

An optional 2 or 4 wheel dolly kit is available for Premier portable generators. If you have purchased one of these kits, refer to MN2409 for the installation instructions.

Recommended Engine Oil and Battery Type**Series K**

MODEL	SUMMER OIL	WINTER OIL	OIL CAPACITY	RECOMMENDED BATTERY	(AMPS) COLD CRANKING
K3000/15.30030	SAE. 30	5W/30	1.3 PTS	N/A	N/A
K5000/15.30050	SAE. 30	5W/30	1.75PTS	N/A	N/A
K6500/15.30052	SAE. 30	5W/30	1.75 PTS	N/A	N/A
K5000E/15.30051	SAE. 30	5W/30	1.75 PTS	Y50-N18L-A3	300
K6500E/15.30053	SAE. 30	5W/30	1.75 PTS	Y50-N18L-A3	300

Series R

MODEL	SUMMER OIL	WINTER OIL	OIL CAPACITY	RECOMMENDED BATTERY	(AMPS) COLD CRANKING
R30-15.11030	SAE. 30	5W/30	1.0 PTS	N/A	N/A
R45-15.11040	SAE. 30	5W/30	1.65 PTS	N/A	N/A
R60-15.11060	SAE. 30	5W/30	1.90 PTS	N/A	N/A
R60E-15.11062	SAE. 30	5W/30	1.90 PTS	BCI 16-B	300

Series OHV

MODEL	SUMMER OIL	WINTER OIL	OIL CAPACITY	RECOMMENDED BATTERY	(AMPS) COLD CRANKING
OHV30-15.20030	SAE. 30	5W/30	.85 PTS	N/A	N/A
OHV40-15.21042	SAE. 30	5W/30	2.0 PTS	N/A	N/A
OHV50-15.21045	SAE. 30	5W/30	2.30 PTS	N/A	N/A
OHV50E-15.21046	SAE. 30	5W/30	2.30 PTS	Interstate SP-40	340
OHV50H-15.21050	SAE. 30	5W/30	1.90 PTS	N/A	N/A
OHV60-15.21057	SAE. 30	5W/30	2.0 PTS	N/A	N/A
OHV60E-15.21059	SAE. 30	5W/30	2.0 PTS	Interstate SP-40	340
OHV85E-15.20075	SAE. 30	5W/30	2.0 PTS	Interstate SP-40	340
OHV100E-15.20090	SAE. 30	5W/30	2.0 PTS	Interstate SP-40	340
OHV110E-15.20110	SAE. 30	5W/30	2.30 PTS	Interstate SP-40	340

Section 4 Operation

Operator Control Panel

Each operator panel is slightly different, depending on features of the generator you purchased. The Operator Control Panel of Figure 4-1 is shown because it has most of the available features. This will be used to explain how the controls operate.

Figure 4-1 Operator Control Panel



- Auto Idler** Off – The engine will run continuously at the predetermined speed set by the governor.
ON – Allows the engine to run at slow speed when there is no electrical load. When an electrical load is applied, the Auto Idler control changes the engine speed to the predetermined speed set by the governor.
- Elapsed Time** An hour meter that measures the total hours the generator has been in use (engine running).
- AC Voltmeter** Displays the voltage level at the output of the generator (the 230VAC output).
- AC Circuit Breakers** Provide overcurrent protection for the generator output. When tripped, the plunger (in center of breaker) will extend out about 3/8 inch. Remove the loads, push the plunger into the breaker to reset the breaker the restore the loads.

WARNING: Never connect this generator to any buildings electrical system unless a licensed electrician has installed an approved transfer switch. The National Electrical Code (NEC) requires that connection of a generator to any electrical circuit normally powered by means of an electric utility must be connected by means of approved transfer switch equipment so as to isolate the electrical circuit from the utility distribution system when the generator is operating. Failure to isolate the electrical circuits by such means may result in injury or death to utility power workers due to backfeed of electrical energy onto the utility lines.

Receptacles – Receptacles are provided to allow easy connection of electrical loads. Never connect this generator to any buildings electrical system unless a licensed electrician has installed an approved transfer switch. Multiple receptacles may be used at the same time provided the total electrical load does not exceed the generators rated output.

- 120Volts – NEMA 5–20R GDCI Duplex receptacle provides ground fault protection.
Rated 125VAC at 20 Amperes.
- 30 Amps 120 Volts – Twist lock NEMA L5–30R receptacle, rated 125 Volts at 30 Amperes.
- 30 Amps 120/240 Volts – Twist lock NEMA L14–30R receptacle rated 250Volts at 30 Amperes.
- 50 Amps 120/240 Volts – Twist lock CS6369 receptacle rated 250Volts at 50 Amperes.

Note: The nominal voltage produced by the generator at each receptacle is 120VAC or 240VAC.

Pre-Start Checks Before the engine is started, several things must first be checked.

1. Place the generator set in an open, dry, well ventilated and reasonably level location.
2. If grounding is required for your application, check to make sure your unit is grounded properly (see Section 3).
3. Check the engine's oil level and add oil if necessary to bring it to the level recommended by the engine manufacturer.
4. Check the fuel level and add fuel to within 1/2 inch of the fill tube if necessary.
5. Open the fuel valve on the fuel tank.
6. Check the fuel system for fuel leaks and repair them prior to starting the engine. Wipe up any fuel spills before starting the engine.
7. Disconnect or "turn off" all external loads.
8. Make sure all circuit breakers are set (pushed in).

Start-Up Procedure

Electric Start

1. Move the engine's choke lever to the "Choke/Start" position. If the engine is warm or if the ambient air temperature is high; try starting the engine without choking it.
2. Move the Control Panel Engine "ON/OFF" switch to "ON" (if equipped).
3. Engage the electric start motor.
(Push the engine's start switch or turn the key switch fully clockwise).
4. Do not allow the starter motor to crank for more than 10 seconds at a time.
5. Allow 20 seconds between starter motor cranking attempts.
6. Once the engine has started, release the start switch and do not re-engage it.

Note: If the engine does not start after a few attempts, smell for fuel near the air cleaner. If there is a significant gasoline smell, turn the choke lever off and attempt to start the engine.

7. When the engine starts, turn the engine's choke lever to the "OFF" position.
8. Power is now present at the receptacles.
Connect or "turn on" the loads you wish to operate.

Recoil Start

1. Move the engine's choke lever to the "Choke/Start" position. If the engine is warm or if the ambient air temperature is high; try starting the engine without choking it.
2. Move the Control Panel Engine "ON/OFF" switch to "ON" (if equipped).
3. Pull lightly on the recoil grip until you feel significant resistance, then pull sharply. Allow the recoil to gently rewind into the recoil housing. See your engine manual for instructions specific to your unit. Do not allow the recoil rope to "snap back" into the recoil housing.

Note: If the engine does not start after turning the engine over a few times, smell for fuel near the air cleaner. If there is a significant gasoline smell coming from the air cleaner, turn the choke lever off and attempt to start the engine with the choke off.

4. When the engine starts, turn the engine's choke lever to the "OFF" position.
5. Power is now present at the receptacles.
Connect or "turn on" the loads you wish to operate.

Stopping Procedure

1. Disconnect or "Turn Off" all loads connected to the generator set.
2. Move the Control Panel Engine "ON/OFF" switch to "OFF" (if equipped).
3. Push the engine stop switch if so equipped.
OR
Turn the engine key switch to the "OFF" position.
4. Turn all fuel valves off.

Section 5 Troubleshooting and Maintenance

Maintenance

This manual contains only very minimal engine maintenance instructions. Refer to the engine manufacturer's owner's manual for specific engine maintenance instructions for your generator set. Any maintenance instructions or recommendations in the engine owner's manual take precedence over any of the following general recommendations.

General:

1. Inspect the fuel system for leaks. Replace all defective components immediately.
2. Inspect and replace any fuel line that shows signs of deterioration.
3. Inspect all fuel clamps to ensure they are tight.
4. Make sure the fuel cap fits snugly on the fuel tank and that the fuel tank does not leak.
5. Inspect and clean the battery posts and the associated battery cable terminals.
6. Inspect the external wire cables and connectors used with the generator set for cuts, frayed insulation, or loose connections. Repair or replace damaged parts before use.
7. The engine should be checked for proper speed setting(s).
Prior to adjusting the engine speed, turn the auto idler switch to "OFF" (if present). Make sure that the auto idler magnet does not touch the throttle lever of the engine when running.
 - a. Disconnect all electrical loads and start the engine.
 - b. Adjust the engine speed to 3720 RPM (62 Hz) with no load speed.
 - c. Adjust the auto idler speed after you have accomplished the above adjustment.
 - d. Adjust the auto idler speed by moving the electro-magnet back and forth in the magnet bracket to achieve an engine RPM of 2500–2900 with the auto idler switch "ON".
8. Test all GFCI receptacles monthly by pressing the test button on the receptacle and making sure that the GFCI trips and no voltage is present at the receptacle. Replace any GFCI receptacle that fails the test.

Engine:

1. Clean and/or replace any fuel, oil, and/or air filters per the engine manufacturers' guidelines.
2. Check oil level regularly; at least every 5 to 8 operating hours. Maintain the proper oil level.
3. Change the oil as is recommended in the engine manufacturer's owner's manual.
4. Replace the spark plug(s) as is recommended by the engine manufacturer.
5. Clean the cooling fins on the engine to keep the engine's heat dissipation potential at its maximum.
6. Inspect and clean all governor and carburetor linkages so they operate properly.
7. Inspect the recoil starting rope for any damage and replace it if necessary (if applicable).
8. Clean the trash screen around the recoil starter or other cooling air intake.

Alternator: (also called Generator End)

This generator set must be run at its proper speed to obtain the correct electrical power at its output. All engines have a tendency to slow down when a load is applied to it. The engine governor is designed to hold the operating speed as nearly constant as possible. When the electrical load is increased, the engine is more heavily loaded and engine speed drops slightly. This slight decrease in engine speed results in a slight decrease in generator voltage and frequency output. This voltage and frequency variation has no appreciable effect in the operation of motors, lights, and most appliances and tools. However, timing devices and clocks will not keep perfect time when used on this generator.

1. Clean the generator set and remove any and all dust, dirt, or other foreign material.
2. Inspect and clean the cooling air intake and exhaust louvers of the generator end. Make sure they are clean. Remove dirt or any buildup that may restrict the cooling air flow.
3. Clean the generator set and its components with a damp cloth or sponge. Never use a water hose or pressure washer as this may damage electrical components.
4. Inspect and replace any control panel components that are broken or not working properly (receptacles, circuit breakers, switches, etc.)

Problems and Solutions

Some of the more common problems are listed in Table 5-1. This information is intended to be a check or verification that simple causes can be located and fixed. It is not an exhaustive “how to” for all types of problems. Procedures that require in depth knowledge or skills (like flashing the field) should be referred to the Baldor Generator Service Department by calling (920) 236–4200.

Table 5-1 Troubleshooting Guide

Problem	Possible Cause	Remedy
Engine will not start	No fuel. Restricted air flow. No spark.	Check that fuel valves are ON. Check fuel level in fuel tank. Check/replace air filter. Check/replace spark plug(s). Check that engine switch is in Start position.
Engine will not crank (electric start)	Dead battery.	Remove battery and trickle charge or replace with new battery. Never Jump Start.
Engine starts but will not run smoothly	Fuel or ignition problem	Refer to engine manual.
Engine overheats	Excessive load Debris or dirt buildup on engine	Remove one or more electrical loads. Remove debris. Clean engine surfaces to allow cooling.
No output voltage	Circuit Breaker tripped or defective. Loss of residual magnetism in exciter field poles. Open in stator windings Defective exciter circuit.	Reset circuit breaker or replace if required. Flash field. Check for continuity in windings. Return to factory for repair if open. Check/replace diode and capacitor and flash the field.
Output voltage varies	Irregular speed (fixed speed mode) Fluctuating speed (fixed speed mode) Loose terminal or load connections Defective bearing (uneven air gap)	Check engine for malfunction or load for fluctuation Stabilize load. The addition of a lamp load (resistance load) may compensate partially for load changes caused by intermittent motor operation. Do not overload. Verify all connections are proper and check tightness torque of terminals. Replace worn bearing
Low output voltage	Low engine speed Excessive load High resistance connections - connections will be warm or hot Shorted field Low power factor	Check that the Auto Idle switch is in OFF position. Check engine for malfunction or system for overload. Reduce load. Verify all connections are proper and check tightness torque of terminals. Test field coils for possible short by checking resistance with an ohmmeter or resistance bridge. Return rotor assembly to factory for repair if alternator field coils are shorted. Reduce inductive (motor) load. Some AC motors use about the same current regardless of load. Do not use motors of greater horsepower rating than is necessary to move the mechanical load.
High output voltage	Excessive speed (fixed speed mode)	Check engine for malfunction
Electrical shock when frame is touched	Static charge. Grounded armature or field coil.	Ground generator frame at local reference ground (see Section 3). Return to factory for repair
Mechanical noise	Defective bearing Rotor rubbing on stator Loose or misaligned coupling	Replace bearing Bad bearing – replace. Bent shaft – return to factory. Loose end bell – tighten; Loose drive Discs – tighten Tighten; align coupling and alternator shaft to engine shaft.

Service Service for your generator can be obtained from the service department at Baldor Generators by calling (920) 236–4200. Please have the following information available prior to contacting the factory:

The model number and serial number of the generator set.

A complete and accurate description of the problem.

Parts Parts for your generator can be obtained from the service department at Baldor Generators by calling (920) 236–4200. Please have the following information available prior to contacting the factory:

The model number and serial number of the generator set.

A complete and accurate description of the part (part number if known).

Note: Engine parts can usually be obtained from a local distributor by using the information in the engine manufacturer’s owner’s manual.

Appendix A

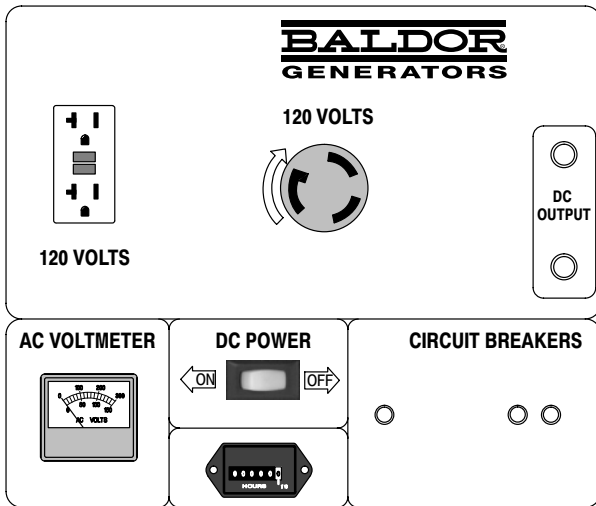
Premier K Series

Information in this Appendix applies to the following Baldor Generators:
K3000, K5000, K5000E, K6500, K6500E

Caution: The brass connecting tab on some 120VAC duplex receptacles have been removed. Each receptacle is powered by a separate generator winding. When replacing a receptacle, inspect the brass tab that normally links both receptacles. If it is removed, be sure to remove the brass tab from the replacement receptacle before it is installed. Failure to remove the tab will cause a direct short to the generator windings and cause possible generator damage.

Operator Panel Configuration

Figure A-1 K3000 Operator Panel



NEMA 5-15R GFCI Receptacle.

This ground fault circuit interrupter duplex receptacle is rated at 125VAC, 15 Amps.

NEMA L5-30R Receptacle. Twist-lock style receptacle rated for 125VAC, 30 Amps.

DC Output.

12VDC output terminals for 12V loads.

AC Voltmeter.

This voltmeter displays the voltage level being produced by the generator set.

DC Power

Turns On/Off DC power at the DC Output terminals.

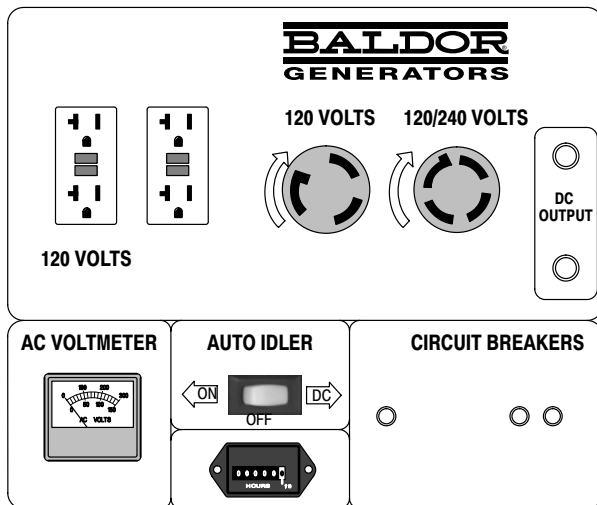
Hour Meter.

Displays the total run time hours of the generator set.

Circuit Breakers.

Provide overload protection for the generator set.

Figure A-2 K5000/K5000E/K6500/K6500E Operator Panel



NEMA 5-15R GFCI Receptacle.

This ground fault circuit interrupter duplex receptacle is rated at 125VAC, 15 Amps.

NEMA L5-30R Receptacle. Twist-lock style receptacle rated for 125VAC, 30 Amps.

NEMA L14-30R Receptacle. Twist-lock style receptacle rated for 125/250VAC, 30 Am

DC Output.

12VDC output terminals for 12V loads.

AC Voltmeter.

This voltmeter displays the voltage level being produced by the generator set.

Auto Idler Switch.

ON - Auto idler is active, engine RPM will reduce when load is removed.

OFF - Engine runs at fixed speed (set by governor).

DC ON - Auto Idler is Off and DC output terminals have power for 12V loads.

Hour Meter.

Displays the total run time hours of the generator set.

Circuit Breakers.

Provide overload protection for the generator set.

Replacement Parts

Replacement parts assembly views for the Generator set are shown in Figure A-3 and A-4. Parts information is provided in Table A-1. Parts information for the engine is provided in the engine manual that was provided with your generator set. Please refer to the engine manual for replacement parts information.

Figure A-3 Alternator Assembly

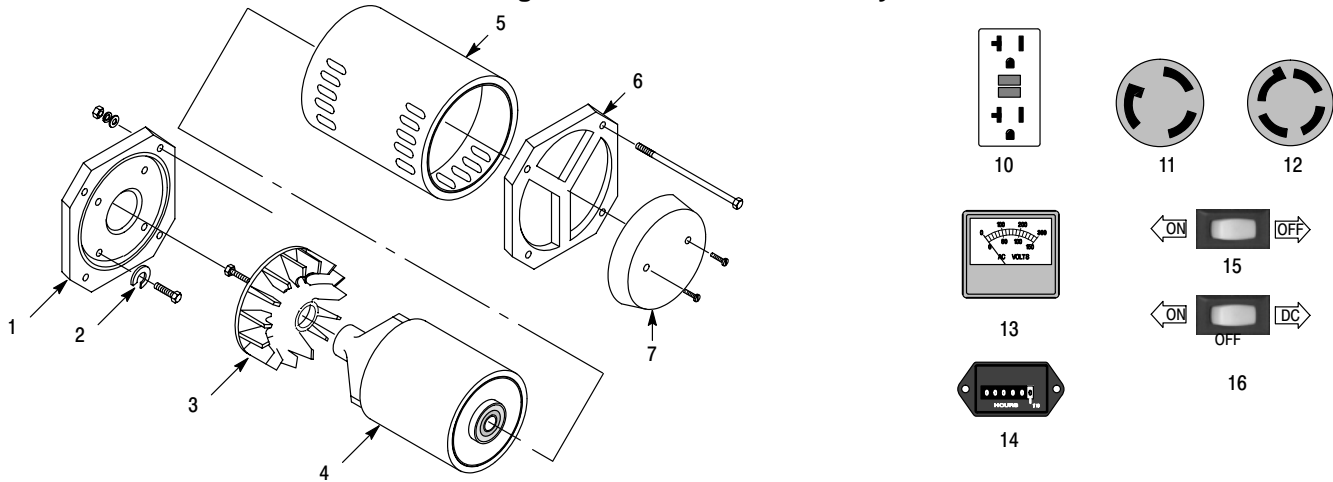


Figure A-4 Frame Assembly

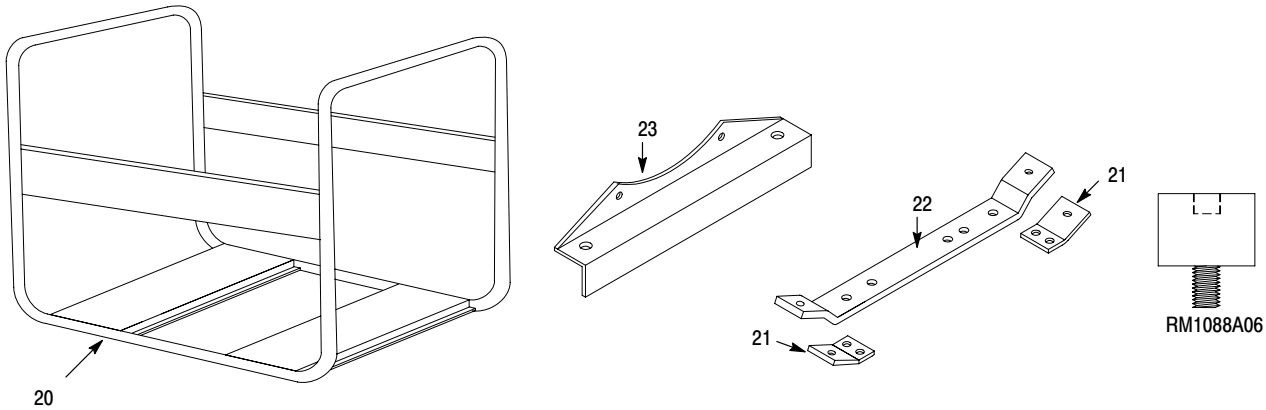


Table A-1 Generator Set Parts List

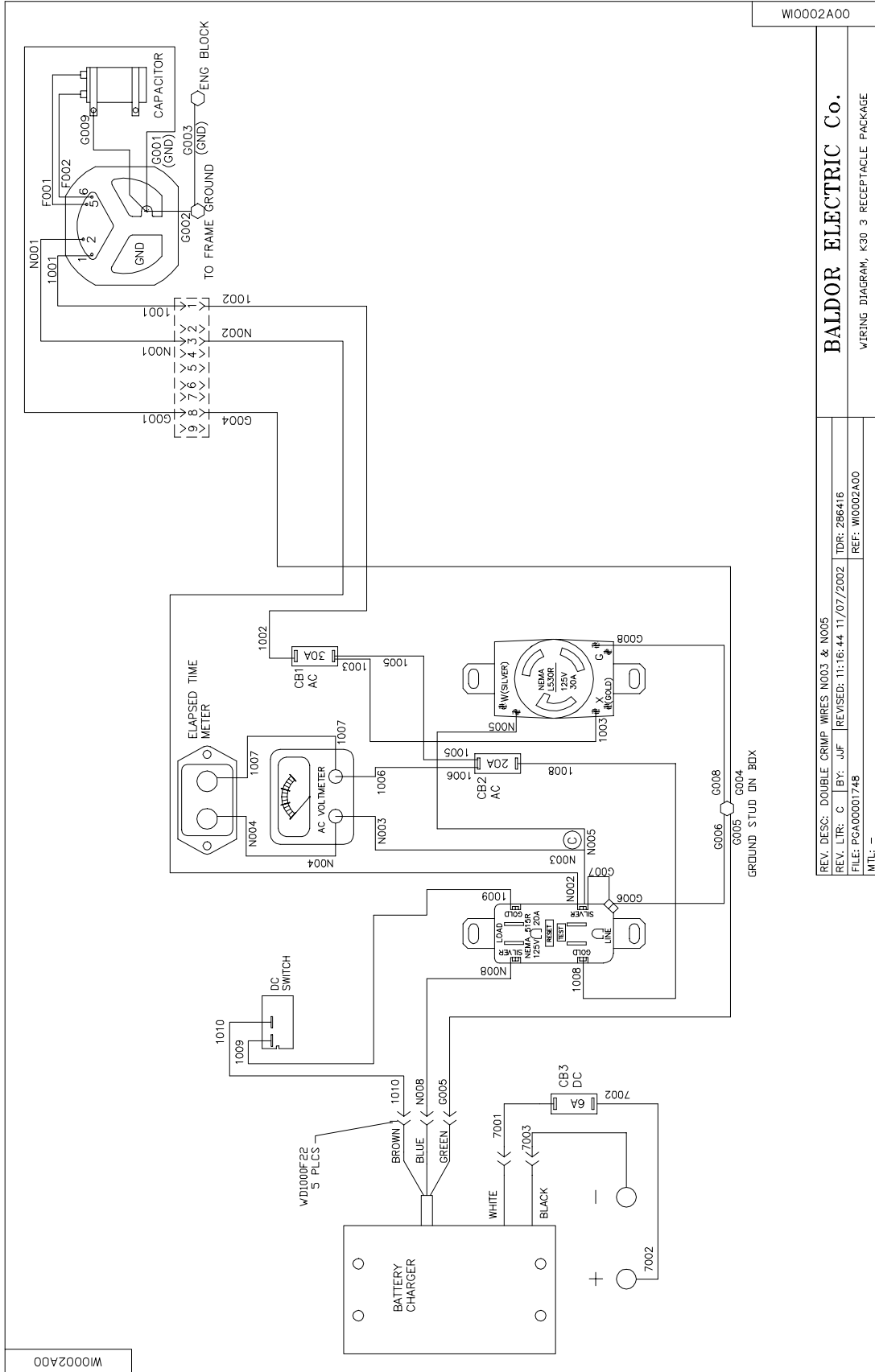
Ref No.	Part No.	Description	K3000	K5000	K5000E	K6500	K6500E
1	HA9139A00	Adaptor	X				
1	HA9139A01	Adaptor		X	X	X	X
2	HA1037A00	"C" Washer	X	X	X	X	X
3	61FN3000	Fan	X	X	X	X	X
4	61RA0011A00	Rotor Assembly (includes bearing)	X				
4	61RA0013A00	Rotor Assembly (includes bearing)		X	X		
4	61RA0015A00	Rotor Assembly (includes bearing)				X	X
5	61SA0036A00	Stator Assembly	X				
5	61SA0036A01	Stator Assembly		X	X		
5	61SA0036A02	Stator Assembly				X	X
6	61EP3204A01	Bearing Bracket (bearing included with rotor)	X	X	X	X	X
7	EH0359A01L	Cover	X	X	X	X	X
10	WD1541A33	GFCI Duplex Receptacle, 250VAC at 20 Amps, NEMA 5-15R	X	X	X	X	X
11	WD1541A10	Receptacle, 125VAC at 30 Amps, NEMA L5-30R	X	X	X	X	X
12	WD1541A14	Receptacle, 125/250VAC at 30 Amps, NEMA L14-30R		X	X	X	X

Table A-1 Generator Set Parts List Continued

Ref No.	Part No.	Description	K3000	K5000	K5000E	K6500	K6500E
Not Shown	EH0434A00L2B	Control Box (Operator Panel)	X	X	X	X	X
Not Shown	EH0435A00L2B	Control Panel Cover (Operator Panel)	X	X	X	X	X
13	WD3201A02	AV Voltmeter (Dual Scale)	X	X	X	X	X
14	WD3201A00	Hour Meter	X	X	X	X	X
15	SP9129	Idler Switch, 2 position rocker	X				
16	SP9128	Idler Switch, 3 position rocker		X	X	X	X
Not Shown	CT0046A00	Idler Transformer		X	X	X	X
Not Shown	EB1242A00	Idler Module		X	X	X	X
Not Shown	DI0176A01	Diode	X	X	X	X	X
Not Shown	RR0244A00	Varistor		X	X	X	X
Not Shown	OC3020F12	Capacitor, 20MFD / 370V	X				
Not Shown	OC6030F11	Capacitor, 30MFD / 370V, 90 degree		X	X	X	X
Not Shown	CK0077A01	Circuit Breaker 20Amp	X	X	X	X	X
Not Shown	CK0077A02	Circuit Breaker 30Amp	X				
Not Shown	CK0077A03	Circuit Breaker 6Amp	X	X	X	X	X
Not Shown	CK0078A00	Circuit Breaker 20/30Amp (magnetic double pole)		X	X	X	X
Not Shown	SP9079	Circuit Breaker Switch, DPDT	X	X	X	X	X
Not Shown	TA0000A02	Fuel Tank	X				
Not Shown	TA0002A02	Fuel Cap with Gauge	X				
Not Shown	TA0000A03	Fuel Tank		X	X	X	X
Not Shown	TA0002A04	Fuel Cap with Gauge		X	X	X	X
Not Shown	EA0011A00	Fuel Filter, in-line	X	X	X	X	X
Not Shown	EA50535A00L4B	Muffler	X				
Not Shown	EA50535A01L4B	Muffler		X	X	X	X
Not Shown	EA50535A02	Spark Arrestor	X	X	X	X	X
20	BA0187A02R2B	Base Frame	X				
20	BA203A02R2B	Base Frame		X	X	X	X
21	HB7025A00	Engine Mounting Foot		X	X	X	X
22	HB7002A07	Engine end frame cross member		X	X	X	X
23	HB6150A00	Alternator end frame cross member	X				
Not Shown	RM1088A05	Isolator, Engine end and generator end (1 each end)	X				
Not Shown	RM1088A06	Isolator, Engine end		X	X	X	X
Not Shown	RM1088A06	Isolator, Generator end		X	X		
Not Shown	RM1088A07	Isolator, Generator end				X	X
Not Shown	HB6116A00	Battery Tie Down			X		X
Not Shown	HA3187A12	Battery Tie Down Bolt			X		X
Not Shown	HB6134A02	Battery Rack			X		X
Not Shown	EA0010A02	Battery Charger, 12V, 6AMP			X		X
Not Shown	LB0094A12	Decal, Warning		X			
Not Shown	LB0094A35	Decal, Warning	X				
Not Shown	LB9604A00	Decal, K3000	X				
Not Shown	LB9604A01	Decal, K4500, K5000, K6500		X	X	X	X
Not Shown	LB9605A00	Decal, Baldor Logo, Side	X	X	X	X	X
Not Shown	LB9606A01	Decal, Baldor Logo, 4"	X	X	X	X	X
Not Shown	LB9607A00	Decal, K3000	X				
Not Shown	LB9607A01	Decal, K5000		X			
Not Shown	LB9607A02	Decal, K5000E			X		
Not Shown	LB9607A03	Decal, K6500				X	
Not Shown	LB9607A04	Decal, K6500E					X

Wiring Diagrams Wiring diagrams for these generators are contained on the following pages of this appendix.

Figure A-5 K3000 Wiring Diagram



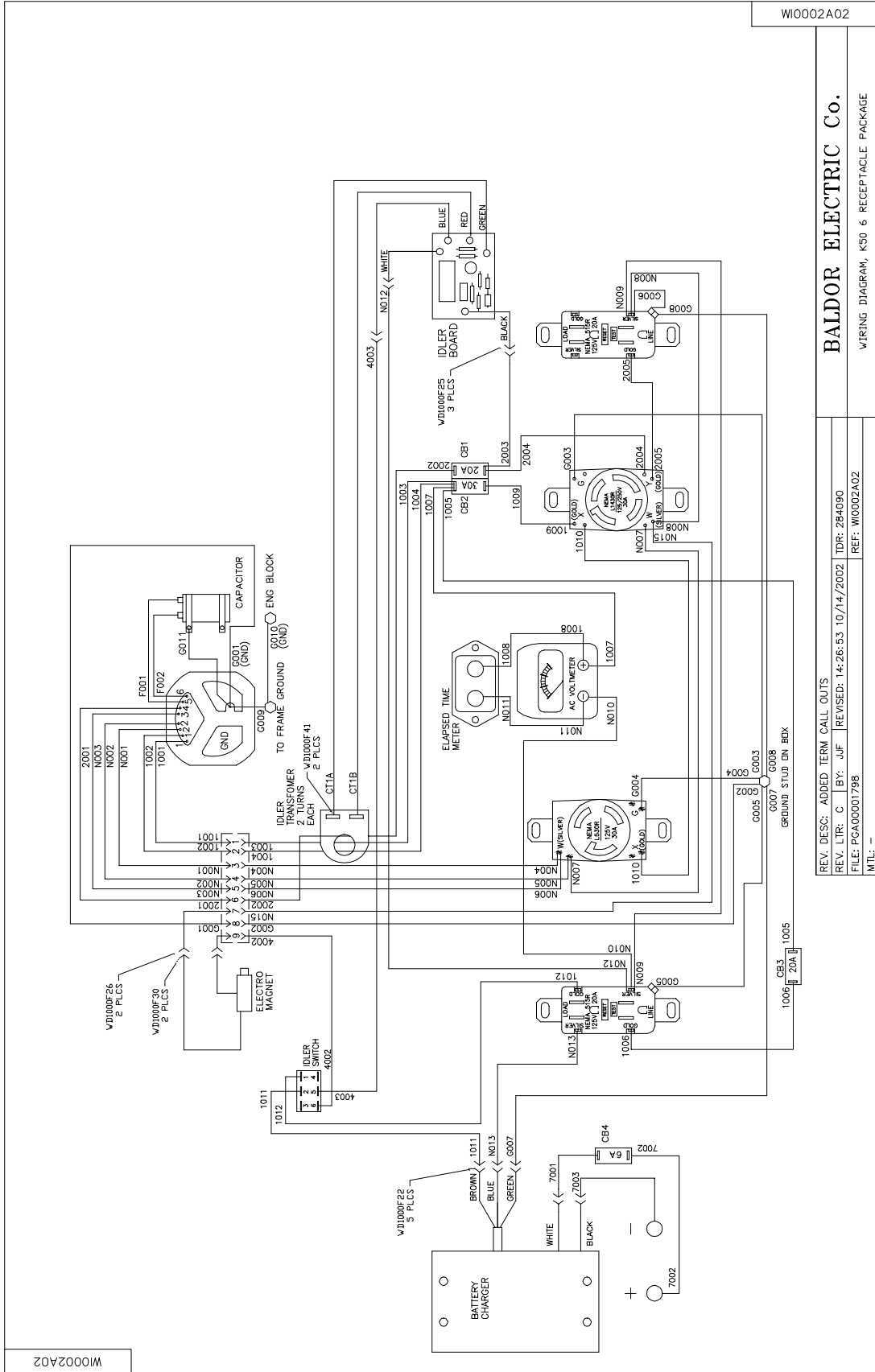
W0002A00

BALDOR ELECTRIC Co.
WIRING DIAGRAM, K30 3 RECEPTACLE PACKAGE

REV. DESC: DOUBLE CRIMP WIRES N003 & N005
REV. LTR: C BY: JF REVISED: 11/16/44 11/07/2002 TDR: 286416
FILE: PGA00001748 REF: W0002A00
MTL: --

W0002A00

Figure A-6 K5000 Wiring Diagram



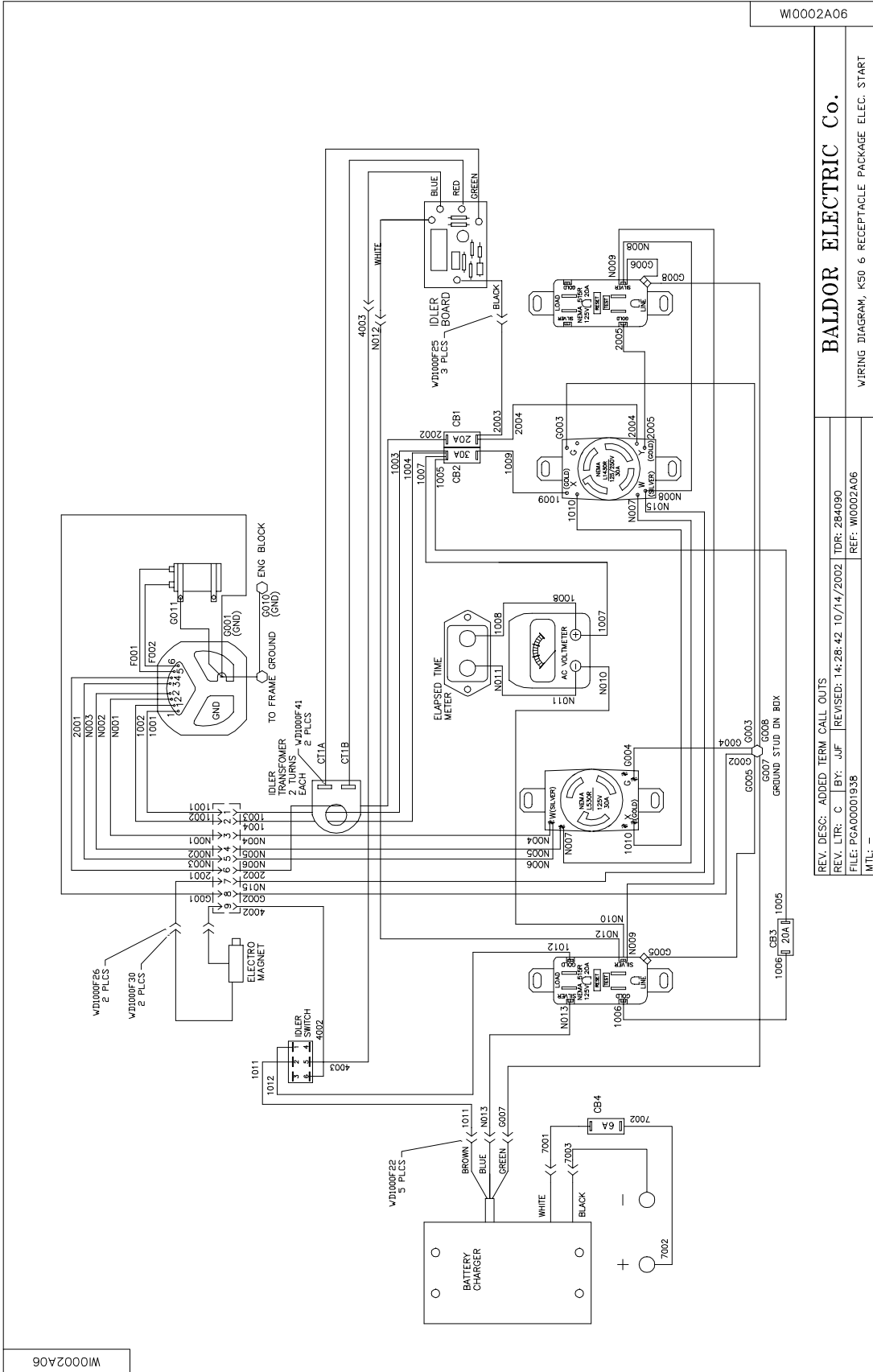
W0002A02

BALDOR ELECTRIC Co.

WIRING DIAGRAM, K50 6 RECEPTACLE PACKAGE

REV. DESC: ADDED TERM CALL OUTS
 REV. LTR: C BY: J-F REVISED: 14-26:53 10/14/2002 TDR: 284090
 FILE: PCA00001798 REF: W0002A02
 IML: -

Figure A-7 K5000E Wiring Diagram



W0002A06

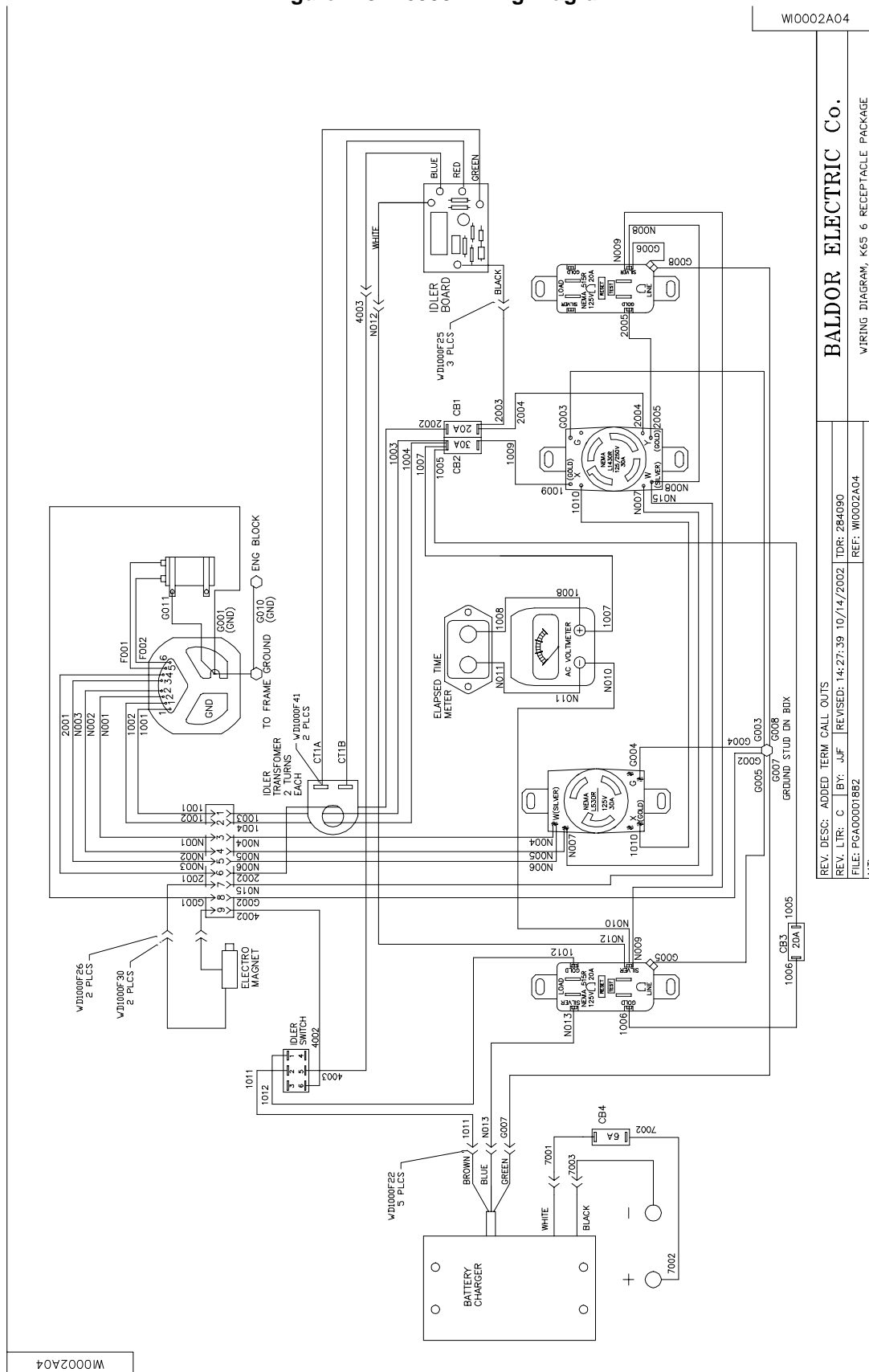
BALDOR ELECTRIC Co.

REV. DESC: ADDED TERM. CALL OUTS
 REV. LTR: C BY: JF REVISED: 14:28:42 10/14/2002 TDR: 284090
 FILE: PGA00001938 REF: W0002A06

WIRING DIAGRAM, K50 6 RECEPTACLE PACKAGE ELEC. START

W0002A06

Figure A-8 K6500 Wiring Diagram



W0002A04

W0002A04

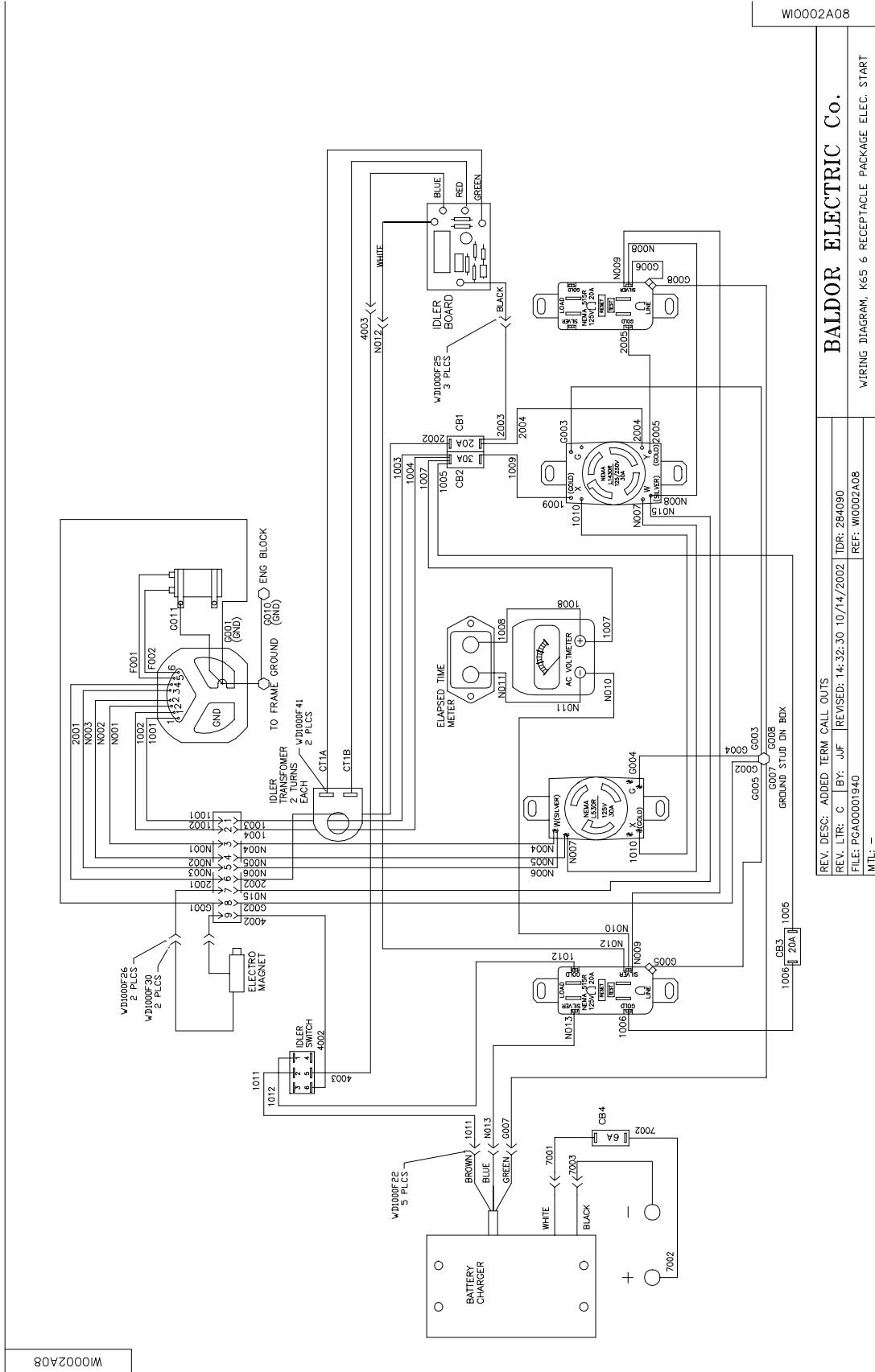
BALDOR ELECTRIC Co.

WIRING DIAGRAM, K65 6 RECEPTACLE PACKAGE

REV. DESC: ADDED TERM CALL OUTS
REV. LTR: C BY: J-F REVISED: 14-27-39 10/14/2002 TOR: 284090
FILE: FGA00001882 REF: W0002A04
MPL: -

REV. DESC: ADDED TERM CALL OUTS
REV. LTR: C BY: J-F REVISED: 14-27-39 10/14/2002 TOR: 284090
FILE: FGA00001882 REF: W0002A04
MPL: -

Figure A-9 K6500E Wiring Diagram



W0002A08

BALDOR ELECTRIC Co.

REV. DESC: ADDED TERM CALL OUTS
REV. LTR: C BY: JF REVISED: 14:32:30 10/14/2002 TDR: 284090
FILE: PGA00001940 REF: W0002A08
MTL: -

WIRING DIAGRAM, K65 6 RECEPTACLE PACKAGE ELEC. START

W0002A08

Appendix B

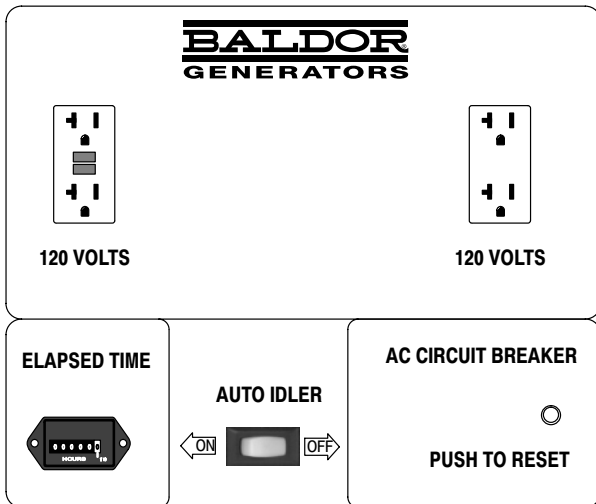
Premier R Series

Information in this Appendix applies to the following Baldor Generators:
R30, R45, R45E, R60, R60E

Caution: The brass connecting tab on some 120VAC duplex receptacles have been removed. Each receptacle is powered by a separate generator winding. When replacing a receptacle, inspect the brass tab that normally links both receptacles. If it is removed, be sure to remove the brass tab from the replacement receptacle before it is installed. Failure to remove the tab will cause a direct short to the generator windings and cause possible generator damage.

Operator Panel Configuration

Figure B-1 R30 Operator Panel



NEMA 5-15R GFCI Receptacle.

This ground fault circuit interrupter duplex receptacle is rated at 125VAC, 15 Amps.

Standard Duplex Receptacle. Standard household receptacle rated for 125VAC, 30 Amps.

When using this receptacle, ground fault protection is provided by the GFCI receptacle.

Hour Meter.

Displays the total run time hours of the generator set.

Auto Idler Switch.

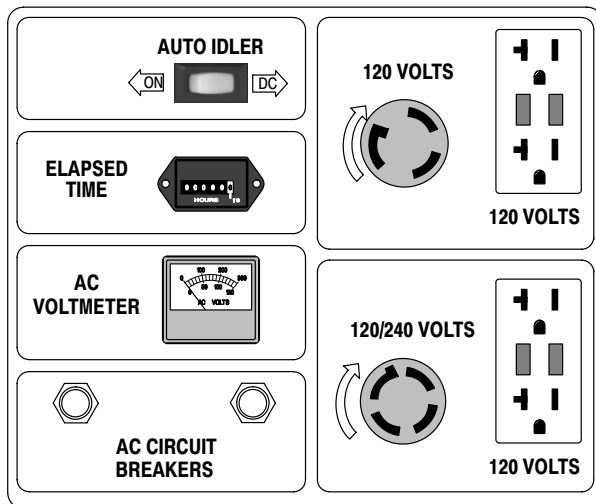
ON - Auto idler is active, engine RPM will reduce when load is removed.

OFF - Engine runs at fixed speed (set by governor).

Circuit Breaker.

Provide overload protection for the generator set.

Figure B-2 R45/R45E/R60/R60E Operator Panel



Auto Idler Switch.

ON - Auto idler is active, engine RPM will reduce when load is removed.

OFF - Engine runs at fixed speed (set by governor).

Elapsed Time.

Displays the total run time hours of the generator set.

AC Voltmeter.

This voltmeter displays the voltage level being produced by the generator set.

AC Circuit Breakers.

Provide overload protection for the generator set.

120 Volts NEMA 5-15R GFCI Receptacle.

This ground fault circuit interrupter duplex receptacle is rated at 125VAC, 15 Amps.

120 Volts NEMA L5-30R Receptacle.

Twist-lock style receptacle rated for 125VAC, 30 Amps.

120/240 Volts NEMA L14-30R Receptacle.

Twist-lock style receptacle rated for 125/250VAC, 30 Amps.

Replacement Parts

Replacement parts assembly views for the Generator set are shown in Figure B-3 and B-4. Parts information is provided in Table B-1. Parts information for the engine is provided in the engine manual that was provided with your generator set. Please refer to the engine manual for replacement parts information.

Figure B-3 Alternator Assembly

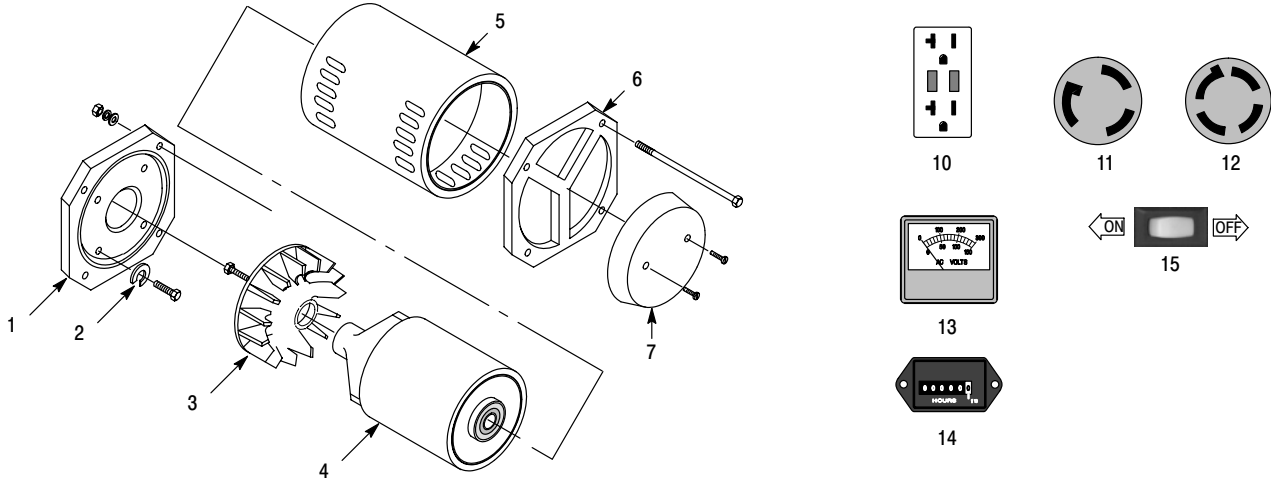


Figure B-4 Frame Assembly

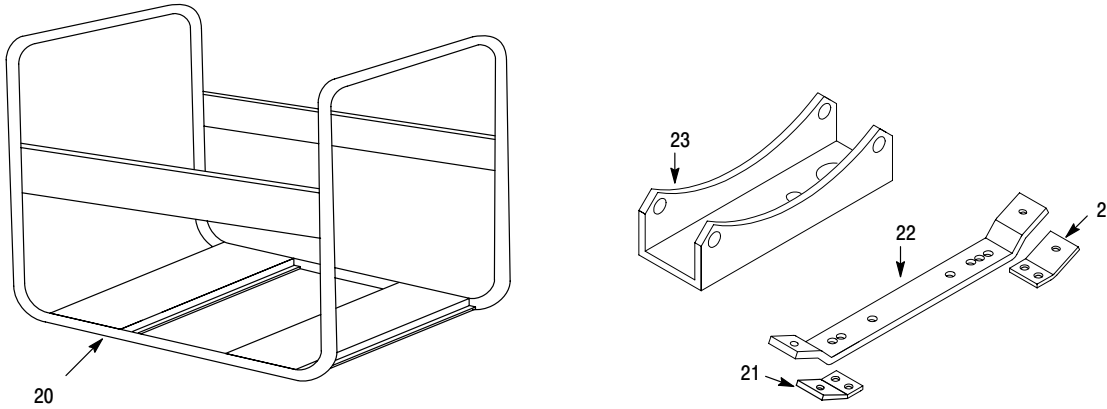


Table B-1 Generator Set Parts List

Ref No.	Part No.	Description	R30	R45	R45E	R60	R60E
Not Shown	EH0315A00	Control Box (Operator Panel)	X				
Not Shown	EH0342A00	Control Panel Cover (Operator Panel)	X				
Not Shown	EH0317A00	Control Box (Operator Panel)		X	X	X	X
Not Shown	EH0341A00	Control Panel Cover (Operator Panel)		X	X	X	X
1	HA9139A00	Adaptor	X				
1	HA9139A01	Adaptor		X	X	X	X
2	HA1037A00	"C" Washer	X	X	X	X	X
3	61FN3000	Fan	X	X	X	X	X
4	61RA0011A00	Rotor Assembly (includes bearing)	X				
4	61RA0013A00	Rotor Assembly (includes bearing)		X	X		
4	61RA0015A00	Rotor Assembly (includes bearing)				X	X
5	61SA0019A00	Stator Assembly *	X				
5	61SA0020A00	Stator Assembly *		X	X		
5	61SA0021A00	Stator Assembly *				X	X
6	61EP3204A06	Bearing Bracket (bearing included with rotor)	X				
6	61EP3204A01	Bearing Bracket (bearing included with rotor)		X	X	X	X

Table B-1 Generator Set Parts List Continued

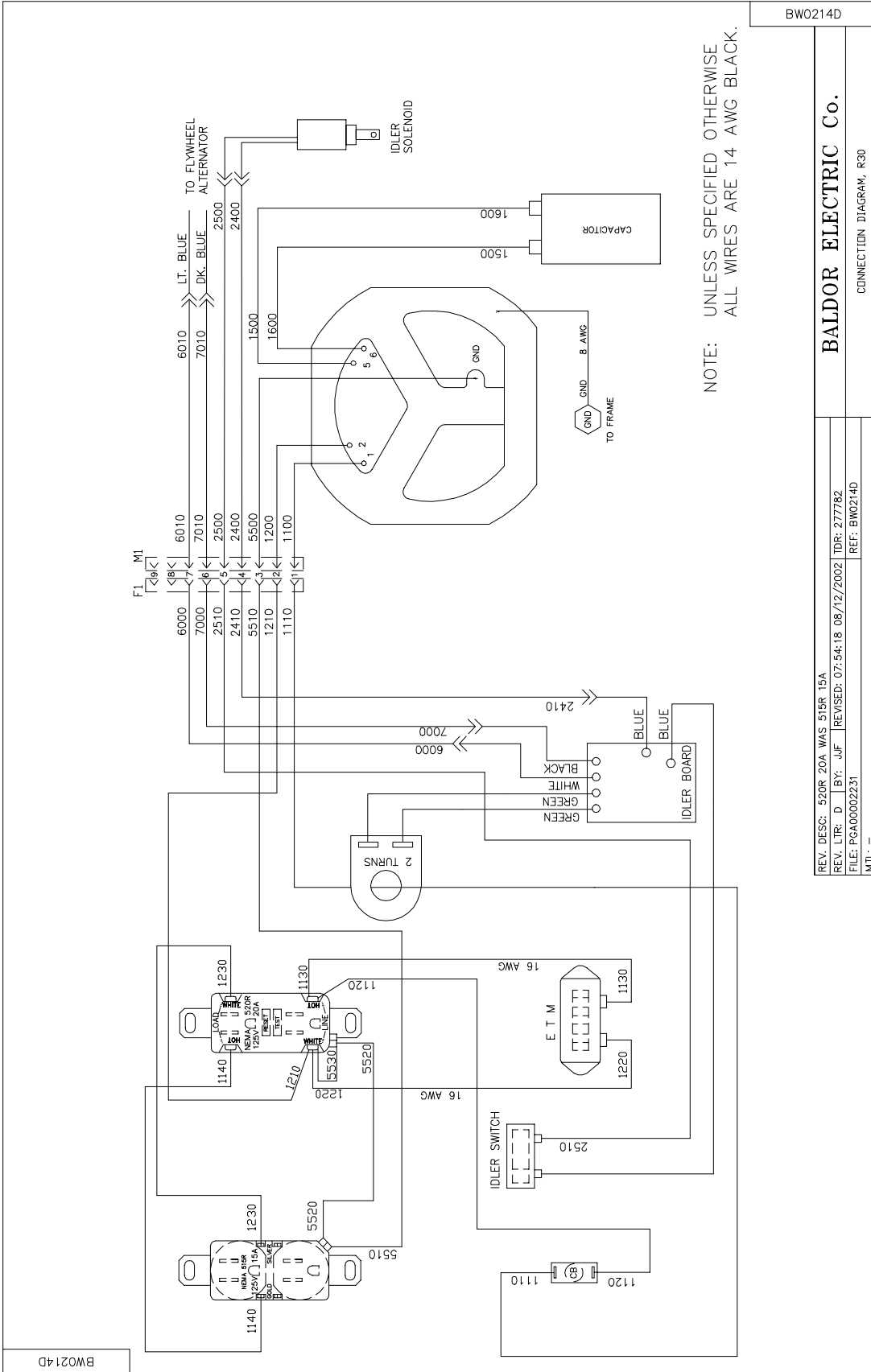
Ref No.	Part No.	Description	R30	R45	R45E	R60	R60E
Not Shown	BG6204H03	Bearing (included with rotor)	X	X	X	X	X
7	EH0322A00	Cover	X	X	X	X	X
10	WD1541A18	Duplex Receptacle, 250VAC at 20 Amps, CRO20	X				
10	WD1541A33	GFCI Duplex Receptacle, 125VAC at 20 Amps, NEMA 5-20R	X	X	X	X	X
11	WD1541A10	Receptacle, 125VAC at 30 Amps, NEMA L5-30R		X	X	X	X
12	WD1541A14	Receptacle, 125/250VAC at 30 Amps, NEMA L14-30R		X	X	X	X
13	WD3201A02	AC Voltmeter (Dual Scale)		X	X	X	X
14	WD3201A00	Hour Meter	X	X	X	X	X
15	SP9080	Idler Switch, 2 position rocker	X	X	X	X	X
Not Shown	CT0046A00	Idler Transformer	X	X	X	X	X
Not Shown	EB1245A00	Idler Module	X	X	X	X	X
Not Shown	DI0176A01	Diode	X	X	X	X	X
Not Shown	RR0244A00	Varistor		X	X	X	X
Not Shown	OC6030F11	Capacitor, 30MFD / 370V, 90 degree		X	X	X	X
Not Shown	OC3020F12	Capacitor, 20MFD / 370V	X				
Not Shown	CK0070A02	Circuit Breaker 20Amp		X	X		
Not Shown	CK0070A03	Circuit Breaker 30Amp	X				
Not Shown	CK0070A04	Circuit Breaker 40Amp		X	X		
Not Shown	CK0070A05	Circuit Breaker 50Amp				X	X
Not Shown	CK0070A06	Circuit Breaker 25Amp				X	X
20	BA0187A00L2B	Base Frame	X				
20	BA0207A00L2B	Base Frame		X		X	
20	BA0208A00L2B	Base Frame			X		X
21	HB7025A00	Engine Mounting Foot		X	X	X	X
22	HB7002A08L	Engine end frame cross member		X	X	X	X
23	HB6150A00L2B	Alternator end frame cross member	X				
23	HB6150A01	Alternator end frame cross member		X	X	X	X
Not Shown	HB6116A00	Battery Tie Down			X		X
Not Shown	HA3187A12	Battery Tie Down Bolt			X		X
Not Shown	HB6134A02	Battery Rack			X		X
Not Shown	LB0094A02	Decal, Engine Choke	X	X	X	X	X
Not Shown	LB0094A34	Decal, R40 & R60		X	X	X	X
Not Shown	LB0094A35	Decal, Warning	X	X	X	X	X
Not Shown	LB0094A53	Decal, R30	X				
Not Shown	LB9606A04	Decal, Baldor Logo, 5.65"	X				
Not Shown	LB9615A00	Decal, R30	X				
Not Shown	LB9625A00	Decal, R45		X			
Not Shown	LB9638A00	Decal, R45E			X		
Not Shown	LB9617A00	Decal, R60				X	
Not Shown	LB9619A00	Decal, R60E					X

* For generators made before 6/95, consult factory.

Wiring Diagrams

Wiring diagrams for each of these generators are contained on the following pages of this appendix.

Figure B-5 R30 Wiring Diagram



BW0214D

NOTE: UNLESS SPECIFIED OTHERWISE
ALL WIRES ARE 14 AWG BLACK.

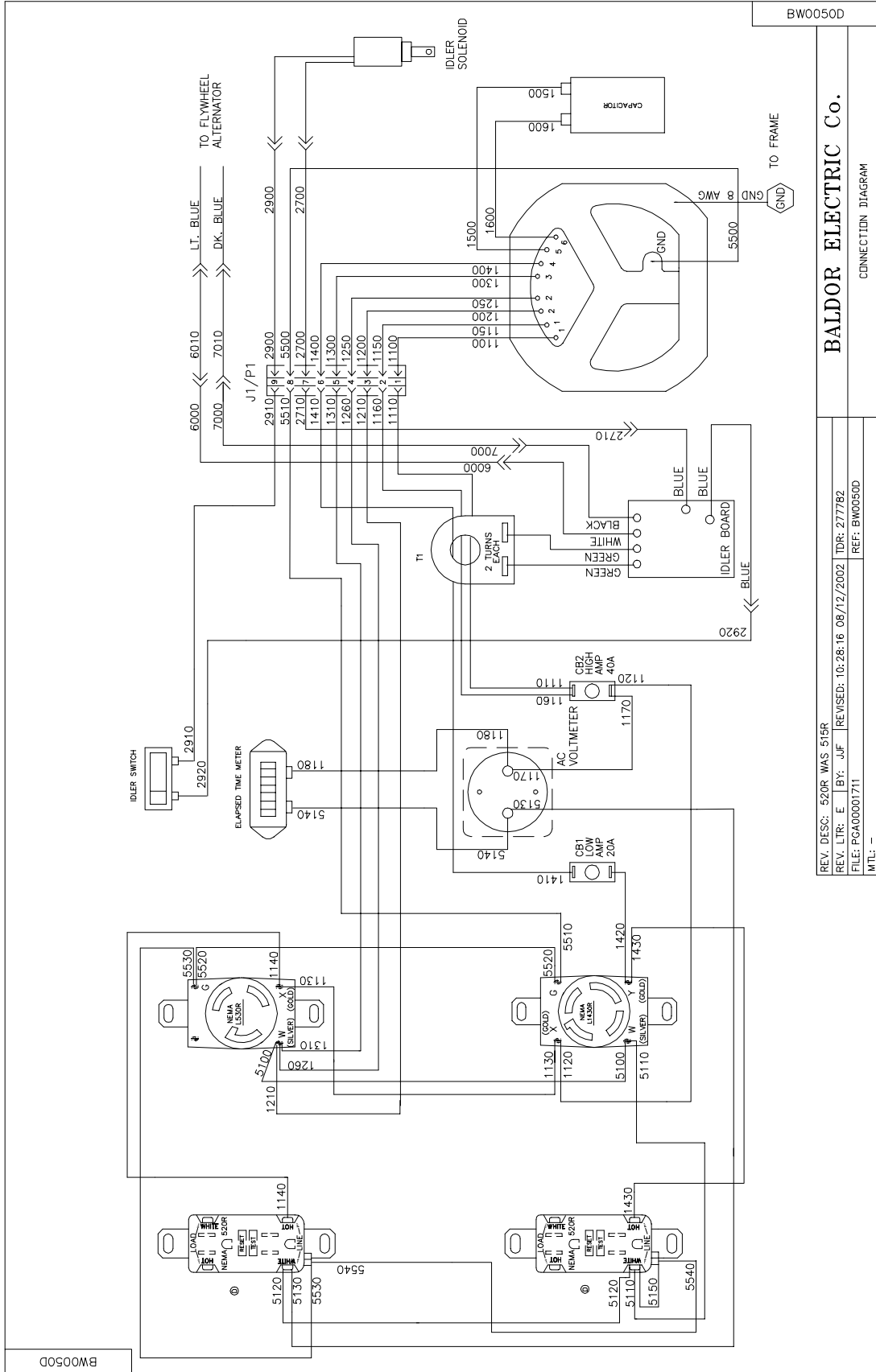
BALDOR ELECTRIC Co.

CONNECTION DIAGRAM, R30

REV. DESC: 520R 20A WAS 515R 15A
 REV. LTR: D BY: JF REVISED: 07:54:18 08/12/2002 TDR: 277782
 FILE: P6A0002231 REF: BW0214D
 MTL: -

BW0214D

Figure B-6 R45/45E Wiring Diagram



BW0050D

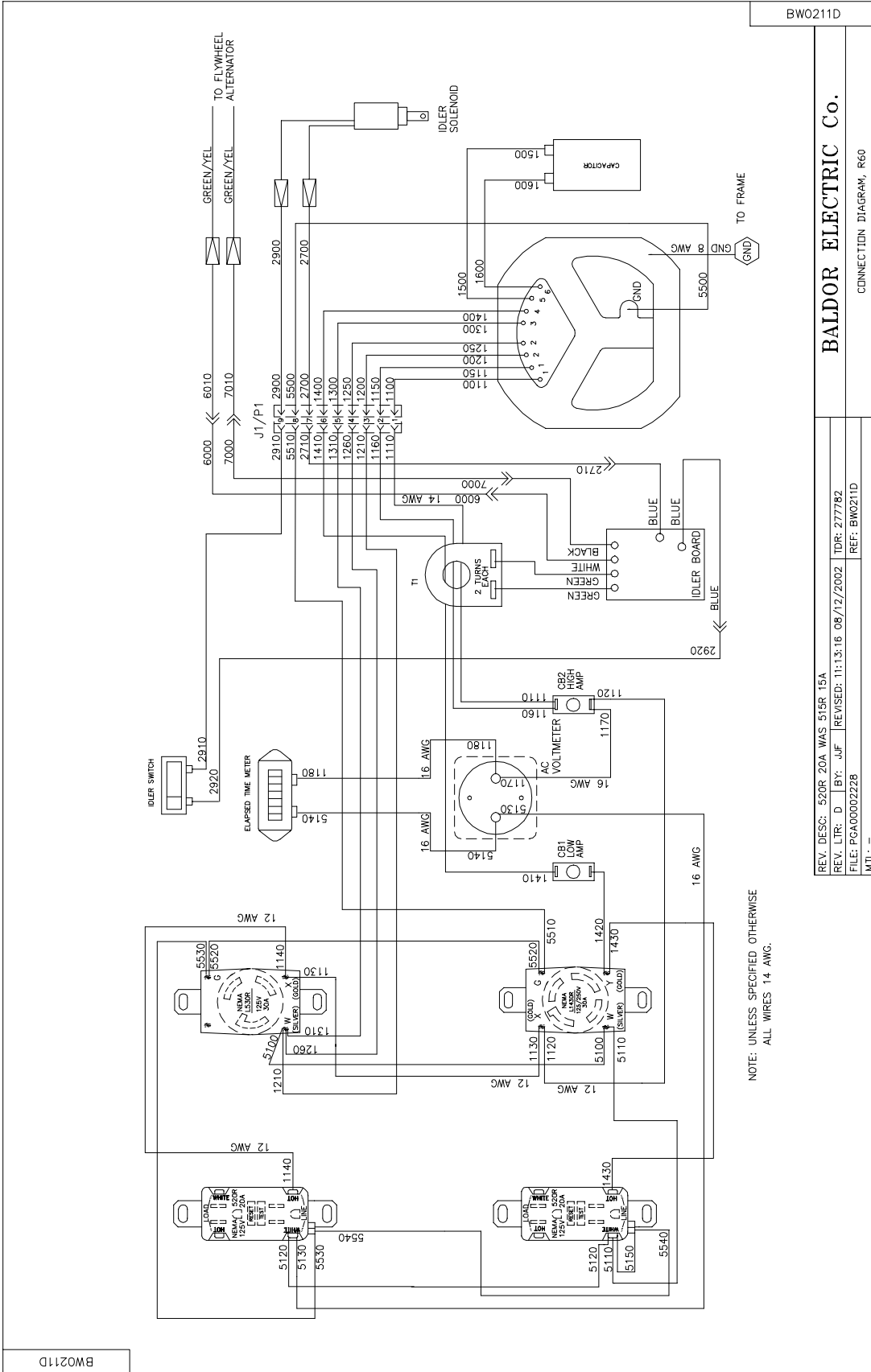
BALDOR ELECTRIC Co.

CONNECTION DIAGRAM

REV. DESC: 520R WAS 515R
 REV. LTR: E BY: J-JF REVISED: 10-28-16 08/12/2002 TDR: 277782
 FILE: PCA0000711 REF: BW0050D
 MTL: --

BW0050D

Figure B-7 R60 Wiring Diagram



NOTE: UNLESS SPECIFIED OTHERWISE
ALL WIRES 14 AWG.

BW0211D

BALDOR ELECTRIC Co.

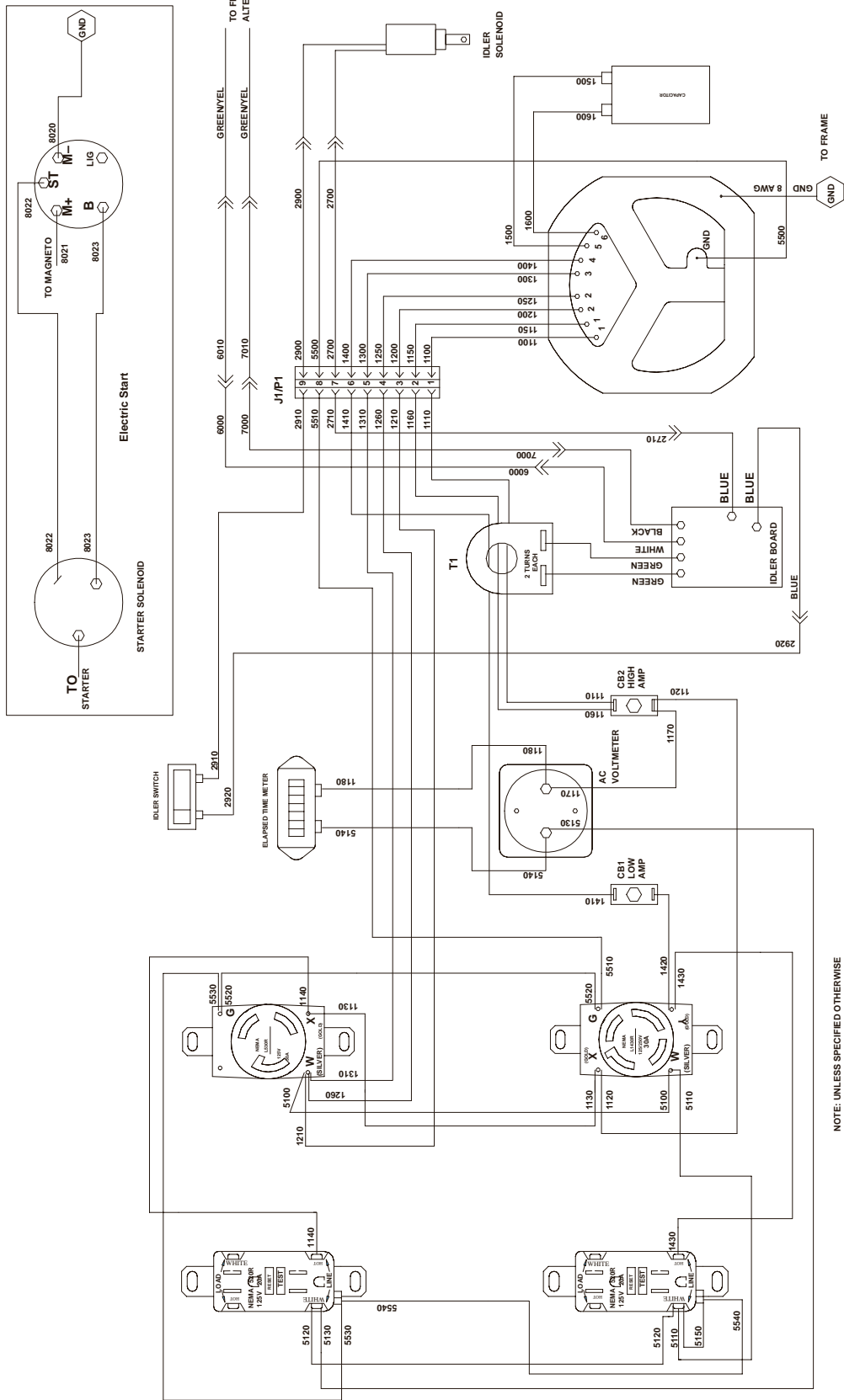
REV. DESC: 520R 20A WAS 515R 15A
REV. LTR: D | BY: JUF | REVISED: 11/13/16 08/12/2002 | DR: 277782
FILE: P6A0002228 | REF: BW0211D

CONNECTION DIAGRAM, R60

MTL: -

BW0211D

Figure B-8 R60E Wiring Diagram



NOTE: UNLESS SPECIFIED OTHERWISE
ALL WIRES 14 AWG.

Appendix C

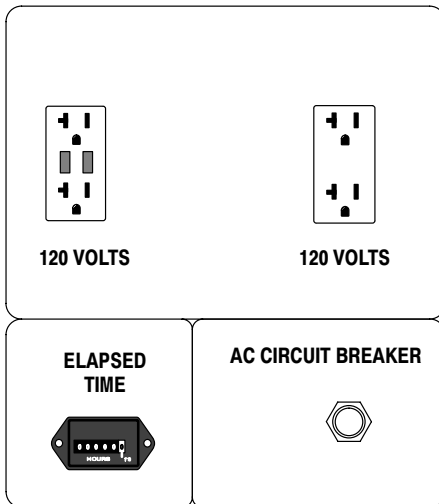
Premier OHV Series

Information in this Appendix applies to the following Baldor Generators:
OHV30, OHV50, OHV60, OHV60E, OHV85E

Caution: The brass connecting tab on some 120VAC duplex receptacles have been removed. Each receptacle is powered by a separate generator winding. When replacing a receptacle, inspect the brass tab that normally links both receptacles. If it is removed, be sure to remove the brass tab from the replacement receptacle before it is installed. Failure to remove the tab will cause a direct short to the generator windings and cause possible generator damage.

Operator Panel Configuration

Figure C-1 OHV30 Operator Panel



NEMA 5-20R GFCI Receptacle.

This ground fault circuit interrupter duplex receptacle is rated at 125VAC, 20 Amps.

Standard Duplex Receptacle. Standard household receptacle rated for 125VAC, 30 Amp
 When using this receptacle, ground fault protection is provided by the GFCI receptacle.

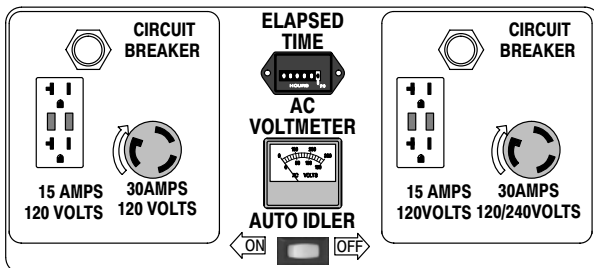
Hour Meter.

Displays the total run time hours of the generator set.

Circuit Breaker.

Provide overload protection for the generator set.

Figure C-2 OHV40/OHV50/OHV60/OHV60E Operator Panel



Circuit Breaker.

Provide overload protection for the generator set.

120 Volts NEMA 5-20R GFCI Receptacle.

This ground fault circuit interrupter duplex receptacle is rated at 125VAC, 20 Amps.

120 Volts NEMA L5-30R Receptacle.

Twist-lock style receptacle rated for 125VAC, 30 Amps.

120/240 Volts NEMA L14-30R Receptacle.

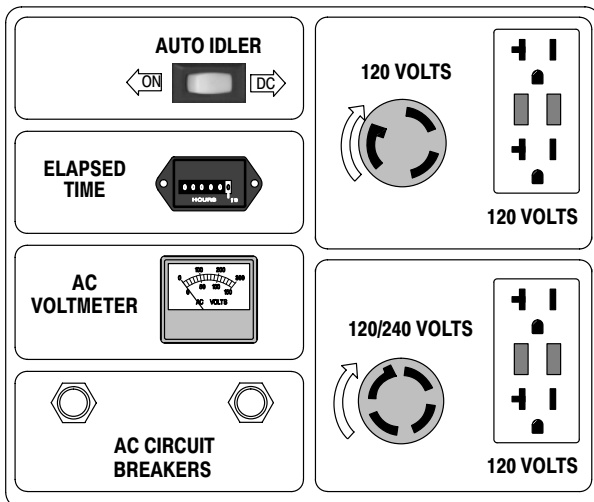
Twist-lock style receptacle rated for 125/250VAC, 30 Amps.

AC Voltmeter. This voltmeter displays the voltage level being produced by the generator set.

Elapsed Time. Displays the total run time hours of the generator set.

Auto Idler Switch. ON - Auto idler is active, engine RPM will reduce when load is removed. OFF - Engine runs at fixed speed (set by governor).

Figure C-3 OHV85E Operator Panel



Auto Idler Switch.

ON - Auto idler is active, engine RPM will reduce when load is removed.

OFF - Engine runs at fixed speed (set by governor).

DC ON - Auto Idler is Off and DC output terminals have power for 12V loads.

Elapsed Time.

Displays the total run time hours of the generator set.

AC Voltmeter.

This voltmeter displays the voltage level being produced by the generator set.

AC Circuit Breakers.

Provide overload protection for the generator set.

120 Volts NEMA 5-20R GFCI Receptacle.

This ground fault circuit interrupter duplex receptacle is rated at 125VAC, 15 Amps.

120 Volts NEMA L5-30R Receptacle.

Twist-lock style receptacle rated for 125VAC, 30 Amps.

120/240 Volts NEMA L14-30R Receptacle.

Twist-lock style receptacle rated for 125/250VAC, 30 Amps.

Replacement Parts

Replacement parts assembly views for the Generator set are shown in Figure C-4 and C-5. Parts information is provided in Table C-1. Parts information for the engine is provided in the engine manual that was provided with your generator set. Please refer to the engine manual for replacement parts information.

Figure C-4 Alternator Assembly

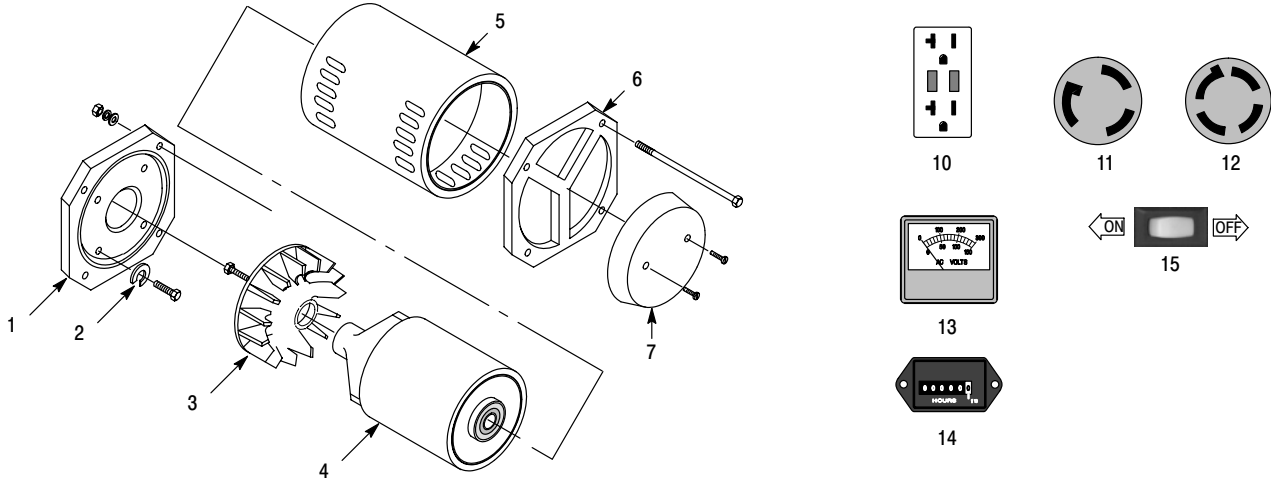


Figure C-5 Frame Assembly

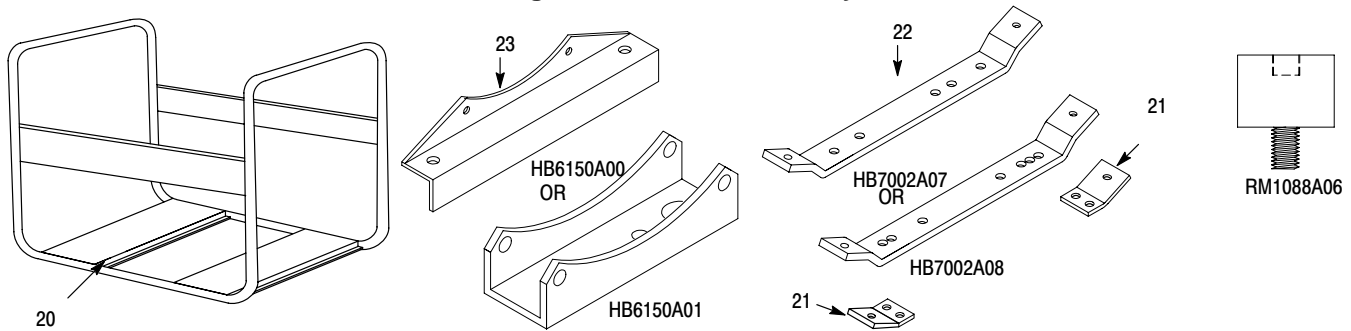


Table C-1 Generator Set Parts List

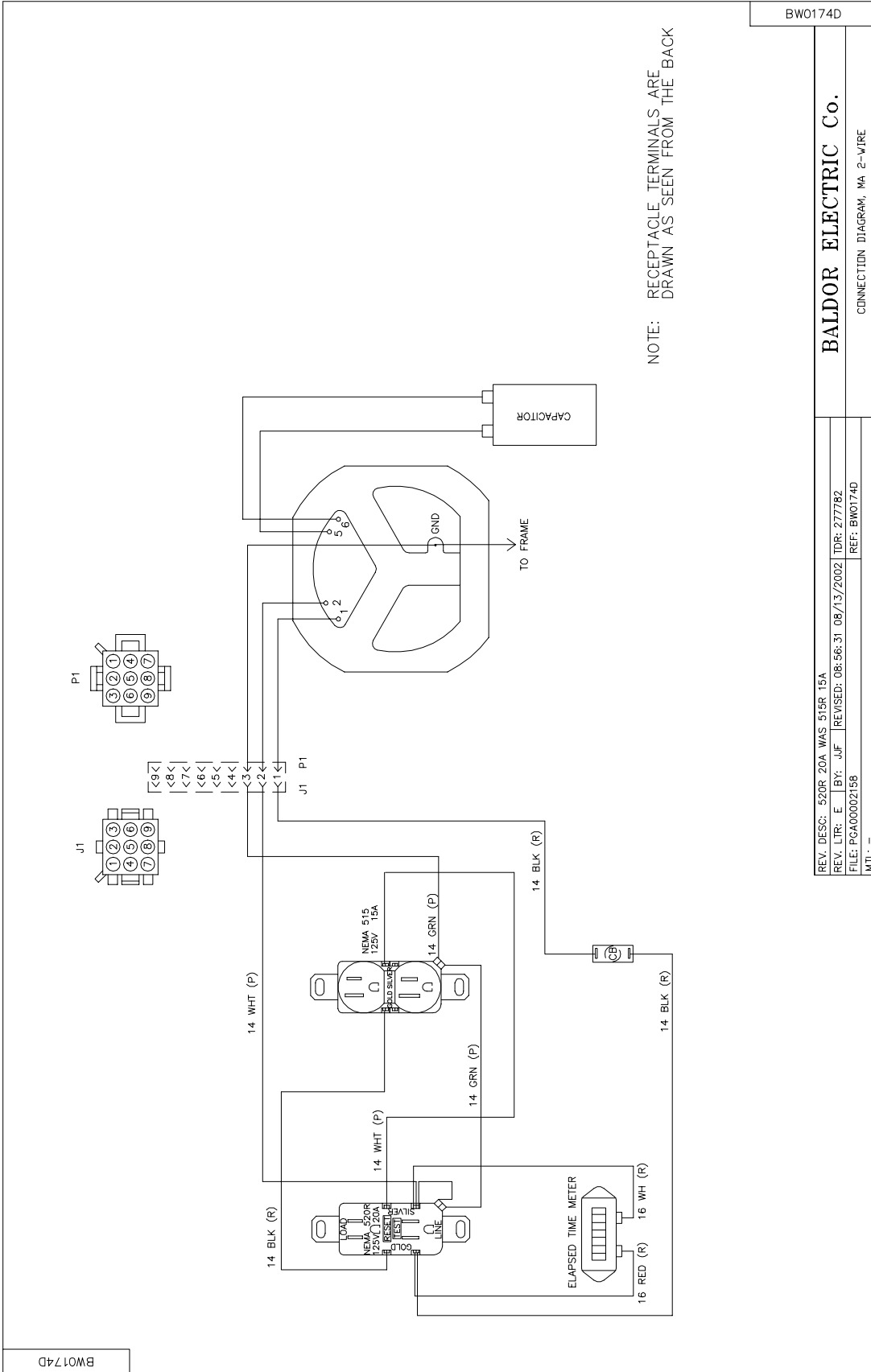
Ref No.	Part No.	Description	OHV30	OHV40/50/ 60/60E	OHV85E
1	HA9139A00	Adaptor	X		
1	HA9139A01	Adaptor		X	X
2	HA1037A00	"C" Washer	X	X	X
3	61FN3000	Fan	X	X	X
4	61RA0011A00	Rotor Assembly (includes bearing)	X		
4	61RA0013A00	Rotor Assembly (includes bearing) (OHV40/50)		X	
4	61RA0015A00	Rotor Assembly (includes bearing) (OHV60/60E)		X	
4	61RA0016A00	Rotor Assembly (includes bearing) (OHV85E)			X
Not Shown	BG6204H03	Bearing (included with rotor)	X	X	X
5	61SA0019A01	Stator Assembly	X		
5	61SA0010A02	Stator Assembly (OHV40/50)		X	
5	61SA0013A00	Stator Assembly (OHV60)		X	
5	61SA0022A02	Stator Assembly			X
6	61EP3204A01	Bearing Bracket (bearing included with rotor)	X	X	X
7	EH0322A00	Cover	X		X
7	EH0321A00	Cover		X	
10	WD1541A33	GFCI Duplex Receptacle, 250VAC at 20 Amps, NEMA 5-20R	X	X	X
Not Shown	WD1541A18	Duplex Receptacle, 250VAC at 20 Amps, CRO20	X		
11	WD1541A10	Receptacle, 125VAC at 30 Amps, NEMA L5-30R		X	X

Table C-1 Generator Set Parts List Continued

Ref No.	Part No.	Description	OHV30	OHV40/50/ 60/60E	OHV85E
12	WD1541A14	Receptacle, 125/250VAC at 30 Amps, NEMA L14-30R		X	X
12	WD1541A15	Receptacle, 125/250VAC at 20 Amps, NEMA L14-20R (units before 8/99)		X	
13	WD3201A02	AV Voltmeter (Dual Scale)		X	X
14	WD3201A00	Hour Meter	X	X	X
Not Shown	EH0315A00	Control Panel Box, Empty (Operator Panel)	X		
Not Shown	EH0300A00	Control Panel Box, Empty (Operator Panel)		X	
Not Shown	EH0317A00	Control Panel Box, Empty (Operator Panel)			X
Not Shown	EH0331A00	Control Panel Cover (Operator Panel)	X		
Not Shown	EH0333A00	Control Panel Cover (Operator Panel)			X
Not Shown	EH0338A00	Control Panel Cover (Operator Panel)		X	
15	SP9080	Idle Switch, 2 position rocker		X	X
Not Shown	HB6136A00	Idle Throttle Lever		X	
Not Shown	HB6138A00Z	Idle Throttle Lever			X
Not Shown	EB1242A00	Idle Module		X	X
Not Shown	CT0046A00	Idle Transformer		X	X
Not Shown	EA0002A00	Idle Magnet		X	X
Not Shown	DI0176A01	Diode	X	X	X
Not Shown	RR0244A00	Varistor		X	X
Not Shown	OC3020F12	Capacitor, OIL 20MFD / 370V	X		
Not Shown	OC6030F11	Capacitor, OIL 30MFD / 370V, 90deg		X	X
Not Shown	CK0070A01	Circuit Breaker, 15A		X	
Not Shown	CK0070A02	Circuit Breaker, 20A		X	
Not Shown	CK0070A03	Circuit Breaker, 30A	X	X	
Not Shown	CK0070A04	Circuit Breaker, 40A		X	X
Not Shown	CK0070A05	Circuit Breaker, 50A		X	
Not Shown	CK0070A06	Circuit Breaker, 25A		X	
Not Shown	TA0000A01	Fuel Tank			X
Not Shown	TA0000A02	Fuel Tank	X		
Not Shown	TA0000A03	Fuel Tank		X	
Not Shown	TA0002A02	Fuel Cap with Gauge	X		X
Not Shown	TA0002A04	Fuel Cap with Gauge		X	
Not Shown	EA0011A00	Fuel Filter, in-line	X	X	X
20	BA0187A01L2B	Base Frame			X
20	BA0187A02L2B	Base Frame	X		
20	BA0188A00L2B	Base Frame		X	
21	HB7025A00	Engine Mounting Foot		X	
21	HB7025A00Z	Engine Mounting Foot			X
22	HB7002A07	Engine end frame cross member		X	
22	HB7002A08L	Engine end frame cross member			X
23	HB6150A00L2B	Alternator end frame cross member	X		
23	HB6150A01	Alternator end frame cross member		X	X
Not Shown	RM1088A06	Vibration Isolator, Generator end		X	X
Not Shown	RM1088A07	Vibration Isolator, Engine end		X	X
Not Shown	LB9606A04	Decal, Baldor Logo, 5.65"	X	X	X
Not Shown	LB9606A02	Decal, Baldor Logo, 6.35"	X	X	
Not Shown	LB9606A05	Decal, Baldor Logo, 7.53"			X
Not Shown	LB9616A00	Decal, OHV30	X		
Not Shown	LB9626A00	Decal, OHV60		X	
Not Shown	LB9621A00	Decal, OHV60E		X	
Not Shown	LB9618A00	Decal, OHV85E (side)			X
Not Shown	LB0094A44	Decal, Conduit Box, ON-OFF		X	
Not Shown	LB0094A55	Decal, OHV4-6		X	
Not Shown	LB0094A07	Decal, Series MA (120V only)	X		
Not Shown	LB0094A12	Decal, Warning		X	
Not Shown	LB0094A35	Decal, Warning	X	X	
Not Shown	LB0094A05	Decal, OHV85E (panel)			X

Wiring Diagrams Wiring diagrams for these generators are contained on the following pages of this appendix.

Figure C-6 OHV30 Wiring Diagram



BW0174D

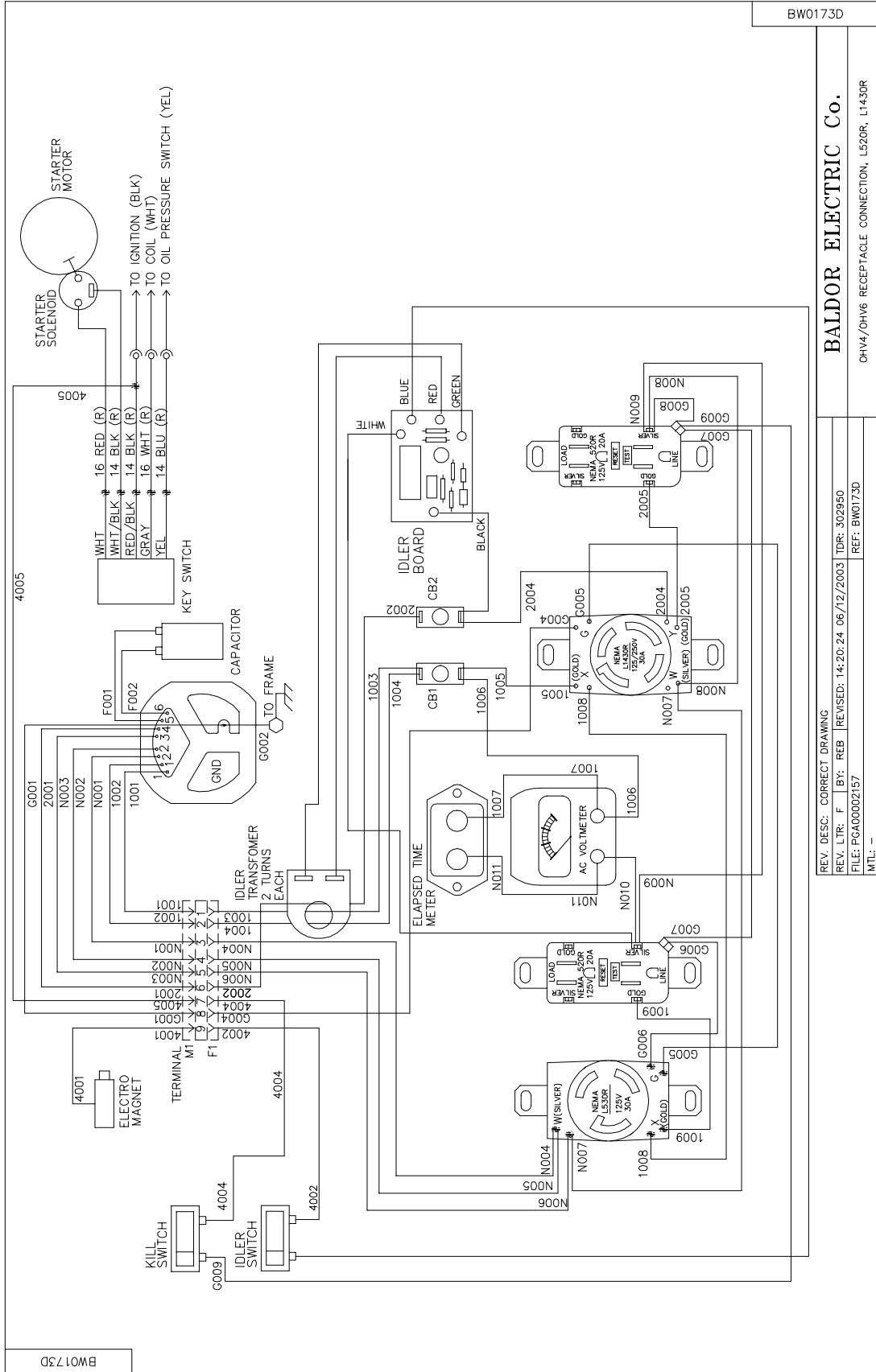
BALDOR ELECTRIC Co.

CONNECTION DIAGRAM, MA 2-WIRE

REV. DESC: 520R 20A WAS 515R 15A
 REV. LTR: E | BY: JUF | REVISED: 08/56/31 08/13/2002 | DTR: 277782
 FILE: P0A0002158 | REF: BW0174D
 MTL: -

BW0174D

Figure C-7 OHV40 / OHV50 / OHV60 Wiring Diagram



BW0173D

BALDOR ELECTRIC Co.

OHV4/OHV6 RECEPTACLE CONNECTION, L520R, L1430R

REV. DESC: CORRECT DRAWING

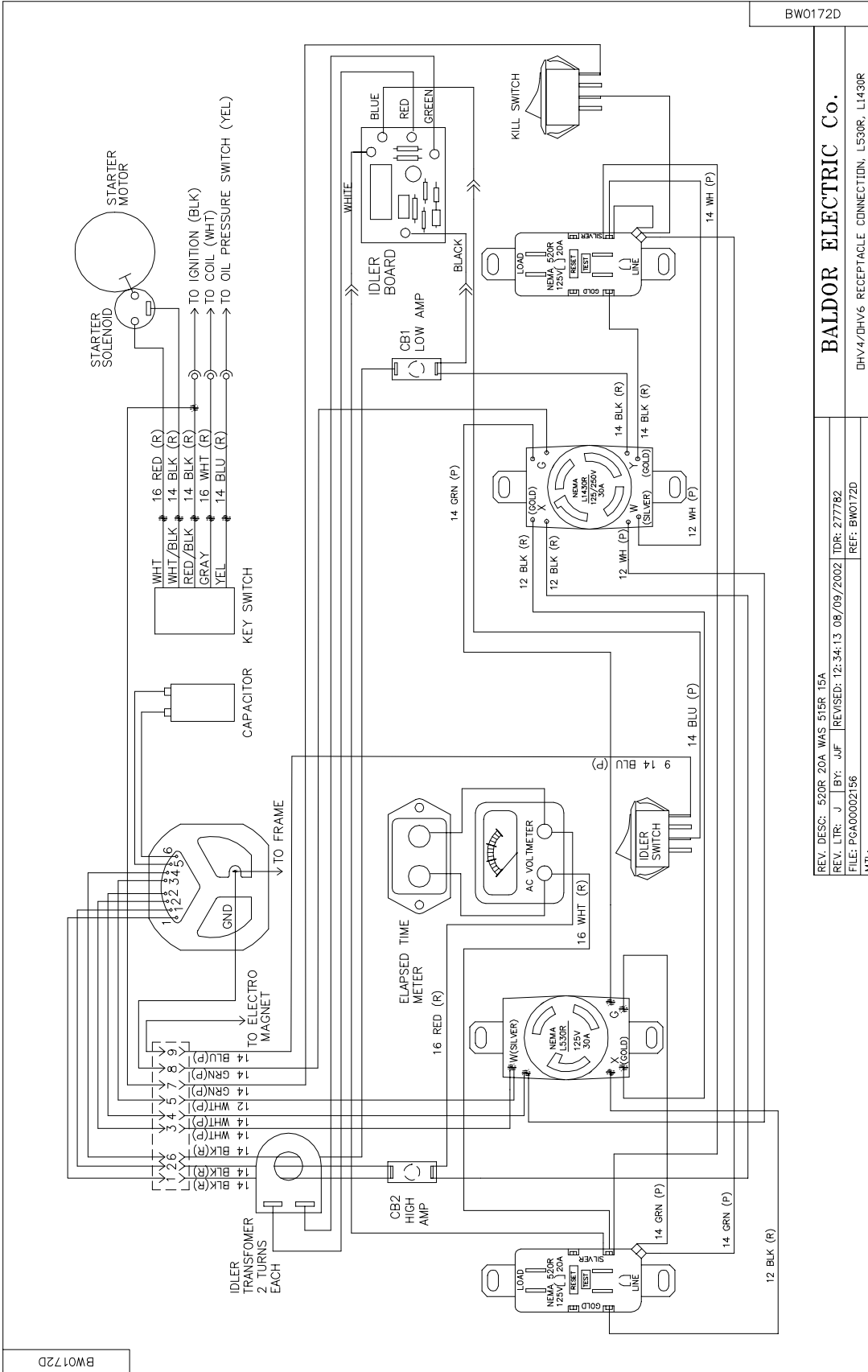
REV. LTR: F BY: REB REVISED: 14:20:24 06/12/2003 TDR: 302950

FILE: PQA00002157 REF: BW0173D

MTL: --

BW0173D

Figure C-8 OHV60E Wiring Diagram



BW0172D

BW0172D

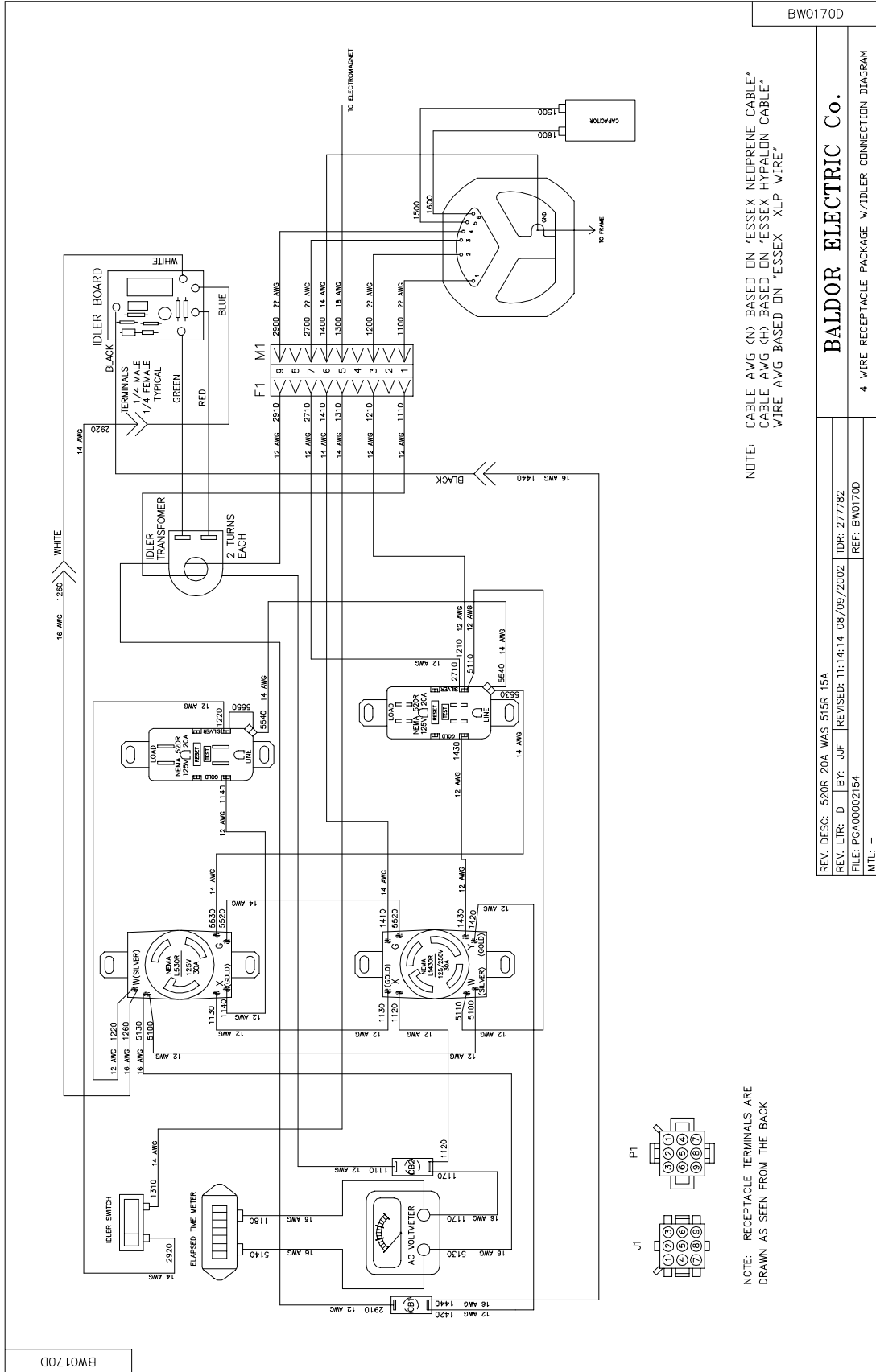
BALDOR ELECTRIC Co.

REV. DESC: 520R 20A WAS 515R 15A
 REV. LTR: J | BY: JUF | REVISED: 12-31-13 08/09/2002 | DTR: 277782
 FILE: P6A0002156 | REF: BW0172D

OHV4/OHV6 RECEPTACLE CONNECTION, L530R, L1430R

MTL: -

Figure C-9 OHV 85E Wiring Diagram



BW0170D

BALDOR ELECTRIC Co.

4 WIRE RECEPTACLE PACKAGE W/IDLER CONNECTION DIAGRAM

NOTE: CABLE AWG (N) BASED ON "ESSEX NEOPRENE CABLE"
CABLE AWG (H) BASED ON "ESSEX HYPALON CABLE"
WIRE AWG BASED ON "ESSEX XLP WIRE"

REV. DESC: 520R 20A WAS 515R 15A

REV. LTR: D BY: JF REVISED: 11:14:14 08/09/2002 TDR: 277782

FILE: PCA00002154 REF: BW0170D

MTL: --

BW0170D

Appendix D

Premier OHV100E Series

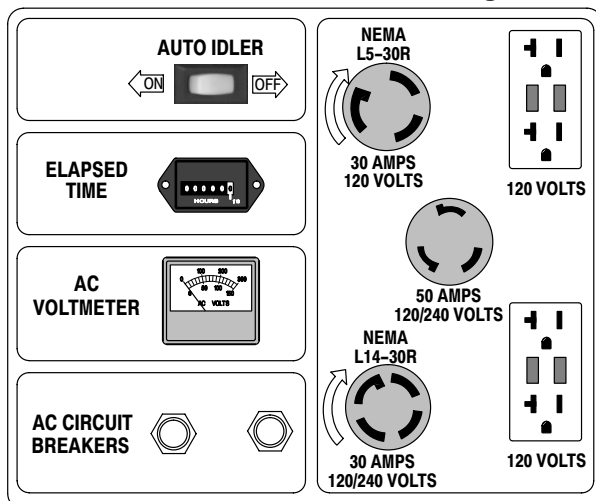
Information in this Appendix applies to the OHV100E Baldor Generator.

Caution: The brass connecting tab on some 120VAC duplex receptacles have been removed. Each receptacle is powered by a separate generator winding. When replacing a receptacle, inspect the brass tab that normally links both receptacles. If it is removed, be sure to remove the brass tab from the replacement receptacle before it is installed. Failure to remove the tab will cause a direct short to the generator windings and cause possible generator damage.



Operator Panel Configuration

Figure D-1 OHV100E Operator Panel



Auto Idler Switch.

ON - Auto idler is active, engine RPM will reduce when load is removed.
 OFF - Engine runs at fixed speed (set by governor).

Elapsed Time.

Displays the total run time hours of the generator set.

AC Voltmeter.

This voltmeter displays the voltage level being produced by the generator set.

AC Circuit Breakers.

Provide overload protection for the generator set.

120 Volts NEMA 5-20R GFCI Receptacle.

This ground fault circuit interrupter duplex receptacle is rated at 125VAC, 20 Amps.

30 AMPS 120 Volts NEMA L5-30R Receptacle.

Twist-lock style receptacle rated for 125VAC, 30 Amps.

30 AMPS 120/240 Volts NEMA L14-30R Receptacle.

Twist-lock style receptacle rated for 125/250VAC, 30 Amps.

50 AMPS 120/240 Volts CS6369 Receptacle.

Twist-lock style receptacle rated for 125/250VAC, 50 Amps.

Replacement Parts

Replacement parts assembly views for the Generator set are shown in Figure D-2 and D-3. Parts information is provided in Table D-1. Parts information for the engine is provided in the engine manual that was provided with your generator set. Please refer to the engine manual for replacement parts information.

Figure D-2 Alternator Assembly

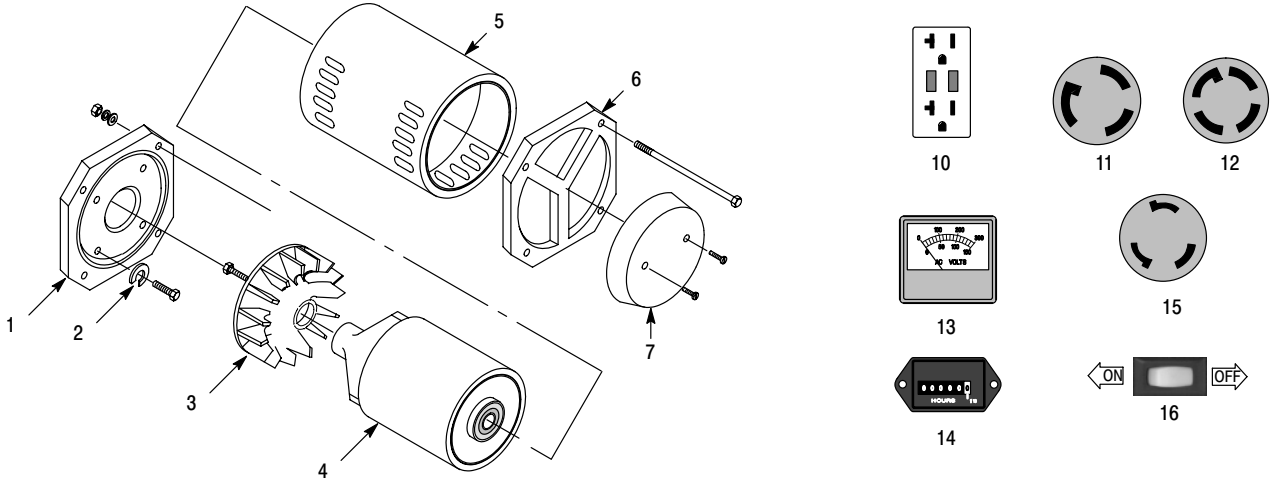


Figure D-3 Frame Assembly

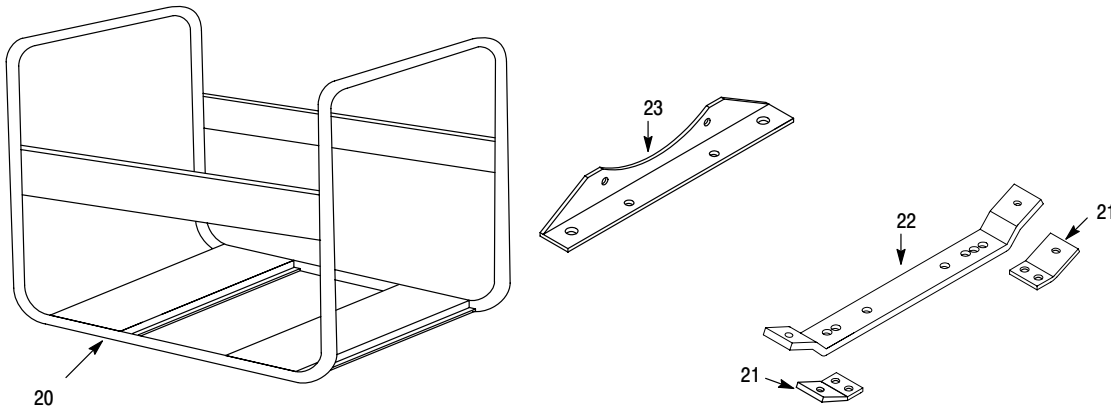
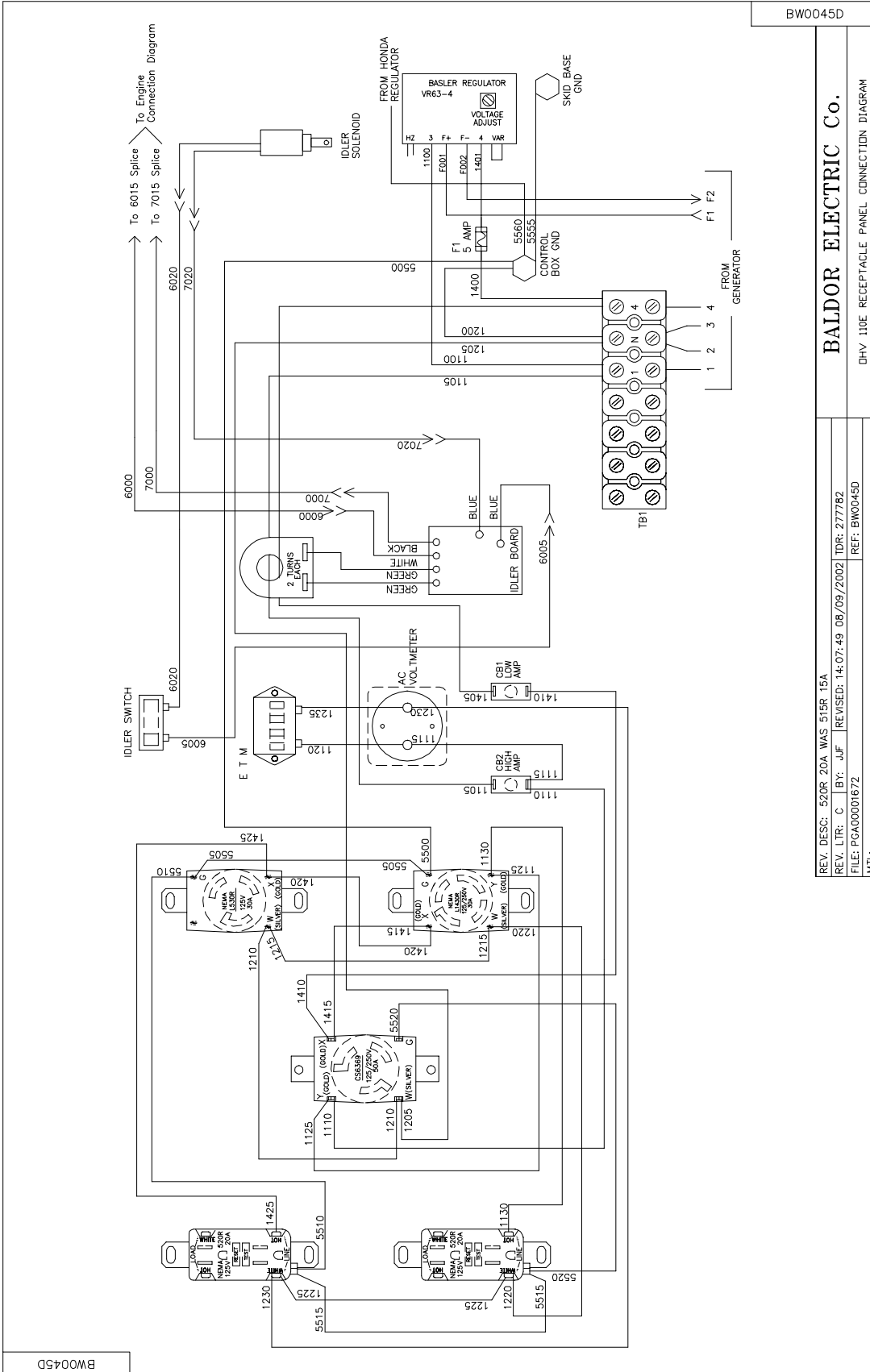


Table D-1 Generator Set Parts List

Ref No.	Part No.	Description
1	HB6177A01	Adaptor
2	HA3188A00	Bolt, Rotor Attaching
Not Shown	HB6155A00	O-Ring, Bearing Pocket in end rail
3	62FN4002	Fan
4	62RA0014A00	Rotor Assembly (includes bearing)
Not Shown	BG6207H03	Bearing (included with rotor)
5	62SA0006A00	Stator Assembly
6	62EP3202A01	Bearing Bracket (bearing included with rotor)
Not Shown	62EX5001A01	Exciter Field Assembly
Not Shown	HS5009A00	Heat Sinks, Rectifier
Not Shown	DI0177A00	Rectifier, 4 terminal bridge
7	EH0324A00	Cover
10	WD1541A33	GFCI Duplex Receptacle, 250VAC at 20 Amps, NEMA 5-20R
11	WD1541A10	Receptacle, 125VAC at 30 Amps, NEMA L5-30R
12	WD1541A14	Receptacle, 125/250VAC at 30 Amps, NEMA L14-30R
13	WD3201A02	AV Voltmeter (Dual Scale)
14	WD3201A00	Hour Meter
15	WD1541A28	Receptacle, 125/250VAC at 50 Amps, CS6369
Not Shown	EH0317A00	Side Control Panel Box
Not Shown	EH0334A00	Cover, Side Control Panel Box
Not Shown	EH0302A00	End Control Panel Box
Not Shown	EH0324A00	Cover, End Control Panel Box, louvered front
16	SP9080	Idler Switch, 2 position rocker
Not Shown	HB6137A00	Idler Throttle Lever
Not Shown	EB1242A00	Idler Module
Not Shown	CT0046A00	Idler Transformer
Not Shown	EA0002A00	Idler Magnet
Not Shown	CK0070A05	Circuit Breaker, 50A
Not Shown	EM0027A04	Voltage Regulator
Not Shown	FU0066A00	Fuse, Voltage Regulator
Not Shown	FU0064A00	Fuse Holder, Voltage Regulator
Not Shown	TA0000A01	Fuel Tank
Not Shown	TA0002A02	Fuel Cap with Gauge
Not Shown	EA0011A00	Fuel Filter, in-line
20	BA0197A00L2B	Base Frame
21	HB7025A00Z	Engine Mounting Foot
22	HB7002A08L	Engine end frame cross member
23	HB6068A00	Alternator end frame cross member
Not Shown	HB7025A00	Vibration Isolator, attach to base
Not Shown	RM1088A07	Vibration Isolator Mount
Not Shown	LB9606A04	Decal, Baldor Logo, 5.65"
Not Shown	LB9606A02	Decal, Baldor Logo, 6.35"
Not Shown	LB9606A05	Decal, Baldor Logo, 7.53"
Not Shown	LB0094A44	Decal, Conduit Box, ON-OFF
Not Shown	LB0094A12	Decal, Warning
Not Shown	LB0094A25	Decal, OHV100E, Panel
Not Shown	LB0094A35	Decal, Warning
Not Shown	LB9622A00	Decal, OHV100E, Side
Not Shown	HB6116A00	Battery Tie Down
Not Shown	HA3187A11	Battery Tie Down Bolt
Not Shown	HB6134A02	Battery Rack

Wiring Diagrams Wiring diagrams for the OHV100E generator are contained on the following pages of this appendix.

Figure D-4 OHV100E Wiring Diagram



BW0045D

BALDOR ELECTRIC Co.

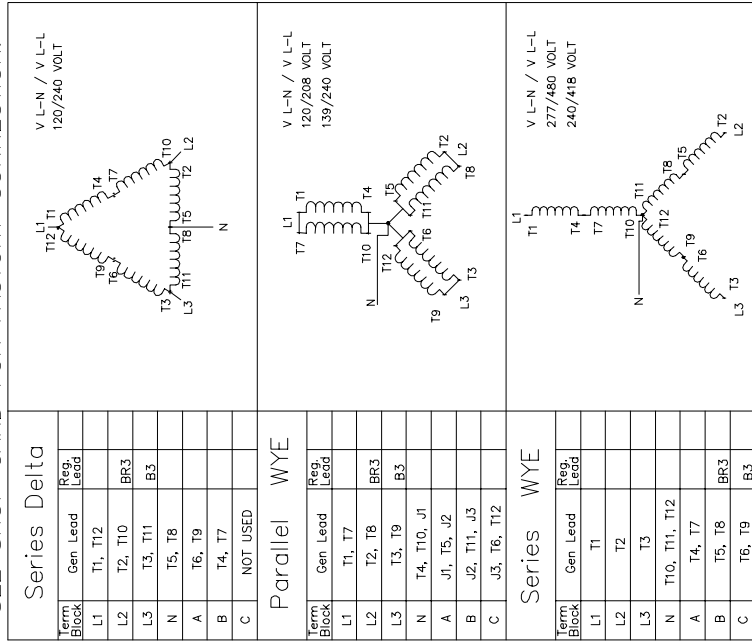
DHV 110E RECEPTACLE PANEL CONNECTION DIAGRAM

REV. DESC: 520R 20A WAS 515R 15A
 REV. LTR: C | BY: JUF | REVISED: 14:07:49 08/09/2002 | TOR: 277782
 FILE: PG000001672 | REF: BW0045D
 MTL: -

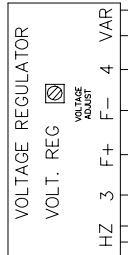
BW0045D

Figure D-5 OHV100E Generator Output Wiring Diagram

SEE SHOP CARD FOR FACTORY CONNECTION.

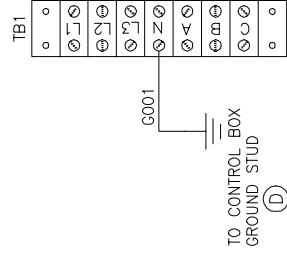
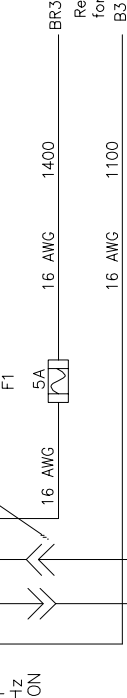


BW0033D



NOTE: CONNECT FOR 50HZ OPERATION

Use WJ1000F26 for Female and WJ1000F30 for Male

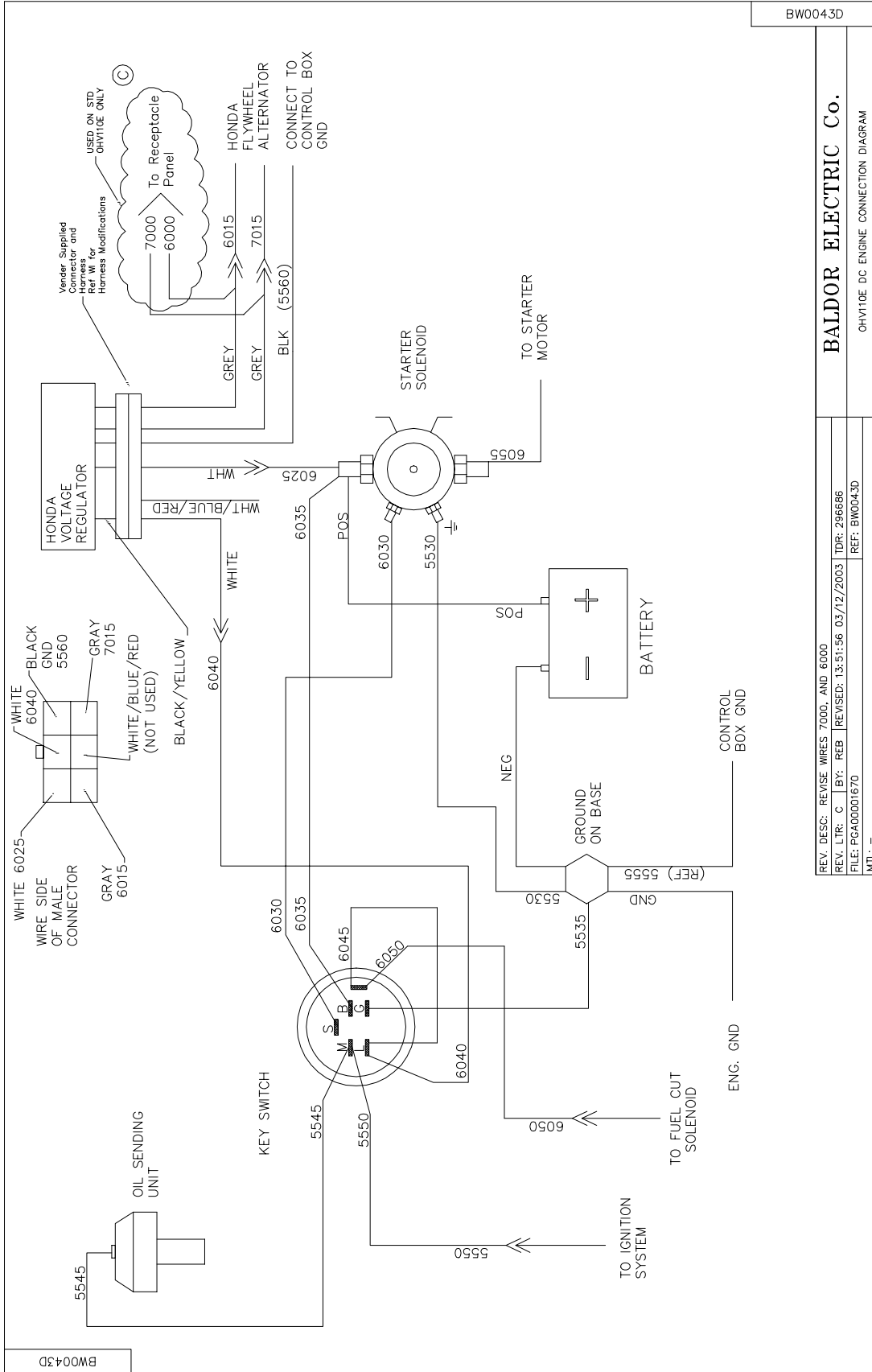


BW0033D

REV. DESC: REVISE PER AUDIT
 REV. LTR: D BY: REB REVISED: 13.01.40 08/13/2002 TDR: 278250
 FILE: PCA0001668 REF: BW0033D
 MTL: --

BALDOR ELECTRIC Co.
 CONNECTION DIAGRAM OHV100E-110E 3 PHASE

Figure D-6 OHV100E DC Wiring Diagram



BW0043D

BALDOR ELECTRIC Co.

OHV100E - DC ENGINE CONNECTION DIAGRAM

Appendix E

Premier OHV110E Series

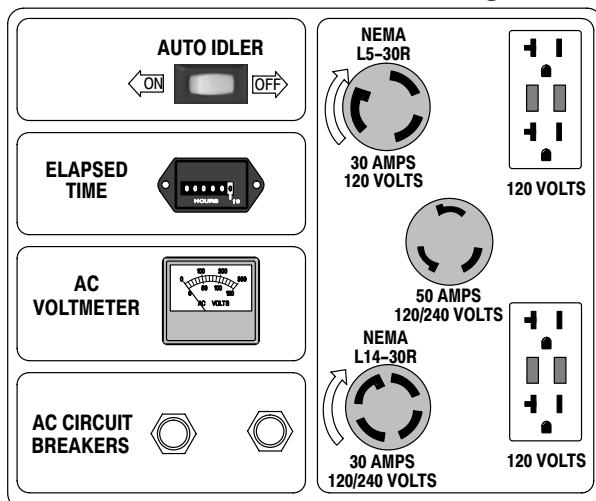
Information in this Appendix applies to the OHV110E Baldor Generator.

Caution: The brass connecting tab on some 120VAC duplex receptacles have been removed. Each receptacle is powered by a separate generator winding. When replacing a receptacle, inspect the brass tab that normally links both receptacles. If it is removed, be sure to remove the brass tab from the replacement receptacle before it is installed. Failure to remove the tab will cause a direct short to the generator windings and cause possible generator damage.



Operator Panel Configuration

Figure E-1 OHV110E Operator Panel



Auto Idler Switch.

ON - Auto idler is active, engine RPM will reduce when load is removed.
 OFF - Engine runs at fixed speed (set by governor).

Elapsed Time.

Displays the total run time hours of the generator set.

AC Voltmeter.

This voltmeter displays the voltage level being produced by the generator set.

AC Circuit Breakers.

Provide overload protection for the generator set.

120 Volts NEMA 5-20R GFCI Receptacle.

This ground fault circuit interrupter duplex receptacle is rated at 125VAC, 20 Amps.

30 AMPS 120 Volts NEMA L5-30R Receptacle.

Twist-lock style receptacle rated for 125VAC, 30 Amps.

30 AMPS 120/240 Volts NEMA L14-30R Receptacle.

Twist-lock style receptacle rated for 125/250VAC, 30 Amps.

50 AMPS 120/240 Volts CS6369 Receptacle.

Twist-lock style receptacle rated for 125/250VAC, 50 Amps.

Replacement Parts

Replacement parts assembly views for the Generator set are shown in Figure E-2 and E-3. Parts information is provided in Table E-1. Parts information for the engine is provided in the engine manual that was provided with your generator set. Please refer to the engine manual for replacement parts information.

Figure E-2 Alternator Assembly

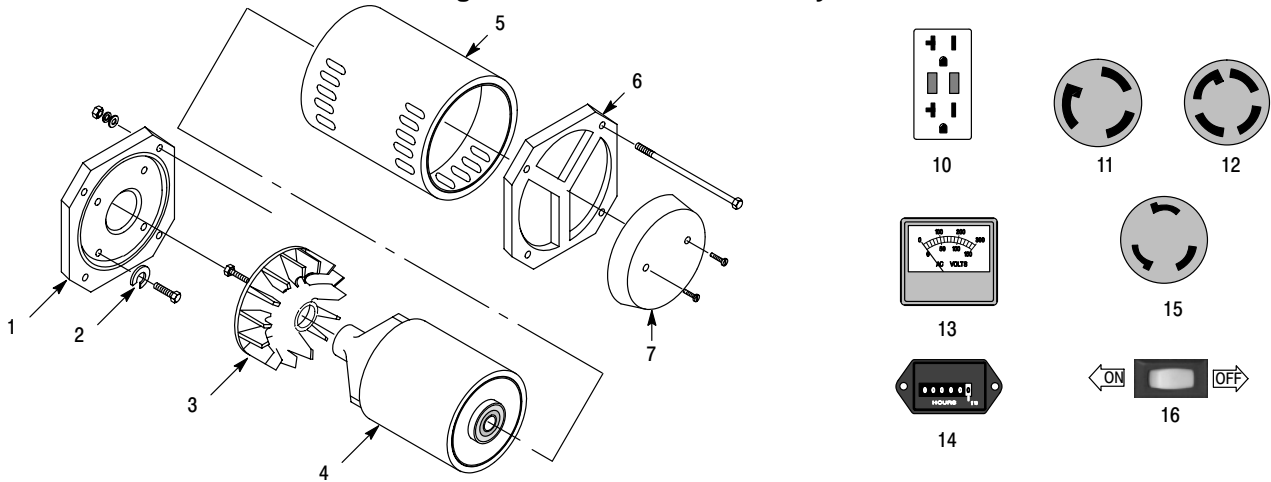


Figure E-3 Frame Assembly

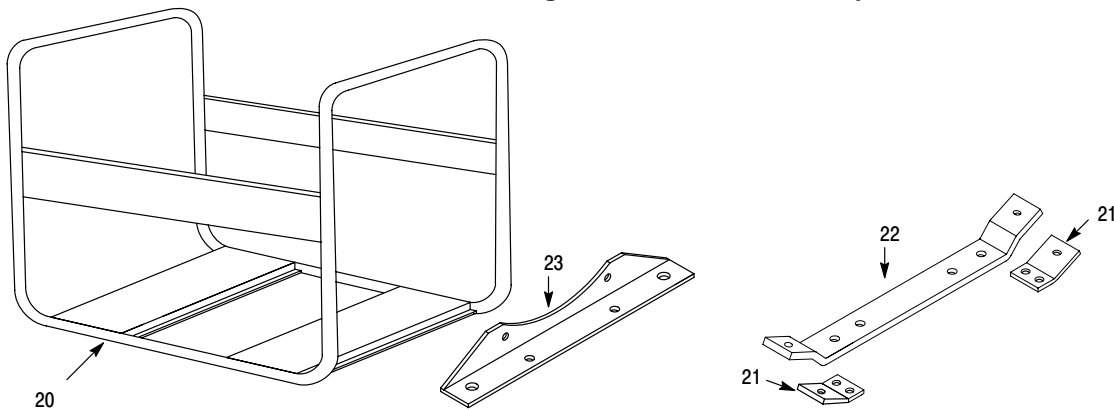
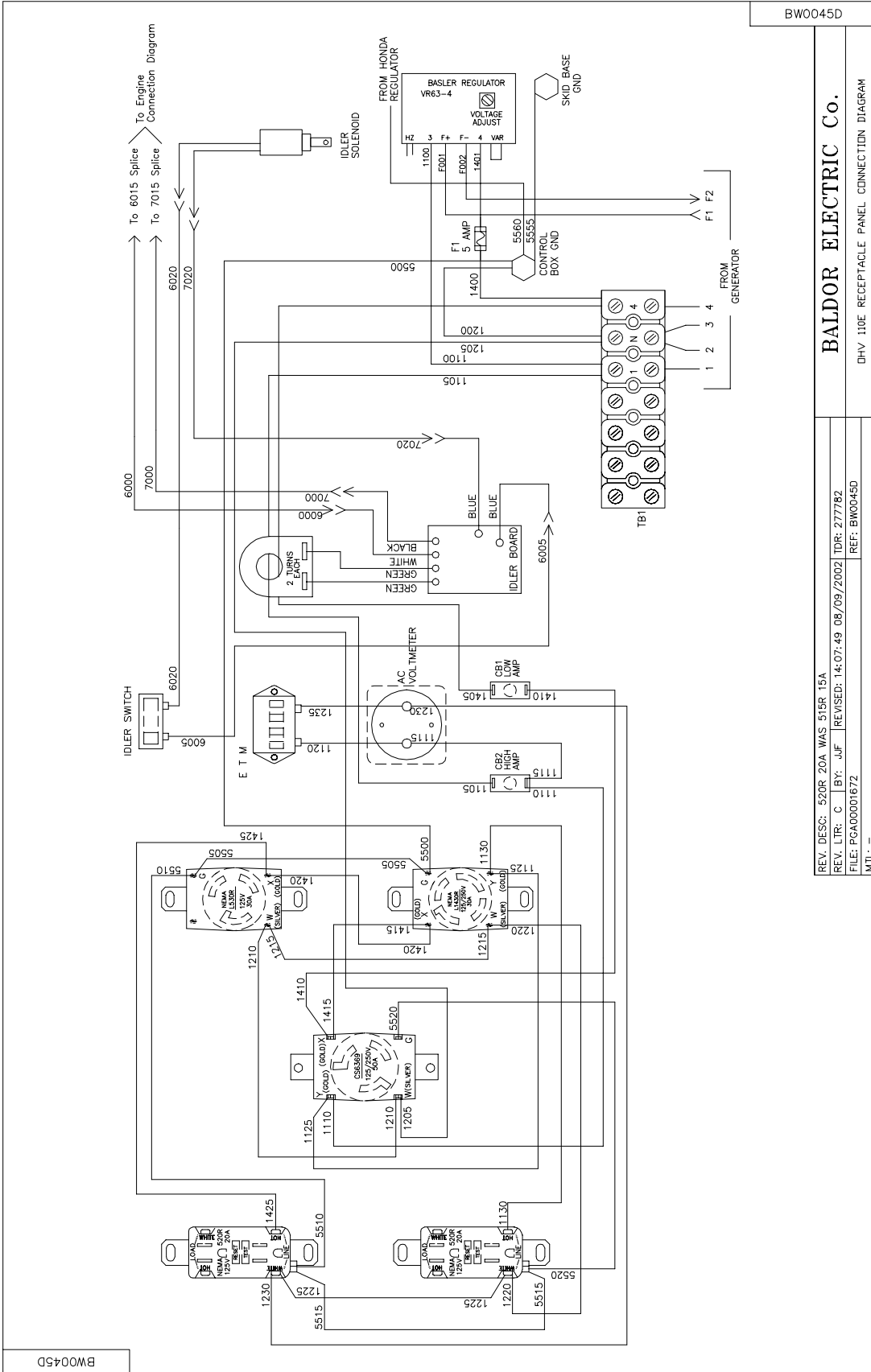


Table E-1 Generator Set Parts List

Ref No.	Part No.	Description
1	HB6177A01	Adaptor
2	HA3188A00	Bolt, Rotor Attaching
Not Shown	HB6155A00	O-Ring, Bearing Pocket in end rail
3	62FN4002	Fan
4	62RA0014A00	Rotor Assembly (includes bearing)
Not Shown	BG6207H03	Bearing (included with rotor)
5	62SA0006A00	Stator Assembly
6	62EP3202A01	Bearing Bracket (bearing included with rotor)
Not Shown	62EX5001A01	Exciter Field Assembly
Not Shown	HS5009A00	Heat Sinks, Rectifier
Not Shown	DI0177A00	Rectifier, 4 terminal bridge
7	EH0324A00	Cover
10	WD1541A33	GFCI Duplex Receptacle, 250VAC at 20 Amps, NEMA 5-20R
11	WD1541A10	Receptacle, 125VAC at 30 Amps, NEMA L5-30R
12	WD1541A14	Receptacle, 125/250VAC at 30 Amps, NEMA L14-30R
13	WD3201A02	AV Voltmeter (Dual Scale)
14	WD3201A00	Hour Meter
15	WD1541A28	Receptacle, 125/250VAC at 50 Amps, CS6369
Not Shown	EH0317A00	Side Control Panel Box
Not Shown	EH0334A00	Cover, Side Control Panel Box
Not Shown	EH0302A00	End Control Panel Box
Not Shown	EH0324A00	Cover, End Control Panel Box, louvered front
16	SP9080	Idler Switch, 2 position rocker
Not Shown	EB1246A01	Idler Module
Not Shown	CT0046A00	Idler Transformer
Not Shown	EA0040A01	Idler Spring
Not Shown	SE0059A00	Idler Solenoid
Not Shown	CK0070A05	Circuit Breaker, 50A
Not Shown	EM0027A04	Voltage Regulator
Not Shown	FU0066A00	Fuse, Voltage Regulator
Not Shown	FU0064A00	Fuse Holder, Voltage Regulator
Not Shown	TA0000A01	Fuel Tank
Not Shown	TA0002A02	Fuel Cap with Gauge
Not Shown	EA0011A00	Fuel Filter, in-line
20	BA0215A00L2B	Base Frame
21	HB7025A00Z	Engine Mounting Foot
22	HB6150A03	Engine end frame cross member
23	HB6068A00	Alternator end frame cross member
Not Shown	HB7025A00	Vibration Isolator, attach to base
Not Shown	RM1088A07	Vibration Isolator Mount
Not Shown	LB9606A04	Decal, Baldor Logo, 5.65"
Not Shown	LB9606A02	Decal, Baldor Logo, 6.35"
Not Shown	LB9606A05	Decal, Baldor Logo, 7.53"
Not Shown	LB0094A44	Decal, Conduit Box, ON-OFF
Not Shown	LB0094A12	Decal, Warning
Not Shown	LB0094A25	Decal, OHV100E, Panel
Not Shown	LB0094A35	Decal, Warning
Not Shown	LB9624A00	Decal, OHV110E, Side
Not Shown	HB6116A00	Battery Tie Down
Not Shown	HA3187A12	Battery Tie Down Bolt
Not Shown	HB6134A02	Battery Rack
Not Shown	EA0009A73	Oil Pressure Switch
Not Shown	SP9132	Key Switch, engine starting
Not Shown	SE0057A00	Solenoid, 12V Engine Starting

Wiring Diagrams Wiring diagrams for the OHV110E generator are contained on the following pages of this appendix.

Figure E-4 OHV110E Wiring Diagram



BW0045D

BALDOR ELECTRIC Co.

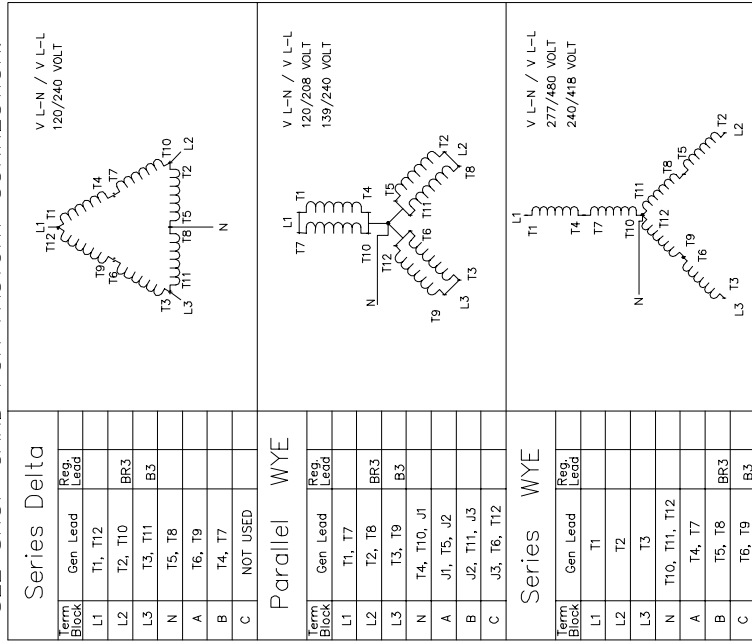
DHV 110E RECEPTACLE PANEL CONNECTION DIAGRAM

REV. DESC: 520R 20A WAS 515R 15A
 REV. LTR: C | BY: JUF | REVISED: 14:07:49 08/09/2002 | TOR: 277782
 FILE: PG00001672 | REF: BW0045D
 MTL: -

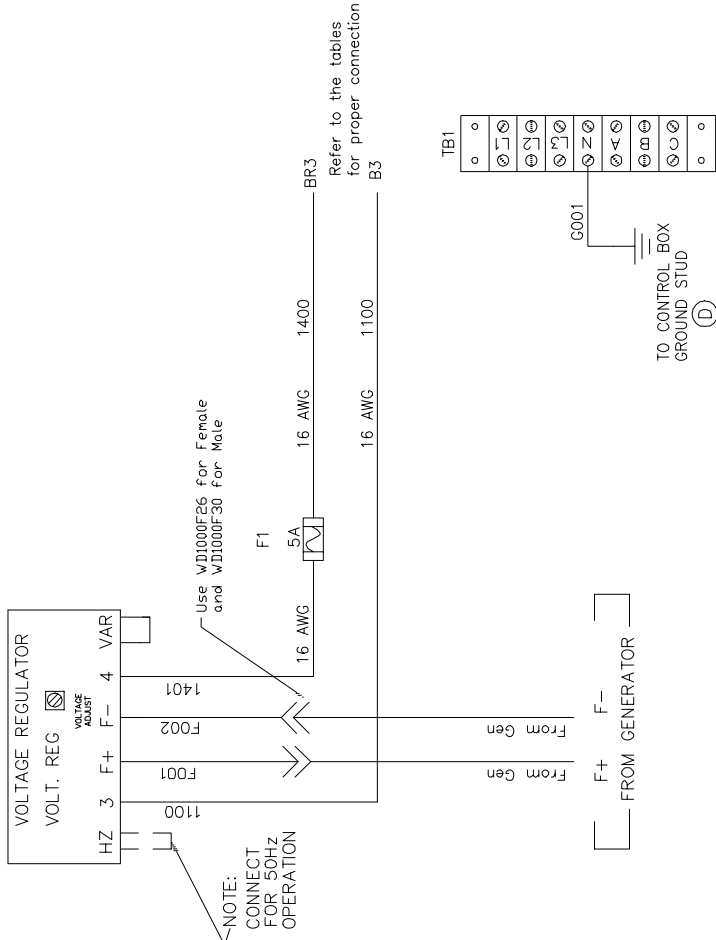
BW0045D

Figure E-5 OHV100E Generator Output Wiring Diagram

SEE SHOP CARD FOR FACTORY CONNECTION.



BW0033D



NOTE:
CONNECT FOR 50HZ OPERATION

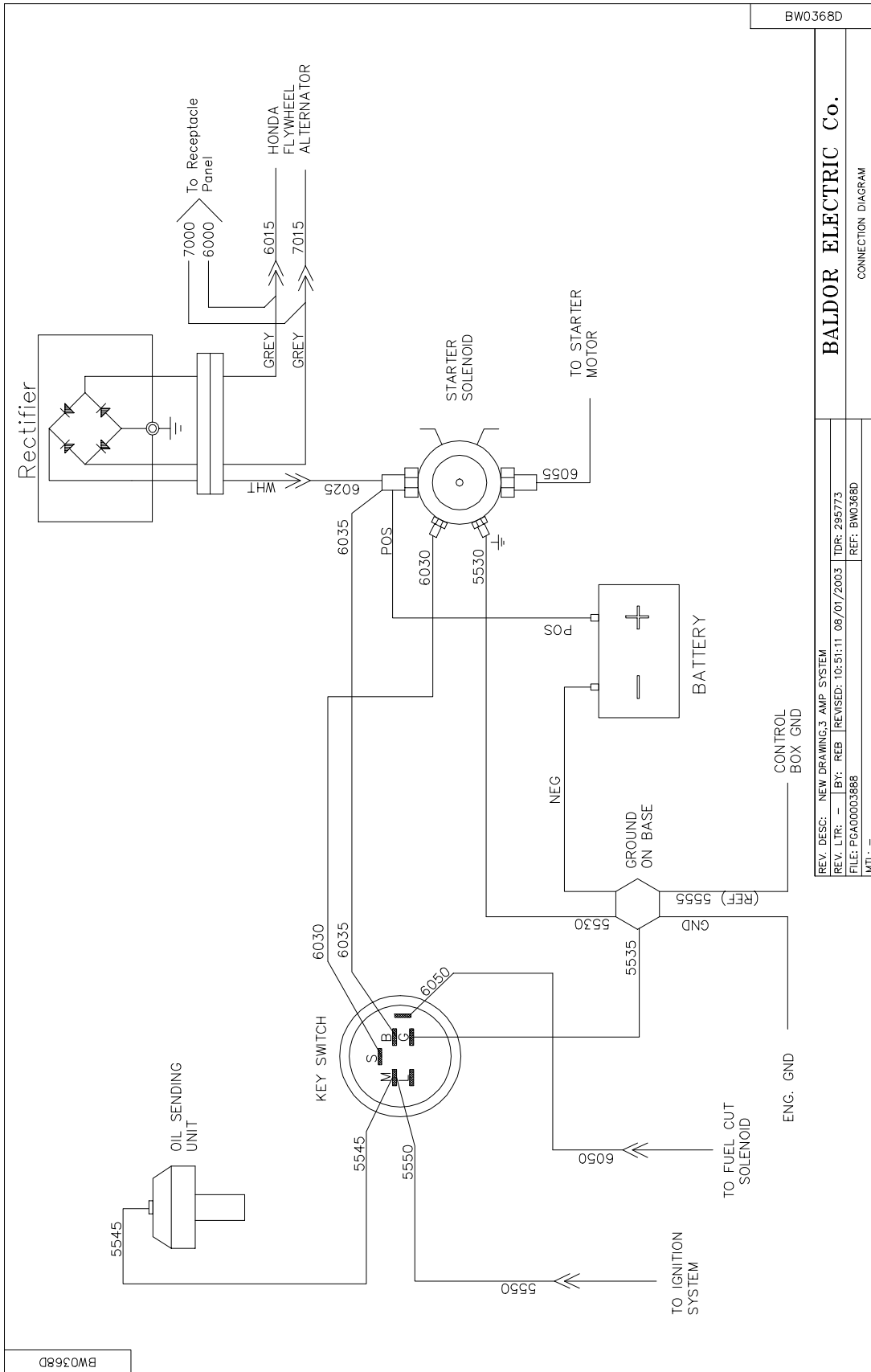
BW0033D

BALDOR ELECTRIC Co.

CONNECTION DIAGRAM OHV100E-110E 3 PHASE

REV. DESC: REVISE PER AUDIT	TDR: 278250
REV. LTR: D BY: REB	REVISED: 13.01.40 08/13/2002
FILE: PGAC0001668	REF: BW0033D
MFL: --	

Figure E-6 OHV110E DC Wiring Diagram



BW0368D

BALDOR ELECTRIC Co.

CONNECTION DIAGRAM

REV. DESC: NEW DRAWING, 3 AMP SYSTEM

REV. LTR: - BY: REB REVISED: 10/31/11 08/01/2003 TDR: 285773

FILE: PG400003888 REF: BW0368D

MTL: -

BW0368D

Baldor District Offices

UNITED STATES

ARIZONA

PHOENIX
4211 S 43RD PLACE
PHOENIX, AZ 85040
PHONE: 602-470-0407
FAX: 602-470-0464

CALIFORNIA

LOS ANGELES
6480 FLOTILLA
COMMERCE, CA 90040
PHONE: 323-724-6771
FAX: 323-721-5859

HAYWARD
21056 FORBES STREET
HAYWARD, CA 94545
PHONE: 510-785-9900
FAX: 510-785-9910

COLORADO

DENVER
2520 W BARBERRY PLACE
DENVER, CO 80204
PHONE: 303-623-0127
FAX: 303-595-3772

CONNECTICUT

WALLINGFORD
65 SOUTH TURNPIKE ROAD
WALLINGFORD, CT 06492
PHONE: 203-269-1354
FAX: 203-269-5485

FLORIDA

TAMPA/PUERTO RICO/
VIRGIN ISLANDS
3906 EAST 11TH AVENUE
TAMPA, FL 33605
PHONE: 813-248-5078
FAX: 813-247-2984

GEORGIA

ATLANTA
62 TECHNOLOGY DR.
ALPHARETTA, GA 30005
PHONE: 770-772-7000
FAX: 770-772-7200

ILLINOIS

CHICAGO
795 MITTEL DRIVE
WOOD DALE, IL 60191
PHONE: 630-787-9600
FAX: 630-787-0434

INDIANA

INDIANAPOLIS
5525 W. MINNESOTA ST.
INDIANAPOLIS, IN 46241
PHONE: 317-246-5100
FAX: 317-246-5110
800-428-4141

IOWA

DES MOINES
1901 BELL AVE., SUITE 7
DES MOINES, IA 50315
PHONE: 515-244-9996
FAX: 515-244-6124

MARYLAND

BALTIMORE
6660 SANTA BARBARA RD
SUITE 22-24
ELKRIDGE, MD. 21075
PHONE: 410-579-2135
FAX: 410-579-2677

MASSACHUSETTS

BOSTON
317 BROOKS ST.
WORCESTER, MA 01606
PHONE: 508-854-0708
FAX: 508-854-0291

MICHIGAN

DETROIT
33782 STERLING PONDS BLVD.
STERLING HEIGHTS, MI 48312
PHONE: 586-978-9800
FAX: 586-978-9969

GRAND RAPIDS
668 3 MILE ROAD NW
GRAND RAPIDS, MI 49504
PHONE: 616-785-1784
FAX: 616-785-1788

MINNESOTA

MINNEAPOLIS
21080 134TH AVE. NORTH
ROGERS, MN 55374
PHONE: 763-428-3633
FAX: 763-428-4551

MISSOURI

ST LOUIS
422 INDUSTRIAL DRIVE
MARYLAND HEIGHTS, MO 63043
PHONE: 314-298-1800
FAX: 314-298-7660

KANSAS CITY
915 N W PLATTE VALLEY DR
RIVERSIDE, MO 64150
PHONE: 816-587-0272
FAX: 816-587-3735

NEW YORK

AUBURN
ONE ELLIS DRIVE
AUBURN, NY 13021
PHONE: 315-255-3403
FAX: 315-253-9923

NORTH CAROLINA

GREENSBORO
1220 ROTHERWOOD ROAD
GREENSBORO, NC 27406
P O BOX 16500
GREENSBORO, NC 27416
PHONE: 336-272-6104
FAX: 336-273-6628

OHIO

CINCINNATI
2900 EARHART COURT
SUITE 200
HEBRON, KY 41048
PHONE: 859-586-0222
FAX: 859-586-0779

CLEVELAND

8929 FREEWAY DRIVE
MACEDONIA, OH 44056
PHONE: 330-468-4777
FAX: 330-468-4778

OKLAHOMA

TULSA
2 EAST DAWES
BIXBY, OK 74008
PHONE: 918-366-9320
FAX: 918-366-9338

OREGON

PORTLAND
20393 SW AVERY COURT
TUALATIN, OR 97062
PHONE: 503-691-9010
FAX: 503-691-9012

PENNSYLVANIA

PHILADELPHIA
1035 THOMAS BUSCH
MEMORIAL HIGHWAY
PENNSAUKEN, NJ 08110
PHONE: 856-661-1442
FAX: 856-663-6363

PITTSBURGH

616H BEATTY ROAD
MONROEVILLE, PA 15146
PHONE: 412-380-7244
FAX: 412-380-7250

TENNESSEE

MEMPHIS
4000 WINCHESTER ROAD
MEMPHIS, TN 38118
PHONE: 901-365-2020
FAX: 901-365-3914

TEXAS

HOUSTON
4647 PINE TIMBERS
SUITE # 135
HOUSTON, TX 77041
PHONE: 713-895-7062
FAX: 713-690-4540

DALLAS

3040 QUEBEC
DALLAS, TX 75247
PHONE: 214-634-7271
FAX: 214-634-8874

ODESSA

6968 EAST COMMERCE
ODESSA, TX 79762
PHONE: 432-367-2707
FAX: 432-367-9877

UTAH

SALT LAKE CITY
2230 SOUTH MAIN STREET
SALT LAKE CITY, UT 84115
PHONE: 801-832-0127
FAX: 801-832-8911

WISCONSIN

MILWAUKEE
2725 SOUTH 163RD STREET
NEW BERLIN, WI 53151
PHONE: 262-784-5940
FAX: 262-784-1215

INTERNATIONAL SALES

FORT SMITH, AR
BALDOR ELECTRIC CO
FORT SMITH, AR 72902
PHONE: 479-646-4711
FAX: 479-648-5895

CANADA

EDMONTON, ALBERTA
4053-92 STREET
EDMONTON, ALBERTA T6E6R8
PHONE: 780-434-4900
FAX: 780-438-2600

OAKVILLE, ONTARIO
2750 COVENTRY ROAD
OAKVILLE, ONTARIO L6H6R1
PHONE: 905-829-3301
FAX: 905-829-3302

MONTREAL, QUEBEC
1844 WILLIAM STREET
MONTREAL, QUEBEC H3J1R5
PHONE: 514-933-2711
FAX: 514-933-8639

VANCOUVER,
BRITISH COLUMBIA
1538 KEBET WAY
PORT COQUITLAM, BC V3C 5M5
PHONE 604-421-2822
FAX: 604-421-3113

WINNIPEG, MANITOBA
54 PRINCESS STREET
WINNIPEG, MANITOBA R3B1K2
PHONE: 204-942-5205
FAX: 204-956-4251

AUSTRALIA

UNIT 3, 6 STANTON ROAD
SEVEN HILLS, NSW 2147,
AUSTRALIA
PHONE: (61) (2) 9674 5455
FAX: (61) (2) 9674 2495

UNIT 8, 5 KELLETTS ROAD
ROWVILLE, VICTORIA, 3178
AUSTRALIA
PHONE: (03) 9753 4355
FAX: (03) 9753 4366

CHINA

SHANGHAI JIAHUA BUSINESS CENTER
ROOM NO. C-203
808 HONG QIAO ROAD
SHANGHAI 200021
PHONE: 86-21-64473060
FAX: 86-21-64078620

EL SALVADOR

BALDOR CENTROAMERICA
RESIDENCIAL PINARES DE SUIZA
POL. 15 #44, NVA. SAN SALVADOR
EL SALVADOR, CENTRO AMERICA
PHONE: (503) 288-1519
FAX: (503) 288-1518

FRANCE

2, RUE DU VALLON
94440 MAROLLES EN BRIE
PHONE: 33 145 10 7902
FAX: 33 145 99 0864

GERMANY

BALDORSTRASSE 22
D-85551 KIRCHHEIM
MUNICH, GERMANY
PHONE: (49) (89) 90508 - 0
FAX: (49) (89) 90508 - 491

ITALY

Baldor ASR AG
Mendrisio Office
Via Borromini, 20A
6850 Mendrisio
Switzerland
PHONE: 0041 91 640 99 50
FAX: 0041 91 630 26 33

JAPAN

NEO MIME 501
2-5 DAIMACHI,
KANAGAWA-KU
YOKOHAMA, 221-0834, JAPAN
PHONE: 81-45-412-4506
FAX: 81-45-412-4507

MÉXICO

BLVD. AL AEROPUERTO, KM. 2
LEÓN 37545, GUANAJUATO,
MÉXICO
PHONE: 52-477-761-2030
FAX: 52-477-761-2010

PANAMA

BALDOR SUDAMERICA
9109 0818, ZONA 6 BETHANIA
PANAMA CITY, REP. DE PANAMÁ
PHONE: (507) 261-5347
FAX: (507) 261-5355

SINGAPORE

51 KAKI BUKIT ROAD 2
K B WAREHOUSE COMPLEX
SINGAPORE 417863
PHONE: (65) 6 744 2572
FAX: (65) 6 747 1708

SWITZERLAND

POSTFACH 73
SCHUTZENSTRASSE 59
CH-8245 FEUERTHALEN
SWITZERLAND
PHONE: (41) (52) 6474700
FAX: (41) (52) 6592394

TAIWAN

ROOM R, 2F, NO. 124
CHUNG CHENG ROAD, SHIHLIN DIST.
TAIPEI 11141
PHONE: 886-2-2835-1666 EXT. 802
FAX: 886-2-2835-1717

UNITED KINGDOM

6 BRISTOL DISTRIBUTION PARK
HAWKLEY DRIVE
BRISTOL BS32 0BF U.K.
PHONE: 44 1454 850000
FAX: 44 1454 859001

**WARNING:
CALIFORNIA PROPOSITION 65 WARNING:**

Engine exhaust from this product contains chemicals known to the state of California to cause cancer, birth defects and other reproductive harm.

**WARNING:
CALIFORNIA PROPOSITION 65 WARNING:**

Diesel engine exhaust and some constituents are known to the state of California to cause cancer, birth defects and other reproductive harm.

**WARNING:
CALIFORNIA PROPOSITION 65 WARNING:**

Battery posts, terminals and related accessories are known to the state of California to cause cancer, birth defects and other reproductive harm.

BALDOR®

**BALDOR GENERATORS
3815 Oregon Street
Oshkosh, WI 54902
(920) 236-4200 or (800) 872-7697
Fax (920) 236-4219
www.baldor.com**

