

# AMEREC STEAMBATH GENERATORS

(MODELS: AK4, AK5, AK6, AK7, AK8.5, AK10, 3K8, 3K10, 3K12, 3K14)

**SAVE THIS MANUAL**

Thank you for purchasing your new AMEREC steam generator. If we can be of any assistance do not hesitate to call our Service Department at 1-800-331-0349.

**FOR THE SAFETY OF YOU AND YOUR FAMILY PLEASE READ THE WARNINGS TO THE RIGHT AND ALL INSTRUCTIONS BEFORE USING YOUR STEAMBATH.**

**POST "STEAMBATH INSTRUCTIONS" LABEL OUTSIDE STEAMBATH FOR SAFETY WARNINGS.**

### SECTION 1: OPERATION OF YOUR NEW AMEREC GENERATOR

1. Assure that both the power circuit and water supply to the generator are ON
2. To activate the steam press the control on. In 10 to 20 minutes the room should be comfortable enough to begin taking a steam bath. The unit will turn off automatically in 30 minutes. The average time spent taking a steam bath is approximately 10 minutes.
3. Remove clothing and jewelry.
4. Enter the steam room and close the door to prevent steam from escaping
5. Relax and enjoy the warm steam releasing tense muscles and refreshing the entire body
6. If your steam room has a shower, a pleasant experience can be achieved by taking a warm shower while in the steam. You will find the contrast from water to steam quite invigorating
7. Pressing the control while the steam generator is operating will shut it off
8. The R30K control does not provide automatic temperature control. Use the on/off button to control the temperature as desired.

### SECTION 2: MAINTENANCE OF THE AK SERIES

The steam generator, steam head, fittings and plumbing connections should be inspected annually for water leaks and damage

The AK steam generator is equipped with a drain valve for flushing sediments from the generator tank. This procedure should be scheduled monthly or more often depending on local water conditions and steam bath usage.

#### FLUSHING PROCEDURE

1. The generator should be cool
2. Turn control on.
3. Open the drain valve.
4. The unit will drain without heating the water.
5. Allow the water to run 10 minutes
6. Close the drain valve.

### WARNING

*Electric Shock Hazard - High voltage exists within this equipment. There are no user serviceable parts in this equipment. All installation and service to this equipment should be performed by qualified licensed personnel.*

*Do not exceed 30 minutes in a steambath. Excessive exposure can be harmful to your health. Excessive exposure can produce a rapid pulse, light-headedness, weakness or fainting. If you become uncomfortable or experience any of the above conditions exit the steambath immediately.*

*Steambaths can put undue stress on the body. Therefore a steambath should be used only under a doctor's direction if you:*

- Are pregnant*
- Have a heart condition*
- Have high blood pressure*
- Have circulatory problems*
- Are under the influence of alcohol*
- Are under the influence of drugs*
- Have diabetes*
- Are under the care of a physician*
- Are in generally poor health*

*Children should only use the steambath under close adult supervision.*

*Scald Hazard: Do Not Touch the steam head or trim during operation as they are HOT. Stay at least 12 inches away from the hot steam escaping from the steam head. It is recommended that the steambath not be operated for more than one timer cycle without allowing the steam bath enclosure to cool because of the following:*

*Certain construction materials may be damaged by the higher than normal heat.*

*A scald hazard could be presented by bath fixtures overheating.*

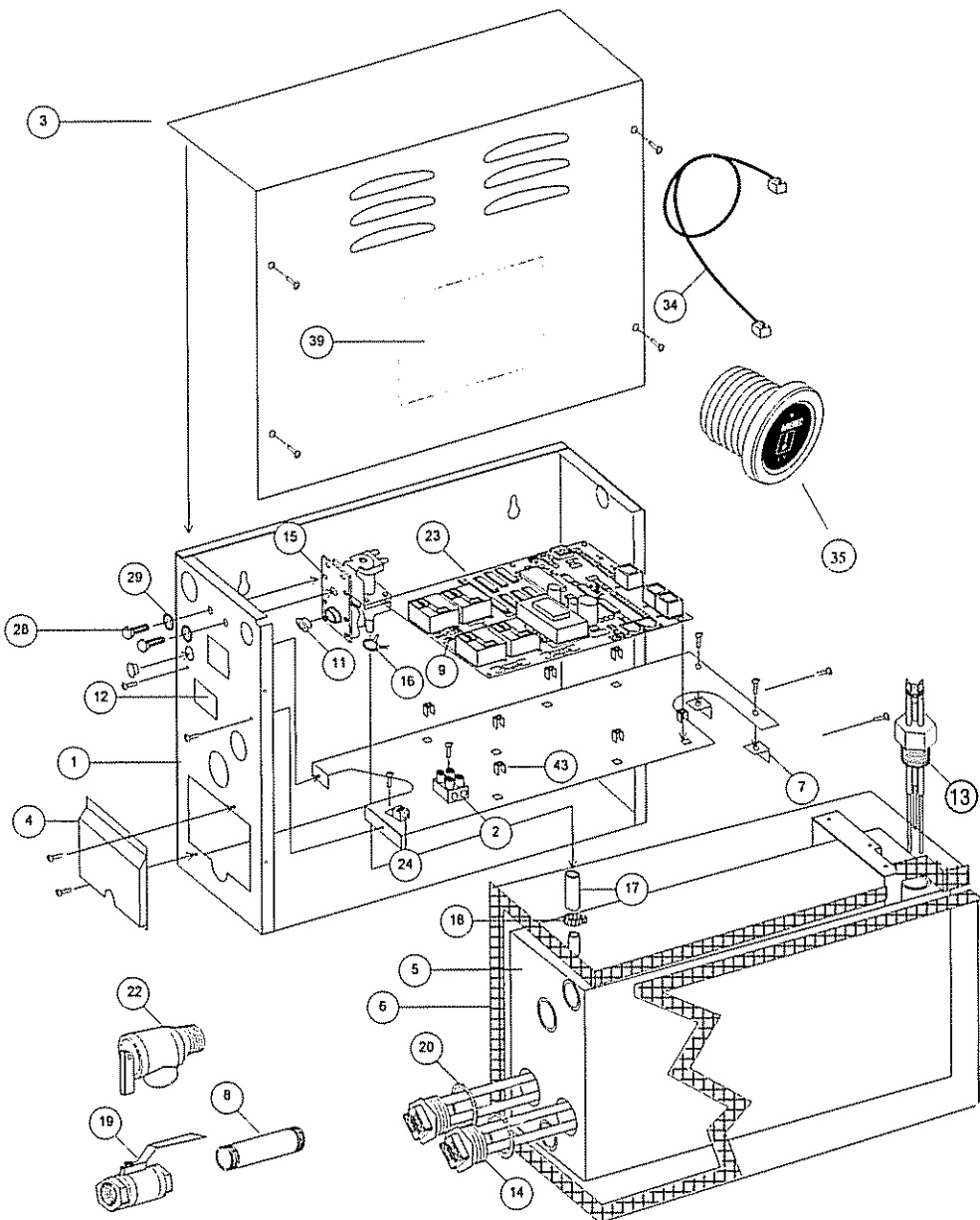
*Be careful when entering a steambath. Escaping steam from an overheated steam room may cause injury.*



**SECTION 3: TROUBLESHOOTING GUIDE**

The Troubleshooting Guide below is meant as a general aid only. There are no user serviceable parts in the generator. All repairs should be performed by a qualified service person. For additional assistance or the factory authorized service person nearest you call AMEREC's Service Department at 1-800-331-0349

SYMPTOMS	PROBABLE CAUSES	ACTION TO BE TAKEN
Control "ON" (Control Lighted) No Steam	No water to Generator or Control circuit is faulty or Generator is faulty	1 Wait at least 10 minutes after turning on Control. 2 Verify that the water is on. 3 Verify that the Generator's drain valve is closed. 4 If the above 4 steps do not disclose the problem turn off the Generator's circuit breaker. Call AMEREC's Service Department.
Control "OFF" (Control light off) Unit still makes steam	Control circuit is faulty or Generator is faulty	1 Turn off circuit breaker 2 Call AMEREC's Service Department
Water runs out steam head	Generator is faulty	1 Turn off circuit breaker 2 Turn off water. 3 Call AMEREC's Service Department.



NUMBER	PART NAME	DESCRIPTION
1	FRAME	CHASSIS
2	TERMINAL	POWER INPUT TERMINAL BLOCK
3	COVER	FRONT WITH WD LABEL
4	COVER	ELEMENT ACCESS
5	TANK	TWO ELEMENTS
6	INSULATION	BLANKET
7	BRACKET	L BRACKET
8	NIPPLE	DRAIN NIPPLE
9	TERMINAL	OPTIONAL AUTO FLUSH TERMINAL BLOCK
10	CAP	CAP, THREAD PROTECTOR
11	LABEL	UL RATING
12	PROBE	TRIPLE LEVEL
14	ELEMENT	REPLACEMENT ELEMENT
15	VALVE	WATER INLET
16	CLAMP	SELF-TIGHTENING
17	HOSE	WATER
18	CLAMP	AUGER
19	VALVE	MANUAL DRAW
20	GASKET	ELEMENT
22	VALVE	PRESSURE RELIEF
23	PCA	PRINTED CIRCUIT ASSEMBLY, AK
24	LUG	GROUND
28	BOLT	1/4"-20 x 1/2"
29	WASHER	3/4" LOCK
33	CONTROL	CONTROL HOUSING
34	CABLE	CONTROL CABLE
35	CONTROL	R30K
37	STEAM HEAD	DISPERSION HEAD (NOT SHOWN)
38	PLACARD	SAFETY (NOT SHOWN)
39	LABEL	WIRE DIAGRAM
40	FUSES	15/100 SLO-BLO (NOT SHOWN)

• For assistance or part orders please contact your local AMEREC Dealer or call AMEREC at 1-800-331-0349 Please help us serve you better by:

1 Identifying the problem by using the troubleshooting guide in this manual

2 Read number 12, the UL Rating Label to obtain your unit's model and code number

•When ordering parts please provide the number, description and quantity needed. When ordering wire assemblies, please describe the wires by color, location and/or their connection points

• Do not return any materials to AMEREC without first contacting AMEREC for a Return Authorization Number. Freight must be prepaid to AMEREC