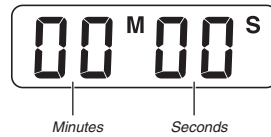
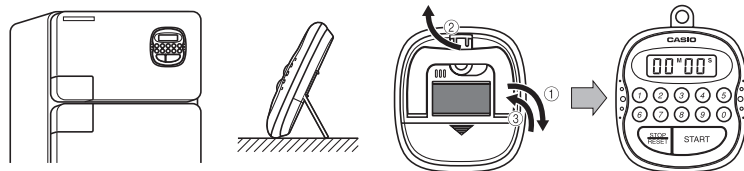
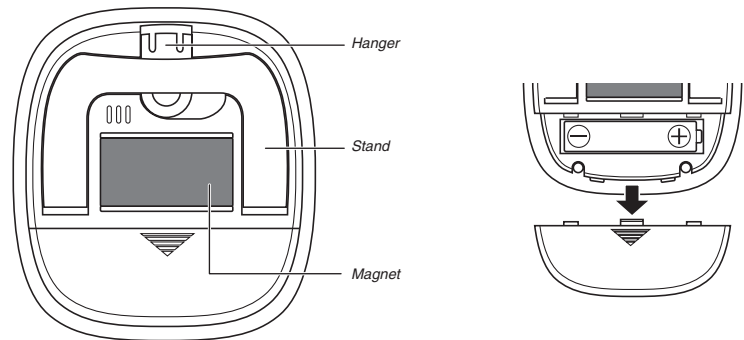
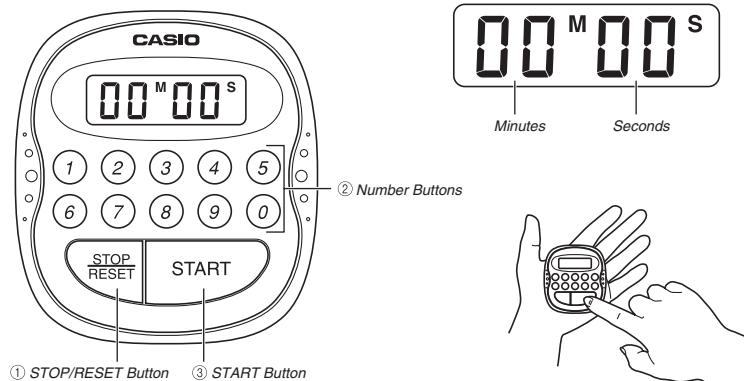


USER'S GUIDE TMR-72

CASIO®



- A sticker is affixed to the display of this timer when you purchase it. Be sure to remove the sticker before using the timer.
- Depending on the timer model, the configuration of your timer may differ somewhat from that shown in the illustration.
- Hold the timer steady with your hand whenever operating its buttons.

USING THE TIMER

1. Set the start time.

1. Press the **STOP/RESET button** (①) to reset the time display to 00^M00^S.
2. Use the **number buttons** (②) to input the start time.

Example 1: To set 15 minutes, 30 seconds

Press: ① ⑤ ③ ① ①

Example 2: To set 3 minutes, 5 seconds

Press: ③ ③ ① ⑤ ①

- You can set a start time up to 99 minutes, 99 seconds.
- If you make a mistake, you can clear the displayed time to 00^M00^S by pressing the **STOP/RESET button** (①).
- Starting a timer operation while the start time is 00^M00^S causes the timer to count time upwards, like a stopwatch.

2. Start the timer.

Press the **START button** (③) to start timer operation.

- The displayed time counts down in 1-second steps.
- To pause the timer operation, press the **STOP/RESET button** (①). Press the **START button** (③) to restart the timer operation.
- While the timer operation is paused, you can clear the displayed time to 00^M00^S by pressing the **STOP/RESET button** (①) again.

■ Time Up Alert

- The timer starts to beep when it reaches the end of the countdown.
- The beeper continues for about one minute or until you press any of the buttons.
- The display shows 00^M00^S after the end of a countdown is reached.

USING THE TIMER AS A STOPWATCH

1. Press the **STOP/RESET button** (①) to reset the time display to 00^M00^S.
2. Press the **START button** (③) to start the stopwatch operation.
- The displayed time counts up in 1-second steps.
3. To pause the stopwatch operation, press the **STOP/RESET button** (①). Press the **START button** (③) to restart the stopwatch operation.
4. While the stopwatch operation is paused, you can clear the displayed time to 00^M00^S by pressing the **STOP/RESET button** (①) again.
- 59^M59^S flashes on the display when the stopwatch time exceeds its maximum capacity of 59 minutes, 59 seconds. When this happens, press the **STOP/RESET button** (①) twice to clear the displayed time to 00^M00^S.

REPLACING THE BATTERY

Replace the battery whenever the display of the timer becomes dim and difficult to read.

1. Pressing down at the point marked ▼ on the battery cover, slide the cover to remove it.
2. Remove the old battery.
3. Load a new battery. Make sure that its positive (+) and negative (-) ends are facing correctly. If you load the battery incorrectly, it can burst and damage the timer.
4. Replace the battery cover.

BATTERY PRECAUTIONS

- Keep batteries out of the reach of small children. If a battery is accidentally swallowed, contact your physician immediately.
- Be sure to load the battery with its positive (+) and negative (-) ends facing correctly.
- Never charge the battery that comes with the timer.
- Should a battery ever leak while in the timer, wipe out the fluid with a cloth, taking care not to let any get onto your skin.
- Replace the battery at least once a year, even if the current battery is working normally.
- The battery that comes with the timer loses some power during transport and storage.