

Bushnell®

VOYAGER®

T E L E S C O P E

WITH SKY TOUR™

INSTRUCTION
MANUAL



78-9960 700x60mm REFRACTOR
78-9970 800x70mm REFRACTOR



78-9930 700x76mm REFLECTOR
78-9945 900x114mm REFLECTOR

Lit.#: 98-0822/01-10

Congratulations on the purchase of your Bushnell Voyager Telescope with Sky Tour! This telescope truly is the ultimate first telescope. The Sky Tour handset will actually speak, giving you a personal real-time tour of the night sky each and every night. Each tour object will include directions associated with it to allow you to quickly find the object with your telescope.

After reading through this manual and preparing for your observing session as outlined in these pages, you can start enjoying the Sky Tour feature by doing the following:

After inserting 3 AA batteries, push and hold the “Constellation” button (the upper left hand button in the four button section) until the Sky Tour handset starts speaking and prompting you for set up.

To find your latitude and longitude, please check a map of your area or log on to the Bushnell website for assistance (www.bushnell.com).

Once the setup is complete, and handset confirms that your settings are saved you should then power off. To begin using the handset, press and hold the Constellation button until the unit powers on again.

Your settings will be retained for an extended period of time provided that you do not remove the batteries. This will allow you to immediately enjoy the Sky Tour each and every time that you use the same viewing location. If you have moved to a different viewing location, you can change your settings by powering up the handset with the “Mythology” button depressed (instead of the “Constellation” button) and simply following the spoken directions.

We hope you enjoy this telescope for years to come.



**NEVER LOOK DIRECTLY AT THE SUN
WITH YOUR TELESCOPE
PERMANENT DAMAGE TO YOUR EYES
MAY OCCUR**



SKY TOUR HANDSET INTERFACE KEY

1. **Constellation** Button (also turns unit ON by depressing and holding)
2. **Mythology** Button (also places unit into SETUP mode from the off position when held and depressed)
3. **Amazing Facts** Button
4. **Planets** Button
5. **Back** Button (also turns volume down when depressed and held while handset is speaking)
6. **Next** Button (also turns volume up when depressed and held while handset is speaking)



BUTTON FUNCTIONS

ALL BUTTONS ARE ILLUMINATED FOR NIGHTTIME USE.

The **Constellation** Mode Button will allow you to tour many well-known constellations, and will give you basic information about each, including tips for finding and navigating by them, as well as specific information about special stars or other objects located within them.

The **Mythology** Mode Button will allow you to hear about ancient stories and myths revealing why the constellations are depicted and named as they are.

The **Amazing Facts** Mode Button provides mind-boggling information related to each constellation, including distance to stars, size, and other other interesting information.

The **Planets** Mode Button will give you a guided tour of the planets.

Note: To get the most out of the Sky Tour (for example the Constellation tour), listen to the entire set of information, and then change over to another mode. Anytime that you switch to another mode, you will hear more information, but may miss some from the previous mode unless you continue selecting next to hear more until the information begins to be repeated.

Pressing any mode button more than once sequentially will advance you to the next tour object in that mode.

The handset will power itself off after a certain length of time to conserve battery life. However, the illuminated mount and red dot finderscope must be turned off manually.

PARTS PACKING LIST-ALL MODELS

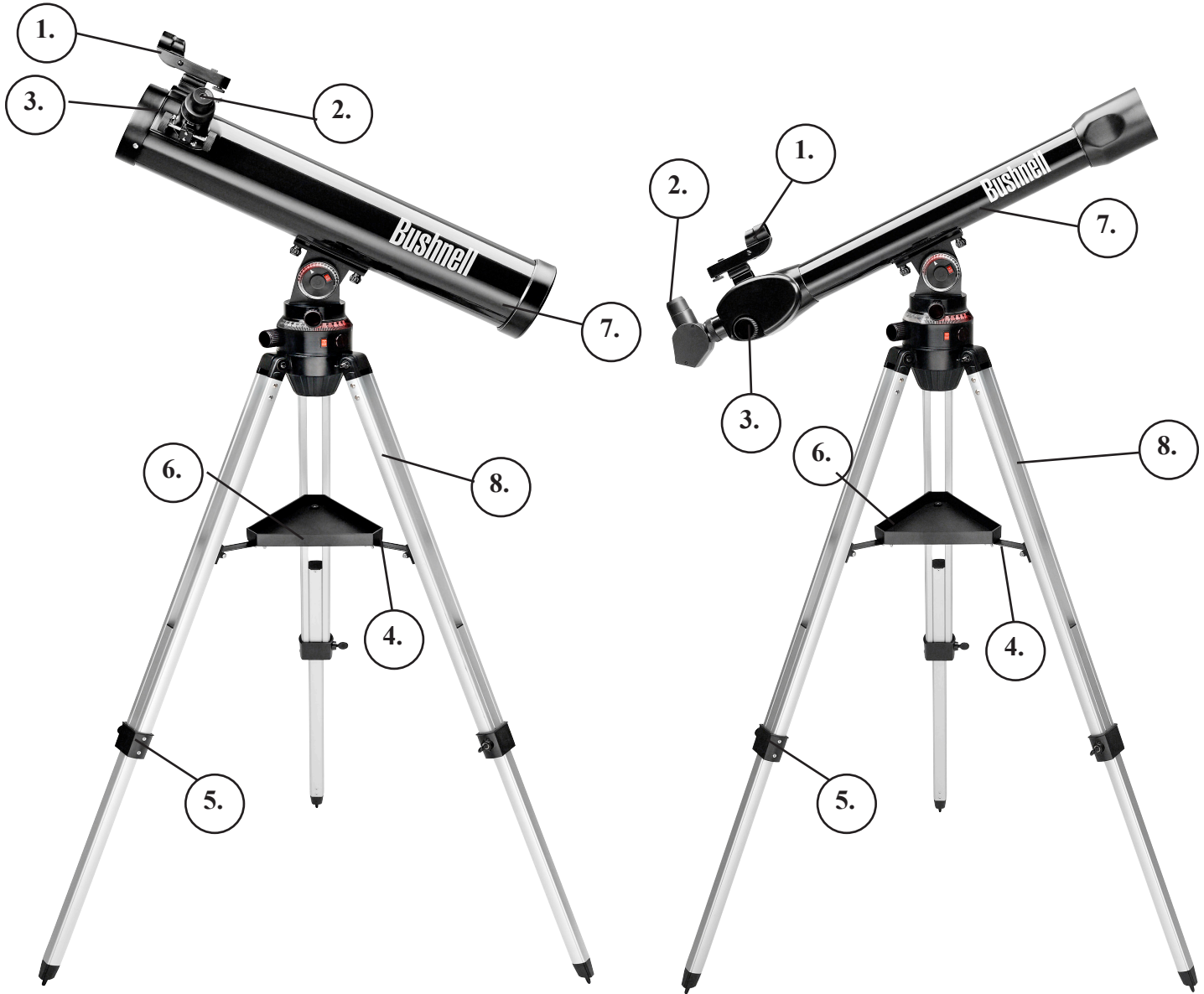
1. Red Dot Finderscope
2. 1.25" Format Eyepieces
3. Illuminated Telescope Mount with attached Adjustable Aluminum Tripod
4. Diagonal Mirror (Refractors Only)
5. 1.5x Erecting Eyepiece (Select Models Only)
6. Sky Tour Handset
7. Main Telescope Tube
8. Compass
9. Barlow Lens (Select Models Only)



Telescope Mount Parts Key

- | | |
|----------------------------------|--|
| 1. Illuminated Altitude Dial | 5. Azimuth Lock Knob |
| 2. Altitude Lock Knob (Backside) | 6. Azimuth Dial Light Switch |
| 3. Altitude Dial Light Switch | 7. Azimuth Fine Adjustment Knob
(Used only when Azimuth Lock Knob is engaged) |
| 4. Illuminated Azimuth Dial | |

MAIN TELESCOPE COMPONENTS



78-9930/78-9945

78-9960/78-9970

Telescope Components Key

- | | |
|-----------------------------|---------------------------------|
| 1. Red Dot Finderscope | 5. Tripod Leg Adjust |
| 2. 1.25" Format Eyepiece | 6. Quick-Release Accessory Tray |
| 3. Rack and Pinion Focusing | 7. Main Telescope Tube |
| 4. Accessory Tray Brace | 8. Adjustable Aluminum Tripod |

DETAILED ASSEMBLY

No tools are required for assembly of your telescope.

Remove all components from the carton and identify all parts. It is a good idea to lay all the parts out in front of you before assembly. Since your telescope is a precision optical system, the components require careful handling—particularly the Sky Tour Handset, Telescope, Eyepieces and various accessories.

Set Up Tripod and Accessory Tray

1. Stand the Voyager Illuminated Mount Assembly with pre-attached tripod legs on a level surface. Spread the tripod legs to their fullest position.
2. Fold down the accessory tray braces and place the Quick Release Accessory Tray on top of the braces.
3. Insert accessory tray bolt through the center of the accessory tray braces and tighten accessory tray bolt into the accessory tray brace.
4. Adjust the tripod height to suit by loosening the tripod leg adjustment bolts and extending the tripod legs to the desired height. Tighten the tripod leg adjustment bolts.

Attach Telescope Tube

1. Locate Main Telescope Tube.
2. Remove the two telescope tube bolt nuts from the bolts extending from the under side of the telescope tube.
3. Position main telescope tube with the attachment bolts facing down through the two holes in the illuminated telescope mount top.
4. Reattach the telescope tube bolt nuts and tighten.

Attach Final Telescope Accessories

1. Locate Red Dot Finderscope
2. Place finderscope over the corresponding attachment lug on the top of the telescope tube near the focusing mechanism.
3. Slide forward until the finderscope is seated securely. The large end of the finderscope should face the open end of the telescope tube.
4. Attach low power eyepiece.
 - a. For Reflector Telescopes, insert eyepiece directly into the focusing tube mechanism.
 - b. For Refractor Telescopes, insert eyepiece into the diagonal mirror, then insert the diagonal mirror into the focusing tube mechanism.
5. Tighten all set screws to secure accessories.

LENS ACCESSORIES

Barlow Lens (Select Models)

Some Voyager with Sky Tour units come with a Barlow lens. This accessory will allow you to now have dual use of any eyepiece. Simply put the Barlow lens between the focusing mechanism and the eyepiece for reflector style telescopes, or the focusing mechanism and the diagonal mirror on refractor style telescopes. Depending on the specification written on the Barlow lens, these accessories can double or even triple the magnification of the eyepiece when used with it. Remember, low power is always recommended, but higher powers are good especially on bigger and brighter objects such as the moon and planets.

DETAILED ASSEMBLY (CONTINUED)

LENS ACCESSORIES-con't

Erecting Lens 1.5X (Select Models Only)

This accessory allows the user to view objects on land as you would naturally see them with your unaided eye. To use this accessory, simply place the erecting lens in between your eyepiece and the focusing mechanism on your telescope.

FOCUSING TELESCOPE

1. After selecting the desired Eyepiece, aim Main Telescope Tube at a land-based target at least 200 yards away (e.g. A telephone pole or building). Fully extend focusing tube by turning Rack and Pinion Focusing Mechanism.
2. While looking through selected Eyepiece, slowly retract focusing tube by turning Rack and Pinion Focusing Mechanism until object comes into focus.

ALIGNING FINDERSCOPE

1. Look through Main Telescope Tube and establish a well-defined target. (see focusing telescope section).
2. Looking through finderscope, alternate tightening each Finderscope Adjustment Screw until center of finderscope is precisely centered on the same object already centered in main telescope tube's field of view.
3. Now, objects located first with the Finderscope will also be centered in the field of view of the Main Telescope Tube.

BATTERY INSTALLATION

Your Sky Tour Handset is powered by 3 AA batteries (user supplied) and are installed like you would with most remote controllers.

Your Illuminated Voyager Mount is powered by two CR1620 watch batteries (included). These batteries are installed by removing the battery cap located next to the illuminated dial power switches.

**NEVER LOOK DIRECTLY AT THE SUN
WITH YOUR TELESCOPE
PERMANENT DAMAGE TO YOUR EYES
MAY OCCUR**



INITIAL SETUP AND BASIC OPERATION

1. Set up your assembled telescope on a stable level surface. Your back yard is preferred to your back deck.
2. Turn on both illuminated dial switches to light your telescope mount.
3. Refer to the direction indicated by "0" on the included compass to align your telescope properly. To orient your telescope to the same "0" reference, follow these steps (refer to the "Telescope Mount Parts Key" on the parts illustration page) :
 - a. Find the black arrow index mark, located just below the azimuth dial on the mount.
 - b. Move the tripod (or entire telescope) until this arrow index mark is aimed in the direction indicated by "0" on the compass.
 - c. Loosen the azimuth lock knob and rotate the telescope tube until it is lined up in the same direction as the arrow index mark (and "0" on the compass). On refractor style telescopes, the large objective lens should be pointed in the same direction as the arrow index mark. On reflector style telescopes, the "open" end of the telescope tube should be pointed in this direction.
 - d. Finally, with the azimuth lock knob still loosened, rotate the illuminated azimuth dial so that "0" on the dial is lined up with the arrow index mark, telescope tube, and "0" compass heading.
4. Power on your Sky Tour Handset by pressing and holding the "Constellation Button".
 - a. If this is your first time setting up, the handset will prompt you to set your date, time, location information. Once this is set up, your Sky Tour handset will retain that information until the batteries are replaced. To find your latitude and longitude, please check a map of your area or log on to the Bushnell website for assistance (www.bushnell.com).
 - b. Once your Sky Tour Handset is set for your location and time, the handset will automatically tell you your local time and what objects are available for you to tour that evening.
5. Choose your desired mode of operation by pressing the corresponding button: Constellations, Mythology, Amazing Facts, or Planets.
6. The Sky Tour handset will then tell you an altitude number (this corresponds to the top dial) and an azimuth number (this corresponds to the bottom dial) for the tour object of choice.
7. Don't worry if you miss the numbers, you can repeat them by pressing the back button.
8. Move the telescope in altitude and azimuth to the corresponding numbers on the dials and the telescope will be pointed at your tour object!
9. Continue pressing the next button to hear more information for that mode until the facts are starting to repeat, then select a different mode.
10. You don't have to listen to all items in each mode, you can jump from mode to mode if you choose.
11. Each time you choose a new mode, directions are given for the first object in each mode. Simply move your telescope to view them and enjoy the information as it is spoken.
12. The planets mode is a unique mode that allows you to hear basic information about the five brightest planets and the moon.
13. Once you've finished the tour of each mode, you can advance to the next tour object by pressing the mode you desire a second time. This will advance the handset to the next item in the tour.
14. If desired, your telescope and handset may also be used independently.

HELPFUL HINTS

- Your telescope is a very sensitive instrument. For best results and fewer vibrations, set your telescope up on a level location on the ground rather than your concrete driveway or your wooden deck. This will provide a more stable foundation for viewing, especially if you've drawn a crowd with your new telescope.
- If possible, view from a location that has relatively few lights. This will allow you to see much fainter objects. You'd be surprised how much more you'll see from your local lake or park when compared to a backyard in the city.
- Using your telescope out a window is NEVER recommended.
- View objects that are high in the sky if possible. Waiting until the object rises well above the horizon will provide a brighter and crisper image. Objects on the horizon are viewed through several layers of earth's atmosphere. Ever wonder why the moon appears orange as it sets on the horizon? It's because you are looking through a considerably greater amount of atmosphere than you would directly overhead. (Note: If objects high in the sky are distorted or wavy, you are probably viewing on a very humid night.) During nights of unstable atmosphere, viewing through a telescope can be frustrating if not impossible. Astronomers refer to crisp, clear nights as nights of "good seeing."

GETTING STARTED WITH YOUR NEW TELESCOPE

1. First choose a target to view. Any bright object in the night sky is a good starting point. One of the favorite starting points in astronomy is the moon. This is an object sure to please any budding astronomer or experienced veteran. When you have developed proficiency at this level, other objects become good targets. Saturn, Mars, Jupiter, and Venus are good second steps to take.

The Moon--a wonderful view of our lunar neighbor can be enjoyed with any magnification. Try viewing at different phases of the moon. Lunar highlands, lunar maria (lowlands called "seas" for their dark coloration), craters, ridges and mountains will astound you.

Saturn--even at the lowest power you should be able to see Saturn's rings and moons. This is one of the most satisfying objects in the sky to see simply because it looks like it does in pictures. Imagine seeing what you've seen in textbooks or NASA images from your backyard!

Jupiter--the largest planet in our solar system is spectacular. Most noted features are its dark stripes or bands both above and below its equator. These are the north and south equatorial belts. Also interesting are Jupiter's four major moons. Pay close attention to their positions from night to night. They appear to be lined up on either side of Jupiter.

Mars--The Great Red Planet appears as a reddish-orange disk. Look at different times of the year and try to catch a glimpse of the white polar ice caps.

Venus--just like the moon, Venus changed phases from month to month. Some views of brilliant Venus appear as if you were looking at a distant crescent moon.

Nebulae--The Great Orion Nebula is a very well known night sky object. This and many others are brought to you by this telescope.

Star Clusters--View millions of stars densely packed in a cluster that resembles a ball.

Galaxies--One of the greatest and most interesting galaxies is our neighbor the Andromeda Galaxy. Enjoy this and many others.

And much, much, more!

While this manual is intended to assist you in the set-up and basic use of this instrument, it does not cover everything you might like to know about astronomy. For objects other than stars and constellations, a basic guide to astronomy is a must. A list of recommended guides may be found on our website at www.bushnell.com. The website also lists current events in the sky for suggested viewing.

GETTING STARTED WITH YOUR NEW TELESCOPE

2. After setting up the telescope and selecting something to view, center the desired object in the finderscope. Provided you did a reasonable job aligning the finderscope, a quick look through the main telescope tube at low power should reveal the same image. With the lowest power eyepiece (the one with the largest number printed on it) you should be able to focus the same image that you saw through the finderscope. Avoid the temptation to move directly to the highest power. The low power eyepiece will give you a wider field of view, and brighter image--thus making it very easy to find your target object. At this point with a focused image in both scopes, you've passed the first obstacle. If you don't see an image after attempting to focus it in, you might consider aligning your finderscope again. Once you pass this step, you'll will enjoy the time spent ensuring a good alignment. Every object you center in the finderscope will be easily found in the main telescope tube, which is important for continuing your exploration of the night sky.

3. The low power eyepieces are perfect for viewing the full moon, planets, star clusters, nebulae, and even constellations. These should build your foundation. However, for more detail, try bumping up in magnification to higher power eyepieces on some of these objects. During calm and crisp nights, the light/dark separation line on the moon (called the "Terminator") is marvelous at high power. You can see mountains, ridges and craters jump out at you due to the highlights. Similarly, you can move up to higher magnifications on the planets and nebulae. Star clusters and stars are best viewed through the low power no matter what.

4. The recurring astronomical theater we call the night sky is an ever-changing billboard. In other words, not the same movie plays all the time. Rather, the positions of the stars change not only hourly as they seem to rise and set, but also throughout the year. As the earth orbits the sun our perspective on the stars changes on a yearly cycle about that orbit. The reason the sky seems to move daily just as the sun and the moon "move" across our sky, is that the earth is rotating about its axis. As a result you may notice that after a few minutes or a few seconds depending on what power you are viewing at, the objects in your telescope will move. At higher magnifications especially, you will notice that the moon or Jupiter will "race" right out of the field of view. To compensate, just move the fine adjustment controls on your telescope to "track" it in the necessary path.

NOTES

WARRANTY / REPAIR

TELESCOPE LIFETIME LIMITED WARRANTY

Your Bushnell® telescope is warranted to be free of defects in materials and workmanship for the lifetime of the original owner. The Lifetime Limited Warranty is an expression of our confidence in the materials and mechanical workmanship of our products and is your assurance of a lifetime of dependable service.

If your telescope contains electrical components, these components are warranted to be free of defects in materials and workmanship for two years after the date of purchase.

In the event of a defect under this warranty, we will, at our option, repair or replace the product, provided that you return the product postage prepaid. This warranty does not cover damages caused by misuse, improper handling, installation, or maintenance provided by someone other than a Bushnell Authorized Service Department.

Any return made under this warranty must be accompanied by the items listed below:

- 1) A check/money order in the amount of \$15.00 to cover the cost of postage and handling
- 2) Name and address for product return
- 3) An explanation of the defect
- 4) Proof of Date Purchased
- 5) Product should be well packed in a sturdy outside shipping carton, to prevent damage in transit, with return postage prepaid to the address listed below:

IN U.S.A. Send To:

Bushnell Outdoor Products
Attn.: Repairs
8500 Marshall Drive
Lenexa, Kansas 66214

IN CANADA Send To:

Bushnell Outdoor Products
Attn.: Repairs
25A East Pearce Street, Unit 1
Richmond Hill, Ontario L4B 2M9

For products purchased outside the United States or Canada please contact your local dealer for applicable warranty information. In Europe you may also contact Bushnell at:

Bushnell Germany GmbH
European Service Centre
Mathias-Brüggen-Str. 80
D-50827 Köln
GERMANY
Tel: +49 221 995568-0
Fax: +49 221 995568-20

This warranty gives you specific legal rights.
You may have other rights which vary from country to country.
©2010 Bushnell Outdoor Products

Nous vous félicitons pour l'achat de votre télescope Bushnell Voyager avec Tour du Ciel. Ce télescope est réellement l'instrument d'initiation suprême. Le combiné Tour du Ciel est parlant et propose une visite personnelle en temps réel du ciel nocturne, nuit après nuit. Pour chaque objet de la visite, des coordonnées sont fournies afin de le trouver rapidement dans le ciel avec le télescope.

Après avoir lu ce manuel et préparé votre séance d'observation suivant les indications des pages qui suivent, vous pourrez commencer à utiliser la fonction Tour du Ciel de la manière suivante :

Après avoir introduit 3 piles AA, tenez le bouton « Constellation » enfoncé (le bouton supérieur gauche du groupe de quatre boutons) jusqu'à ce que le combiné Tour du Ciel se mette à parler et vous invite à le configurer.

Pour déterminer votre latitude et votre longitude, veuillez consulter une carte de votre région ou connectez-vous sur le site Bushnell pour obtenir de l'aide (www.bushnell.com).

Une fois que la configuration est terminée et que le combiné a confirmé la sauvegarde des paramètres, éteignez l'appareil. Pour commencer à utiliser le combiné, tenez le bouton Constellation enfoncé jusqu'à ce que l'appareil se rallume.

Vos paramètres de configuration sont conservés durablement à condition de ne pas enlever les piles. Ceci vous permet de profiter immédiatement du Tour du Ciel chaque fois que vous l'utilisez depuis le même point d'observation. Si vous avez changé de lieu d'observation, vous pouvez modifier vos paramètres en tenant le bouton « Mythologie » enfoncé (au lieu du bouton « Constellation ») pour allumer le combiné. Ensuite, suivez simplement les instructions parlées.

Nous vous souhaitons de nombreuses années de plaisir avec ce télescope.



**N'OBSERVEZ JAMAIS DIRECTEMENT LE
SOLEIL AVEC LE TÉLESCOPE, SOUS PEINE DE
LÉSIONS IRRÉVERSIBLES DES YEUX**



INTERFACE DU COMBINÉ TOUR DU CIEL

1. Bouton **Constellation** (met également l'appareil en MARCHE lorsqu'il est tenu enfoncé)
2. Bouton **Mythologie** (met également l'appareil en mode CONFIGURATION depuis le mode éteint lorsqu'il est tenu enfoncé)
3. Bouton **Le saviez-vous ?**
4. Bouton **Planètes**
5. Bouton **Précédent** (permet également de baisser le volume s'il est tenu enfoncé pendant que le combiné parle)
6. Bouton **Suivant** (permet également d'augmenter le volume s'il est tenu enfoncé pendant que le combiné parle)



FONCTIONS DES BOUTONS

TOUS LES BOUTONS SONT ILLUMINÉS POUR L'UTILISATION DE NUIT.

Le bouton du mode **Constellation** offre une visite de nombreuses constellations bien connues et fournit des informations de base sur chacune d'elles, notamment des conseils pour les repérer et naviguer à travers la région environnante, ainsi que des renseignements spécifiques sur les étoiles et autres objets particuliers qu'elles contiennent.

Le bouton du mode **Mythologie** permet d'écouter des histoires et légendes anciennes afin de comprendre l'origine de la représentation et du nom des constellations.

Le bouton du mode **Le saviez-vous ?** offre des informations étonnantes sur chaque constellation, notamment la distance de ses étoiles, leur dimension ou autres renseignements dignes d'intérêt.

Le bouton du mode **Planètes** offre une visite guidée des planètes.

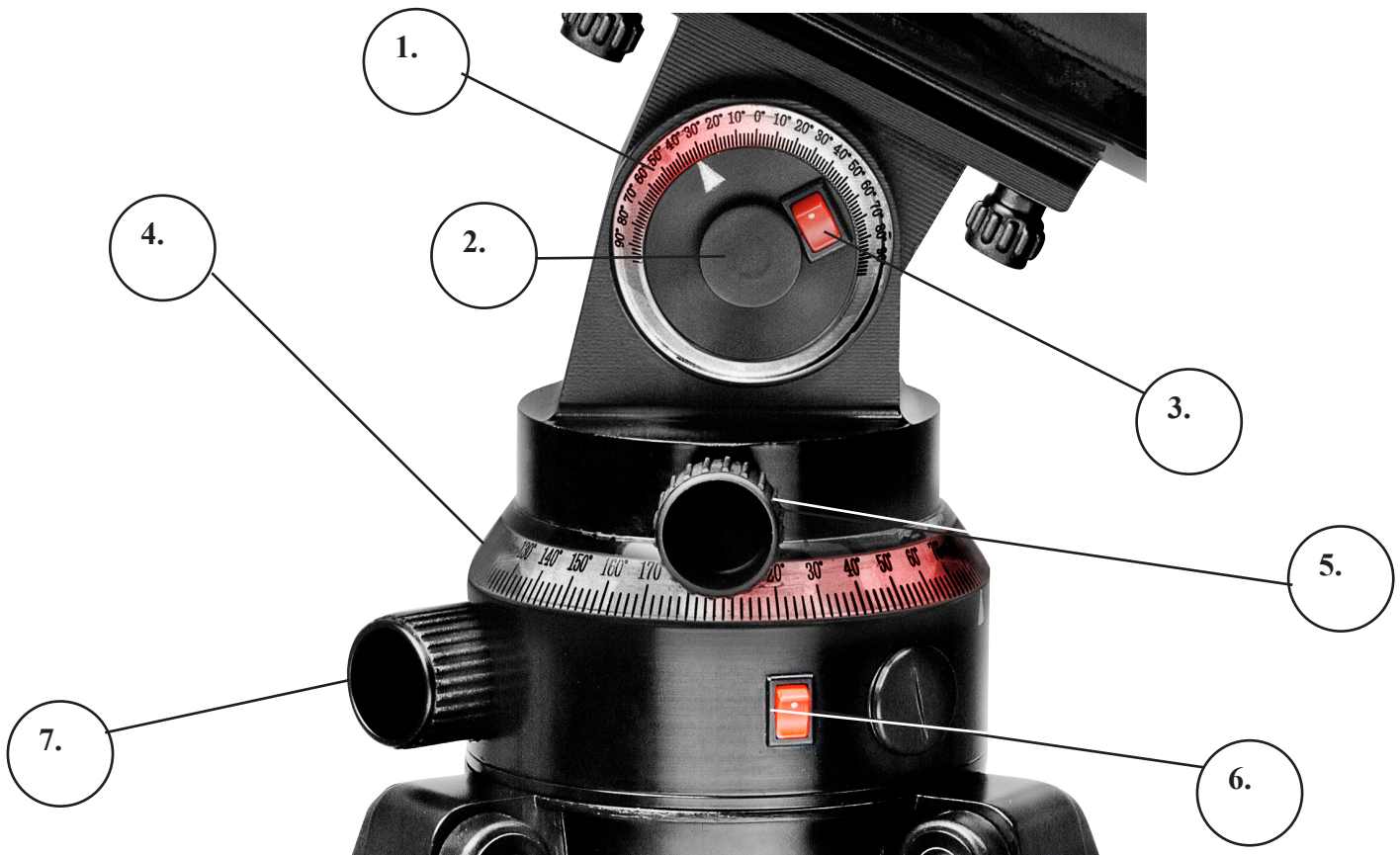
Remarque : Pour profiter au maximum du Tour du Ciel (en mode Constellation, par exemple), il est conseillé d'écouter la totalité des commentaires avant de passer à autre mode. Chaque fois qu'on passe dans un autre mode, de nouvelles informations sont fournies, mais il est possible que tout n'ait pas été entendu dans le mode précédent, à moins de continuer à appuyer sur le bouton Suivant jusqu'à ce que le commentaire se répète.

Appuyez sur un bouton de mode plusieurs fois de suite pour passer successivement aux objets suivants dans ce mode.

Le combiné s'éteint automatiquement au bout d'un certain temps afin d'économiser les piles. Toutefois, l'éclairage de la monture et le chercheur à point rouge doivent être éteints manuellement.

NOMENCLATURE DES PIÈCES - TOUS MODÈLES

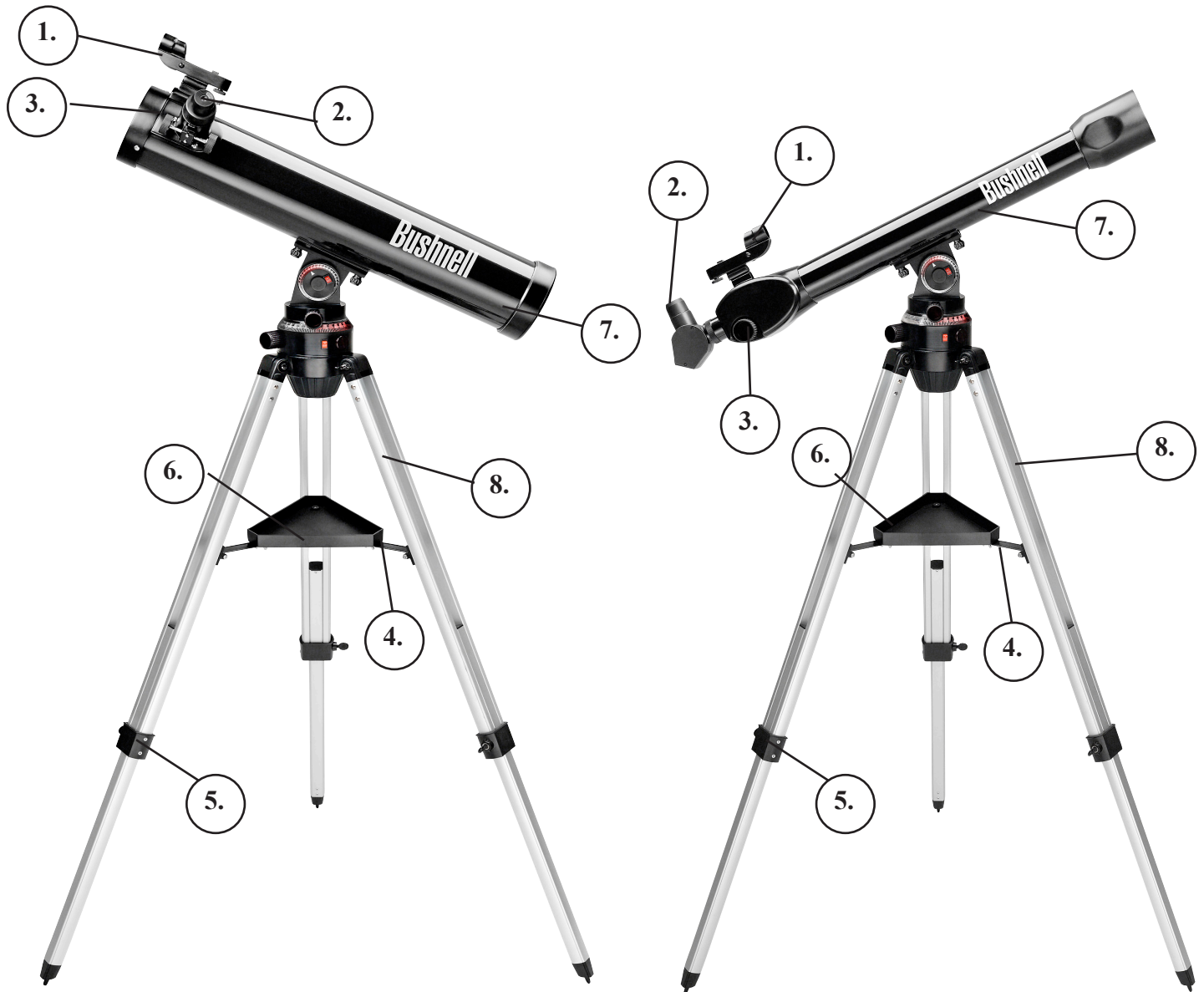
1. Chercheur à point rouge
2. Oculaires de format 1,25" (31,7 mm)
3. Monture de télescope lumineuse fixée sur trépied en aluminium réglable
4. Miroir diagonal (réfracteurs seulement)
5. Oculaire redresseur 1,5x (certains modèles seulement)
6. Combiné Tour du Ciel
7. Tube de télescope principal
8. Boussole
9. Lentille Barlow (certains modèles seulement)



Pièces de la monture de télescope

- | | |
|---|---|
| 1. Cadran d'altitude lumineux | 5. Molette de verrouillage de l'azimut |
| 2. Molette de verrouillage de l'altitude (au dos) | 6. Interrupteur d'éclairage du cadran d'azimut |
| 3. Interrupteur d'éclairage du cadran d'altitude | 7. Molette de réglage fin de l'azimut (s'utilise uniquement lorsque la molette de verrouillage de l'azimut est engagée) |
| 4. Cadran d'azimut lumineux | |

PRINCIPAUX ÉLÉMENTS DU TÉLESCOPE



78-9930/78-9945

78-9960/78-9970

Légende des composants du télescope

- | | |
|---------------------------------------|--|
| 1. Chercheur à point rouge | 5. Réglage de jambe de trépied |
| 2. Oculaire de format 1,25" (31,7 mm) | 6. Plateau à accessoires à fixation rapide |
| 3. Mise au point à crémaillère | 7. Tube de télescope principal |
| 4. Support de plateau à accessoires | 8. Trépied en aluminium réglable |

ASSEMBLAGE

L'assemblage du télescope ne nécessite aucun outillage.

Sortez tous les éléments du carton et identifiez toutes les pièces. Il est conseillé d'étaler toutes les pièces devant vous avant l'assemblage. Ce télescope est un appareil optique de précision et ses pièces doivent être manipulées avec précaution — en particulier le combiné Tour du Ciel, la lunette, les oculaires et divers accessoires.

Montage du trépied et du plateau à accessoires

1. Dressez la monture lumineuse Voyager avec son trépied fixé sur une surface horizontale. Écartez les jambes du trépied jusqu'à leur position maximale.
2. Abaissez les supports de plateau et posez le plateau à accessoires à fixation rapide sur les supports.
3. Introduisez la vis de fixation du plateau à accessoires à travers le centre des supports et serrez.
4. Pour régler la hauteur du trépied selon les besoins, desserrez les vis de réglage des jambes de trépied et allongez les jambes jusqu'à la hauteur souhaitée. Resserrez les vis de réglage des jambes de trépied.

Pose du tube de télescope

1. Repérez le tube de télescope principal.
2. Enlevez les écrous des deux boulons dépassant par le dessous du tube de télescope.
3. Posez le tube de télescope sur la monture lumineuse en passant les deux boulons de fixation à travers les deux trous correspondants sur la monture.
4. Revissez et serrez les écrous sur les boulons du tube de télescope.

Pose des autres accessoires du télescope

1. Repérez le chercheur à point rouge.
2. Posez le chercheur sur sa patte de fixation au sommet du tube de télescope, près du mécanisme de mise au point.
3. Glissez le chercheur vers l'avant jusqu'à ce qu'il soit solidement fixé. Le grand côté du chercheur doit être tourné vers le côté ouvert du tube de télescope.
4. Posez l'oculaire de faible grossissement.
 - a. Sur les télescopes réflecteurs, introduisez l'oculaire directement dans le mécanisme de mise au point du tube.
 - b. Sur les télescopes réfracteurs, introduisez l'oculaire dans le miroir diagonal, puis introduisez le miroir diagonal dans le mécanisme de mise au point.
5. Serrez toutes les vis de calage pour fixer les accessoires

LENTILLES ACCESSOIRES

Lentille Barlow (certains modèles)

Certains modèles Voyager avec Tour du Ciel sont fournis avec une lentille Barlow. Cet accessoire permet une double utilisation de tout oculaire. Il suffit de placer la lentille Barlow entre le mécanisme de mise au point et l'oculaire sur les télescopes de type réflecteur ou entre le mécanisme de mise au point et le miroir sur les télescopes de type réfracteur. En fonction de la valeur indiquée sur la lentille Barlow, l'utilisation de cet accessoire peut doubler, voire tripler, le grossissement de l'oculaire. Gardez à l'esprit qu'il est toujours conseillé d'utiliser un oculaire de faible grossissement, mais qu'un grossissement plus fort convient bien pour les objets les plus grands et lumineux tels que la lune et les planètes.

ASSEMBLAGE (SUITE)

LENTILLES ACCESSOIRES-SUITE

Lentille redresseuse 1,5X (certains modèles seulement)

Cet accessoire permet d'observer des objets sur terre tels qu'on les verrait naturellement à l'œil nu. Pour utiliser cet accessoire, il suffit de placer la lentille redresseuse entre l'oculaire et le mécanisme de mise au point du télescope.

MISE AU POINT DU TÉLESCOPE

1. Après avoir choisi l'oculaire souhaité, pointez le tube de télescope principal vers une cible terrestre éloignée d'au moins 200 mètres (un poteau de téléphone ou un bâtiment, par ex.). Tournez le mécanisme à crémaillère de manière à sortir le tube de mise au point au maximum.
2. Tout en regardant à travers l'oculaire, rétractez lentement le tube de mise au point en tournant le mécanisme à crémaillère jusqu'à ce que l'objet devienne net.

ALIGNEMENT DU CHERCHEUR

1. Regardez à travers le tube de télescope principal et visez une cible bien définie (voir la section Mise au point du télescope).
2. En regardant à travers le chercheur, serrez en alternance chacune des vis de réglage du chercheur jusqu'à ce que le centre du chercheur soit précisément placé sur l'objet qui est également au centre du champ de vision de l'optique principale.
3. À présent, les objets repérés initialement à l'aide du chercheur sont également centrés dans le champ de vision de l'optique principale.

MISE EN PLACE DES PILES

Le combiné Tour du Ciel est alimenté par 3 piles AA (non fournies) qui se mettent en place comme dans la majorité des télécommandes.

La monture lumineuse Voyager est alimentée par deux piles boutons CR1620 (fournies). Pour mettre ces piles en place, ouvrez le capuchon de pile situé à côté de l'interrupteur d'éclairage de cadran.

 **N'OBSERVEZ JAMAIS DIRECTEMENT LE
SOLEIL AVEC LE TÉLESCOPE, SOUS PEINE DE
LÉSIONS IRRÉVERSIBLES DES YEUX** 

1. Installez le télescope assemblé sur une surface plane stable. Un jardin est préférable à une terrasse.
2. Appuyez sur les deux interrupteurs d'éclairage de cadran afin d'éclairer la monture.
3. Alignez correctement le télescope sur la direction « 0 » de la boussole fournie. Le télescope s'oriente dans cette direction de la manière suivante (voir la nomenclature des pièces de la monture à la page d'illustration des pièces) :
 - a. Trouvez la flèche-repère noire, placée directement sous le cadran d'azimut sur la monture.
 - b. Déplacez le trépied (ou le télescope complet) jusqu'à ce que cette flèche pointe dans la direction indiquée par « 0 » sur la boussole.
 - c. Desserrez la molette de verrouillage de l'azimut et faites tourner le télescope de manière à l'aligner avec la flèche-repère (et le « 0 » de la boussole). Sur les télescopes réfracteurs, la grande lentille de la lunette doit être pointée dans la même direction que la flèche-repère. Sur les télescopes réflecteurs, le côté « ouvert » du tube de télescope doit pointer dans cette direction.
 - d. Enfin, avec la molette de verrouillage de l'azimut toujours desserrée, faites tourner le cadran d'azimut de manière à aligner le « 0 » du cadran avec la flèche-repère, le tube de télescope et la direction « 0 » de la boussole.
4. Mettez le combiné Tour du Ciel en marche en tenant le bouton « Constellation » enfoncé.
 - a. S'il s'agit de la première installation du système, le combiné vous demande d'indiquer la date, l'heure et les coordonnées du lieu d'observation. Une fois configuré, le combiné Tour du Ciel conserve ces données jusqu'à ce que les piles soient changées. Pour déterminer votre latitude et votre longitude, veuillez consulter une carte de votre région ou connectez-vous sur le site Bushnell pour obtenir de l'aide (www.bushnell.com).
 - b. Une fois que le combiné Tour du Ciel est configuré sur le lieu et l'heure locale, il vous indiquera automatiquement l'heure courante et les objets que vous pourrez observer la nuit même.
5. Choisissez le mode de fonctionnement souhaité en appuyant sur le bouton correspondant : Constellations, Mythologie, Le saviez-vous ? ou Planètes.
6. Le combiné Tour du Ciel vous indique alors une valeur d'altitude (sur le cadran du haut) et une valeur d'azimut (sur le cadran du bas) correspondant à l'objet choisi pour le tour.
7. Pour faire répéter ces valeurs, il suffit d'appuyer sur le bouton Précédent.
8. Réglez l'altitude et l'azimut du télescope en reportant sur les cadrans les valeurs indiquées par le combiné et le télescope sera pointé sur l'objet du tour !
9. Continuez à appuyer sur le bouton Suivant pour écouter les informations du mode choisi jusqu'à ce que le commentaire commence à se répéter, puis sélectionnez un autre mode.
10. Il n'est pas nécessaire d'écouter l'ensemble des commentaires dans chaque mode, vous pouvez passer d'un mode à l'autre si vous le souhaitez.
11. Chaque fois que vous sélectionnez un nouveau mode, les coordonnées sont fournies pour le premier objet de chaque mode. Réorientez simplement le télescope pour observer l'objet concerné et écoutez les commentaires correspondants.
12. Le mode Planètes est un mode unique offrant des informations de base sur les cinq planètes les plus brillantes et sur la lune.
13. Une fois que vous avez fini d'écouter les commentaires de chaque mode, vous pouvez passer à l'objet suivant du tour en appuyant une seconde fois sur le mode souhaité. Ceci fait passer le combiné à l'objet suivant du tour.
14. Si vous le souhaitez, le télescope et le combiné peuvent également être utilisés séparément.

- Votre télescope est un instrument très sensible. Pour obtenir les meilleurs résultats et réduire les vibrations, installez le télescope sur une surface plane à même la terre, plutôt que sur le béton d'une allée de garage ou sur une terrasse en bois. Il en résulte un support d'observation plus stable, en particulier lorsque si vous attirez les foules avec votre nouveau télescope.
- Autant que possible, observez depuis un endroit présentant relativement peu d'éclairages artificiels. Ceci permet de voir des objets beaucoup moins lumineux. Vous serez surpris de constater tout ce qu'on observe en plus depuis le bord d'un lac ou un parc, plutôt que depuis une arrière-cour en ville.
- Il n'est JAMAIS conseillé d'utiliser le télescope à travers une fenêtre.
- Autant que possible, observez des objets hauts dans le ciel. Attendez que l'objet s'élève bien au-dessus de l'horizon pour obtenir une image plus nette et lumineuse. Les objets sur l'horizon sont observés à travers plusieurs couches d'atmosphère terrestre. Vous êtes-vous déjà demandé pourquoi la lune est orange lorsqu'elle descend à l'horizon ? C'est parce que vous la voyez à travers une épaisseur d'atmosphère beaucoup plus importante qu'à la verticale (remarque : si des objets hauts dans le ciel apparaissent déformés ou ondulants, c'est que l'air est probablement très humide). Les nuits où l'atmosphère est instable, l'observation astronomique peut s'avérer frustrante, voire impossible. Pour les astronomes, les meilleures observations se font les nuits de temps clair et sec.

1. Choisissez d'abord la cible à observer. Tout objet brillant dans le ciel nocturne constitue un bon point de départ. L'un des points de départ les plus populaires en astronomie est la lune. C'est un objet qui ne manque jamais de plaire à l'astronome débutant comme à l'observateur expérimenté. Une fois que vous avez développé vos compétences à ce niveau, d'autres objets deviennent des cibles intéressantes. Saturne, Mars, Jupiter et Vénus constituent une bonne seconde étape.

La Lune - elle offre des vues magnifiques à tout grossissement. Essayez de l'observer à différentes phases de son cycle. Les plateaux, Maria lunaires (plaines qualifiées de « mers » en raison de leur couleur sombre), cratères, crêtes et montagnes sont fascinants.

Saturne - même au plus faible grossissement, vous devriez être en mesure de voir les anneaux et les lunes de Saturne. C'est l'un des objets célestes les plus satisfaisants à observer parce qu'il apparaît comme sur les photos. Imaginez que vous pouvez observer ce qu'on voit d'habitude dans les livres ou sur les images de la NASA, simplement depuis votre jardin !

Jupiter - la plus grosse planète de notre système solaire est spectaculaire. Ses caractéristiques les plus remarquables sont les stries ou bandes sombres de part et d'autre de son équateur. Il s'agit des ceintures équatoriales nord et sud. Les quatre principales lunes de Jupiter sont également dignes d'intérêt. Observez leurs positions avec attention d'une nuit à l'autre. Elles paraissent alignées de part et d'autre de Jupiter.

Mars - la « grande planète rouge » a l'aspect d'un disque rouge orangé. Observez-la à différents moments de l'année pour essayer d'apercevoir les calottes polaires blanches.

Vénus - tout comme la lune, les phases de Vénus évoluent au fil des mois. Certaines vues de cette brillante planète ressemblent à un distant croissant de lune.

Nébuleuses - la Grande nébuleuse d'Orion est un objet céleste très connu. Ce télescope la met à votre portée, ainsi que de nombreuses autres.

Amas d'étoiles - des millions d'étoiles étroitement regroupées dans un amas ayant l'aspect d'une boule.

Galaxies - l'une des galaxies les plus belles et les plus intéressantes est notre voisine, la galaxie d'Andromède. Vous pourrez l'observer, ainsi que de nombreuses autres.

Et beaucoup, beaucoup plus encore !

Bien que le manuel ait pour objet de vous aider dans l'installation et l'utilisation de base de cet instrument, il ne couvre pas nécessairement tout ce que vous souhaiteriez savoir en matière d'astronomie.

Pour les objets autres que les étoiles et les constellations, un guide d'astronomie élémentaire est indispensable.

Vous trouverez une liste de guides conseillés sur notre site Web à www.bushnell.com. Notre site affiche également une liste d'événements actuels pouvant être observés.

2. Après avoir installé le télescope et choisi un objet à observer, visez l'objet souhaité à l'aide du chercheur. Si vous avez raisonnablement bien aligné le chercheur, un coup d'œil à travers le télescope principal à faible grossissement doit révéler la même vue. Avec l'oculaire de plus faible grossissement (celui portant la valeur la plus élevée), vous devriez être en mesure de focaliser la même image que celle vue à travers le chercheur. Évitez de vouloir passer directement au plus fort grossissement. L'oculaire de faible puissance offre un champ de vision plus large et une image plus lumineuse, ce qui permet de trouver plus facilement l'objet cible. Une fois que vous avez une image nette à travers les deux optiques, le premier obstacle est franchi. Si vous ne voyez rien après avoir tenté de mettre au point, il peut être nécessaire de réaligner le chercheur. Une fois cette opération réussie, le temps passé à assurer un bon alignement n'aura pas été perdu. Tout objet centré dans le chercheur sera aisément retrouvé à travers le tube de télescope principal, ce qui est essentiel à la poursuite de votre exploration du ciel nocturne.

3. Les oculaires de faible puissance sont parfaits pour observer la pleine lune, les planètes, les amas d'étoiles, les nébuleuses, voire même les constellations. Ils vous permettront de bâtir vos connaissances de base. Toutefois, pour observer plus en détail, essayez de passer à des oculaires plus puissants sur certains de ces objets. Durant les nuits claires et dégagées, la zone de démarcation claire/obscur de la lune (appelée « terminateur ») est extraordinaire aux forts grossissements. Vous y verrez les montagnes, falaises et cratères avec un relief saisissant sous l'effet de l'éclairage. Vous pouvez également passer à de plus forts grossissements sur les planètes et les nébuleuses. Pour observer les amas d'étoiles et les étoiles, par contre, il est toujours préférable d'utiliser un faible grossissement.

4. Le théâtre astronomique quotidien qu'est notre ciel nocturne propose un programme sans cesse renouvelé. En d'autres termes, ce n'est jamais le même spectacle qui est proposé. Au contraire, la position des étoiles change non seulement d'une heure à l'autre, alors qu'elles semblent se lever et se coucher, mais aussi tout au long de l'année. À mesure que la terre tourne autour du soleil, notre perspective du ciel évolue suivant un cycle annuel le long de cette orbite. Si le ciel semble se déplacer au quotidien, tout comme le soleil et la lune « traversent » notre ciel, c'est que la terre tourne sur son axe. Vous remarquerez ainsi comment les objets se déplacent dans le télescope en l'espace de quelques minutes, voire de quelques secondes selon le grossissement. Aux forts grossissements en particulier, vous verrez à quelle allure la lune ou Jupiter sortent du champ de vision. Pour compenser, il suffit d'ajuster les molettes de réglage fin du télescope de manière à « suivre » la trajectoire de l'objet.

NOTES

GARANTIE / RÉPARATIONS

GARANTIE À VIE LIMITÉE SUR LE TÉLESCOPE

Votre télescope Bushnell® est garanti pièces et main-d'œuvre pendant la durée de vie du propriétaire initial. La Garantie à vie limitée témoigne de la confiance que nous plaçons dans les pièces et la fabrication mécanique de nos produits et vous assure toute une vie de service fiable.

Si votre télescope contient des composants électriques, ces composants sont garantis pièces et main-d'œuvre pendant deux ans à compter de la date d'achat.

Dans l'éventualité d'un défaut couvert par la garantie, nous réparerons ou changerons le produit, à notre entière discrétion, à condition qu'il nous soit renvoyé en port payé. Cette garantie ne couvre pas les dommages causés par une utilisation abusive, une mauvaise manipulation, l'installation ou un entretien effectué autrement que par un service de réparation agréé par Bushnell.

Tout renvoi effectué sous couvert de la présente garantie doit être accompagné des pièces ci-dessous :

- 1) Chèque/mandat d'un montant de 15,00 \$ pour couvrir les frais d'affranchissement et de manutention
- 2) Nom et adresse du destinataire pour le renvoi du produit
- 3) Description du problème
- 4) Justificatif de la date d'achat
- 5) Le produit doit être correctement emballé dans un robuste carton d'emballage extérieur afin d'éviter tout dommage durant le transport et renvoyé en port payé à l'adresse ci-dessous :

Aux ÉTATS-UNIS, envoyer à :
 Bushnell Outdoor Products
 Attn.: Repairs
 8500 Marshall Drive
 Lenexa, Kansas 66214

Au CANADA, envoyer à :
 Bushnell Outdoor Products
 Attn.: Repairs
 25A East Pearce Street, Unit 1
 Richmond Hill, Ontario L4B 2M9

Pour les produits achetés en-dehors des États-Unis et du Canada, veuillez contacter votre revendeur local concernant le recours à la garantie. En Europe, vous pouvez également contacter Bushnell à :

Bushnell Germany GmbH
 European Service Centre
 Mathias-Brüggen-Str. 80
 D-50827 Köln
 GERMANY
 Tel: +49 221 995568-0
 Fax: +49 221 995568-20

Cette garantie vous confère des droits spécifiques.

Vous pouvez également bénéficier d'autres droits susceptibles de varier d'un pays à l'autre.

©2010 Bushnell Outdoor Products

¡Enhorabuena por comprar su telescopio Voyager de Bushnell con Sky Tour! Este telescopio verdaderamente es el mejor telescopio básico. El aparato Sky Tour incluye mensajes verbales, que le guiarán por todas las giras personales en tiempo real por el cielo nocturno. Cada objeto de la gira incluye las instrucciones relacionadas con éste para permitirle encontrarlo rápidamente con su telescopio.

Después de leer este manual y prepararse para su sesión de observación según se describe en estas páginas, puede empezar a disfrutar de Sky Tour haciendo lo siguiente:

Después de introducir las 3 pilas AA, pulse sin soltar el botón “Constelación” (el botón superior izquierdo en la sección de cuatro botones) hasta que el aparato Sky Tour empiece a hablar y a guiarle durante la configuración.

Para averiguar la latitud y la longitud, compruebe un mapa de su área o conéctese al sitio web de Bushnell para obtener ayuda (www.bushnell.com).

Una vez terminada la configuración, y que el aparato confirme que se han guardado sus ajustes debe apagarlo. Para empezar a usar el aparato, pulse sin soltar el botón Constelación hasta que se vuelva a encender la unidad.

Sus ajustes se conservarán durante un período largo siempre que no quite las pilas. Esto le permitirá inmediatamente disfrutar del Sky Tour todas las veces que use el mismo lugar para ver. Si se ha trasladado a un lugar de observación diferente, puede cambiar sus ajustes encendiendo el aparato con el botón “Mitología” pulsado (en vez del botón “Constelación”) y siguiendo simplemente las instrucciones habladas.

Esperamos que disfrute de este telescopio durante muchos años.



**NO MIRE NUNCA DIRECTAMENTE AL SOL
CON EL TELESCOPIO, YA QUE SE PUEDE
DAÑAR LOS OJOS DE FORMA
PERMANENTE**



CLAVE DE EMPLEO DEL APARATO SKY TOUR

1. Botón **Constelación** (también ENCIENDE la unidad al pulsarlo sin soltar)
2. Botón **Mitología** (también pone la unidad en la modalidad de CONFIGURACIÓN desde la posición de apagado cuando se pulsa sin soltar)
3. Botón **Datos curiosos**
4. Botón **Planetas**
5. Botón **Atrás** (también baja el volumen cuando se pulsa sin soltar mientras esté hablando el aparato)
6. Botón **Siguiente** (también sube el volumen cuando se pulsa sin soltar mientras esté hablando el aparato)



FUNCIONES DE LOS BOTONES

TODOS LOS BOTONES SE ILUMINAN DURANTE LA NOCHE.

El botón de la modalidad **Constelación** le permitirá hacer una gira por muchas constelaciones famosas, y le dará información básica sobre cada una, incluidas recomendaciones para localizarlas y navegar por ellas, así como información específica sobre estrellas especiales u otros objetos ubicados dentro de las mismas.

El botón de la modalidad **Mitología** le permitirá oír historias antiguas y mitos que revelan la razón por las que las constelaciones se describen y se llaman de la forma que se llaman.

El botón de la modalidad **Datos curiosos** proporciona información asombrosa relacionada con cada constelación, incluida la distancia a las estrellas, su tamaño y otros datos interesantes.

El botón de la modalidad **Planetas** le permitirá realizar una gira guiada a través de los planetas.

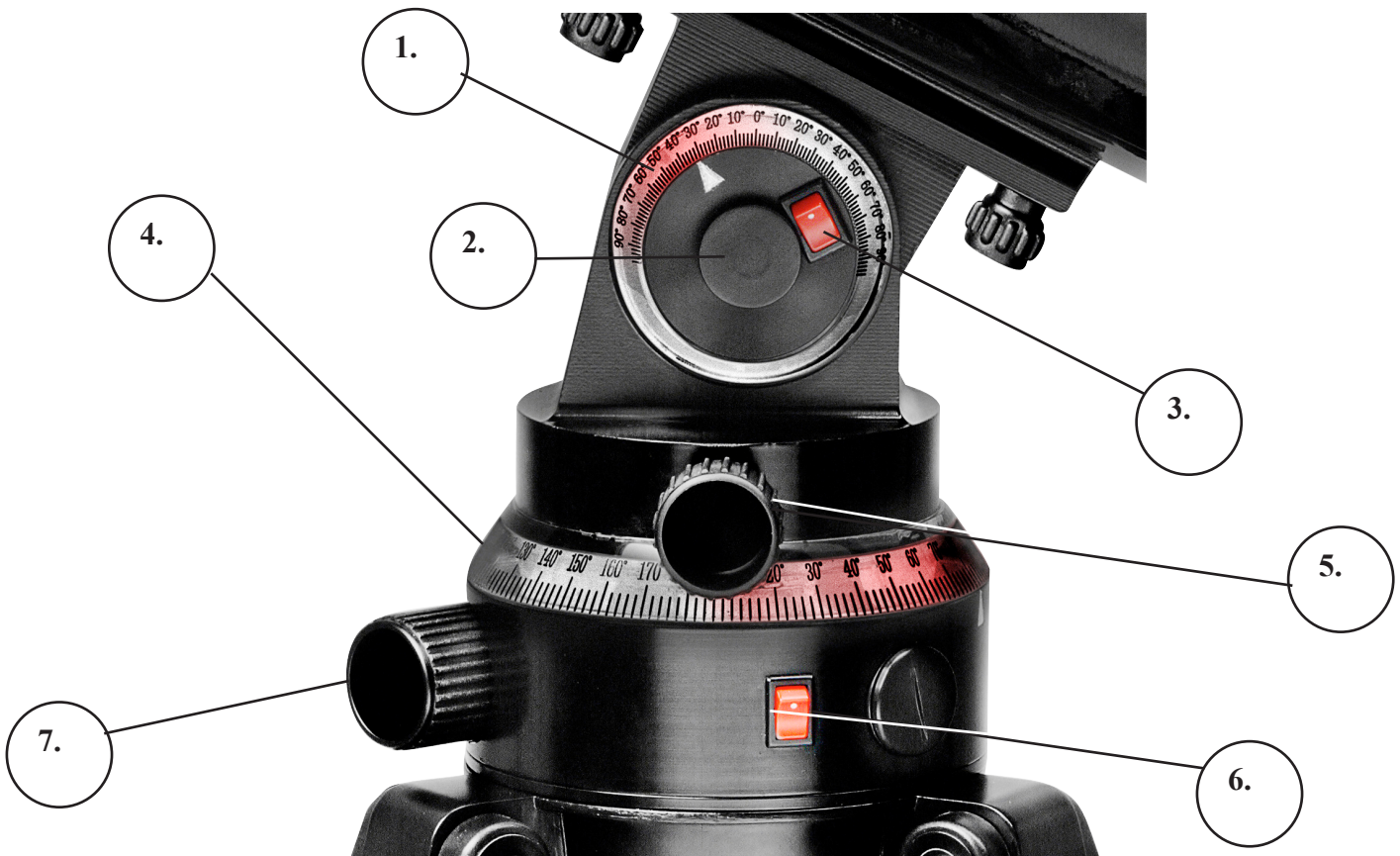
Nota: Para aprovechar al máximo el Sky Tour (por ejemplo la gira Constelación), escuche toda la información, y después pase a otra modalidad. Siempre que pase a otra modalidad, oirá más información, pero puede perderse parte de la información de la modalidad anterior a menos que continúe seleccionando siguiente para oír más información hasta que empiece a repetirse.

Al pulsar cualquier botón de modalidad más de una vez en secuencia se pasará al siguiente objeto de la gira en esa modalidad.

El aparato se apagará después de un cierto tiempo para prolongar la duración de las pilas. No obstante, la montura iluminada y la lente buscadora de punto rojo se deben apagar manualmente.

LISTA DE PIEZAS EMBALADAS-TODOS LOS MODELOS

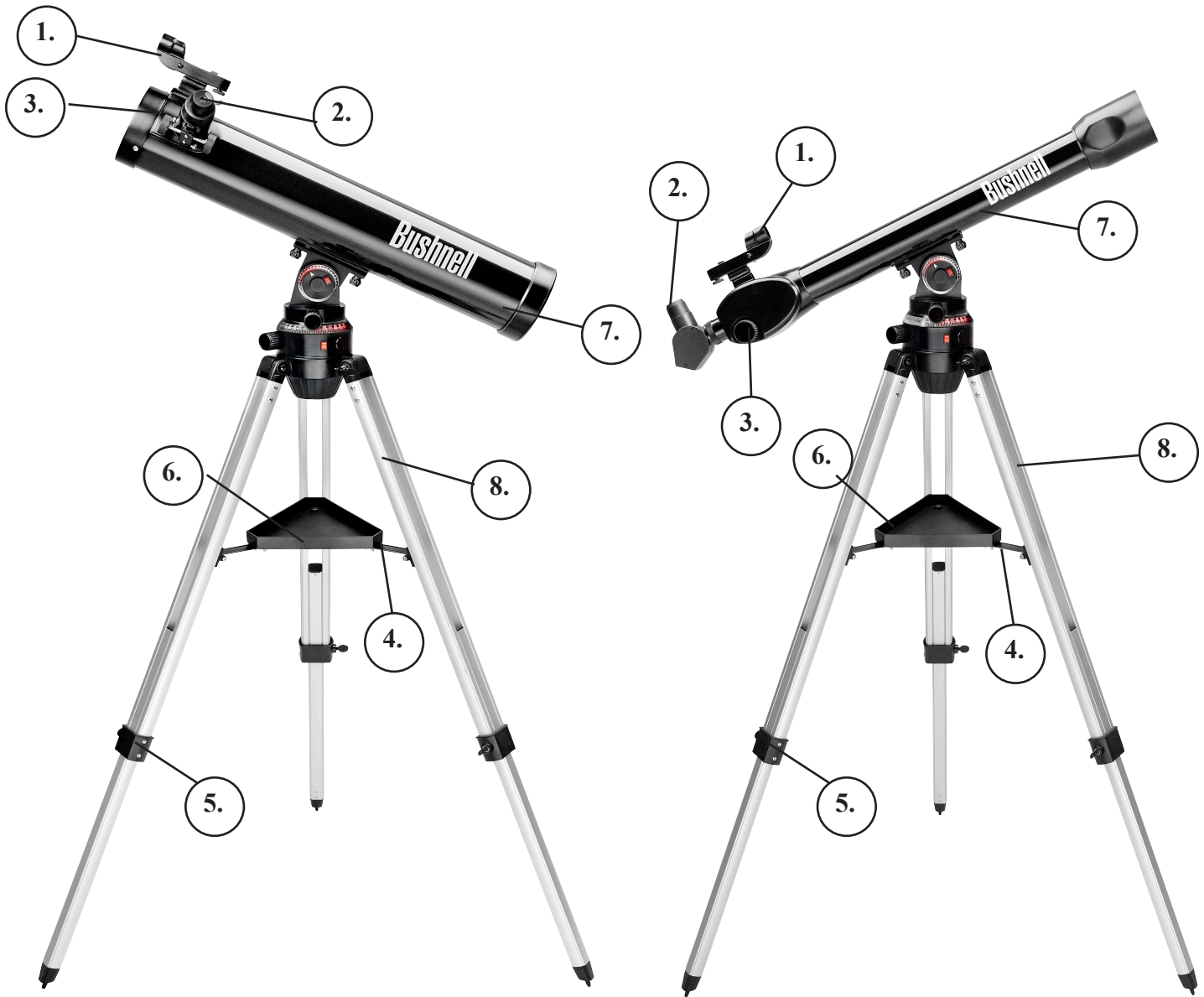
1. Lente buscadora de punto rojo
2. Oculares de formato de 1,25"
3. Montura de telescopio iluminada con trípode de aluminio ajustable
4. Espejo diagonal (refractores solamente)
5. Ocular inversor de imágenes de 1,5 aumentos (ciertos modelos solamente)
6. Aparato Sky Tour
7. Tubo principal del telescopio
8. Brújula
9. Lente Barlow (ciertos modelos solamente)



Clave de piezas de la montura del telescopio

- | | |
|--|---|
| 1. Esfera de altitud iluminada | 5. Perilla de traba de azimut |
| 2. Perilla de traba de altitud (lado trasero) | 6. Interruptor de luz de esfera de azimut |
| 3. Interruptor de la luz de la esfera de altitud | 7. Perilla de ajuste fino de azimut
(Se usa solamente cuando la perilla de traba del azimut está activada) |
| 4. Esfera de azimut iluminada | |

MAIN TELESCOPE COMPONENTS



78-9930/78-9945

78-9960/78-9970

Clave de componentes del telescopio

- | | |
|--|--|
| 1. Lente buscadora de punto rojo | 5. Ajuste de pata de trípode |
| 2. Ocular de formato de 1,25" | 6. Bandeja de accesorios de desconexión rápida |
| 3. Enfoque de cremallera y piñón | 7. Tubo principal del telescopio |
| 4. Tirante de la bandeja de accesorios | 8. Trípode ajustable de aluminio |

MONTAJE DETALLADO

No es necesario usar herramientas para montar este telescopio.

Saque todos los componentes de la caja de cartón e identifique todas las piezas. Se recomienda poner todas las piezas sobre una superficie antes del montaje. Como este telescopio es un sistema óptico de precisión, es necesario manipular los componentes con cuidado—en especial el aparato Sky Tour, telescopio, oculares y varios accesorios.

Configure el trípode y la bandeja de accesorios

1. Sobre una superficie horizontal, coloque el conjunto de montura iluminada Voyager con las patas de trípode acopladas previamente. Abra las patas del trípode hasta su posición máxima.
2. Pliegue los tirantes de la bandeja de accesorios y ponga la bandeja de desconexión rápida encima de los tirantes.
3. Introduzca el perno de la bandeja de accesorios por el centro de los tirantes de la bandeja y apriételo en el tirante.
4. Ajuste la altura del trípode deseada aflojando los pernos de ajuste de las patas del trípode y desplegando las patas hasta la altura deseada. Apriete los pernos de ajuste de las patas.

Sujete el tubo del telescopio

1. Localice el tubo principal del telescopio.
2. Quite las dos tuercas de los pernos del tubo del telescopio de los pernos que se extienden desde la parte inferior del tubo del telescopio.
3. Coloque el tubo principal del telescopio con los pernos de fijación apuntando hacia abajo por los dos orificios de la parte superior de la montura del telescopio iluminado.
4. Vuelva a sujetar las tuercas de los pernos del tubo del telescopio y apriételas.

Sujete los accesorios finales del telescopio

1. Localice la lente buscadora de punto rojo.
2. Ponga la lente buscadora sobre la oreja de sujeción correspondiente en la parte superior del tubo del telescopio, cerca del mecanismo de enfoque.
3. Deslice hacia adelante la lente buscadora hasta que quede bien asentada. El extremo grande de la lente buscadora debe apuntar al extremo abierto del tubo del telescopio.
4. Suelte el ocular de baja potencia.
 - a. Para telescopios reflectores, introduzca el ocular directamente en el mecanismo del tubo de enfoque.
 - b. Para telescopios refractores, introduzca el ocular en el espejo diagonal y después introduzca el espejo diagonal en el mecanismo del tubo de enfoque.
5. Apriete todos los tornillos de fijación para fijar los accesorios.

ACCESORIOS DE LALENTE

Lente Barlow (ciertos modelos)

Algunas unidades Voyager con Sky Tour vienen con una lente Barlow. Este accesorio le permite hacer ahora un uso doble de cualquier ocular. Ponga simplemente la lente Barlow entre el mecanismo de enfoque y el ocular para telescopios estilo reflector, o el mecanismo de enfoque y el espejo diagonal en telescopios de estilo refractor. Dependiendo de la especificación escrita en la lente Barlow, estos accesorios pueden duplicar o triplicar los aumentos del ocular cuando se use con ella. Recuerde, la potencia baja también se recomienda, pero las potencias mayores son buenas especialmente en objetos más grandes y más brillantes como la luna y los planetas.

MONTAJE DETALLADO (CONTINUACIÓN)

ACCESORIOS DE LENTE-*cont.*

Instalación de la lente de 1,5 aumentos (ciertos modelos solamente)

Este accesorio permite al usuario ver objetos en la tierra como los vería naturalmente con el ojo a simple vista. Para usar este accesorio, coloque simplemente la lente inversora de imágenes entre el ocular y el mecanismo de enfoque en su telescopio

ENFOQUE DEL TELESCOPIO

1. Después de seleccionar el ocular deseado, apunte el tubo principal del telescopio a un blanco terrestre al menos a 200 yardas (por ejemplo, un poste telefónico o edificio). Despliegue completamente el tubo de enfoque girando el mecanismo de enfoque de cremallera y piñón.
2. Mientras se mira por el ocular seleccionado, repliegue lentamente el tubo de enfoque girando el mecanismo de enfoque de cremallera y piñón hasta que se enfoque el objeto.

ALINEAMIENTO DE LA LENTE BUSCADORA

1. Mire por el tubo principal del telescopio y establezca un objetivo bien definido. (Vea la sección de enfoque del telescopio).
2. Mirando por la lente buscadora, alterne apretando el tornillo de ajuste de la lente buscadora hasta que el centro de la lente buscadora esté centrado precisamente en el mismo objeto ya centrado en el campo de visión del tubo principal del telescopio.
3. Ahora, los objetos ubicados primero con la lente buscadora también estarán centrados en el campo de visión del tubo principal del telescopio.

INSTALACIÓN DE LAS PILAS

Su aparato Sky Tour está alimentado por 3 pilas AA (suministradas por el usuario) y se instalan como se hace en la mayoría de los controladores remotos.

La montura Voyager iluminada está alimentada por dos pilas de reloj CR1620 (incluidas). Estas pilas se instalan quitando la tapa de las pilas ubicada junto a los interruptores de alimentación de esfera iluminados.

**NO MIRE NUNCA DIRECTAMENTE AL SOL
CON EL TELESCOPIO, YA QUE SE PUEDE
DAÑAR LOS OJOS DE FORMA
PERMANENTE**



CONFIGURACIÓN INICIAL Y OPERACIÓN BÁSICA

1. Configure su telescopio montado sobre una superficie horizontal estable. El jardín es mejor que la terraza,
2. Ponga en encendido ambos interruptores de esfera iluminados para iluminar la montura del telescopio.
3. Consulte la dirección indicada por "0" en la brújula incluida para alinear su telescopio debidamente. Para orientar su telescopio a la misma referencia "0", siga estos pasos (consulte la "Clave de piezas de la montura del telescopio" en la página de ilustración de piezas):
 - a. Busque la marca de flecha negra, ubicada justo debajo de la esfera del azimut en la montura.
 - b. Mueva el trípode (o todo el telescopio) hasta que la marca de flecha apunte en la dirección indicada por el "0" de la brújula.
 - c. Afloje la perilla de traba del azimut y gire el tubo del telescopio hasta que se alinee en la misma dirección que la marca de flecha (y el "0" en la brújula). En los telescopios de estilo refractor, la lente grande del objetivo debe apuntarse en el mismo sentido que la marca de flecha. En los telescopios de estilo reflector, el extremo "abierto" del tubo del telescopio debe apuntarse en este sentido.
 - d. Por último, con la perilla de traba del azimut aún aflojada, gire la esfera iluminada del azimut de modo que el "0" de la esfera esté alineado con la marca de flecha, tubo de telescopio y la orientación "0" de la brújula.
4. Encienda su aparato Sky Tour pulsando sin soltar el "botón Constelación".
 - a. Si ésta es la primera vez que lo configura, el aparato le enviará un mensaje para fijar la fecha, la hora y el lugar. Una vez configurado, su aparato Sky Tour conservará esa información hasta que se reemplacen las pilas. Para averiguar la latitud y longitud, compruebe un mapa del área o conéctese al sitio web de Bushnell para obtener ayuda (www.bushnell.com).
 - b. Una vez que su aparato Sky Tour esté fijado para su ubicación y hora, el aparato indicará automáticamente la hora local y qué objetos están disponibles para que los recorra esa noche.
5. Escoja su modalidad de operación deseada pulsando el botón correspondiente: Constelación, Mitología, Datos curiosos o Planetas.
6. El aparato Sky Tour le indicará después un número de altitud (éste corresponde a la esfera superior) y un número de azimut (éste corresponde a la esfera inferior) para la visita del objeto preferido.
7. No se preocupe si se equivoca con los números, puede repetirlos pulsando el botón atrás.
8. ¡Mueva el telescopio variando la altitud y el azimut según los números correspondientes de las esferas y el telescopio apuntará al objeto que vaya a visitar!
9. Siga pulsando el botón siguiente para oír más información para esa modalidad hasta que los datos empiecen a repetirse y después seleccione una modalidad diferente.
10. No tiene que escuchar todas las opciones en cada modalidad, puede saltar de modalidad a modalidad si quiere hacerlo.
11. Cada vez que escoja una modalidad nueva, se dan instrucciones para el primer objeto en cada modalidad. Simplemente mueva su telescopio para verlos y disfrute de la información al mismo tiempo que la comunica la voz.
12. La modalidad de Planetas es una modalidad exclusiva que le permite oír la información básica sobre los cinco planetas más brillantes y la luna.
13. Una vez que se haya acabado la gira de cada modalidad, puede avanzar al siguiente objeto de la gira pulsando la modalidad que desee por segunda vez. Esto hará avanzar el aparato a la opción siguiente de la gira.
14. Si lo desea, su telescopio y el aparato también pueden usarse de forma independiente.

- Su telescopio es un instrumento muy sensible. Para obtener los mejores resultados y menos vibraciones, fije su telescopio sobre un lugar horizontal en el terreno en vez de hacerlo en una vía de acceso de hormigón o en una plataforma de madera. Esto proporcionará una base más estable para ver, especialmente si ha atraído a una multitud con su nuevo telescopio.
- Si es posible, mire desde un lugar que tenga relativamente pocas luces. Esto le permitirá ver objetos mucho más tenues. Se sorprenderá de cuánto más podrá ver desde un lago o parque local si lo compara con lo que puede ver desde un jardín urbano.
- No se recomienda usar NUNCA el telescopio desde una ventana.
- Mire objetos que esté altos en el cielo si es posible. Al esperar a que el objeto se eleve muy por encima del horizonte se conseguirá una imagen más brillante y nítida. Los objetos del horizonte se ven a través de varias capas de la atmósfera terrestre. ¿Se ha preguntado alguna vez por qué la luna aparece de color anaranjado al ponerse en el horizonte? Es porque está mirando a través de una cantidad mucho mayor de atmósfera que la que tendría directamente por encima. (Nota: Si los objetos altos en el cielo están deformados o parecen ondulados, probablemente la noche es muy húmeda). Durante las noches de atmósfera inestable, mirar por un telescopio puede ser frustrante o imposible. Los astrónomos se refieren a las noches nítidas y claras como noches “con buena visibilidad”.

CÓMO EMPEZAR A USAR SU NUEVO TELESCOPIO

1. Escoja primero un objetivo para ver. Cualquier objeto brillante del cielo nocturno es un punto inicial bueno. Uno de los puntos iniciales favoritos en astronomía es la luna. Éste es un objeto que agrada a cualquier astrónomo principiante o veterano que tenga experiencia. Cuando haya desarrollado unos buenos conocimientos a este nivel, hay otros objetos que se convierten en buenos objetivos. Saturno, Marte, Júpiter y Venus son segundos buenos pasos para tomar.

La luna--se puede disfrutar de una vista maravillosa de la luna con cualquier número de aumentos. Trate de ver las distintas fases de la luna. Las cordilleras lunares, mares lunares (tierras bajas llamadas “mares” por su coloración oscura), cráteres, lomas y montañas le dejarán asombrado.

Saturno--incluso con la mínima potencia podrá ver los anillos y las lunas de Saturno. Es uno de los objetos del cielo que produce más satisfacción ver simplemente porque es como se ve en las fotos. ¡Imagínese ver desde su jardín lo que ha visto en las imágenes de libros de texto y de la NASA!

Júpiter--el planeta más grande de nuestro sistema solar es espectacular. Las características más notables son sus franjas o bandas oscuras por encima y por debajo de su ecuador. Se trata de las fajas ecuatoriales norte y sur. También son interesantes las cuatro lunas principales de Júpiter. Preste mucha atención a sus posiciones de una noche a otra. Parecen estar alineadas a ambos lados de Júpiter.

Marte--El gran planeta rojo tiene forma de disco de color rojo anaranjado. Mírelo en distintas épocas del año y trate de ver los casquetes polares de hielo de color blanco.

Venus--al igual que la luna, Venus cambia de fases de un mes a otro. Algunas vistas brillantes de Venus se parecen a una luna creciente distante.

Nébulas--La gran nébula Orión es un objeto muy conocido del cielo nocturno. Éste y muchos otros pueden verse por medio de su telescopio.

Cúmulos de estrellas--Vea millones de estrellas densamente empacadas en un cúmulo que se asemeja a una bola.

Galaxias--Una de las galaxias más grandes e interesantes es nuestra vecina la galaxia Andrómeda. Disfrute de ella y de muchas otras.

¡Y mucho, mucho, más!

Aunque este manual tiene como finalidad ayudarle a configurar este instrumento y a darle información básica sobre su uso, no cubre todo lo que le podría gustar saber sobre la astronomía. Para los objetos que no sean estrellas ni constelaciones, es necesaria una guía básica de astronomía. En nuestro sitio web www.bushnell.com podrá encontrar una lista de guías recomendadas. El sitio web también se indican eventos actuales en el cielo que se recomienda observar.

2. Después de configurar el telescopio y seleccionar algo para observar, centre el objeto deseado en la lente buscadora. Siempre que alinee razonablemente la lente buscadora, una mirada rápida por el tubo principal del telescopio a baja potencia debe revelar a misma imagen. Con el ocular de la mínima potencia (el que tiene el número más grande impreso en el mismo) debe poder enfocar la misma imagen que vio por la lente buscadora. Evite la tentación de pasar directamente a la máxima potencia. El ocular de baja potencia le dará un campo de visión más ancho, y una imagen más brillante--facilitando así en gran medida la localización del objeto objetivo. En este momento con una imagen enfocada en ambos telescopios, ha pasado el primer obstáculo. Si no ve una imagen después de tratar de enfocar, puede considerar nuevamente el alineamiento de su lente buscadora. Después de realizar este paso, disfrutará del tiempo invertido para asegurar un buen alineamiento. Todos los objetos que centre en la lente buscadora se encontrarán fácilmente en el tubo principal del telescopio, que es importante para seguir su exploración en el cielo nocturno.

3. Los oculares de baja potencia son perfectos para ver la luna llena, planetas, cúmulos de estrellas, nebulas e incluso constelaciones. Éstos deben formar la base. No obstante para más detalles, trate de incrementar los aumentos a oculares de mayor potencia en algunos de estos objetos. Durante las noches tranquilas y nítidas, la línea de separación clara/oscura en la luna (llamada "Terminator") es maravillosa a alta potencia. Puede ver resaltadas montañas, lomas y cráteres. Similarmente, puede incrementar los aumentos en los planetas y nebulas. La mejor forma de ver cúmulos de estrellas y estrellas es mediante una baja potencia sean cuales sean las condiciones.

4. El teatro astronómico recurrente que llamamos cielo nocturno es una valla anunciadora variable. En otras palabras, no se ve la misma película todo el tiempo. En vez de eso, las posiciones de las estrellas cambian no sólo cada hora al parecer que salen y se ponen, sino también durante todo el año. A medida que la tierra orbita el sol, nuestra perspectiva de las estrellas cambia en un ciclo anual sobre esa órbita. La razón por la que el cielo parece moverse a diario justo igual que se "mueven" el sol y la luna por el cielo, es que la tierra gira alrededor de su eje. Como consecuencia de esto puede observar que después de unos pocos minutos o unos pocos segundos dependiendo de la potencia que esté utilizando, los objetos del telescopio se moverán. Para mayores aumentos especialmente, observará que la luna o Júpiter "se desplazará" hacia la derecha fuera del campo de visión. Para compensar, simplemente mueva los controles de ajuste fino en su telescopio para "seguirlo" en la trayectoria necesaria.

NOTAS

GARANTÍA / REPARACIÓN

GARANTÍA LIMITADA DURANTE LA VIDA ÚTIL DEL TELESCOPIO

Se garantiza que el telescopio Bushnell® no tiene defectos de materiales y fabricación durante la vida del propietario original. La garantía limitada durante la vida útil del producto es una expresión de nuestra confianza en los materiales y fabricación mecánica de nuestros productos y es su seguro de una vida útil de servicio fiable.

Si su telescopio contiene componentes eléctricos, se garantiza que estos componentes no tienen defectos de materiales y fabricación durante dos años después de la fecha de compra.

En el caso de un defecto según esta garantía, repararemos o reemplazaremos el producto, a nuestra opción, siempre que devuelva el producto previo pago del franqueo. Esta garantía no cubre los daños causados por el uso indebido, manipulación indebida, instalación o mantenimiento proporcionados por alguien que no sea el departamento de servicio autorizado de Bushnell.

Cualquier devolución hecha según la garantía debe ir acompañada por los artículos indicados abajo:

- 1) Un cheque/giro postal por una cantidad de \$15,00 para cubrir el costo del franqueo y procesamiento
- 2) Nombre y dirección para la devolución del producto
- 3) Una explicación del defecto
- 4) Prueba de fecha de compra
- 5) El producto debe estar bien embalado en una caja de cartón de envío exterior fuerte para impedir daños durante el tránsito, con el franqueo de devolución pagado previamente a la dirección indicada abajo:

En EE.UU. envíe a:

Bushnell Outdoor Products
Attn.: Repairs
8500 Marshall Drive
Lenexa, Kansas 66214

En Canadá envíe a:

Bushnell Outdoor Products
Attn.: Repairs
25A East Pearce Street, Unit 1
Richmond Hill, Ontario L4B 2M9

Para productos comprados fuera de Estados Unidos o Canadá, póngase en contacto con su distribuidor local para obtener información de garantía aplicable. En Europa puede ponerse también en contacto con Bushnell en:

Bushnell Germany GmbH
European Service Centre
Mathias-Brüggen-Str. 80
D-50827 Köln
GERMANY
Tel: +49 221 995568-0
Fax: +49 221 995568-20

Esta garantía le otorga derechos legales específicos.
Puede tener otros derechos que varían de un país a otro
©2010 Bushnell Outdoor Products

Herzlichen Glückwunsch zum Kauf Ihres Bushnell Voyager-Teleskops mit Sky Tour! Dieses Teleskop ist wirklich das ultimative Einsteigermodell. Das sprechende Sky Tour-Handset führt Sie jede Nacht auf eine persönliche Echtzeit-Tour über den Nachthimmel. Zu jedem Tour-Objekt wird auch die Wegbeschreibung angegeben, damit Sie es mit Ihrem Teleskop schnell finden können.

Nachdem Sie dieses Handbuch durchgelesen und sich wie hier beschrieben auf Ihr Beobachtungserlebnis vorbereitet haben, kann der Spaß beim Nutzen der Sky Tour-Funktion folgendermaßen beginnen:

Setzen Sie zunächst 3 AA-Batterien ein und halten Sie dann die „Sternbild“-Taste (die Drucktaste oben links im 4-Tasten-Bereich) gedrückt, bis das Sky Tour-Handset zu sprechen beginnt und Sie zum Vornehmen Ihrer Einstellungen auffordert.

Ihren Längen- und Breitengrad schlagen Sie bitte auf einer Karte Ihrer Region nach oder konsultieren Sie die Bushnell-Website (www.bushnell.com).

Nachdem die Einrichtung abgeschlossen ist und das Handset das Speichern Ihrer Einstellungen bestätigt hat, schalten Sie das Gerät bitte aus. Halten Sie zur Inbetriebnahme des Handsets die „Sternbild“-Taste gedrückt, bis sich die Einheit wieder einschaltet.

Sofern Sie die Batterien nicht entfernen, bleiben Ihre Einstellungen für längere Zeit gespeichert. So können Sie immer dann, wenn Sie den Himmel von derselben Stelle aus betrachten, Ihre Sky Tour sofort beginnen. Falls Sie den Beobachtungsort gewechselt haben, können Sie Ihre Einstellungen durch Einschalten des Handsets bei gedrückter „Mythologie“-Taste (anstelle der „Sternbild“-Taste) und durch einfaches Befolgen der Sprachanweisungen ändern.

Wir hoffen, dass dieses Teleskop Ihnen viele Jahre Freude bereiten wird.



→ NIE DIREKT MIT DEM TELESKOP IN DIE
SONNE SEHEN.
← ES BESTEHT DIE GEFAHR VON BLEIBENDEN
AUGENSCHÄDEN.

SKY TOUR-HANDSET ÜBERSICHT DER BEDIENELEMENTE

1. **Sternbild**-Taste (auch zum Einschalten der Einheit durch Gedrückthalten)
2. **Mythologie**-Taste (ebenfalls zum Wechseln in den eingeschalteten Gerätemodus durch Gedrückthalten)
3. **Erstaunliche-Fakten**-Taste
4. **Planeten**-Taste
5. **Zurück**-Taste (auch zum Vermindern der Lautstärke durch Gedrückthalten bei aktiver Handset-Sprachfunktion)
6. **Vorwärts**-Taste (auch zum Erhöhen der Lautstärke durch Gedrückthalten bei aktiver Handset-Sprachfunktion)



TASTENFUNKTIONE

ALLE TASTEN SIND ZUR NÄCHTLICHEN BENUTZUNG BELEUCHTET

Mit der **Sternbild**-Modustaste können Sie sich viele bekannte Sternbilder ansehen. Dabei erhalten Sie zu jedem Sternbild die wichtigsten Informationen, z. B. Tipps, wie man sie finden und mit ihrer Hilfe navigieren kann, sowie spezifische Informationen zu besonderen Sternen oder anderen Objekten, die sich in den jeweiligen Sternbildern befinden.

Durch Drücken der **Mythologie**-Modustaste hören Sie altertümliche Geschichten und Mythen, die Aufschluss darüber geben, warum die jeweiligen Sternbilder in der entsprechenden Weise dargestellt sind und woher sie ihre Namen bekommen haben.

Durch Betätigen der **Erstaunliche-Fakten**-Modustaste erhalten Sie verblüffende Informationen zu den einzelnen Sternbildern, wie Entfernung zu bestimmten Sternen, Größe und andere interessante Angaben.

Die **Planeten**-Modustaste startet eine Planetenführung.

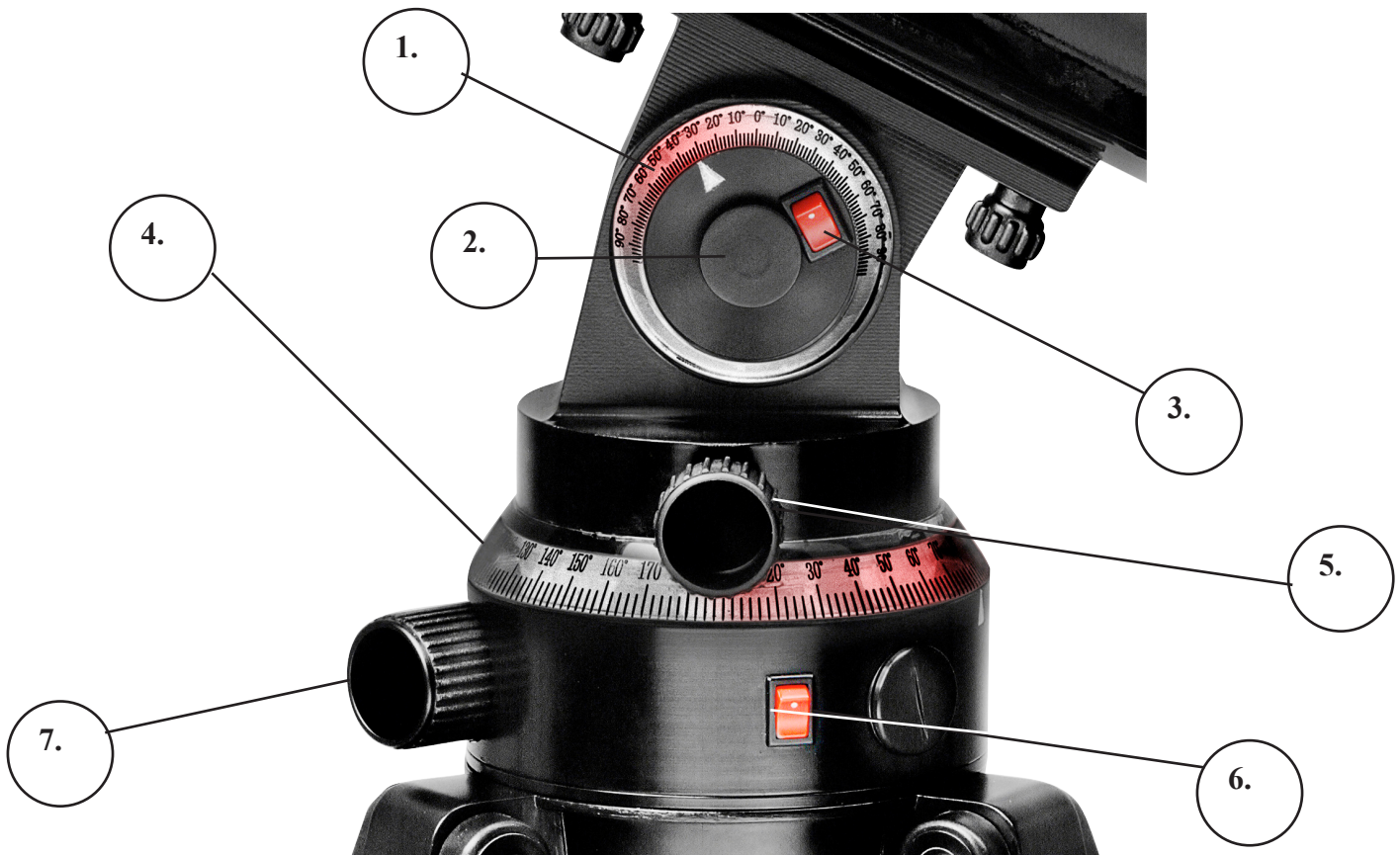
Anmerkung: Um das größtmögliche Vergnügen aus Sky Tour (z. B. der Sternbild-Tour) zu ziehen, hören Sie sich die jeweiligen Informationen bitte zunächst vollständig an und wechseln Sie erst dann in einen anderen Modus. Immer, wenn Sie in einen anderen Modus umschalten, hören Sie zwar weitere Informationen, verpassen jedoch vielleicht einige Erläuterungen des vorherigen Modus, wenn Sie in diesem nicht so lange weiter die Vorwärts-Taste drücken, bis sich die zu Informationen wiederholen beginnen.

Durch wiederholt aufeinander folgendes Drücken jeder beliebigen Modustaste gelangen Sie zum nächsten Tour-Objekt im jeweiligen Modus.

Zur Schonung der Batterien schaltet sich das Handset nach einer gewissen Zeit automatisch ab. Die beleuchtete Montierung und der Rotpunktsucher sind jedoch manuell abzuschalten.

BAUTEILSATZLISTE – ALLE MODELLE

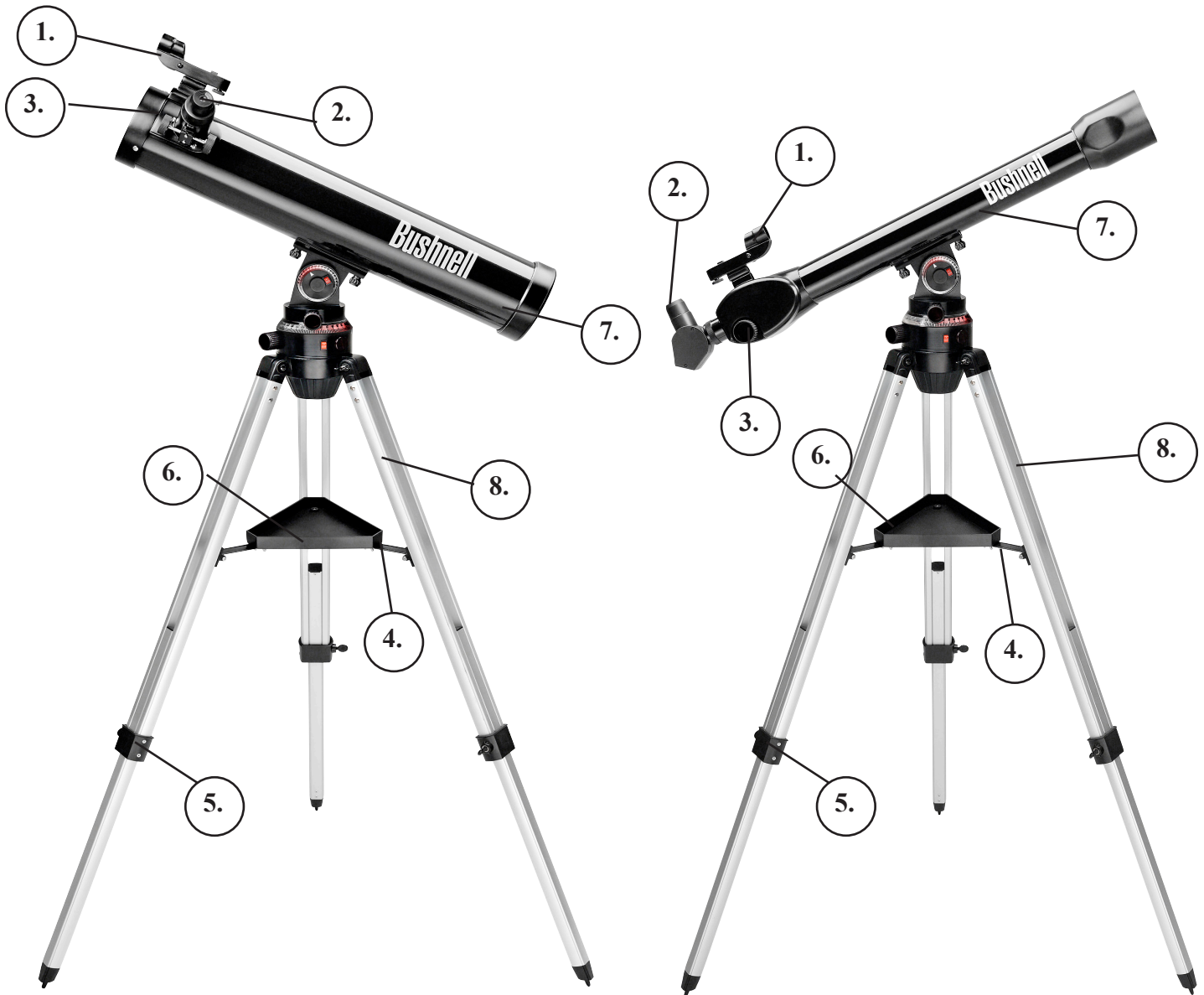
1. Rotpunktsucher
2. Okulare im 1,25-Zoll-Format
3. Beleuchtete Teleskopmontierung mit vorinstalliertem verstellbarem Aluminiumstativ
4. Diagonalspiegel (nur Linsenteleskope)
5. Aufrichtokular 1.5x (nur ausgewählte Modelle)
6. Sky Tour-Handset
7. Teleskop-Hauptrohr
8. Kompass
9. Barlow-Linse (nur ausgewählte Modelle)



Teileübersicht Teleskopmontierung

- | | |
|-------------------------------------|---|
| 1. Beleuchteter Höhenwähler | 5. Azimut-Feststellknopf |
| 2. Höhen-Feststellknopf (Rückseite) | 6. Azimutwähler-Lichtschalter |
| 3. Höhenwähler-Lichtschalter | 7. Azimut-Feineinstellknopf
(Verwendung nur bei betätigtem
Azimut-Feststellknopf) |
| 4. Beleuchteter Azimutwähler | |

HAUPTKOMPONENTEN DES TELESKOPS



78-9930/78-9945

78-9960/78-9970

Übersicht Teleskopkomponenten

- | | |
|-------------------------------|----------------------------------|
| 1. Rotpunktsucher | 5. Stativbein-Verstellung |
| 2. Okular im 1,25-Zoll-Format | 6. Schnellmontage-Zubehörschale |
| 3. Zahnstangenfokussierung | 7. Teleskop-Hauptrohr |
| 4. Zubehörschalenstrebe | 8. Verstellbares Aluminiumstativ |

Ihr Teleskop lässt sich ohne Werkzeug montieren.

Nehmen Sie alle Komponenten aus dem Karton heraus und ordnen Sie alle Bauteile zu. Vor der Montage empfiehlt es sich, zunächst alle Teile vor sich auszubreiten. Da es sich bei Ihrem Teleskop um ein optisches Präzisionssystem handelt, sind alle Komponenten sehr sorgfältig zu behandeln – besonders das Sky Tour-Handset, das Teleskop, die Okulare und die verschiedenen Zubehörteile.

Einrichtung des Stativs und der Zubehörschale

1. Stellen Sie die beleuchtete Voyager-Montierung mit den vorinstallierten Stativbeinen auf ebenem Untergrund auf. Spreizen Sie die Stativbeine vollständig auf.
2. Klappen die Zubehörschalenstreben heraus und setzen Sie die Schnellmontage-Zubehörschale auf die Streben auf.
3. Führen Sie die Zubehörschalenschrauben mittig durch die Zubehörschalenstreben ein und ziehen Sie die Zubehörschalenschrauben in den Zubehörschalenstreben fest.
4. Stellen Sie die passende Stativhöhe ein, indem Sie die Stativbein-Einstellschrauben lösen und die Stativbeine auf die gewünschte Höhe ausfahren. Ziehen Sie Stativbein-Einstellschrauben fest.

Befestigung des Teleskoprohrs

1. Suchen Sie das Teleskop-Hauptrohr heraus.
2. Entfernen Sie die beiden Teleskoprohrmutter von den Schrauben, die unten am Teleskoprohr herausragen.
3. Setzen Sie das Haupt-Teleskoprohr mit den Befestigungsschrauben nach unten durch die beiden Löcher oben an der beleuchteten Teleskopmontierung ein.
4. Befestigen Sie die Teleskoprohrschrauben und -mutter wieder.

Befestigung des zuletzt anzubringenden Teleskopzubehörs

1. Suchen Sie den Rotpunktsucher heraus.
2. Bringen Sie den Sucher über dem entsprechenden Befestigungsstück oben am Teleskoprohr beim Fokussiermechanismus in Einbaulage.
3. Schieben Sie ihn nach vorn, bis der Sucher fest sitzt. Das große Endstück des Suchers muss dem offenen Endstück des Teleskoprohrs gegenüberliegen.
4. Befestigen Sie das Low-Power-Okular.
 - a. Führen sie bei Spiegelteleskopen das Okular direkt in den Fokussierrohrmechanismus ein.
 - b. Führen sie bei Linsenteleskopen erst das Okular in den Diagonalspiegel und diesen dann in den Fokussierrohrmechanismus ein.

LINSENZUBEHÖR

Barlow-Linse (ausgewählte Modelle)

Manche Voyager-Geräte mit Sky Tour werden mit einer Barlow-Linse geliefert. Dieses Zubehörteil ermöglicht Ihnen die Doppelnutzung eines jeden Okulars. Setzen Sie die Barlow-Linse bei Spiegelteleskopen einfach zwischen Fokussiermechanismus und Okular oder bei Linsenteleskopen zwischen Fokussiermechanismus und Diagonalspiegel ein. Je nach der auf der Barlow-Linse vermerkten Spezifikation kann dieses Zubehör bei gemeinsamer Nutzung mit dem Okular dessen Vergrößerungsfaktor verdoppeln oder gar verdreifachen. Beachten Sie, dass das Arbeiten mit Low-Power (bzw. Kleinleistung) zwar immer empfohlen wird, dass sich Higher-Power-Einstellungen (bzw. höhere Leistungen) jedoch besonders gut für größere und strahlendere Objekte wie den Mond und Planeten eignen.

DETAILMONTAGE (FORTSETZUNG)

LINSENZUBEHÖR - Fortsetzung

Aufrichtlinse 1.5x (nur ausgewählte Modelle)

Mit diesem Zubehörteil kann der Nutzer Objekte vom Boden aus so sehen, wie sie normalerweise mit bloßem Auge erkennbar wären. Setzen Sie zur Nutzung dieses Teils einfach die Aufrichtlinse zwischen dem Okular und dem Fokussiermechanismus an Ihrem Teleskop ein.

TELESKOP-FOKUSSIERUNG

1. Peilen Sie nach Auswahl des gewünschten Okulars mit dem Teleskop-Hauptrohr ein am Boden befindliches Ziel in mindestens 183 m (200 yd) Entfernung (z. B. einen Telefonmasten oder ein Gebäude) an. Fahren Sie das Fokussierrohr mit dem Zahnstangen-Fokussiermechanismus vollständig aus.
2. Fahren Sie, während Sie durch das ausgewählte Okular sehen, das Fokussierrohr mit dem Zahnstangen-Fokussiermechanismus langsam wieder ein, bis das gewünschte Objekt fokussiert ist.

SUCHERAUSRICHTUNG

1. Sehen Sie durch das Teleskop-Hauptrohr und wählen Sie ein klar erkennbares Ziel (siehe Abschnitt Teleskop-Fokussierung).
2. Sehen Sie durch den Sucher und ziehen Sie dabei abwechselnd so lange jede Sucher-Einstellschraube fest, bis sich dasselbe Objekt, das sich auch schon zentriert im Blickfeld des Teleskop-Hauptrohrs befindet, auch genau zentriert im Sucher erscheint.
3. Zuerst mit dem Sucher angepeilte Objekte erscheinen nun auch zentriert im Blickfeld des Teleskop-Hauptrohrs.

BATTERIEINSTALLATION

Ihr Sky Tour-Handset wird von 3 AA-Batterien (nicht im Lieferumfang enthalten) gespeist. Diese werden so wie bei den meisten Fernbedienungen eingesetzt.

Ihre beleuchtete Voyager-Montierung wird von 2 CR1620-Uhrenbatterien (im Lieferumfang enthalten) gespeist. Diese Batterien werden durch Entfernen des Batteriedeckels neben den Schaltern für die beleuchteten Wähler eingesetzt.

**NIE DIREKT MIT DEM TELESKOP IN DIE
SONNE SEHEN.
ES BESTEHT DIE GEFAHR VON BLEIBENDEN
AUGENSCHÄDEN.**



1. Stellen Sie das vormontierte Teleskop auf einer stabilen, ebenen Oberfläche auf.
2. Schalten Sie zur Beleuchtung Ihrer Teleskopmontierung beide beleuchteten Schalter für die beleuchteten Wähler ein.
3. Halten Sie sich zur korrekten Ausrichtung Ihres Teleskops an die Richtung, die von „0“ auf dem mitgelieferten Kompass angezeigt wird. Befolgen Sie zur Ausrichtung Ihres Teleskops auf diesen „0“-Wert die folgenden Schritte (siehe auch „Teileübersicht Teleskopmontierung“ auf der Bauteil-Erläuterungsseite):
 - a. Lokalisieren Sie den schwarzen Anzeigepfeil gleich unter dem Azimutwähler an der Montierung.
 - b. Bewegen Sie das Stativ (oder das ganze Teleskop), bis der Anzeigepfeil auf die von „0“ am Kompass angezeigte Richtung weist.
 - c. Lösen Sie den Azimut-Feststellknopf und drehen Sie das Teleskoprohr, bis es in derselben Richtung wie der Anzeigepfeil (und „0“ am Kompass) steht. Bei Linsenteleskopen muss die große Objektivlinse in dieselbe Richtung weisen wie der Anzeigepfeil. Bei Spiegelteleskopen muss das „offene“ Endstück des Teleskoprohrs in diese Richtung weisen.
 - d. Drehen Sie schließlich bei noch gelöstem Azimut-Feststellknopf den beleuchteten Azimutwähler so, dass „0“ am Wähler mit dem Anzeigepfeil, dem Teleskoprohr und der „0“-Kompassrichtung fluchtet.
4. Schalten Sie Ihr Sky Tour-Handset durch Gedrückthalten der „Sternbild“-Taste ein.
 - a. Nehmen Sie die Einrichtung zum ersten Mal vor, fordert das Handset Sie zur Einstellung von Datum, Zeit und Ortsangaben auf. Nach abgeschlossener Einrichtung speichert Ihr Sky Tour-Handset die Einstellungen so lange, bis die Batterien gewechselt werden. Ihren Längen- und Breitengrad schlagen Sie bitte auf einer Karte Ihrer Region nach oder konsultieren Sie die Bushnell-Website (www.bushnell.com).
 - b. Nachdem Ihr Sky Tour-Handset auf den entsprechenden Ort und die betreffende Zeit eingestellt wurde, teilt Ihnen das Handset automatisch die Ortszeit und die an diesem Abend möglichen Tour-Objekte mit.
5. Wählen Sie durch Drücken der entsprechenden Taste den gewünschten Betriebsmodus aus: Sternbilder, Mythologie, Erstaunliche Fakten oder Planeten.
6. Das Sky Tour-Handset teilt Ihnen für das ausgewählte Tour-Objekt dann eine Höhennummer (entsprechend dem oberen Wähler) und eine Azimutnummer (entsprechend dem unteren Wähler) mit.
7. Keine Sorge, falls Sie die Nummern nicht gleich verstehen – Sie können Sie durch Drücken der Zurück-Taste wiederholen lassen.
8. Richten Sie das Teleskop auf die Höhen- und Azimut-Werte entsprechend den jeweiligen Nummern auf den Wählern aus – das Teleskop weist nun auf Ihr Tour-Objekt!
9. Um weitere Informationen für den jeweiligen Modus zu erhalten, drücken Sie nun so lange die Vorwärts-Taste, bis sich die Fakten zu wiederholen beginnen, und wählen sie dann einen anderen Modus aus.
10. Sie müssen sich jedoch nicht alle Einzelinformationen für jeden Modus anhören; wenn Sie möchten, können Sie auch von Modus zu Modus springen.
11. Immer, wenn Sie einen neuen Modus auswählen, erhalten Sie eine Wegbeschreibung für das erste Objekt im jeweiligen Modus. Bewegen Sie Ihr Teleskop zum Ansehen des Objekts einfach in die entsprechende Richtung und hören Sie sich die dazu angesagten Informationen an.
12. Der einzigartige Planetenmodus bietet Ihnen die wichtigsten Informationen zu den fünf strahlendsten Planeten und zum Mond.
13. Nachdem Sie die Objekt-Tour in jedem Modus beendet haben, können Sie durch nochmaliges Drücken des gewünschten Modus mit dem nächsten Tour-Objekt fortfahren. Das Handset wird so auf das nächste Tour-Objekt weitergestellt.
14. Auf Wunsch können Sie Teleskop und Handset auch unabhängig voneinander nutzen.

Ihr Teleskop ist ein sehr empfindliches Instrument. Um beste Ergebnisse und ein vibrationsfreieres Arbeiten zu erzielen, stellen Sie Ihr Teleskop anstatt auf Ihrer Betoneinfahrt oder auf Ihrer Holzterrasse lieber an einer ebenen Stelle auf der Erde auf. Die Stabilität beim Beobachten ist dann größer, besonders, wenn Sie mit Ihrem neuen Teleskop eine Menschenmenge angelockt haben.

- Suchen Sie sich nach Möglichkeit einen Beobachtungsort mit relativ geringer Beleuchtung aus. So können Sie auch viel schwächere Objekte erkennen. Sie würden überrascht sein, um wie viel besser die Aussicht von einem nahen See oder Park im Vergleich zu einem Hinterhof im Stadtgebiet ist.
- Von der Verwendung des Teleskops von einem Fenster aus RATEN WIR IN JEDEM FALL AB.
- Wählen Sie nach Möglichkeit hoch am Firmament stehende Objekte aus. Das Bild wird heller und schärfer, wenn Sie warten, bis das Objekt hoch über dem Horizont steht. Objekte am Horizont werden durch mehrere Schichten der Erdatmosphäre gesehen. Haben Sie sich schon einmal gefragt, warum der Mond beim Aufgang am Horizont orange erscheint? Das liegt daran, dass man ihn dann durch eine wesentlich dickere Atmosphäre betrachtet als dann, wenn er hoch am Himmel steht. (Anmerkung: Wenn hoch am Firmament stehende Objekte verzerrt oder gewellt erscheinen, haben Sie sich zur Beobachtung wahrscheinlich eine sehr feuchte Nacht ausgesucht.) In Nächten mit unbeständiger Atmosphäre können Beobachtungen mit dem Teleskop frustrierend oder ganz und gar unmöglich sein. In Astrologenkreisen spricht man bei frischen, klaren Nächten von Nächten mit „guter Sicht“.

ERSTE SCHRITTE BEI DER VERWENDUNG IHRES NEUEN TELESKOPS

1. Peilen Sie zunächst ein Beobachtungsziel an. Jedes leuchtende Objekt am Nachthimmel ist ein guter Ausgangspunkt. Einer der beliebtesten astronomischen Ausgangspunkte ist der Mond. Dieses Objekt stellt sowohl angehende Astronomen als auch erfahrene Veteranen zufrieden. Haben Sie in diesem Bereich erst einmal Sicherheit erlangt, stellen auch andere Objekte interessante Ziele dar. Saturn, Mars, Jupiter und Venus eignen sich gut als Fortgeschrittenenobjekte.

Der Mond-- Wundervolle Ausblicke auf unseren Nachbarplaneten lassen sich bei jedem Vergrößerungsgrad erreichen. Versuchen Sie den Mond in verschiedenen Phasen zu beobachten. Lassen Sie sich beeindrucken von Mondhochlandschaften, Mond-Maria (Tieflandschaften, die wegen ihrer dunklen Farbe „Meere genannt werden“), Kratern, Hügelketten und Bergen.

Saturn--selbst bei der kleinsten Low-Power-Leistung sollten Sie die Ringe und Monde des Saturns gut erkennen können. Der Saturn ist eines der lohnendsten Himmelsobjekte, weil er genau wie auf den Bildern aussieht. Stellen Sie sich einen Anblick wie aus dem Lehrbuch oder wie bei NASA-Aufnahmen vor!

Jupiter--der größte Planet in unserem Sonnensystem ist einfach spektakulär. Seine bekanntesten Eigenschaften sind die dunklen Streifen oder Bänder über- und unterhalb seines Äquators. Hierbei handelt es sich um die Nord- und Süd-Äquatorgürtel. Interessant sind auch die vier Jupiter-Hauptmonde. Beobachten Sie genau ihre Positionen von Nacht zu Nacht. Sie erscheinen als Aufreihungen auf beiden Seiten des Jupiters.

Mars--Der große Rote Planet erscheint als rötlich-orangefarbene Scheibe. Beobachten Sie ihn zu verschiedenen Jahreszeiten und versuchen Sie, einen Blick auf die weißen Eiskappen zu erhaschen.

Venus--Genau wie der Mond weist auch die Venus monatlich wechselnde Phasen auf. Einige Ansichten der strahlenden Venus wirken wie Ausblicke auf einen weit entfernten Sichelmond.

Nebelflecken--Der große Orion-Nebelfleck ist ein sehr bekannter Anblick am nächtlichen Firmament. Diese und viele andere Aussichten können Sie mit diesem Teleskop bewundern.

Sternenhaufen--Beobachten Sie Millionen von eng in einem ballartigen Haufen versammelten Sternen.

Galaxien--Eine der großartigsten und interessantesten Galaxien ist unser Nachbar, die Andromeda-Galaxie. Erfreuen Sie sich an der Beobachtung dieser und vielen anderen Galaxien.

Und es gibt noch so viel mehr!

Dieses Handbuch dient der Unterstützung des Nutzers bei der Einrichtung und bei der Grundbedienung dieses Instruments. Es kann jedoch nicht alle Fragen zur Astronomie an sich beantworten.

Für Informationen zu Objekten, die keine Sterne oder Sternbilder sind, ist ein Astronomie-Grundleitfaden unverzichtbar.

Eine Liste empfohlener Leitfäden finden Sie auf unserer Website unter www.bushnell.com.

Die Website bietet auch Beobachtungsvorschläge zu aktuellen Himmelsphänomenen.

2. Nachdem Sie das Teleskop eingerichtet und ein geeignetes Ziel ausgewählt haben, peilen Sie das gewünschte Objekt zentriert im Sucher an. Vorausgesetzt, dass Sie den Sucher gut ausgerichtet haben, sollten Sie bei einem kurzen Blick durch das Teleskop-Hauptrohr bei Low-Power (bzw. Kleinleistung) das gleiche Bild erkennen. Mit dem Okular mit der kleinsten Low-Power-Leistung (dasjenige mit der höchsten Nummer darauf), sollten Sie das gleiche Bild fokussieren können, das sie durch den Sucher gesehen haben. Widerstehen Sie der Versuchung, sofort die höchste High-Power-Leistung zu nutzen. Mit dem Low-Power-Okular erreichen Sie ein breiteres Sichtfeld und ein helleres Bild--und können so Ihr Zielobjekt problemlos erkennen. Sind Sie erst einmal an diesem Punkt mit einem scharfen Bild in beiden Sichtbereichen angelangt, haben Sie die erste Hürde überwunden. Falls Sie nach der versuchten Fokussierung eines Bildes nichts sehen, sollten Sie den Sucher vielleicht noch einmal neu ausrichten. Danach werden Sie froh sein, dass Sie sich die Zeit für eine gute Ausrichtung genommen haben. Jedes im Sucher zentrierte Objekt lässt sich auch leicht im Teleskop-Hauptrohr finden. Dies ist wichtig für die Fortsetzung Ihrer Entdeckungsreise durch den Nachthimmel.

3. Die Low-Power-Okulare eignen sich hervorragend zum Betrachten des Vollmonds sowie von Planeten, Sternenhaufen, Nebelflecken und sogar von Sternbildern. Diese sollten Ihre Grundlage bilden. Um jedoch detaillierte Bilder zu erreichen, versuchen Sie, die Vergrößerung bei manchen dieser Objekte durch den Einsatz von Higher-Power-Okularen (d.h. mit höheren Leistungen) zu erhöhen. In ruhigen, frischen Nächten ist die helle/dunkle Mond-Trennlinie (der so genannte „Terminator“ bei High-Power-Leistung fabelhaft erkennbar. Dann sehen Sie Berge, Hügel und Krater, die Sie durch die Streiflichter förmlich „anspringen“. Genauso können Sie auch für Planeten und Nebelflecken stärkere Vergrößerungen wählen. Sternenhaufen und Sterne betrachtet man aber auf jeden Fall am besten bei Low-Power-Leistung.

4. Das stetig wiederkehrende Astronomie-Kino, das wir den Nachthimmel nennen, ist ein sich ständig änderndes Ankündigungsplakat. Mit anderen Worten: Es wird nicht immer derselbe Film gespielt. Vielmehr ändern sich die Sternenpositionen nicht nur von Stunde zu Stunde mit dem Auf- und Untergang, sondern auch innerhalb des Jahresverlaufs. Während die Sonne die Erde umkreist, ändert sich auch in einem jährlichen Zyklus um diese Erdumlaufbahn unser Ausblick auf die Sterne. Der Grund dafür, dass sich das Firmament täglich genauso zu bewegen zu scheint, wie sich Sonne und Mond über den Himmel „bewegen“, liegt darin, dass sich die Erde um ihre eigene Achse dreht. Demzufolge werden Sie vielleicht nach einigen Minuten oder Sekunden – je nachdem, welche Leistung Sie für Ihre Betrachtung verwenden –bemerken, dass sich die Objekte in Ihrem Teleskop bewegen. Besonders bei stärkeren Vergrößerungen werden Sie beobachten, dass der Mond oder Jupiter geradewegs aus dem Blickfeld „sauen“. Um diesen Vorgang auszugleichen, stellen Sie die Feineinstellelemente an Ihrem Teleskop einfach so ein, dass sie das betreffende Objekt in der entsprechenden Bahn „verfolgen“.

ANMERKUNGEN

GARANTIE / REPARATUR

EINGESCHRÄNKTE TELESKOP-GARANTIE AUF LEBENSZEIT

Ihr Bushnell®-Teleskop steht auf Lebenszeit des Originaleigentümers unter Materialdefekt- und Verarbeitungsfehlerfreiheitsgarantie. Die eingeschränkte Garantie auf Lebenszeit ist ein Zeichen unseres Vertrauens in die Materialien und handwerkliche Verarbeitung unserer Produkte und Ihre Gewissheit für zuverlässigen Service ein Leben lang.

Sofern Ihr Teleskop mit elektrischen Komponenten ausgestattet ist, stehen diese für zwei Jahre ab Kaufdatum unter Materialdefekt- und Verarbeitungsfehlerfreiheitsgarantie.

Sollte innerhalb dieser Garantiefrist ein Defekt auftreten, werden wir das Produkt unter der Voraussetzung, dass Sie das Produkt mit bereits vorausbezahlten Versandkosten an uns zurücksenden, nach unserer eigenen Wahl entweder reparieren oder ersetzen. Diese Garantie gilt nicht für Schäden aufgrund von Missbrauch, falscher Handhabung/Installation oder Wartungsarbeiten, die nicht vom autorisierten Kundendienst von Bushnell ausgeführt werden.

Alle Rücksendungen unter dieser Garantie sind uns zusammen mit den nachfolgend aufgelisteten Dokumenten zuzustellen:

- 1) Ein(e) Scheck/Zahlungsanweisung in Höhe von \$15.00 zur Begleichung der Kosten für Versand und Abwicklung.
- 2) Name und Adresse für die Produktrücksendung
- 3) Eine Beschreibung des Defekts
- 4) Nachweis des Kaufdatums
- 5) Die Produkte sind zur Vermeidung von Transportschäden gut verpackt in einem stabilen Versandkarton und mit bereits vorausbezahltem Rückporto an eine der folgenden Adressen zurückzusenden:

Postadresse in den USA:
Bushnell Outdoor Products
Attn.: Repairs
8500 Marshall Drive
Lenexa, Kansas 66214

Postadresse in KANADA:
Bushnell Outdoor Products
Attn.: Repairs
25A East Pearce Street, Unit 1
Richmond Hill, Ontario L4B 2M9

Für die geltenden Garantie-Informationen zu außerhalb der USA oder Kanada erworbenen Produkten wenden Sie sich bitte an Ihren Händler vor Ort. In Europa können Sie sich auch unter der folgenden Adresse an Bushnell wenden:

Bushnell Germany GmbH
European Service Centre
Mathias-Brüggen-Str. 80
D-50827 Köln
GERMANY
Tel: +49 221 995568-0
Fax: +49 221 995568-20

Diese Garantie gibt Ihnen besondere Rechte.
Eventuell haben Sie auch noch andere, von Land zu Land verschiedene Rechte.
©2010 Bushnell Outdoor Products

Grazie per aver scelto il telescopio Bushnell Voyager con Sky Tour! Questo strumento è veramente il primo ed il massimo fra tutti i telescopi. Il ricevitore Sky Tour vi parla, offrendovi, ogni notte, un tour personale, in tempo reale, del cielo notturno. Ad ogni oggetto del tour sono associate delle istruzioni, che permettono di trovare facilmente l'oggetto con il telescopio.

Dopo che avete letto questo manuale e vi siete preparati ad osservare il cielo notturno, come di seguito spiegato, potete cominciare ad usare le funzioni di Sky Tour, procedendo come segue:

Inserite 3 pile AA, quindi tenete premuto il pulsante “Costellazione” (in alto a sinistra nella sezione dei quattro pulsanti) fino a quando il ricevitore Sky Tour comincia a parlare chiedendovi di configurarlo.

Per trovare la vostra latitudine e longitudine, controllate una mappa della vostra zona, oppure, per aiuto, collegatevi al sito Web della Bushnell (www.bushnell.com).

Terminata la configurazione, dopo che il ricevitore conferma di aver salvato le impostazioni fatte, spegnete l'unità. Per cominciare ad usare il ricevitore, tenete premuto il pulsante Costellazione fino a quando l'unità si accende di nuovo.

Le impostazioni fatte saranno conservate per un lungo periodo di tempo, ammesso che non rimuoviate le pile. Potete così godervi lo Sky Tour immediatamente ogni volta che osservate il cielo dallo stesso punto. Se vi siete spostati in un luogo diverso, potete cambiare le impostazioni accendendo il ricevitore premendo il pulsante “Mitologia” (invece del pulsante “Costellazione”), quindi seguite le istruzioni vocali ricevute.

Ci auguriamo che questo telescopio vi soddisfi per molti anni.

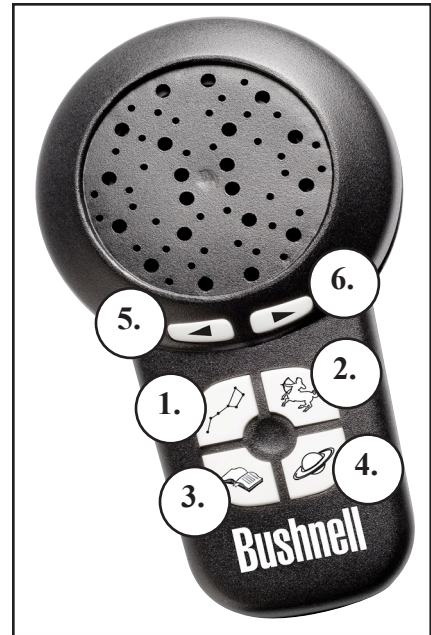


**NON GUARDATE MAI DIRETTAMENTE IL
SOLE CON IL TELESCOPIO.
PERICOLO DI DANNI PERMANENTI AGLI
OCCHI.**



RICEVITORE SKY TOUR TASTI DI INTERFACCIA

1. Pulsante **Costellazione** (accende anche l'unità premendolo e tenendolo premuto)
2. Pulsante **Mitologia** (premendolo e tenendolo premuto, pone anche l'unità in modo CONFIGURAZIONE dalla posizione di spento)
3. Pulsante **Fatti straordinari**
4. Pulsante **Pianeti**
5. Pulsante **Indietro** (tenendolo premuto, abbassa anche il volume mentre il ricevitore sta parlando)
6. Pulsante **Avanti** (tenendolo premuto, alza anche il volume mentre il ricevitore sta parlando)



FUNZIONI DEI PULSANTI

TUTTI I PULSANTI SONO ILLUMINATI PER L'USO NOTTURNO.

Il pulsante del modo **Costellazione** vi permette di visitare molte famose costellazioni, e vi darà informazioni generali su ognuna di esse, compresi consigli su come trovarle e navigare da esse, nonché informazioni specifiche su stelle particolari o altri oggetti celesti situati nelle costellazioni.

Il pulsante del modo **Mitologia** vi consente di ascoltare storie e miti dell'antichità, spiegando perché le costellazioni sono illustrate e chiamate così.

Il pulsante del modo **Fatti straordinari** offre informazioni sbalorditive su ciascuna costellazione, compresa la distanza alle stelle, la dimensione ed altre notizie interessanti.

Il pulsante del modo **Pianeti** vi offrirà una visita guidata dei pianeti.

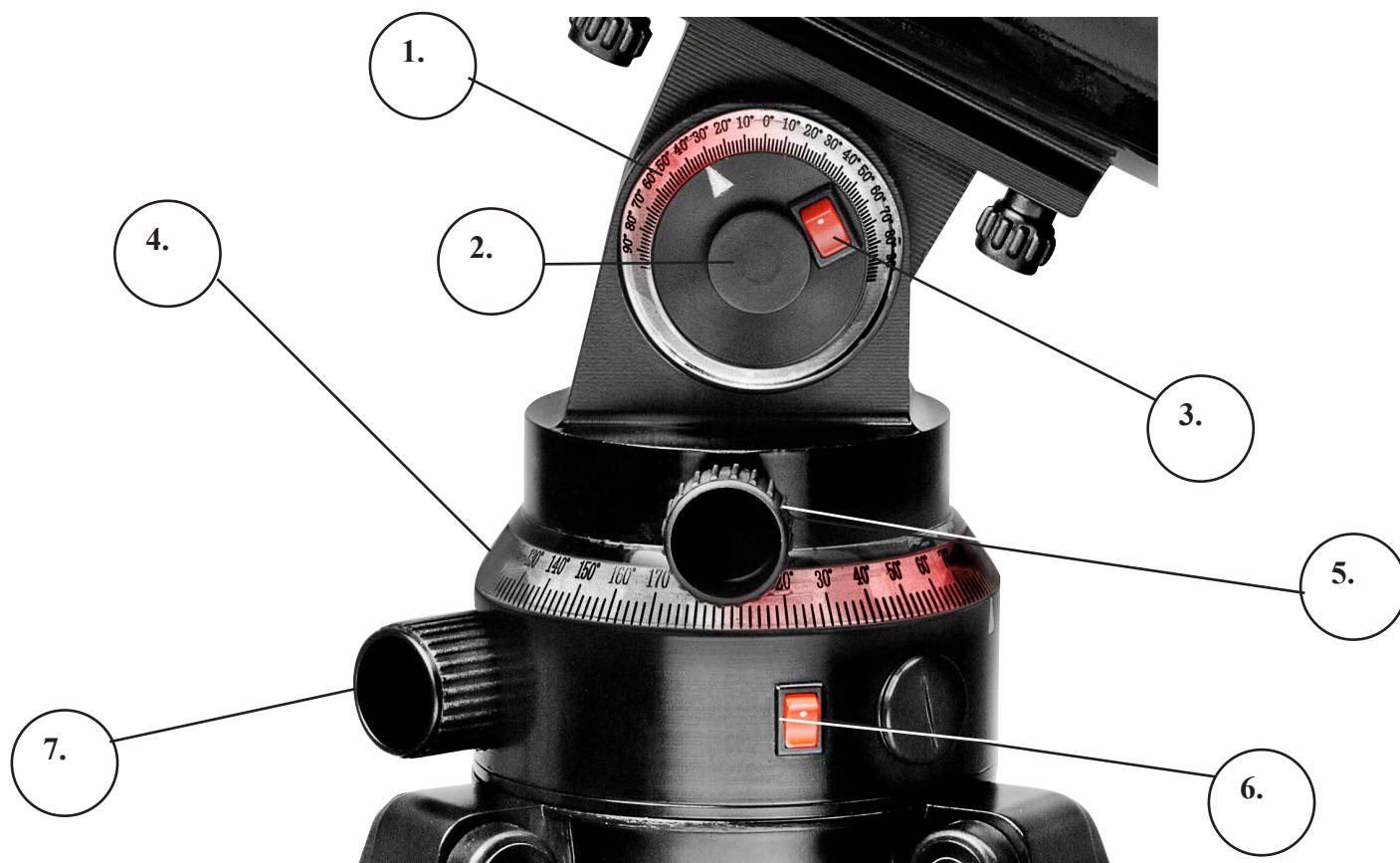
Nota: per ottenere il massimo piacere dal ricevitore Sky Tour (per esempio, il tour delle costellazioni), ascoltate l'intera serie di informazioni, quindi passate ad un altro modo. Ogni volta che passate da un modo all'altro, ascolterete maggiori informazioni, ma potreste perderne alcune del modo precedente a meno che non continuiate a selezionare Avanti per ascoltare maggiori informazioni fino a quando queste cominciano ad essere ripetute.

Premendo più una volta il pulsante di un modo qualsiasi, passerete in sequenza all'oggetto della prossima visita incluso in quel modo.

Il ricevitore si spegnerà da solo dopo un certo periodo di tempo, per risparmiare la carica delle pile. Tuttavia, il supporto illuminato e il cercatore a punto rosso devono essere spenti manualmente.

LISTA D'IMBALLAGGIO DELLE PARTI-TUTTI I MODELLI

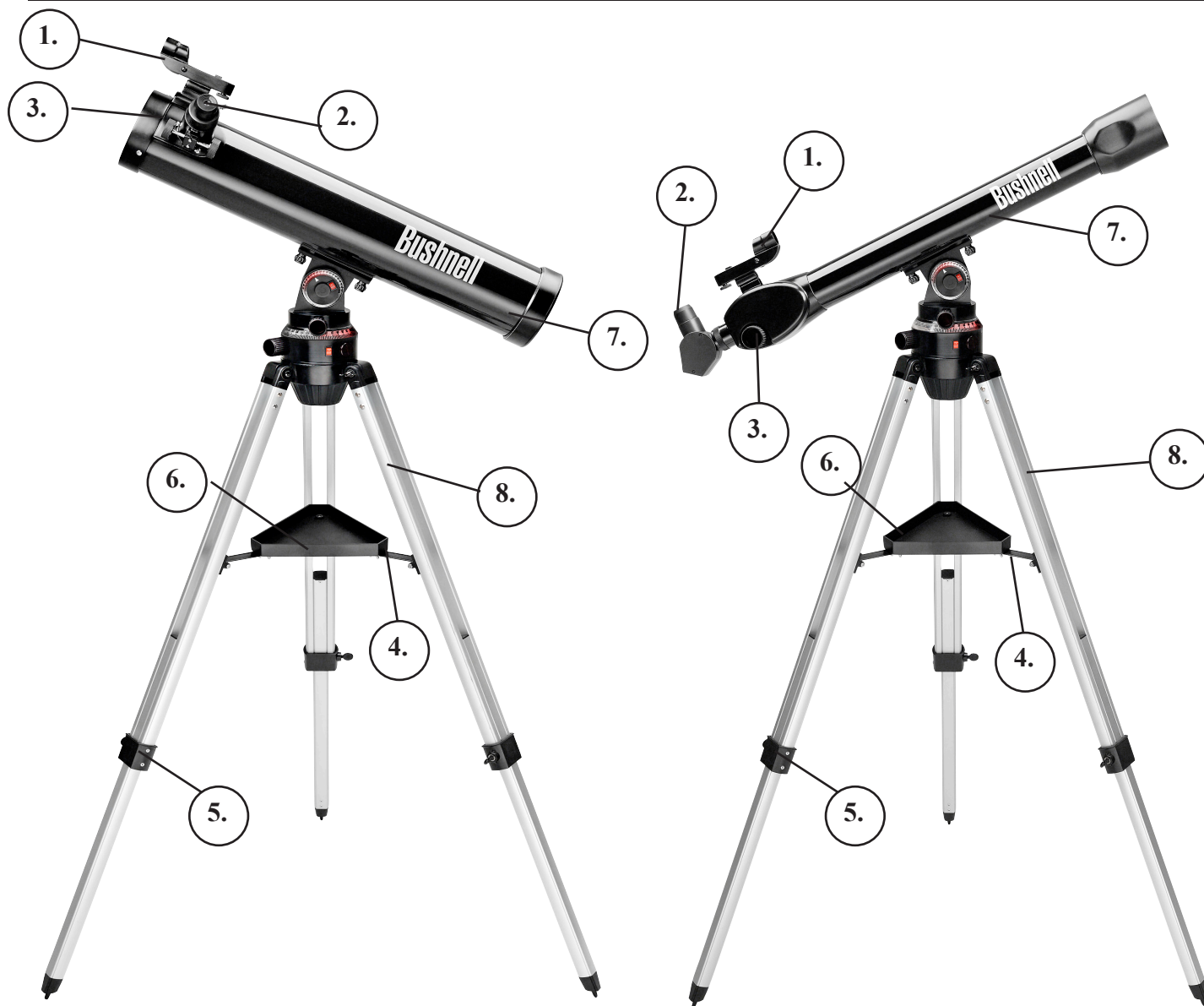
1. Cercatore a punto rosso
2. Oculari formato 1.25"
3. Supporto illuminato del telescopio con montato treppiede regolabile in alluminio
4. Specchio diagonale (solo rifrattori)
5. Oculare raddrizzatore 1.5x (solo per modelli selezionati)
6. Ricevitore Sky Tour
7. Tubo principale del telescopio
8. Bussola
9. Lente Barlow (solo per modelli selezionati)



Identificazione delle parti del supporto del telescopio

- | | |
|---|--|
| 1. Quadrante illuminato dell'altitudine | 5. Manopola di bloccaggio dell'azimut |
| 2. Manopola di bloccaggio dell'altitudine (lato posteriore) | 6. Interruttore per l'illuminazione del quadrante dell'azimut |
| 3. Interruttore per l'illuminazione del quadrante dell'altitudine | 7. Manopola di messa a punto dell'azimut (usata solo quando è innestata la manopola di bloccaggio dell'azimut) |
| 4. Quadrante illuminato dell'azimut | |

PARTI PRINCIPALI DEL TELESCOPIO



78-9930/78-9945

78-9960/78-9970

Identificazione delle parti del telescopio

1. Cercatore a punto rosso
2. Oculare formato 1.25"
3. Meccanismo a cremagliera per la messa a fuoco
4. Staffa del vassoio per gli accessori

5. Regolatore delle gambe del treppiede
6. Vassoio per gli accessori velocemente rimovibile
7. Tubo principale del telescopio
8. Treppiede regolabile in alluminio

ISTRUZIONI DETTAGLIATE PER L'ASSEMBLAGGIO

Per mettere insieme il telescopio, non è necessario usare alcun attrezzo.

Estraete tutte le parti dall'imballaggio e identificatele. Vi consigliamo di posare tutte le parti davanti a voi prima di procedere all'assemblaggio. Essendo un sistema ottico di precisione, è necessario maneggiare la parti con attenzione—in particolare il ricevitore Sky Tour, il telescopio, gli oculari e i vari accessori.

Installazione del treppiede e del vassoio per gli accessori

1. Mettete in posizione eretta il gruppo di sostegno illuminato del Voyager, con le gambe già montate su una superficie piana. Allargate le gambe del treppiede nella posizione completamente aperta.
2. Piegate le staffe del vassoio per gli accessori e mettete il vassoio sopra le staffe.
3. Inserite il bullone del vassoio nel centro delle staffe e stringete il bullone nelle staffe.
4. Regolate l'altezza del treppiede allentando i bulloni di regolazione delle gambe e allungate le gambe del treppiede all'altezza desiderata. Stringete i bulloni di regolazione.

Montaggio del tubo del telescopio

1. Trovate il tubo principale del telescopio.
2. Rimuovete i due dadi dei bulloni del tubo dai bulloni sporgenti dal lato inferiore del tubo.
3. Posizionate il tubo con i bulloni di attacco rivolti in basso attraverso i due fori nella parte superiore del supporto illuminato del telescopio.
4. Installate di nuovo e stringete i dadi dei bulloni del tubo del telescopio.

Montaggio degli ultimi accessori del telescopio

1. Trovate il cercatore a punto rosso
2. Mettere il cercatore sopra la corrispondente aletta di attacco sulla parte superiore del tubo del telescopio, accanto al meccanismo di messa a fuoco.
3. Scorrete in avanti il cercatore fino a quando si sistema in maniera sicura. L'estremità grande del cercatore deve essere rivolta verso l'estremità aperta del tubo del telescopio.
4. Montate l'oculare a bassa potenza.
 - a. Per i telescopi riflettori, inserite l'oculare direttamente nel meccanismo di messa a fuoco del tubo.
 - b. Per i telescopi rifrattori, inserite l'oculare nello specchio diagonale, quindi inserite lo specchio diagonale nel meccanismo di messa a fuoco del tubo.
5. Stringete tutte le viti di fissaggio per serrare gli accessori.

ACCESSORI DELL'OBIETTIVO

Lente Barlow (modelli selezionati)

Alcune unità Voyager con Sky Tour sono dotate di lente Barlow. Questo accessorio vi permetterà di avere doppio uso di ogni oculare. Mettete la lente Barlow fra il meccanismo di messa a fuoco e l'oculare (per i telescopi riflettori) o fra il meccanismo di messa a fuoco e lo specchio diagonale (per i telescopi rifrattori). A seconda delle specifiche indicate sulla lente Barlow, questi accessori, quando vengono usati con l'oculare, possono raddoppiarne o addirittura triplicarne l'ingrandimento. Tenete a mente che la bassa potenza è sempre raccomandata; tuttavia, per oggetti più grandi e più luminosi, quali la luna e i pianeti, potenze più alte sono da preferirsi.

ISTRUZIONI DETTAGLIATE PER L'ASSEMBLAGGIO (CONTINUAZIONE)

ACCESSORI DELL'OBIETTIVO-cont.

Oculare raddrizzatore 1.5X (solo per modelli selezionati)

Questo accessorio permette di vedere oggetti sul terreno come sono visibili normalmente con gli occhi. Per usare questo accessorio, mettere l'oculare raddrizzatore fra l'oculare raddrizzatore e il meccanismo di messa a fuoco del telescopio

MESSA A FUOCO DEL TELESCOPIO

1. Dopo aver selezionato l'oculare desiderato, mirate il tubo principale del telescopio ad un oggetto a terra, lontano circa 200 metri (per es., un lampione o un edificio). Allungate completamente il tubo della messa a fuoco ruotando il meccanismo a cremagliera.
2. Mentre state guardando attraverso l'oculare prescelto, ritirate lentamente il tubo della messa a fuoco ruotando il meccanismo a cremagliera, fino a quando l'oggetto è a fuoco.

ALLINEAMENTO DEL CERCATORE

1. Guardate attraverso il tubo principale del telescopio, e cercate un obiettivo ben definito (vedi la sezione Messa a fuoco del telescopio).
2. Guardando attraverso il cercatore, stringete alternativamente ogni vite di regolazione del cercatore, fino a quando il centro del cercatore è precisamente centrato sullo stesso oggetto già centrato sul campo visivo del tubo principale del telescopio.
3. A questo punto, gli oggetti trovati prima con il cercatore saranno anche centrati nel campo visivo del tubo principale del telescopio.

INSTALLAZIONE DELLE PILE

Il ricevitore Sky Tour è alimentato da 3 pile AA (non fornite) installabili allo stesso modo in cui si installano le pile in un comune telecomando.

Il supporto illuminato del Voyager è alimentato da due pile da orologio CR1620 (incluse). Per installare queste pile, rimuovere il coperchio delle pile situato accanto agli interruttori dell'alimentazione del quadrante illuminato.

**NON GUARDATE MAI DIRETTAMENTE IL
SOLE CON IL TELESCOPIO.
PERICOLO DI DANNI PERMANENTI AGLI
OCCHI.**



1. Sistemate il telescopio assemblato su una superficie stabile e piana. È preferibile il giardino dietro casa anziché la terrazza.
2. Accendete i due interruttori del quadrante illuminato, per accendere il supporto del telescopio.
3. Per allineare correttamente il telescopio, fate riferimento alla direzione indicata dallo "0" sull'acclusa bussola. Per orientare il telescopio sullo stesso riferimento "0", procedete come segue (vedi "Identificazione delle parti del supporto del telescopio" alla pagina con la figura delle parti):
 - a. Trovate il contrassegno indice con la freccia nera, situato subito sotto il quadrante dell'azimut sul supporto.
 - b. Muovete il treppiede (o l'intero telescopio) fino a quando l'indice della freccia è puntato nella direzione indicata dallo "0" sulla bussola.
 - c. Allentate la manopola di bloccaggio dell'azimut e ruotate il tubo del telescopio fino a quando è allineato con la stessa direzione dell'indice con la freccia (e con lo "0" sulla bussola). Sui telescopi rifrattori, l'obiettivo grande deve essere puntato nella stessa direzione dell'indice con la freccia. Sui telescopi riflettori, l'estremità "aperta" del tubo del telescopio deve essere puntata in questa direzione.
 - d. Infine, con la manopola di bloccaggio dell'azimut ancora allentata, ruotare il quadrante illuminato dell'azimut in modo che lo "0" sul quadrante sia allineato con l'indice con la freccia, con il tubo del telescopio e con lo "0" sulla bussola.
4. Accendete il ricevitore Sky Tour tenendo premuto il pulsante "Costellazione".
 - a. Se state configurando il telescopio per la prima volta, il ricevitore vi chiederà di impostare la data, l'ora e l'ubicazione. Dopo aver fatto queste impostazioni, il ricevitore Sky Tour conserverà queste informazioni fino a quando vengono sostituite le pile. Per trovare la vostra latitudine e longitudine, controllate una mappa della vostra zona oppure aiutatevi visitando il sito Web della Bushnell (www.bushnell.com).
 - b. Dopo che è stato impostato con la vostra ubicazione e l'ora, il ricevitore Sky Tour vi dirà automaticamente l'ora locale e quali oggetti sono disponibili per la visione in quella particolare serata.
5. Scegliete il modo di funzionamento desiderato, premendo il corrispondente pulsante: Costellazioni, Mitologia, Fatti straordinari o Pianeti.
6. Il ricevitore Sky Tour vi dirà un numero per l'altezza (corrisponde al quadrante superiore) e un numero per l'azimut (corrisponde al quadrante inferiore) per l'oggetto del tour prescelto.
7. Non preoccupatevi se perdetevi i numeri, potete ripeterli premendo il pulsante Indietro.
8. Spostate il telescopio in altezza e azimut ai corrispondenti numeri sui quadranti, e il telescopio sarà puntato al vostro oggetto!
9. Continuate a premere il pulsante Avanti per ascoltare ulteriori informazioni per quel modo, fino a quando le notizie cominciano a ripetersi, quindi selezionate un modo diverso.
10. Non è necessario che ascoltiate tutte le voci di ogni modo; se lo desiderate, potete saltare da modo a modo.
11. Ogni volta che scegliete un nuovo modo, riceverete le istruzioni per il primo oggetto di ogni modo. Spostate il telescopio per vederle e ascoltare le informazioni parlate.
12. Il modo Pianeti è un modo esclusivo che vi permette di ascoltare informazioni essenziali sui cinque pianeti più luminosi e sulla luna.
13. Una volta che avete finito il tour di ogni modo, potete passare all'oggetto successivo del tour premendo una seconda volta il modo desiderato. Il ricevitore passerà all'oggetto successivo del tour.
14. Se lo desiderate, il telescopio e il ricevitore possono essere usati in maniera indipendente.

SUGGERIMENTI UTILI

- Il vostro telescopio è uno strumento molto sensibile. Per ottenere risultati migliori e minori vibrazioni, collocate il telescopio su una superficie in piano, a terra, invece che sul vialetto in cemento di accesso alla casa o sul patio di legno. In tal modo, provvederete ad una base di visione più stabile, specialmente se vi saranno molte persone a vedere il cielo con il vostro telescopio.
- Se possibile, osservate da un luogo dove la luce è scarsa. Potrete così vedere oggetti molto meno luminosi. Sarete sorpresi di quanto più potete vedere da un lago o da un parco, rispetto al giardino della vostra casa in città.
- L'uso del telescopio dalla finestra NON è MAI raccomandato.
- Se possibile, osservate oggetti che sono alti nel cielo. Attendere fino a quando gli oggetti si innalzano ben al di sopra dell'orizzonte offre un'immagine più luminosa e nitida. Gli oggetti all'orizzonte sono visti attraverso diversi strati dell'atmosfera terrestre. Vi siete mai domandati perché la luna appare di colore arancione mentre si abbassa sull'orizzonte? Ciò è dovuto al fatto che state guardando attraverso una quantità di atmosfera molto più grande di quella che attraversereste se guardaste direttamente sopra la vostra testa. (Nota: se gli oggetti alti nel cielo appaiono distorti o tremolanti, probabilmente state osservando durante una notte molto umida.) Durante le notti in cui l'atmosfera è instabile, guardare attraverso il telescopio può essere frustrante se non impossibile. Gli astronomi definiscono notti limpide e fresche come notti di "buona osservazione".

COME USARE IL TELESCOPIO

1. Per prima cosa, scegliete il corpo celeste da osservare. Qualsiasi oggetto luminoso nel cielo notturno è un buon punto di partenza. Uno dei punti di partenza preferiti in astronomia è la Luna. Questo è un oggetto che sicuramente piacerà sia all'astronomo dilettante che a quello veterano esperto. Quando avete acquisito una discreta capacità di osservazione a questo livello, altri oggetti diventano buoni obiettivi di osservazione. Saturno, Marte, Giove e Venere sono indicati come obiettivi di osservazione di secondo livello.

Luna--una vista meravigliosa del nostro vicino lunare può essere ottenuta con qualsiasi ingrandimento. Provate a guardare le diverse fasi lunari. Colline lunari, maria lunare (le pianure lunari sono chiamate “mari” per il loro colore scuro), crateri, promontori e montagne vi stupiranno.

Saturno--anche all'ingrandimento minimo dovrete essere in grado di vedere gli anelli e le lune di Saturno. Questo è uno dei corpi celesti che offre la maggiore soddisfazione per la visione, proprio perché appare come lo si vede nelle fotografie. Pensate a vedere dal vostro giardino quello che avete finora visto nei libri di testi o nelle immagini della NASA!

Giove--il pianeta più grande del nostro sistema solare è spettacolare. Le caratteristiche più notevoli sono le strisce o fasce scure sopra e sotto l'equatore. Vi sono cinture equatoriali settentrionali e meridionali. Ugualmente interessanti sono anche le quattro lune principali di Giove. Prestate particolare attenzione alle loro posizioni da una notte all'altra. Sembrano essere allineate su uno dei lati di Giove.

Marte--Il grande pianeta rosso appare come un disco rossiccio-arancione. Osservatelo in diversi momenti dell'anno e provate a cogliere uno sguardo alle calotte di ghiaccio.

Venere--Come la Luna, Venere cambia le fasi da un mese all'altro. In alcune visioni della splendente Venere, essa vi apparirà come se stesse guardando ad una luna crescente lontana.

Nebulosa--La grande nebulosa Orione è un oggetto molto famoso del cielo notturno. Potrete vedere Orione e molte altre nebulose grazie a questo telescopio.

Raggruppamenti di stelle--Osservate milioni di stelle fittamente addensate in un gruppo che assomiglia ad una palla.

Galassie--Una delle galassie più grandi e interessanti è la nostra vicina galassia Andromeda. Godetevi la visione di questa e di molte altre galassie.

E molto, molto altro ancora!

Nonostante abbia lo scopo di aiutarvi nell'allestimento ed uso di questo strumento, questo manuale non copre tutto quello che potreste voler sapere in fatto di astronomia.

Per oggetti diversi da stelle e costellazioni, è essenziale consultare una guida generale di astronomia. Un elenco di guide raccomandate è reperibile sul nostro sito www.bushnell.com. Come suggerimento per la vostra visione, il sito Web elenca anche gli eventi al momento in atto nel cielo.

2. Dopo aver approntato il telescopio e aver scelto qualcosa da osservare, centrate l'oggetto desiderato nel cercatore. Se avete allineato bene il cercatore, un rapido sguardo attraverso il tubo principale del telescopio a bassa potenza dovrebbe mostrare la stessa immagine. Con l'oculare alla potenza più bassa (quello con stampati i numeri più grandi), dovrete essere in grado di mettere a fuoco la stessa immagine vista attraverso il cercatore. Evitate la tentazione di portarvi direttamente alla potenza massima. L'oculare con potenza inferiore vi darà un campo visivo più ampio ed un'immagine più luminosa--permettendovi di trovare facilmente il vostro oggetto d'osservazione. A questo punto, con un'immagine a fuoco su entrambi i cannocchiali, avete superato il primo ostacolo. Se non vedete un'immagine dopo aver tentato di metterla a fuoco, potrebbe darsi che il cercatore debba essere di nuovo allineato. Una volta risolto questo punto, il tempo che avrete speso per garantire un buon allineamento non sarà assolutamente sprecato. Ogni oggetto che centrate nel cercatore, potrete facilmente trovarlo nel tubo principale del telescopio; ciò è importante per continuare la vostra esplorazione del cielo notturno.

3. Gli oculari a bassa potenza sono perfetti per vedere la luna piena, i pianeti, i raggruppamenti di stelle, le nebulose ed anche le costellazioni. Una tale osservazione dovrebbe costituire la vostra base. Tuttavia, per maggiori dettagli, provate ad osservare detti oggetti aumentando l'ingrandimento con oculari più potenti. Durante notti calme e nitide, la linea di separazione luce/oscurità sulla luna (chiamata "Terminatore lunare"), è meravigliosa ad elevato ingrandimento. Potrete vedere montagne, promontori e crateri balzare ai vostri occhi, grazie ai punti più luminosi. Allo stesso modo, potete passare ad ingrandimenti maggiori su pianeti e nebulose. La visione di stelle e di raggruppamenti di stelle è senz'altro migliore usando un basso ingrandimento.

4. Lo scenario astronomico da noi chiamato cielo notturno è un tabellone che cambia sempre. In altri termini, non viene mai proiettato lo stesso film. Anzi, la posizione delle stelle non solo cambia ogni ora, mentre sembrano sorgere e tramontare, ma cambia anche durante l'anno. Mentre la terra gira intorno al sole, la nostra prospettiva sulle stelle cambia ad un ciclo annuo rispetto all'orbita terrestre. Il motivo per cui il cielo sembra muoversi ogni giorno, come il sole e la luna si "muovono" nel nostro cielo, è che la terra ruota sul proprio asse. Di conseguenza, potete notare che dopo alcuni minuti, o alcuni secondi, a seconda dell'ingrandimento usato per l'osservazione, la luna o Giove "correranno" fuori del campo visivo. Per compensare tale fenomeno, spostate i comandi di regolazione di precisione sul telescopio, al fine di seguire detti pianeti nel percorso dovuto.

NOTES

GARANZIA/RIPARAZIONI

GARANZIA LIMITATA A VITA

Si garantisce che questo prodotto Bushnell® sarà esente da difetti di materiale e fabbricazione finché rimarrà in possesso del proprietario originale. La presente garanzia limitata a vita esprime la nostra fiducia nei materiali e nella fabbricazione dei nostri prodotti e l'assicurazione di anni e anni di servizio affidabile. In caso di difetto durante il periodo di garanzia, a nostra discrezione ripareremo o sostituiremo il prodotto purché sia restituito franco destinatario. Sono esclusi dalla garanzia eventuali danni causati da abuso, maneggiamento improprio, installazione o manutenzione eseguiti da persone non autorizzate dal servizio di assistenza Bushnell.

A un prodotto restituito negli Stati Uniti o in Canada e coperto da questa garanzia occorre allegare quanto segue.

- 1) Assegno/ordine di pagamento per l'importo di 10 \$US per coprire i costi di spedizione.
- 2) Nome e indirizzo da utilizzare per la restituzione del prodotto.
- 3) Una spiegazione del difetto.
- 4) Scontrino.
- 5) Il prodotto deve essere imballato in una scatola robusta, per prevenire danni durante il trasporto, e va spedito franco destinatario a uno dei seguenti indirizzi.

Recapito negli Stati Uniti:
Bushnell Outdoor Products
Attn.: Repairs
8500 Marshall Drive
Lenexa, Kansas 66214

Recapito in Canada:
Bushnell Outdoor Products
Attn.: Repairs
25A East Pearce Street, Unit 1
Richmond Hill, Ontario L4B 2M9

Per prodotti acquistati fuori degli Stati Uniti o del Canada, rivolgersi al rivenditore per le clausole pertinenti della garanzia. In Europa si può anche contattare la Bushnell a questo numero:

Bushnell Germany GmbH
European Service Centre
Mathias-Brüggen-Str. 80
D-50827 Köln
GERMANY
Tel: +49 221 995568-0
Fax: +49 221 995568-20

Questa garanzia dà specifici diritti legali.
Eventuali altri diritti variano da una nazione all'altra.
©2010 Bushnell Outdoor Products

Parabéns pela aquisição do Telescópio Bushnell Voyager com Sky Tour! Esse telescópio é o que há de mais moderno neste tipo de instrumento. O aparelho de mão do Sky Tour faz narrações, fornecendo tours pessoais, em tempo real, do céu noturno - todas as noites! Cada objeto do tour incluirá orientações associadas ao mesmo, permitindo encontrar rapidamente o que se deseja observar com o telescópio.

Após ler este manual e preparar para a sessão de observação como descrita nas páginas seguintes, já será possível começar a desfrutar do recurso Sky Tour fazendo o seguinte:

Após inserir 3 pilhas de tamanho AA, pressione e prenda o botão Constelação – o botão superior esquerdo na seção de quatro botões – até que o aparelho de mão do Sky Tour comece a narrar e solicitar que você faça a configuração.

Para encontrar a latitude e a longitude, verifique um mapa de sua área ou acesse o website da Bushnell (www.bushnell.com) para obter auxílio.

Após concluir a configuração e o aparelho confirmar que suas definições estão salvas, desligue-o. Para começar a usar o aparelho de mão, pressione e prenda o botão Constelação até a unidade religar.

Suas definições serão retidas por um longo período, desde que as pilhas não sejam removidas. Isso permitirá desfrutar do Sky Tour sempre que usado do mesmo local. Caso tenha mudado o local de onde se faz a observação, poderá alterar as configurações ligando o aparelho de mão com o botão "Mitologia" pressionado (em vez do botão "Constelação") e simplesmente seguir as instruções narradas.

Esperamos que você aproveite este telescópio por muitos anos!



→ **NUNCA OLHE DIRETAMENTE PARA O SOL
COM O TELESCÓPIO
PODERÃO OCORRER LESÕES PERMANENTES
EM SEUS OLHOS** ←

APARELHO DE MÃO DO SKY TOUR TECLAS DE INTERFACE

1. Botão **Constelação** (serve também para LIGAR a unidade quando se pressiona e prende por alguns instantes)
2. Botão **Mitologia** (quando pressionado e retido na posição desligada, coloca a unidade no modo CONFIGURAÇÃO)
3. Botão **Fatos surpreendentes**
4. Botão **Planetas**
5. Botão **Retornar** (também baixa o volume quando pressionado e retido durante a narração do aparelho de mão)
6. Botão **Avançar** (também baixa o volume quando pressionado e retido durante a narração do aparelho de mão)



FUNÇÕES DOS BOTÕES

TODOS OS BOTÕES SE ILUMINAM PARA O USO À NOITE.

O botão do modo **Constelação** permite fazer um tour de diversas constelações conhecidas e fornece informações básicas sobre cada uma delas, incluindo dicas de como encontrar e navegar por elas, assim como informações específicas sobre estrelas especiais ou outros objetos localizados dentro delas.

O botão do modo **Mitologia** permite ouvir histórias e mitos da antiguidade, revelando o motivo pelo qual as constelações são representadas e recebem seus nomes.

O botão do modo **Fatos Surpreendentes** fornece informações singulares relacionadas a cada constelação, incluindo distância às estrelas, tamanho e outras informações interessantes.

O botão do modo **Planetas** fornece um tour orientado dos planetas.

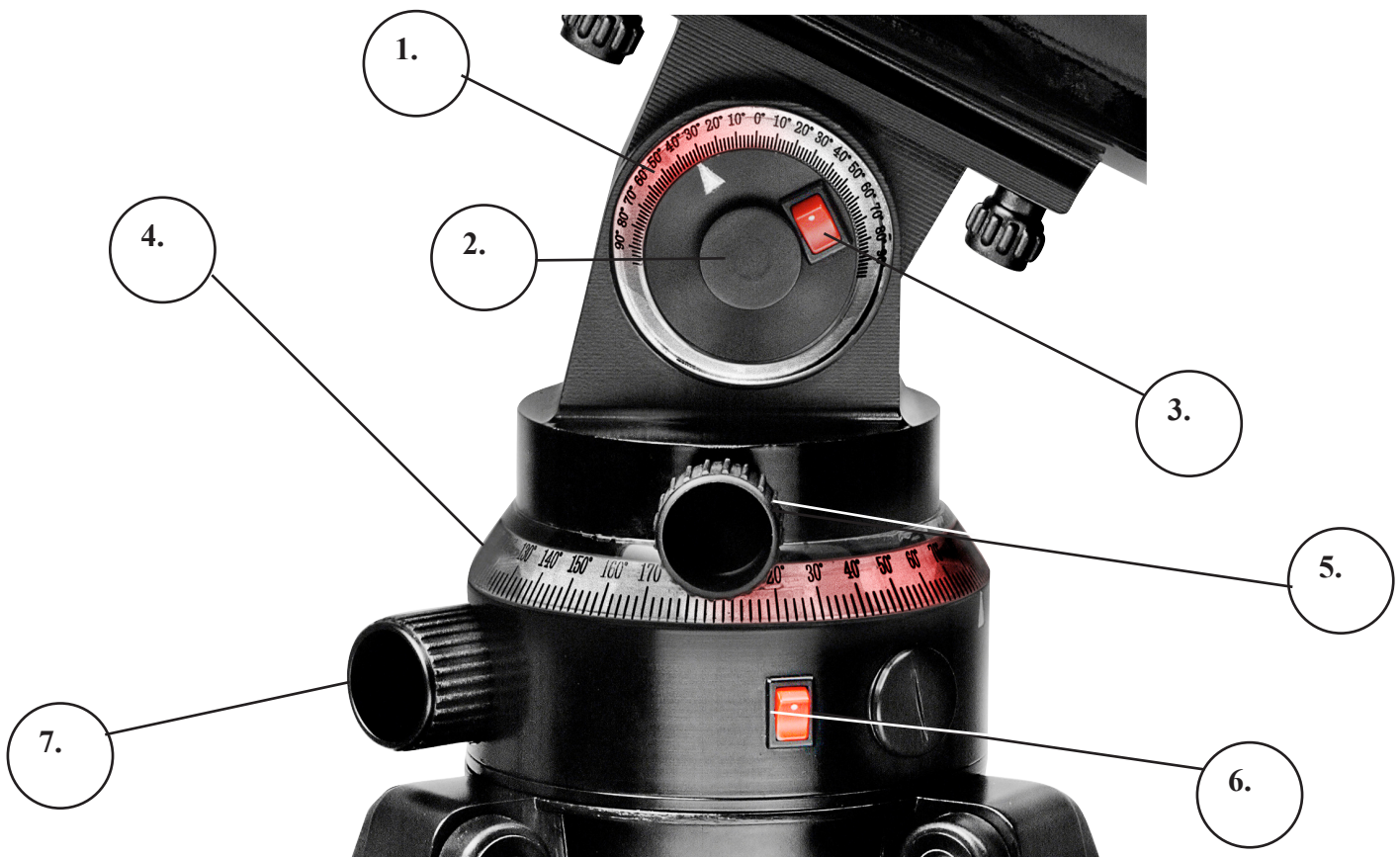
Observação: para tirar máximo proveito do Sky Tour, por exemplo no tour das constelações, escute todo conjunto de informações, passando para outro só depois disso. Toda vez que você alternar para outro modo, ouvirá mais informações, porém poderá perder certas informações do modo anterior, a menos que continue selecionando avançar para escutar mais até que as informações comecem a se repetir.

Pressionar o botão de qualquer modo sequencialmente mais de uma vez avançará ao próximo objeto do tour do modo em questão.

O aparelho de mão desligará automaticamente após determinado período de tempo para conservar a carga das pilhas. Entretanto, o suporte iluminado e a buscadora de ponto vermelho devem ser desligados manualmente.

LISTA DE PEÇAS DA EMBALAGEM – TODOS OS MODELOS

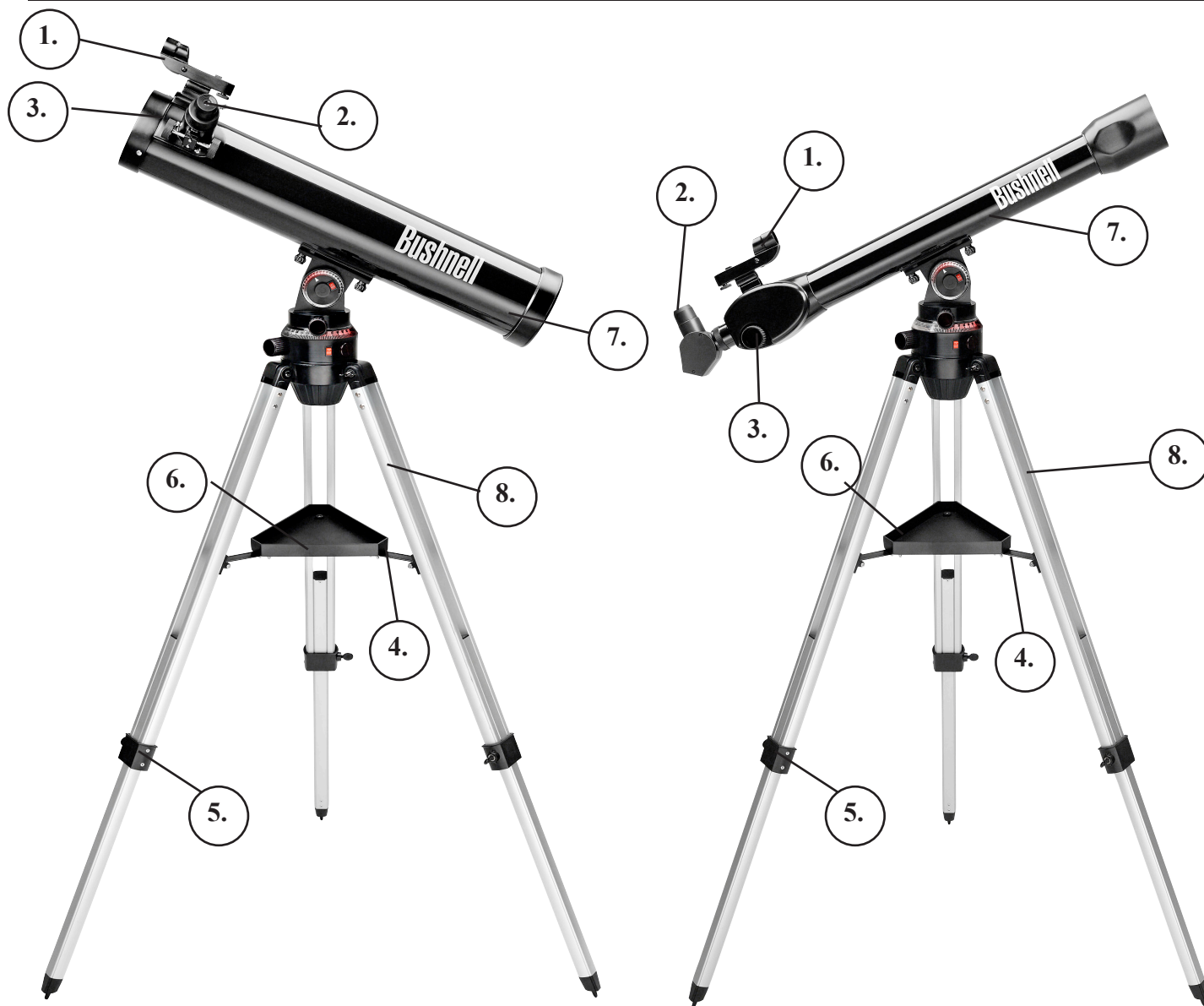
1. Buscadora de ponto vermelho
2. Oculares com formato de 1,25”
3. Suporte de telescópio iluminado com tripé ajustável de alumínio
4. Espelho diagonal (refratores somente)
5. Ocular com ampliação de 1,5x (somente em modelos seletos)
6. Aparelho de mão Sky Tour
7. Tubo do telescópio principal
8. Bússola
9. Lente Barlow (somente em modelos seletos)



Legenda das peças do suporte do telescópio

- | | |
|--|--|
| 1. Mostrador iluminado de altitude | 5. Botão de fixação do azimute |
| 2. Botão de fixação da altitude (atrás) | 6. Chave de luz do mostrador de azimute |
| 3. Chave de luz do mostrador de altitude | 7. Botão de ajuste superior do azimute (usado somente quando o botão de fixação do azimute estiver acionado) |
| 4. Mostrador iluminado de azimute | |

PRINCIPAIS COMPONENTES DO TELESCÓPIO



78-9930/78-9945

78-9960/78-9970

Legenda de componentes do telescópio

- | | |
|--|---|
| 1. Buscadora de ponto vermelho | 5. Ajuste dos pés do tripé |
| 2. Ocular com formato de 1,25" | 6. Bandeja de acessórios com desengate rápido |
| 3. Mecanismo de foco de cremalheira e pinhão | 7. Tubo do telescópio principal |
| 4. Suporte de bandeja para acessórios | 8. Tripé ajustável de alumínio |

MONTAGEM DETALHADA

Nenhuma ferramenta é necessária para a montagem do telescópio.

Retire os componentes da caixa e identifique todas as peças. É recomendável dispor todas elas na sua frente antes de iniciar a montagem. Como o telescópio é um sistema óptico de precisão, seus componentes devem ser manuseados cuidadosamente, sobretudo o aparelho de mão Sky Tour, o telescópio, as oculares e os acessórios diversos.

Configuração do tripé e bandeja para acessórios

1. Coloque o conjunto do suporte iluminado Voyager, com as pernas do tripé previamente conectadas, sobre uma superfície nivelada. Abra totalmente as pernas do tripé.
2. Dobre os suportes da bandeja para acessórios e coloque a bandeja com desengate rápido sobre os suportes.
3. Insira o parafuso da bandeja para acessórios pelo centro dos suportes e aperte o parafuso.
4. Ajuste a altura do tripé soltando os parafusos de ajuste das pernas, estendendo-as até a altura desejada. Aperte os parafusos de ajuste das pernas do tripé.

Conecte o tubo do telescópio

1. Localize o tubo do telescópio principal.
2. Retire as duas porcas dos parafusos do tubo do telescópio que se estendem pelo lado inferior.
3. Posicione o tubo do telescópio principal com os parafusos de conexão voltados para baixo pelos dois furos no topo do suporte do telescópio iluminado.
4. Reconecte as porcas do parafuso do tubo do telescópio e aperte.

Conecte os acessórios finais do telescópio

1. Localize a buscadora de ponto vermelho
2. Coloque a buscadora sobre a orelha de fixação correspondente no topo do tubo do telescópio, próximo ao mecanismo de foco
3. Deslize para frente até assentar com segurança. A extremidade grande da buscadora deve ficar voltada para a extremidade aberta do tubo do telescópio.
4. Conecte a ocular de baixa potência.
 - a. No caso de telescópios refletores, insira a ocular diretamente no mecanismo do tubo de foco.
 - b. No caso de telescópios refratores, insira a ocular no espelho diagonal. Em seguida, insira o espelho diagonal no mecanismo do tubo de foco.
5. Aperte todos os parafusos de ajuste para prender os acessórios.

ACESSÓRIOS PARA LENTES

Lente Barlow (somente em modelos seletos)

Algumas unidades Voyager com Sky Tour vêm com lente Barlow. Este acessório permitirá um uso duplo da ocular. Basta colocar a lente Barlow entre o mecanismo de foco e a ocular para os telescópios refletores, ou entre o mecanismo de foco e o espelho diagonal para os telescópios refratores. Dependendo das especificações da lente Barlow, o uso desses acessórios poderá duplicar ou até mesmo triplicar a ampliação da ocular. Lembre-se: a potência baixa é sempre recomendada, porém maiores potências são especialmente boas para a visualização de objetos maiores e mais brilhantes, como a lua e os planetas.

MONTAGEM DETALHADA (CONTINUAÇÃO)

ACESSÓRIOS PARA ALENTE - continuação

Lente de aumento de 1,5x (somente em modelos seletos)

Este acessório permite visualizar objetos terrestres, como seriam observados naturalmente a olho nu. Para usar esse acessório, basta colocar a lente de aumento entre a ocular e o mecanismo de foco no telescópio.

FOCALIZAÇÃO DO TELESCÓPIO

1. Após selecionar a ocular desejada, mire o tubo do telescópio principal em um alvo terrestre que se encontre pelo menos a 180 metros de distância (como um poste telefônico ou prédio). Estenda totalmente o tubo de foco girando o mecanismo de focalização de cremalheira e pinhão.
2. Olhando pela ocular selecionada, retraia lentamente o tubo de focalização girando o mecanismo de cremalheira e pinhão até o objeto entrar em foco.

ALINHAMENTO DA BUSCADORA

1. Olhe pelo tubo do telescópio principal e estabeleça um alvo bem definido. (consulte a seção de focalização do telescópio).
2. Olhando pela buscadora, aperte alternadamente cada parafuso de ajuste até que o centro da buscadora esteja centrado com precisão no mesmo objeto que o campo de visão do tubo do telescópio principal.
3. Agora os objetos inicialmente localizados com a buscadora estarão também centrados no campo de visão do tubo do telescópio principal.

INSTALAÇÃO DAS PILHAS

O aparelho de mão do Sky Tour é alimentado por 3 pilhas de tamanho AA (fornecidas pelo usuário), instaladas como na maioria dos controladores remotos.

O suporte iluminado Voyager é alimentado por duas baterias de relógio CR1620 (incluídas). Essas baterias são instaladas retirando-se a tampa localizada ao lado das chaves liga/desliga do mostrador iluminado..

**NUNCA OLHE DIRETAMENTE PARA O SOL
COM O TELESCÓPIO
PODERÃO OCORRER LESÕES PERMANENTES
EM SEUS OLHOS**



CONFIGURAÇÃO INICIAL E OPERAÇÃO BÁSICA

1. Instale o telescópio montado sobre uma superfície nivelada. O quintal é preferível ao deque dos fundos de sua casa.
2. Ligue as chaves dos mostradores para iluminar o suporte do telescópio.
3. Consulte o sentido indicado pelo “0” na bússola incluída para alinhar o telescópio corretamente. Para orientar o telescópio na mesma referência “0”, siga as etapas abaixo (consulte a “Legenda de peças do suporte do telescópio” na página de ilustração das peças):
 - a. Encontre a seta indicadora preta, localizada pouco abaixo do mostrador de azimute no suporte.
 - b. Movimente o tripé (ou o telescópio todo) até a seta indicadora apontar no sentido indicado pelo "0" na bússola.
 - c. Solte o botão de fixação do azimute e gire o tubo do telescópio até que esteja alinhado no mesmo sentido da seta indicadora (“0” na bússola). Nos telescópios refratores, a lente objetiva grande deve estar apontando no mesmo sentido da seta indicadora. Nos telescópios refletos, a extremidade “aberta” do tubo do telescópio deve apontar nesse sentido.
 - d. Para finalizar, com o botão de fixação do azimute ainda solto, gire seu mostrador iluminado que forma que o “0” no mostrador fique alinhado com a seta indicadora, o tubo do telescópio e a parte superior da bússola.
4. Ligue o aparelho de mão do Sky Tour pressionando e prendendo o "botão Constelação".
 - a. Se esta for a primeira vez que estiver fazendo a configuração, o aparelho de mão solicitará a definição da data, hora e informações do local. Uma vez definidas, o aparelho de mão do Sky Tour reterá essas informações até que as pilhas sejam trocadas. Para encontrar a latitude e a longitude, verifique um mapa de sua área ou acesse o website da Bushnell (www.bushnell.com) para obter auxílio.
 - b. Após definidos o local e hora, o aparelho de mão informará automaticamente sua hora local e os objetos disponíveis para sua observação à noite.
5. Selecione o modo de operação desejado pressionando o botão correspondente: Constelações, Mitologia, Fatos surpreendentes ou Planetas.
6. Em seguida, o aparelho de mão do Sky Tour fornecerá um número de altitude (correspondente ao mostrador superior) e um número para azimute (correspondente ao mostrador inferior) para observação do objeto selecionado.
7. Não se preocupe se errar os números, pois poderá repeti-los pressionando o botão retornar.
8. Movimente o telescópio na altitude e azimute dos números correspondentes nos mostradores e o telescópio apontará para o objeto que você selecionou!
9. Continue pressionando o botão avançar para ouvir informações adicionais neste modo até começarem a repetir, e então selecione um modo diferente.
10. Não é necessário escutar todos os itens em cada modo: se preferir, passe de um modo para outro.
11. Toda vez que um novo modo for selecionado, serão fornecidas orientações para o primeiro objeto daquele modo. Basta movimentar o telescópio para fazer a observação e apreciar as informações à medida que forem narradas.
12. O modo planetas é singular, pois permite ouvir informações básicas sobre os cinco planetas mais brilhantes e sobre a lua.
13. Após concluir o tour de cada modo, pode-se avançar para o próximo objeto pressionando o modo desejado uma segunda vez. Isso fará com que o aparelho de mão passe ao próximo objeto do tour.
14. Se desejado, o telescópio e aparelho de mão podem ser usados separadamente.

- O telescópio é um instrumento extremamente sensível. Para melhores resultados e menos vibrações, coloque o telescópio em um local nivelado sobre o solo em vez de deixá-lo na entrada de concreto da garagem ou sobre um deque de madeira. Isso fornecerá uma base mais estável para a observação, principalmente se ele chamar a atenção de outras pessoas.
- Se possível, faça a observação a partir de um local com pouca iluminação. Isto permitirá ver objetos mais desvanecidos. Você ficará surpreso em saber o quanto mais pode ser observado de um parque ou lago local, quando comparado ao fundo do quintal em uma cidade iluminada.
- NUNCA é recomendável utilizar o telescópio pela janela.
- Se possível, observe objetos que estejam bem no alto do céu. Aguardar até que objeto esteja posicionado acima da linha do horizonte proporcionará uma imagem mais nítida e brilhante. Os objetos no horizonte são vistos através de diversas camadas da atmosfera terrestre. Você já pensou por que a lua parece ter uma cor alaranjada quando se põe no horizonte?
É porque você está observando por uma quantidade de atmosfera consideravelmente maior do que se ela estivesse diretamente acima.
(Observação: se os objetos no céu parecem distorcidos ou ondulados, provavelmente a observação está sendo realizada em uma noite de umidade muito elevada.) Durante as noites em que a atmosfera se encontra instável, a utilização do telescópio poderá ser muito frustrante, quando não impossível. Os astrônomos se referem às noites claras e nítidas como noites para “fazer boas observações”.

UTILIZAÇÃO INICIAL DE SEU NOVO TELESCÓPIO

1. Primeiro, selecione um objeto a ser observado. Qualquer objeto brilhante no céu noturno é um bom ponto de partida. Um dos favoritos na astronomia é a Lua. Ela seguramente agradará a todo astrônomo principiante ou mesmo um veterano experiente. Quando você se tornar proficiente neste nível, outros objetos se tornarão boas opções. Saturno, Marte, Júpiter e Vênus são outras boas opções em uma segunda etapa.

A Lua--uma incrível vista das proximidades da lua pode ser apreciada com qualquer ampliação. Experimente fazer observações durante as diferentes fases da lua. As terras altas lunares, a Maria Lunar (áreas baixas ou planícies também conhecidas como “mares” por sua coloração escura), crateras, cristas e montanhas vão lhe deixar perplexo.

Saturno--mesmo na potência mais baixa será possível observar os anéis e as luas de Saturno. É um dos objetos mais aprazíveis de se observar no céu, simplesmente porque parece exatamente como mostram as fotografias. Imagine observar, de seu próprio quintal, o que você já viu em centenas de livros ou imagens da NASA!

Júpiter – o maior planeta de nosso sistema solar é espetacular. Suas características mais marcantes são as listras ou faixas escuras acima e abaixo de seu equador: são as cintas equatoriais norte e sul. De grande interesse são também as quatro luas de Júpiter. Preste atenção nas suas posições em diferentes noites: elas parecem estar alinhadas em qualquer uma das faces de Júpiter.

Marte-- o grande planeta vermelho parece um disco laranja avermelhado. Observe-o durante diferentes épocas do ano e vislumbre as calotas de gelo polar.

Vênus - assim como a lua, Vênus muda de fase de mês a mês. Algumas observações de Vênus lembram uma distante lua crescente.

Nebulosa—A grande Nebulosa de Órion é muito conhecida do céu noturno. Ela e muitas outras nebulosas podem ser observadas com este telescópio.

Aglomerados de estrelas -- observe milhares de estrelas densamente aglomeradas como uma bola.

Galáxias -- uma das maiores e mais interessantes galáxias nas proximidades é a Galáxia de Andrômeda. Observe esta e muitas outras.

E muito, muito mais!

Embora este manual tenha o objetivo de auxiliar na configuração e no uso básico deste instrumento, ele não abrange tudo aquilo que talvez deseje saber sobre astronomia. Um guia básico de astronomia será essencial para observar outros objetos além das estrelas e constelações.

Uma lista de orientações recomendadas pode ser encontrada em nosso website: www.bushnell.com

O website relaciona também eventos que estão ocorrendo no céu e que valem a pena ser vistos.

2. Após configurar o telescópio e selecionar um objeto para a observação, posicione-o no centro da buscadora. Uma vez que tenha sido feito um trabalho razoável no alinhamento da buscadora, uma rápida olhadela pelo tubo do telescópio principal em baixa potência deverá revelar a mesma imagem. Com a ocular de potência mais baixa (aquela com o maior número impresso sobre ela), deverá ter condições de focalizar a mesma imagem observada pela buscadora. Evite a tentação de passar diretamente para a potência mais elevada. A ocular de baixa potência oferecerá um campo de visão mais amplo e uma imagem mais nítida, tornando muito fácil encontrar o objeto alvo. Agora, com a imagem focalizada em ambos os telescópios, você já venceu o primeiro obstáculo. Caso não apareça a imagem após a tentativa de focalizá-la, talvez seja uma boa idéia alinhar a buscadora novamente. Uma vez ultrapassada esta etapa, você desfrutará o tempo dedicado para assegurar um bom alinhamento. Todo objeto centrado na buscadora será facilmente encontrado no tubo do telescópio principal, o que é importante para continuar explorando o céu noturno.

3. As oculares de menor potência são perfeitas para observar a lua cheia, planetas, aglomerados de estrelas, nebulosas e até mesmo constelações. Elas devem desenvolver seu alicerce. Entretanto, para obter mais detalhes, tente aumentar a ampliação com as oculares de potência mais elevada em alguns desses objetos. É maravilhoso observar a linha de separação entre a parte iluminada e não iluminada da Lua (denominada “Terminador”) com potências elevadas nas noites calmas e claras. É possível observar montanhas, cristas e crateras que chamam a atenção devido aos seus contrastes. De mesma maneira é possível usar ampliações maiores na observação de planetas e nebulosas. Estrelas e aglomerados de estrelas são sempre melhor visualizados com potências menores.

4. O espetáculo que denominamos “tela” do céu noturno está constantemente mudando. Em outras palavras, o mesmo “filme” não está sempre em cartaz. Ao contrário, as posições das estrelas mudam não somente no instante que parecem nascer e se pôr, mas também no decorrer do ano. À medida que a terra descreve sua órbita em torno do sol, nossa perspectiva das estrelas muda segundo um ciclo anual em relação àquela órbita. A razão pela qual o céu parece estar diariamente em movimento, assim como o sol e a Lua “se movimentam” pelo céu, é que a terra gira em torno de seu próprio eixo. Conseqüentemente, pode-se notar que após alguns minutos, ou mesmo segundos, dependendo da potência na qual se faz a observação, os objetos mudarão de posição no telescópio. Principalmente em ampliações maiores, se observará que a lua ou Júpiter “correm” para fora do campo de visão. Para compensar, basta movimentar os controles de ajustes mais precisos no telescópio para “rastrear” o objeto na trajetória necessária.

OBSERVAÇÕES

GARANTIA / CONSERTO

GARANTIA VITALÍCIA LIMITADA DO TELESCÓPIO

O telescópio Bushnell® é garantido contra defeitos de material e mão-de-obra, vigente por toda a vida de seu proprietário original. A Garantia Vitalícia Limitada é uma expressão da confiança nos materiais e trabalho mecânico de nossos produtos e assegura uma existência de serviço confiável.

Seu telescópio inclui componentes elétricos, os quais são garantidos contra defeitos de materiais e fabricação por um período de dois anos após a data de compra.

Caso surjam defeitos durante o prazo vigente desta garantia, iremos, segundo nossa discricão, reparar ou substituir o produto, desde que ele seja retornado com porte postal pré-pago. Esta garantia não cobre danos causados pelo uso indevido, manuseio impróprio e a instalação ou manutenção realizada por qualquer outra empresa ou indivíduo, exceto o Departamento de Serviços Autorizados da Bushnell (Bushnell Authorized Service Department).

Toda devolução feita sob esta garantia deverá incluir os itens relacionados abaixo:

- 1) Um cheque/ordem de pagamento no valor de USD 15,00 para cobrir o custo de porte e manuseio
- 2) Nome e endereço para a devolução do produto
- 3) Uma explicação do defeito
- 4) Comprovante da data de compra
- 5) O produto deverá ser embalado em uma caixa para transporte resistente, a fim de evitar danos quando o produto estiver sendo transportado, com porte de retorno pré-pago ao endereço relacionado abaixo:

Nos EUA envie para:
Bushnell Outdoor Products
Attn.: Repairs
8500 Marshall Drive
Lenexa, Kansas 66214

No CANADÁ envie para:
Bushnell Outdoor Products
Attn.: Repairs
25A East Pearce Street, Unit 1
Richmond Hill, Ontario L4B 2M9

Para produtos adquiridos fora dos Estados Unidos ou do Canadá, entre em contato com seu revendedor local para obter informações específicas da garantia. Na Europa, contate a Bushnell em:

Bushnell Germany GmbH
European Service Centre
Mathias-Brüggen-Str. 80
D-50827 Köln
GERMANY
Tel: +49 221 995568-0
Fax: +49 221 995568-20

Esta garantia concede-lhe direitos legais específicos.
O comprador poderá ter outros direitos, que variam de país para país.
©2010 Bushnell Outdoor Products

Bushnell®

For further questions or additional information please contact:

Bushnell Outdoor Products
9200 Cody, Overland Park, Kansas 66214
(800) 423-3537 • www.bushnell.com