

A blurred image of a telescope, likely the 76mm Reflector Telescope mentioned in the text, is centered on a black background. The telescope is oriented horizontally, with its objective lens on the left and its eyepiece on the right. The image is out of focus, showing soft, colorful bokeh in shades of red, orange, yellow, and blue.

76mm Reflector Telescope with Tripod  
INSTRUCTION MANUAL

VIV-TEL-76700

**Vivitar**

## Limited One Year Warranty

Vivitar warrants this quality product to be free of defects in material and workmanship for a period of one year from the date of purchase. During the period, Vivitar will repair or replace the product at no charge for parts or labor.

### TIME PERIOD OF THIS WARRANTY

The time period of this warranty starts from the date of the original purchase and expires on the first anniversary date of purchase.

### WHAT IS NOT COVERED BY THIS WARRANTY

No express or implied warranty is made for any defects in this product which result from accident, abuse, misuse, failure to operate the product in accordance with relevant instructions, neglect, immersion in or exposure to chemicals or liquids, extremes of climate, fungus, excessive wear and tear/cosmetic damage and defects resulting from other extraneous causes such as unauthorised disassembly, repair or modification.

This warranty shall not extend to any incidental or consequential damages arising from the purchase, use or inability to use this product even if Vivitar has been advised of such damages. The laws of some countries and some States thereof do not allow the limitation of incidental or consequential damages, so the above limitation or exclusion may apply to you.

## WHAT TO DO WHEN SERVICE IS NEEDED

STEP 1. Package the product and relevant accessories carefully, using ample padding materials and a sturdy mailing container to prevent damage in transit.

STEP 2. Include in package:

- a) Evidence of date and place of original purchase (for example, a copy of your sales receipt).
- b) Detailed description of your problem.
- c) When possible, a sample evidencing the problem.

STEP 3. Return item (insured) to: (in the U.S.):

Vivitar  
Attn: Technical Support  
195 Carter Drive  
Edison NJ 08817

(in the U.K.)

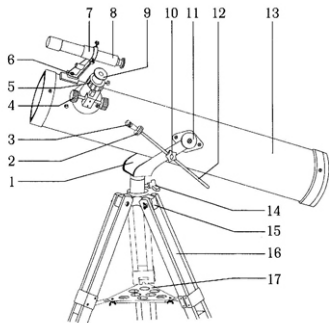
Sakar UK  
2D Siskin Parkway East  
CV3 4PE, UK

When service is complete, the product will be returned to you shipping prepaid. In the event the product is deemed to be not faulty or the defect is a result in wear and tear, Vivitar may levy a handling charge for the return of the product. This warranty gives you specific legal rights. You may also have other rights which vary from country and State to State thereof. For more information visit our website [www.vivitar.com](http://www.vivitar.com)

## TECHNICAL SUPPORT

For technical support issues please visit our website at [www.vivitar.com](http://www.vivitar.com). You can find manuals, software and FAQ's at the website. Can't find what you are looking for? E-mail us at [support@vivitar.com](mailto:support@vivitar.com) and one of our technical support team members will answer your questions. For phone support in the US please call 1-800-592-9541, in the UK call 0800 917 4831. If you would like to call from anywhere else, please visit [www.vivitar.com](http://www.vivitar.com) for your local toll free number.

## A Quick Look at Your Device



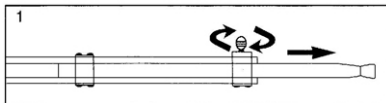
1. Main mount
2. Pitching slim auxiliary knob
3. Pitching shaft screw
4. Rack and pinion focusing knob
5. Eyepiece joint tube
6. Thumb nut for sighting scope
7. Sighting scope bracket
8. Sighting scope
9. Eyepiece
10. Pitching clamp handle screw
11. Left and right blocks
12. Pitching shaft
13. Main tube
14. Horizontal locking auxiliary screw
15. Mount base
16. Tripod legs
17. Accessory dish

## Introduction

Thank you for purchasing your 76mm Reflector Telescope. Your telescope is a precision optical instrument which you can use to learn more about space, the study of astronomy, and the world around you. Please read this manual before using your flash in order to get the best results possible.

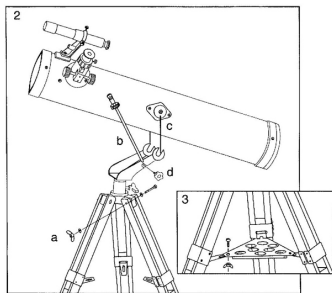
## Assembling Your Telescope

1. Remove the tripod legs from the box and extend each of them to a suitable length from top to bottom, and then tighten the locking knob (see fig. 1).

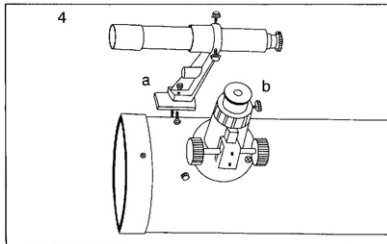


## Assembling Your Telescope (continued)

2. Connect each leg and the mount base using long screws and wing nuts (see fig. 2a), but not tighten.
3. Stretch out the tripod legs so that you can put the accessory dish on it, connecting them with short screws and wing nuts (see fig. 3) . Tighten the wing nuts of the tripod legs.
4. Connect the pitching shaft to the main tube using the pitching shaft screw (see fig. 2b) .
5. Loosen the left and right blocks on the main tube, and then connect the main tube to the main mount. Tighten the right and left blocks (see fig. 2c) and tighten the pitching clamp handle screw (see fig. 2d) .



## Assembling Your Telescope (continued)



6. Take off the thumb nuts for the sighting scope , and loosely insert the two bolts on the sighting scope bracket so they are aiming the main tube into them. Whirl the thumb nuts back and tighten them (see fig. 4a).

7. Install the eyepiece (or erecting eyepiece ) in the eyepiece joint tube, tighten the locking screws (see fig. 4b ).



## Using Your Telescope's Accessories

1. Eyepieces : Insert any of the eyepieces into the eyepiece joint tube and tighten the locking screws. This will provide you with the optical power that you need.
2. The Sighting Scope : The sighting scope has a low magnification and wide visual field, which can help you find far away objects quickly.
3. Erecting Eyepiece: Put the erecting eyepiece in the eyepiece joint tube, and tighten the locking screw. The image you are viewing will be straighten out , but the image can be a bit dim.
4. Moon Filter : Because there is a great deal of reflected glare when the full moon is observed , the addition of the moon filter will remove this glare and make it possible to sharpen surface details . At other times , this filter is unnecessary and a sharper image can be obtained without it . The moon filter is screwed into the eyepiece in the same way that the sun filter is added .

## Tips on Using Your Telescope

The telescope is a precision optical instrument . The more you know about it, and the more carefully you maintain it, the many service it will provide for you.

What you see through the telescope and whether you see clearly is dependant on three factors: magnification , brightness and resolving power. There is a common misconception that it would be better if the magnification is bigger at all times .While one of the most important functions of the telescope is to magnify, you must keep in mind that the effective magnification is after all limited . For example if the magnificafion gets too big it will make the image dim and the field of view narrow . So it is necessary to consider about the three factors altogether.

## Factors That Effect Observing Results

1. Hot air is always moving through the atmosphere .This motion can cause bad images in high power conditions, which is why it is often preferred to observe at several night .
2. Hot air on the surface of the earth will also cause waves of the air to make the image twisted and crushed . This can make the observing conditions very bad.
3. Light pollution : try hard not to use your telescope around street lights , or under your home's lights.
- 4 .Moonlight is another factor that affects tone's observation , as the full moon or the bright moonlight will make the stars and the planets nearby dim .
5. Be careful not to observe from open windows (or even through closed windows) especially during winter when the temperature outdoors varies greatly compared to the temperature indoors.
6. Clouds in the sky can hinder your observations , but fortunately these clouds will move often .
7. Heavy fog can make observation impossible.

## Maintaining Your Telescope

The mirrors and lenses are the most important and the most easily damaged parts of your telescope. To avoid affecting the precision and the performance of your optics, the mirrors or lens can't be casually taken out of their mount and the lens or mirrors must be cleaned as carefully as possible.

Cleaning : When it becomes necessary to clean the lens or mirrors , you should first clean off any dust with a suitable brush, and then drop a few drops of non-harsh cleaning fluid on a clean soft cloth, and brush any remaining prints or dust.

## Features and Specifications

Optical system gives a clear crisp view of your universe

Convenient direction control handle located on the tripod

Your Choice of 2 Magnification Eye pieces included 263x, 525x

Full size adjustable aluminum tripod

Aperture: 76mm(3")

Focal Length: 700mm.f/9;

Finderscope: 5X24

Eyepiece: SR4mm H8mm

3X Barlow Lens

Erecting lens: 1.5x





**Vivitar**