

INSTALL INSTRUCTIONS C-TCB-7-IMP

TELESCOPING COMPUTER BASE CHEVROLET IMPALA SPECIFIC C-SERIES-IMP CONSOLIDATOR® CONSOLE MOUNT (Example: C-1400-IMP)

TOOLS REQUIRED:

3/16" Allen wrench

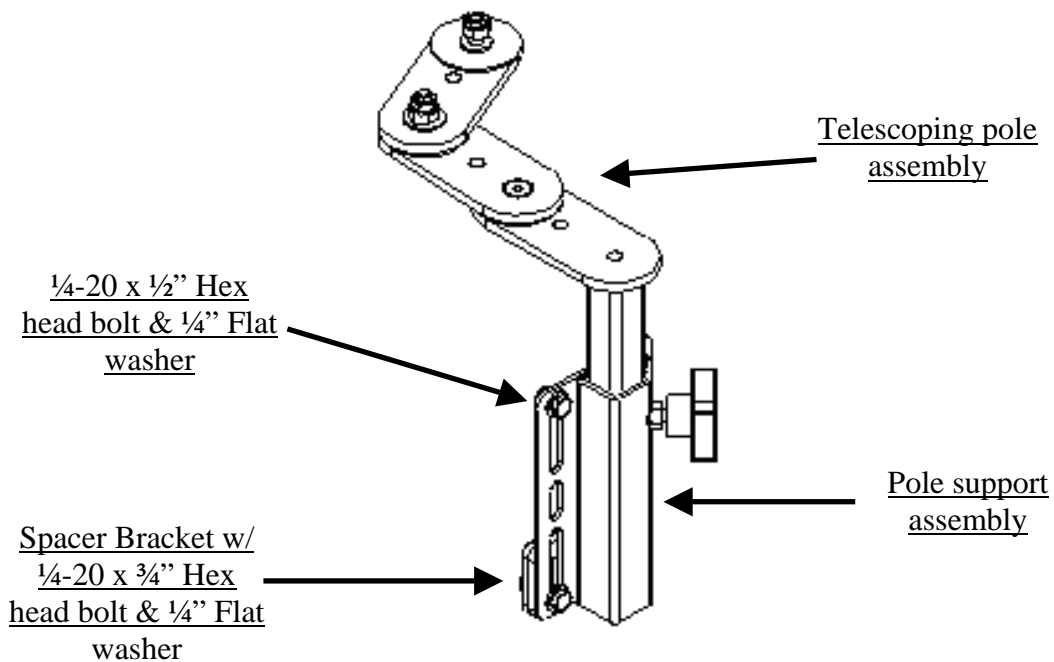
Open-end wrench set

HARDWARE & COMPONENTS:

<u>QTY</u>	<u>DESCRIPTION</u>	<u>PART #</u>
1	Pole support assembly	CM93071-7
1	Telescoping pole assembly	CM93072-1
1	Spacer bracket	CM93381
4	1/4-20 Hex nut	GSM30005
4	1/4" Flat washer	GSM31005
2	1/4-20-x 1/2" Hex head bolt	GSM33000
2	1/4-20 x 1" Hex head bolt	GSM33002

Always!

- Read all instructions before installing any Havis-Shields Equipment Corp products.
- Check for obstructions (Wire, brake lines, fuel tank, etc.) before drilling any holes!
- Use hardware provided with install kit



SUB ASSEMBLY:

1. Confirm receipt of all hardware and components.
2. Install Chevrolet Impala Specific C-Series-IMP Consolidator® into vehicle using hardware and instructions provided.
3. Determine location on console to mount C-TCB-7-IMP and be sure to leave room on passenger side of console to mount.

INSTALLATION:

1. Mount C-TCB-7-IMP on side of Chevrolet Impala Specific C-Series-IMP console.

- Position C-TCB-7-IMP on Passenger side of console.
- Attach to lower rail of console first.
- Position spacer bracket between C-TCB-7-IMP and C-Series-IMP console.
- Align nuts in rails to slotted holes on pole support assembly.
- Attach pole support assembly and spacer bracket to console using ¼-20 x ¾" Hex head bolts, washers and nuts with in the console rail.
- Now attach top of C-TCB-7-IMP using only ¼-20 x ½" Hex head bolts, washers and nuts with in console rail.

Note: Rails of console have (4) ¼-20 hex nuts on both top and bottom. (Extra nuts are provided if needed)

- Attach optional C-3090 Computer mounting platform to Telescoping pole assembly.

C-TCB-7-IMP mounted
on a C-1400-IMP console
(sold separately)

