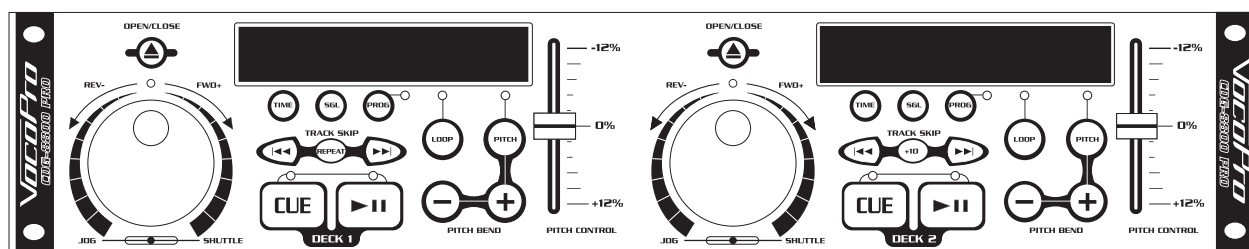
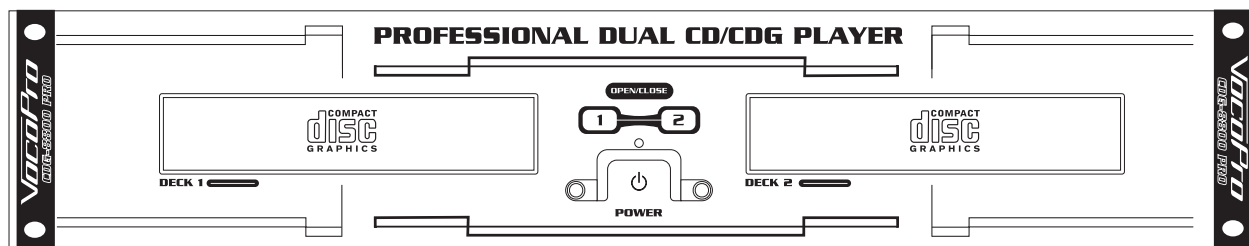


CDG-8800 PRO

Professional Dual-Deck CD/CD+G Player



OWNER'S MANUAL

VocoPro[®]
THE SINGERS ULTIMATE CHOICE[™]





Welcome,



And Thank you for purchasing the **CDG-8800 PRO** from VocoPro, your ultimate choice in Karaoke entertainment! With years of experience in the music entertainment business, VocoPro is a leading manufacturer of Karaoke equipment, and has been providing patrons of bars, churches, schools, clubs and individual consumers the opportunity to sound like a star with full-scale club models, in-home systems and mobile units. All our products offer solid performance and sound reliability, and to further strengthen our commitment to customer satisfaction, we have customer service and technical support professionals ready to assist you with your needs. We have provided some contact information for you below.

VocoPro

1728 Curtiss Court
La Verne, CA 91750

Toll Free: 800-678-5348

TEL: 909-593-8893

FAX: 909-593-8890

VocoPro Company Email Directory

Customer Service & General Information

info@vocopro.com

Tech Support

techsupport@vocopro.com

Remember Our Website

Be sure to visit the VocoPro website www.vocopro.com for the latest information on new products, packages and promos. And while you're there don't forget to check out our Club VocoPro for Karaoke news and events, chat rooms, club directories and even a Service directory!

We look forward to hearing you sound like a PRO, with VocoPro, your ultimate choice in Karaoke entertainment.

FOR YOUR RECORDS

Please record the model number and serial number below, for easy reference, in case of loss or theft. These numbers are located on the rear panel of the unit. Space is also provided for other relevant information

Model Number _____

Serial Number _____

Date of Purchase _____


Place of Purchase _____

Table of Contents


Introduction	
Safety Instructions	2
FCC Information	3
Listening for a Lifetime	4
Specifications and Features	5
Mounting	6
Getting Connected	7
Controls and Functions	
Player Unit	
Front Panel	8
Rear Panel	8
Controller Unit	
Front Panel	9
Rear Panel	10
Operations	11
Troubleshooting	13



Safety Instructions



CAUTION
RISK OF SHOCK



CAUTION: To reduce the risk of electric shock, do not remove cover (or back). No user-serviceable parts inside. Only refer servicing to qualified service personnel.

Explanation of Graphical Symbols



The lightning flash & arrowhead symbol, within an equilateral triangle, is intended to alert you to the presence of danger.



The exclamation point within an equilateral triangle is intended to alert you to the presence of important operating and servicing instructions.

WARNING

To reduce the risk of fire or electric shock, do not expose this unit to rain or moisture.

1. Read Instructions - All the safety and operating instructions should be read before the appliance is operated.

2. Retain Instructions - The safety and operating instructions should be retained for future reference.

3. Heed Warnings - All warnings on the appliance and in the operating instructions should be adhered to.

4. Follow Instructions - All operating and use instructions should be followed.

5. Attachments - Do not use attachments not recommended by the product manufacturer as they may cause hazards.

6. Water and Moisture - Do not use this unit near water. For example, near a bathtub or in a wet basement and the like.

7. Carts and Stands - The appliance should be used only with a cart or stand that is recommended by the manufacturer.

7 A. An appliance and cart combination should be moved with care. Quick stops, excessive force, and uneven surfaces may cause an overturn.



8. Ventilation - The appliance should be situated so its location does not interfere with its proper ventilation. For example, the appliance should not be situated on a bed, sofa, rug, or similar surface that may block the ventilation slots.

9. Heat - The appliance should be situated away from heat sources such as radiators, heat registers, stoves, or other appliances (including amplifiers) that produce heat.

10. Power Sources - The appliance should be connected to a power supply only of the type described in the operating instructions or as marked on the appliance.

11. Grounding or Polarization – Precautions should be taken so that the grounding or polarization means of an appliance is not defeated.

12. Power-Cord Protection – Power-supply cords should be routed so that they are not likely to be walked on or pinched by items placed upon or against them, paying particular attention to cords at plugs, convenience receptacles, and the point where they exit from the appliance.

13. Cleaning – Unplug this unit from the wall outlet before cleaning. Do not use liquid cleaners or aerosol cleaners. Use a damp cloth for cleaning.

14. Power lines – An outdoor antenna should be located away from power lines.

15. Nonuse Periods – The power cord of the appliance should be unplugged from the outlet when left unused for a long period of time.

16. Object and Liquid Entry – Care should be taken so that objects do not fall and liquids are not spilled into the enclosure through openings.

17. Damage Requiring Service – The appliance should be serviced by qualified service personnel when:

- A. The power supply cord or plug has been damaged; or
- B. Objects have fallen into the appliance; or
- C. The appliance has been exposed to rain; or
- D. The appliance does not appear to operate normally or exhibits a marked change in performance; or
- E. The appliance has been dropped, or the enclosure damaged.

18. Servicing – The user should not attempt to service the appliance beyond that described in the operating instructions. All other servicing should be referred to qualified service personnel.

Note:

To CATV system installers (U.S.A.): This reminder is provided to call the CATV system installers attention to Article 820-40 of the NEC that provides guidelines for proper grounding and, in particular, specifies that the cable ground shall be connected as close to the point of cable entry as practical.

FCC INFORMATION (U.S.A.)

1. IMPORTANT NOTICE: DO NOT MODIFY THIS

UNIT!: This product, when installed as indicated in the instructions contained in this manual, meets FCC requirements. Modifications not expressly approved by Vocopro may void your authority, granted by the FCC, to use this product.

2. IMPORTANT: When connecting this product to accessories and/or another product use only high quality shielded cables. Cable(s) supplied with this product **MUST** be used. Follow all installation instructions. Failure to follow instructions could void your FCC authorization to use this product in the U.S.A.

3. NOTE: This product has been tested and found to comply with the requirements listed in FCC Regulations, Part 15 for Class "B" digital devices. Compliance with these requirements provides a reasonable level of assurances that your use of this product in a residential environment will not result in harmful interference with other electronic devices. This equipment generates/uses radio frequencies and, if not installed and used according to the instructions found in the owner's manual, may cause interference harmful to the operation of other electronic devices. Compliance with FCC regulations does not guarantee that interference will not occur in all installations. If this product is found to be the source of interference, which can be determined by turning the unit "Off" and "On", please try to eliminate the problem by using one of the following measures:

Relocate either this product or the device that is being affected by the interference.

Use power outlets that are on different branch (circuit breaker or fuse) circuits or install AC line filter(s).

In the case of radio or TV interference, relocate/reorient the antenna. If the antenna lead-in is 300-ohm ribbon lead, change the lead-in to coaxial type cable.

If these corrective measures do not produce satisfactory results, please contact your local retailer authorized to distribute Vocopro products. If you can not locate the appropriate retailer, please contact Vocopro, 1728 Curtiss Court, La Verne, CA 91750.

CAUTION

The apparatus is not disconnected from the AC power source so long as it is connected to the wall outlet, even if the apparatus itself is turned off. To fully insure that the apparatus is indeed fully void of residual power, leave unit disconnected from the AC outlet for at least fifteen seconds.

CAUTION:

READ THIS BEFORE OPERATING YOUR UNIT

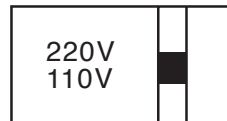
1. To ensure the finest performance, please read this manual carefully. Keep it in a safe place for future reference.
2. Install your unit in a cool, dry, clean place - away from windows, heat sources, and too much vibration, dust, moisture or cold. Avoid sources of hum (transformers, v motors). To prevent fire or electrical shock, do not expose to rain and water.
3. Do not operate the unit upside-down.
4. Never open the cabinet. If a foreign object drops into the set, contact your dealer.
5. Place the unit in a location with adequate air circulation. Do not interfere with its proper ventilation; this will cause the internal temperature to rise and may result in a failure.
6. Do not use force on switches, knobs or cords. When moving the unit, first turn the unit off. Then gently disconnect the power plug and the cords connecting to other equipment. Never pull the cord itself.
7. Do not attempt to clean the unit with chemical solvents: this might damage the finish. Use a clean, dry cloth.
8. Be sure to read the "Troubleshooting" section on common operating errors before concluding that your unit is faulty.
9. This unit consumes a fair amount of power even when the power switch is turned off. We recommend that you unplug the power cord from the wall outlet if the unit is not going to be used for a long time. This will save electricity and help prevent fire hazards. To disconnect the cord, pull it out by grasping the plug. Never pull the cord itself.
10. To prevent lightning damage, pull out the power cord and remove the antenna cable during an electrical storm.
11. The general digital signals may interfere with other equipment such as tuners or receivers. Move the system farther away from such equipment if interference is observed.

NOTE:

Please check the copyright laws in your country before recording from records, compact discs, radio, etc. Recording of copyrighted material may infringe copyright laws.

Voltage Selector (General Model Only)

Be sure to position the voltage selector to match the voltage of your local power lines before installing the unit.



Listening For A Lifetime

Selecting fine audio equipment such as the unit you've just purchased is only the start of your musical enjoyment. Now it's time to consider how you can maximize the fun and excitement your equipment offers. VocoPro and the Electronic Industries Association's Consumer Electronics Group want you to get the most out of your equipment by playing it at a safe level. One that lets the sound come through loud and clear without annoying blaring or distortion and, most importantly, without affecting your sensitive hearing.

Sound can be deceiving. Over time your hearing "comfort level" adapts to a higher volume of sound. So what sounds "normal" can actually be loud and harmful to your hearing. Guard against this by setting your equipment at a safe level BEFORE your hearing adapts.

To establish a safe level:

- Start your volume control at a low setting.
- Slowly increase the sound until you can hear it comfortably and clearly, and without distortion.

Once you have established a comfortable sound level:

- Set the dial and leave it there.
- Pay attention to the different levels in various recordings.

Taking a minute to do this now will help to prevent hearing damage or loss in the future. After all, we want you listening for a lifetime.

Used wisely, your new sound equipment will provide a lifetime of fun and enjoyment. Since hearing damage from loud noise is often undetectable until it is too late, this manufacturer and the Electronic Industries Association's Consumer Electronics Group recommend you avoid prolonged exposure to excessive noise. This list of sound levels is included for your protection.

Some common decibel ranges:

Level	Example
30	Quiet library, Soft whispers
40	Living room, Refrigerator, Bedroom away from traffic
50	Light traffic, Normal Conversation
60	Air Conditioner at 20 ft., Sewing machine
70	Vacuum cleaner, Hair dryer, Noisy Restaurant
80	Average city traffic, Garbage disposals, Alarm clock at 2 ft.

The following noises can be dangerous under constant exposure:

Level	Example
90	Subway, Motorcycle, Truck traffic, Lawn Mower
100	Garbage truck, Chainsaw, Pneumatics drill
120	Rock band concert in front of speakers
140	Gunshot blast, Jet plane
180	Rocket launching pad

-Information courtesy of the Deafness Research Foundation

Specifications and Features

Features

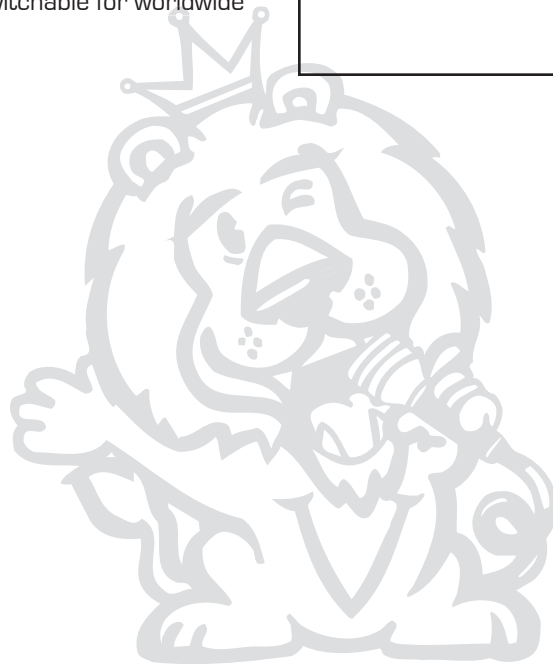
- Independent dual CD/CD+G players
- "Continue" feature automatically skips to the next disc tray and begins playing a paused disc when one is finished
- Single Track Mode stops playback after a single song has played
- External controller included
- Loop play through integrated sample feature
- Audio frame search for easy searching and cueing
- 12% +/- Pitch Control
- Anti-Scramble feature prevents graphical distortion when using Pitch Control
- Video output (each deck): RCA video out
- Audio output (each deck): RCA (L/R stereo), Coaxial
- Easy-Search via the Jog Dial on each deck using 4-Speed Fast Forward/Rewind
- Pitch Slider, Pitch Bender and Jog Dial for BPM matching and synchronization
- Rugged, Professional and Space Saver Design with 19" Rack Mount Chassis
- 110V-220V and NTSC/PAL switchable for worldwide compatibility

Technical Specifications

Linear Quantification	24 Bits
Sampling Frequency	44.1 KHz
Oversampling	x8
D/A Converter	24 bits
Frequency response	20Hz -20KHz
Harmonic distortion	0.03%
S/N Ratio	-85dB
Dynamic	80 dB
Cross Talk	60 dB
Output Level	1.8V
Load impedance	> 47K Ohms
Pitch	+/- 12%
Power Supply	115/230 VAC 25W

Dimensions

Controller:	19" x 3.6" x 2.6" (W x H x D)
Main Unit:	19" x 3.6" x 9.9" (W x H x D)
Weight	15.3 lbs.



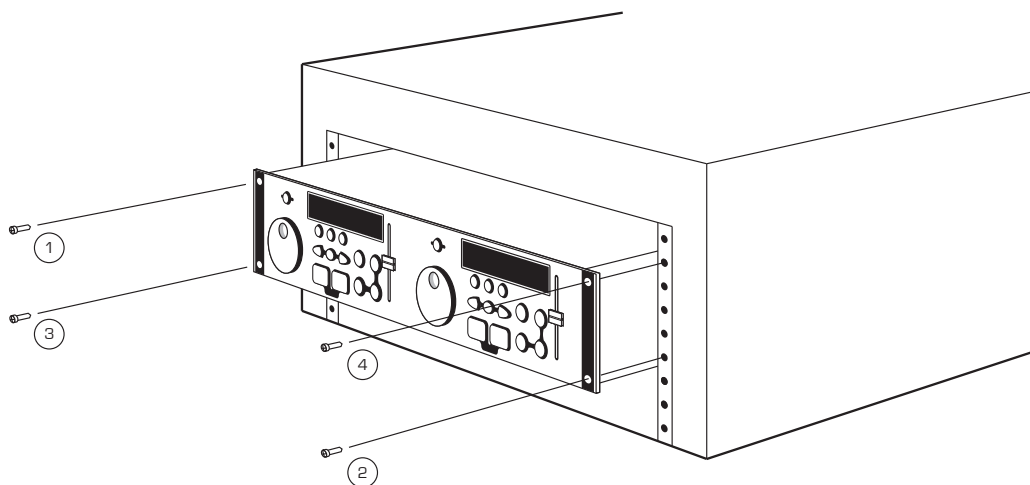
VocoPro
ULTIMATE CHOICE OF KARAOKE ENTERTAINMENT

Mounting the CDG-8800 PRO

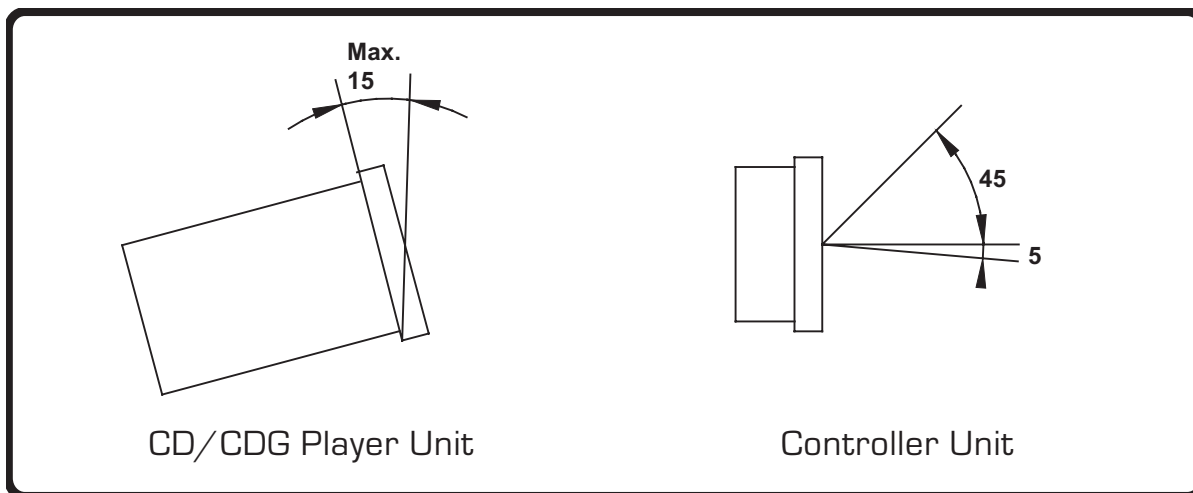
Installing the unit in a rackcase

Mount the CDG-8800 PRO into a console or rack with 19" rack rails. It can be mounted using 4 screws. Make sure the holes are aligned evenly and screw them in using an alternating "X" rotation to ensure even tension and alignment.

NOTE: The player unit and the external controller require 2 RUs of rack-space each. In order mount both, you must have at least 4 RUs of available rack-space.



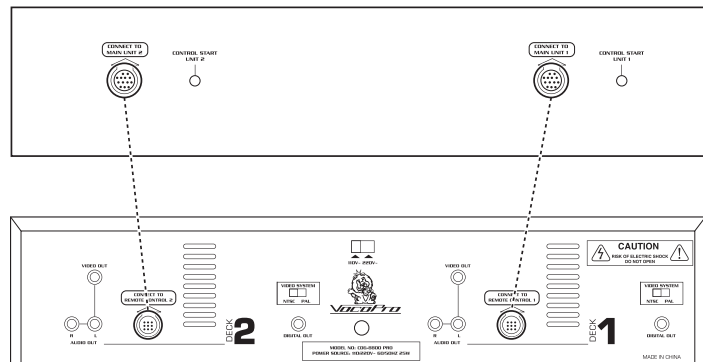
The player will operate properly when the main unit is mounted with the front panel at an angle within 15 degrees of the vertical plane. If the unit is tilted excessively, discs may not load or unload properly.



Getting Connected

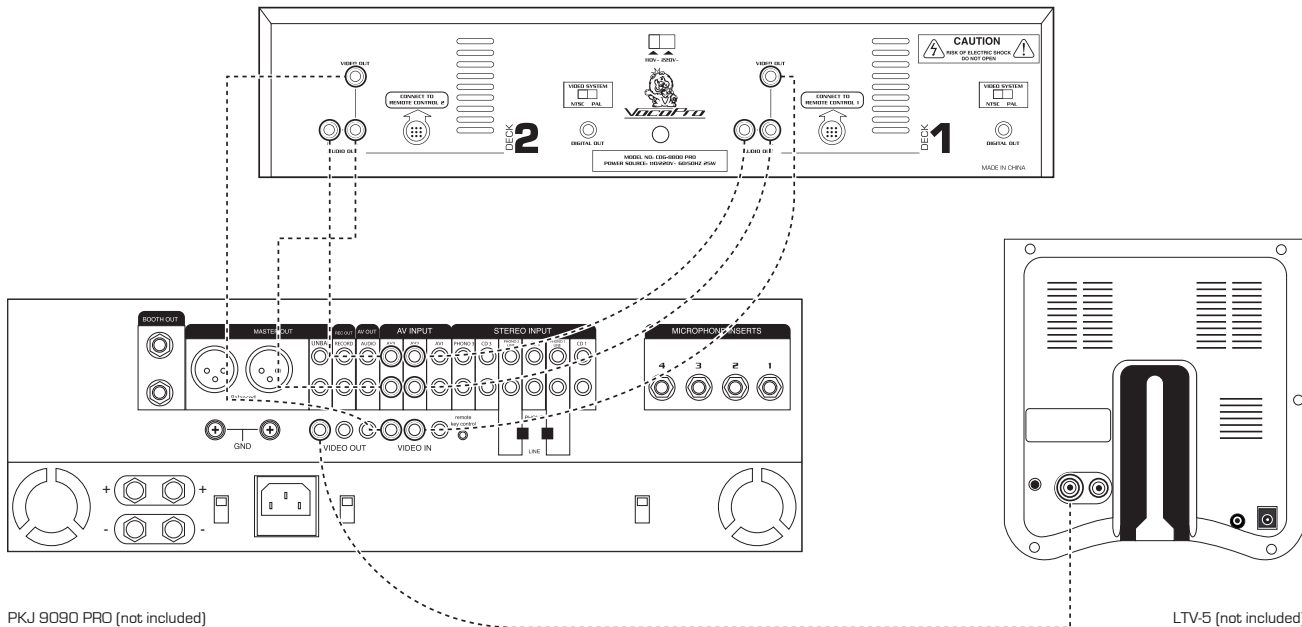
Connecting the external controller to the player

Using the included remote cables connect Remote 1 on the remote to Main Unit 1 on the player and connect Remote 2 to Main Unit 2.



Connecting to an Audio System (Mixer, Amp, etc.)

Using L/R RCA cables, connect the AUDIO OUT on each CDG-8800 PRO deck to the AUDIO IN on a mixer or amp.

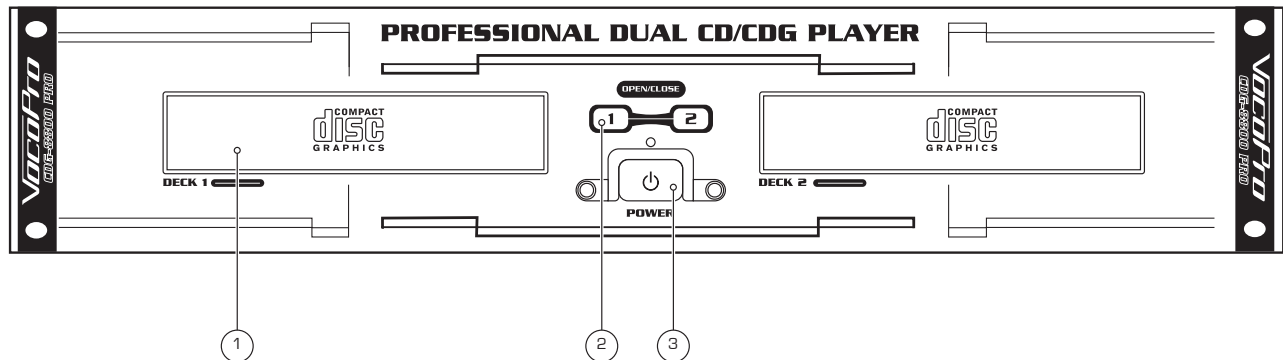


Connecting to a TV or Monitor

Using an RCA cable (yellow), connect the VIDEO OUT on each CDG-8800 PRO deck to the VIDEO IN on a TV or monitor. NOTE: If your TV or monitor has only one video input, you may need a video switching device or a mixer with video switching.

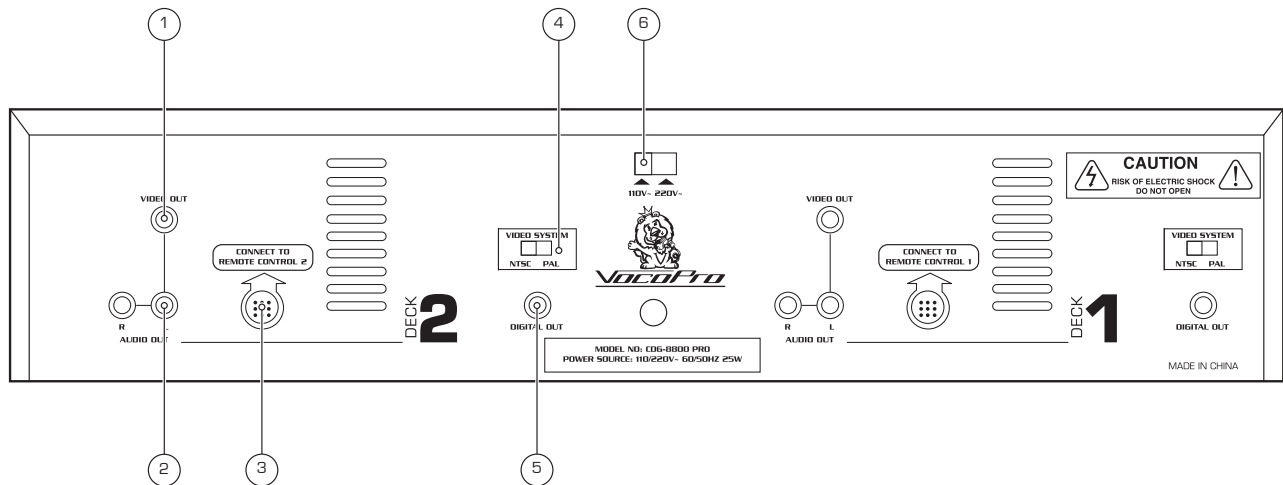
Controls and Functions - Player Unit

Front Panel



1. **DISC TRAY** – Insert discs here and press the OPEN/CLOSE button to open and close the disc tray.
2. **OPEN/CLOSE** – Opens and closes the corresponding disk tray. Pressing “1” will open and close Disk Tray 1 and pressing “2” will open and close Disk Tray 2.
3. **POWER** – When the POWER button is pressed, the power turns on. Pressing the POWER button while the unit is on will turn the unit off.

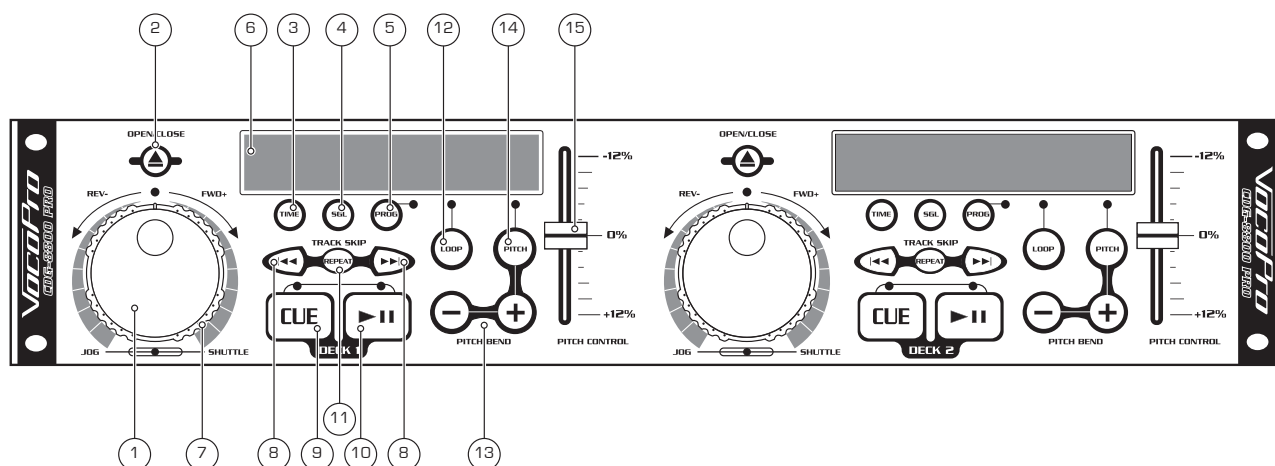
Rear Panel



1. **VIDEO OUT** – This jack outputs the CDG video signal to display graphics on your TV or monitor using RCA video cables
2. **AUDIO OUT** – The audio signals from each player are output from these jacks using RCA left and right cables.
3. **REMOTE CONTROLLER input** – Connects to the External Controller's CONNECT TO MAIN UNIT jacks.
4. **NTSC / PAL switch** – Switch between the video modes NTSC and PAL. Use NTSC for North American TV systems and PAL for European systems.
5. **DIGITAL COAXIAL audio out** – Connect the audio to a digital sound system with a coaxial input.
6. **VOLTAGE SELECTOR** – This switch can change the voltage from 110V to 220V. The CDG-8800 PRO is shipped with the switch set to 115V. If you live in an area that has different voltage requirements (230-240V), you **MUST** set it to 220V.

Controls and Functions - Controller Unit

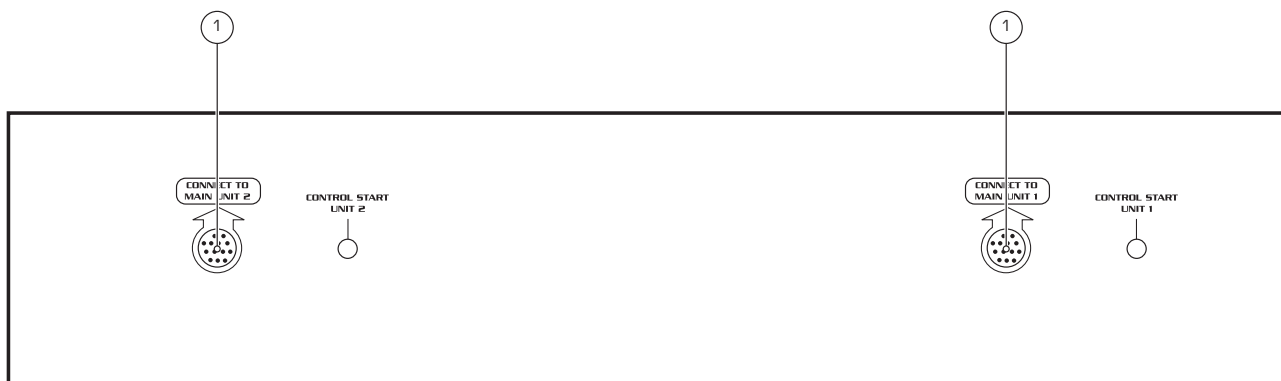
Front Panel



1. **JOG DIAL** – When the dial is turned while the CD is paused, the point at which the sound is paused moves by a number of frames corresponding to the number of clicks. Clockwise moves the point forward and counterclockwise moves the point backward.
2. **OPEN/CLOSE** – Press it to open and close the disc tray. The main unit also includes OPEN/CLOSE buttons. The disc tray cannot be opened during playback, so stop playback before pressing the button.
3. **TIME** – switches between three settings:
 - Elapsed playing time
 - Remaining time in the current song
 - Total remaining time of the disc.
4. **SGL** – Press this button to switch between the single and continuous play modes.
 - SINGLE mode: Playback will stop after a single song is finished.
 - CONTINUOUS mode: When a disc in one tray plays all the way through, the CDG-8800 PRO will automatically jump to the next disc tray and begin playing.
5. **PROGRAM** – Press the PROGRAM button and the player will stop the CD playback and enter the program mode.
6. **LCD DISPLAY** – Displays graphical information about playback settings and disc/song time.
7. **SHUTTLE DIAL** – Use the dial to select the scanning direction and speed. The disc is scanned in the forward direction when the shuttle dial is turned clockwise from the neutral position and in the reverse direction when the shuttle dial is turned counterclockwise. The scanning speed increases as the shuttle dial is turned farther.
8. **TRACK** [<< and >>] – Use these buttons to skip to the next track [>>] or jump back to a previous track [<<].
9. **CUE** – Press the CUE button during playback to return to the position at which playback started.
10. **PLAY/PAUSE** – Use this button to start playback. Press once to start playback, once again to set the pause mode, and once more to resume playback.
11. **REPEAT button** – Switches between the playback repeat functions, REPEAT ALL and REPEAT ONE.
 - REPEAT ALL - Repeats the entire disc after it plays all the way through.
 - REPEAT ONE - Repeats a single song continuously.
12. **LOOP** – Press the LOOP button to set the loop start point, press the LOOP button again to set the loop end point.
13. **PITCH +/-** – The CD slows down, lowering the pitch while the [-] button is pressed. Release the button to return to the original BPM. The CD speeds up, raising the pitch while the [+] button is pressed. Release the button to return to the original BPM.
14. **PITCH** – Turns the PITCH SLIDER on and off. The red LED above it indicates whether it is on or off.
15. **PITCH SLIDER** – Use the slider to adjust the CD pitch. Slide up to decrease the pitch or down to increase the pitch.

Controls and Functions - Controller Unit

Rear Panel



1. **CONNECT TO MAIN UNIT jacks** – Connect this jack to the REMOTE CONTROL jack on the player unit using the included control cord.

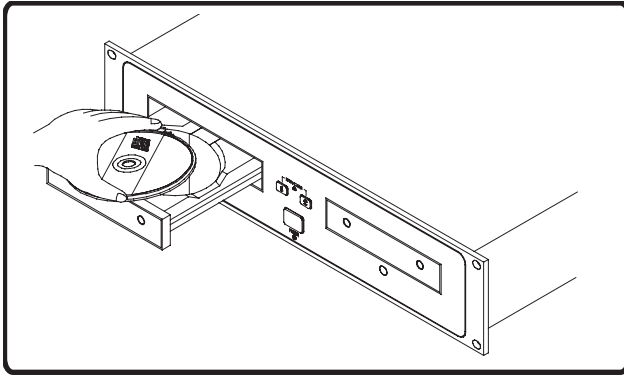
Operations

Opening and Closing the Disc Tray

- Turn the unit power on. Press the OPEN/CLOSE button to open the disc tray. OPEN/CLOSE buttons are provided on both the main unit and control unit.
- The disc tray cannot be opened during playback in order to prevent playback from being interrupted if the OPEN/CLOSE button is pressed accidentally. Stop the playback first, then press the OPEN/CLOSE button.

Loading discs

- Hold the disc by the edges and place it in the disc tray, then press the OPEN/CLOSE button again to close the disc tray. The unit will show the total track number and the total playing time for about 2 seconds then enter the cue condition. The cue point will be set to the music starting point of the first track automatically.



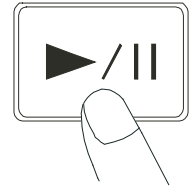
CAUTION: Do not place any foreign objects in the disc tray, and do not place more than one disc in the disc tray at a time. Do not push the disc tray in manually when the power is off, as this may result in malfunction and damage to the player.

Selecting Tracks

- Press the SKIP button once to move to next higher or lower track.
- Hold the SKIP button to change tracks continuously at a higher speed.
- When a new track is selected during playback, playback begins as soon as the skip operation is completed.
- If the skip forward button is pressed while at the last track, the first track is selected. In the same way, if the skip backwards button is pressed while at the first track, the last track is selected.

Starting Playback

- Press the PLAY/PAUSE button during the pause or cue condition to start playback, the PLAY indicator lights up.
- The point at which playback starts is automatically stored in the memory as the cue point. The disc then returns to the cue point when the CUE button is pressed. (Back Cue)



Stopping Playback

There are two ways to stop playback:

- Press the PLAY/PAUSE button during playback to pause at that point.
- Press the CUE button during playback to return to the cue point. This will cause the music to pause.

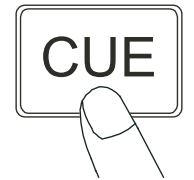
Pausing

- Press the PLAY/PAUSE button to switch between play and pause.

Cueing

“Cueing” is the action of preparing for playback.

- Press CUE button, the player will enter cue mode, the playback returns to cue point and pauses, the cue indicator lights up and the play indicator flashes. When PLAY/PAUSE button is pressed, play starts from the cue point.
- When the track search operation is completed after pressing the SKIP buttons, the player automatically finds the position at which the sound starts and will cue at that position (Auto Cue).
- If the CUE button is pressed after the search operation or the scanning operation, the playback returns to cue point and enters and becomes paused.
- Cue point setting: When play starts from pause or skip to a new track by using skip button, the begin play point will be set to the new cue point. When a new cue point is set, the cue indicator lights by flashing for about 1 second.



NOTE: During cue mode, if the CUE button is pressed and held, playback will start from the cue point. When the button is released, the player will return to the cue mode automatically, it allows you to check the cue point.

Operations

Auto-Cue Title Screen

Using the Cue button while in SINGLE mode allows you to cue a track to pause while showing the song's title screen on the TV or monitor.

- Make sure the CDG-8800 is in SINGLE mode.
- Press the CUE button to enter Auto-Cue mode.
- Use the << and >> buttons to select the desired track.
- Wait a few seconds for the title screen to appear.
- The song's title screen will remain until you press PLAY, then the song will begin

Frame search

- While the disc is paused, turn the JOG DIAL to skip ahead or backwards one frame at a time. The LCD display will show the time on the track.
- Press the PLAY/PAUSE button to start playing at the selected time.
- Clockwise skips ahead and counter-clockwise skips backwards.

Scanning (Fast forward/Fast backward)

- Turn the shuttle dial clockwise to scan in the forward direction or counterclockwise to scan in the reverse direction.
- This unit supports 3 different speeds based on the rotating angle of the SHUTTLE.

Matching the Beats Per Minute (BPM)

There are three tools available for matching the BPM of the two CDs:

- Use the pitch slider to adjust the BPM.
- Use the PITCH BEND buttons to change the BPM temporarily.
- Turn the JOG dial to change the BPM temporarily.

Program play

- Press the PROGRAM button, the player will enter the program mode and the CD will stop rotating.
- Select the desired track by pressing the SKIP button, then press the PROGRAM button again. The selected track will be added to the program sequence.
- Repeat step 2. A maximum of 20 tracks can be programmed at one time.
- Press the PLAY/PAUSE button to start the program play from the first selection.
- Press the program button again during program play to stop play.
- Press and hold the program button more than 2 seconds to cancel the program mode and erase all the current program contents.

Loop Play

- Press the LOOP button to set the loop start point A, the LOOP indicator will flash on the LCD.
- Press the LOOP button again to set the loop end point B, after the B point is set, the playback will enter the loop play from A to B repeatedly.
- Press the LOOP button again, the loop play function is canceled, the LOOP indicator goes out.

Troubleshooting

There is no power

- Make sure the power cord is firmly connected to the power outlet.
- If using a power strip/surge-protector, make sure that it is plugged in and switched on.

There is no sound

- Make sure everything is connected firmly and properly.
- Make sure there are no defective cables.
- Make sure all of your components are turned on.
- Make sure all of the components (amp, mixer, TV, etc.) are set to the proper inputs.

No picture

- Make sure everything is connected firmly and properly.
- Make sure there are no defective cables.
- Make sure all of your components are turned on.
- Make sure all of the components (amp, mixer, TV, etc.) are set to the proper inputs.
- Make sure the TV or monitor is working correctly.

The disc does not play

- Make sure the disc is inserted correctly (label-side up).
- Make sure the disc is clean and not scratched.
- If using a CD-R/RW, try using a different brand as some brands might not be compatible.
- Clean the CD lens using a CD lens cleaner.

The picture is unclear

- Make sure the disc is not dirty or damaged.
- Make sure that the TV TYPE (N/P button on the remote) is set correctly:
 - NTSC: In North America, Japan and many other Asian countries
 - PAL: In Europe
- Try restarting the CDG-8800 PRO.

>>> ATTENTION: >>>>>>>>



To prevent damage to the player, be sure to use the control cable that comes with the CDG-8800 PRO, to connect the Player Unit to the External Controller.



Fader-Start Inputs

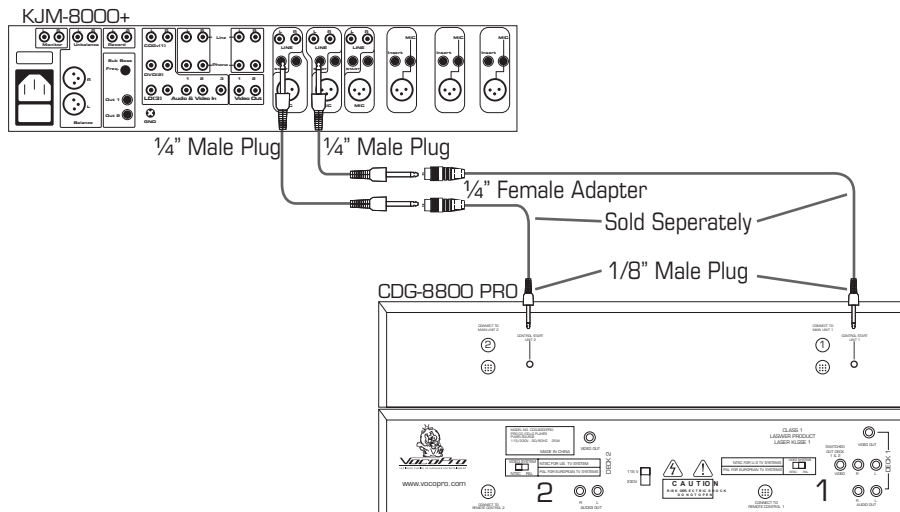
The **CDG-8800 PRO** now comes with dual “Fader-Start” inputs on the rear panel of the external controller.

When connecting to a mixer with the “Fader-Start” feature, you can “Play” and “Pause” the player, directly from the mixer.

NOTE: To use the “Fader-Start” feature, you must be using a mixer that has “Fader-Start” built-in. Refer to your mixer’s instruction manual for detailed instructions on using “Fader-Start”.

VocoPro Mixers with Fader-Start:

KJM-7900+
KJM-8000+



NOTE: When using this feature with the VocoPro **KJM-8000+/KJM-7900+**, you will need a 1/4” to 1/8” adapter (not included). Different mixers may have different connections for “Fader-Start” and may require a different adapter or no adapter at all.

Using Fader-Start with the VocoPro KJM-8000+

1. While a disc is paused, press in the START button on the front of the mixer to begin playback.
2. To pause playback, Press the START button twice so that the START LED goes off and then back on again.

>>> ATTENTION: >>>>>>>>

VocoPro

ULTIMATE CHOICE OF KARAOKE ENTERTAINMENT



CDG 8800 PRO Manual
V 1.1 ©VocoPro 2005
www.vocopro.com