

FitnessQuest[®]

Dedication to Quality

We warrant this product to be free from all defects in material and workmanship when used according to the manufacturer's instructions. See Limited Warranty Card for details.

Save your sales receipt.
(You may wish to staple it into this manual.)

EDGE[®]

595r

**Recumbent
Bike**



OWNER'S MANUAL

*FOR MAXIMUM EFFECTIVENESS
AND SAFETY, PLEASE READ THIS
OWNER'S MANUAL BEFORE USING YOUR
EDGE 595r Recumbent Bike.*

CARE & STORAGE OF YOUR RECUMBENT BIKE

Caring For Your Bike

Your Recumbent Bike has been carefully designed to require minimum maintenance. However, we recommend the following to keep your unit operating smoothly.

- Use your bike indoors only.
- Wipe all perspiration from your bike with a soft, clean cloth after each use to prevent an accumulation of sweat and dirt.
- Clean your bike on a regular basis to prevent a build-up of dust. Use Windex or an alcohol based cleanser on a clean cloth. Do not use any abrasive cleaners and/or polish as these will damage the surface.
- Store your bike in a dry area away from children and high traffic areas.
- Regularly check the tightness of nuts and bolts.

Storing Directions

Your bike is portable. If you need to change the location of your bike, please follow the steps below.

- Stand at the rear of the bike and grasp the rear handlebar.
- Lift up using your legs – not your back, tipping the bike forward until it is resting on the front transportation wheels/front rollers.
- Wheel the bike to its new location and carefully lower the bike back down to the floor.

EQUIPMENT WARNING LABELS

Important: See below for placement of the following warning labels on your equipment.

WARNING LABEL 1

⚠ WARNING

FAILURE TO READ AND FOLLOW THE SAFETY INSTRUCTIONS STATED IN THE OWNER'S MANUAL MAY RESULT IN POSSIBLE SERIOUS INJURY OR DEATH. KEEP CHILDREN AWAY. MAXIMUM USER WEIGHT 250 LBS. REPLACE THIS LABEL IF DAMAGED, ILLEGIBLE OR REMOVED. CLASS HC.

WARNING LABEL 2

⚠ WARNING

RISK OF ELECTRICAL SHOCK. THIS UNIT IS TO BE USED ONLY INDOORS AND IN A DRY LOCATION. DO NOT PLUG THE AC ADAPTER INTO WALL UNTIL ELECTRONICS MONITOR IS COMPLETELY ASSEMBLED.

SPECIFICATIONS & PARTS

Edge 595r Specifications:

Approximate:

Length: 44.5"

Width: 24.5"

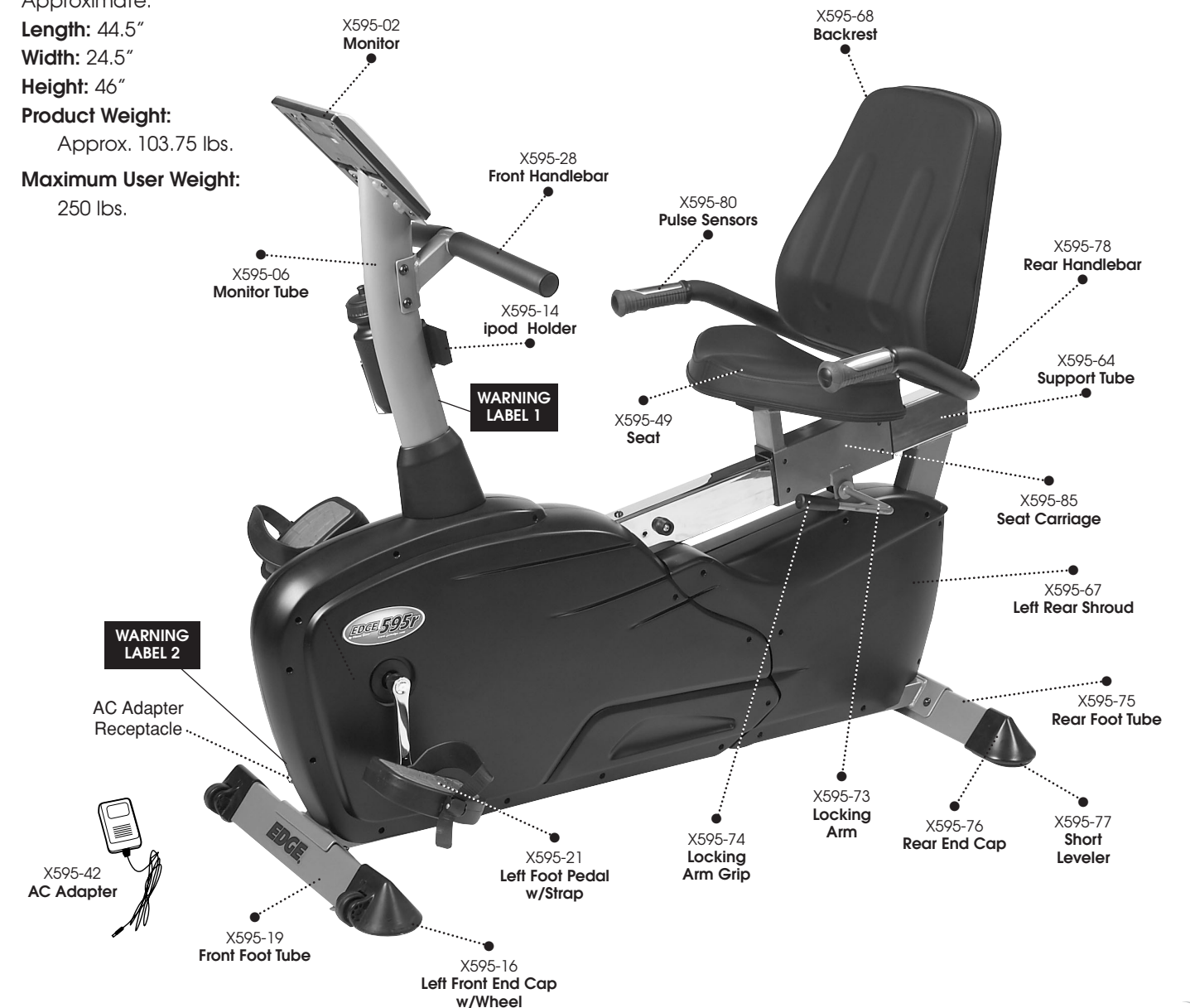
Height: 46"

Product Weight:

Approx. 103.75 lbs.

Maximum User Weight:

250 lbs.



INTRODUCTION

CONGRATULATIONS ON PURCHASING YOUR EDGE 595r RECUMBENT BIKE

With this product in your home, you have everything you need to start your own workout program to tone and firm the major muscle groups of your lower body. This is vital for all of us, regardless of age, sex, or fitness level, and regardless of whether your primary goal is toning, health maintenance, or more energy for daily activities.

Proper exercise, including a low fat diet, strength training and aerobic exercise, tones and conditions the muscles we use every day to stand, walk, lift and turn. It can actually transform our body composition by reducing body fat and increasing the proportion of lean muscle in our bodies. Using the bike will help in reducing body fat and increasing cardiovascular endurance.

Be sure to read through this Owner's Manual carefully.

It is the authoritative source of information about your Recumbent Bike.

Retain this manual for future reference.

COMMENTS OR QUESTIONS

Dear Customer,

Congratulations on your purchase of the Edge 595r Recumbent Bike.

We're sure that you will be completely satisfied with the product and we invite your comments so that we can hear about your success.

Please write or call our Customer Service Specialists at the address or phone number listed below, or contact us by email or on our web site, with any comments or questions you may have.

**Edge 595r
Customer Service Department
1400 Raff Road SW, Canton OH 44750-0001**

1-800-321-9236, Monday through Friday
8:30am to 8:00pm, Eastern Standard Time

email: customersupport@fitnessquest.com
www.fitnessquest.com

All details depicted in this Owner's Manual, and of the product itself, are subject to change without notice.

ORDERING REPLACEMENT PARTS

When ordering parts, please contact our Parts Department, toll free at 1-800-497-5831, Monday through Friday, 8:30am to 8:00pm, EST.

IMPORTANT: You must have your serial number and this manual ready when calling for parts.

Serial #: _____

Please also provide the following information:

- 1)** Name, Mailing Address and Telephone Number
- 2)** Date of Purchase
- 3)** Where Product was Purchased (Name of Retail Store, City)
- 4)** Model Number (EXBC01595)
- 5)** Part Order Number and Description



4. Back Stretch

Stand with your legs shoulder length apart and your knees slightly bent. Bend forward from your waist with your arms extending loosely in front of your body. Gently bend from the waist flexing your body as far forward as it will go.

Hold for 20 to 30 seconds. Straighten up and repeat.



5. Standing Hamstrings Stretch

Stand with your legs hip-width apart. Extend one leg out in front of you and keep that foot flat against the ground. With your hands resting lightly on your thighs, bend your back leg and lean forward slightly from your hips until you feel a stretch in the back of your thigh. Be sure to lean forward from the hip joint rather than bending at your waist.

Hold for 20 to 30 seconds. Repeat for the opposite leg.



6. Buttocks, Hips and Abdominal Stretch

Lay flat on your back with your hips relaxed against the floor. Bend one leg at the knee. Keeping both shoulders flat on the floor, gently grasp the bent knee with your hands and pull it over your body and towards the ground. You should feel a stretch in your hips, abdominals and lower back.

Hold for 20 to 30 seconds and release. Repeat for opposite side.



7. Inner Thigh Stretch

Sit on the floor and bend your legs so that the soles of your feet are together. Place your elbows on your knees. Lean forward from the waist and press down lightly on the inside of your knees. You should feel a stretch in the muscles of your inside thigh.

Hold for 20 to 30 seconds and release.



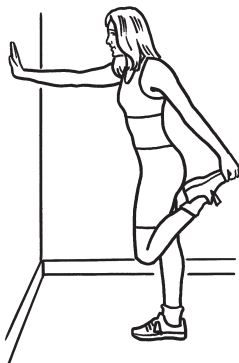
8. Arm Pullback

Stand with your feet shoulder width apart and toes pointing forward and with your knees slightly bent. Let your arms hang relaxed on either side of your body. Expand your chest and pull your shoulders back. Bend your elbows slightly and clasp your hands behind your back. Slowly straighten your arms as you lift your hands upward. Raise your hands upward until you feel mild tension in your shoulder and chest region.

Hold for 20 to 30 seconds. Lower your arms to their original position and bend your elbows. Release your hands and return them to your sides.

WARM UP & COOL DOWN STRETCHES

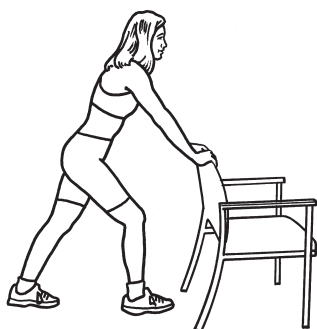
Stretches can help improve flexibility and relieve the tightness in muscles that results from repetitive sport movements that require a limited range of motion. 10 to 12 minutes of daily stretching is recommended. This can be done when warming up or cooling down. When performing these stretches, your movements should be slow and smooth, with no bouncing or jerking. Move into the stretch until you feel a slight tension, not pain, in the muscle and hold the stretch for 20 to 30 seconds. Breathe slowly and rhythmically. Be sure not to hold your breath. Remember that all stretches must be done for both sides of your body.



1. Quadriceps Stretch

Stand close to a wall, chair or other solid object. Use one hand to assist your balance. Bend the opposite knee and lift your heel towards your buttocks. Reach back and grasp the top of your foot with the same side hand. Keeping your inner thighs close together, slowly pull your foot towards your buttocks until you feel a gentle stretch in the front of your thigh. You do not have to touch your buttocks with your heel. Stop pulling when you feel the stretch. Keep your kneecap pointing straight down and keep your knees close together. (Do not let the lifted knee swing outward.)

Hold the stretch for 20 to 30 seconds. Repeat for the other leg.



2. Calf and Achilles Stretch

Stand approximately one arms length away from a wall or chair with your feet hip-width apart. Keeping your toes pointed forward, move one leg in close to the chair while extending the other leg behind you. Bending the leg closest to the chair and keeping the other leg straight, place your hands on the chair. Keep the heel of the back leg on the ground and move your hips forward. Slowly lean forward from the ankle, keeping your back leg straight until you feel a stretch in your calf muscles.

Hold for 20 to 30 seconds. Repeat for the opposite leg.

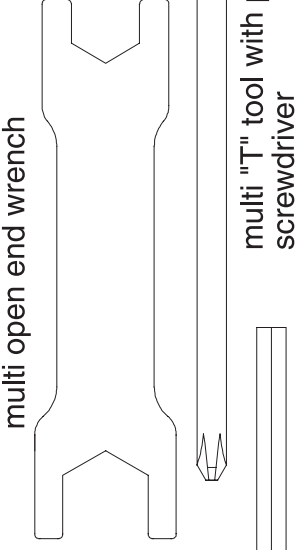
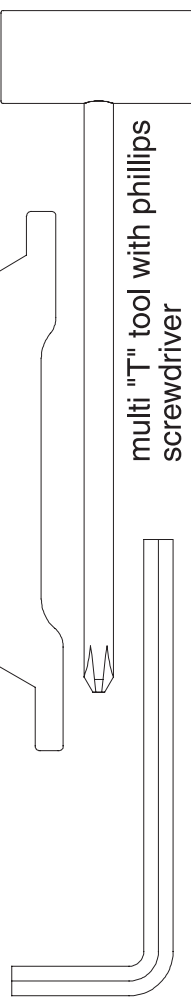
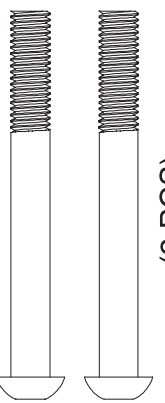
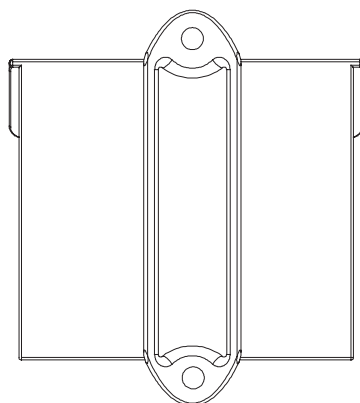
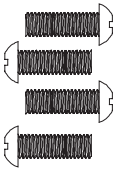
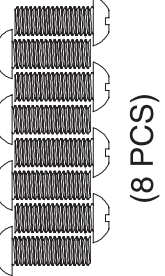
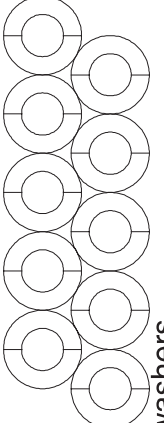
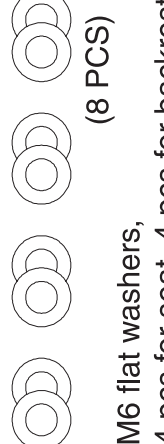

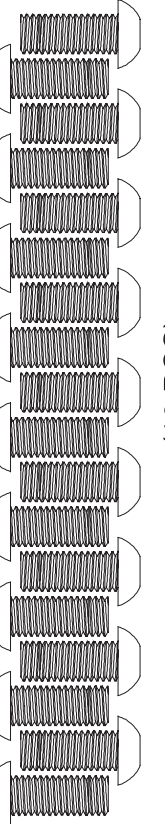




3. Overhead/Triceps Stretch

Stand with your feet shoulder width apart and your knees slightly bent. Lift one arm overhead and bend your elbow, reaching down behind your head with your hand toward the opposite shoulder blade. Walk your fingertips down your back as far as you can. Hold this position. Reach up with your opposite hand and grasp your flexed elbow. Gently assist the stretch by pulling on the elbow.

Hold for 20 to 30 seconds. Repeat for the opposite arm.

EDGE 595r HARDWARE KIT

 <p>multi open end wrench</p>  <p>multi "T" tool with phillips screwdriver</p>	 <p>(2 PCS) M8 x 70mm allen bolts for rear handlebar.</p>	 <p>ipod holder (1 PCS)</p>	
 <p>(4 PCS) M5 x 16mm phillips bolts, 2 pcs for water bottle rack, 2 pcs for ipod holder.</p>	 <p>(8 PCS) M6 x 16mm phillips bolts, 4 pcs for seat, 4 pcs for backrest.</p>	 <p>(10 PCS) M8 curved washers, 6 pcs for monitor tube, 4 pcs for front handlebar.</p>	 <p>(8 PCS) M6 flat washers, 4 pcs for seat, 4 pcs for backrest.</p>
 <p>(2 PCS) M8 nylon nuts for rear handlebar.</p>	 <p>(18 PCS) M8 x 20mm phillips bolts, 4 pcs for support tube, 6 pcs for monitor tube, 4 pcs for front handlebar, 2 pcs for front foot tube, 2 pcs for rear foot tube.</p>	 <p>(12 PCS) M8 spring washers, 4 pcs for support tube, 4 pcs for front handlebar, 2 pcs for front foot tube, 2 pcs for rear foot tube.</p>	 <p>(10 PCS) M8 flat washers, 4 pcs for support tube, 2 pcs for rear handlebar, 2 pcs for front foot tube, 2 pcs for rear foot tube.</p>

ASSEMBLY INSTRUCTIONS

Occasionally our products contain components that are pre-lubricated at the factory. We recommend that you protect flooring, or anything else the parts may contact, with newspaper or cloth.

Tools Required (included):

- Allen Wrench
- Multi Open End Wrench
- Multi "T" Tool w/Phillips Screwdriver

NOTE: All location references, such as front, rear, left or right, made in these instructions are from the user being on the equipment and facing forward.

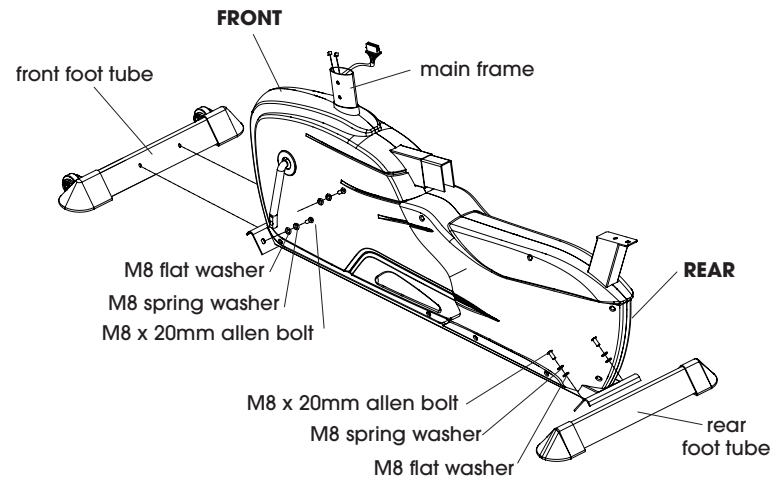


Figure 1 - Install Foot Tubes

STEP 1 - Attaching the Foot Tubes

- Fasten the Front Foot Tube to the front of the Main Frame using an Allen Bolt with a Spring Washer and a Flat Washer on each Bolt.
- Fasten the Rear Foot Tube to the rear of the Main Frame using an Allen Bolt with a Spring Washer and a Flat Washer on each Bolt.

STEP 2 - Attaching the Rear Handlebar to the Seat Carriage

- Attach the Rear Handlebar to the Seat Carriage using two Allen Bolts.
- Apply a Washer to the thread end of each Bolt, and then install and tighten the two Nylon Nuts.

STEP 3 - Assembling Seat and Backrest to Seat Carriage

- Secure the Seat to the Seat Carriage using four Phillips Bolts with a Washer on each Bolt.
- Secure the Backrest to the Seat Carriage using four Phillips Bolts with a Washer on each Bolt.

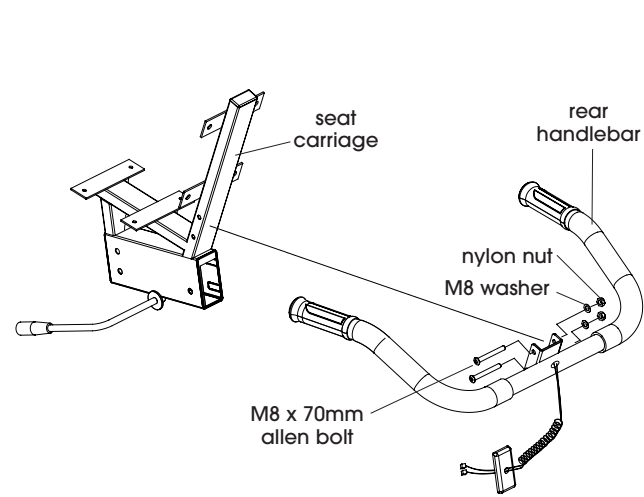


Figure 2 - Install Rear Handlebar to Seat Carriage

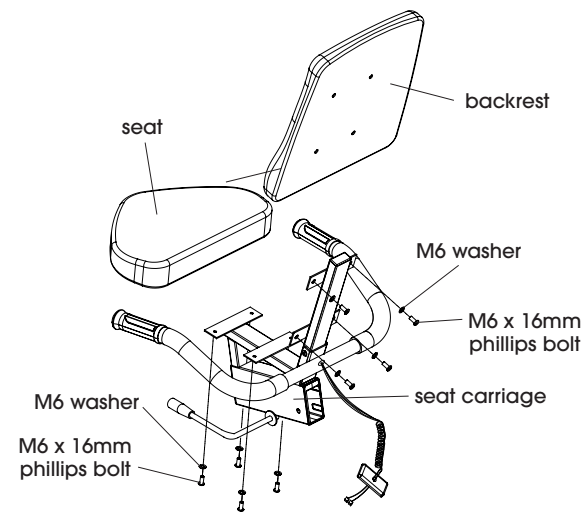


Figure 3 - Install Seat and Backrest

HEART RATE TARGET ZONE FOR CARDIOVASCULAR FITNESS

TABLE 1

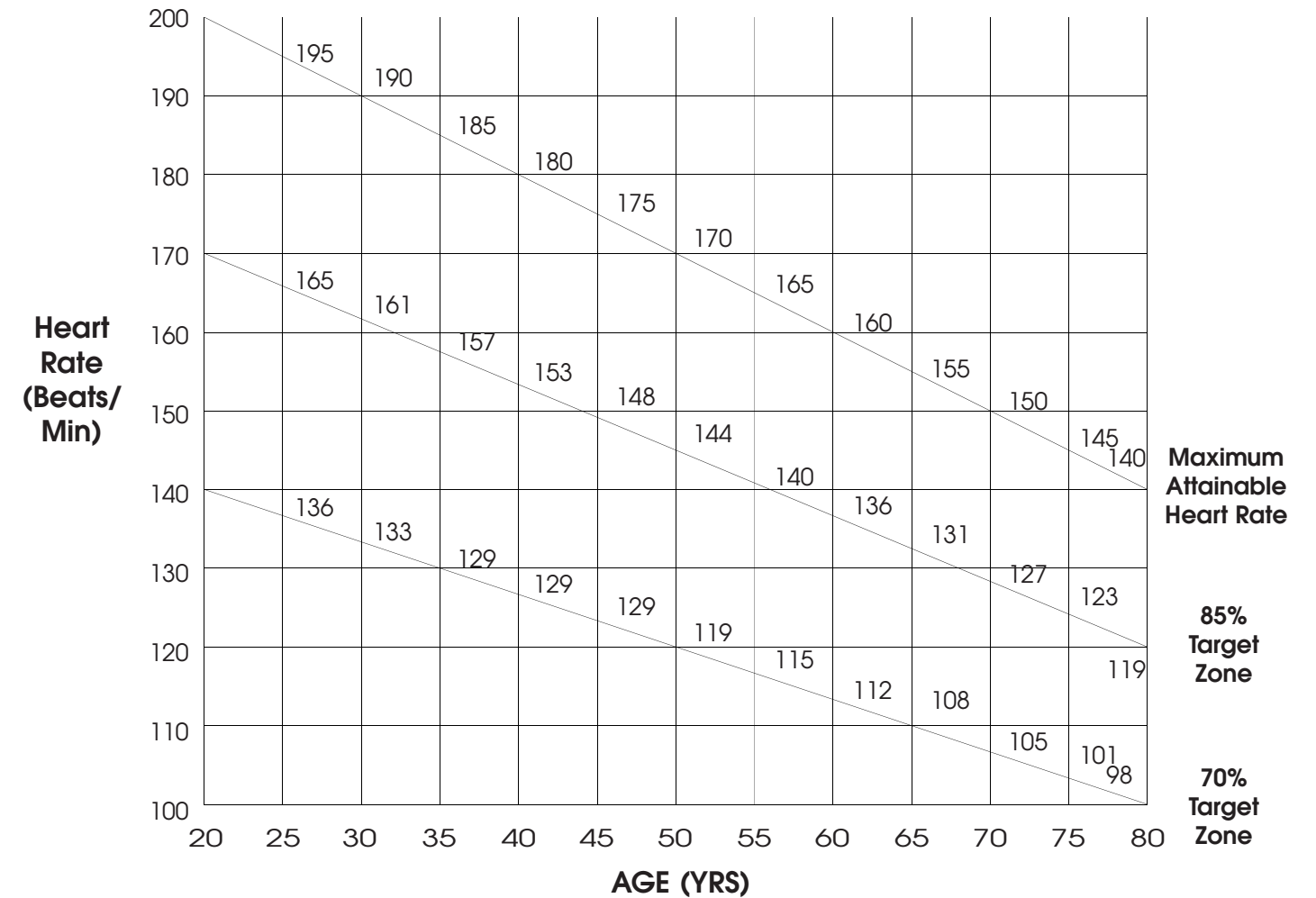


TABLE 2

Exercise Week	Warm Up Period	THR% Minutes	Cool Down Period	Total Time	Sessions Per Wk.	Total Time Per Wk.
1 & 2	5 min	60-65% -8	5 min	17 min	3	51 min
3 & 4	5 min	65-70% -10	5 min	20 min	3	60 min
5 & 6	5 min	70-75% -15	5 min	25 min	3	75 min
7 & 8	5 min	70-80% -20	5 min	30 min	3	90 min
9 & 10	5 min	70-85% -25	5 min	35 min	3	105 min
11 & 12	5 min	70-85% -25	5 min	35 min	3	105 min

cardiovascular effect. **Note:** Although 70% was used in this example, the heart rate range needed to achieve results falls between 60% and 85% of your maximum heart rate.

If you are just beginning your exercise program, your target heart rate range should be roughly at 60% of your maximum heart rate. As you become more conditioned (or if you are already in good cardiovascular shape) you can increase your target heart rate to 70%-85% of your maximum heart rate. Remember, your target heart rate is only a guide.

When checking heart rate during a workout, take your pulse within five seconds after interrupting exercise because it starts to go down once you stop moving. Count pulse for 10 seconds and multiply by six to get the per-minute rate.

Remember, your Recumbent Bike also comes with pulse sensors located on the Rear Handlebar.

When used properly, the unit pulse sensors can help you to determine your estimated heart rate. To do so:

- Push the START button on your Computer.
- Gently grab **both** metal pulse sensors on **both** handlebars. Wait 6 seconds.
- Your estimated heart rate range will be displayed on screen. Check the chart on the following page to see if you are within your range according to your age.

When used properly, the heart rate pulse sensors and display monitor provide a reasonably accurate estimate of your actual heart rate. This estimate is not exact and persons with medical conditions and/or a specific need for accurate heart rate monitoring should not rely on the estimations provided.

By using the chart on the following page you can see where your heart rate falls in the minimum and maximum target zones.

The above are guidelines, people with any medical limitations should discuss this formula with their physician.

CLOTHING

All exercise clothing should be loose-fitting to permit freedom of movement, and should make the wearer feel comfortable and self-assured.

Never wear rubberized or plastic clothing, such as garments interfere with the evaporation of perspiration and can cause body temperature to rise to dangerous levels.

We recommend wearing a workout shoe with a rubberized sole unless instructed otherwise.

TIPS TO KEEP YOU GOING

- Adopt a specific plan and write it down.
- Keep setting realistic goals as you go along, and remind yourself of them often.
- Keep a log to record your progress and make sure to keep it up-to-date. See pages 23 - 24.
- Include weight and/or percent body fat measures in your log. Extra pounds can easily creep back.
- Upgrade your fitness program as you progress. Your bike provides 19 different programs to keep your workouts challenging.
- Enlist the support and company of your family and friends.
- Update others on your successes.
- Avoid injuries by pacing yourself and including a warm up and cool down period as part of every workout. See page 17.
- Reward yourself periodically for a job well done!

STEP 4 - Attaching the Seat Carriage to the Main Frame

- Lift the Locking Arm Assembly on the Seat Carriage and slide the Seat Carriage over the Support Tube. The Seat should be facing forward. The Support Tube will have tube protruding, make sure Protruding Tube is closer to the front.
- Connect the Main Frame Pulse Wires to the Support Tube Pulse Wires.
- Slide the Support Tube over the horizontal tube on the Main Frame.
- Attach three Allen Bolts to the front of the Support tube. Each Bolt should have a Washer and a Spring Washer accompany the Bolt.
- Attach an Allen Bolt through the Main Frame to the Support Tube. The Bolt should be accompanied with a Washer and a Spring Washer.
- Connect the Handlebar Pulse Wires with the Support Tube Wires.
- Insert the Wire Plug securely into the back of the Support Tube.

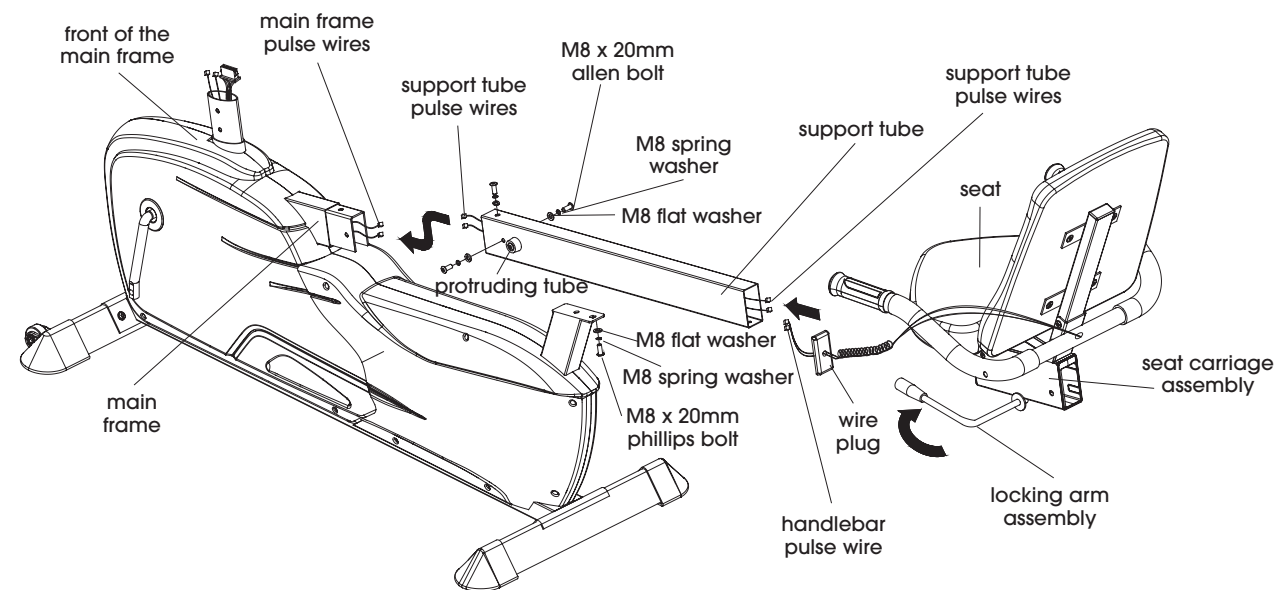


Figure 4 - Install Seat Carriage to Main Frame

STEP 5 - Attaching the Monitor Tube

- Insert the Bottom Cover over of the bottom of the Monitor Tube.
- Connect the Main Frame Wire to the Monitor Tube Wire.
- Connect the Monitor Tube Pulse Wires with the Main Frame Pulse Wires.
- Place the Monitor Tube onto the Vertical Tube on the Main Frame. Align the holes properly, so it can be bolted. The Bottom Cover has to be lifted while completing this procedure. **Do not pinch wires.**
- Attach the six Allen Bolts to the Monitor Tube and through the Vertical Tube of the Main Frame. Each Allen Bolt is accompanied with a Curved Washer.
- Slide the Bottom Cover all the way down, so it completely covers all the Bolts.
- Attach the ipod Holder to the Monitor Tube using two Phillips Bolts.

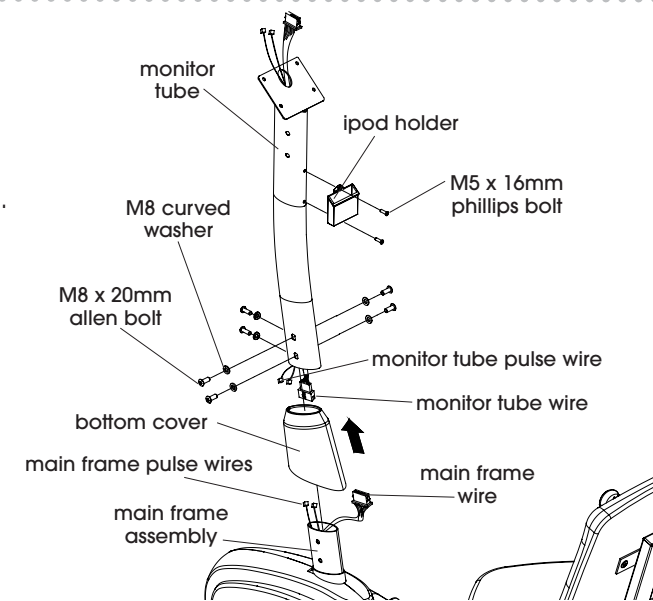


Figure 5 - Install Monitor Tube

STEP 6 - Attaching the Front Handlebar and Water Bottle Holder

- Attach the Front Handlebar to the Monitor Tube with four Allen Bolts, a Curved Washer and a Spring Washer.
- Attach the Water Bottle Holder to the Monitor Tube with two Phillips Bolts.
- Insert the Water Bottle into the Water Bottle Holder. It is recommended that the bottle be washed before use.

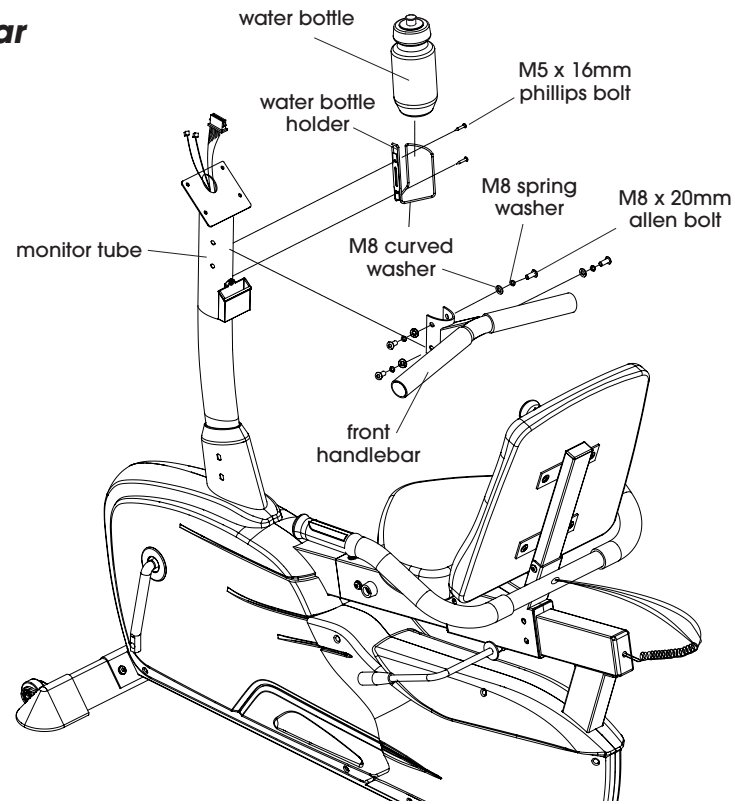


Figure 6 - Install Front Handlebar and Water Bottle Holder

STEP 7 - Attaching the Monitor

- Remove the Phillips Bolts in the back of the Monitor, save Bolts for step 7d.
- Connect Monitor Wire to the Monitor Tube Wire.
- Connect the Monitor Pulse Wire to the Monitor Tube Pulse Wire
- Securely fasten the Monitor to the Monitor Tube with the four Phillips Bolts that were removed in Step 7a.

DO NOT PINCH THE WIRES.

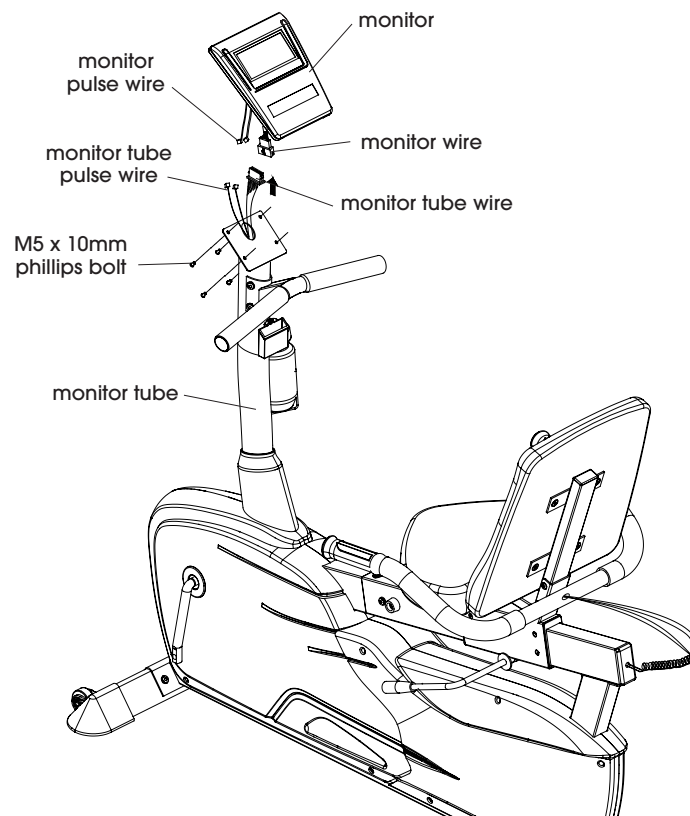


Figure 7 - Install Monitor

described previously. Each workout should begin with a warm up and end with a cool down. As a general rule, space your workouts throughout the week and avoid consecutive days of hard exercise.

Here are the amounts of activity necessary for the average healthy person to maintain a minimum level of overall fitness. Included are some of the popular exercises for each category.

WARM UP – 5-10 minutes of exercise such as walking, slow jogging, knee lifts, arm circles or trunk rotations. Low intensity movements that simulate movements to be used in the activity can also be included in the warm up.

MUSCULAR STRENGTH – a minimum of two, 20 minute sessions per week that include exercises for all the major muscle groups. Lifting weights is the most effective way to increase strength.

MUSCULAR ENDURANCE – at least three, 30 minute sessions each week that include exercises such as calisthenics, push ups, sit ups, pull ups, and weight training for all the major muscle groups.

CARDIORESPIRATORY ENDURANCE – at least three, 20 minute workouts of continuous aerobic exercise each week. Working out on your bike is a good way to obtain this aerobic activity. Other popular aerobic conditioning activities include brisk walking, jogging, swimming, elliptical exercise, rope jumping, rowing, cross-country skiing, and some continuous action games like racquetball and handball.

FLEXIBILITY – 10-12 minutes of daily stretching exercises performed slowly, without a bouncing motion. This can be included after a warm up or during a cool down. Refer to pages 20 and 21 for a list of total body stretches.

COOL DOWN – a minimum of 5-10 minutes of slow walking or lower intensity cycling, combined with stretching.

AEROBIC EXERCISE: HOW MUCH? HOW OFTEN?

Experts recommend that you do some form of aerobic exercise at least three times a week for a minimum of 20 continuous minutes. Of course, if that is too much, start with a shorter time span and gradually build up to the minimum. Then gradually progress until you are able to work aerobically for 20-40 minutes. If you want to lose weight, you may want to do your aerobic workout five times a week.

It is important to exercise at an intensity vigorous enough to cause your heart rate and breathing to increase. How hard you should exercise depends to

a certain degree on your age, and is determined by measuring your heart rate in beats per minute. Refer to the "Measuring Your Heart Rate" section below and on page 18 for more information on how to determine and measure your heart rate.

You can do different types of aerobic activities, say walking one day, and use your bike the next. Make sure you choose an activity that can be done regularly, and is enjoyable for you. The important thing to remember is not to skip too many days between workouts or fitness benefits will be lost. If you must lose a few days, gradually work back into your routine.

WHEN TO EXERCISE

The hour just before the evening meal is a popular time for exercise. The late afternoon workout provides a welcome change of pace at the end of the work day and helps dissolve the day's worries and tensions.

Another popular time to work out is early morning, before the work day begins. Advocates of the early start say it makes them more alert and energetic on the job.

Among the factors you should consider in developing your workout schedule are personal preference, job and family responsibilities, availability of exercise facilities and weather. It's important to schedule your workouts for a time when there is little chance that you will have to cancel or interrupt them because of other demands on your time.

You should not exercise strenuously during extremely hot, humid weather or within two hours after eating. Heat and/or digestion both make heavy demands on the circulatory system, and in combination with exercise can be an over-taxing double load.

MEASURING YOUR HEART RATE (see chart on page 19)

Heart rate is widely accepted as a good method for measuring intensity during running, swimming, cycling, and other aerobic activities. Exercise that doesn't raise your heart rate to a certain level and keep it there for 20 minutes won't contribute significantly to cardiovascular fitness.

The heart rate you should maintain is called your Target Heart Rate. There are several ways of arriving at this figure. One of the simplest is: maximum heart rate $(220 - \text{age}) \times 70\%$. Thus, the target heart rate for a 40 year-old would be 126. In this example for this 40 year old to get a cardiovascular effect the individual would need to keep their heart rate at or above 126 beats per minute to get a

(continued on next page)

EXERCISE GUIDELINES

IMPORTANT

Please review this section before you begin exercising.

IMPORTANT:

If you are over 35 and have been inactive for several years, you should consult your physician, who may or may not recommend a graded exercise test.

If you are just beginning your exercise program, your target heart rate range should be roughly at 60% of your maximum heart rate. As you become more conditioned (or if you are already in good cardiovascular shape) you can increase your target heart rate to 70%-85% of your maximum heart rate. Remember, your target heart rate is only a guide.

You should also consult your physician if you have the following:

- High blood pressure
- High cholesterol
- Asthma
- Heart trouble
- Family history of early stroke or heart attack deaths
- Frequent dizzy spells
- Extreme breathlessness after mild exertion
- Arthritis or other bone problems
- Severe muscular, ligament or tendon problems
- Other known or suspected disease
- If you experience any pain or tightness in your chest, an irregular heartbeat or shortness of breath, stop exercising immediately. Consult your physician before continuing.
- Pregnant
- Balance impairment
- Taking medications that affect heart rate

KNOWING THE BASICS

Physical fitness is most easily understood by examining its components, or "parts".

There is widespread agreement that these five components comprise the basics of physical training:

CARDIORESPIRATORY ENDURANCE – the ability to deliver oxygen and nutrients to tissues, and to remove wastes, over sustained periods of time. Using your bike will improve this.

MUSCULAR STRENGTH – the ability of a muscle to exert force for a brief period of time. Upper-body strength, for example, can be measured by various weight-lifting exercises.

MUSCULAR ENDURANCE – the ability of a muscle, or a group of muscles, to sustain repeated contractions or to continue applying force against a fixed object. Push-ups are often used to test endurance of arm and shoulder muscles.

FLEXIBILITY – the ability to move joints and use muscles through their full range of motion. The sit-and-reach test is a good measure of flexibility of the lower back and backs of the upper legs.

BODY COMPOSITION – often considered a component of fitness. It refers to the makeup of the body in terms of lean mass (muscle, bone, vital tissue and organs) and fat mass. An optimal ratio of fat to lean mass is an indication of fitness, and the right types of exercises will help you decrease body fat and increase or maintain muscle mass. To help track your progress we have provided Workout Progress Charts on page 23.

A COMPLETE EXERCISE PROGRAM

How often, how long and how hard you exercise, and what kinds of exercises you do should be determined by what you are trying to accomplish. Your goals, your present fitness level, age, health, skills, interest and convenience are among the factors you should consider. For example, an athlete training for high-level competition would follow a different program than a person whose goals are good health and the ability to meet work and recreational needs.

Your exercise program should include something from each of the four basic fitness components

STEP 8 - Attaching Foot Pedals

- To attach Left Foot Pedal, turn the Pedal Bolt counter-clockwise until snug. **DO NOT turn clockwise. Doing so will strip the threads.**
- To attach Right Foot Pedal, turn the Pedal Bolt clockwise until snug. **DO NOT turn counter-clockwise. Doing so will strip the threads.**

NOTE: The pedals are labeled with stickers that specifies the Left Pedal and Right Pedal.

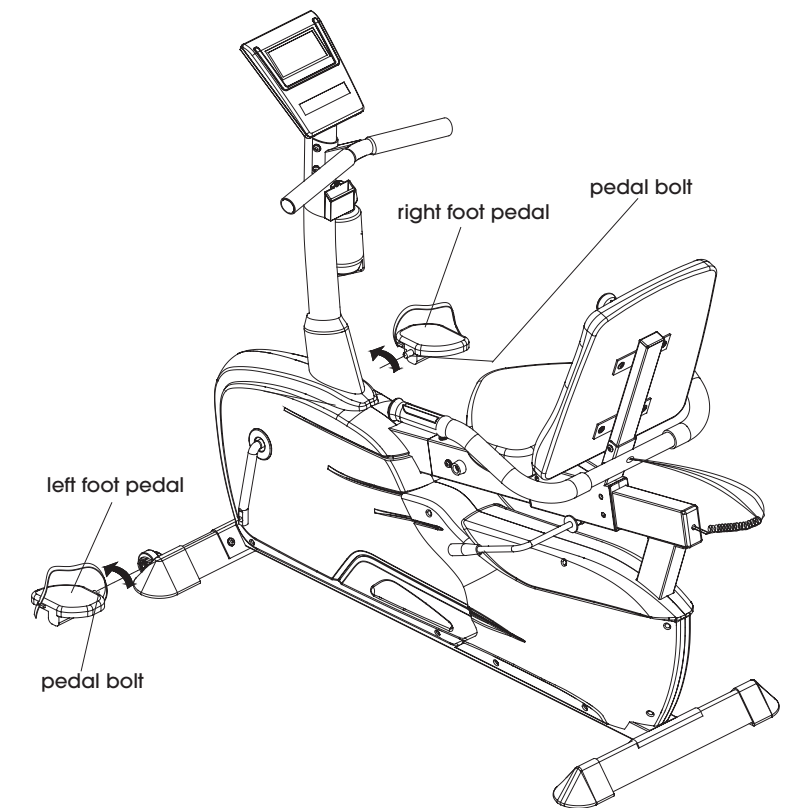


Figure 8 - Install Foot Pedals

STEP 9 - Attaching the AC Adapter

- Attach the AC Adapter to the front of the Main Frame.
- To turn the unit on, plug the AC Adapter into a 110 volt socket.

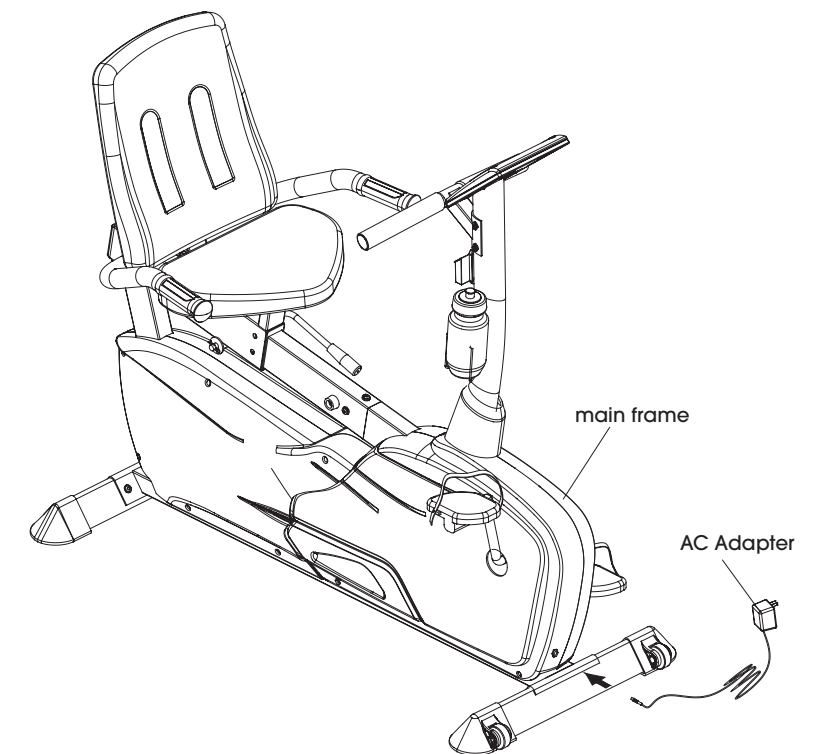
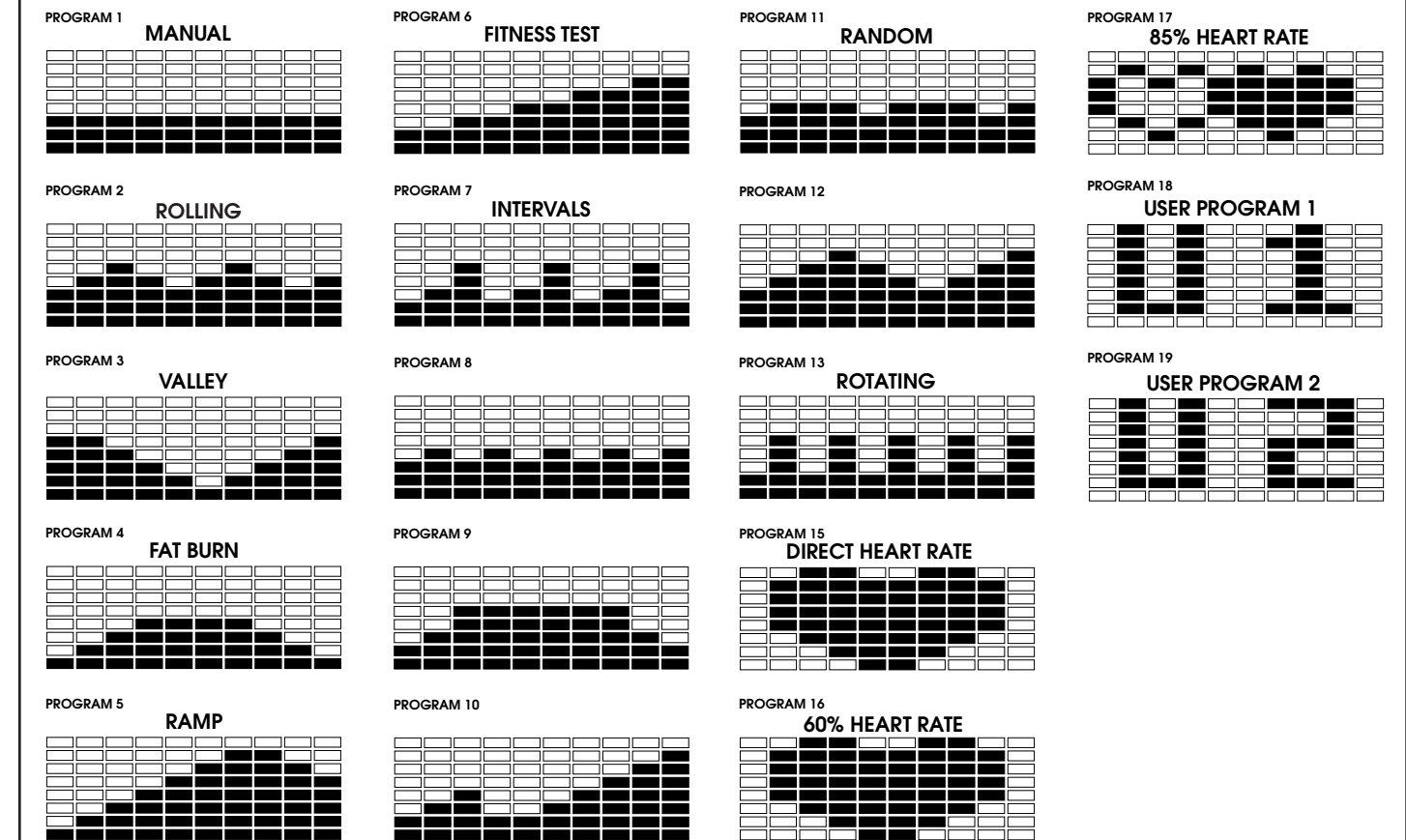


Figure 9 - Attaching AC Adapter

EDGE 595r PARTS LIST

PART #	ITEM #	DESCRIPTION	QTY.	PART #	ITEM #	DESCRIPTION	QTY.
X595-01	1	water bottle	1	X595-51	49	bumper	2
X595-02	2	monitor	1	X595-52	50	M8 washer	6
X595-03	3	monitor tube wire	1	X595-62	61	rectangle end cap	2
X595-04	4	monitor tube pulse wire	1	X595-63	62	seat carriage bushing	2 sets
X595-05	5	M5 x 15mm phillips bolt	4	X595-64	64	support tube	1
X595-06	6	monitor tube	1	X595-65	65	barrel nut	1
X595-07	7	M5 x 16mm phillips bolt	4	X595-66	66R	right rear shroud	1
X595-08	8	end plug	2	X595-67	66L	left rear shroud	1
X595-09	9	front handlebar grip	2	X595-68	67	backrest	1
X595-10	10	M8 x 20mm phillips bolt	16	X595-69	68	M6 washer	8
X595-11	11	M8 spring washer	12	X595-70	69	M6 x 16mm phillips bolt	8
X595-12	12	M8 curved washer	10	X595-73	72	locking arm assembly	1
X595-13	13	water bottle holder	1	X595-74	73	locking arm grip	1
X595-14	14	ipod holder	1	X595-75	74	rear foot tube	1
X595-15	15R	right front end cap w/wheel	1	X595-76	75	rear end cap	2
X595-16	15L	left front end cap w/wheel	1	X595-77	76	short leveler	2
X595-19	18	front foot tube	1	X595-78	77	rear handlebar w/grip	1
X595-20	20R	right foot pedal w/strap	1	X595-80	79	pulse sensor	2
X595-21	20L	left foot pedal w/strap	1	X595-81	80	M2 x 16mm phillips screw	4
X595-22	21	crank cover	2	X595-82	81	M8 x 70mm allen bolt	2
X595-23	22	M4 x 16mm phillips screw	16	X595-83	82	locking pin	1
X595-24	23R	right front shroud	1	X595-84	83	M12 large washer	1
X595-25	23L	left front shroud	1	X595-85	84	seat carriage	1
X595-26	24	belt	1	X595-86	85	wire plug	2
X595-28	26	front handlebar	1	X595-87	86	seat carriage plug	1
X595-33	31	main frame wire	1	X595-88	88	support tube pulse wire	2
X595-34	32	bottom cover	1	X595-91	91	AC adapter wire	1
X595-35	33	main frame pulse wire	2	X595-92	92	allen wrench	1
X595-36	34	main frame	1	X595-93	93	multi open end wrench	1
X595-41	39	M4 x 19mm phillips screw	16	X595-94	94	multi "T" tool w/phillips	
X595-42	40	AC adapter	1			screwdriver	1
X595-43	41	handlebar pulse wire	1	X595-FP	FP	fastener pack	1
X595-44	42	M8 nylon nut	2	X595-MC	MC	master carton	1
X595-49	47	seat	1	X595-OM	OM	owners manual	1
X595-50	48	M6 X 10mm allen bolt	1				

Program Profiles



RECOVERY FUNCTION

During a workout, this button can be pressed to activate a resting period for 1 minute. The program will automatically go into Recovery, if you exceed the pulse rate that was entered before the workout begins.

MANUAL PROGRAM (Program 1)

After selecting the Manual program, you can edit all the parameters in this program by pressing Up or Down on the Key Pad. Once a desired parameter is met, press Select to move to the next parameter. The Start/Stop button will begin the Manual Program exercise. During this exercise, Up/Down adjusts resistance load during the workout.

PRE-PROGRAM (Programs 2-12)

There are 5 programs to select and the profiles are located on the following page. All program profiles have 16 levels of resistance.

After a program has been selected, pressing Enter will make the Time Parameter flash. Then, by pressing Up or Down you can select the desired Time value and then press Enter. You can edit other parameters, and pressing Start/Stop will begin the workout.

BODY FAT PROGRAM (Program 14)

- 1) Select the Body Fat (B.F.) Program and press Enter.
- 2) Then select your Gender (Male or Female) and press Enter, select your Age (in years) and press Enter, select your Height (feet then inches) and press Enter, select your weight (in pounds) and press Enter, hit Start, and then grasp the hand pulse sensors for fifteen seconds.
- 3) The display will then show your BMI "Body Mass Index" and your estimated Body Fat percentage. Below is a chart pertaining to Body Mass Index.

BMI (Body Mass Index)	Weight Status
Below 18.5	Underweight
18.5 - 24.9	Normal
25.0 - 29.9	Overweight
30.0 and Above	Obese

Body Type	Female	Male
Athlete	<17%	<10%
Lean	17-22%	10-15%
Normal	22-25%	15-18%
Above Average	25-29%	18-20%
Over fat	29-35%	20-25%
Obese	35+%	25+%

TARGET HEART RATE PROGRAMS

Direct Target Heart Rate Setting (Program 15)

This Heart Rate setting is entered directly by the user. All parameters can be entered by the user. A Target Heart Rate must be entered by the user, but the default value is 90.

60% Target Heart Rate (Program 16)

This target Heart Rate is set indirectly by using your age. All parameters can be entered by the user. It will then use your age to create the proper exercise.

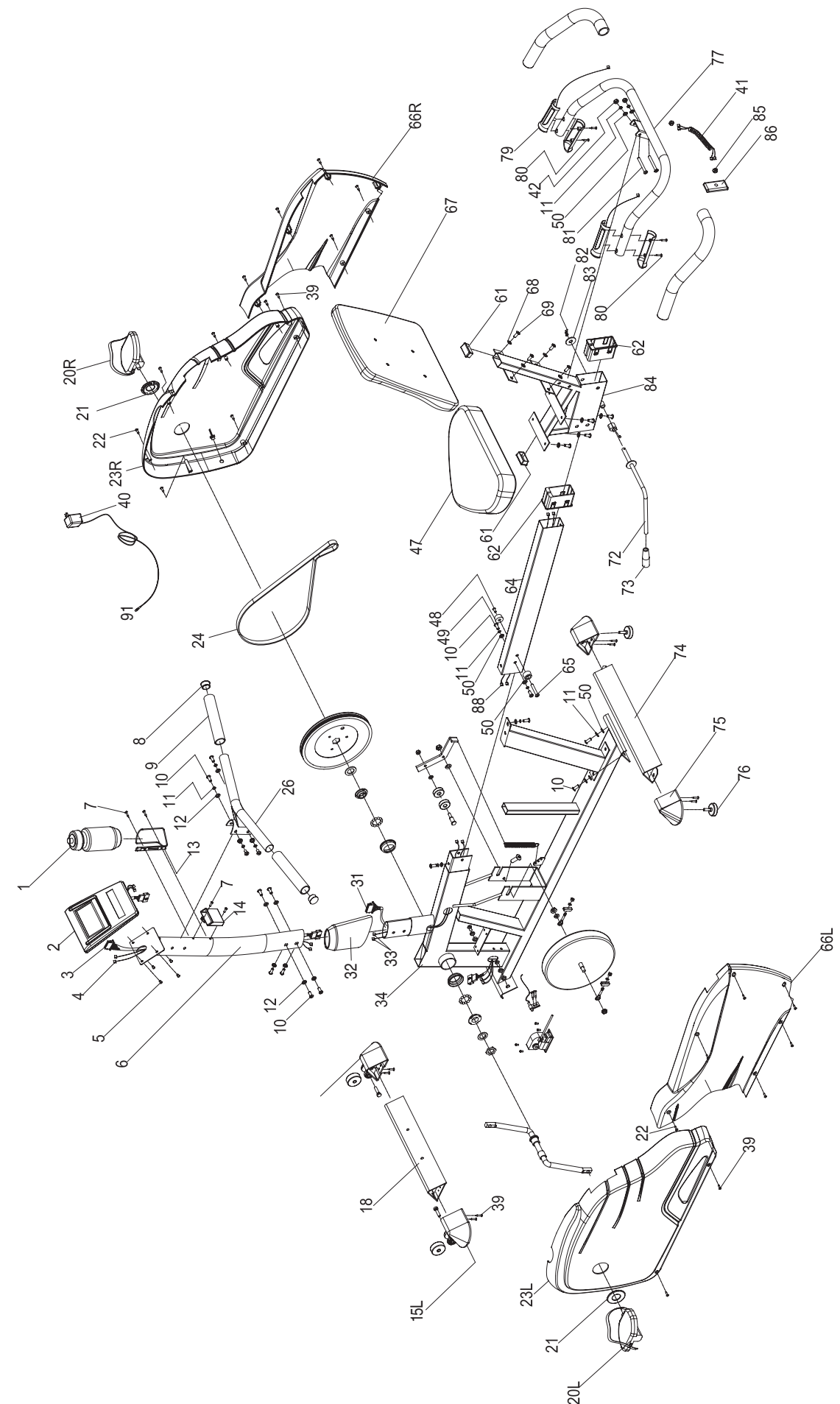
85% Target Heart Rate (Program 11)

This target Heart Rate is set indirectly by using your age. All parameters can be entered by the user. It will then use your age to create the proper exercise.

USER PROGRAM (Programs 18 & 19)

After selecting the User program, edit the parameters you desire by pressing Up/Down. When you have the desired parameter, press Enter to move to the next parameter. After the parameters are entered, the Level 1 will flash on the Monitor. Use Up/Down to adjust the level and press Enter when the correct resistance level is achieved. You will have to enter the resistance level ten times. Press Start/Stop to begin workout.

EDGE 595r EXPLODED VIEW



GETTING STARTED

Once your Recumbent Bike is assembled, make sure that your workout space has a solid, level surface with plenty of space around it. We recommend placing a mat under your bike to protect your flooring.

Correct Workout Position

When exercising, keep your back straight and your head in a neutral position to minimize neck and upper back strain. When pedaling do not lock out your knees, at the bottom of the pedaling motion there should be a slight bend in the knee. Always try to pedal the bike with a smooth and rhythmic motion.

USING YOUR RECUMBENT BIKE

The bike provides a completely smooth and natural feeling, that minimizes the impact on your hips, knees and ankles while providing a superior aerobic and muscle toning workout. The durable steel frame and transport wheels make the bike mobile and easy to use.

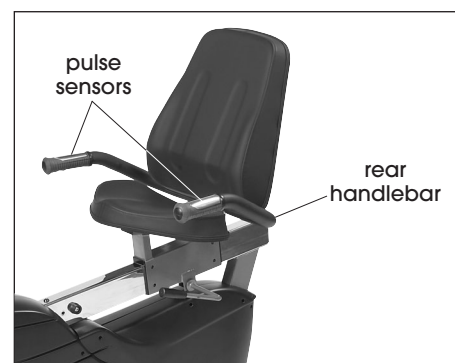
IMPORTANT:

- This bike is not recommended for children.
- Always make sure that you feel balanced and secure.
- Always use your bike on a clean, solid and level surface.

Using the Pulse Function on the Rear Handlebar

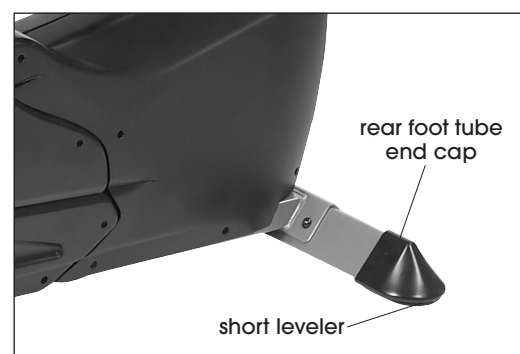
The pulse window on your Monitor works in conjunction with the pulse sensors found on the rear handlebar. When you are ready to read your pulse:

- 1) Place **both** hands firmly on the pulse sensors. For the most accurate reading, it is important to use **both** hands.
- 2) Look at your pulse window. The small heart will begin to blink.
- 3) Your estimated heart rate will appear in the window approximately 6 seconds after you grasp the pulse sensors.
- 4) Refer to the Target Heart Rate Zone Chart found on page 19 of this manual. For additional information about the importance of working within certain heart rate ranges, see pages 17 and 18 – *Measuring Your Heart Rate*.
- 5) This estimate is not exact and persons with medical conditions and/or a specific need for accurate heart rate monitoring should not rely on the estimations provided.



Adjusting the Level of the Bike

The Short Levelers are located on the bottom of the Rear Foot Tube End Caps. To raise the Foot Tube, turn the Short Levelers counter-clockwise with the Allen Wrench provided. To lower the Foot Tube, turn the Short Levelers clockwise with the Allen Wrench. Make sure the bike is level before exercising.



OPERATING THE MONITOR

WARNING

Do not plug AC Adapter into wall until monitor is completely assembled.

INTRODUCTION

This Monitor provides different programs designed to tailor to your fitness goals. Simply choose the program you like, set the parameters and begin exercising. The Monitor will display calories, RPM, time, speed, wattage, pulse, heart rate and distance.

IMPORTANT

Always consult with your physician before beginning any exercise program. If you are taking medication which may affect your heart rate, a physician's advice is absolutely essential.

WARNING

Do not attempt to open the back cover of the Monitor console. This is not a battery storage area; this Monitor is powered by an AC Adapter. This unit is to be used only indoors and in a dry location. Do not plug the AC Adapter into the wall until the electronics monitor is completely assembled.

DATA INPUT BUTTONS

1. **START/STOP** To Start or Stop a workout, press this button. Start Body Fat Measurement and quit the Body Fat Measurement.
2. **DOWN** Decreases the value of a selected workout parameter. During the workout, it will decrease the resistance load.
3. **UP** Increases the value of a selected workout parameter. During the workout, it will decrease the resistance load.
4. **ENTER** To input desired value or workout mode.
5. **TEST** Press to enter into Recovery function when the Monitor has the heart rate value. Recovery is Fitness Level 1-6 after one minute. F1 is the best, and F6 is the worst.
6. **MODE** Press to switch display from RPM to SPEED, and ODO to DIST during workout.



USING YOUR MONITOR

Plug the AC Adapter into the unit and then into a 110 volt electrical socket to turn the Monitor on. When the Monitor is first turned on, the display will emit a beep as the entire LCD Display lights up.

Press Up or Down on the Key Pad to move to the desired program. When the program is flashing, that is the program that would be selected. Press Enter to select the desired program. If the parameters in the program are at zero in the beginning of the workout, the parameters will count up from zero. During the workout, the Up and Down will increase (UP)/decrease (DOWN) the resistance load. The program profiles and functions are described in detail below and on the following pages.

Note: If there is no input signal for over 4 minutes, the system will enter Sleep Mode and all displays will turn off automatically. Simply re-starting your workout or pressing any button will result in the LCD screen powering up again.

Holding the Start/Stop button for three seconds will reset all function value to zero.

FUNCTION	DISPLAY VALUE
TIME (minutes)	00:00 - 99:00 (Count Up) 99:00 - 00:00 (Count Down)
SPEED (MPH)	0 - 99.5
DISTANCE (miles)	0.00 - 99.9
CALORIES	0 - 999
PULSE (Beats per minutes)	40 - 240