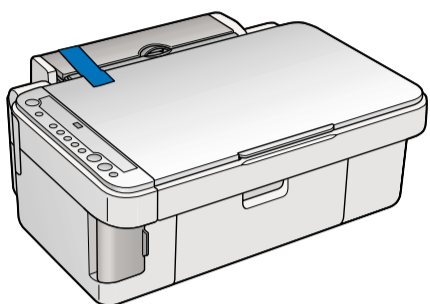


# Start Here

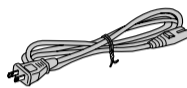
## Epson Stylus® CX4600

### 1 Unpack

Remove all the tape.



4 ink cartridges

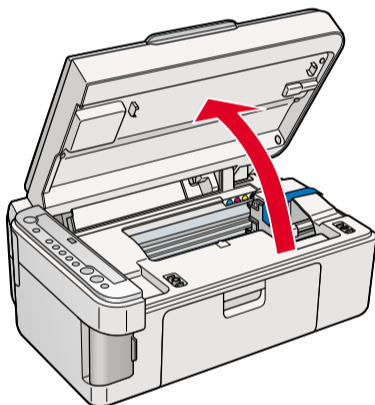


If any of these parts are missing, contact Epson® as described on the back of this sheet.

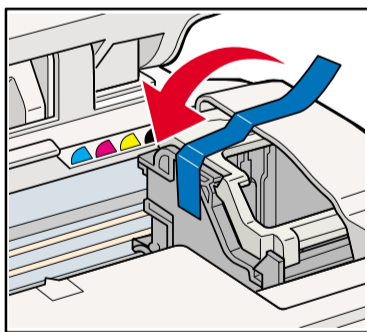
4049973-00 XXX

### 2 Unlock the Printer

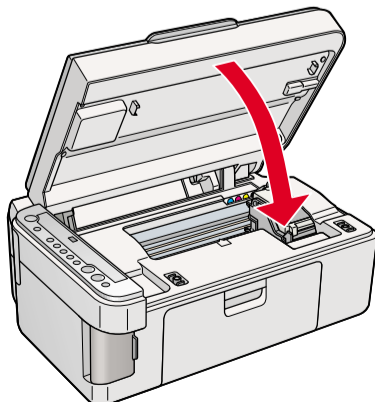
1 Lift up the scanner.



2 Remove the tape from the ink cartridge holder.



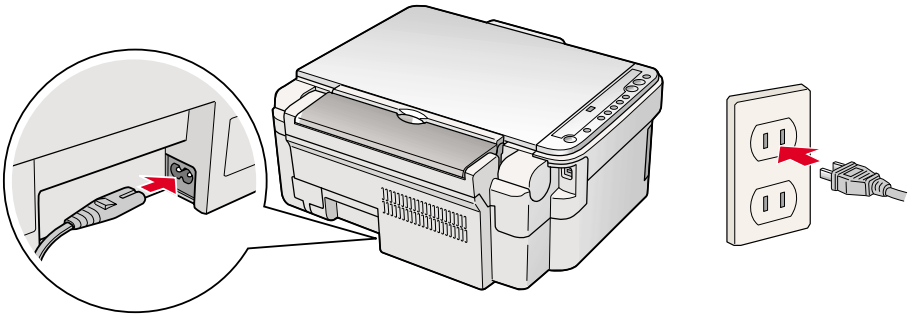
3 Close the scanner.



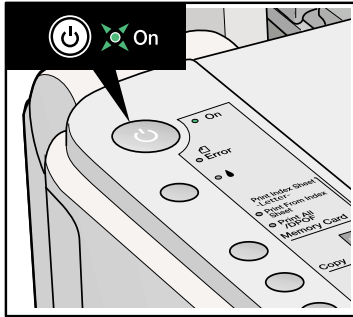
# 3

## Turn On the CX4600

1 Connect the power cable.



2 Press the  On button.

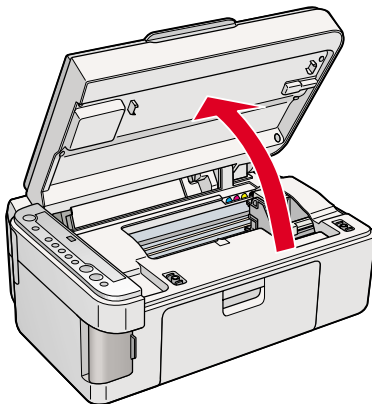


# 4

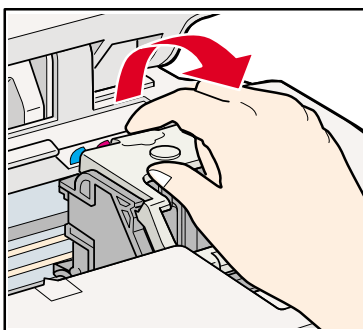
## Install Ink Cartridges

**Caution:** Don't load paper before installing the ink cartridges.

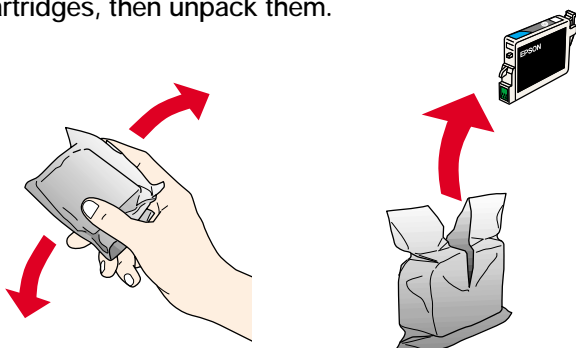
1 Lift up the scanner.



2 Open the ink cartridge cover.

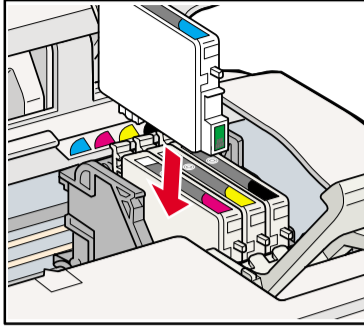


3 Shake the ink cartridges, then unpack them.

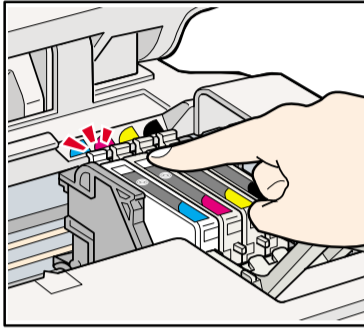


*continue*

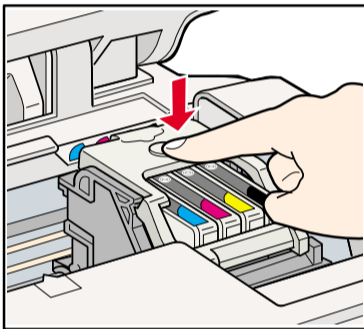
4 Insert the cartridges in the holder for each color.



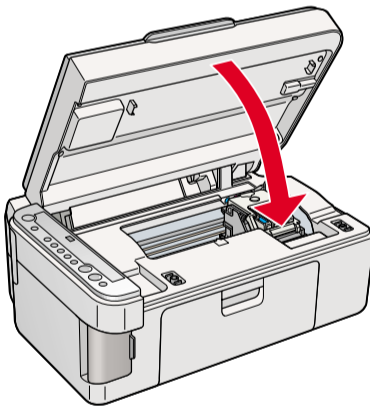
5 Press the cartridges down until they click.




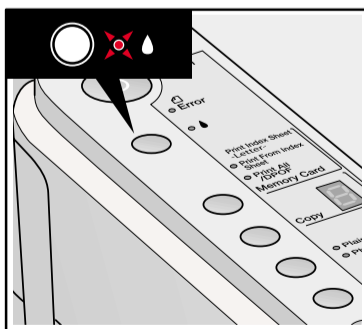
6 Close the ink cartridge cover and press it down.



7 Close the scanner.



8 Press the  ink button to charge ink. Charging takes about 2 minutes.

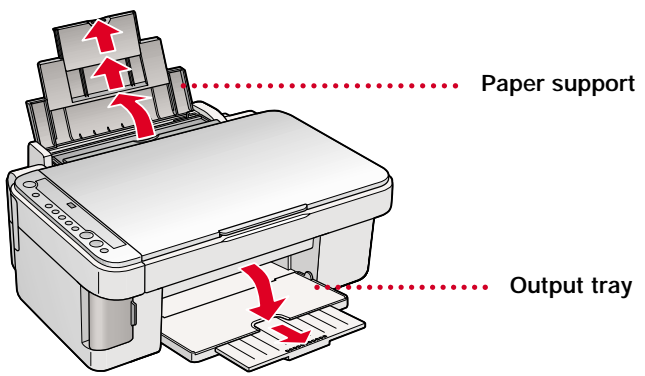


**Caution:** Don't turn off the CX4600 while the On light is flashing or you'll waste ink.

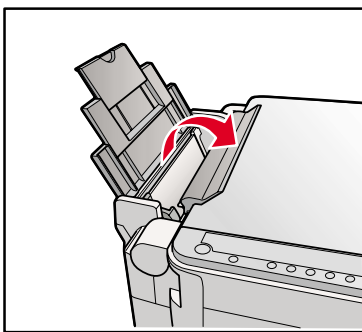
# 5

## Load Paper

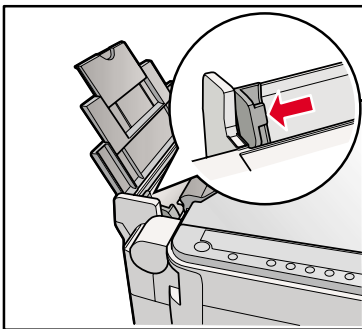
- 1 Open the paper support and pull up its extensions.
- 2 Open the output tray and pull out its extension.



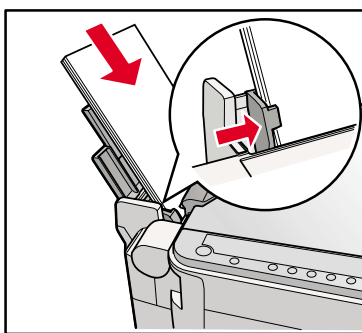
- 3 Flip the feeder guard forward.



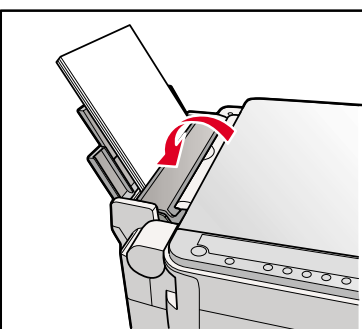
- 4 Slide the edge guide left.



- 5 Load paper against the right edge guide and slide the left edge guide over.



- 6 Flip the feeder guard back.



# 6

## Install Software

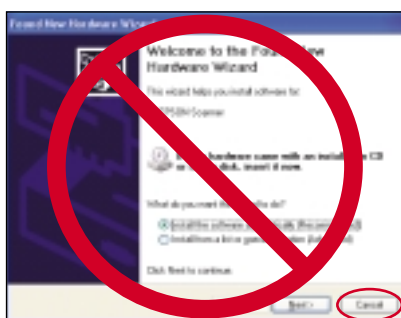
Your software works with Windows® 98SE, Me, 2000, and XP, and Macintosh® OS 9.1 to 9.2.2 and OS X 10.2.x and 10.3.x.

### Windows

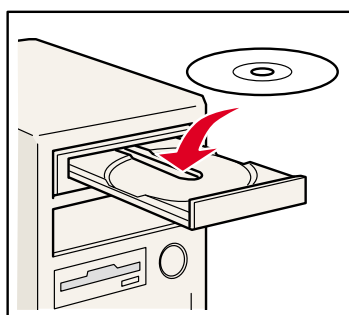
- 1 Make sure the CX4600 is **NOT CONNECTED** to your computer.



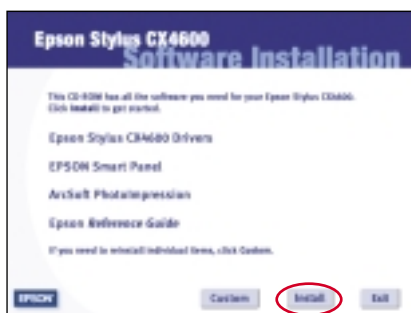
**Note:** If you see a screen like this, click **Cancel** and disconnect the USB cable. You can't install your software that way.



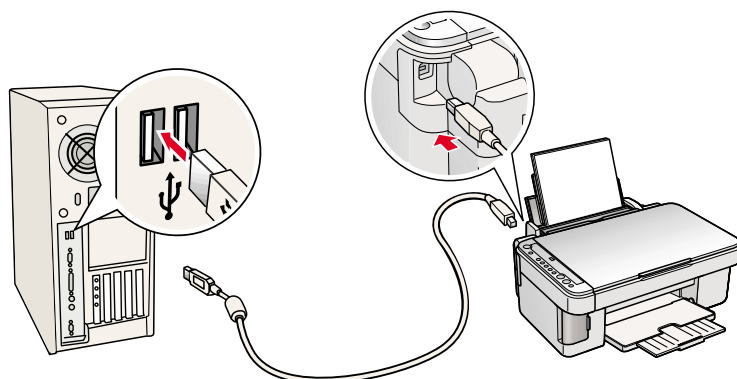
- 2 Insert the CX4600 CD.



- 3 Click **Install** and follow the on-screen instructions. Software installation takes several minutes.



- 4 When prompted, connect the USB cable. Use any open USB port on your computer.



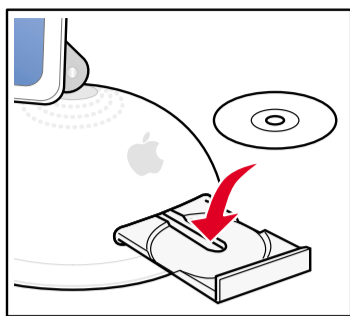
**Note:** If installation doesn't continue after a moment, make sure you are securely connected and turned on the CX4600.


- 5 When you're done, remove the CD and restart your computer.

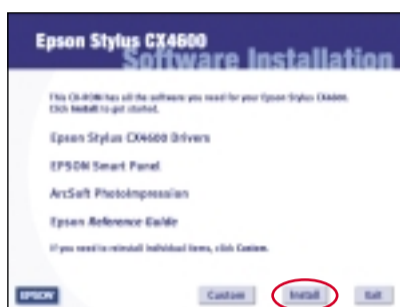
You're ready to copy, print, and scan! See the *Quick Reference* book or your on-screen *CX4600 Reference Guide*.

# Macintosh

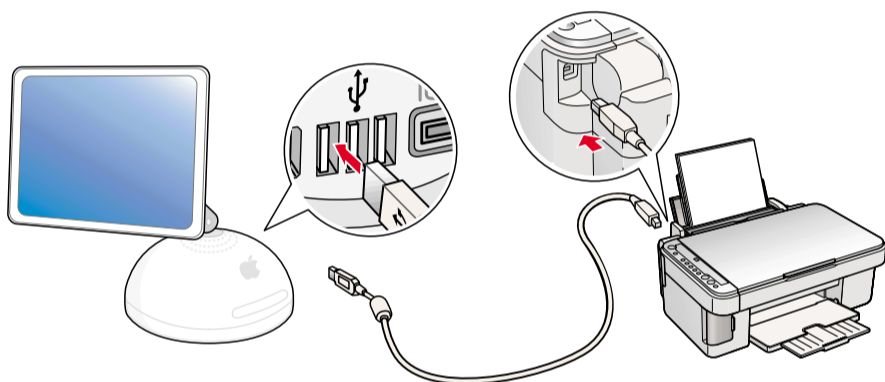
- 1 Insert the CX4600 CD.



- 2 Open the Epson CD-ROM desktop icon and click the  Epson icon.
- 3 Click **Install** and follow the on-screen instructions. Software installation takes several minutes.



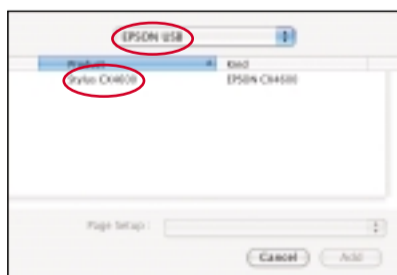
- 4 Connect the USB cable. Use any open USB port.



- 5 Remove the CD and restart your Macintosh.
- 6 Select your printer as described below.

## OS X

- 1 Access **Print Center** or the **Printer Setup Utility** in **Applications > Utilities**.
- 2 Follow any on-screen instructions to add the CX4600 printer.
- 3 At this screen, select **EPSON USB** at the top and **Stylus CX4600** below.



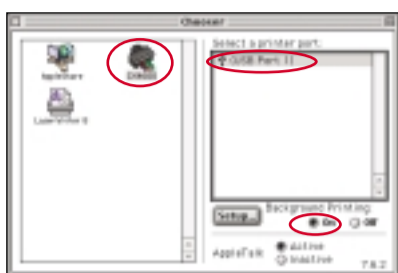
- 4 Click **Add**.
- 5 Quit **Print Center** or the **Printer Setup Utility**.

**Note:** If you print with **Classic Mode** applications, install your software on OS 9 too.

You're ready to copy, print, and scan! See the *Quick Reference* book or your on-screen *CX4600 Reference Guide*.

## OS 9

- 1 Access the Chooser in the Apple menu.
- 2 Select CX4600, your USB port, and Background Printing On.

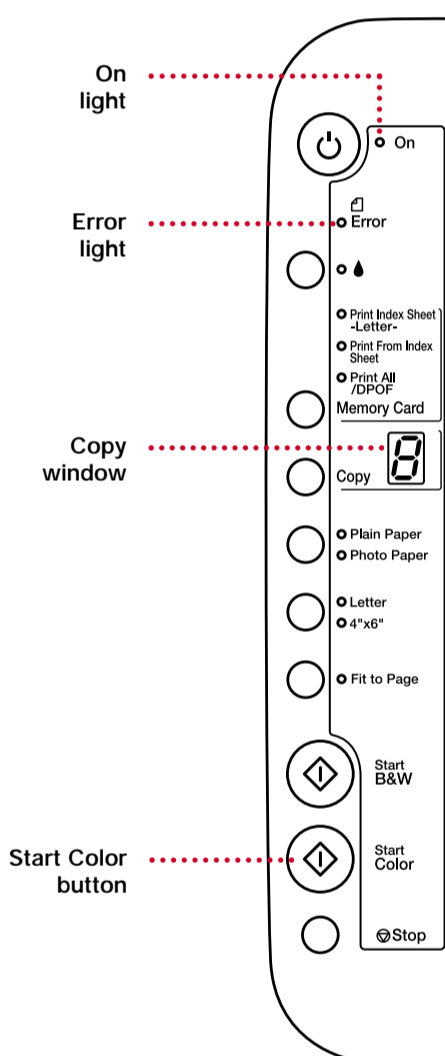


- 3 Quit the Chooser.

You're ready to copy, print, and scan! See the *Quick Reference* book or your on-screen *CX4600 Reference Guide*.

## Any Problems?

- If the green On light is flashing, just wait until it stops before pressing any control panel buttons.
- If the red Error light is on, turn the CX4600 off and then on to clear the error.
- If the red Error light is still on or flashing, check your paper loading and ink installation, and look for remaining packing material.
- If the red Error light is flashing rapidly and an H appears in the Copy window, the paper thickness lever is in the  position. See your *Quick Reference* book for instructions on setting the lever position.
- If you suspect a paper jam, press the Start Color button to eject the paper, then pull out the jammed sheets from the sheet feeder or output tray. See your *Quick Reference* book for details.
- If you have trouble copying, scanning, or printing from your computer, make sure you installed all of your software as described on this sheet. If necessary, uninstall and reinstall it.
- If you have a print quality problem, you may need to clean your print head. See your *Quick Reference* book for instructions.



See your *Quick Reference* book and on-screen *CX4600 Reference Guide* for more problem-solving information.

# Any Questions?

Look here for answers:

**Quick Reference book** .....

Basic steps for using the CX4600.

**On-screen CX4600 Reference Guide**

Click the desktop shortcut for easy access to CX4600 information.

**On-screen help with your software**

Select **Help** or **?** when you're using your software.

**Epson Technical Support**

- **World Wide Web**  
<http://support.epson.com>
- **Automated Telephone Services**  
Call (800) 922-8911 with a touch tone telephone.  
Use Epson SoundAdvice<sup>SM</sup> Express Code **70565** for the CX4600.
- **Speak to a Technical Support Representative**  
Call (562) 276-4382 (U.S) or (905) 709-3839 (Canada), 6 AM to 6 PM, Pacific Time, Monday through Friday. Toll or long distance charges may apply.

**Software Technical Support**

- **EPSON Smart Panel™**  
(510) 445-8616  
Fax: (510) 445-8601  
Web: [www.newsoftinc.com](http://www.newsoftinc.com)  
E-mail: [contactus@newsoftinc.com](mailto:contactus@newsoftinc.com)
- **ArcSoft® PhotoImpression™**  
(510) 440-9901  
Web: [www.arcsoft.com](http://www.arcsoft.com)  
E-mail: [support@arcsoft.com](mailto:support@arcsoft.com)



# Need Paper and Ink?

For the best prints and copies, use genuine Epson ink and paper. Get them from your local store or from the Epson Store<sup>SM</sup> at (800) 873-7766 or [www.epsonstore.com](http://www.epsonstore.com) (U.S. sales only). In Canada, please call (800) 463-7766 for dealer referral.



**T044120**  
Black ink  
cartridge

**T044220**  
Cyan ink  
cartridge

**T044320**  
Magenta ink  
cartridge

**T044420**  
Yellow ink  
cartridge



**Premium Bright White Paper**

Ultra-smooth white paper perfect for everyday use.



**DURABrite® Ink Glossy Photo Paper**

Heavier weight paper for long-lasting enlargements and snapshots.



**Matte Paper Heavyweight**

Fade-resistant, water-resistant paper with a flat matte finish for printing photos and graphics.

Epson and Epson Stylus are registered trademarks and EPSON Smart Panel is a trademark of Seiko Epson Corporation. DURABrite is a registered trademark and SoundAdvice and Epson Store are service marks of Epson America, Inc.

General Notice: Other product names used herein are for identification purposes only and may be trademarks of their respective owners. Epson disclaims any and all rights in those marks.

© 2004 Epson America, Inc. 5/04

CPD-18248

Printed in XXXXXX XX.XX-XX