

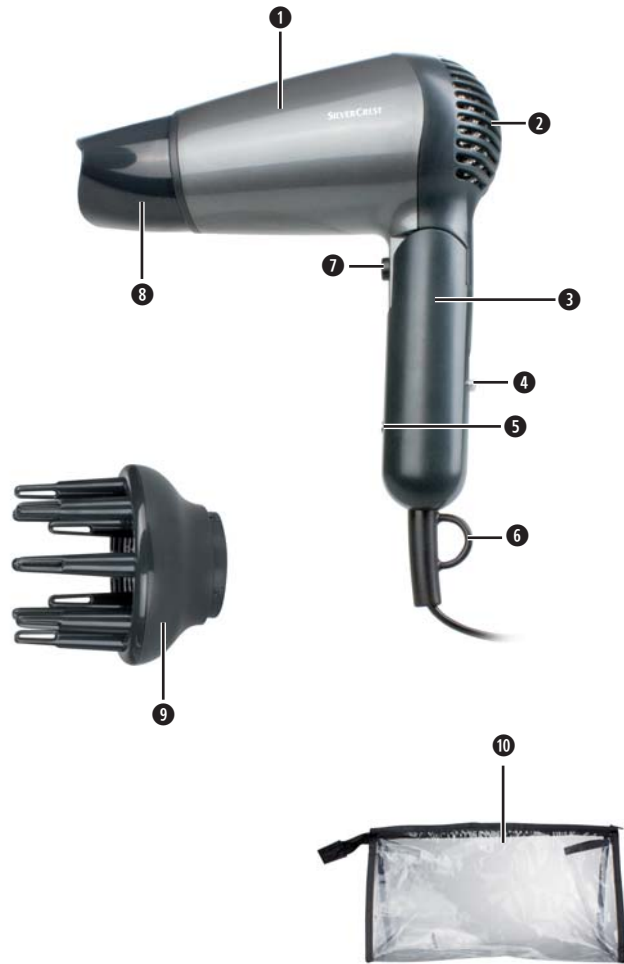
Travel Hairdryer SRHT 1500 A2

6 1



GB **Travel Hairdryer**
IE Operating instructions
CY

KOMPERNASS GMBH
BURGSTRASSE 21 · D-44867 BOCHUM
www.kompernass.com
ID-Nr.: SRHT 1500 A2-10/10-V1
IAN: 61536



INDEX	PAGE
Safety instructions	2
Intended Use	5
Items supplied	5
Operating Elements	6
Ion function	6
Operation	7
Drying and styling hair	8
Cleaning	9
Troubleshooting	10
Disposal	10
Technical data	10
Warranty and Service	11
Importer	12

Read these operating instructions carefully before using the appliance for the first time and preserve this manual for later reference. Pass this manual on to whoever might acquire the appliance at a future date.

TRAVEL HAIRDRYER

Safety instructions

Reduce the risk of electric shock

- ALWAYS set the voltage selector on the hairdryer to the rating of the local power supply. UNDER NO CIRCUMSTANCES should you operate the appliance on a 230-240 V mains supply when the voltage selector switch is set at 120 V (or vice-versa). It would destroy the appliance and the guarantee would be void. Adjust the voltage selector with a coin. Make enquiries about the rating of the local electrical mains supply with the energy supplier or with the hotel personnel. First when this has been done insert the plug into a power socket and then switch your travel hair dryer on.
- Connect the travel hair dryer only to correctly installed mains power sockets with a current rating of 120/230 -240 V at 60/50 Hz.




Under no circumstances may the appliance be submersed in fluids or fluids be allowed to permeate the housing.

- Do not expose the appliance to humidity and do not use it outdoors. Should liquids enter the housing, unplug the appliance from the power socket immediately and have it repaired by a qualified technician.

- As additional protection we recommend the installation of a residual-current-operated protective appliance with a rated tripping current of not more than 30 mA in the bathroom circuit.
Ask your electrician for advice.
- In the event of operating malfunctions and before cleaning the appliance, remove the plug from the wall socket.
- To disconnect, always pull the plug from the power socket, do not pull the power cable.
- Do not wrap the power cable around the appliance and protect it from being damaged.
- Do not crease or crimp the power cable and place it in such a way as to prevent anyone from stepping on or tripping over it.
- To avoid risks, arrange for defective power cables and/or plugs to be replaced immediately by qualified technicians or our Customer Service Department.
- In order that you can disconnect the appliance quickly in an emergency, do not use extension cables.
- NEVER grasp the appliance, power cable or plug with wet hands.
- Unplug the appliance immediately after use. The appliance is completely free of electrical power ONLY when unplugged .
- You may not open the housing or repair the appliance yourself. Should you do so, appliance safety can no longer be assured and the warranty will become void. Permit only authorised technicians to repair a defective appliance if repairs should be necessary.

Warning

Under no circumstances should you use the travel hair dryer in the close vicinity of baths, washbowls or other receptacles containing water .

The proximity of moisture presents a danger, even when the appliance is switched off. After use, always remove the plug from the power socket.

Risk of burns and physical injuries

- This appliance is not intended for use by individuals (including children) with restricted physical, physiological or intellectual abilities or deficiencies in experience and/or knowledge unless they are supervised by a person responsible for their safety or receive from this person instruction in how the appliance is to be used. Children should be supervised to ensure that they do not play with the appliance.
- Never lay the travel hair dryer down when it is switched on and never leave a switched on appliance unsupervised.
- Do not place the appliance close to sources of heat and protect the power cable from damage.
- Do not operate the appliance if it has sustained a fall or is damaged. Arrange for the appliance to be checked and/or repaired by qualified technicians.
- Do not cover the ventilation grid while operating the appliance. Clean it at regular intervals.
- The appliance becomes hot when in use. Hold it only by the grip when it is hot.

Intended Use

The travel hair dryer is only intended for use in drying and shaping human hair and absolutely not for use with wigs and hairpieces made of synthetic material. You may use the travel hair dryer exclusively in private households. Pay heed to the information in this operating manual, especially the safety instructions.

Items supplied

- Travel Hair Dryer
- Styling nozzle
- Storage bag
- Finger Diffusor
- Operating manual

Operating Elements

- 1 Travel Hair dryer
- 2 Air suction grill
- 3 Grip
- 4 Function switch
- 5 Voltage selector
- 6 Suspension eyelet
- 7 Button "COOL"
- 8 Styling nozzle
- 9 Finger diffuser
- 10 Storage bag

Ion function

This travel hair dryer is fitted with an ion function.

This is activated automatically when you switch it on.

When drying hair using a "normal" hair dryer, the hair tends to charge itself with static and then begins to "fly".

The ionic function generates negatively charged ions. These are brought to the hair by the air flow. Thereby, the positive static charge in the hair is neutralised and voided. The hair will be soft, supple, shiny and easier to style.

Operation

- Fold the travel hair dryer ❶ open until the grip ❸ palpable locks in.

Warning

Always set the voltage selector on the hairdryer ❶ to the rating of the local electrical power supply, if you do not, the appliance could be damaged.

- Adjust the voltage selector ❺ with a coin, until a click is heard. Make enquiries about the rating of the local electrical mains supply with the energy supplier or with the hotel personnel.
- Insert the power plug into a wall power socket.
- Fit the styling nozzle ❸ onto the front of the travel hair dryer ❶: Ensure that the plastic latches on the styling nozzle ❸ grip into the guides on the travel hair dryer ❶. Turn the styling nozzle ❸ until it engages and sits firmly.
Turn the styling nozzle ❸ in the other direction and remove it by pulling it to the front if you wish to use a broader stream of air.

- Switch the travel hair dryer ❶ on with the operating switch ❷. The travel hair dryer ❶ is fitted with a three-position switch: "0" (Off), "1" (gentle airflow, warm) and "2" (strong airflow, hot). In the event of overheating, the travel hair dryer ❶ automatically switches itself off.

Drying and styling hair

- For quick-drying of the hair, we recommend a short time at switch position "II", and afterwards switch to position "I" for forming and styling. If you wish to create a cold air stream, press and hold the button "COOL" ❸.

With the supplied styling nozzle ❹ you can accurately direct the air flow for styling.

If you wish to dry your hair especially gently, or with so-called "air-dried permanent waves", use the finger diffuser ❺.

- For this, remove the styling nozzle ❹ and replace it with the finger diffuser ❺:
Ensure that the plastic latches on the finger diffuser ❺ grip into the guides on the travel hair dryer ❶. Turn the finger diffuser ❺ until it engages and sits firmly.
- Before you comb out your hair, allow it to cool so that the shaping and styling can retain its form.

Important!

Pack and transport the travel hair dryer ❶ only when it has completely cooled down. Otherwise it could damage other items.

The travel hair dryer ❶ and the accessories can be packed and transported in the supplied storage bag ❿.

Cleaning

Risk of electrical shock!

Always remove the mains plug from the socket before you clean the appliance.

- Use a soft cloth, lightly moistened with a mild detergent solution, to clean the housing.

Risk of electrical shock!

Before you use the travel hair dryer again after cleaning, ensure that it is completely dry.

Fire hazard!

Clean the air suction grill ❷ at regular intervals with a soft brush.

Troubleshooting

Should your travel hair dryer not function as expected, remove the plug from the power socket and contact the manufacturer.

Disposal



Do not dispose of the appliance in your normal domestic waste. This product is subject to the provisions of European Directive 2002/96/EC.

Dispose of the appliance through an approved disposal centre or at your community waste facility.

Observe the currently applicable regulations.

In case of doubt, please contact your waste disposal centre.



Dispose of all packaging materials in an environmentally friendly manner.

Technical data

Mains voltage: 230 - 240 V / 120 V ~, 50 / 60 Hz

Rated output: at 120 V: 1200 W;
at 230 - 240 V: 1500 W

Protection class: II /

Warranty and Service

The warranty for this appliance is for 3 years from the date of purchase. The appliance has been manufactured with care and meticulously examined before delivery. Please retain your receipt as proof of purchase. In the event of a warranty claim, please make contact by telephone with our Service Department. Only in this way can a post-free despatch for your goods be assured.

The warranty covers only claims for material and manufacturing defects, but not for transport damage, for wearing parts or for damage to fragile components, e.g. buttons or batteries. This product is for private use only and is not intended for commercial use. The warranty is void in the case of abusive and improper handling, use of force and internal tampering not carried out by our authorized service branch. Your statutory rights are not restricted in any way by this warranty. The warranty period will not be extended by repairs made under warranty. This applies also to replaced and repaired parts. Any damage and defects extant on purchase must be reported immediately after unpacking the appliance, at the latest, two days after the purchase date. Repairs made after the expiration of the warranty period are subject to payment.

GB **DES UK LTD**

Tel.: 0871 5000 700 (£ 0.10 / minute)

e-mail: support.uk@kompernass.com

IE **Kompernass Service Ireland**

Tel: 1850 930 412 (0,082 EUR/Min.)

Standard call rates apply. Mobile operators may vary.

e-mail: support.ie@kompernass.com

Importer

KOMPERNASS GMBH

BURGSTRASSE 21

D-44867 BOCHUM

www.kompernass.com