

# Hotpoint

## FRIDGE FREEZER - MODELS RFA07, RFM07, RFA06, RFM06 INSTRUCTIONS FOR INSTALLATION & USE

**GETTING STARTED:** To ensure that your fridge freezer runs reliably and efficiently follow these steps.

This appliance must not be installed in a location where the room temperature drops below 10°C, or exceeds 32°C, for prolonged periods.

### STEP 1

Choose a location for your fridge freezer, away from any heat sources and allow adequate ventilation - 100mm (4 inch) gap above.



### STEP 2

Move the fridge freezer into position, using the sides of the cabinet. Take care to avoid damaging the refrigerant circuit pipe work on the rear.



### STEP 3

Level the fridge freezer by adjusting the front feet. This will stop rocking or vibration and keep the door aligned.

NB. The spanner is for illustration only and is not supplied with the fridge freezer.



### STEP 4

Before plugging in and switching on, leave the fridge freezer in its final location for at least 15 minutes to allow it to settle.



### STEP 5

Plug in and switch on. Allow the fridge freezer to cool before placing food inside. All food in the fridge freezer should be covered.



### STEP 6

Your fridge freezer is now working. If after 24 hours your fridge freezer is not operating as you want, refer to the TROUBLESHOOTING section.



Read the rest of these instructions to get the best from your appliance and remember to fill in your guarantee registration.

Keep this Book in a safe place for quick reference.

SAFETY &  
INSTALLATION

CONTROLS

USEFUL ADVICE

CLEANING &  
MAINTENANCE

TROUBLESHOOTING

SERVICE &  
GUARANTEE

# For Your Safety

## For your safety, read the following advice:

The fridge freezer cooling system contains a small amount of gas which is environmentally friendly but flammable. To avoid any risk :-

- Install the fridge freezer following the installation instructions and ensure that ventilation openings are kept clear of obstruction.
- Take care when installing or moving the fridge freezer to avoid damaging the pipes on the rear.
- If you suspect a leak, do not switch on the fridge freezer, but open the windows and doors to ventilate the room.
- Do not use any mechanical or electrical devices inside the fridge freezer, for instance for manual defrosting, they may cause damage.
- Only use this fridge freezer for storing domestic foodstuffs.

## When installing your fridge freezer :-

- Ensure that the mains cable is not trapped underneath or behind the fridge freezer when you install or move it.
- Do not stack any other appliance on top of this fridge freezer as they may damage the fridge freezer or become unstable.

## When using your fridge freezer :-

- Do not sit or stand on top of your fridge freezer.
- Do not store poisonous, flammable or dangerous substances in your fridge freezer.
- Do not use aerosol sprays for defrosting or cleaning your fridge freezer.

If you sell the fridge freezer, pass on this booklet to the new owner.

# Installation

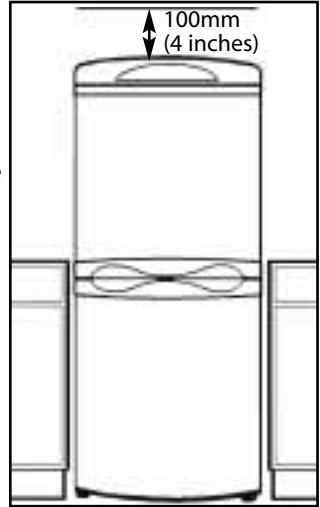
## Location & Air Circulation

**WARNING:** This appliance must not be installed in a location where the room temperature drops below 10°C, or exceeds 32°C, for prolonged periods. This is because correct storage temperatures will not be maintained. Locate your fridge freezer away from sources of heat e.g. cookers, radiators, direct sunlight as extreme temperature will affect its performance.

Allow a minimum 100mm (4 inches) between the top of the fridge freezer and the ceiling or the underside of a wall cupboard.

Providing you follow the recommended ventilation requirements you will :-

- Prolong the life of the fridge freezer.
- Minimise the risk of condensation on the outside of the fridge freezer.
- Minimise the running costs.
- Minimise operating sounds caused by vibration.

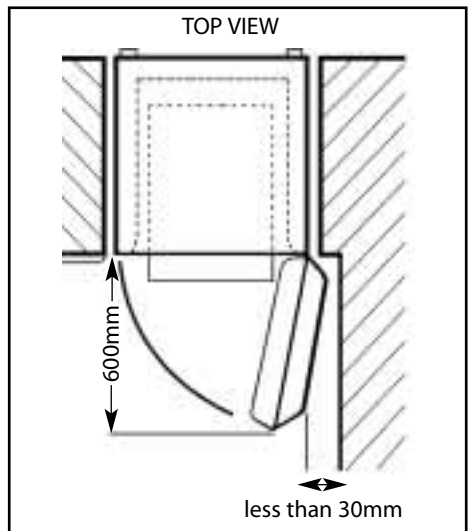
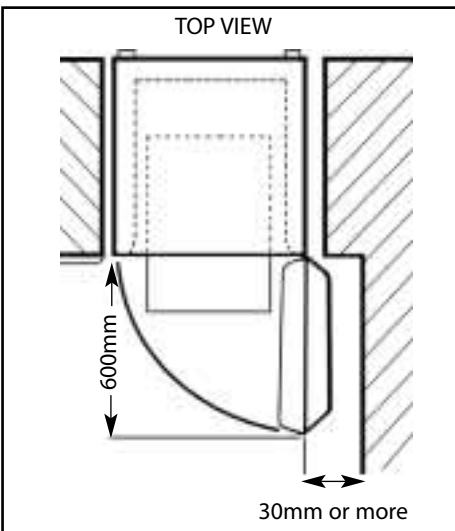


SAFETY &  
INSTALLATION

## Minimum space required to open door

The fridge freezer needs a space of 600mm (24 inches) in front to allow the door to open.

When positioning the fridge freezer next to a unit, a gap of 30mm (1¼ inch) can be left at the hinge side of the door to allow the easy removal of furniture. If preferred the fridge freezer can be positioned so that a gap is not left. This will restrict how far the door can be opened but the furniture can still be removed (see diagrams below). The door hinge side can be changed to make it easier to open (see 'Door Reversal' in the CLEANING & MAINTENANCE section).



# Installation

## Levelling:

Level the fridge freezer when it is in its final location by adjusting the front feet, until firm contact is made with the floor. This will stop rocking or vibration and keep the doors aligned which helps the fridge freezer run reliably and efficiently.

**Note: Before plugging in and switching on, leave the fridge freezer standing in its final location for at least 15 minutes to allow it to settle.**

**WARNING:** Failure to level the appliance correctly may result in misalignment of the cabinet and/or doors.

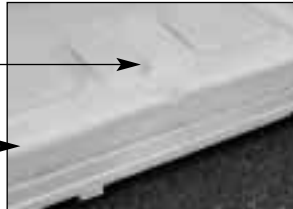
## Defrost Tube:

A tube is supplied to help feed defrost water into a collecting vessel, ie. a bowl (see 'Defrosting' in the CLEANING & MAINTENANCE section).

For safe keeping until required, the tube can be stored in the floor of the freezer compartment.

Defrost tube in storage position

Floor of the freezer compartment



# Installation

## Electrical Supply

**WARNING:** This appliance must be earthed.

**The appliance must be positioned so that the plug is accessible after installation.**

## Fuses

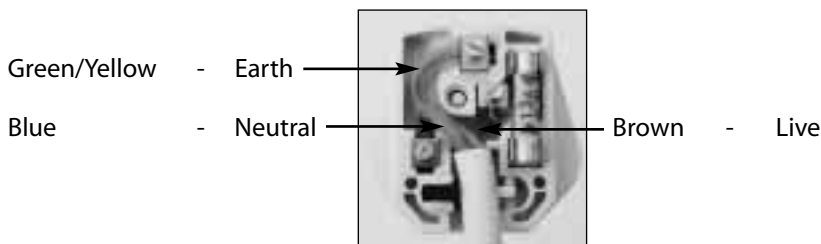
Your appliance comes fitted with a plug and a 13A fuse. If you need to replace the fuse, only use those rated at 13A and ASTA approved to BS1362.

## Changing the Plug

Cut off and dispose of the supplied plug if it does not fit your socket.

**WARNING:** To avoid a shock hazard do not insert the discarded plug into a socket anywhere else.

IMPORTANT WIRES IN THE MAINS LEAD ARE COLOURED IN ACCORDANCE WITH THE FOLLOWING CODE :



If you change the plug, the colour of wires in the mains lead may not correspond with the colour of the markings identifying terminals in the plug. You should therefore wire it as shown above.

## Changing the Mains Lead

This appliance is fitted with a special mains lead. If you need to replace the mains lead due to damage, one can be bought from Hotpoint Service (see KEY CONTACTS, back page).

It is strongly advised that this work is carried out by a qualified electrician.

**CE** CE Marking certifies that this appliance conforms to the following EEC directives : Low Voltage Equipment - 72/23/EEC & 93/68 EEC  
Electromagnetic Compatibility 89/336/EEC, 92/31/EEC & 93/68/EEC

# Controls

## Controlling the Temperature of the Fridge Compartment

The control wheel on the front of the worktop adjusts the internal fridge compartment temperature. The internal temperature should be 5°C or colder, although some sections such as the salad bin will be slightly warmer. The setting of the control wheel will depend on the location of the appliance, the room temperature and how often the doors are opened. The normal set point (marked by a 3 and N on the dial) is usually suitable. If you need to adjust the temperature turn the control wheel:

Clockwise (higher number) - **Colder**  
Anti-clockwise (lower number) - **Warmer**



## Controlling the Temperature of the Freezer Compartment

With a suitable fridge compartment temperature, the freezer compartment will automatically be maintained at the correct temperature (below -18°C).

You can check the temperature of the fridge freezer compartments by using a Fridge Freezer Thermometer available from Hotpoint Genuine Parts and Accessories Mail Order Hotline (see KEY CONTACTS back page).

**WARNING:** Do not use a mercury filled thermometer, as breakage would cause a health hazard.

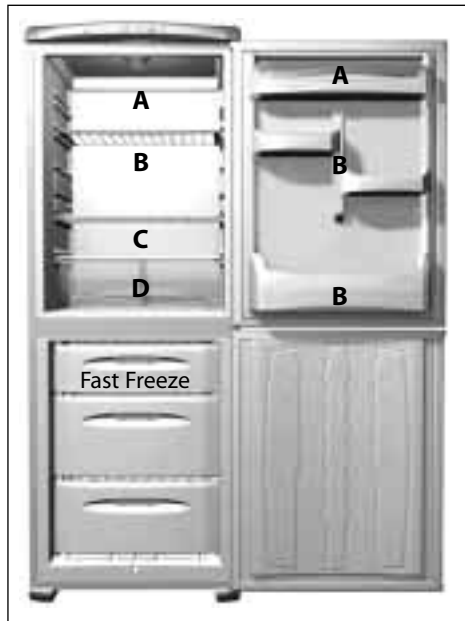
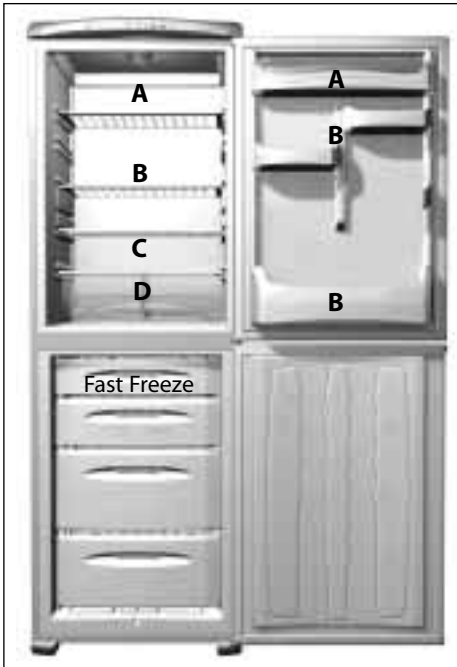
# Useful Advice

**Note:**

**The Rating Plate, which lists the appliance Model Number and Serial Number can be found near the bottom of the freezer compartment on the interior wall.**

**Note:**

**The photographs indicate the Fast Freeze and storage areas (see tables). The fridge cabinet and door furniture will vary according to each model specifications.**



# Useful Advice

## Making the best use of your Fridge Freezer

**Note : Always use the handle provided to open the fridge / freezer door.**

To ensure that your fridge freezer operates as efficiently as possible :

- Follow food packaging “best before/use by” instructions or your suppliers advice on a suitable maximum storage time.
- Keep foods tightly covered to retain moisture and prevent flavour/odour transference. Plastic bags, aluminium foil, plastic stretch wrap and containers with lids are ideal.
- Select chilled and frozen food last when shopping, transport in a ‘cool bag’ and place in freezer as soon as possible after arriving home.
- Avoid opening the doors unnecessarily or for longer than needed.
- Allow hot or warm food to cool down in covered containers before placing in the fridge or freezer, as placing hot food inside reduces efficiency.
- Prepare fresh foods for freezing in small quantities to ensure that the food freezes quickly and so that its quality does not deteriorate.
- Ensure that packets/containers of food are dry before freezing otherwise they may freeze together.

## Storing Food in a Fridge

- Pack and store cooked and fresh food separately.
- Wrap raw or defrosting meat and poultry in polythene or foil and store below cooked foods and dairy products to avoid contamination of dripping food juices.
- Wrap cheese in greaseproof paper and place in an airtight container or polythene bag.  
Bring to room temperature before consuming.
- Empty left over canned food into a covered storage containers before placing in the fridge.
- Position food to allow cold air to circulate freely, ensuring nothing comes into contact with the back of the fridge compartment, or covers the defrost gutter drain hole below this.
- Use the different storage zones inside your fridge compartment to store a wide variety of food items.

## STORAGE ZONES

Zone	Type	Food Storage
A	Cool	Dairy products, Cheese, butter, margarine, Low fat spreads, cooking fats / lards Preserves - Jam, curd, marmalade, spread, salad dressing or sauces.
B	Colder	General food storage
C	Coldest	Meat fish & poultry Pre-cooked / chilled food
D	Salad Bins	Vegetables, fruit and salad items (Not recommended for the storage of bananas or onions).



# Useful Advice

## Commodity and Bottle Racks

Commodity racks can be repositioned in the door to suit your storage requirements. The lidded commodity rack is recommended for the storage of dairy items, such as butter, margarine and cheese.

To remove, lift rack vertically to release from fixing supports. To replace, align grooves on either side of the rack above fixing supports and push down until secure.

In order to get the best results from the bottle retainer it is advised that it be positioned centrally on the bottle rack.

## Advice on Adjusting Shelves

Make the most of the interior storage space by repositioning shelves to suit the various heights of individual items you wish to store.

To remove, ensure that the door is open fully. Slide the shelf forward and tilt from position.



# Useful Advice

## Salad Bins

For the storage of fruit, vegetables and salad items.

When storing vegetables, remove unusable leaves and soil. Leave lettuce, cabbage and cauliflower on the stem.

It is advisable to clean the salad bin regularly, it can be removed by sliding it out from position.

***Note : Care must be taken to ensure that the salad bin is pushed in fully before shutting the fridge door.***

# Useful Advice

## STORAGE GUIDE

	RFA07, RFM07	RFA06, RFM06
Frozen Food Storage Capacity	35kg	30kg
Maximum Freezing Capacity in 24 hours	5kg	4.5kg
Maximum Conservation Time from Failure	18 hours	21 hours

### Storing Food in a Freezer

- Freeze and store either fresh food or long term commercially frozen foods.
- Generally speaking long term storage means up to 3 months but this can vary, so always follow your supplier's recommendations otherwise refer to the pictorial guide on the door liner (as shown, right).
- Place frozen food in the freezer compartment as soon as possible after buying it.
- Liquid-filled bottles or sealed fizzy drinks must not be stored in freezer, as they may burst.
- Lollipops and water ices should not be given to children directly from the freezer the low temperature may cause 'freezer burns'.
- Store ice cream towards the top front of the freezer and remove from freezer 15-30 minutes before serving.
- Ensure food is labelled and dated before placing in freezer.
- When freezing fresh food follow the instructions for using fast freeze (see CONTROLS section).
- Do not allow fresh food to come into contact with food already frozen, the frozen food could start to defrost.
- Once thawed, food should be cooked and eaten within 24 hours or cooked and refrozen.
- Fully defrost your freezer when the ice is between 3-5mm thick ( $\frac{1}{4}$  inch) (see CLEANING & MAINTENANCE section).



**Note : A thick layer of ice will increase the running costs of your freezer.**

### Freezing Fresh Food

It is not necessary to alter the control setting.

Transfer any frozen food from the top drawer to the other drawers. Then, place the fresh food in the top drawer with as much as possible in contact with the base, and if possible also pushed towards the rear.

# Useful Advice

## Advice on Using Freezer Drawers

The freezer compartments can be used with or without the drawers. However, the bottom drawer needs to remain in position at all times (to maintain the correct storage temperature).

It is generally more convenient to use the drawers but if a lot of food is to be stored the drawers can be taken out and food placed directly onto the grids.

Ensure that packets/containers of food are thoroughly dry before placing onto the grids.

The storage drawers can be easily removed. Pull the drawer towards you until it reaches its stop position. Hold securely on both sides, lift the front of the drawer to release and remove.

For cleaning advice see CLEANING & MAINTENANCE section.

When using the frozen food storage drawers, ensure that they are pushed back fully before closing the door.

Food can be separated into different storage drawers for easy identification.

When lifting or removing the large deep drawer it is important to hold the side handles and not the front handle.

**WARNING:** The freezer drawers can become heavy when fully loaded with food. Care must be taken if attempting to lift or carry a full freezer drawer. It is recommended to remove the required food, rather than the whole freezer drawer.

**Note :** *It is important not to touch or move any of the freezer drawers/parts with wet hands as it may cause freezer burn or discomfort.*

## Ice Tray

When making ice, use the tray provided. Take care not to overfill with water. Uncovered food should not be placed near the ice tray as it can affect the flavour of the ice.

**Note :** *Empty, wash and refill the ice tray periodically to ensure freshness.*

# Defrosting

## Defrosting

### Fridge compartment

#### **No manual defrosting required**

The fridge compartment will defrost automatically. During defrost periods water droplets form on the interior back wall of your Fridge and refreeze afterwards.

**WARNING:** Ensure that stored food does not come into contact with the interior back wall of your Fridge. Also ensure the defrost gutter drain hole is kept clear see 'Cleaning' in the CLEANING & MAINTENANCE section.

### Freezer compartment

Regular use of your appliance causes ice to gradually build up on internal surfaces increasing the running costs of your appliance. When the ice is between 3-5mm (1/4 inch) Hotpoint recommend 'fully defrosting your freezer'.

Fully defrosting your freezer...

**WARNING:** Switch off electrical supply and pull out the mains plug.

1. Remove frozen food, wrap or cover it and place into insulated containers to keep frozen whilst the freezer defrosts.
2. Remove the storage drawers.
3. Insert the supplied defrost tube into the groove situated in the floor at the front of the freezer. Place a container beneath the tube to collect the defrost water.
4. As the frost begins to melt, use the supplied plastic scraper to remove frost. Never use sharp metal tools to remove frost as they may damage your freezer beyond repair.
5. Sponge out excess defrost water which collects at the bottom of the freezer.  
**NOTE : When defrosting is complete, clean the interior thoroughly following the instructions overleaf.**
6. Replace storage drawers.
7. Replace mains plug and switch on. Unwrap food and replace.



# Cleaning

## Cleaning

**WARNING:** Switch off electrical supply and pull out mains plug before cleaning.

### Interior

**Note :** *We recommend you use a straw to keep the defrost gutter drain hole clear of any blockage. DO NOT use sharp metal tools which could cause damage beyond repair.*

**WARNING:** Do not use abrasive powder, household cleaner, bleach or wax polish to clean the interior, they will leave a smell in the fridge freezer.

1. Remove stored food, wrap or cover it and place into insulated containers to keep cool/frozen whilst cleaning.
2. Remove salad bins, racks, shelves and drawers from each compartment. Wash in warm water and washing up liquid using a soft cloth, dry thoroughly.  
DO NOT use any cleaning agents on the wine rack, just wipe with a soft cloth.
3. Wipe interiors and fittings with a clean cloth wrung out in a solution of either one teaspoon of bicarbonate of soda to one pint of water or Milton™ sterilising fluid, diluted according to the manufacturer's instructions.
4. Dry interior compartments thoroughly with a clean cloth before replacing fittings and food.

**Note :** *It is important to ensure that cleaned shelves, racks, drawers and bins are thoroughly dried before refitting into the fridge freezer compartments.*

### Exterior

**WARNING:** Do not use abrasive powder, household cleaner or bleach, they can damage the exterior of your fridge freezer.

1. Use a clean soft cloth wrung out in warm water and washing up liquid to wipe the exterior surface, dry thoroughly.
2. Use a soft brush or vacuum cleaner to remove dust from underneath the fridge freezer and from the compressor and condenser situated at the back of the fridge freezer.

**WARNING:** Do not damage the pipework.

### Door Seals

Use warm water and a clean soft cloth to wipe along and in between the creases of the door seals, dry thoroughly. Take care not to damage the seals and avoid using sharp objects.

**WARNING:** Do not use detergent, it will damage the seals.

# Maintenance

## Going Away

If you are going away and don't want to use your fridge freezer, switch off electricity supply and pull out the mains plug. Remove food and follow the cleaning instructions on the previous page.

**Note : Leave the doors ajar to prevent an accumulation of odours.**

## Changing the Light Bulb

**WARNING:** Switch off electricity supply and pull out the mains plug

Obtain a replacement SES 15 watt bulb from the Hotpoint Genuine Parts and Accessories Mail Order Hotline (see KEY CONTACTS back page) and fit as follows :

1. Remove any shelves from directly below the interior light, to make access easier.
2. Squeeze the side of the lamp guard lightly to unclip. Remove and retain.
3. Remove old bulb and fit new one.
4. Refit lamp guard.
5. Plug in and switch on electrical supply.

# Door Reversal

## Door Reversal

You will need a selection of small hand tools, screwdrivers, spanners etc. to carry out this procedure.

Our Service Department can arrange for an Engineer to do the conversion for you but a charge will be made.

**WARNING:** Switch off electrical supply and pull out the mains plug.

Remove all door furniture and all loose items/fittings from inside the fridge freezer.

If you have previously set up and used the fridge freezer and since decided to reverse the doors, you must remove stored food, wrap or cover it and place into insulated containers to keep cool/frozen whilst carrying out this operation.

### Remove Top Door

1. Open the door as wide as possible.  
**Note : You may require assistance to do this:**
2. Support the door and using a screwdriver, remove the screw securing the top hinge.
3. Lower the top hinge and carefully tilt the door to remove the top hinge from the cabinet. Lift the door off the centre hinge.
4. Remove the top hinge from the door.



### Remove Lower Door

**Note : You may require assistance to do this:**

5. Open the lower door and while supporting the door, remove the spacing washers and pin from the centre bracket.  
*Note which way up the pin is fitted.*
6. Lift the door off the bottom hinge.
7. Take the two screw covers off the centre hinge.
8. Unscrew the two screws to remove the centre hinge.



9. Remove any spacing washers fitted to the bottom hinge and store safely.

**Note : You may require assistance to do this:**

10. Using the packaging from the appliance or a suitable substitute to support the back of the appliance. Lay the appliance on its back, ensuring the pipework at the back is not damaged or bent.  
**Be careful that the appliance does not run away with you when the wheels touch the floor.**



# Door Reversal

## Door Reversal continued...

11. Unscrew the foot and hinge bracket fitted to the bottom right hand side of the appliance. Unscrew the foot and footplate fitted to the left hand side of the appliance.
12. Refit the hinge bracket and footplate to the opposite sides of the appliance. Screw in the feet until there is approximately 35mm projecting from the bottom front edge of the appliance.

### **Note : You may require assistance to do this:**

13. Lift the appliance from the rear of the tabletop and stand it on its feet and wheels.

**Be careful that the appliance does not run away with you when the wheels touch the floor.**

Refit the spacing washers.

## Refit Lower Door

14. Take off the two screw covers from the left hand centre panel and remove the two screws. Fit these screws and covers over on the right hand side.
15. Fit the centre hinge on the left hand side with the original screws, cover the screws with the original covers.
16. Using a thin blunt instrument, remove the hinge bush cap from the top left of the lower door and fit on the top right.

### **Note : You may require assistance to do this:**

17. Place the lower door onto the lower hinge pin.
18. Offer the door up to the centre hinge. Put the hinge pin through the centre hinge and ensure it locates into the door. Check that the hinge pin is positioned the right way up.



## Refit Top Door

19. Using a thin blunt instrument, remove the hinge bush cap from the top left of the door and refit on the top right.
20. Replace the spacing washers onto the centre hinge bracket.

### **Note : You may require assistance to do this:**

21. Place the top door hinge onto the top left of the door, slide the door onto the centre hinge pin. Support the door while screwing the top hinge into position. Ensure that the hinge bracket locates correctly.
22. If necessary, slacken off the screws on the centre hinge pin and adjust the doors so that they line up with the cabinet.
23. Adjust the front feet (see 'Levelling' SAFETY & INSTALLATION section).



**WARNING:** Failure to level the appliance correctly may result in misalignment of the cabinet and/or doors.

**Note : Let the appliance stand upright in it's final location for at least 15 minutes before plugging in and switching on the electricity supply.**

# Troubleshooting

## IS THE FRIDGE FREEZER WORKING AS YOU WANT?

Have you read through the instruction book ?

If you still have a problem, before calling our service organisation see if any of the tips below help.

### The fridge freezer will not work

1. Check plug is firmly positioned in the socket outlet and the power supply is switched on.
2. Check power supply with another appliance.
3. Check fuse/circuit breaker.
4. Check the door is closed properly.

### The fridge freezer is making a lot of noise

1. Check that the rear pipe work is clear of the wall, skirting board and other obstacles.
2. Check that all feet/wheels are firmly in contact with the floor and the fridge freezer is level.
3. See OPERATING SOUNDS next page.

### The temperature is too warm

1. Turn the control wheel to a higher number. See CONTROLS section.
2. If the fridge freezer is close to a heat source, move it to another location.
3. Check that there is enough ventilation around the fridge freezer.
4. Check that the door has been closed properly.

### The temperature is too cold

1. Turn the control wheel to a lower number. See CONTROLS section.
2. Room temperature is too cold. See INSTALLATION section "Location".

### The front of the cabinet feels warm

You may notice the cabinet front is sometimes warm, this is normal and part of the refrigerant circulating system designed to help prevent condensation on the door seal.

### The freezer door is difficult to open

A well sealed freezer door can be difficult to open. This is partly due to the difference in temperature between the room and internal freezer compartment. If you have just closed the freezer door, it may be particularly difficult to open again immediately. Wait 5 minutes for the internal and external pressure to equalise and try again.

### The door will not close

1. Check to see if the appliance has a build up of ice which is stopping the door closing. If this is the case refer to 'Defrosting' CLEANING & MAINTENANCE section and defrost the appliance.

### There is water beneath the salad bin and on the floor

1. Check defrost gutter drain hole is not covered or blocked, see 'Cleaning' in the CLEANING & MAINTENANCE section.
2. Check that nothing has come into contact with the interior back wall of the fridge.

### The interior light doesn't work

**WARNING:** Switch off the electricity supply and pull out the mains plug.

1. Check the bulb is screwed in correctly. If still not working see 'Changing the Light Bulb' in the CLEANING & MAINTENANCE section.

# Troubleshooting

## **Ice builds up rapidly inside the fridge**

1. Check that nothing is stopping the door from closing properly.
2. Check that foods and liquids are covered to avoid the build up of moisture inside.
3. If your kitchen becomes exceptionally warm, your fridge may not defrost regularly. Automatic defrosting will return to normal operation when the kitchen temperature cools.

## **Ice builds up rapidly inside the freezer**

1. Check that nothing is stopping the door from closing properly.
2. Check that food is sealed to avoid the build up of moisture inside.
3. See 'Defrosting' in the CLEANING & MAINTENANCE section for advice.

## **There has been a power failure**

**WARNING:** Do not open the freezer compartment door.

If power failure lasts longer than the maximum conservation time (see USEFUL ADVICE section), food should either be cooked and eaten within 24 hours or cooked and refrozen.

If there is still a problem contact Hotpoint Service (See KEY CONTACTS, back page, for contact details).

## **OPERATING SOUNDS OF A FRIDGE FREEZER**

These are the normal types of sound that your fridge freezer will make:

The fridge freezer motor (compressor) makes a buzzing or humming sound when it is running. This can be louder when it is first switched on. This sound will reduce over the first few months.

Gases flowing through the pipes can produce gurgling, bubbling, roaring or humming noises.

Expansion and contraction of parts inside the fridge freezer can produce a cracking noise as they rapidly change temperature.

## Hotpoint guarantee

**“Satisfaction guaranteed or your money back”**

We give you a unique ‘satisfaction guaranteed’ promise - **valid for 90 days** - after you have purchased your Hotpoint appliance. If there is a technical problem simply call Hotpoint Repair service or visit our web-site at [www.hotpointservice.co.uk](http://www.hotpointservice.co.uk) and where necessary, we will arrange for an engineer to call. If the technical problem is not resolved under this guarantee, **we will replace your machine or, if you prefer, give you your money back.**

All Hotpoint appliances carry a fully inclusive 12 month parts and labour guarantee as well as free replacement parts for the first 5 years (except microwaves, selected integrated appliances and cooker hoods, which have a one year guarantee) provided that they are fitted by a Hotpoint engineer.

### Guarantee terms and conditions

Your guarantee is only applicable in the United Kingdom or Republic of Ireland and is subject to the following provisions that your appliance:

- Has been installed and used correctly in accordance with this instruction booklet.
- Has been used solely for domestic purposes and is located on domestic premises (ie. not for commercial or trade use).
- Has been properly connected to a suitable electrical supply voltage as stated on the appliance rating plate.
- Has not been subject to misuse, accident, modified or repaired by anyone other than one of our own service engineers.



For pre purchase information on any other Hotpoint product call: 08701 50 60 70  
or visit: [www.hotpoint.co.uk](http://www.hotpoint.co.uk)



## Recycling & Disposal Information

As part of Hotpoint's continued commitment to helping the environment, Hotpoint reserves the right to use quality recycled components to keep down customer costs and minimise material wastage.

Please dispose of packaging and old appliances carefully. Old refrigerant and oil must be disposed of in a safe and environmentally friendly manner, using suitably qualified personnel.

To minimise risk of injury to children, remove the door, plug and cut mains cable off flush with the appliance. Dispose of these parts separately to ensure that the appliance can no longer be plugged into a mains socket, and the door cannot be locked shut.

## After Sales Service

**“No company is better positioned to offer an after sales service on a Hotpoint appliance than us - the manufacturer”**

As part of our commitment to you, all Hotpoint appliances have the added benefit of a fully inclusive parts and labour guarantee for the first 12 months. In addition to this you also have the advantage of **free replacement parts for the first 5 years** when fitted by a Hotpoint engineer. When the 12 months parts and labour guarantee expires we offer the following after sales service options:

### **Repair Service and Information Help Desk**

UK: 08709 066066

[www.hotpointservice.co.uk](http://www.hotpointservice.co.uk)

Republic of Ireland: 1850 302 200

Note: Our operators will require the Model number and the Serial number of your appliance (see USEFUL ADVICE SECTION for rating plate position).

Available 364 days a year with a fast, effective and value for money service. We have the largest white goods repair service in the UK with over 1100 of our own fully trained engineers. All repairs include a parts and labour guarantee for 12 months from the date of the repair. If you require any information or have any questions about your appliance, our operators are on hand with help and advice.

All this ensures that you will receive the best available after sales service possible.

### **Extended Warranties**

UK: 08709 088 088

[www.hotpointservice.co.uk](http://www.hotpointservice.co.uk)

Republic of Ireland: 1850 502 200

Whether you have just one or a number of Hotpoint appliances in your kitchen, we offer two service cover plans to give you total peace of mind.

- Repair Protection Plan - FREE service repairs for a single Hotpoint appliance during the period of cover.
- Kitchen Cover - FREE service repairs for all your Hotpoint appliances less than 8 years old.

### **Genuine Parts and Accessories**

UK: 08709 077 077

[www.hotpointservice.co.uk](http://www.hotpointservice.co.uk)

Republic of Ireland: (01) 842 6836

A wide range of genuine parts and accessories are available from our hotline or through our web site.

**Genuine parts and accessories, extended warranties and service repairs are all available on our web-site at:**

[www.hotpointservice.co.uk](http://www.hotpointservice.co.uk)

# Notes

# Notes



## Key Contacts

### After Sales Service

Over 1100 trained specialists, directly employed by us, ensure that you can have complete confidence in both the appliances and services we offer.

#### Repair Service and Information Help Desk

UK: 08709 066 066

Monday to Friday, 8am to 7.30pm

Saturday, 8.30am to 5.30pm

Sunday, 9.30am to 3.30pm

[www.hotpointservice.co.uk](http://www.hotpointservice.co.uk)

Republic of Ireland: 1850 302 200

Note: Our operators will require the following information:

Model number

Serial number

See **USEFUL ADVICE SECTION** for rating plate position

#### Extended Warranties

UK: 08709 088 088

Monday to Sunday, 8am to 8pm

[www.hotpointservice.co.uk](http://www.hotpointservice.co.uk)

Republic of Ireland: 1850 502 200

#### Genuine Parts and Accessories

UK: 08709 077 077

Monday to Friday, 8.30am to 5pm

Saturday, 8.30am to 12noon

[www.hotpointservice.co.uk](http://www.hotpointservice.co.uk)

Republic of Ireland: (01) 842 6836

[www.hotpoint.co.uk](http://www.hotpoint.co.uk)

**Indesit** Company UK Limited, Morley Way, Peterborough, PE2 9JB