



PROJECT	
ITEM #	
QUANTITY	DATE
APPROVAL	

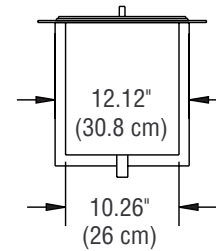
305

Ice Chest

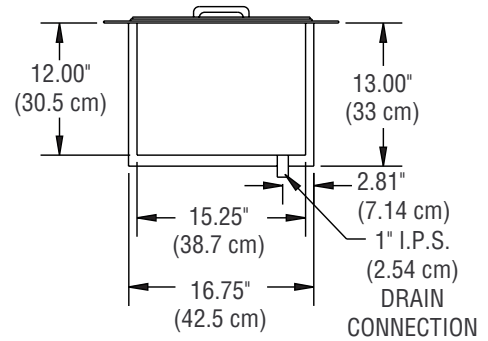
Top is 20-gauge stainless steel with .19" (.48 cm) raised edge on die-stamped 15.13" x 10.5" (38.4 x 26.7 cm) opening. Opening fitted with one-piece cover in 20-gauge stainless steel.

Ice compartment measures 14.75" x 10.25" x 12" (37.5 x 26.0 x 30.5 cm) deep, has liner of ABS plastic with coved corners and has 1" (2.54cm) diameter drain. Sides and bottom insulated with high-density closed-cell polyurethane. Bin holds 45 pounds of ice.

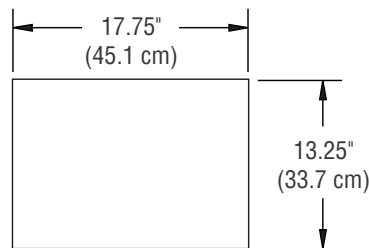
Exterior housing is 24-gauge galvanized steel.



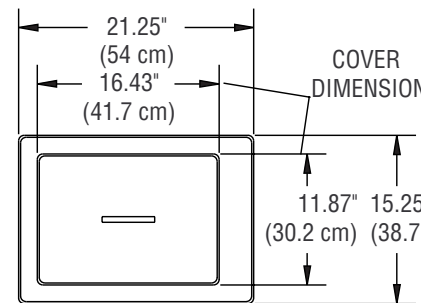
END VIEW



ELEVATION VIEW



CUTOUT DIMENSIONS



PLAN VIEW





PROJECT	
ITEM #	
QUANTITY	DATE
APPROVAL	

203

Ice Chest Drop-In

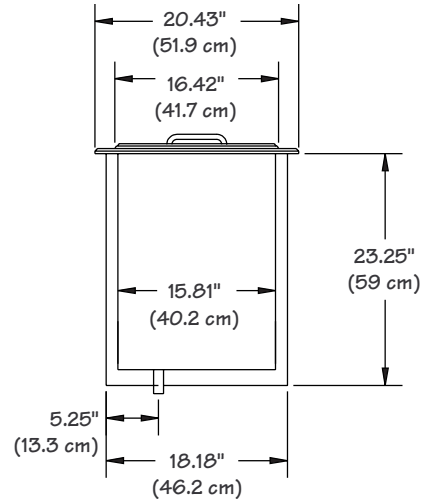
Top is 20-gauge stainless steel with .19" (.48 cm) raised edge on die-stamped 10.43" (26.5 cm) x 15.18" (38.6 cm) opening. Opening is fitted with one-piece lift-off cover in 20-gauge stainless steel.

Ice compartment liner is 22-gauge stainless steel, has covered corners and has a 1" (2.54 cm) diameter drain. Insulation is high-density closed-cell polyurethane. Ice capacity is 90 pounds.

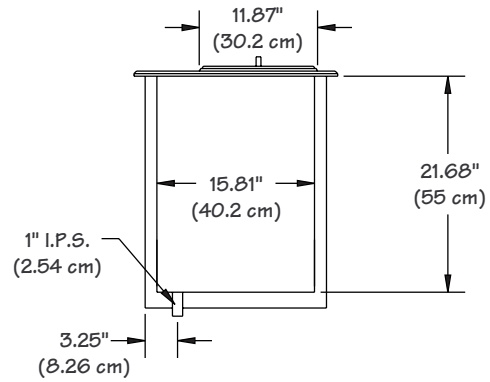
Exterior is 24-gauge galvanized steel.



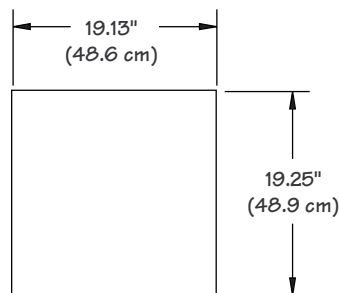
Model 203



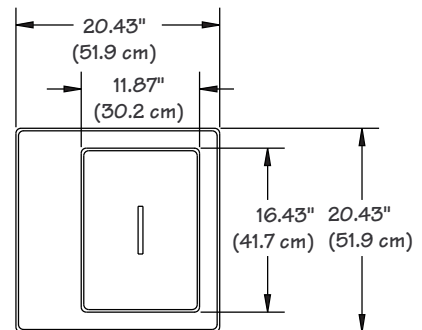
ELEVATION VIEW



SIDE VIEW



CUTOUT DIMENSIONS



PLAN VIEW

