

**ZANUSSI**

---

**Instructions  
for the use and care of  
ZA18-ZA23-ZA28  
ZA38-ZA47  
chest freezers**

---

# Contents

	<b>page</b>
<b>Installation</b>	
Electricity supply .....	“ 4
Electrical connection .....	“ 4
Positioning .....	“ 5
Before using .....	“ 5
<b>Operation</b>	
Starting-up and temperature adjustment .....	“ 6
Warning light .....	“ 7
Freezing of food .....	“ 7
Storage of food .....	“ 8
Thawing .....	“ 8
Defrosting the freezer .....	“ 8
<b>Maintenance</b> .....	“ 10
Replacing the interior lamp .....	“ 10
<b>Servicing</b> .....	“ 10

# Installation

## Warning

If you are discarding an old appliance that has a lock or catch on the door, please ensure that this is made unusable to prevent young children getting trapped inside.

## Electricity Supply

The appliance is for operation on a 220/240 V. 50 Hz supply, so be sure that your electricity supply voltage is within the range marked on the nameplate located inside the cabinet.

## Earthing

**WARNING: THIS APPLIANCE MUST BE EARTHED.** The manufacturer declines any liability should this safety measure not be observed.

If the plug that is fitted to your appliance is not suitable for your socket outlet, it must be cut off and the appropriate plug fitted. The cut off plug should be disposed of to prevent the hazard of electric shocks in case it should be plugged into a 13 Amp socket in another part of your home.

## Electrical connection

**IMPORTANT:** The wires in this mains lead are coloured in accordance with the following code:

GREEN AND YELLOW - EARTH  
BLUE - NEUTRAL  
BROWN - LIVE

If you fit your own plug, the colours of the wires in the mains lead of your appliance may not correspond with the markings identifying the terminals in your plug, this is what you have to do: Connect the green and yellow (earth) wire to the terminal in the plug which is marked with the letter "E" or the earth symbol  $\perp$ , or coloured green, or green and yellow.

Connect the blue (neutral) wire to the terminal in the plug which is marked with the letter "N" or coloured black.

Connect the brown (live) wire to the terminal which is marked with the letter "L" or coloured red.

The plug moulded on to the cord incorporates a fuse. For replacement use a 13 Amp BS 1362 fuse. Only ASTA approved fuses should be used.

The fuse cover/carrier must be replaced in the event of changing fuse.

The right fuse cover/carrier colour is the one shown by the coloured insert at the base of the plug or is the colour of the inscription at the base of the plug. The plug must not be used if the fuse cover/carrier is lost.

A replacement cover/carrier must be obtained from Zanussi Service Agents whose addresses are listed on the attached "Zanussi Service and Spares Nationwide".

**This appliance complies with E.E.C. directive No. 82/499 of 7.6.82 relative to radio interference suppression.**

Some models have the main terminal board of the type shown in fig.1.

To gain access to the terminals of the supply cable, remove the lid from the terminal board by releasing the two catches "A" and "B" Fig.1 with the aid of a small blade screwdriver.

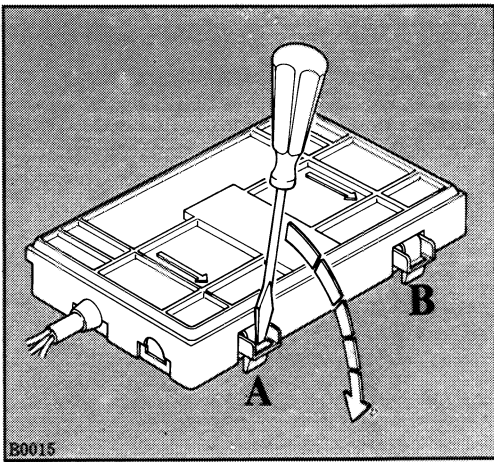


Fig. 1

## Positioning

Place the appliance away from direct sunlight and heat sources. Two buffers are fitted at the rear to ensure that air may circulate freely at the back of the cabinet to permit adequate motor and capacitor cooling.

Do not obstruct the gap between the top of the cabinet and the wall.

Take care that the appliance is firmly set up and accurately levelled.

If the appliance is fitted with castors, make sure the floor surface is such as to allow the deep freezer to be moved and then reinstalled easily.

## Before using

Remove all securing tapes. Wash inside the appliance with lukewarm water and a little bicarbonate of soda (one teaspoonful to one quart of water). Do not use soap or detergent as the smell will linger. Dry thoroughly.

# Operation

This chest freezer **\*\*\*** is suitable for long term storage of commercially frozen food marked by the symbol **\*\*\*** (i.e. for 3 months, unless otherwise stated by the manufacturer), and for freezing fresh food. Do not exceed the storage times shown by the manufacturer on the commercially frozen food packets.

## Starting-up and temperature adjustment (fig.2)

Fig. 2 shows the controls available on the control panel to start the appliance and to adjust the temperature. To start the freezer proceed as follows:

Insert the plug into the wall socket and turn the thermostat knob "A" over the stop position "0", the pilot light "C" will be lit to tell you that the appliance is operating. To store frozen and deep frozen foods properly, the temperature inside the appliance must be as cold or colder than  $-18^{\circ}\text{C}$ .

When you first start the freezer, we suggest you turn the adjusting knob "A" to the required setting.

A medium setting is generally the most suitable. When the controls are set on this position the freezer temperature is regulated automatically by the thermostat to ensure proper storage of the food inside. However, it may be necessary, when the appliance does not operate under normal room conditions, such as poor ventilation, high ambient temperature and frequent opening of the lid, to regulate the freezer accordingly. Turn the adjusting knob "A" towards the higher numbers to obtain a lower temperature or towards the lower numbers to obtain warmer temperatures. To set the appliance for quick freeze operation, depress switch "B" (NORMAL/SUPER) to the "S" position; this position is indicated by the pilot light inside the switch.

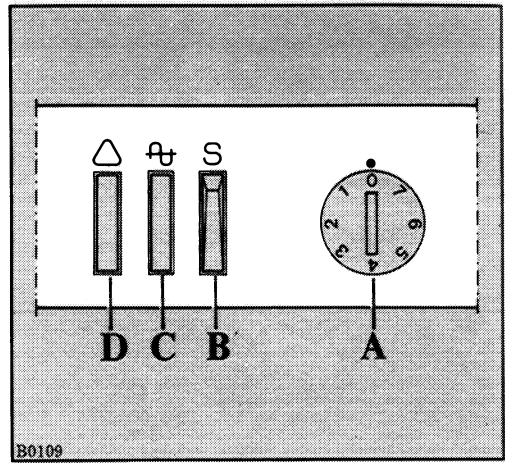


Fig. 2

- A - Thermostat knob for temperature regulation
- B - NORMAL-SUPER (quick freeze) switch
- C - Operating pilot light
- D - Warning light



Fig. A

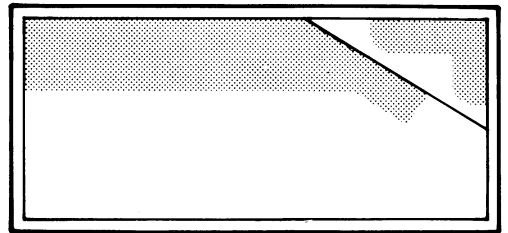


Fig. B

## Warning light

The warning light (D-Fig.2) signals (when it lights up) that the temperature inside the freezer has climbed to a level where the safe storage of food is no longer ensured.

Obviously, when the appliance is started or when foods are first put into it for deep freezing, this light will remain on until the temperature for the safe storage of the food has been reached.

## Freezing of food

To quick-freeze fresh food, when the appliance has not been working previously, it is necessary to switch on the freezer and using the "quick freeze" switch, set it on SUPER (the pilot lamp is lit) for at least 3 hours prior to putting any food to be frozen inside it.

If however, the appliance is already operating, set it on quick-freeze at least 24 hours before putting into the freezer fresh food to be frozen.

When the food has been put inside, the freezing process may be considered finished 24 hours after it was started; you may then return the freezer to the normal operation.

Quick-freeze switch on "NORMAL" position (pilot lamp switched off).

Follow these rules to obtain perfectly frozen foods:

Only freeze in top quality, fresh and thoroughly cleaned foodstuffs since freezing does not improve quality, it only maintains it.

Prepare food for freezing in small portions so that the food is frozen uniformly and quickly right through. This will also enable you to prepare complete portions and thus avoid thawing a large piece and then using only part of it.

Remember that once thawed frozen food deteriorates rapidly, even if it is refrozen again.

Also remember that lean foods store better and longer than fat foodstuffs and that salt reduces the storage periods.

Wrap up the food in aluminium foil or polythene and make sure that the packages are airtight.

This will preserve the colour, taste and nutritional values of the food.

During the freezing-in operation, do not add fresh food to be frozen and do not open the freezer lid.

Never place foods to be frozen near those which have already been frozen thus avoiding a rise in temperature of the latter.

Do not put carbonated liquids (fizzy drinks, etc.) in the freezer as they may burst.

Never introduce warm liquids or foodstuffs and do not fill containers with lid up to the brim.

It is advisable to show on the single food packet the freezing-in date to enable you to keep tab of the storage time.

If the frozen food is accidentally thawed, such as in the case of a prolonged power failure, the food will have to be consumed within a very short time.

If the power failure is of short duration and the freezer is fairly loaded, the frozen food will not be affected.

The fresh food to be frozen must be placed directly in touch with the cold inner walls or at any rate as close as possible to these walls (as shown by the shaded areas in Fig. A and B i.e.:

Fig.A for models ZA18-ZA23-ZA28-ZA38.  
Fig.B for model ZA47.

Do not freeze fresh food in a quantity greater than:

kg. 10 for model ZA18

kg. 14 for model ZA23

kg. 17 for model ZA28

kg. 22 for model ZA38

kg. 25 for model ZA47

in 24 hours.

## Storage of food

Gross storage volume of the freezer

ZA18 180 litres

ZA23 225 litres

ZA28 275 litres

ZA38 375 litres

ZA47 465 litres

Net storage volume of the freezer

ZA18 173 litres

ZA23 213 litres

ZA28 262 litres

ZA38 357 litres


ZA47 443 litres

When the appliance is used for the first time or after an idle period, it is necessary to let it run for at least two hours on the quick-freeze setting ("B" switch on position "S") prior to introducing frozen food.

Conversely, if the freezer is already operating this precaution will not be necessary. In the first case, after the freezer has been working for at least 2 hours on quick-freeze position and after introducing the frozen food, return the freezer to the normal storage position ("B" switch on position NORMAL (pilot lamp switched off)).

To obtain the best performance from this appliance, we strongly recommend that you make sure that the commercially frozen foodstuffs were adequately stored by the retailer and, furthermore be sure that these frozen foodstuffs are transferred from the foodstore to the consumer in the shortest possible time (a temperature increase of the frozen food could shorten its storage period). It is also advisable not to exceed the storage period indicated by the producer of the food. Finally, do not open the lid frequently or leave it open longer than is absolutely necessary.

## Attention

Water ices, if consumed immediately after removal from the freezer, can possibly cause the skin to be freeze burnt. The food should not be stored above the "safe storage" line (watch the maximum load limit line ).

If there is a power failure during the storage of frozen foods, do not open the lid during the whole time of the failure. If the freezer is fully loaded, the frozen food will not be affected if the power cut is of short; otherwise it is recommended to consume the food within a very short time.

## Thawing

Deep frozen and frozen food, prior to being used can be thawed in the refrigerator or at room temperature, depending on the time available for this operation. Small pieces may even be cooked still frozen, directly from the freezer: in this case, cooking will take longer.

## Defrosting the freezer

The inner walls of the freezer become gradually covered with a layer of frost which should be removed by means of the special plastic scraper supplied as accessory whenever it builds up to a thickness exceeding 1/4".

During this operation it is not necessary to cut off the power or to remove the food store in the freezer. When, on the other hand, a thick layer of ice has formed on the inner walls of the freezer, it is necessary to completely defrost the freezer due to the fact that this layer acts as a thermic insulation which prevents the transmission of cold to the frozen food contained in the freezer.

We suggest you do this defrosting only after all frozen food contained in the freezer has been used up.

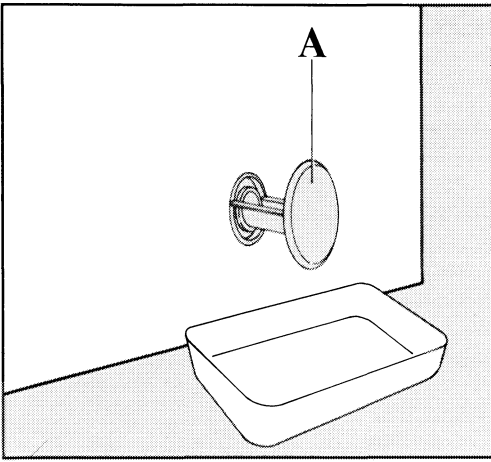


Fig.3

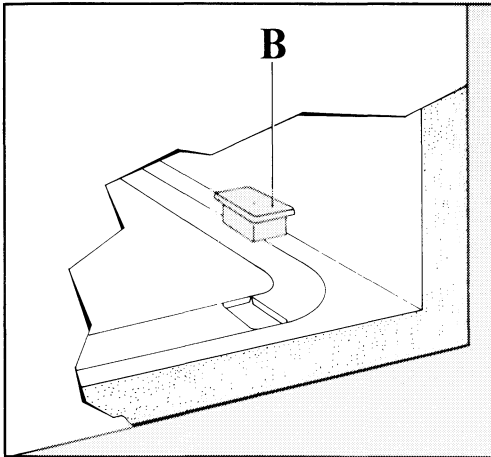


Fig. 4

To completely defrost the freezer proceed as follows:  
 Remove any food stored in the freezer and wrap it in several layers of newspaper and put it in a cool place. Remove the plug from the wall socket. Remove the foodstuffs and wrap in sheets of newspaper and put them in the evaporator of a refrigerator or in a cardboard box in a cold place. Pull out the drain plug/conveyor on the bottom front (A-Fig.3). Place a basin under the drain to collect defrost water. Remove the plug inside the freezer cabinet (B-Fig.4). Leave the freezer lid open. When defrosting has been completed, and the cabinet has been cleaned and dried, refit the inside plug and the outside drain plug/conveyor. Reconnect the appliance to the wall socket before you put the food inside again, and then arrange the packages in contact with the cabinet walls. After defrosting make sure that the quick-freeze switch is on. The lights will be lit. The warning light will be switched off when the temperature required for the safe storage of the foods is reached and after approximately 24 hours return the freezer setting to NORMAL.

**Attention**

A temperature increase of the frozen food packs during defrosting may shorten the storage life of the same.

**Caution**

Never use sharp metal tools to scrape off frost from the evaporator as you could damage it beyond repair.



# Maintenance

Prior to undertaking any maintenance operation, be sure to unplug the appliance from the wall socket as a safety precaution.

Clean out the interior periodically with lukewarm water and bicarbonate of soda, the cabinet exterior with a Silicon wax spray, the condenser and the motor compressor with a brush or a vacuum cleaner. During periods when the appliance is not in use, take the following precautions:

- unplug the freezer from the power supply;
- remove all foodstuffs from the freezer;
- clean the interior and all accessories;
- leave the lid ajar to facilitate the circulation of air in the interior of the cabinet so as to prevent unpleasant odours from lingering in the appliance.

## Replacing the interior lamp

(Only for models incorporating this feature)

The lamp fitted on the appliance has a power of 10W. In case of replacement make sure it is of the same power.

# Servicing

Should service be required for this appliance, contact your local Service Agent but before requesting service the following simple checks may save you inconvenience and expense:

- Check that the pilot light is on;
- Check that the plug is firmly in the wall socket;

- Check that there is an electricity supply to the socket by plugging in another appliance;

- Set switch "B" quick-freeze to the "S" position;

- If the motor still does not run, contact your Service Agent.



## ZANUSSI STANDARD GUARANTEE CONDITIONS

This guarantee is in addition to your statutory and other legal rights which will not be excluded or in any way diminished by the return of the guarantee card.

We, Zanussi Limited, undertake that if, within twelve months (24 months for TV sets) of the date of the purchase, this ZANUSSI appliance or any part thereof is proved to be defective by reason only of faulty workmanship or materials, we will, at our option, repair or replace the same **FREE OF ANY CHARGE** for labour, materials or carriage on condition that:

—The appliance has been correctly installed and used only on the electricity supply stated on the rating plate.

—The appliance has been used for normal domestic purposes only, and in accordance with the manufacturer's operating and maintenance instructions.

—The appliance has not been serviced, maintained, repaired, taken apart or tampered with by any person not authorised by us.

—The appliance is still in the possession of the original purchaser.

All service work under this guarantee must be undertaken by a Zanussi Network Service Centre (or the Zanussi Authorised TV Service Dealer).

Any appliance or defective part replaced shall become our property.

### Exclusions

This guarantee does not cover:

—Damage or calls resulting from transportation, improper use or neglect, the replacement of any light bulbs or removable parts of glass or plastic.

—Costs incurred for calls to put right machines improperly installed or calls to machines outside the UK and the Republic of Ireland.

—Appliances found to be in use within a commercial environment, plus those which are the subject of rental agreements.

—Television receivers - routine adjustment, or poor reception resulting from a source outside of the receiver.



## ZANUSSI 5 YEAR COVER CONDITIONS

For a once-only payment you can extend your Standard Guarantee to 5 years. All the conditions and exclusions of the Standard Guarantee apply.

### Notes

1. Products supplied as "seconds", refurbished, damaged or shop-soiled are not eligible for Zanussi 5 year cover.

2. The issue of a cover does NOT by virtue of our having done so, nullify the exclusions.

3. The Engineer will need to check the details of your Cover card and may make a charge for his services if it is not presented to him at the time of his call.

4. The date of purchase, or the date of initial payment (deposit) of the appliance will be deemed the date of commencement of cover.

5. Covers issued are not refundable or transferable.

# ZANUSSI

The appliance of science