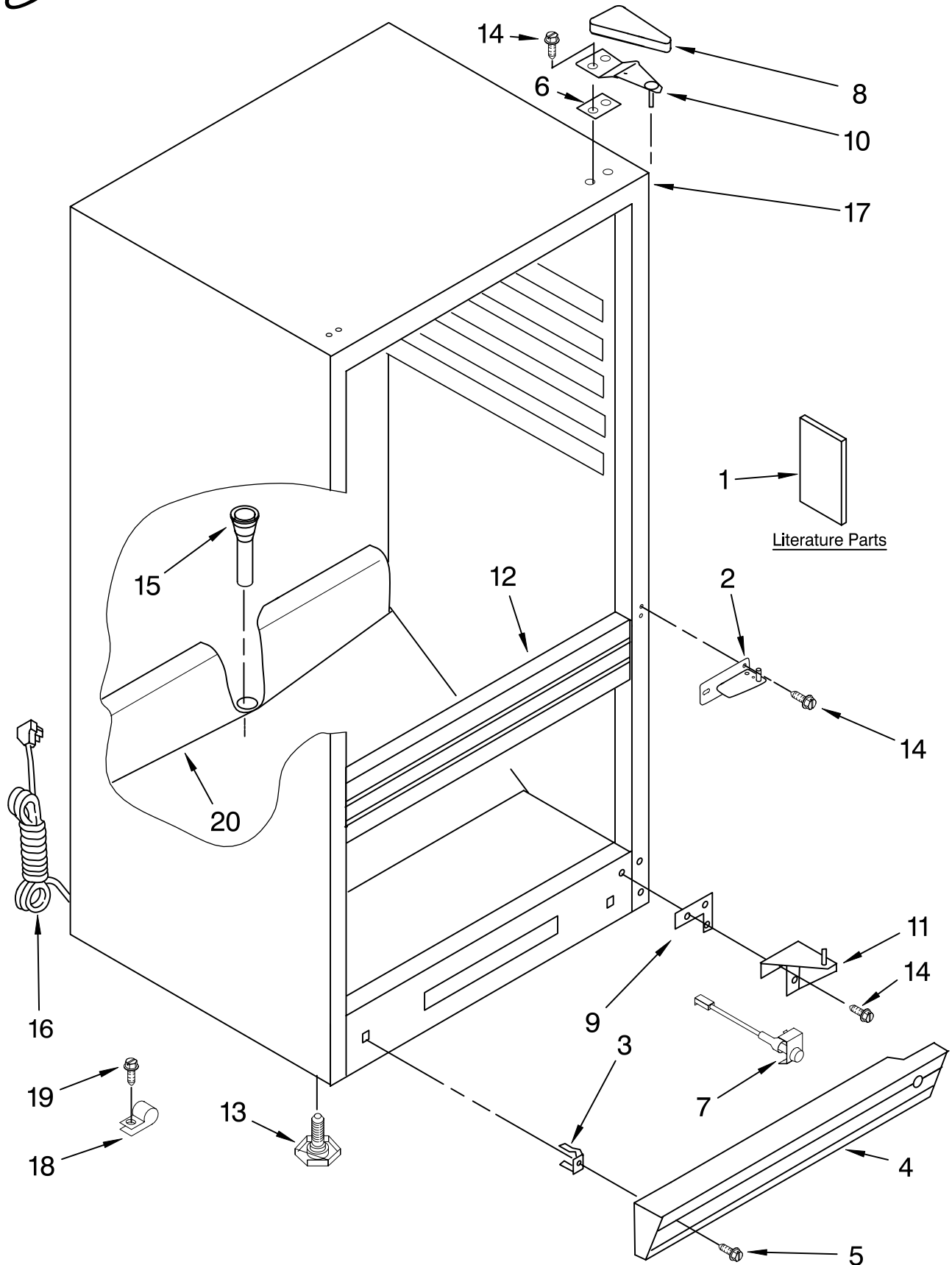




# CABINET PARTS

For Model: EV209NBTQ00  
(White)

VERTICAL FREEZER



FOR ORDERING INFORMATION REFER TO PARTS PRICE LIST

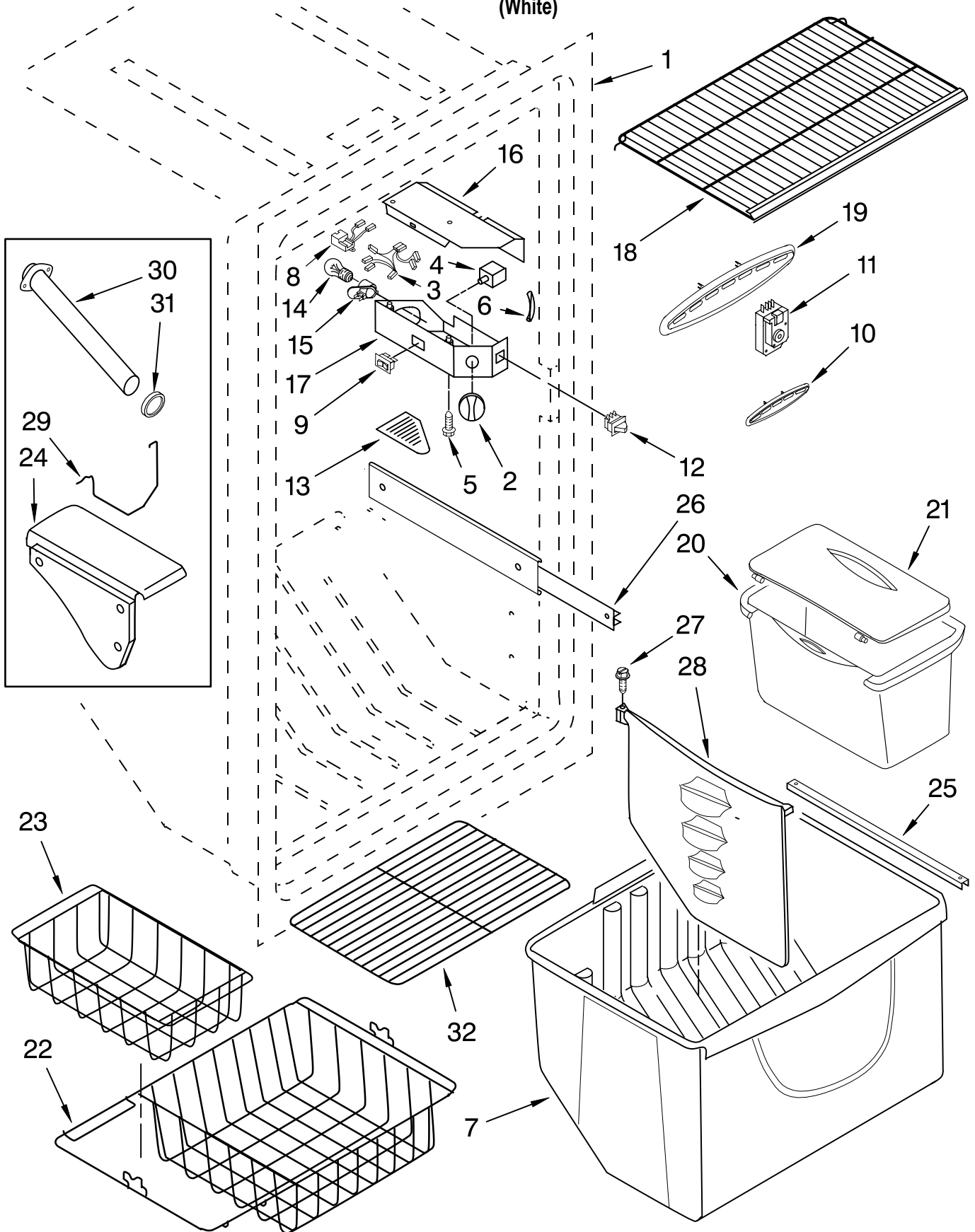
# CABINET PARTS

For Model: EV209NBTQ00  
(White)

<b>Illus.</b>	<b>Part</b>	
<b>No.</b>	<b>No.</b>	<b>DESCRIPTION</b>
1		Literature Parts
	W10164586	Owners Manual
	W10164585	Energy Label/Tag
	W10183363	Instructions, Field Installable Ice Maker
2	W10164537	Hinge, Center
3	4356803	Clip, Grille
4	8210310	Grille
5	4390511	Screw
6	4390489	Shim, Top
7	4390905	Power Light Assembly
8	4357279	Cover, Hinge
9	4390489	Shim, Bottom
10	8210222	Hinge, Top
11	8210235	Hinge, Bottom
12	W10189183	Rail, Mullion
13	W10177675	Leg, Leveler(2)
14	4356830	Screw
15	W10164544	Grommet, Drain
16	W10164631	Cord, Power
17		Cabinet (Not A Serviceable Part)
18	4357159	Clamp, Tube
19	4357243	Screw
20	W10164550	Shield, Drain Trough

# LINER PARTS

For Model: EV209NBTQ00  
(White)



FOR ORDERING INFORMATION REFER TO PARTS PRICE LIST

# LINER PARTS

For Model: EV209NBTQ00  
(White)

<b>Illus. No.</b>	<b>Part No.</b>	<b>DESCRIPTION</b>
1		Liner (Not A Serviceable Part)
2	8210348	Knob, Control
3	W10164510	Harness, Wire (Control Box)
4	8210344	Thermostat
5	4390511	Screw
6	8210246	Tubing, Thermostat
7	W10164543	Basket, Large
8	W10164512	Alarm, Door Ajar
9	W10164530	Switch, Alarm
10	W10164560	Baffle, Short (2)
11	4357124	Defrost Timer
12	W10164501	Switch, Light
13	8210349	Lens, Light
14	4390465	Bulb, Light
15	8210350	Socket, Light
16	8210351	Shield, Light
17	W10164503	Box, Control
18	W10164533	Shelf, Wire (3)
19	W10164558	Baffle, Long (1)
20	W10164621	Bin, Ice
21	W10164622	Cover, Ice Bin
22	W10164565	Basket (Non-I/M Unit)
23	W10164583	Basket, Divider (Non-Icemaker)
24	W10164566	Cover (I/M Units)
25	W10164584	Support, Basket
26	W10164570	Slide, Basket
27	4356491	Screw
28	W10183189	Divider, Basket
29	W10164580	Arm, Shut-Off (I/M Model)
30	W10164581	Tube, Fill (I/M Model)
31	W10164582	Gasket, Fill Tube
32	W10164564	Shelf, Half (I/M Units)

## **OPTIONAL PARTS NOT INCLUDED**

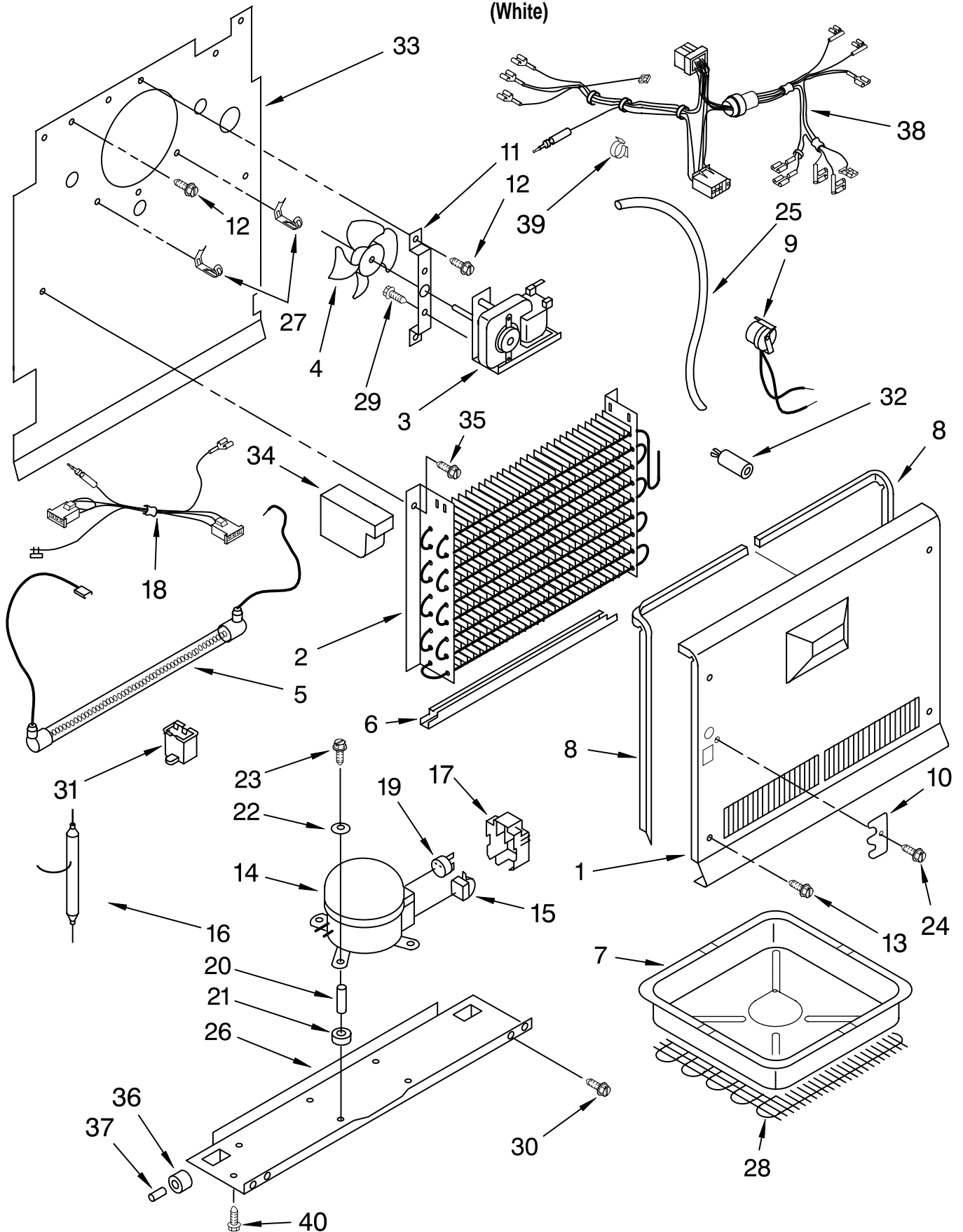
### **ICE MAKER FIELD INSTALLABLE**

2155469A Ice Maker  
(ECKM94)

# UNIT PARTS

For Model: EV209NBTQ00

(White)



FOR ORDERING INFORMATION REFER TO PARTS PRICE LIST

# UNIT PARTS

For Model: EV209NBTQ00  
(White)

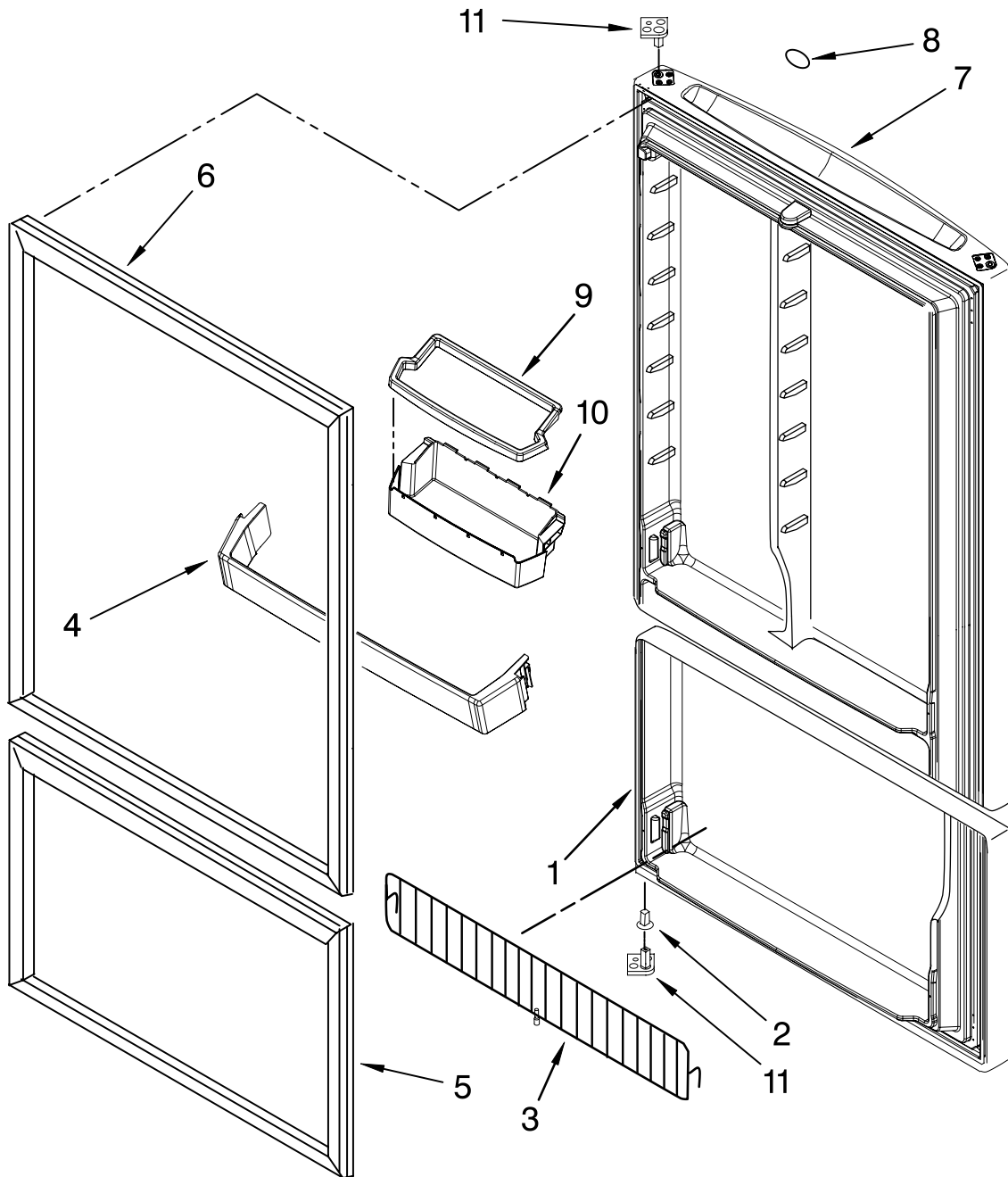
<b>Illus. No.</b>	<b>Part No.</b>	<b>DESCRIPTION</b>
1	W10164539	Cover, Evaporator
2	4357244	Evaporator
3	4390914	Motor, Fan
4	4390912	Blade, Fan
5	W10164625	Heater, Defrost
6	W10164624	Shield, Heater
7	W10164623	Pan, Drain
8		Gasket, Cover Evaporator
	4390663	Right
	4390664	Left
9	8210253	Bi-Metal Defrost
10	W10164568	Cap, Icemaker Water Tube
11	4357129	Bracket, Motor
12	4356943	Screw, Motor
13	4357110	Screw
14	4356775	Compressor (Includes Items 15,16,17,19 & 21)
15	4356738	Relay
16	4357299	Drier
17	4356777	Cover
18	W10164626	Harness, Fan
19	4356776	Overload
20	4356846	Sleeve
21	4356335	Compressor, Grommet
22	4356847	Washer
23	8210220	Bolt, Compressor
24	4390510	Screw
25	4357263	Exchanger, Heat
26	8210279	Pan, Compressor
27	4356952	Clip, Thermostat
28	8210248	Condenser
29	4356970	Screw
30	4357277	Screw
31	8210224	Capacitor
32	4357020	Grommet
33	4357123	Plate, Evaporator Mount
34	8210261	Block, Foam
35	4357110	Screw
36	4390754	Roller, Rear
37	4390755	Axle
38	W10164629	Harness, Unit
39	W10164630	Clip, Harness
40	W10164633	Screw

## REFRIGERANT CHARGE

6.2 oz.  
(R-134A)

# DOOR PARTS

For Model: EV209NBTQ00  
(White)



Illus. No.	Part No.	DESCRIPTION
1	W10164616	Door Assembly (Includes Interior Door Liner)
2	W10207408	Bushing, Hinge
3	W10164620	Rail, Door (Wire)

Illus. No.	Part No.	DESCRIPTION
4	8210404	Rail, Door (1)
5	W10164618	Gasket, Lower Door
6	W10164617	Gasket, Door (Upper)
7	W10164614	Door Assy. (Top) (Includes Interior Door Liner)

Illus. No.	Part No.	DESCRIPTION
8	2255121	Nameplate
9	W10164622	Cover, Door Bin (4)
10	W10164621	Bin, Door (4)
11	8210400	Stop, Door (2)

FOR ORDERING INFORMATION REFER TO PARTS PRICE LIST

# OPTIONAL PARTS (NOT INCLUDED)

For Model: EV209NBTQ00

(White)

<b>Illus.</b>	<b>Part</b>	
<b>No.</b>	<b>No.</b>	<b>DESCRIPTION</b>

---

Parts Not Illustrated and  
Optional Parts (Not Included)

---

## Customer Touch-Up Material

\*350930 Enamel, White  
(13 Oz. Spray Can)  
72017 Brush Touch-Up Kit  
(White)

**\*Important:** The spray paint is  
not to be used where the paint  
may make contact with the door  
gaskets.

## Refinishing Material

799344 Enamel, White  
(1 Qt. Uncut)

## Miscellaneous

212643 Sealer, Gum  
(4 Feet)  
479502 Tape, Vinyl  
(3/4 x 108")  
978941 Insulation  
Fiberglass  
(63-1/2" x 35-1/2  
x 2-5/8")  
505587 Sealer Mastic  
(1 Qt.)  
503695 Cork Sealer  
(1/4 Pound)