



LARDER FRIDGE - MODEL RLA80, RLM80, RLS80

INSTRUCTIONS FOR INSTALLATION & USE

GETTING STARTED: To ensure that your fridge runs reliably and efficiently follow these steps.

STEP 1

Choose a location for your fridge, away from any heat sources and allow adequate ventilation - 100mm (4 inches) gap above.



STEP 2

Move the fridge into position, using the sides of the cabinet. Take care to avoid damaging the refrigerant circuit pipe work on the rear.



STEP 3

To prevent the fridge tilting forwards it must be held in place with the stability bracket supplied.

NB. This is the responsibility of the customer.



STEP 4

Level the fridge by adjusting the front feet. This will stop rocking or vibration and keep the door aligned.

NB. The spanner is for illustration only and is not supplied with the fridge.



STEP 5

After the front feet have been adjusted and the fridge is level, fit the left and right hand bottom hinge covers supplied. Align with the cover plate slots and push into position.



STEP 6

Before plugging in and switching on, leave the fridge in its final location for at least 15 minutes to allow it to settle.



STEP 7

Plug in and switch on. Allow the fridge to cool before placing food inside. All food in the fridge should be covered.



STEP 8

Your fridge is now working. If after 24 hours your fridge is not operating as you want, refer to the TROUBLESHOOTING section.



Read the rest of these instructions to get the best from your appliance and remember to fill in your guarantee registration.

Keep this Book in a safe place for quick reference.

SAFETY &
INSTALLATION

CONTROLS

USEFUL ADVICE

CLEANING &
MAINTENANCE

TROUBLESHOOTING

SERVICE &
GUARANTEE

For Your Safety

For your safety, read the following advice:

The fridge cooling system contains a small amount of gas which is environmentally friendly but flammable. To avoid any risk :-

- Install the fridge following the installation instructions and ensure that ventilation openings are kept clear of obstruction.
- Take care when installing or moving the fridge to avoid damaging the pipes on the rear.
- If you suspect a leak, do not switch on the fridge, but open the windows and doors to ventilate the room.
- Do not use any mechanical or electrical devices inside the fridge, for instance for manual defrosting, they may cause damage.
- Only use this fridge for storing domestic foodstuffs.

When installing your fridge :-

- The stability bracket must be installed securely, in accordance to the instructions, before using the fridge. This is the responsibility of the customer.
- Ensure that the mains cable is not trapped underneath or behind the fridge when you install or move it.
- Do not stack any other appliance on top of this fridge as they may damage the fridge or become unstable.

When using your fridge :-

- Do not sit or stand on top of your fridge.
- Do not store poisonous, flammable or dangerous substances in your fridge.
- Do not use aerosol sprays for defrosting or cleaning your fridge.

If you sell the fridge, pass on this booklet to the new owner.

Installation

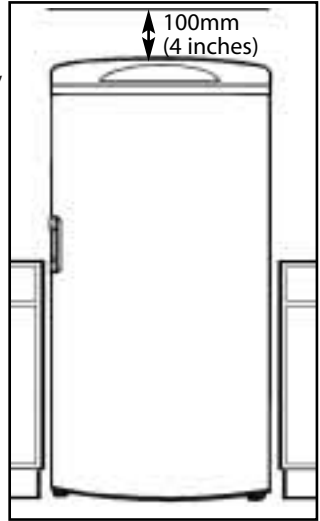
Location & Air Circulation

Locate your fridge away from sources of heat e.g. cookers, radiators, direct sunlight as extreme temperature will affect its performance.

Allow a minimum 100mm (4 inches) between the top of the fridge and the ceiling or the underside of a wall cupboard.

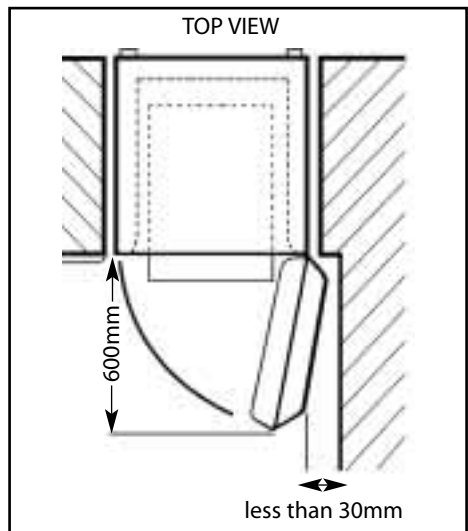
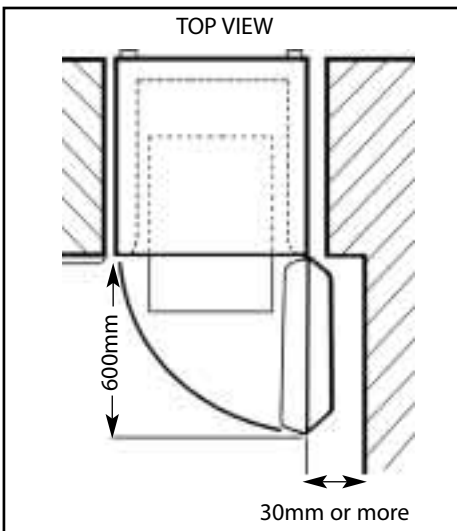
Providing you follow the recommended ventilation requirements you will :-

- Prolong the life of the fridge.
- Minimise the risk of condensation on the outside of the fridge.
- Minimise the running costs.
- Minimise operating sounds caused by vibration.



Minimum space required to open door

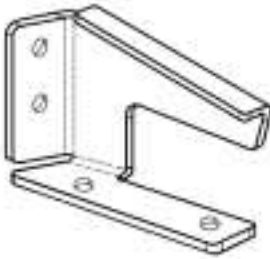
The fridge needs a space of 600mm (24 inches) in front to allow the door to open. When positioning the fridge next to a unit, a gap of 30mm (1¼ inch) can be left at the hinge side of the door to allow the easy removal of furniture. If preferred the fridge can be positioned so that a gap is not left. This will restrict how far the door can be opened but the furniture can still be removed (see diagrams below). The door hinge side can be changed to make it easier to open (see 'Door Reversal' in the CLEANING & MAINTENANCE section).



Installation

Stability bracket:

WARNING: To prevent the fridge from tilting forwards, it must be held in place with the stability bracket supplied. This is the responsibility of the customer.

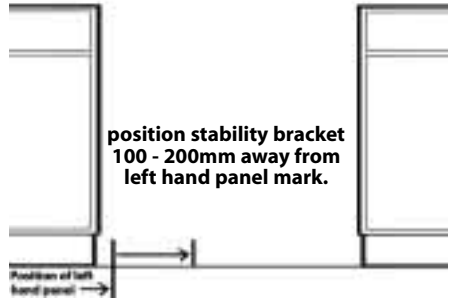


Fixed to the floor or wall at the rear of the fridge, the stability bracket hooks onto the compressor mounting plate holding the fridge secure.

The stability bracket must be installed securely in accordance with these instructions BEFORE using the fridge.

Note: The fridge is heavy so care must be taken when moving it.

1. Position the fridge in its chosen location.
2. Looking from the front of the fridge, mark the position of the left hand panel.
3. Move the fridge far enough away to get clear access to the back wall.
4. In order to clear components on the compressor mounting plate, the stability bracket must be positioned on the floor between 100 - 200mm to the right of the left hand panel mark.
5. Mark and drill the fixing holes and insert suitable fixings to hold the bracket firm.
6. Carefully re-position the fridge. Make sure that the compressor mounting plate locates into the stability bracket.



Installation

Levelling:

Level the fridge when it is in its final location by adjusting the front feet, until firm contact is made with the floor. This will stop rocking or vibration and keep the door aligned which helps the fridge run reliably and efficiently.

Note: Before plugging in and switching on, leave the fridge standing in its final location for at least 15 minutes to allow it to settle.

Hinge Covers:

After the front feet have been adjusted and the fridge is level fit the left and right hand bottom hinge covers supplied.

To fit:

Align the bottom hinge cover onto the cover plate slots.



Push until the bottom hinge cover clicks into place.



Installation

Electrical Supply

WARNING: This appliance must be earthed.

Fuses

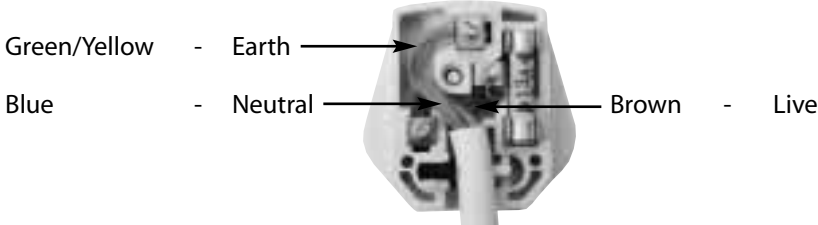
Your appliance comes fitted with a plug and a 13A fuse. If you need to replace the fuse, only use those rated at 13A and ASTA approved to BS1362.

Changing the Plug

Cut off and dispose of the supplied plug if it does not fit your socket.

WARNING: To avoid a shock hazard do not insert the discarded plug into a socket anywhere else.

IMPORTANT WIRES IN THE MAINS LEAD ARE COLOURED IN ACCORDANCE WITH THE FOLLOWING CODE :



If you change the plug, the colour of wires in the mains lead may not correspond with the colour of the markings identifying terminals in the plug. You should therefore wire it as shown above.

Changing the Mains Lead

This appliance is fitted with a special mains lead. If you need to replace the mains lead due to damage one can be bought from Hotpoint Service (see KEY CONTACTS, back page). It is strongly advised that this work is carried out by a qualified electrician.



CE Marking certifies that this appliance conforms to the following EEC directives : Low Voltage Equipment - 72/23/EEC & 93/68 EEC
Electromagnetic Compatibility 89/336/EEC, 92/31/EEC & 93/68/EEC

Controls

Controlling the Temperature of the Fridge Compartment

The control wheel on the front of the worktop adjusts the internal fridge compartment temperature. The internal temperature should be 5°C or colder although some sections such as the salad bins will be slightly warmer.

The setting of the control wheel will depend on the location of the fridge, the room temperature and how often the door is opened. The normal set point (marked by a 3 and N on the dial) is usually suitable. If you need to adjust the temperature turn the control wheel:

Clockwise (higher number) - **Colder**

Anti-clockwise (lower number) - **Warmer**



You can check the temperature of the fridge compartment by using a Fridge Freezer Thermometer available from Hotpoint Genuine Parts and Accessories Mail Order Hotline (see KEY CONTACTS back page).

WARNING: Do not use a mercury filled thermometer, as breakage would cause a health hazard.

Your fridge must NOT be placed in a room where the temperature goes below 6°C or above 38°C for prolonged periods, as the internal fridge temperature will not be maintained.

Useful Advice



Note:

The Rating Plate, which lists the appliance Model Number and Serial Number can be found near the bottom of the interior wall.

STORAGE ZONES

Zone	Type	Food Storage
A	Cool	Dairy products, Cheese, butter, margarine, Low fat spreads, cooking fats / lards Preserves - Jam, curd, marmalade, spread, salad dressing or sauces.
B	Colder	General food storage
C	Coldest	Meat fish & poultry Pre-cooked / chilled food
D	Salad Bins / Vegetable Flap	Vegetables, fruit and salad items (Not recommended for the storage of bananas or onions).

Useful Advice

Making the best use of your Fridge

To ensure that your fridge operates as efficiently as possible :

- Follow food packaging “best before/use by” instructions or your suppliers advice on a suitable maximum storage time.
- Keep foods covered to retain moisture and prevent flavour/odour transference. Plastic bags, aluminium foil, plastic stretch wrap and containers with lids are ideal.
- Avoid opening the doors unnecessarily or for longer than needed.
- Allow hot or warm food to cool down in covered containers before placing in fridge, as placing hot food inside reduces efficiency.

Storing Food in a Fridge

- Pack and store cooked and fresh food separately.
- Wrap raw or defrosting meat and poultry in polythene or foil and store below cooked foods and dairy products to avoid contamination of dripping food juices.
- Wrap cheese in greaseproof paper and place in an airtight container or polythene bag.
Bring to room temperature before consuming.
- Empty left over canned food into a covered storage containers before placing in the fridge.
- Position food to allow cold air to circulate freely, ensuring nothing comes into contact with the back of the fridge compartment, or covers the defrost gutter drain hole below this.
- Use the different storage zones inside your fridge compartment to store a wide variety of food items.



(Models RLM80 and RLS80 only):

Microban® is a unique antibacterial technology which is built into interior components of your fridge during manufacture. **Microban**® protects against growth of potentially harmful and odour causing bacteria on the interior fridge surfaces, thereby keeping your fridge fresher and more hygienically clean during use.

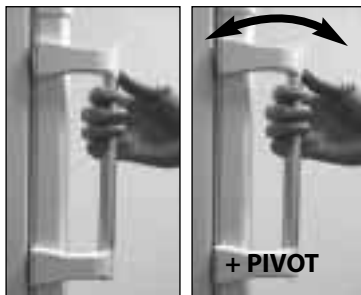
Microban® will not wash out or wear out and will provide continuous protection against bacteria for the life of your fridge. **Microban**® technology has been proven safe, durable and effective over many years of use in personal care and household consumer products. In addition, Hotpoint operate a rigorous antibacterial testing programme through approved independent testing laboratories.

Note : You should continue to clean your fridge as recommended (see CLEANING & MAINTENANCE section). Microban® provides an extra level of hygiene protection in your fridge in between cleanings.

Useful Advice

Sealbreaker Grab Handle

- The sealbreaker grab handle is designed to move and act upon the door seal to ease door opening for the customer.



Commodity and Bottle Racks

Commodity racks can be repositioned in the door to suit your storage requirements.

The lidded commodity rack is recommended for the storage of dairy items, such as butter, margarine and cheese.

To remove, lift rack vertically to release from fixing supports. To replace, align grooves on either side of the rack above fixing supports and push down until secure.

In order to get the best results from the bottle retainer it is advised that it be positioned centrally on the bottle rack.

Egg Rack

The egg rack can be used in conjunction with any commodity rack and is easily removed for cleaning.

Note: Wipe, don't wash eggs.

Advice on Adjusting Shelves

Make the most of the interior storage space by repositioning shelves to suit the various heights of individual items you wish to store.



To remove, ensure that the door is open fully. Slide the shelf forward and tilt from position.



Split glass shelf

The split shelf can be used as a standard shelf but also as two half shelves.

The front half can be repositioned above or below to enable storage of larger items.



Note : Only the front half of the shelf can be repositioned, the back half must remain in its original position.

Useful Advice

Salad Bins

For the storage of fruit, vegetables and salad items.

When storing vegetables, remove unusable leaves and soil and leave lettuce, cabbage and cauliflower on the stem.

It is advisable to clean the salad bin regularly, it can be removed by sliding it out from position.

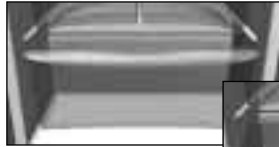
Note : Care must be taken to ensure that the salad bin is pushed in fully before shutting the fridge door.

Vegetable Bin

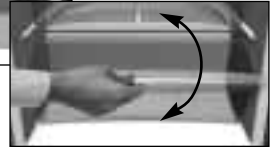
This is an additional area, recommended for the storage of larger vegetable items (such as cauliflower, cucumber and other items which do not fit into the salad bins).

When storing vegetables, remove unusable leaves and soil. Leave lettuce, cabbage and cauliflower on the stem.

To open hold the front handle and pull to tilt the bin forwards to access foodstuffs.



To close, keep hold of the handle and allow the bin to go back into position.



It is advisable to clean the vegetable bin regularly, it can be removed by sliding it out from position.

Note : Care must be taken to ensure that the vegetable bin is closed before shutting the fridge door.

Wine Rack

The wine rack is suitable for cans, wine bottles and 2 litre bottles. The maximum load recommended is three 2 litre bottles and two wine bottles.

Position the wine rack in the second runner down from the top of the fridge when storing longer length bottles. This will ensure the bottles clear the door furniture and allow the door to close properly.

Note: DO NOT remove a fully loaded wine rack, just remove bottles as necessary.



To remove:

Ensure that the fridge door is fully open.

Slide the wine rack forward and tilt from position.

Defrosting

Defrosting

No manual defrosting required

The fridge compartment will defrost automatically. During defrost periods water droplets form on the interior back wall of your Larder Fridge and refreeze afterwards.

WARNING: Ensure that stored food does not come into contact with the interior back wall of your Larder Fridge. Also ensure the defrost gutter drain hole is kept clear, see 'Cleaning' in the CLEANING & MAINTENANCE section.

Cleaning

Cleaning

WARNING: Switch off electrical supply and pull out mains plug before cleaning.

Interior

Note : *We recommend you use a straw to keep the defrost gutter drain hole clear of any blockage. DO NOT use sharp metal tools which could cause damage beyond repair.*

WARNING: Do not use abrasive powder, household cleaner, bleach or wax polish to clean the interior, they will leave a smell in the fridge.

1. Remove stored food, wrap or cover it and place into insulated containers to keep cool whilst cleaning.
2. Remove salad bins, racks and shelves from the fridge compartment. Wash in warm water and washing up liquid using a soft cloth, dry thoroughly.
DO NOT use any cleaning agents on the wine rack, just wipe with a soft cloth.
3. Wipe the interior and fittings with a clean cloth wrung out in a solution of either one teaspoon of bicarbonate of soda to one pint of water or Milton™ sterilising fluid, diluted according to the manufacturer's instructions.
4. Dry the interior thoroughly with a clean cloth before replacing fittings and food.

Note : *It is important to ensure that cleaned shelves, racks and bins are thoroughly dried before refitting to the fridge compartment.*

Exterior

WARNING: Do not use abrasive powder, household cleaner or bleach they can damage the exterior of your fridge.

1. Use a clean soft cloth wrung out in warm water and washing up liquid to wipe the exterior surface, dry thoroughly.
2. Use a soft brush or vacuum cleaner to remove dust from underneath the fridge and from the compressor and condenser situated at the back of the fridge

WARNING: Do not damage the pipework.

Door Seal

Use warm water and a clean soft cloth to wipe along and in between the creases of the door seal, dry thoroughly. Take care not to damage the seal and avoid using sharp objects.

WARNING: Do not use detergent, it will damage the seal.

Maintenance

Going Away

If you are going away and don't want to use your fridge, switch off the electricity supply and pull out the mains plug. Remove food and follow the cleaning instructions on the previous page.

Note : Leave the door ajar to prevent an accumulation of odours.

Changing the Light Bulb

WARNING: Switch off electricity supply and pull out the mains plug

Obtain a replacement SES 15 watt bulb from the Hotpoint Genuine Parts and Accessories Mail Order Hotline (see KEY CONTACTS back page) and fit as follows :

1. Remove any shelves from directly below the interior light, to make access easier.
2. Squeeze the side of the lamp guard lightly to unclip. Remove and retain.
3. Remove old bulb and fit new one.
4. Refit lamp guard.
5. Plug in and switch on electrical supply.

Door Reversal

Door Reversal

You will need a cross head screwdriver, a flat blade screwdriver and a 5mm spanner to carry out this procedure.

Our Service Department can arrange for an Engineer to do the conversion for you but a charge will be made.

WARNING: Switch off electrical supply and pull out the mains plug.

Remove all door furniture and all loose items/fitings from inside the fridge.

If you have previously set up and used the fridge and since decided to reverse the doors, you must remove stored food, wrap or cover it and place into insulated containers to keep cool whilst carrying out this operation.

1. Open the door as wide as possible.
Note : You may require assistance to do this:
2. Support the door and using a screwdriver, remove the screw securing the top hinge.
3. Lower the top hinge and carefully tilt the door to remove the hinge from the cabinet. Lift the door off the bottom hinge.
4. Remove the top hinge from the door.



5. Remove the spacing washers from the bottom hinge pin.

6. Use a flat blade screwdriver or a 5mm spanner, to unscrew and remove the bottom hinge pin.



7. Unscrew the fixing screw to remove the right hand hinge cover plate. Then remove the door stop washer.



8. Replace the right hand cover plate with its original screw.



9. Take the plastic cap from the left hand cover plate and use it to fill the hole on the right hand cover plate.



10. Unscrew the fixing screw to remove the left hand hinge cover plate.

11. Firstly put the door stop washer in position on the left hand hinge bracket and then screw in the hinge pin.



12. Replace the left hand cover plate with its original screw.



13. Replace the spacing washers onto the hinge pin.

Door Reversal

14. With the door furniture removed carefully lie the door onto its interior lining.

We recommend that you lie the door onto a suitable protective material (ie. the original packaging).



15. Remove the seal stop on the top left of the door: Remove the fixing screw, then using a thin blunt instrument, lever the seal stop off the door. Repeat to remove the seal stop on the bottom left.



16. Use a screwdriver to remove the door stop from the bottom right of the door and refit on the bottom left.



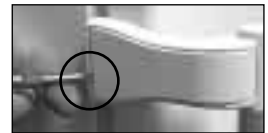
17. Refit the seal stops, one top right the other bottom right. Push into position and secure with fixing screw.

Door Handle Reversal:

Note: This MUST be completed with the door OFF the product.

18. Remove the hole plugs from the right hand side of the door.
19. Unclip the handle snap-clip cover using a screwdriver and rotate to reveal the handle fixing screw.

20. Unscrew the handle fixing screws and carefully remove the handle from the door.



WARNING: Take care not to dislodge the internal mechanism when removing the handle from the door.

21. Turn the handle vertically, top to bottom and place against the right hand side, position sealbreaker blade into the seal pocket.
22. Secure the handle in place with the original fixing screws, ensuring free movement of mechanism.

23. Rotate and snap-clip handle covers back in original position.

24. Use the hole plugs removed from the right hand side to fill the holes on the left.



Note : You may require assistance to do this:

25. Place the top hinge onto the door, slide the door onto the bottom hinge pin and support the door whilst screwing the top hinge bracket into position. Ensure that the top hinge bracket is positioned correctly.



26. Adjust the front feet (see 'Levelling' SAFETY & INSTALLATION section).
27. Fit the bottom hinge covers (see 'Hinge Covers' in the SAFETY & INSTALLATION section).

Note : Let the appliance stand upright in it's final location for at least 15 minutes before plugging in and switching on the electricity supply.

Troubleshooting

IS THE FRIDGE WORKING AS YOU WANT?

Have you read through the instruction book?

If you still have a problem, before calling our service organisation see if any of the tips below help.

The fridge will not work

1. Check plug is firmly positioned in the socket outlet and the power supply is switched on.
2. Check power supply with another appliance.
3. Check fuse/circuit breaker.
4. Check the door is closed properly.

The fridge is making a lot of noise

1. Check that the rear pipe work is clear of the wall, skirting board and other obstacles.
2. Check that all feet/wheels are firmly in contact with the floor and the fridge is level.
3. See OPERATING SOUNDS below.

The temperature is too warm

1. Turn the control wheel to a higher number. See CONTROLS section.
2. If the fridge is close to a heat source, move it to another location.
3. Check that there is enough ventilation around the fridge.
4. Check that the door has been closed properly.

The temperature is too cold

1. Turn the control wheel to a lower number. See CONTROLS section.

There is water beneath the salad bin and on the floor

1. Check defrost gutter drain hole is not covered or blocked, see 'Cleaning' in the CLEANING & MAINTENANCE section.
2. Check that nothing has come into contact with the interior back wall of the fridge.

The interior light doesn't work

WARNING: Switch off electricity supply and pull out the mains plug.

1. Check bulb is screwed in correctly. If still not working then see 'Changing the Light Bulb' in the CLEANING & MAINTENANCE section.

Ice builds up rapidly inside the fridge

1. Check that nothing is stopping the door from closing properly.
2. Check that foods and liquids are covered to avoid the build up of moisture inside.
3. If your kitchen becomes exceptionally warm your fridge may not defrost regularly. Automatic defrosting will return to normal operation when the kitchen temperature cools.

If there is still a problem contact Hotpoint Service (See KEY CONTACTS, back page, for contact details).

OPERATING SOUNDS OF A FRIDGE

These are the normal types of sound that your fridge will make:

The fridge motor (compressor) makes a buzzing or humming sound when it is running. This can be louder when it is first switched on. This sound will reduce over the first few months.

Gases flowing through the pipes can produce gurgling, bubbling, roaring or humming noises.

The temperature control can make a clicking noise when it turns the motor on and off.

Expansion and contraction of parts inside the fridge can produce a cracking noise as they rapidly change temperature.



Hotpoint guarantee

“Satisfaction guaranteed or your money back”

We give you a unique ‘satisfaction guaranteed’ promise - **valid for 90 days** - after you have purchased your Hotpoint appliance. If there is a technical problem simply call Hotpoint Repair service or visit our web-site at www.theservicecentre.co.uk and where necessary, we will arrange for an engineer to call. If the technical problem is not resolved under this guarantee, **we will replace your machine or, if you prefer, give you your money back.**

All Hotpoint appliances carry a fully inclusive 12 month parts and labour guarantee as well as free replacement parts for the first 5 years (except microwaves, selected integrated appliances and cooker hoods, which have a one year guarantee) provided that they are fitted by a Hotpoint engineer.

Guarantee terms and conditions

Your guarantee is only applicable in the United Kingdom or Republic of Ireland and is subject to the following provisions that your appliance:

- Has been installed and used correctly in accordance with this instruction booklet.
- Has been used solely for domestic purposes and is located on domestic premises (ie. not for commercial or trade use).
- Has been properly connected to a suitable electrical supply voltage as stated on the appliance rating plate.
- Has not been subject to misuse, accident, modified or repaired by anyone other than a Hotpoint service engineers.



For pre purchase information on any other Hotpoint product call: 08701 50 60 70
or visit: www.hotpoint.co.uk



Recycling & Disposal Information

As part of Hotpoint’s continued commitment to helping the environment, Hotpoint reserves the right to use quality recycled components to keep down customer costs and minimise material wastage.

Please dispose of packaging and old appliances carefully. Old refrigerant and oil must be disposed of in a safe and environmentally friendly manner, using suitably qualified personnel.

To minimise risk of injury to children, remove the door, plug and cut mains cable off flush with the appliance. Dispose of these parts separately to ensure that the appliance can no longer be plugged into a mains socket, and the door cannot be locked shut.



After Sales Service

“No company is better positioned to offer an after sales service on a Hotpoint appliance than us - the manufacturer”

As part of our commitment to you, all Hotpoint appliances have the added benefit of a fully inclusive parts and labour guarantee for the first 12 months. In addition to this you also have the advantage of **free replacement parts for the first 5 years** when fitted by a Hotpoint engineer. When the 12 months parts and labour guarantee expires we offer the following after sales service options:

Repair Service and Information Help Desk

UK: 08709 066066

www.theservicecentre.co.uk

Republic of Ireland: 1850 302 200

Note: Our operators will require the Model number and the Serial number of your appliance (see USEFUL ADVICE SECTION for rating plate position).

Available 364 days a year with a fast, effective and value for money service. We have the largest white goods repair service in the UK with over 1200 of our own fully trained engineers. All repairs include a parts and labour guarantee for 12 months from the date of the repair. If you require any information or have any questions about your appliance, our operators are on hand with help and advice.

All this ensures that you will receive the best available after sales service possible.

Extended Warranties

UK: 08709 088 088

www.theservicecentre.co.uk

Republic of Ireland: 1850 502 200

Whether you have just one or a number of Hotpoint appliances in your kitchen, we offer two service cover plans to give you total peace of mind.

- Repair Protection Plan - FREE service repairs for a single Hotpoint appliance during the period of cover.
- Kitchen Cover - FREE service repairs for all your Hotpoint appliances less than 8 years old.

Genuine Parts and Accessories

UK: 08709 077 077

www.theservicecentre.co.uk

Republic of Ireland: (01) 842 6836

A wide range of genuine parts and accessories are available from our hotline or through our web site.

Genuine parts and accessories, extended warranties and service repairs are all available on our web-site at:



www.theservicecentre.co.uk



Key Contacts

After Sales Service

Over 1200 trained specialists, directly employed by us, ensure that you can have complete confidence in both the appliances and services we offer.



Repair Service and Information Desk

UK: 08709 066 066

(Open 8 to 8 Mon - Fri, 8 to 6 Sat, 10 to 4 Sun & Bank Holidays)

www.theservicecentre.co.uk

Republic of Ireland: 1850 302 200

Note: Our operators will require the following information:

Model number:

Serial number:

See USEFUL ADVICE SECTION for rating plate position

Extended Warranties

UK: 08709 088 088

(Open 8 to 8 Mon - Sun)

www.theservicecentre.co.uk

Republic of Ireland: 1850 502 200

Genuine Parts and Accessories

UK: 08709 077 077

(Open 8-30 to 5-30 Mon - Fri & 9 to 12 Sat)

www.theservicecentre.co.uk

Republic of Ireland: (01) 842 6836

General Domestic Appliances Limited, Morley Way, Peterborough, PE2 9JB.