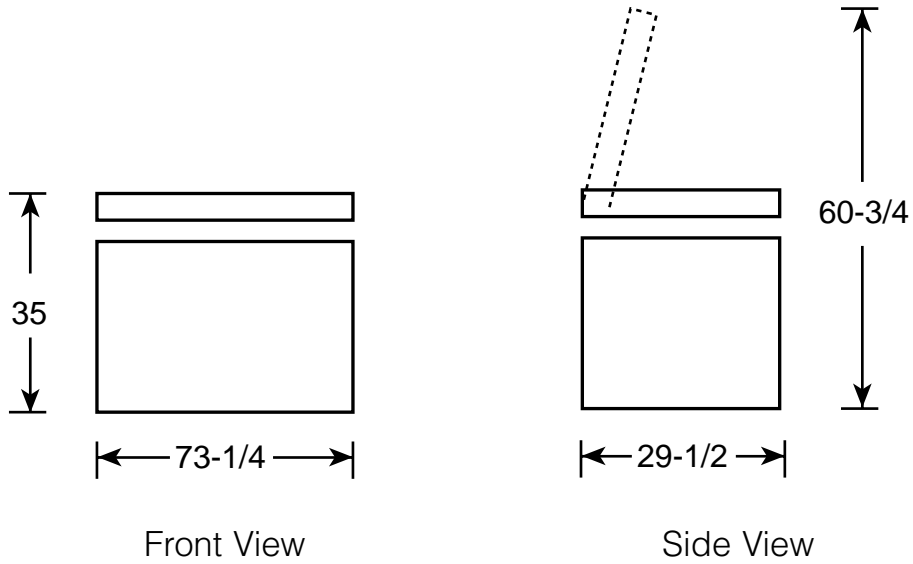




GE Appliances

FCM25DM—GE Chest Freezer

Dimensions (in inches)

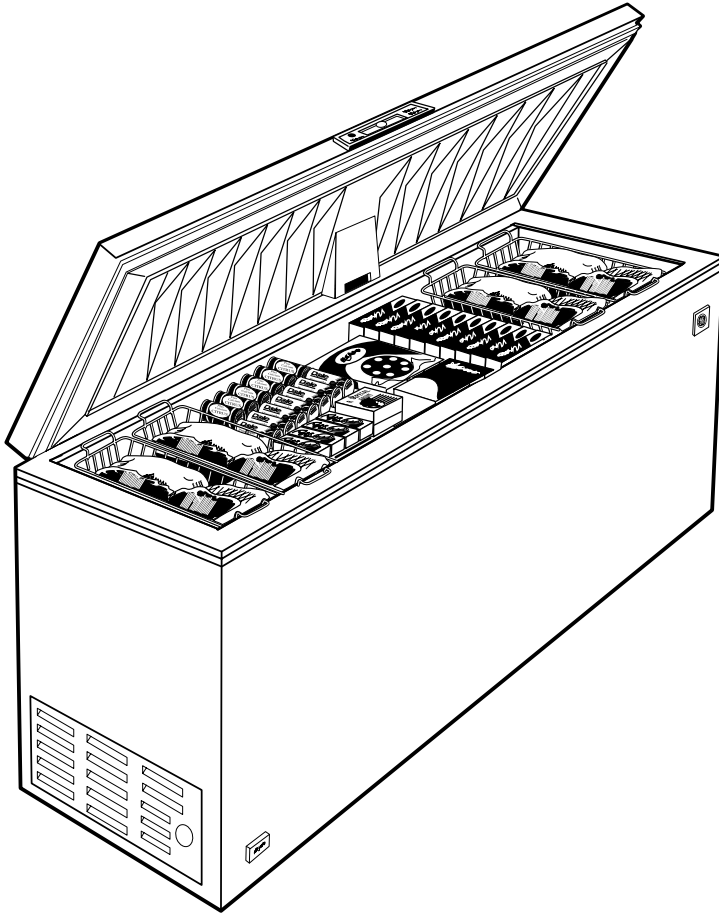


Air Clearances	
Each side (in.)	3
Back (in.)	3



GE Appliances

FCM25DM—GE Chest Freezer



Features and Benefits

- 24.9 cu. ft. Capacity
- Manual Defrost
- 4 Lift-Out and Sliding Bulk Storage Baskets
- Adjustable Temperature Control
- Defrost Water Drain
- Interior Light
- Safety Lock
- Limited Food Loss Warranty
- Wrap-Around Condenser and Evaporator
- Model FCM25DMWH—White