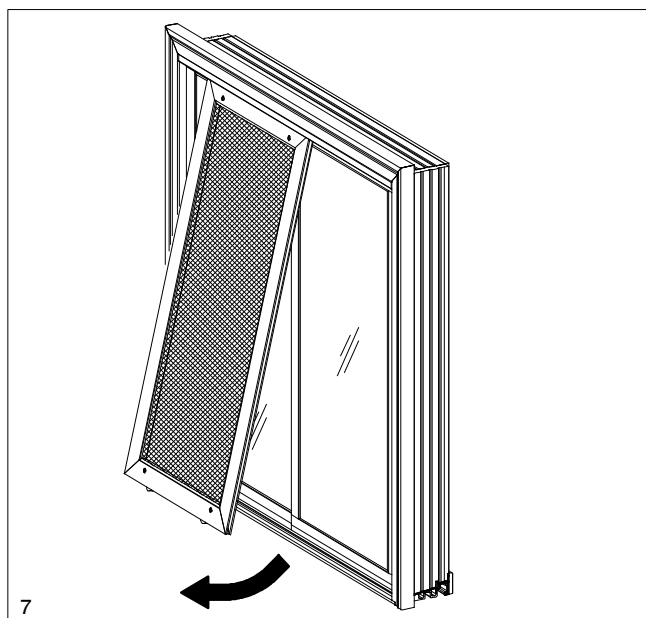
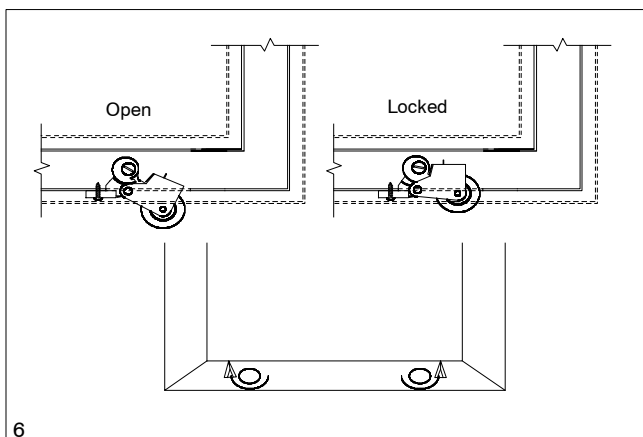


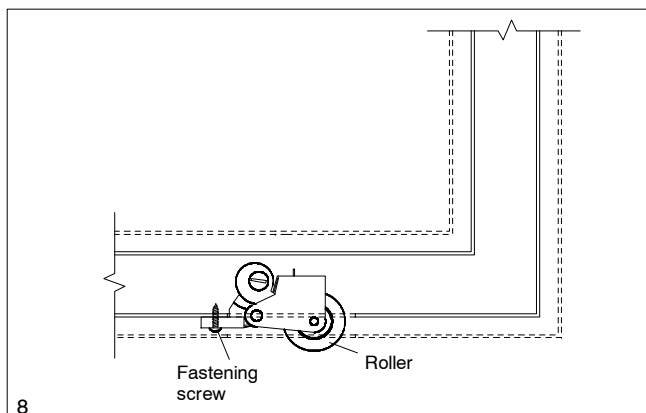
## TRIMLINE PATIO DOOR SCREEN REMOVAL

11. Press corner of screen frame downward and turn adjustment screw approximately 1/2 turn in the direction indicated in illustration 6. Repeat procedure to opposite bottom corner of screen frame.
12. Lift screen upward and free rollers from bottom track. See illustration 7.



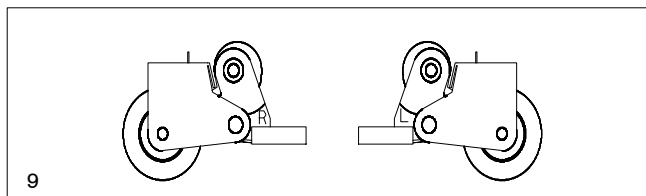
## TRIMLINE PATIO DOOR ROLLER REPLACEMENT

1. Remove screw securing roller to frame. See illustration 8. Roller will slide out of slot.
2. Replace roller secure with screw.



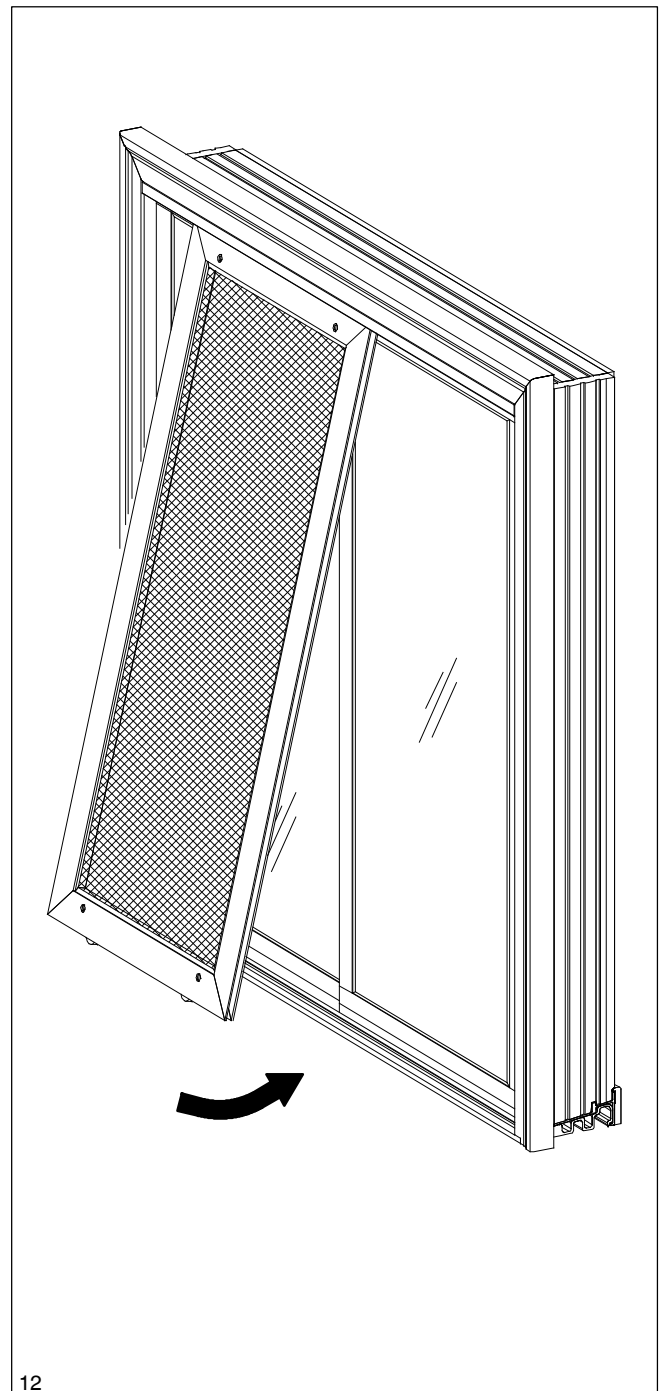
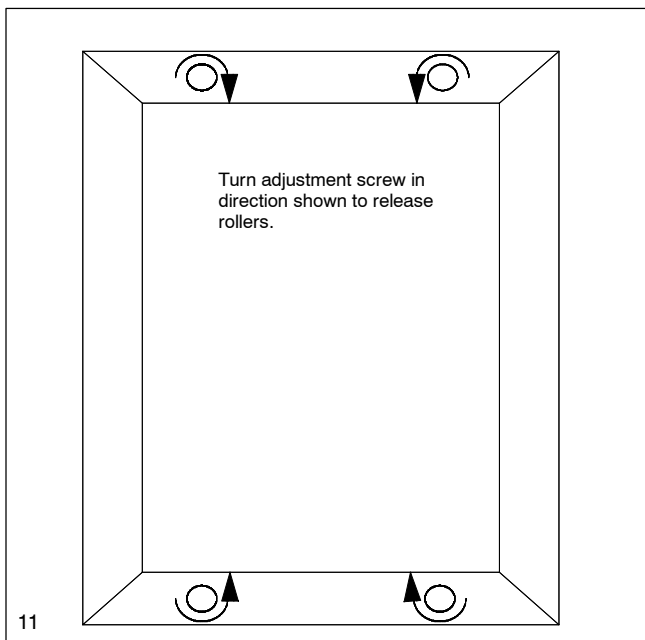
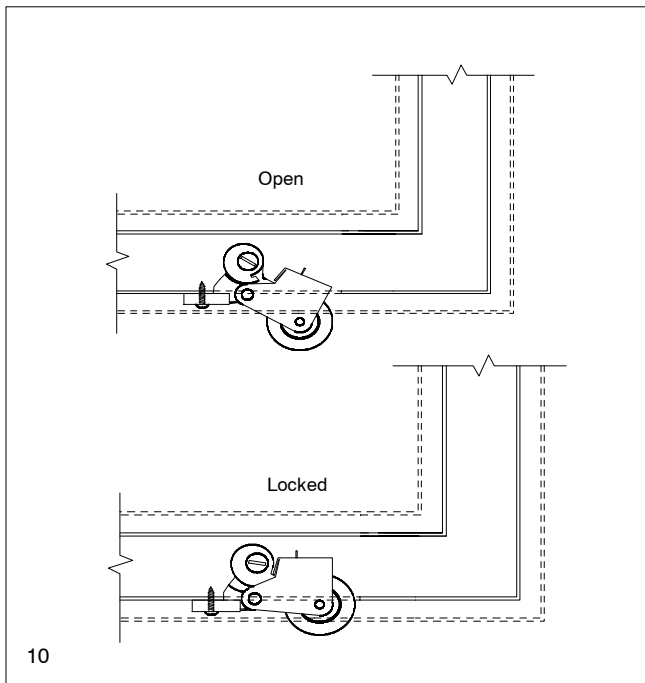
*NOTE: These rollers are marked right and left and must be installed as viewed from interior. Rollers have an identification stamped on them. See illustration 9.*

3. Reinstall screen door and make any necessary adjustments following instructions found on the next page.



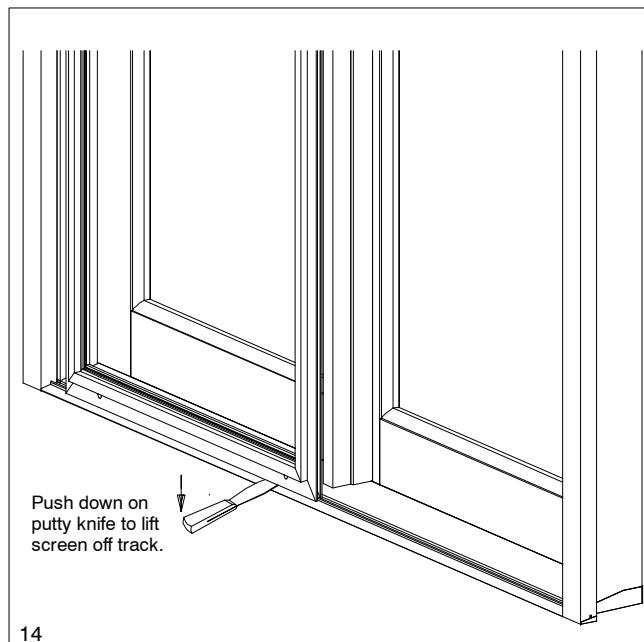
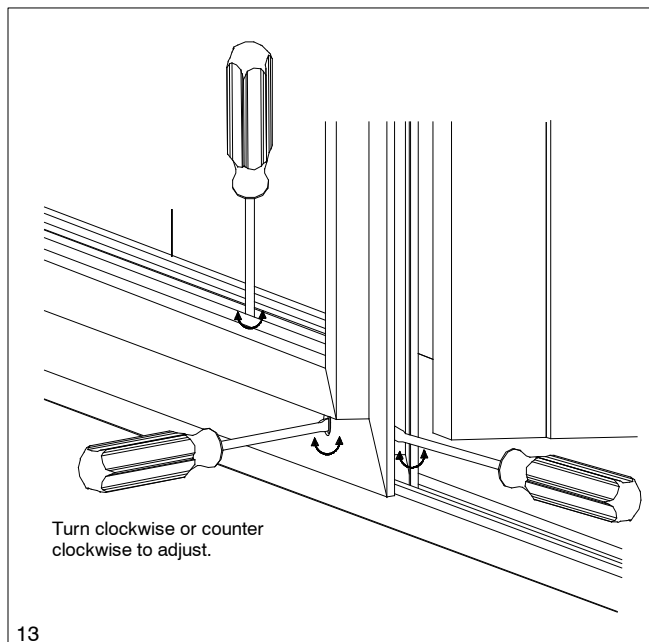
## REINSTALLATION AND ADJUSTMENT OF TRIMLINE PATIO DOOR SCREENS

4. Before screen is installed, ensure each of the rollers is in the locked position. Simply depress each roller and lock into position by turning adjustment screw as shown in illustration 10.
5. Position top of screen door in track channel. Lift door and set on sill track so rollers ride on top of track. See illustration 12.
6. Follow these steps after screen is installed to achieve a proper fit. Release each roller at top by turning adjustment screw in direction shown (less than 1/4 turn is needed). Repeat step for bottom rollers, but continue to turn adjustment screw approximately 1/2 turn or less. See illustration 11.



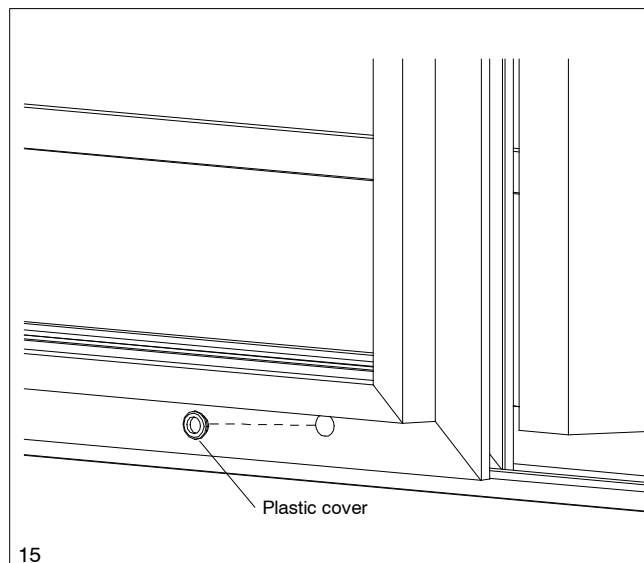
## SAFE-T-PLUS PATIO AND TERRACE DOOR SCREEN REMOVAL

- In order to remove screen door, you must loosen bottom adjustment screws enough for unit to slip out of track. Adjustment screws will be located on either top, front or side of roller, depending on roller type. See illustration 13. Older style wood framed screens will require removal of screw adjustment plug before adjustment screw can be reached. Lift screen in an upward motion so that rollers are free from bottom track. If there is resistance, it may be necessary to loosen top adjustment screws as well. You may use a stiff putty knife to assist in screen removal. Place under the screen roller and push down on putty knife as shown in illustration 14.



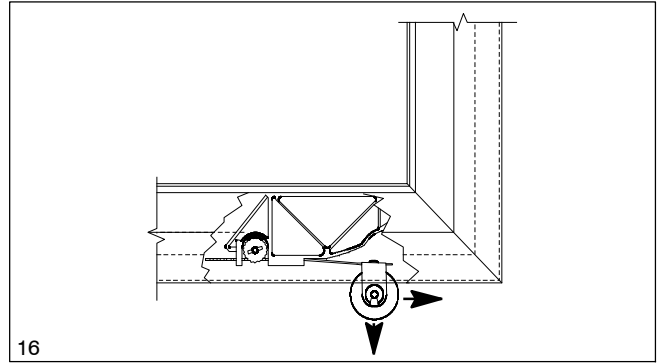
## SAFE-T-PLUS PATIO AND TERRACE DOOR SCREEN ROLLER REPLACEMENT

- Remove screen. See directions above. Remove plastic plug from face of screen in order to expose adjustment screw. See illustration 15.

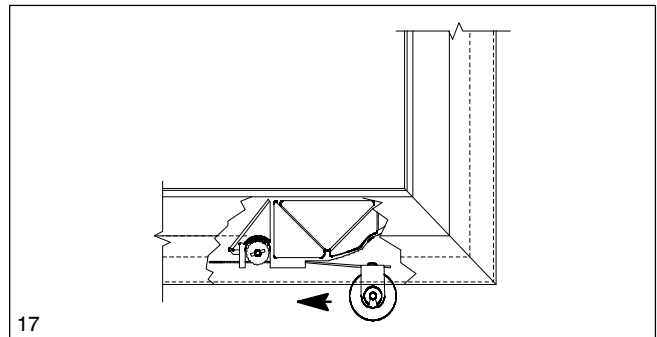


**SCREEN SERVICE GUIDE (1989-1998)**

- Grasp roller as shown in illustration 16 and turn adjustment screw clockwise to disengage roller from housing. See illustration 16.



- Place new roller into cam screw adjustment housing and rotate screw counterclockwise to engage roller into housing as shown in illustration 17.
- Reinstall screen door and make any necessary adjustments following instructions below.



**REINSTALLATION AND ADJUSTMENT OF SAFE-T-PLUS PATIO AND TERRACE DOOR SCREENS**

- Position top of screen door in track channel. Lift door and set sill track so rollers ride on top of track. It may be necessary to back off rollers so that the door will fit into track. To do this, turn adjustment screws clockwise or counterclockwise. See illustration 18.
- Adjust top and bottom rollers until they are snug against top guide and screen operates smoothly. See illustration 19.

