

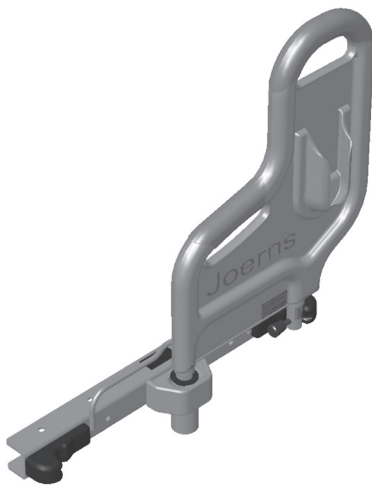


User-Service Manual

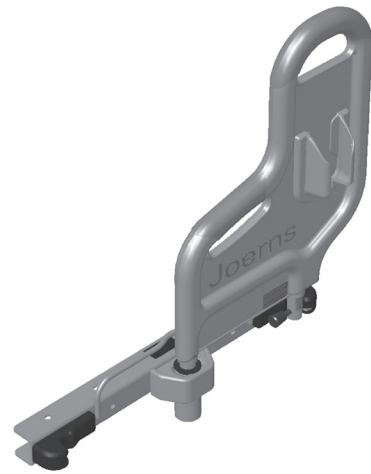
Joerns® Deluxe Assist Handle

Model F028

To avoid injury, read user's manual before using.



F028
(Ergonomic Pendant Holder)



F028
(Basic Pendant Holder)

Model F028

leading bed evolution

WOUND
SOLUTIONS

SAFETY
SOLUTIONS

DESIGN
SOLUTIONS

Important Precautions

⚠ Warning: Risk Of Serious Injury Or Death. This product is intended for use with the Joerns U770, U790, U795, UCXT and ECS beds. Use of this product on any bed for which it was not designed could result in an unproven or unsafe configuration, potentially resulting in serious injury or death. For questions regarding compatibility, contact your Joerns Healthcare Representative.

⚠ Warning: Risk Of Serious Injury Or Death. Use a properly sized mattress in order to minimize the gap between the side of the mattress and the assist device. This gap must be small enough to prevent a resident from getting his/her head or neck caught in this location. Make sure that raising or lowering the bed, or contouring the sleep surface does not create hazardous gaps. Failure to do so could result in serious injury or death.

⚠ Warning: Risk Of Serious Injury Or Death. Properly locate the mounting brackets for the assist device. The gap between the head/foot panel and the assist device must be large enough to prevent a resident from getting his/her head or neck caught in this location (see the installation instructions for more information). If multiple assist devices are needed, position them such that the gap between them is large enough for the trunk and hips to easily pass through. Make sure that raising or lowering the bed, or contouring the sleep surface does not create hazardous gaps. Failure to do so could result in serious injury or death.

⚠ Warning: Risk Of Serious Injury Or Death. Do not use this assist device if any openings within the assist device body will allow a resident to get his/her head or neck lodged within these openings. Failure to do so could result in serious injury or death.

⚠ Warning: Risk Of Serious Injury Or Death. Do not use this assist device until you have verified that it is locked in place. Injury to resident or caregiver may result if this procedure is not followed.

⚠ Warning: An optimal bed system assessment should be conducted on each resident by a qualified clinician or medical provider to ensure maximum safety of the resident. The assessment should be conducted within the context of, and in compliance with, the state and federal guidelines related to the use of restraints and bed system entrapment guidance, including the *Clinical Guidance for the Assessment and Implementation of Side Rails* published by the Hospital Bed Safety Workgroup of the U.S. Food and Drug Administration. Further information can be obtained at the following web address: <http://www.fda.gov/MedicalDevices/ProductsandMedicalProcedures/GeneralHospitalDevicesandSupplies/HospitalBeds/default.htm>.

⚠ Warning: In the event worn or broken part(s) are identified, remove the device from service until repairs are made.

⚠ Warning: Risk of Serious Injury or Death. Do not use the device as an assist if the hand grip area is wet. A wet surface may lead to the resident's hand slipping on the assist device and result in injury or death.

Note: The assist device is intended for use as an aid in entering or exiting the bed sleep area, as well as a stable handhold during self-positioning within the bed sleep area.

This assist device is only one part of your healthcare bed system. Proper combinations of bed, mattress, head/foot panels, and assist devices are needed to minimize the risk of entrapment. For more information, contact your Joerns representative.

Table of Contents

Important Precautions.....	2
Entrapment Information	3
Assist Handle Installation Instructions	4
Warranty	10

Bed System Entrapment Information

Although essential in the practice of long-term care, bedside rails, in recent years, have also been a subject of regulatory review and evolution in design and use.

That focus includes not only the challenge of achieving an appropriate balance between resident security and unnecessary restraint, but also the additional safety issue of entrapment.

The U.S. Food and Drug Administration (FDA), working with our company and other industry representatives has addressed the potential danger of entrapment with new safety guidelines for medical beds. These guidelines recommend dimensional limits for critical gaps and spaces between bed system components.

Entrapment zones involve the relationship of components often directly assembled by the healthcare facility rather than the manufacturer. Therefore, compliance is the responsibility of the facility.

As the leading manufacturer of long-term care beds and a frontrunner in addressing this critical issue, Joerns Healthcare can offer you the expertise, assistance and products to bring your facility into compliance.

Joerns® Compliance Solutions

Matching the right bed components in order to meet regulatory guidelines can be complex.

That is why Joerns offers a wide array of compliance options. We assist customers in selecting compliant accessories recommended for their specific bed model.

Creating a Safer Care Environment

While the guidelines apply to all healthcare settings, (hospitals, nursing homes and at home), long-term care facilities have particular exposure since serious entrapment events typically involve frail, elderly or dementia patients.

For More Information

To learn more about compliance options with Joerns products, visit our website at www.joerns.com, or contact our Customer Care reps at 800-826-0270 and ask for free informational publications.

To learn more about entrapment zones, assessment methods and guidelines concerning entrapment, contact Joerns Healthcare at 800-826-0270 or consult the FDA website: <http://www.fda.gov/MedicalDevices/ProductsandMedicalProcedures/GeneralHospitalDevicesandSupplies/HospitalBeds/default.htm>.

**Joerns® Deluxe Assist Handle
Model F028**

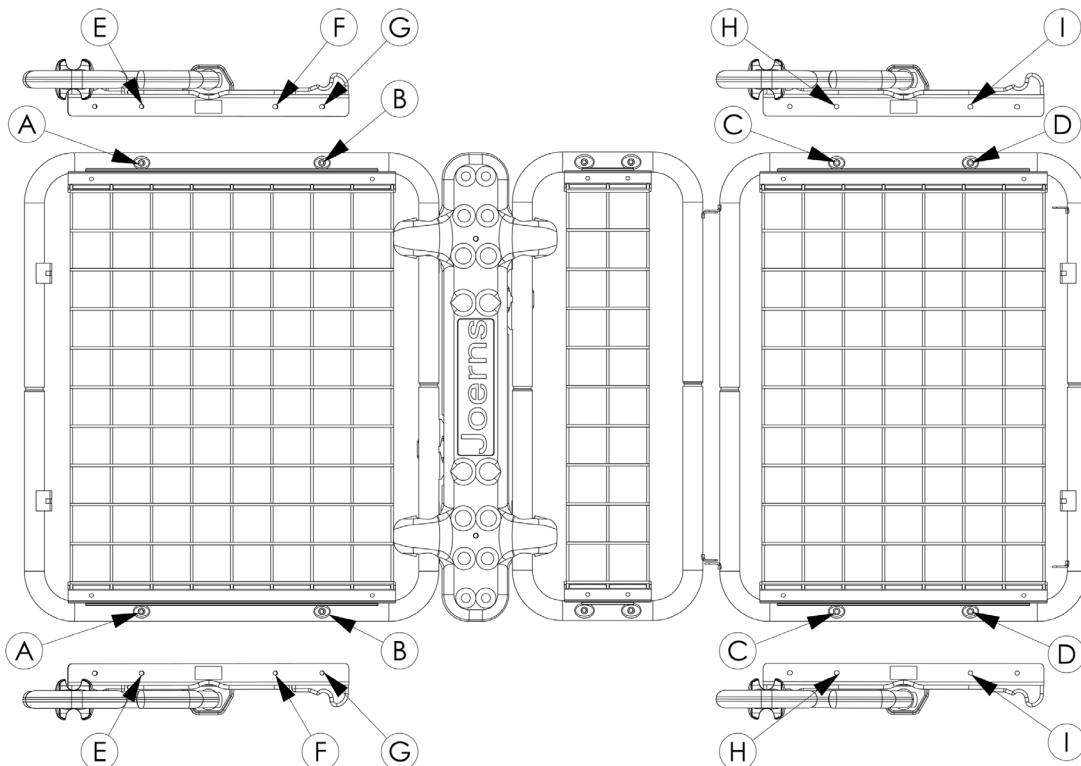
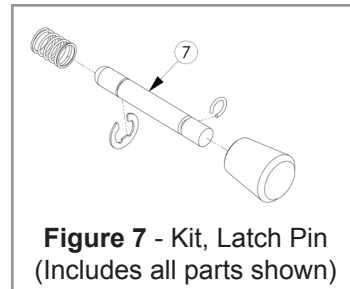
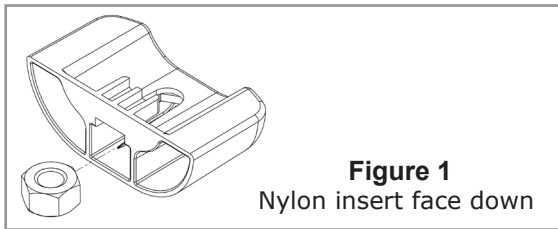
Installation Instructions

UltraCare 700 and UltraCare XT Series

Suggested Tools: 1/2" Wrench, 3/8" Socket Wrench, 1/2" Socket

Parts List		
Item	Description	Qty
1	Assist Handle PN: F028	1
2	Mounting Channel PN: 31008848AL	1
3	5/16"-18 Bolt PN: 12523166	2
4	Lock Nuts 5/16"-18 Hex PN: 12673107	2
5	Nut Retainers PN: 11013270	2
Service Parts		
6	Latch PN: 11012007	2
7	Latch Pin Kit PN: 39000820	1

1. Determine where you want the assist handle to be mounted (Figure 2).
2. Orient the mounting channel (Item 2) with the bed as shown in Figure 3 on page 5.
3. When mounting to an 80" head section, line up holes A & E and holes B & G. For a 76" head section, line up holes A & E and holes B & F. The mounting bracket is attached to the foot section on either 76" or 80" beds using holes C & H and holes I & D (Figure 2). See page 8 for additional installation steps. Please note the same mounting bracket is used in all mounting locations listed above.
4. Insert nuts into nut retainers (Figure 1).
5. Insert 5/16" bolts (Item 3) through holes of mounting channel and holes on sleep surface (Figure 3 on page 5) and fasten securely with 5/16" locknuts in retainers (Item 4).



End of Bed

Figure 2

Operation Instructions

1. Insert the assist handle into the mounting bracket (Figure 4). The assist handle must be perpendicular to the sleep surface.

Note: Insert the bushing completely into the mounting bracket until the flange is resting upon the bracket. Failure to ensure proper installation may lead to damage to the bushing, a reduced product life, and/or poor function of the assembly.

2. After the assist handle is inserted, it can be rotated 90 degrees towards the head or foot section of the bed.
3. Lock the assist handle by engaging the latch pin into the latch (Item 6) (Figure 5).
4. Verify that the assist handle is locked prior to leaving any resident unattended.
5. To remove the assist handle: orient the assist handle perpendicular to the sleep surface (Figure 4). Pull straight up on the assist handle to remove.

Maintenance/Inspection Information: Visually inspect the assist handle and mounting bracket, and check for loose hardware on a monthly basis. Tighten loose hardware as stated in the installation instructions.

Warning: In the event worn or broken part(s) are identified, remove the device from service until repairs are made.

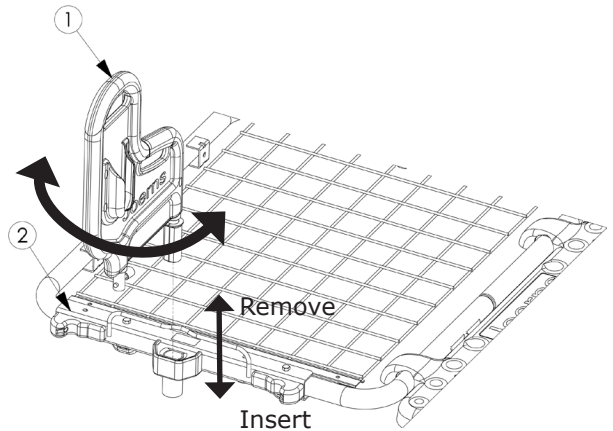


Figure 4

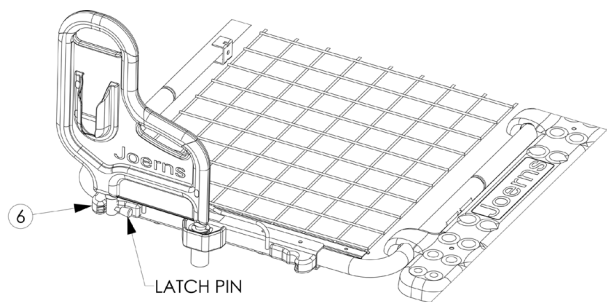


Figure 5

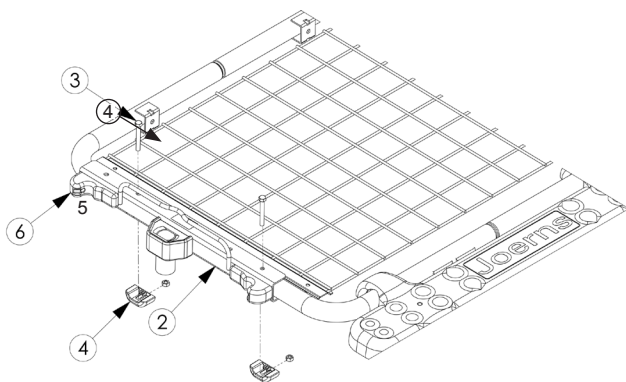


Figure 3

Joerns® Deluxe Assist Handle Model F028

EasyCare Series

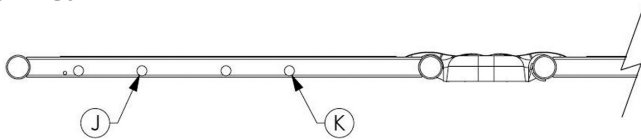
Suggested Tools: 1/2" Wrench, 3/8" Socket Wrench, 1/2" Socket

Parts List		
Item	Description	Qty
1	Assist Handle PN: F028	1
2	Mounting Channel PN: 31008848AL	1
3	5/16"-18 Bolt PN: 12523166	2
4	Lock Nuts 5/16"-18 PN: 12673105	2
5	Bushings PN: 11012033	2
6	Small Washer PN: 12843789	2
7	Large Washer PN: 12843788	2
Service Parts		
8	Latch PN: 11012007	2
9	Latch Pin Kit PN: 39000820	1

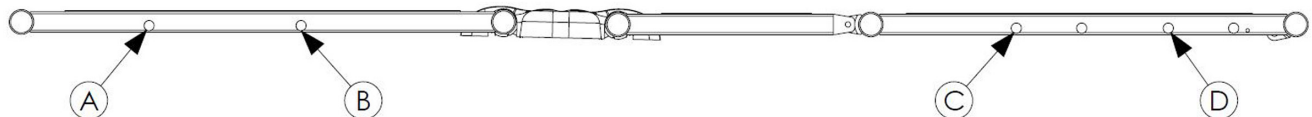
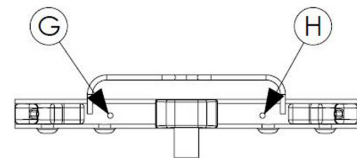
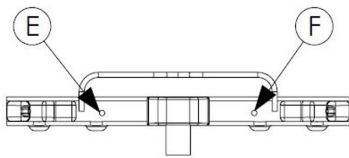
1. Determine where you want the assist handle to be mounted (Figure 8).
2. Remove the mattress stop from the sleep surface on which you will be mounting the assist handle.
3. Orient the mounting channel (Item 2) with the bed as shown in Figure 9 on page 7.
4. When mounting to an 80" head section, line up holes A & E and holes B & F. For a 76" head section, line up holes E & J and holes F & K. The mounting bracket is attached to the foot section on either 76" or 80" beds using holes C & G and holes H & D (Figure 8). See page 8 for additional installation steps. Please note the same mounting bracket is used in all mounting locations listed above.
5. Apply small washer (Item 6) to 5/16" Bolt (Item 3). Insert bushings (Item 5) into sleep surface as identified in Step 3 above. Insert bolt through holes. Apply the large washer (Item 7) and secure with lock nut (Item 4).
6. Reinstall mattress stop(s).

Note: For ECS bed frames manufactured before 5/1/2009 (see Serial Number Label located on the right side of the bed frame below the foot sleep deck section), contact Joerns Healthcare's Technical Service at 800.826.0270 for an updated mattress stop.

76" Bed



80" Bed



Head

Side of Bed

Foot

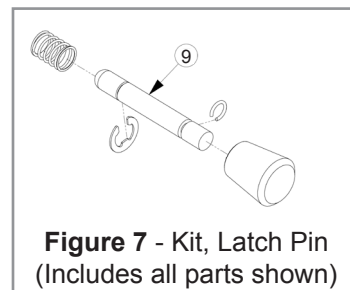


Figure 8

Operation Instructions

1. Insert the assist handle into the mounting bracket (Figure 10). The assist handle must be perpendicular to the sleep surface.

Note: Insert the bushing completely into the mounting bracket until the flange is resting upon the bracket. Failure to ensure proper installation may lead to damage to the bushing, a reduced product life, and/or poor function of the assembly.

2. After the assist handle is inserted, it can be rotated 90 degrees towards the head or foot section of the bed.
3. Lock the assist handle by engaging the latch pin into the latch (Item 6) (Figure 11).
4. Verify that the assist handle is locked prior to leaving any resident unattended.
5. To remove the assist handle: orient the assist handle perpendicular to the sleep surface (Figure 10). Pull straight up on the assist handle to remove.

Maintenance/Inspection Information: Visually inspect the assist handle and mounting bracket, and check for loose hardware on a monthly basis. Tighten loose hardware as stated in the installation instructions.

Warning: In the event worn or broken part(s) are identified, remove the device from service until repairs are made.

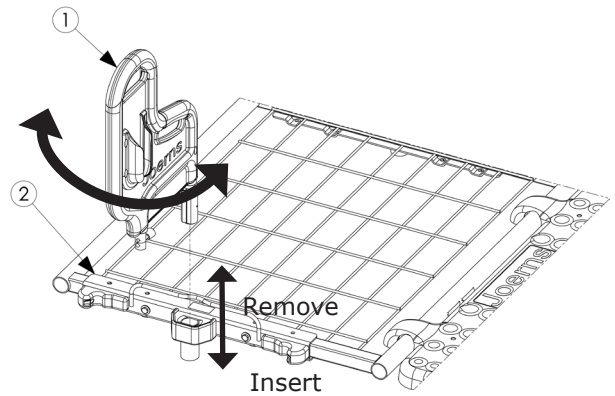


Figure 10

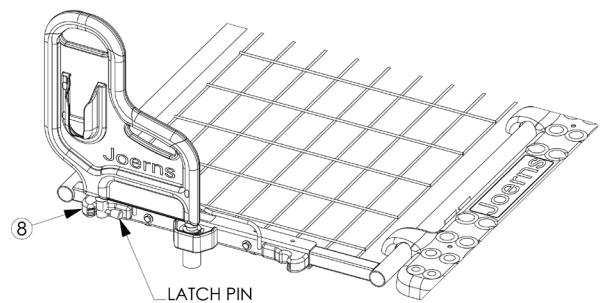


Figure 11

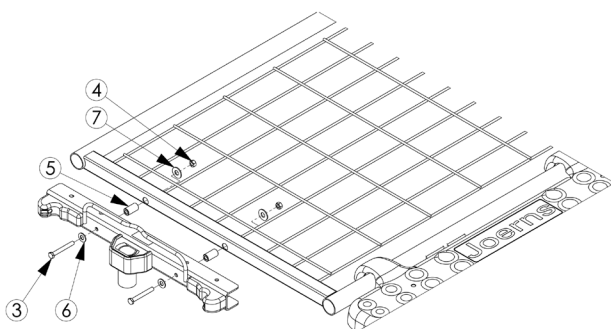


Figure 9

Joerns® Deluxe Assist Handle Model F028

Foot End Installation Instructions

For use when installing F028 on foot end of the bed for UltraCare 700, UltraCare XT and EasyCare Series.

Suggested Tools: 1/2" Socket Wrench

Parts List		
Item	Description	Qty
1	Panel Mount Bracket PN: 11012722	1
2	Bolt, 5/16"-18 x .75 PN: 12553104	4

⚠ Warning: Risk of Serious Injury. Properly locate the brackets for the assist device and foot panel bracket. Failure to do so could result in serious injury.

1. Raise the bed to a comfortable working height and raise the Foot Section (Figure 12).
2. Locate the bolts on either side of the bed (Figure 13). Remove bolts from both sides of the bed (4 bolts).
3. Locate the battery patch cable (Detail A). Ensure that there is enough loose cable to allow you to move the panel mount bracket out approximately 1-inch (Figure 13)
4. Once the panel mount bracket is able to move, locate the holes shown in Figure 14.
5. Install the 4 bolts that were removed in Step 2.

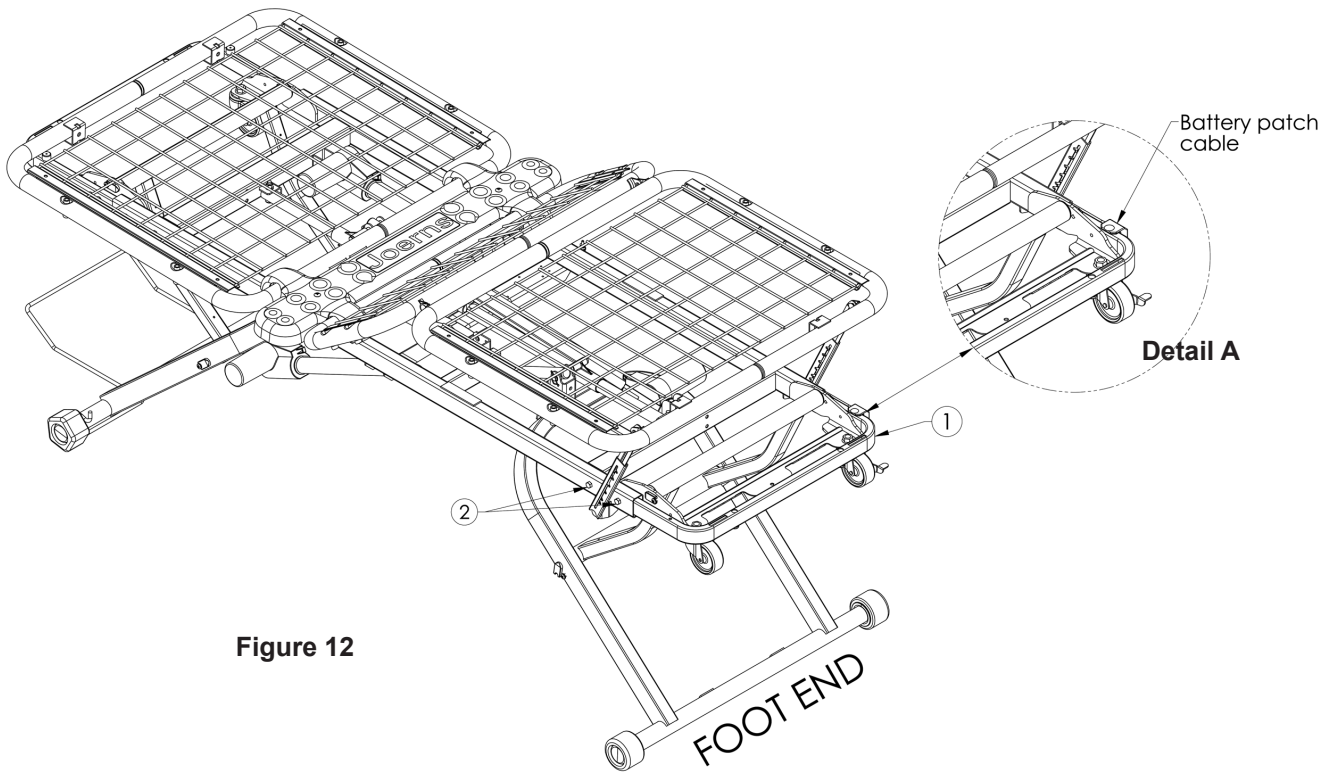


Figure 12

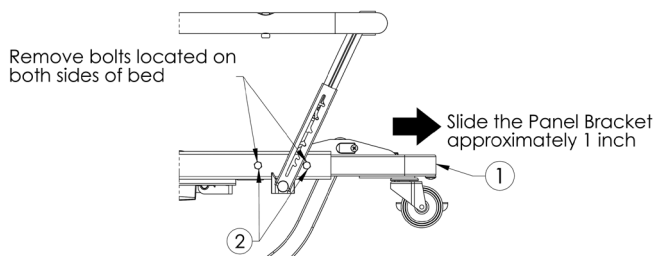


Figure 13

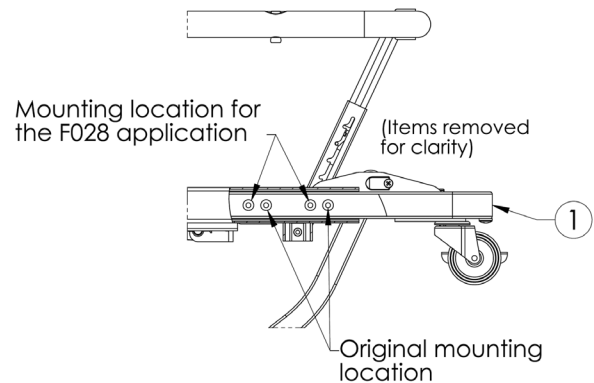


Figure 14

Notes:



Joerns Healthcare Warranty Program

for all Joerns Assist Devices and Side Rails

Joerns assist devices and side rails are guaranteed for a period of 12 months from the date of delivery against defects in materials and workmanship under normal use and service.

Steel structural components and welds are covered under warranty for a period of ten years from the date of delivery.

This warranty does not apply to damage or defects caused by misuse, incorrect handling or installation by a non-authorized installer. Damage caused by use in unsuitable environmental conditions or failure to maintain the product in accordance with user and service instructions is not covered. Any alteration, modification or repair unless performed by or authorized in writing by Joerns Healthcare will void this warranty.

The product contains various parts that wear from normal use. These parts, such as plastic bushings, are not covered under the 12-month warranty, but are covered for 90 days after purchase of product.

Joerns Healthcare's obligation under this warranty is limited to supplying replacement parts, servicing or replacing, at its option, any product which is found by Joerns Healthcare to be defective.

Warranty replacement parts are covered by the terms of this warranty until the product's original warranty period expires.

When requested by Joerns Healthcare, parts must be returned for inspection at the customer's expense. Credit will be issued only after inspection.

Service

Most service requests can be handled by the facility Maintenance Department with assistance from the Joerns Healthcare product Service Department. Most parts requested can be shipped UPS next day air at the customer's expense. Should a technician be required, at our discretion, one will be provided by Joerns Healthcare. Only the Joerns Healthcare Product Service Department can dispatch authorized technicians. For prompt warranty inspection and service contact your local authorized representative or Joerns Healthcare Customer Service at 800.826.0270

Post Acute, Acute, HomeCare
(P) 800.826.0270
(F) 800.457.8827

VA/Government
(P) 800.966.6662
(F) 800.232.9796

United Kingdom
+44 (0) 844 811 1156
+44 (0) 844 811 1157

Canadian Office
(P) 866.546.1151
(F) 519.451.8662

Netherlands
+31 (0) 30 6363700
+31 (0) 30 6363799

All Other Countries
+44 (0) 844 811 1156
+44 (0) 844 811 1157