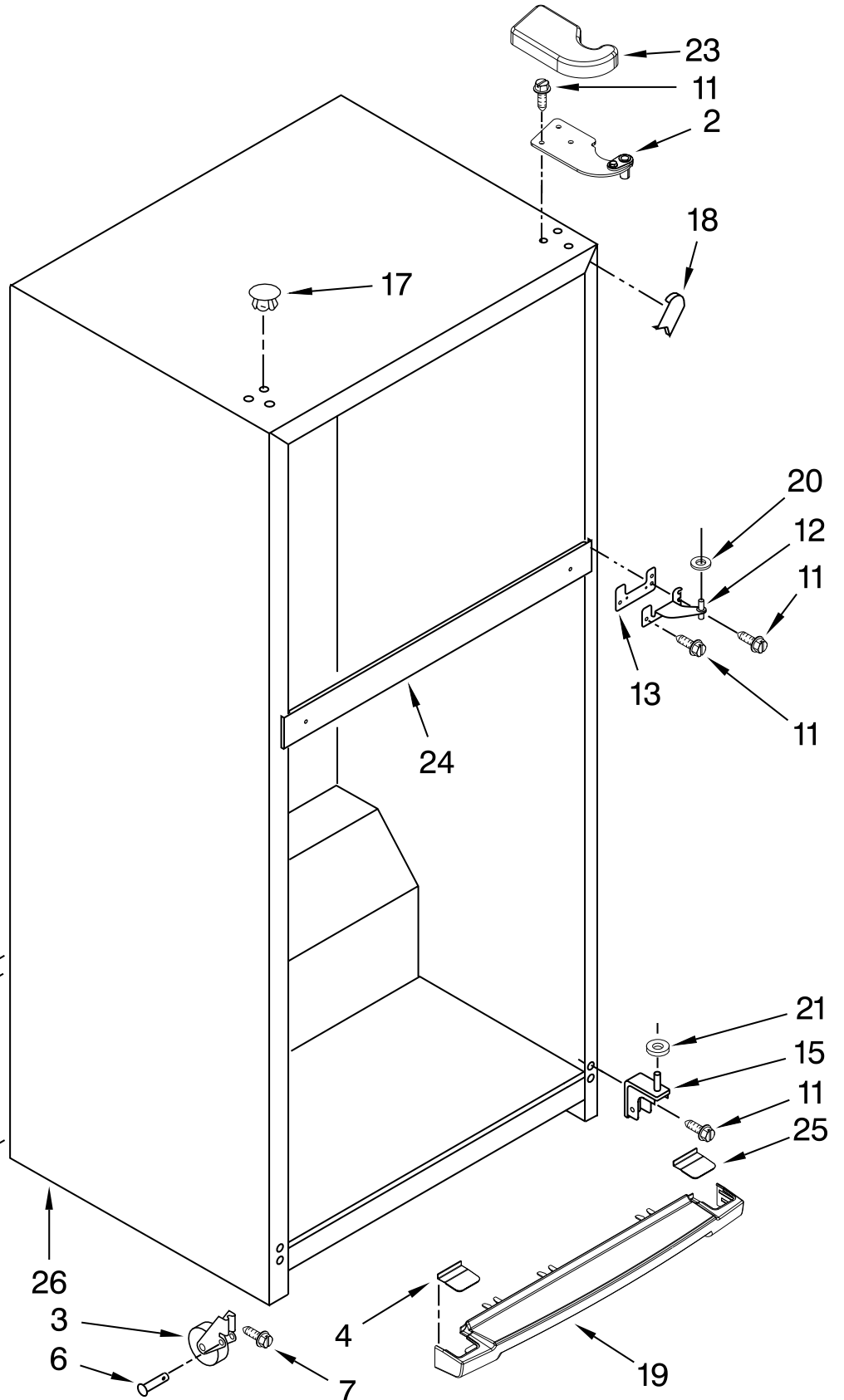
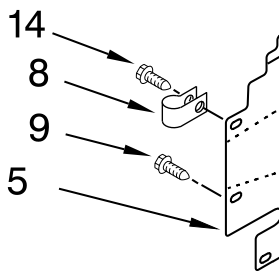
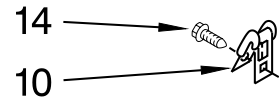
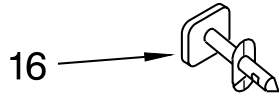
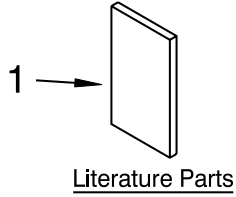


CABINET PARTS

REFRIGERATOR

For Models: WRT351SFYW00, WRT351SFYB00, WRT351SFYF00, WRT351SFYM00
(White) (Black) (Stainless Steel) Sparkle



FOR ORDERING INFORMATION REFER TO PARTS PRICE LIST

CABINET PARTS

For Models: WRT351SFYW00, WRT351SFYB00, WRT351SFYF00, WRT351SFYM00
 (White) (Black) (Stainless Steel) Sparkle)

Illus. No.	Part No.	DESCRIPTION	Illus. No.	Part No.	DESCRIPTION	Illus. No.	Part No.	DESCRIPTION
1		Literature Parts	6	2221797	Rivet	19		Grille
	W10404596	Service & Wiring Sheet	7	3400517	Screw			(Includes Illus. 4 & 22)
	W10353988	Energy Label	8	489385	Tube Clamp		W10300129	White
	W10343810	Use & Care Guide	9	489427	Screw		W10353939	Black
			10	549193	Clamp, Cord		W10353941	Grey
			11	489497	Screw	20	489341	Washer, Plain
			12	2254618	Hinge, Center	21	487576	Washer, Nylon
			13	2183852	Shim, Hinge Center	23		Cover, Hinge
			14	8281265	Screw		W10331560	White RS
			15	2254473	Hinge Butt		W10331654	White LS
			16		Fitting, Water Tube (NOT SERVICED)		W10353945	Black RS
			17		Hole Plug (6)		W10353948	Black LS
				2201012	White		W10353947	Grey RS
				2183998	Black		W10353950	Grey LS
				2254506	Grey	24		Rail, Center (NOT SERVICED)
			18		Corner Filler (2)	25		Cover, Toe Grille Hinge
				W10283959	White		W10381059	White
				W10283960	Black		W10381060	Black
				W10283961	Grey		W10381064	Midnight Grey
						26		Cabinet (Not a Serviceable Part)

Following May Be Purchased

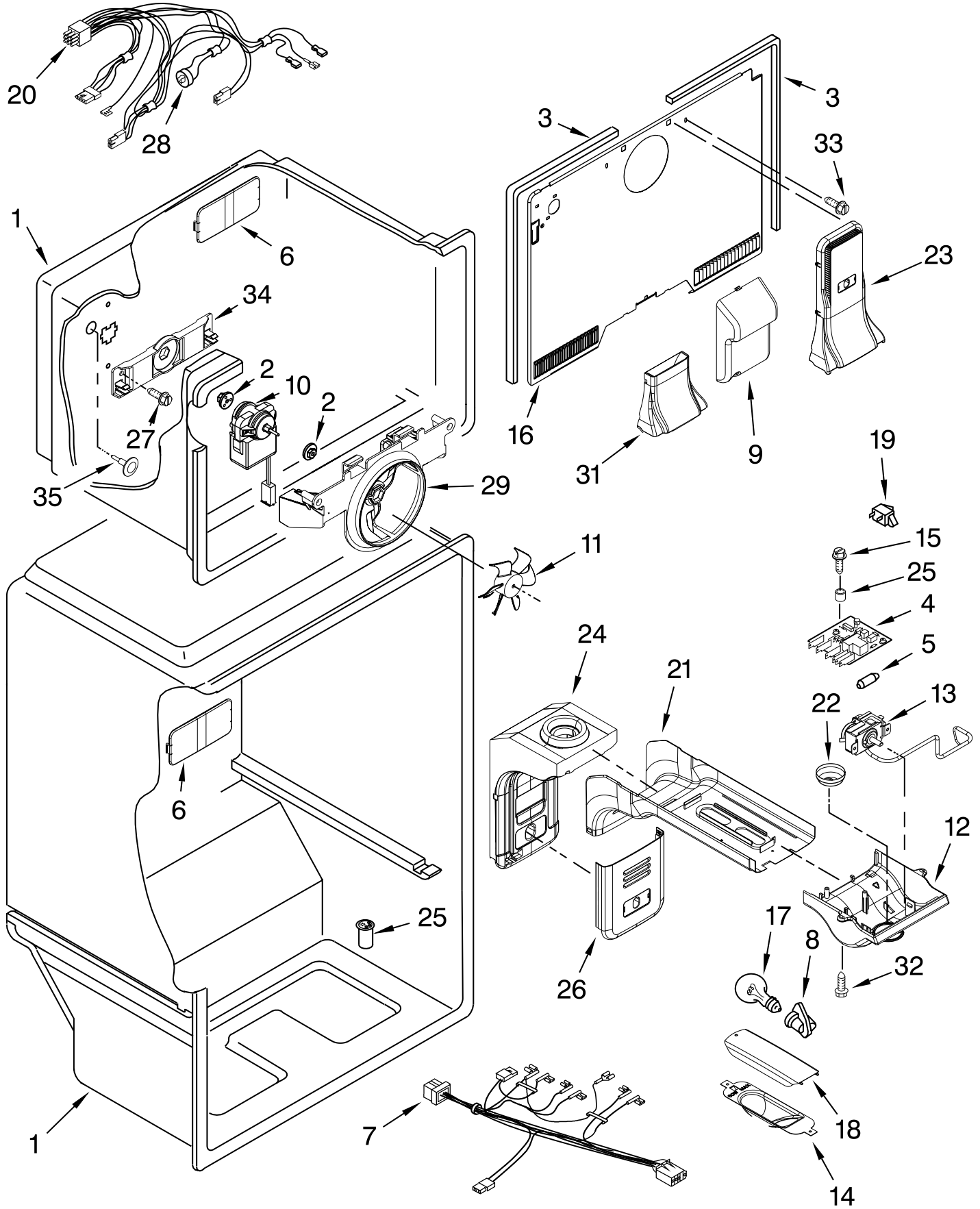
DO-IT-YOURSELF REPAIR MANUALS

677969 Do-It-Yourself Manual Ref./Fzr.

- 2 W10300065 Hinge (Top)
- 3 2166108 Roller, Front (2)
- 4 Endcap, Grille
 - W10339257 White
 - W10353930 Black
 - W10353932 Midnight Grey
- 5 W10384414 Cover, Unit

LINER PARTS

For Models: WRT351SFYW00, WRT351SFYB00, WRT351SFYF00, WRT351SFYM00
 (White) (Black) (Stainless Steel) Sparkle



FOR ORDERING INFORMATION REFER TO PARTS PRICE LIST

LINER PARTS

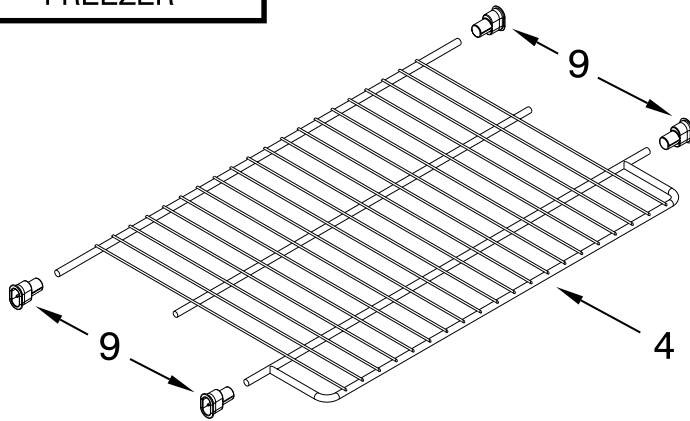
For Models: WRT351SFYW00, WRT351SFYB00, WRT351SFYF00, WRT351SFYM00
 (White) (Black) (Stainless Steel) Sparkle)

Illus. No.	Part No.	DESCRIPTION
1		Liner (Not A Serviceable Part)
2	2197380	Grommet (2)
3	2254360	Gasket, Evaporator Cover (2)
4	W10352689	Electronic Control
5	W10381575	Thermostat Tube Barrier
6	W10336009	Screw Cup
7	W10318068	Wire Assembly, Control Box
8	2162085	Socket, Light
9	W10339203	Water Tube Cover
10	2315539	Fan Motor
11	2200509	Fan Blade
12	W10316941	Control Box
13	W10343913	Thermostat Assembly (Includes #5)
14	W10300161	Shield, Light
15	488208	Screw
16	W10305173	Cover, Evaporator
17	W10311528	Light Bulb (2)
18	W10348614	Cover, Light
19	1118894	Rocker Arm Switch
20	W10339627	Wire Assembly, Frzr. Compartment (Includes Illus. 28)
21	W10305175	Cover, Air Diffuser
22	W10356940	Knob, Thermostat
23	W10305174	Air Tower
24	W10376137	Air Diffuser, Bottom Assembly
25	2210509	Valve
26	W10310927	Air Diffuser Cup
27	488208	Screw
28	W10392132	Defrost, BI-Metal
29	W10321162	Bracket, Fan Motor
31	W10396926	Tower Conn Assy
32	489442	Screw
33	489478	Screw
34	2254454	Bracket Evap. Fan, Rear
35	941839	Hole Plug (Icemaker)

SHELF PARTS

For Models: WRT351SFYW00, WRT351SFYB00, WRT351SFYF00, WRT351SFYM00
 (White) (Black) (Stainless Steel) Sparkle)

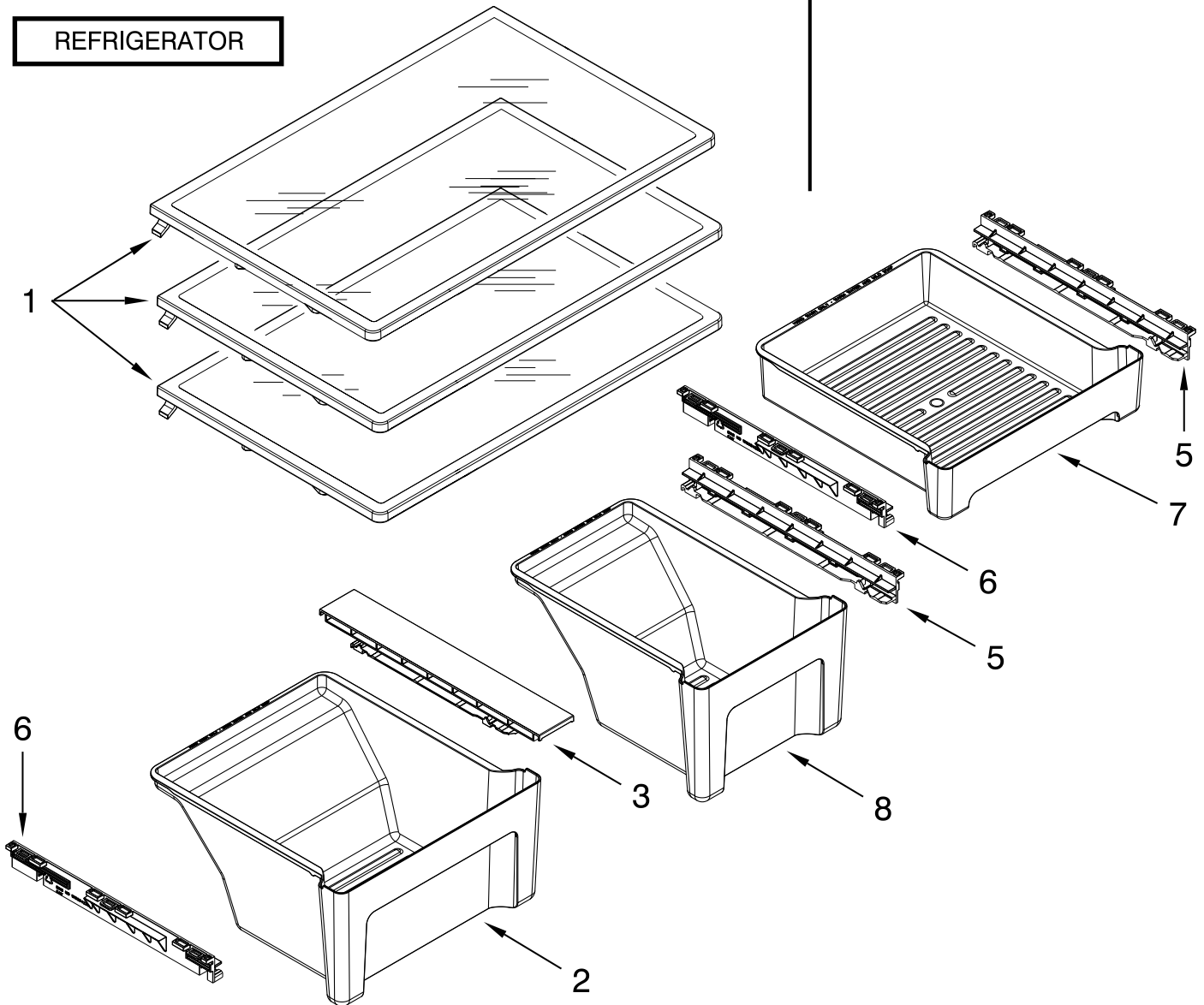
FREEZER



Illus. No.	Part No.	DESCRIPTION
------------	----------	-------------

- | | | |
|---|-----------|-------------------|
| 1 | W10486289 | Shelf, Glass |
| 2 | W10308861 | Pan, Crisper |
| 3 | W10404446 | Track Rail Center |
| 4 | W10384386 | Shelf, Wire FC |
| 5 | W10404450 | Track Rail RH |
| 6 | W10404449 | Track Rail LH |
| 7 | W10308849 | Pan, Meat |
| 8 | W10373943 | Pan Crisper 12" |
| 9 | W10130299 | Shelf Cup FC |

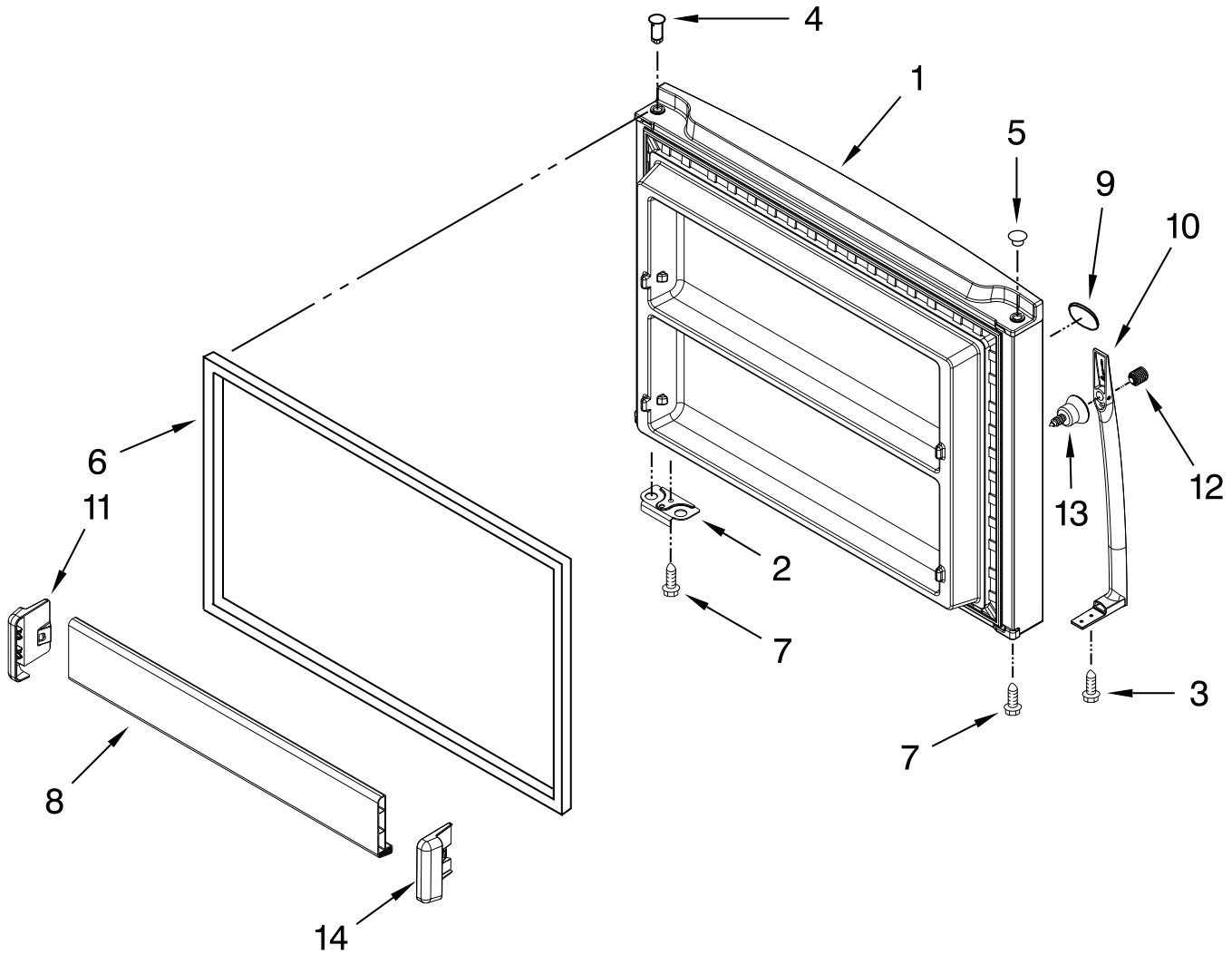
REFRIGERATOR



FOR ORDERING INFORMATION REFER TO PARTS PRICE LIST

FREEZER DOOR PARTS

For Models: WRT351SFYW00, WRT351SFYB00, WRT351SFYF00, WRT351SFYM00
 (White) (Black) (Stainless Steel) Sparkle



Illus. No.	Part No.	DESCRIPTION
1		Freezer Door (Includes Illus. 4 & 6)
	W10406259	White
	W10406261	Black
	W10406263	Stainless Steel
	W10406262	Sparkle
2	2189202	Bracket, Door Stop
3	489357	Screw
4	W10334042	Thimble

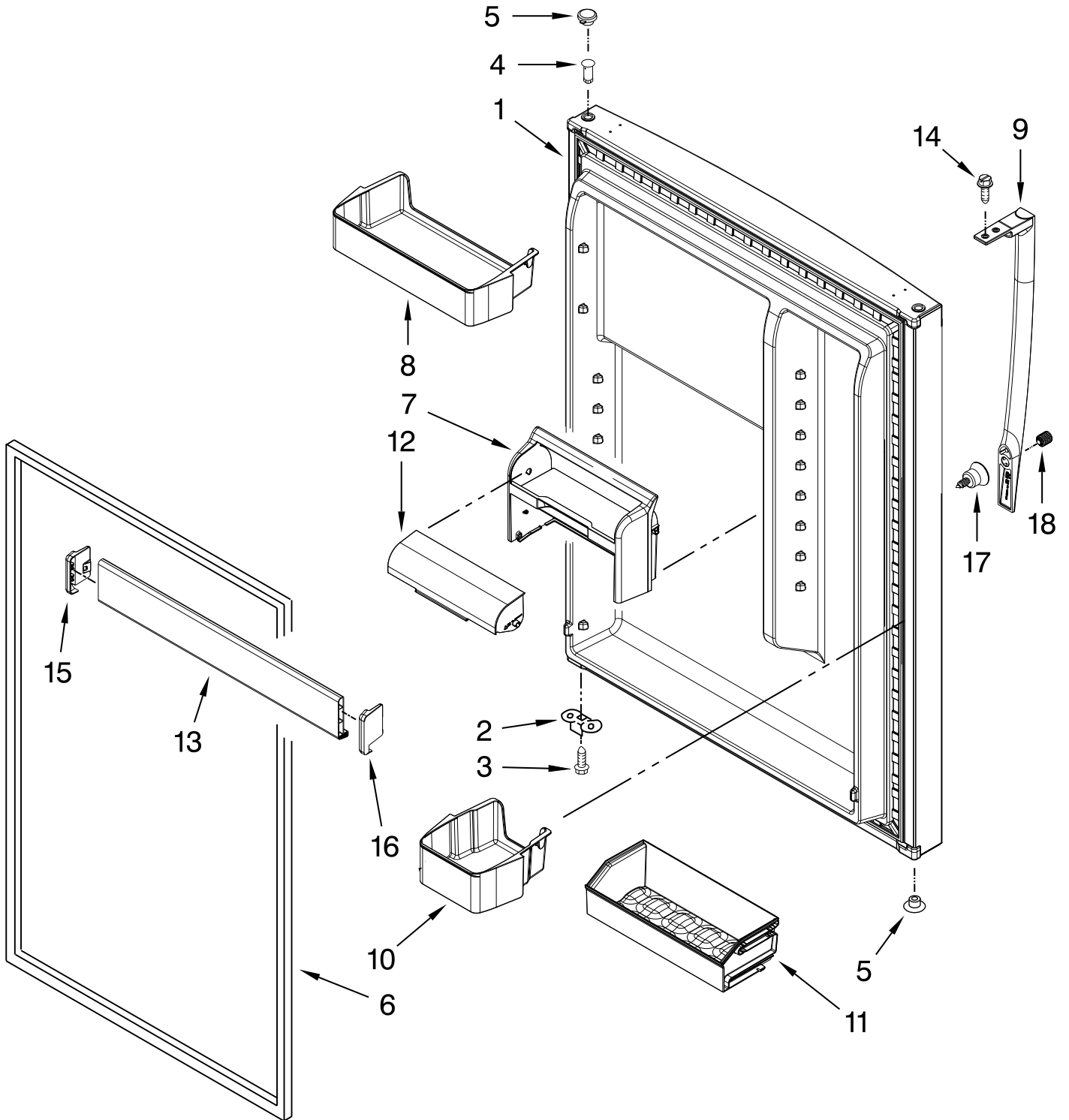
Illus. No.	Part No.	DESCRIPTION
5		Hole Plug, Hinge Sleeve
	2212648	White
	2212651	Black
	2254517	Grey
6		Door Gasket, Magnetic
	2214967	Mist Beige
	2214969	Black
	W10171479	Grey
7	489276	Screw

Illus. No.	Part No.	DESCRIPTION
8	W10308875	Trim, Door Shelf (2)
9		Nameplate
	W10481434	White
	W10481433	Shadow Grey
10		Handle
	W10498429	White
	W10498430	Black
	W10498431	Titanium Sparkle
11	W10338485	EndCap Trim LS
12	690046	Set Screw
13	W10170540	Screw
14	W10308871	Endcap Trim RS

FOR ORDERING INFORMATION REFER TO PARTS PRICE LIST

REFRIGERATOR DOOR PARTS

For Models: WRT351SFYW00, WRT351SFYB00, WRT351SFYF00, WRT351SFYM00
 (White) (Black) (Stainless Steel) Sparkle



FOR ORDERING INFORMATION REFER TO PARTS PRICE LIST

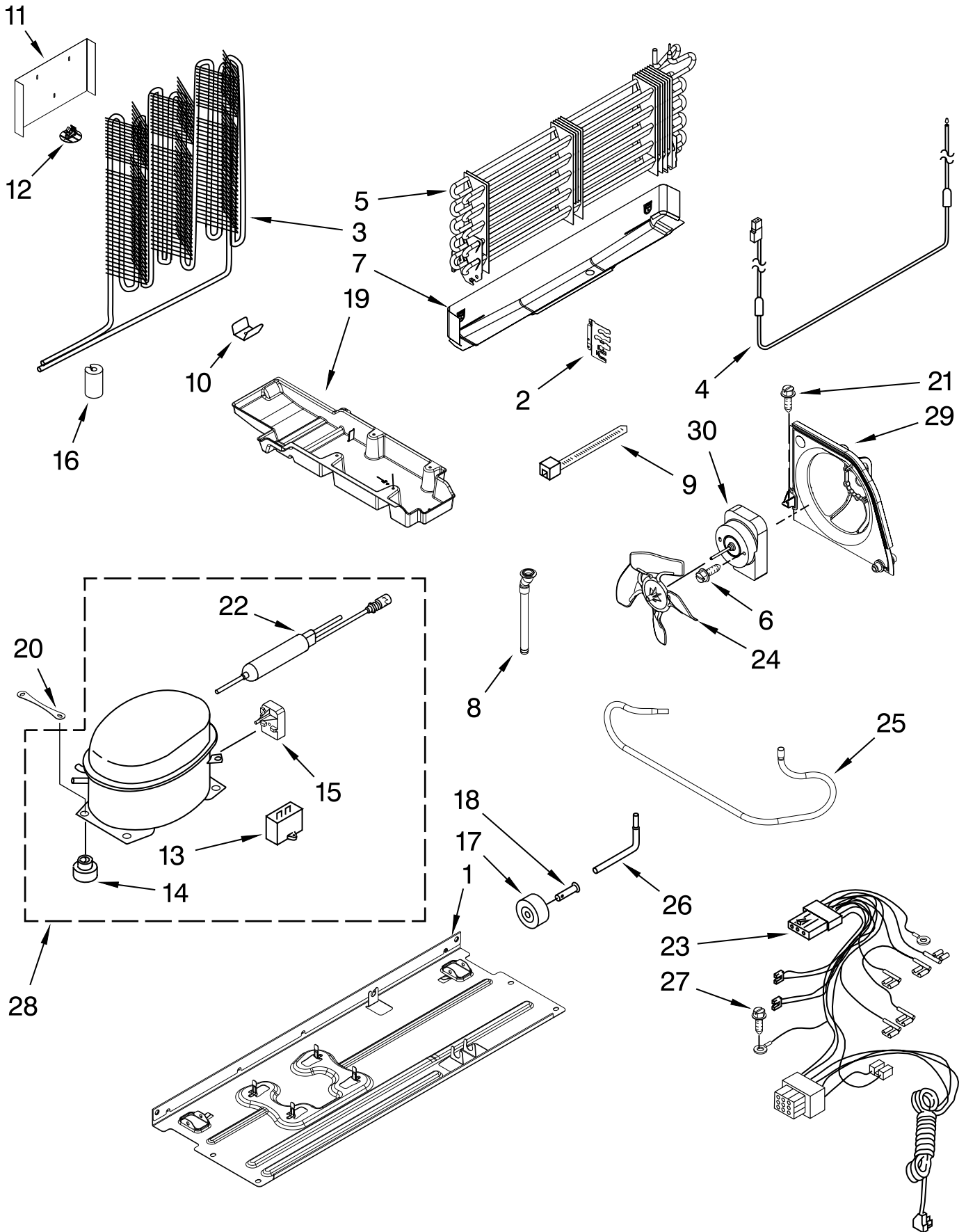
REFRIGERATOR DOOR PARTS

For Models: WRT351SFYW00, WRT351SFYB00, WRT351SFYF00, WRT351SFYM00
 (White) (Black) (Stainless Steel) Sparkle)

Illus. No.	Part No.	DESCRIPTION
1		Refrigerator Door (Includes Illus. 4 & 6)
	W10406239	White
	W10406240	Black
	W10406244	Stainless Steel
	W10406242	Sparkle
2	2189202	Bracket, Door Stop
3	489276	Screw, 8 x 1/2
4	W10334042	Thimble
5		Hole Plug, Hinge Sleeve
	2212648	White
	2212651	Black
	2254517	Grey
6		Door Gasket, Magnetic
	2202875	Mist Beige
	2202882	Black
	W10171475	Grey
7	W10308809	Utility Compartment
8	W10308868	Bin Long
9		Handle
	W10498429	White
	W10498430	Black
	W10498431	Titanium Sparkle
10	W10308869	Bin Med
11	W10308845	Can Caddy
12	W10308843	Utility Flip Lid
13	W10308874	Trim, Door Shelf
14	489357	Screw
15	W10338485	Endcap Trim LS
16	W10308871	Endcap Trim RS
17	W10170540	Screw
18	690046	Set Screw

UNIT PARTS

For Models: WRT351SFYW00, WRT351SFYB00, WRT351SFYF00, WRT351SFYM00
 (White) (Black) (Stainless Steel) Sparkle



FOR ORDERING INFORMATION REFER TO PARTS PRICE LIST

UNIT PARTS

For Models: WRT351SFYW00, WRT351SFYB00, WRT351SFYF00, WRT351SFYM00
 (White) (Black) (Stainless Steel) Sparkle)

Illus. No.	Part No.	DESCRIPTION	Illus. No.	Part No.	DESCRIPTION	Illus. No.	Part No.	DESCRIPTION
1	W10300118	Plate, Unit Mounting	15		Start-Device Combination (Start Relay and Overload)	Following Parts Not Illustrated and Optional Parts Not Included		
2	W10314197	Bracket, Evap		W10194431	Production	978025		Valve, Access (1/4")
3	W10342567	Condenser		W10194431	Service	978026		Valve, Access (5/16")
4	W10316428	Heater, Defrost	16	2319835	Condenser Grommet	978027		Valve, Access (3/8")
5	W10314205	Evaporator Assy.	17	2150304	Roller	978028		Valve, Access (1/2")
6	8533961	Screw	18	2179826	Rivet	978029		Valve, Access (5/8")
7	W10314195	Shield, Heat	19	W10466213	Drain Tray	978030		Valve, Access (3/4")
8	W10316650	Drain Valve	20	W10236396	Strap, Compressor	876764		Valve, Access (3/16")
9	2263990	Strap	21	3400518	Screw	REFRIGERANT CHARGE		
10	W10248621	Clip, Condenser	22		Drier	4.0 Ozs. (R134A)		
11	W10349515	Cover, Condenser Bottom		W10177049	Production			
12	W10296661	Clip, Cover		W10143759	Service			
13		Capacitor	23	W10410814	Wire Assembly Unit			
	2264017	Production	24	W10139483	Fan Blade			
	2264017	Service	25	W10466683	Tube, Suction			
14		Grommet	26	2212848	Tube, Process			
	10835903	Production	27	488500	Screw			
	1100826	Service	28	W10164016	Compressor (Includes Items 13, 14, 15 & 22)			
			29	2315541	Air Baffle			
			30	2188874	Motor, Condenser			

FOR ORDERING INFORMATION REFER TO PARTS PRICE LIST

OPTIONAL PARTS

For Models: WRT351SFYW00, WRT351SFYB00, WRT351SFYF00, WRT351SFYM00
 (White) (Black) (Stainless Steel) Sparkle)

Illus. No.	Part No.	DESCRIPTION
Parts Not Illustrated and Optional Parts (Not Included)		
	978941	Insulation, Fiberglass (63-1/2" x 35-1/2" x 2-5/8")
	212643	Sealer, Gum (4 Feet)
	479502	Tape, Vinyl (3/4" x 108")
	W10395148	Kit, Door Reversal
	876305	Kit, Insulation (14 Pcs. 3" x 24" x 48")
	876370	Kit, Insulation (2 Pcs. 3" x 24" x 48")
	876029	Kit, Foam Slab (30" x 32-1/2" x 1-1/2")
	505587	Sealer, Mastic (1 Qt.)
	511873	Touch-Up, White Porcelain (2 Oz.)
	542638	Grease, Silicone (1/2 Oz.)
	542639	Cement, Aluilastic (1-1/4 Oz.)
	606755	Bag, Insulation (36-5/8" x 46")
	503695	Cork Sealer (1/4 Pound)

Illus. No.	Part No.	DESCRIPTION
Customer Touch-Up Material		
	*350942	Primer, White (12 Oz. Spray Can)
	*350939	Enamel, Black (12 Oz. Spray Can)
	*350930	Enamel, White (12 Oz. Spray Can)
	*4392901	Enamel, Biscuit (12 Oz. Spray Can)
	72017	Brush Touch-Up Kit (White)
	72032	Brush Touch-Up Kit (Black)
	4392899	Brush Touch-Up Kit (Biscuit)
Refinishing Material		
	799344	Enamel, White (1 Qt. Uncut)
	4392900	Enamel, Biscuit (1 Qt. Uncut)
	833938	Kit, Terminal Connector
	* Important: The spray paint is not to be used where the paint may make contact with the door gaskets.	

Illus. No.	Part No.	DESCRIPTION
ICE MAKER FIELD INSTALLABLE		
	2155469	ECKMF94
TORX SCREW WRENCH		
	1117510	Torx Key