

*Thinking of you.* -

**E Electrolux**

user manual

Freezer

EUF29400X, EUF29406W  
EUF29405W, EUF29406X  
EUF29405X, EUF29406K  
EUF29405K, EUF29412W  
EUF29412X

## Electrolux. Thinking of you.

Share more of our thinking at [www.electrolux.com](http://www.electrolux.com)

## CONTENTS

Safety information	2	Care and cleaning	8
Control panel	4	What to do if...	8
First use	6	Technical data	11
Daily use	6	Installation	11
Helpful Hints and Tips	7	Environmental concerns	14

Subject to change without notice



## SAFETY INFORMATION

In the interest of your safety and to ensure the correct use, before installing and first using the appliance, read this user manual carefully, including its hints and warnings. To avoid unnecessary mistakes and accidents, it is important to ensure that all people using the appliance are thoroughly familiar with its operation and safety features. Save these instructions and make sure that they remain with the appliance if it is moved or sold, so that everyone using it through its life will be properly informed on appliance use and safety.

For the safety of life and property keep the precautions of these user's instructions as the manufacturer is not responsible for damages caused by omission.

**Children and vulnerable people safety**

- This appliance is not intended for use by persons (including children) with reduced physical, sensory or mental capabilities, or lack of experience and knowledge, unless they have been given supervision or instruction concerning use of the appliance by a person responsible for their safety. Children should be supervised to ensure that they do not play with the appliance.
- Keep all packaging well away from children. There is risk of suffocation.
- If you are discarding the appliance pull the plug out of the socket, cut the connection cable (as close to the appliance as you can) and remove the door to prevent playing children to suffer electric shock or to close themselves into it.
- If this appliance featuring magnetic door seals is to replace an older appliance having a spring lock (latch) on the door or lid, be sure to make that spring lock unusable

before you discard the old appliance. This will prevent it from becoming a death trap for a child.

**General safety**

**Caution!** Keep ventilation openings clear of obstruction.

- The appliance is intended for keeping foodstuff and/or beverages in a normal household as explained in this instruction booklet.
- Do not use a mechanical device or any artificial means to speed up the thawing process.
- Do not use other electrical appliances (such as ice cream makers) inside of refrigerating appliances, unless they are approved for this purpose by the manufacturer.
- Do not damage the refrigerant circuit.
- The refrigerant isobutane (R600a) is contained within the refrigerant circuit of the appliance, a natural gas with a high level of environmental compatibility, which is nevertheless flammable. During transportation and installation of the appliance, be certain that none of the components of the refrigerant circuit become damaged. If the refrigerant circuit should become damaged:
  - avoid open flames and sources of ignition
  - thoroughly ventilate the room in which the appliance is situated
- It is dangerous to alter the specifications or modify this product in any way. Any damage to the cord may cause a short-circuit, fire and/or electric shock.

**Warning!** Any electrical component (power cord, plug, compressor) must be replaced by a certified service agent or qualified service personnel.

1. Power cord must not be lengthened.
  2. Make sure that the power plug is not squashed or damaged by the back of the appliance. A squashed or damaged power plug may overheat and cause a fire.
  3. Make sure that you can come to the mains plug of the appliance.
  4. Do not pull the mains cable.
  5. If the power plug socket is loose, do not insert the power plug. There is a risk of electric shock or fire.
  6. You must not operate the appliance without the lamp cover<sup>1)</sup> of interior lighting.
- This appliance is heavy. Care should be taken when moving it.
  - Do not remove nor touch items from the freezer compartment if your hands are damp/wet, as this could cause skin abrasions or frost/freezer burns.
  - Avoid prolonged exposure of the appliance to direct sunlight.
  - Bulb lamps<sup>2)</sup> used in this appliance are special purpose lamps selected for household appliances use only. They are not suitable for household room illumination.

### Daily Use

- Do not put hot pot on the plastic parts in the appliance.
- Do not store flammable gas and liquid in the appliance, because they may explode.
- Do not place food products directly against the air outlet on the rear wall.<sup>3)</sup>
- Frozen food must not be re-frozen once it has been thawed out.
- Store pre-packed frozen food in accordance with the frozen food manufacturer's instructions.
- Appliance's manufacturers storage recommendations should be strictly adhered to. Refer to relevant instructions.
- Do not place carbonated or fizzy drinks in the freezer compartment as it creates

pressure on the container, which may cause it to explode, resulting in damage to the appliance.

- Ice lollies can cause frost burns if consumed straight from the appliance.

### Care and cleaning

- Before maintenance, switch off the appliance and disconnect the mains plug from the mains socket.
- Do not clean the appliance with metal objects.
- Do not use sharp objects to remove frost from the appliance. Use a plastic scraper.
- Never use a hair drier or other heating appliances to speed up defrosting. Excessive heat may damage the plastic interior, and humidity could enter the electric system making it live.

### Installation

**Important!** For electrical connection carefully follow the instructions given in specific paragraphs.

- Unpack the appliance and check if there are damages on it. Do not connect the appliance if it is damaged. Report possible damages immediately to the place you bought it. In that case retain packing.
- It is advisable to wait at least four hours before connecting the appliance to allow the oil to flow back in the compressor.
- Adequate air circulation should be around the appliance, lacking this leads to overheating. To achieve sufficient ventilation follow the instructions relevant to installation.
- Wherever possible the back of the product should be against a wall to avoid touching or catching warm parts (compressor, condenser) to prevent possible burn.
- The appliance must not be located close to radiators or cookers.
- Make sure that the mains plug is accessible after the installation of the appliance.
- Connect to potable water supply only.<sup>4)</sup>

1) If the lamp cover is foreseen

2) If the lamp is foreseen


3) If the appliance is Frost Free


4) If a water connection is foreseen

**Service**

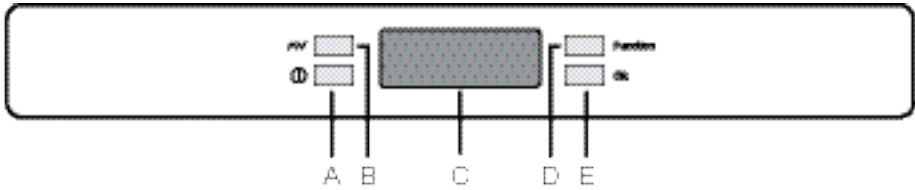
- Any electrical work required to do the servicing of the appliance should be carried out by a qualified electrician or competent person.
- This product must be serviced by an authorized Service Centre, and only genuine spare parts must be used.

**Environment Protection**

 This appliance does not contain gasses which could damage the ozone layer, in

either its refrigerant circuit or insulation materials. The appliance shall not be discarded together with the urban refuse and rubbish. The insulation foam contains flammable gases: the appliance shall be disposed according to the applicable regulations to obtain from your local authorities. Avoid damaging the cooling unit, especially at the rear near the heat exchanger. The materials used on this appliance marked by the symbol  are recyclable.





**CONTROL PANEL**



- A - Appliance button ON/OFF
- B - Temperature regulation button
- C - Temperature and function indicator
- D - Function button
- E - Confirmation button

**Display**



-  Temperature alarm and door open alarm (some models)
-  Negative Temperature sign
-  Temperature
-  Child Lock is activated
-  Function timer is activated
-  Drinks Chill is activated
-  Action Freeze is activated
-  Eco Mode is activated

**Switching on**

Insert the plug into the power outlet. If the display is not illuminated, press button (A), to start the appliance.

For optimal food storage select the Eco Mode and the temperature is set to -18°C in the freezer.

- Wait until the temperature reach -18°C, before loading food into the freezer compartment.
- To select a different temperature see "Temperature regulation".

**Important!** If the door remains open for some minutes, the light will turn off automatically. The light is reset by closing and opening the door.

### Switching off

The appliance is shut off by pressing button (A) until a countdown from -3 -2 -1 is completed.

### Temperature regulation

The temperature may be changed by pressing the button (B).

The current temperature setting flashes and by pressing button (B) again the set temperature is possible to change in steps of one degree.






After some seconds the storage temperature is shown again.

The selected-temperature will be reached within 24 hours.


**Important!** At start up the displayed temperature don't correspond with the set temperature until stabilized (within 24 hours).

### Functions Menu

By activating the key (D) the functions menu is operating. Each function could be confirmed by pressing button (E). If there is no confirmation after some seconds the display will go out from the menu and return in normal condition. The following functions are indicated:


-  Temperature alarm
-  Child Lock function
-  Eco Mode function
-  Action Freeze function
-  Drinks Chill function

### Child Lock Function

The Child Lock function is activated by pressing key (D) (several times if necessary) until the corresponding icon appears . You must confirm the choice by pressing key (E) within few seconds. You will hear the buzzer and the icon remains lighted. In this condition any possible operation through the keys does not cause any change as long as this function is activated.

It is possible to de-activate the function at any time by pressing key (D) until the corresponding icon will flash and then key (E).

### Eco Mode Function


The Eco Mode function is activated by pressing key D (several times if necessary) until the corresponding icon appears  (or setting the temperature at -18°C).

You must confirm the choice by pressing key E within few seconds. You will hear the buzzer and the icon remains lighted.

In this condition the chosen temperatures are automatically set (-18°C), in the best conditions for storing food.

It is possible to de-activate the function at any time by changing the selected temperature in the compartment.

### Action Freeze Function

To freeze fresh foods, press button (D) repeatedly to access the Action Freeze function. 

Confirm the selection by pressing button (E), and you will hear the buzzer and the display will show rotating lines.


To achieve maximum freezing capacity, allow a pre-cooling period of 24 hours, before placing the fresh food in all the compartment except the bottom drawer.

The freezing process takes 24 hours. During this period do not put other foods in the freezer.

This function stops automatically after 52 hours.





It is possible to deactivate the function at any time by pressing button (D) until the corresponding icon will flash and then button (E).

### Drinks Chill Function

The Drinks Chill function is to be used as a safety warning when placing bottles in the freezer compartment. It is activated by pressing key (D) (several times if necessary) until the corresponding icon appears . You must confirm the choice by pressing key (E) within few seconds. You will hear the buzzer and the icon remains lighted.

In this condition it operates a timer with a default value of 30 min. and it could change from 1 to 90 min., by pressing key (B) you select the minutes needed.


At the end of the selected time there are the following indications:

- on the indicator  the symbol  flashing
- the icon  flashing
- the icon  flashing
- sounding of an acoustic alarm until key (E) is pressed

At this point bear in mind to remove the drinks contained in the freezer compartment. It is possible to deactivate the function at any time by pressing key (D) until the corresponding icon will flash and then key (E).

### Temperature alarm

Temperature increase in the freezer compartment (for example due to an power failure or door is open) is indicated by:

- flashing temperature
- flashing icon 


## FIRST USE

### Cleaning the interior

Before using the appliance for the first time, wash the interior and all internal accessories with lukewarm water and some neutral soap so as to remove the typical smell of a brand-new product, then dry thoroughly.

## DAILY USE

### Use of the freezer compartment

The symbol  means that the freezer is suitable for freezing fresh food and for long term storage. The temperature may be regulated between -15°C and -24°C. We suggest setting the temperature to -18°C, which is optimal for energy consumption and frozen food storage.

**Important!** At start-up the displayed temperature don't correspond with the set temperature until stabilised (within 24 hours).

Difference between the temperature displayed and temperature setting is normal. Especially when:

- a new setting has recently been selected
- the door has been left open for a long time
- warm food has been placed in the compartment.

Difference until 5°C inside the compartment are quite normal.


- acoustic buzzer

Press button (E) to cancel the acoustic alarm. When normal conditions are restored:

- the acoustic alarm will stop
  - the temperature value continues to flash
- Press button (E) to show the warmest food temperature reached. After some seconds the temperature indicator returns to normal operation and shows actual temperature.

### Door open alarm

An acoustic alarm will sound if the door is left open for a few minutes. The door open alarm conditions are indicated by:

- flashing icon 
- acoustic buzzer

Press button (E) to cancel the acoustic alarm. When normal conditions are restored (door closed), the acoustic alarm will stop.

**Important!** Do not use detergents or abrasive powders, as these will damage the finish.

During normal functioning the indicator shows the warmest temperature inside the compartment.

### Storage of frozen food

When first starting-up or after a period out of use, before putting the products in the compartment let the appliance run at least 2 hours.

The freezer baskets ensure that it is quick and easy to find the food package you want. If large quantities of food are to be stored, remove all drawers except for the bottom basket which needs to be in place to provide good air circulation. On all shelves except for the top shelf it is possible to place food that protrude until load limit stated on the side of the middle section



**Important!** In the event of accidental defrosting, for example due to a power failure, if the power has been off for longer than the value shown in the technical characteristics chart under "rising time", the defrosted food must be consumed quickly or cooked immediately and then re-frozen (after cooling).

### Thawing

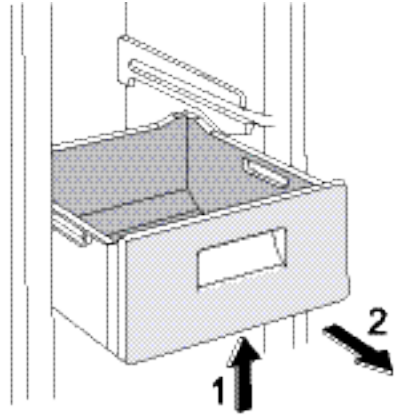
Deep-frozen or frozen food, prior to being used, can be thawed in the refrigerator compartment or at room temperature, depending on the time available for this operation. Small pieces may even be cooked still frozen, directly from the freezer: in this case, cooking will take longer.

### Removal of freezing baskets from the freezer

The freezing baskets have a limit stop to prevent their accidental removal or falling out. At the time of its removal from the freezer, pull the basket towards yourself and, upon

reaching the end point, remove the basket by tilting its front upwards.

At the time of putting it back, slightly lift the front of the basket to insert it into the freezer. Once you are over the end points, push the baskets back in their position.



## HELPFUL HINTS AND TIPS

### Hints for freezing

To help you make the most of the freezing process, here are some important hints:

- the maximum quantity of food which can be frozen in 24 hrs. is shown on the rating plate;
- the freezing process takes 24 hours. No further food to be frozen should be added during this period;
- only freeze top quality, fresh and thoroughly cleaned, foodstuffs;
- prepare food in small portions to enable it to be rapidly and completely frozen and to make it possible subsequently to thaw only the quantity required;
- wrap up the food in aluminium foil or polythene and make sure that the packages are airtight;
- do not allow fresh, unfrozen food to touch food which is already frozen, thus avoiding a rise in temperature of the latter;
- lean foods store better and longer than fatty ones; salt reduces the storage life of food;

- water ices, if consumed immediately after removal from the freezer compartment, can possibly cause the skin to be freeze burnt;
- it is advisable to show the freezing in date on each individual pack to enable you to keep tab of the storage time.

### Hints for storage of frozen food

To obtain the best performance from this appliance, you should:

- make sure that the commercially frozen foodstuffs were adequately stored by the retailer;
- be sure that frozen foodstuffs are transferred from the foodstore to the freezer in the shortest possible time;
- not open the door frequently or leave it open longer than absolutely necessary.
- Once defrosted, food deteriorates rapidly and cannot be refrozen.
- Do not exceed the storage period indicated by the food manufacturer.

## CARE AND CLEANING

**Caution!** Unplug the appliance before carrying out any maintenance operation.

This appliance contains hydrocarbons in its cooling unit; maintenance and re-charging must therefore only be carried out by authorized technicians.

### Periodic cleaning

The equipment has to be cleaned regularly:

- clean the inside and accessories with lukewarm water and some neutral soap.
- regularly check the door seals and wipe clean to ensure they are clean and free from debris.
- rinse and dry thoroughly.

**Important!** Do not pull, move or damage any pipes and/or cables inside the cabinet. Never use detergents, abrasive powders, highly perfumed cleaning products or wax polishes to clean the interior as this will damage the surface and leave a strong odour.

Clean the condenser (black grill) and the compressor at the back of the appliance with a brush or a vacuum cleaner. This operation will improve the performance of the appliance and save energy consumption.

**Important!** Take care of not to damage the cooling system.

**Important!** When moving the cabinet, lift it by the front edge to avoid scratching the floor.

Many proprietary kitchen surface cleaners contain chemicals that can attack/damage the plastics used in this appliance. For this reason use a soft cloth rinsed in warm water and neutral soap emulsion for cleaning external surfaces.

**Important!** Do not use detergents or abrasive paste as these will damage the paint, or stainless steel anti finger print coating.

After cleaning, reconnect the equipment to the mains supply.

## WHAT TO DO IF...

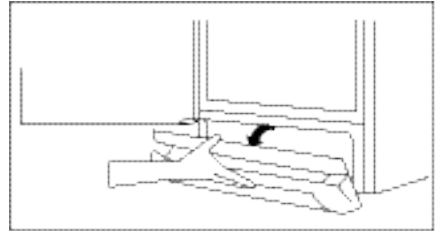
During operation of the appliance some smaller but annoying trouble can often occur,

### Cleaning the ventilation grille

The ventilation grille can be removed for washing.

Make sure the door is open and then:

1. Loosen the upper edge of the grille by pulling outward/downward.
2. Pull the grille straight out to completely remove it.
3. Vacuum clean under the cabinet.



### Defrosting of the freezer

The freezer compartment of this model, on the other hand, is a "no frost" type. This means that there is no buildup of frost when it is in operation, neither on the internal walls nor on the foods.

The absence of frost is due to the continuous circulation of cold air inside the compartment, driven by an automatically controlled fan.

### Periods of non-operation

When the appliance is not in use for long periods, take the following precautions:

1. disconnect the appliance from electricity supply
2. remove all food
3. clean the appliance and all accessories
4. leave the door/doors open to prevent unpleasant smells.

**Important!** If the cabinet will be kept on, ask somebody to check it once in a while to prevent the food inside from spoiling in case of a power failure.

which does not require calling a technician out. In the following chart information is given



about them to avoid unnecessary charges on service.

**Important!** The operation of the appliance goes with certain sounds (compressor and circulating sound). This not means a trouble, but a normal operation.

**Important!** The appliance operates discontinuously, so the stopping of compressor does not mean being no current. That is why you must not touch the electrical parts of the appliance before breaking the circuit.

Problem	Possible cause	Solution
<b>The appliance is noisy.</b>	The appliance is not supported properly.	Check if the appliance stands stable (all feet and wheels should be on the floor). Refer to "Levelling".
	The cushion spacers located between the back of the cabinet and the pipes come loose.	Put them back in place again.
<b>The buzzer sounds. The Alarm light flashing.</b>	The temperature in the freezer is too high.	Refer to "High Temperature Alarm".
	The door is not closed correctly.	Refer to "Door open alarm".
<b>Upper or lower square is shown in the temperature display</b>	An error has occurred in measuring the temperature.	Call your service representative (the cooling system will continue to keep food products cold, but temperature adjustment will not be possible).
<b>The compressor runs continuously.</b>	The Temperature regulator may be set incorrectly.	Set a warmer temperature.
	The door is not closed correctly.	Refer to "Closing the door".
	The door has been opened too frequently.	Do not keep the door open longer than necessary.
	The food temperature is too high.	Let the food temperature decrease to room temperature before storage.
	The room temperature is too high.	Decrease the room temperature.
<b>There is too much frost and ice.</b>	Food are not wrapped properly.	Wrap the food better.
	The door is not closed correctly.	Refer to "Closing the door".
	The door gasket is deformed or dirty.	Refer to "Closing the door".
	The Temperature regulator may be set incorrectly.	Set a higher temperature.
<b>The temperature in the appliance is too cold.</b>	The Temperature regulator may be set incorrectly.	Set a warmer temperature.
<b>The temperature in the appliance is too warm.</b>	The Temperature regulator may be set incorrectly.	Set a colder temperature.
	The door is not closed correctly.	Refer to "Closing the door".
	The food temperature is too high.	Let the food temperature decrease to room temperature before storage.
<b>The temperature in the freezer is too warm.</b>	Food is too near to each other.	Store food so that there is cold air circulation.

Problem	Possible cause	Solution
	Large quantities of food to be frozen were put in at the same time.	Insert smaller quantities of food to be frozen at the same time.
<b>The appliance does not operate.</b>	The appliance is switched off.	Switch on the appliance.
	The mains plug is not connected to the mains socket correctly.	Connect the mains plug to the mains socket correctly.
	The appliance has no power. There is no voltage in the mains socket.	Connect another electrical appliance to the mains socket. Check fuse. Contact a qualified electrician.
<b>The lamp does not work.</b>	The lamp is defective.	Refer to "Replacing the lamp".
	The door has been open too long.	Close the door.
<b>Door interferes with ventilation grill.</b>	The appliance is not levelled.	Refer to "Levelling".
<b>Misaligned door.</b>	The appliance is not levelled.	Refer to "Levelling".

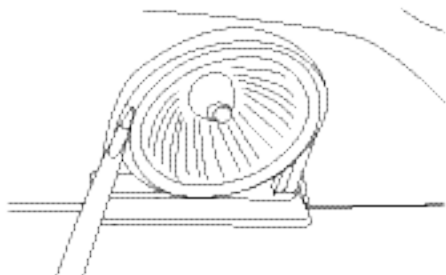
As much as the advice does not lead to result, call the nearest brand-mark service.

### Replacing the lamp

1. Disconnect the appliance from the power socket.
2. Disassemble the lamp by using a screwdriver in the recess on the lamp insert.
3. Assemble a new lamp by guiding it into a centred position and press until it snaps. Use a halogen bulb of the same type and specifically designed for household appliances, maximum rating of 20 W
4. Reconnect the appliance.

### Closing the door

1. Clean the door gaskets.
2. If necessary, adjust the door. Refer to "Installation".
3. If necessary, replace the defective door gaskets. Contact the Service Center.




## TECHNICAL DATA

		EUUF29400X	EUUF29405W EUUF29405X EUUF29405K	EUUF29406W EUUF29406X EUUF29406K	EUUF29412W EUUF29412X
Dimension					
	Height	1800 mm	1800 mm	1800 mm	1800 mm
	Width	595 mm	595 mm	595 mm	595 mm
	Depth	623 mm	623 mm	623 mm	623 mm
Rising Time		12 h	12 h	12 h	12 h

The technical information are situated in the rating plate on the internal left side of the appliance and in the energy label.

## INSTALLATION

 Read the "Safety Information" carefully for your safety and correct operation of the appliance before installing the appliance.

### Positioning

Install this appliance at a location where the ambient temperature corresponds to the climate class indicated on the rating plate of the appliance:

Climate class	Ambient temperature
SN	+10°C to + 32°C
N	+16°C to + 32°C
ST	+16°C to + 38°C
T	+16°C to + 43°C

### Location

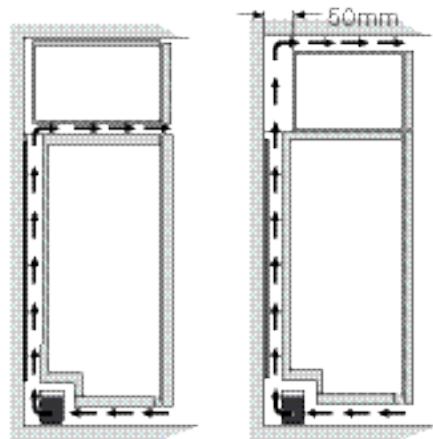
To ensure best performance, if the appliance is positioned below an overhanging wall unit, the minimum distance between the top of the cabinet and the wall unit must be at least 40 mm. Ideally, however, the appliance should not be positioned below overhanging wall units.

If the cabinet is placed in a corner and the side with the hinges facing the wall, the distance between the wall and the cabinet must be at least 150 mm to allow the door to open enough so that the equipment can be removed.

The ventilation space can be:

- directly above the appliance
- behind and above the top cupboard.

In this case, the space behind the top cupboard must be at least 50 mm deep.



### Electrical connection

Before plugging in, ensure that the voltage and frequency shown on the rating plate correspond to your domestic power supply.

The appliance must be earthed. The power supply cable plug is provided with a contact for this purpose. If the domestic power supply socket is not earthed, connect the appliance to a separate earth in compliance with current regulations, consulting a qualified electrician.

The manufacturer declines all responsibility if the above safety precautions are not observed.

This appliance complies with the E.E.C. Directives.

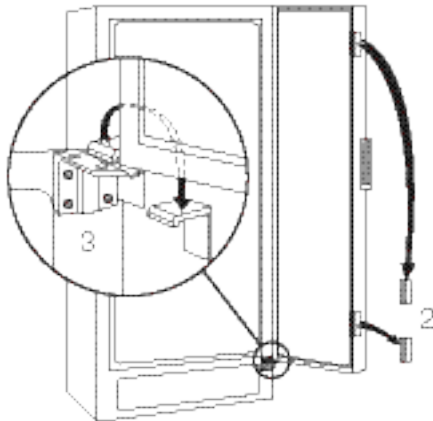
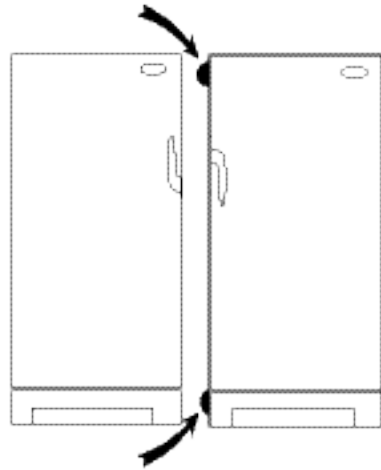
### Removing the transport support

Your appliance is equipped with transport support to secure the door during transportation.

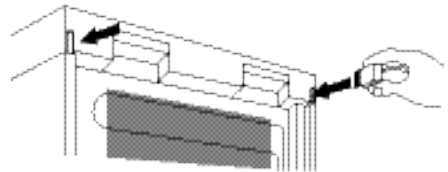
To remove them do these steps:

1. Open the door.
2. Remove the transport support from the door sides.
3. Remove the transport support from the lower hinge (some models).

**Important!** Some models are fitted with a silencing pad under the cabinet. Do not remove this pad.



Install the spacers on the back side of the panel.

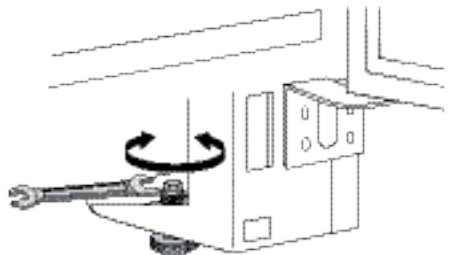


### Spacers

Install the spacers provided within the accessory bag as shown in the figures. When two appliances are placed beside each other, attach the adhesive spacers between the appliances.

### Levelling

When placing the appliance ensure that it stands level. If necessary adjust the feet using the adjustment spanner supplied.

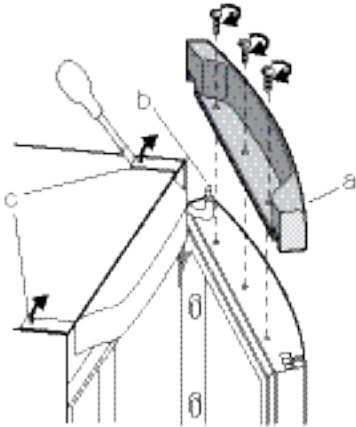


### Door reversibility

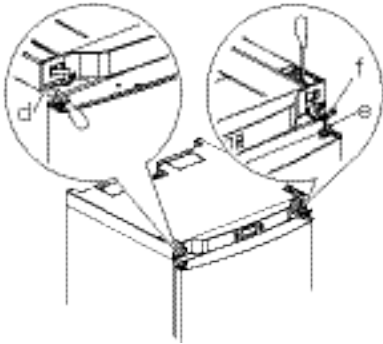
To change the opening direction of the door, do these steps:

1. Remove the plug from the power socket.
2. Remove the ventilation grille. Remove the filling and install it on the opposite side of the grille.

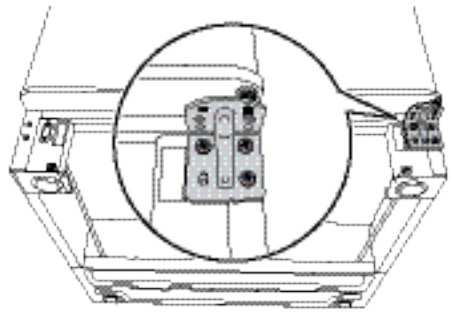
3. Lay the appliance back side down on a wooden support.
4. Unscrew and remove the front cover (a).
5. Unscrew the hinge pin (b) and remove the door.
6. Remove the two covers on the roof (c).



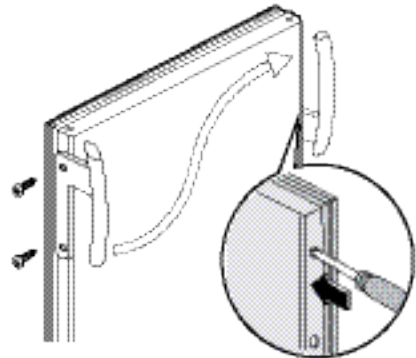
7. Remove the cover on the front (d).
8. Unscrew and move the door stopper (e) to the opposite side.
9. Unscrew and move the hinge (f) to the opposite side.




10. Unscrew the lower hinge. Move the pin to the other side. Screw on the lower hinge on the opposite side.



11. Tighten the pin with the adjustment spanner supplied.
12. Reassembly the door.
13. Screw on the hinge pin (b) on the opposite side.
14. Reassembly the covers (c) and (d) and the front cover (a).
15. Raise the appliance and install the ventilation grille.
16. Unscrew the handle. On the opposite side remove the hole covers by driving a 3-4 mm drift or drill into them. Install the handle. Fit the handle on to the opposite side by turning it one half circle. Install the hole covers provided within the accessory bag.




17. Put the cabinet in position.

 **Warning!** Reposition, level the appliance, wait for at least four hours and then connect it to the power socket.

Do a final check to make sure that:


- All screws are tightened.
- The magnetic seal adheres to the cabinet.
- The door opens and closes correctly.

 **Warning!** If the ambient temperature is cold (i.e. in Winter), the gasket may not

fit perfectly to the cabinet. In that case, wait for the natural fitting of the gasket.

## ENVIRONMENTAL CONCERNS

---

The symbol  on the product or on its packaging indicates that this product may not be treated as household waste. Instead it should be taken to the appropriate collection point for the recycling of electrical and electronic equipment. By ensuring this product is disposed of correctly, you will help prevent potential negative consequences for

the environment and human health, which could otherwise be caused by inappropriate waste handling of this product. For more detailed information about recycling of this product, please contact your local council, your household waste disposal service or the shop where you purchased the product.





[www.electrolux.com/shop](http://www.electrolux.com/shop)

