

Thinking of you

 **Electrolux**

User Manual

Fridge

ERE 39392 X

We were thinking of you
when we made this product

Welcome to the world of Electrolux

You've chosen a first class product from Electrolux, which hopefully will provide you with lots of pleasure in the future. Electrolux ambition is to offer a wide variety of quality products that would make your life even more comfortable. You can look at some examples on the cover in this manual. But now it's time to study this manual and start using and enjoying the benefits from your new machine. We promise that it'll make your life a little easier. Good luck!

The following symbols are used in this manual:



Important information concerning your personal safety and information on how to avoid damaging the appliance.




General information and tips



Environmental information



The symbol  on the product or on its packaging indicates that this product may not be treated as household waste. Instead it shall be handed over to the applicable collection point for the recycling of electrical and electronic equipment. By ensuring this product is disposed of correctly, you will help prevent potential negative consequences for the environment and human health, which could otherwise be caused by inappropriate waste handling of this product. For more detailed information about recycling of this product, please contact your local city office, your household waste disposal service or the shop where you purchased the product.

CONTENTS

Safety Information	6	Health and safety guidelines	17
Use	9	Maintenance	18
Cleaning the interior	9	Internal cleaning	18
Control panel	9	External cleaning	18
Display	10	When the appliance is not in use	18
First switch on	10	Defrosting	19
Switching off	10	Interior light	19
Temperature regulation	10	Something not working	20
Functions menu	11	Technical specifications	21
Ambient Temperature Function	11	Installation	22
Child Lock Function	11	Positioning	22
Shopping Function	11	Rear spacers	23
Eco Mode Function	12	Electrical connections	23
Quick Chill Function	12	Shelf holders	25
Use of the fridge Compartment	12	Door reversibility	25
Holiday Function "H"	13	Guarantee/Customer Service	27
Fresh food refrigeration	13	Service and Spare Parts	27
Quick Chill Shelf	14	Customer Care	28
Bottle and Can Holder	14	European Guarantee	29
Dismantling of the Bottle and Can Holder	14	www.electrolux.com	30
Installation of the carbon filter	15		
Change of the carbon filter	15		
Movable shelves	16		
Positioning the door shelves	16		
Bottle rack	16		

i SAFETY INFORMATION

It is most important that this instruction book should be retained with the appliance for future reference. Should the appliance be sold or transferred to another owner, or should you move house and leave the appliance, always ensure that the book is supplied with the appliance in order that the new owner can be acquainted with the functioning of the appliance and the relevant warnings.

If this appliance featuring magnetic door seals is to replace an older appliance having a spring lock (latch) on the door or lid, be sure to make that spring lock unusable before you discard the old appliance. This will prevent it from becoming a death-trap for a child.

These warnings are provided in the interest of safety. You must read them carefully before installing or using the appliance.

General Safety

- This appliance is designed to be operated by adults. Children should not be allowed to tamper with the controls or play with the product.
- It is dangerous to alter the specifications or modify this product in any way.
- Before any cleaning or maintenance work is carried out, be sure to switch off and unplug the appliance.
- This appliance is heavy. Care should be taken when moving it
- Ice lollies can cause frost burns if consumed straight from the appliance.
- **Take utmost care when handling your appliance so as not to cause any damages to the cooling unit with consequent possible fluid leakages.**
- **The appliance must not be located close to radiators or gas cookers.**
- **Avoid prolonged exposure of the appliance to direct sunlight.**
- **There must be adequate ventilation round the back of the appliance and any damage to the refrigerant circuit must be avoided.**
- **For freezers only (except built-in models): an ideal location is the cellar or basement.**
- **Do not use other electrical appliances (such as ice cream makers) inside of refrigerating appliances.**

Service/Repair

- Any electrical work required to install this appliance should be carried out by a qualified electrician or competent person
- This product should be serviced by an authorized Service Centre, and only genuine spare parts should be used.
- Under no circumstances should you attempt to repair the appliance yourself. Repairs carried out by inexperienced persons may cause injury or more serious malfunctioning. Refer to your local

Service Centre, and always insist on genuine spare parts.

- This appliance contains hydrocarbons in its cooling unit; maintenance and recharging must therefore only be carried out by authorized technicians.

Use

- The domestic refrigerators and freezers are designed to be used specifically for the storage of edible foodstuffs only.
- Best performance is obtained with ambient temperature between +18°C and +43°C (class T); +18°C and +38°C (class ST); +16°C and +32°C (class N); +10°C and +32°C (class SN). The class of your appliance is shown on its rating plate.

Warning: when the ambient temperature is not included within the range indicated for the class of this appliance, the following instructions must be observed: when the ambient temperature drops below the minimum level, the storage temperature in the freezer compartment cannot be guaranteed; therefore it is advisable to use the food stored as soon as possible.

- Frozen food must not be re-frozen once it has been thawed out.
- Manufacturers' storage recommendations should be strictly adhered to. Refer to relevant instructions.

- The inner lining of the appliance consists of channels through which the refrigerant passes. If these should be punctured this would damage the appliance beyond repair and cause food loss. **DO NOT USE SHARP INSTRUMENTS** to scrape off frost or ice. Frost may be removed by using the scraper provided. Under no circumstances should solid ice be forced off the liner. Solid ice should be allowed to thaw when defrosting the appliance.
- Do not place carbonated or fizzy drinks in the freezer as it creates pressure on the container, which may cause it to explode, resulting in damage to the appliance. Do not use a mechanical device or any artificial means to speed up the thawing process other than those recommended by the manufacturer. Never use metal objects for cleaning your appliance as it may get damaged.

Installation

- During normal operation, the condenser and compressor at the back of the appliance heat up considerably. For safety reasons, minimum ventilation must be as shown in the instructions.

Attention: keep ventilation openings clear of obstruction.


- Care must be taken to ensure that the appliance does not stand on the electrical supply cable.

Important: if the supply cord is damaged, it must be replaced by a special cord or assembly available from the manufacturer or its service agent.

- If the appliance is transported horizontally, it is possible that the oil contained in the compressor flows in the refrigerant circuit. It is advisable to wait at least two hours before connecting the appliance to allow the oil to flow back in the compressor.
- There are working parts in this product which heat up. Always ensure that there is adequate ventilation as a failure to do this will result in component failure and possible food loss. See installation instructions.
- Parts which heat up should not be exposed. Wherever possible the back of the product should be against a wall.




Environment Protection

This appliance does not contain gasses which could damage the ozone layer, in either its refrigerant circuit or insulation materials. The appliance shall not be discarded together with the urban refuse and rubbish. Avoid damaging the cooling unit, especially at the rear near the heat exchanger. Information on your local disposal sites may be obtained from municipal authorities. The materials used on this appliance marked by the symbol  are recyclable.

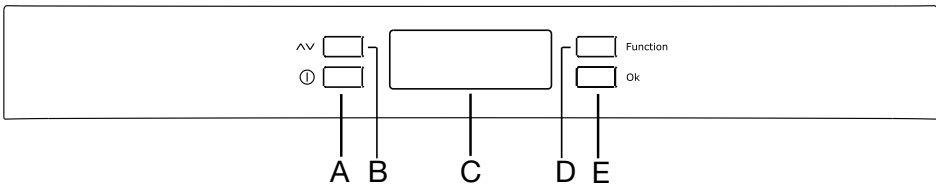
i USE

Cleaning the interior

Before using the appliance for the first time, wash the interior and all internal accessories with luke-warm water and some neutral soap so as to remove the typical smell of a brand-new product, then dry thoroughly.

 **Do not use detergents or abrasive powders, as these will damage the finish.**

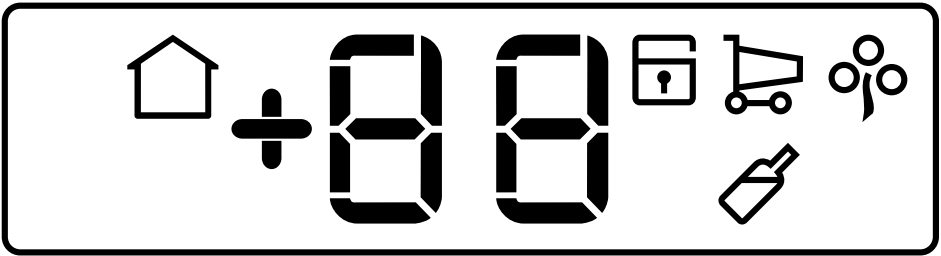
Control panel










- A - Appliance button ON/OFF
- B - Temperature regulation button
- C - Temperature and function indicator

- D - Function button
- E - Confirmation button

Display



-  If on the temperature indicated is the ambient temperature
-  Positive Temperature indicator
-  Temperature indicator

-  If on the Child Lock function is on
-  If on the Shopping function is on
-  If on the Eco Mode function is on
-  If on the Quick Chill function is on

First switch on

After plugging the plug into the power outlet, if the display is not illuminated, press key (A), appliance on.

For a correct storage of the food select the Eco Mode function that guarantee the following temperature is set:

+5°C in the fridge

- To select a different temperature see "Temperature regulation".



Important

If the door remains ajar for some minutes, the internal lighting will turn off electronically; after this, the lighting function will be reset by closing and opening the door itself.

Switching off

The appliance is shut off by pressing key (A) for more than 1 second. During this, a countdown of the temperature from -3 -2 -1 will be shown.

Temperature regulation

The temperature may be regulated by pressing the key B.

By pressing the key B the current temperature setting flashes on the indicator and by pressing the key B again it is possible to change it.

You confirm the choice of the temperature either by pressing the key E, (you will hear the buzzer) or by waiting for some seconds (you will not hear the buzzer).

Then the indicator shows again the inside compartment temperature.

The newly selected-temperature must be reached after 24 hours.

After a long period out of use it is not necessary to set again the temperature because it remains stored.

**Attention!**






During the stability period by the first starting the temperature displayed can not correspond to the setting temperature. During this time it is possible that the temperature displayed is different than the setting temperature.

Functions Menu


By activating the key D the functions menu is operating.

Each function could be confirmed by pressing button E. If there is no confirmation after some seconds the display will go out from the menu and return in normal condition.

The following functions are indicated:


-  Ambient Temperature
-  Child Lock function
-  Shopping function
-  Eco Mode function
-  Quick Chill function

Ambient Temperature Function

The ambient temperature function is activated by pressing key D (several times if necessary) until the corresponding icon appears  . In this condition the displayed temperature is the ambient temperature. You must confirm the choice by pressing key E within few seconds. You will hear the buzzer and the icon remains lighted.

It is possible to de-activate the function at any time by pressing key D until the corresponding icon will flash and then key E

Child Lock Function

The Child Lock function is activated by pressing key D (several times if necessary) until the corresponding icon appears .


You must confirm the choice by pressing key E within few seconds. You will hear the buzzer and the icon remains lighted.

In this condition any possible operation through the keys does not cause any change as long as this function is activated.

It is possible to de-activate the function at any time by pressing key D until the corresponding icon will flash and then key E.

Shopping Function

If you need to insert a large amount of warm food, for example after doing the grocery shopping, we suggest activating the Shopping function to chill the products more rapidly and to avoid warming the other food which is already in the refrigerator.


The Shopping function is activated by pressing key D (several times if necessary) until the corresponding icon appears .

You must confirm the choice by pressing key E within few seconds. You will hear the buzzer and the icon remains lighted.

The Shopping function shuts off automatically after approximately 6 hours.

It is possible to de-activate the function at any time by pressing key D until the corresponding icon will flash and then key E.

Eco Mode Function

The Eco Mode function is activated by pressing key D (several times if necessary) until the corresponding icon appears  (or setting the temperature at +5°C).

You must confirm the choice by pressing key E within few seconds.


You will hear the buzzer and the icon remains lighted.

In this condition the chosen temperatures are automatically set (+5°C), in the best conditions for storing food.

It is possible to de-activate the function at any time by changing the selected temperature in the compartment.

Quick Chill Function

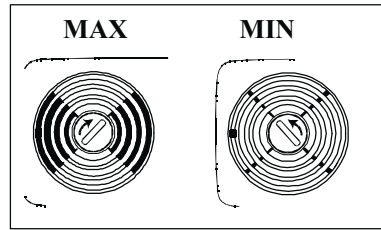
The Quick Chill function permits the rapid cooling of cans and bottles taking forced cold air into them. Put the drinks on the Quick Chill shelf and open the air lever till the maximum.

The Quick Chill function is activated by pressing key D (several times if necessary) until the corresponding icon appears .

You must confirm the choice by pressing key E within few seconds.

You will hear the buzzer and the icon remains lighted.

The Quick Chill function shuts off automatically after approximately 6 hours. When the cooling is finished deactivate the function by pressing key D until the corresponding icon will flash, then key E and dispose the air lever to the minimum.



Use of the fridge compartment

The temperature of this compartment may be regulated between +2°C and +8°C.

During normal functioning the indicator shows the temperature inside the fridge.

Attention!

Difference between the temperature displayed and temperature setting is normal. Especially when:

- a new setting has recently been selected
- the door has been left open for a long time
- warm food has been placed in the compartment.

Holiday Function “H”

The Holiday function sets the temperature at + 15°C.

This function allows you to keep the refrigerator shut and empty during a long holiday period (e. g. the summer holidays) without the formation of a bad smell.

The Holiday Function H may be regulated by pressing the key B. By pressing the key B the current temperature setting flashes on the indicator. Press the key B again. When on the display appears the letter H confirm the choice of the temperature or by pressing the key E, (you will hear the buzzer) or by waiting for some seconds (you will not hear the buzzer). Now the refrigerator is in the Holiday function in the energy- saving mode and the indicator shows the letter H. It is possible to de-activate the function at any time by changing the selected temperature in the compartment.



Attention!

The fridge compartment must be empty with Holiday function on.

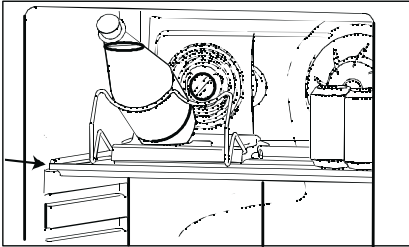
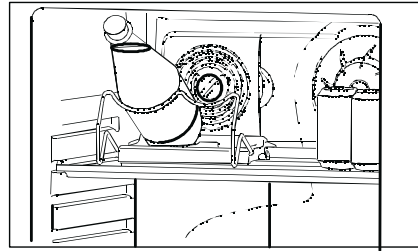
Fresh food refrigeration

To obtain the best performance:

- do not store warm food or evaporating liquids in the refrigerator;
- do cover or wrap the food, particularly if it has a strong flavour.
- Position food so that air can circulate freely round it.

Quick Chill Shelf

The Quick Chill Shelf can be placed in one of the upper grooves. To maintain the best performance the shelf should be placed in the second groove from the top.

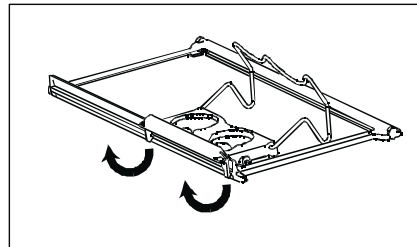
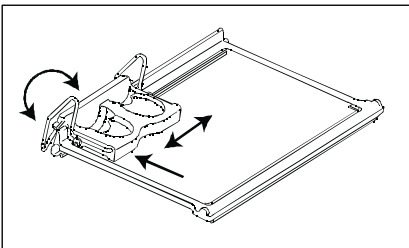


Bottle and Can Holder

The side of the bottle and can holder is moveable to enable a more flexible placement of cans and bottles in front of the grid. To allow the holder to be moved easier when moving sideways, press the shelf backwards. The bottle support can be pulled out when chilling larger bottles.

Dismantling of the Bottle and Can Holder


1. Take out the Quick Chill Shelf with holder from the cabinet.
2. To loosen the holder from the shelf, bend the hooks/brackets that surround the backside of the shelf.

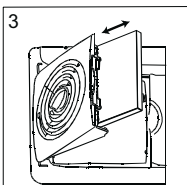
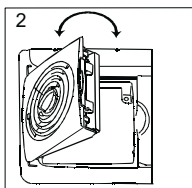
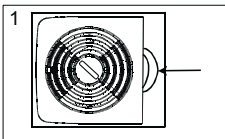


Installation of the carbon filter

On delivery the carbon filter is placed in a plastic bag to secure the length of life of the carbon filter. The filter should be placed behind the grill before the cabinet is turned on.

1. The cover can be opened by simultaneously pressing the lever on the right of grill (1) and turning the cover outward (2).
2. The carbon filter is then mounted in the slot found in the back of the cover (3).


 The filter should be handled carefully so fragments don't loosen from the surface.

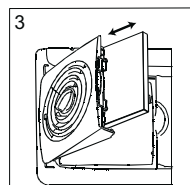
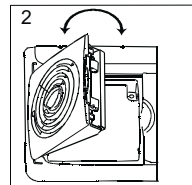
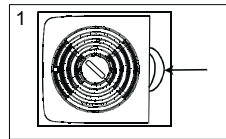


Change of the carbon filter

To maintain the best performance the carbon filter should be changed once a year with normal usage. New carbon filters can be purchased from your local dealer.

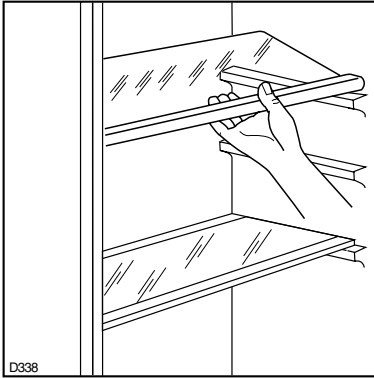
1. The filter is placed behind the grill and can be reached by opening the cover. The cover can be opened by simultaneously pressing the lever on the right of the grill (1) and turning the cover outward (2).
2. The carbon filter is then pulled out of its slot (3).
3. The new carbon filter is placed in the existing slot.

 The filter should be handled carefully so fragments don't loosen from the surface.



Movable shelves

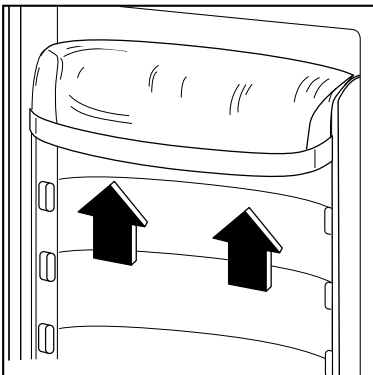
The walls of the refrigerator are equipped with a series of runners so that the shelves can be positioned as desired.



Positioning the door shelves

To permit storage of food packages of various sizes, the door shelves can be placed at different heights.

To make these adjustments proceed as follows: Gradually pull the shelf in the direction of the arrows until it comes free, then reposition as required.

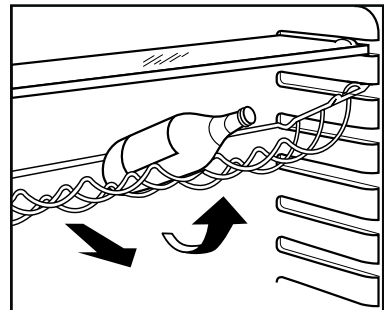
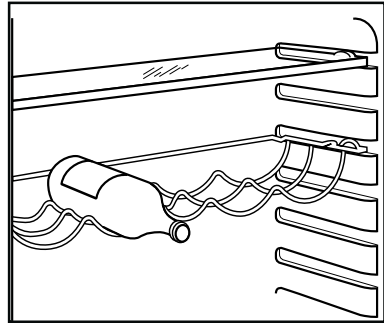


Bottle rack

Place bottles in the rack with the bottleneck to the front.

Important: Only store unopened bottles horizontally. The bottle rack can be tilted for storing opened bottles.

To do this pull the bottle rack forward until it can be tilted upwards, then slide the front support into the next level up.



HEALTH AND SAFETY GUIDELINES

Because of consumer demand, preservatives have been removed from many pre-prepared foods. This together with the changes in shopping habits to a once-a-week shop, mean that safe handling and storage of food is even more important than ever.

The following tips should help you to ensure that the food in your home is in as perfect condition as possible.

- Keep the time between buying chilled food and placing it in your fridge as short as possible. Tests showed that the temperature of 1 litre of orange juice rose to 22°C in an hour between the supermarket and home. It then took 11 hours to get down to 7°C in the refrigerator.
- Keep the refrigerator door closed as much as possible.
- Do not push food together too much, try to allow air to circulate around each item.
- Cool cooked food as quickly as possible but do NOT place in the refrigerator until cool. (Leave food in a place as cool as possible in order that it can then be placed in the refrigerator as soon as possible).
- Do NOT mix raw and cooked meat, they must be in separate containers. Take care not to let the meat juices drip onto other food. If the meat does drip, remove everything and clean thoroughly.
- Do not store food uncovered.
- Remove suspect food from your refrigerator and clean (refer to "Maintenance and Cleaning").
- Never allow spillages to dry and harden.
- Store eggs in the egg rack provided in the refrigerator door. Discard any broken or chipped eggs.
- Regularly check the refrigerator door seal to ensure that it is clean and free from debris.
- Always wash your hands with soapy water and dry them with a clean towel before handling food.
- Keep work surfaces clean and avoid cross contamination by not using the same work surface or knife, without washing them thoroughly in between.

MAINTENANCE



Before any maintenance or cleaning work is carried out, **DISCONNECT** the appliance from the **ELECTRICITY** supply.



Warning

This appliance contains hydrocarbons in its cooling unit; maintenance and recharging must therefore only be carried out by authorized technicians.

Internal cleaning

Clean the inside with warm water and bicarbonate of soda. (5ml to 0.5 litre of water). Rinse and dry thoroughly.

Do not pull, move or damage any pipes and /or cables inside the cabinet

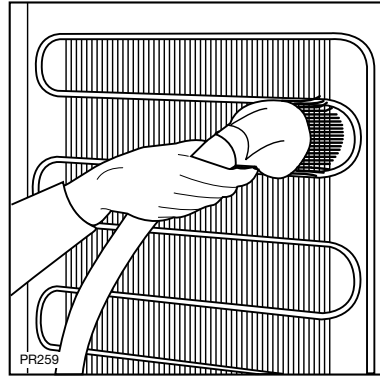
External cleaning

Many proprietary kitchen surface cleaners contain chemicals that can attack/damage the plastics used in this appliance. For this reason it is recommended that the outer casing of this appliance is only cleaned with warm water with a little washing-up liquid added.

An accumulation of dust will affect the performance of the appliance and cause excessive electricity consumption.

You **MUST** ensure that the appliance is switched OFF.

Once or twice a year dust the condenser (black grill) and the compressor at the back of the appliance, with a brush or vacuum cleaner, see diagram.



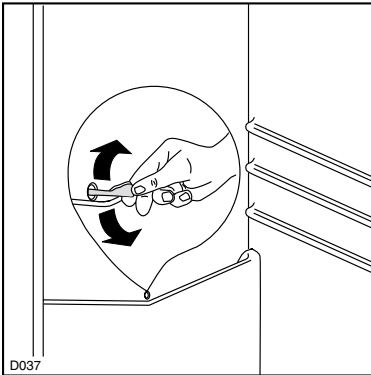
NEVER USE DETERGENTS, ABRASIVE POWDERS, HIGHLY PERFUMED CLEANING PRODUCTS OR WAX POLISHES, TO CLEAN THE INTERIOR AS THESE WILL DAMAGE THE SURFACE AND LEAVE A STRONG ODOUR.

When the appliance is not in use

When the appliance is not in use for long periods, disconnect from the electricity supply, empty all foods and clean the appliance, leaving the doors ajar to prevent unpleasant smells.

Defrosting

Frost is automatically eliminated from the evaporator of the refrigerator compartment every time the motor compressor stops, during normal use. The defrost water drains out through a trough into a special container at the back of the appliance, over the motor compressor, where it evaporates.



It is important to periodically clean the defrost water drain hole in the middle of the refrigerator compartment channel to prevent the water overflowing and dripping onto the food inside. Use the special cleaner provided, which you will find already inserted into the drain hole.

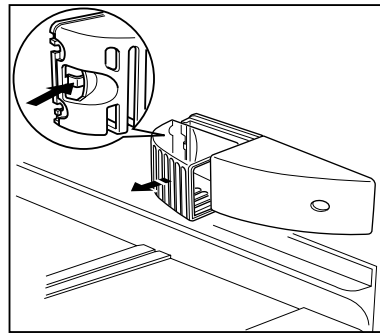
Interior light

If it becomes necessary to replace the lamp, press on the rear hook and at the same time slide the cover in the direction indicated by the arrow.



Attention

Replace the lamp with one of the same power (the maximum power is shown on the light diffuser).



SOMETHING NOT WORKING

Important: If you call out an engineer to a fault listed below, or to repair a fault caused by incorrect use or installation a charge will be made, even if the appliance is under guarantee.

Before contacting your local Service Force Centre, check the following points:

Symptom	Solution
No power to the appliance	Check there is power at the socket.
	Check there is not a power cut by checking the household lights.
	Check the fuse has not blown.
The light does not come on	Ensure that the bulb is correctly fitted.
	Replace the bulb if it has blown.
	Check the door light switch is not jammed.
The temperature in the fridge	Check the electronic control in the fridge is in the correct setting relative to ambient conditions.
	Check the ambient temperature is within the appliance's operating limits, please refer to the installation section in this instruction book. Relocate the appliance if necessary.
	Check if the electronic control knob gives the correct temperature control. See "Setting the temperature".
The compressor runs continuously	Check that the door is closed.
	Large quantities of food have recently been placed in the cabinet and/or door is frequently opened.
	Check that air ventilation is not obstructed.
	Refer to normal operating sounds.
Noise	Refer to normal operating sounds.
Water under the salad crispers	Check the drain hole is not blocked. (see Maintenance and Cleaning).

If, after the above checks, there is still a fault, call your local Service Force Centre. In guarantee customers should ensure that the above checks have been made as the engineer will make a charge if the fault is not a mechanical or electrical breakdown. Please note that proof of purchase is required for any in-guarantee service calls.

TECHNICAL SPECIFICATIONS

DIMENSIONS

Height	180	cm
Width	60	cm
Depth	64,5	cm

POWER SUPPLY VOLTAGE AND FREQUENCY 230-240 V / 50 Hz

TOTAL POWER ABSORBED 100 W

AVERAGE DAILY UNITS ELECTRICITY * 0,400 kWh

GROSS CAPACITY

Fridge 380 l

NET CAPACITY

Fridge 375 l

* This figure is based on standard test results in accordance with European Standard EN 153.

Actual consumption will depend on how the appliance is used and where it is located.

INSTALLATION

Warning

IF YOU ARE DISCARDING AN OLD APPLIANCE THAT HAS A LOCK OR CATCH ON THE DOOR, YOU MUST ENSURE THAT IT IS MADE UNUSABLE TO PREVENT YOUNG CHILDREN BEING TRAPPED INSIDE.

Depending upon the position which you choose for your appliance, you may wish to reverse the way in which the door opens. To do this, refer to instructions on "Door reversal directions" paragraph.

Positioning

This appliance should only be installed at a location where the ambient temperature corresponds to the climate classification indicated on the rating plate, which is located at the left on the inside of the appliance.

The following table shows which ambient temperature is correct for each climate classification:

SN +10°C to +32°C

N +16°C to +32°C

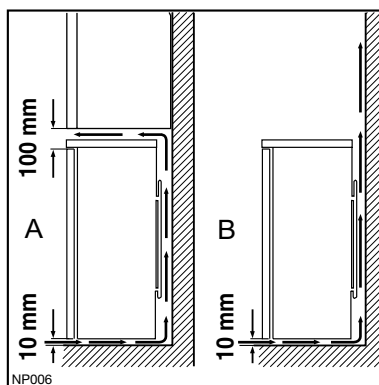
ST +18°C to +38°C

T +18°C to +43°C

It should be located in a dry atmosphere, out of direct sunlight and away from extreme temperature e.g. not next to a boiler or radiator, or in a very cold room e.g. an outhouse,

where the temperatures may fall below 10°C (50°F). If these temperatures are exceeded i.e. colder or warmer, then the appliance may not operate correctly.

You should also ensure that air can circulate freely around the back and the top of the cabinet. There must also be at least 100 mm (4") distance between the top of the cabinet and any overhanging kitchen furniture (A). Ideally, the appliance should not be positioned beneath overhanging furniture (B).

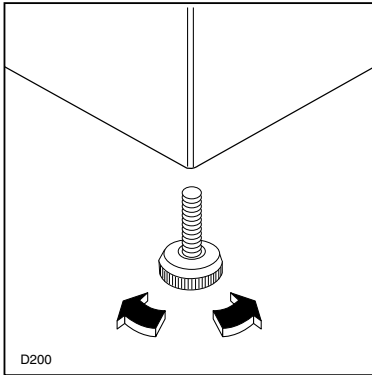


There should also be a gap of 25 mm either side of the appliance. Do not obstruct the space underneath. The back of the cabinet may be placed close to the wall but must not touch it. DO NOT install in places with restricted ventilation.

Adjust the level of the appliance by screwing out the adjustable foot, or feet, at the bottom of the cabinet using your fingers.

Important

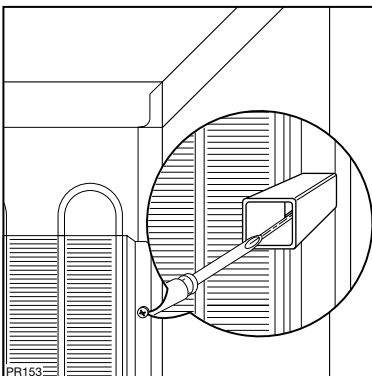
It must be possible to disconnect the appliance from the mains power supply; the plug must therefore be easily accessible after installation.



Rear spacers

In the bag with the documentation, there are two spacers which must be fitted as shown in the figure .

Slacken the screws and insert the spacer under the screw head, then re-tighten the screws.



Electrical connections

Any electrical work required to install this appliance should be carried out by a qualified electrician or competent person.

WARNING: THIS APPLIANCE MUST BE EARTHED.

The manufacturer declines any liability should this safety measure not be observed.

If the plug that is fitted to your appliance is not suitable for your socket outlet, it must be cut off and the appropriate plug fitted.

Remove the fuse from the cut off plug.

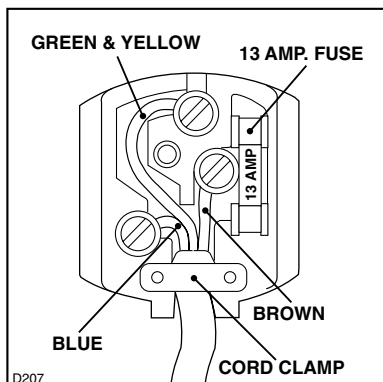
The cut off plug should then be disposed of to prevent the hazard of shocks in case it should be plugged into a 13amp socket in another part of your home.

Important

The wires in the mains lead are coloured in accordance with the following code:

Green and Yellow	- Earth
Blue	- Neutral
Brown	- Live

If you fit your own plug, the colours of the wires in the mains lead of your appliance may not correspond with the markings identifying the terminals in your plug, proceed as follows:



Connect the Green and Yellow (earth) wire to the terminal in the plug which is marked with the letter «E» or the earth symbol \oplus or coloured green and yellow.

Connect the blue (neutral) wire to the terminal in the plug which is marked with the letter «N» or coloured black.

Connect the brown (live) wire to the terminal in the plug which is marked with the letter «L» or coloured red.

The plug moulded onto the lead incorporates a fuse. For replacement, use a 13amp BSI362 fuse. Only ASTA or BSI approved fuses should be used.

The plug must not be used if the fuse cover/carrier is lost. The cover/carrier is indicated by the coloured insert at the base of the plug.

A replacement cover/carrier must be obtained from your local Electrolux Service Force Centre.

This appliance complies with the E.E.C. Directive No. 87/308 of 2.6.87 relative to radio interference suppression.

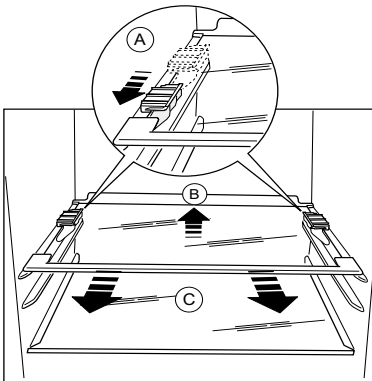
CE This appliance complies with the following E.E.C. Directives:

- **73/23 EEC of 19.2.73** (Low Voltage Directive) and subsequent modifications;
- **89/336 EEC of 3.5.89** (Electromagnetic Compatibility Directive) and subsequent modifications.

Please ensure that when the appliance is installed it is easily accessible for the engineer in the event of a breakdown.

Shelf holders

Your appliance is equipped with shelf retainers that make it possible to secure the shelves during transportation. To remove them proceed as follows: Move the shelf holders in the direction of the arrow, raise the shelf from the rear and push it forward until it is freed and remove the retainers.

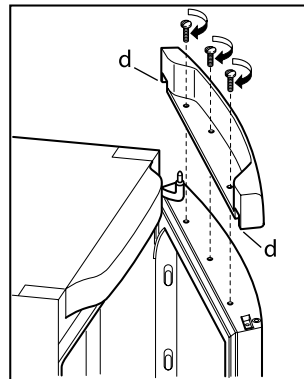


Door reversibility

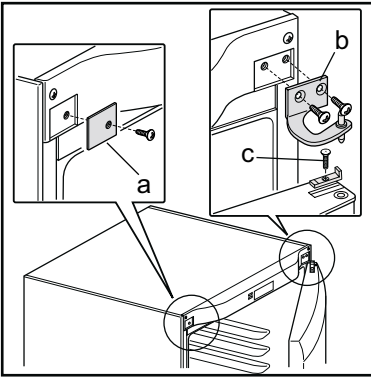
Before carrying out any operations, remove the plug from the power socket.

To change the opening direction of the door, proceed as follows:

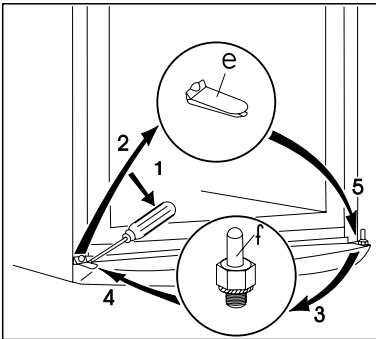
- To carry out the following operations, we suggest that this be made with another person that will keep a firm hold on the doors of the appliance during the operations.
- Open the door with the appliance in the upright position. Unscrew the screws and remove the upper door plastic trim.
- Remove the little plastic cover from the door plastic trim and refit on the opposite side (d).



- Lay down the appliance back side down.
- Remove the screw of the hinge cover plug (a).
- Unscrew the upper hinge and remove it (b).
- Unscrew the screw and remove the door stopper (c).
- Remove the door.

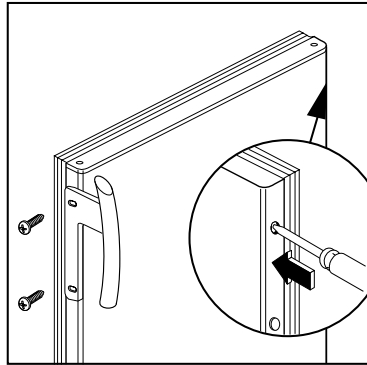


- Remove using a tool the cover (e) unscrew the lower hinge pivot (f) and place it on the opposite side.
- Reinsert the cover (e) on the opposite side.



- Reinsert the door .
- Pay attention that the front board of the doors are parallel to the front board of the top.
- Fix the door stopper on the opposite side.
- Position and fix the upper hinge (that can be found in the instruction for use bag) on the opposite side .
- Fix the screw of the new cover hinge (that can be found in the instruction for use bag).

- Lift up the appliance to vertical position.
- Open the door and reposition the upper door plastic trim with screws.



- Fix the handle on the opposite side, insert the plastic plugs into the holes left open that can be found in the instruction for use bag.

! Reposition, level the appliance, wait for at least two hours and then connect it to the power socket.

In case you do not want to carry out the above mentioned operations, contact the nearest After Sales Service Force. The After Sales Service specialist will carry out the reversibility of the doors at your cost.

! **Warning**

After having reversed the opening direction of the doors check that all the screws are properly tightened and that the magnetic seal adheres to the cabinet.

If the ambient temperature is cold (i.e. in Winter), the gasket may not fit perfectly to the cabinet. In that case, wait for the natural fitting of the gasket or accelerate this process by heating up the part involved with a normal hairdrier. Lay down the appliance back side down.

Guarantee/Customer Service

Standard guarantee conditions

We, Electrolux, undertake that if within 12 months of the date of the purchase this Electrolux appliance or any part thereof is proved to be defective by reason only of faulty workmanship or materials, we will, at our option repair or replace the same FREE OF CHARGE for labour, materials or carriage on condition that:

- The appliance has been correctly installed and used only on the electricity supply stated on the rating plate.
- The appliance has been used for normal domestic purposes only, and in accordance with the manufacturer's instructions.
- The appliance has not been serviced, maintained, repaired, taken apart or tampered with by any person not authorised by us.
- Electrolux Service Force Centre must undertake all service work under this guarantee
- Any appliance or defective part replaced shall become the Company's property.
- This guarantee is in addition to your statutory and other legal rights.

Exclusions

- Damage or calls resulting from transportation, improper use or neglect, the replacement of any light bulbs or removable parts of glass or plastic.
- Costs incurred for calls to put right an appliance which is improperly installed or

calls to appliances outside the United Kingdom.

- Appliances found to be in use within a commercial environment, plus those which are subject to rental agreements.
- Products of Electrolux manufacturer that are not marketed by Electrolux

Service and Spare Parts

In the event of your appliance requiring service, or if you wish to purchase spare parts, please contact your local Service Force Centre by telephoning

0870 5 929 929

Your telephone call will be automatically routed to the Service Force Centre covering your postcode area.

For the address of your local Service Force Centre and further information about Service Force, please visit the website at

www.serviceforce.co.uk

Before calling out an engineer, please ensure you have read the details under the heading "Something not working" When you contact the Service Force Centre you will need to give the following details:

1. Your name, address and postcode.
2. Your telephone number.
3. Clear concise details of the fault.
4. The model and Serial number of the appliance (found on the rating plate).
5. The purchase date.

Please note a valid purchase receipt or guarantee documentation is required for in guarantee service calls.

Customer Care

For general enquiries concerning your Electrolux appliance, or for further information on Electrolux products please contact our Customer Care Department by letter or telephone at the address below or visit our website at www.electrolux.co.uk

Customer Care Department
Electrolux Major Appliances
Addington Way

Luton

Bedfordshire, LU4 9QQ

Tel: 08705 950 950 (*)

(*) Calls may be recorded for training purposes

EUROPEAN GUARANTEE

This appliance is guaranteed by Electrolux in each of the countries listed at the back of this user manual, for the period specified in the appliance guarantee or otherwise by law. If you move from one of these countries to another of the countries listed, the appliance guarantee will move with you subject to the following qualifications:

- The appliance guarantee starts from the date you first purchased the appliance which will be evidenced by production of a valid purchase document issued by the seller of the appliance.
- The appliance guarantee is for the same period and to the same extent for labour and parts as exists in your new country of residence for this particular model or range of appliances.
- The appliance guarantee is personal to the original purchaser of the appliance and cannot be transferred to another user.
- The appliance is installed and used in accordance with instructions issued by Electrolux and is only used within the home, i.e. is not used for commercial purposes.
- The appliance is installed in accordance with all relevant regulations in force within your new country of residence.

The provisions of this European Guarantee do not affect any of the rights granted to you by law.

Albania	+35 5 4 261 450	Rr. Pjeter Bogdani Nr. 7 Tirane
Belgique/België/Belgien	+32 2 363 04 44	Bergensesteenweg 719, 1502 Lembeek
Česká republika	+420 2 61 12 61 12	Budějovická 3, Praha 4, 140 21
Danmark	+45 70 11 74 00	Sjællandsgade 2, 7000 Fredericia
Deutschland	+49 180 32 26 622	Muggenhofer Str. 135, 90429 Nürnberg
Eesti	+37 2 66 50 030	Mustamäe tee 24, 10621 Tallinn
España	+34 902 11 63 88	Carretera M-300,Km.29,900 Alcalá de Henares Madrid
France	www.electrolux.fr	
Great Britain	+44 8705 929 929	Addington Way, Luton, Bedfordshire LU4 9QQ
Hellas	+30 23 10 56 19 70	4, Limnou Str., 54627 Thessaloniki
Hrvatska	+385 1 63 23 338	Slavonska avenija 3, 10000 Zagreb
Ireland	+353 1 40 90 753	Long Mile Road Dublin 12
Italia	+39 (0) 434 558500	C.so Lino Zanussi, 26 - 33080 Porcia (PN)
Latvija	+37 17 84 59 34	Kr. Barona iela 130/2, LV-1012, Riga
Lietuva	+370 5 2780609	Verkių 29, LT-09108 Vilnius
Luxembourg	+35 2 42 43 13 01	Rue de Bitbourg, 7, L-1273 Hamm
Magyarország	+36 1 252 1773	H-1142 Budapest XIV, Erzsébet királyné útja 87
Nederland	+31 17 24 68 300	Vennootsweg 1, 2404 CG - Alphen aan den Rijn
Norge	+47 81 5 30 222	Risløkkvn. 2 , 0508 Oslo
Österreich	+43 18 66 400	Herziggasse 9, 1230 Wien
Polska	+48 22 43 47 300	ul. Kolejowa 5/7, Warsaw
Portugal	+35 12 14 40 39 39	Quinta da Fonte-Edifício Gonçalves Zarco-Q 35-2774-518 Paço de Arcos
Romania	+40 21 451 20 30	Str. Garii Progresului 2, S4, 040671 RO
Schweiz-Suisse-Svizzera	+41 62 88 99 111	Industriestrasse 10, CH-5506 Mägenwil
Slovenija	+38 61 24 25 731	Electrolux Ljubljana d.o.o., Gerbičeva 98, 1000 Ljubljana
Slovensko	+421 2 43 33 43 22	Electrolux Slovakia s.r.o., Electrolux Domáce spotrebiče SK, Seberínho 1, 821 03 Bratislava
Suomi	www.electrolux.fi	
Sverige	+46 (0)771 76 76 76	Electrolux Service, S:t Göransgatan 143, S-105 45 Stockholm
Türkiye	+90 21 22 93 10 25	Tarlabası caddesi no : 35 Taksim Istanbul
Россия	+7 095 937 7837	129090 Москва, Олимпийский проспект, 16, БЦ "Олимпик"

www.electrolux.com

www.electrolux.co.uk