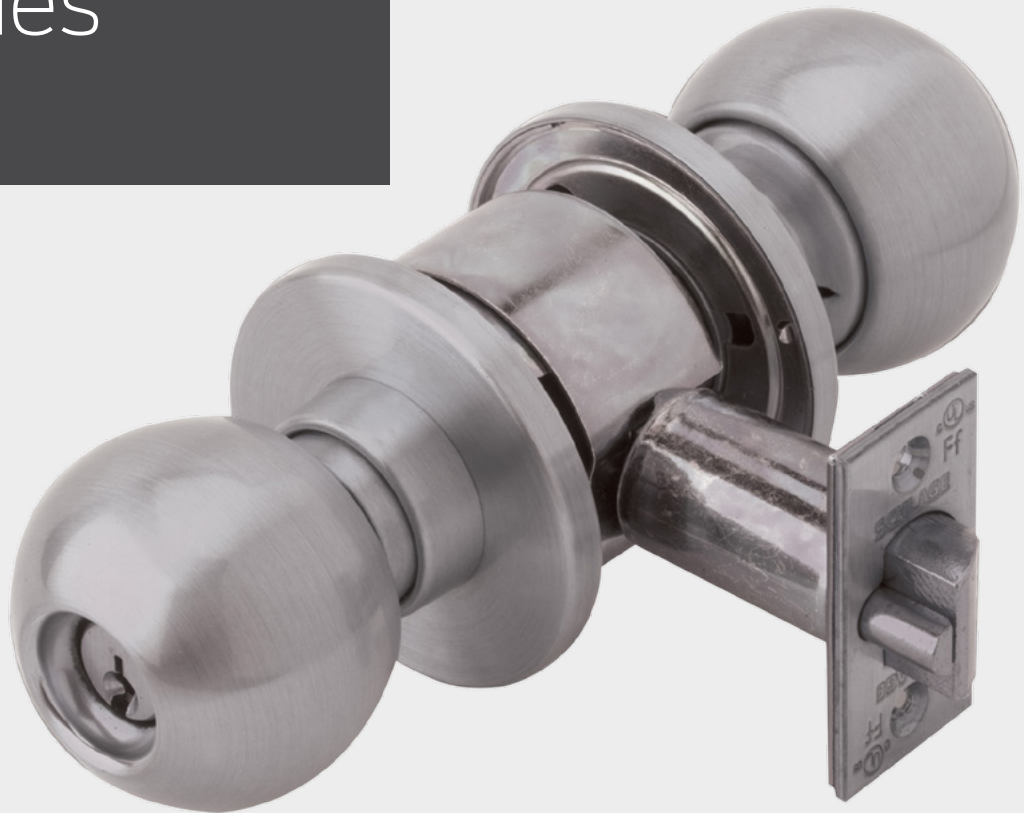


SCHLAGE

A-Series

Service manual



Contents

5	Introduction	19	Parts and Accessories
5	Lock Assembly Drawing Index	20	Knob and Lever Designs
7	Chassis and Assemblies	21	Latches
8	Passage Lock	22	Strikes
9	Exit Lock	23	Finishes
10	Patio Lock	24	Cylinder Units and Parts
11	Bath/Bedroom Privacy Lock	26	Interchangeable Cores, Designs, and Parts
12	Communicating Lock	28	Lubrication
13	Entrance Lock	28	Installation Tools and Kits
14	Classroom Lock	29	Long Backsets
15	Communicating Lock	29	Reinforcement Kit
16	Storeroom Lock	30	Keying
17	Faculty/Restroom Lock		
18	Dummy Trim		

Introduction

This manual contains a complete listing of A-Series (Grade 2) cylindrical lock parts and assemblies manufactured by the Schlage Lock Company. This manual lists components of A-Series locks manufactured after 1984.

Exploded views of each lock chassis and trim assemblies are provided with an accompanying chart to identify parts for replacement purposes. In addition, this manual provides lock trim ordering procedures, general cylinder information, and all auxiliary components of the A-Series cylindrical locks.

Standard Features*

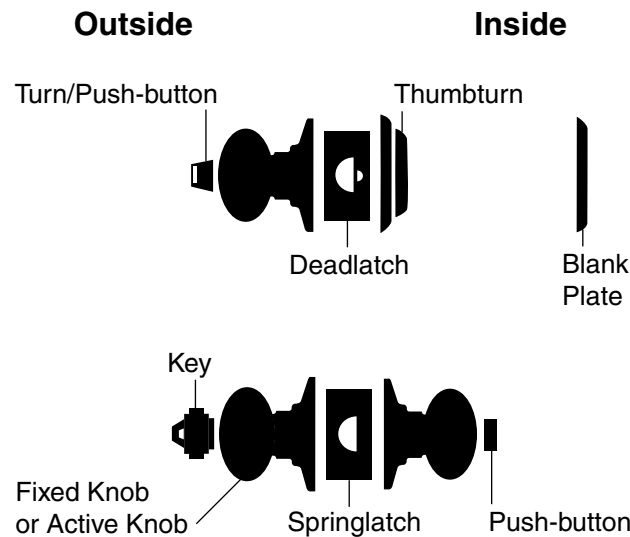
Certifications	ANSI A156.2, 2003, Series 4000, Grade 2, UL Listed for 3-hour fire door.
Latchbolt	1/2" throw, brass, chrome plated, deadlocking on keyed and exterior functions.
Strike	T-Strike 1 1/8" x 2 3/4", Square corner, box.
Backset	2 3/8" standard
Cylinder	6-Pin solid brass, keyed 6-pin, C123 keyway, keyed different (KD)**
Door Range	1 3/8" - 1 7/8"
Keys	Two nickel silver cut keys per lock, 6-pin, C123 section**

* Locks are furnished with standard features unless otherwise specified.

** Items specified in C keyway will be furnished with cylinder keyed 5-pin and with 5-pin keys unless otherwise specified.

Lock Assembly Drawing Index

The Lock Assembly Drawing Index provides visual representations and textual descriptions of available functions. Page numbers for full trim and chassis drawings are referenced.



Lock Assembly Drawing Index

Function		ANSI / BHMA A156.2, 2003, Series 4000, Grade 2			Chassis and Trim Page
SCHLAGE	ANSI	DESCRIPTION	OUTSIDE FUNCTION	INSIDE FUNCTION	
A10S	F75	Passage Latch	Both knobs always unlocked.		8
A25D		Exit Lock	Blank plate outside.	Inside knob always unlocked. Specify door thickness, 1 $\frac{3}{8}$ " or 1 $\frac{3}{4}$ ".	9
A30D	F77	Patio Lock		Push-button locking. Turning inside knob or closing door releases button, preventing lock-out.	10
A40S	F76	Bath/Bedroom Privacy Lock	Can be opened from outside with small screwdriver when locked with inside push-button.	Push-button locking. Turning inside knob or closing door releases button.	11
A43D	F79	Communicating Lock	Turn-button in outside knob locks and unlocks outside knob and inside thumbturn.	Inside thumbturn locked and unlocked by outside turn-button.	12
A53PD	F109	Entrance Lock	Can be opened from outside with small screwdriver or emergency release tool.	Push-button locks outside lever. Turning inside lever or closing door releases button. Inside lever is always free for immediate egress.	13
A70PD	F84	Classroom Lock	Outside knob locked and unlocked by key.	Inside knob is always unlocked.	14
A79PD		Communicating Lock	Locked or unlocked by key from outside.	Inside knob is always unlocked.	15
A80PD	F86	Storeroom Lock	Outside knob is fixed. Entrance by key only.	Inside knob is always unlocked.	16
A85PD	F93	Faculty/Restroom Lock (with Indicator Cylinder)	Outside knob is fixed. Entrance by key only.	Push-button in inside knob activates visual occupancy indicator, allowing only emergency master key to operate. Turning inside knob or closing door releases visual occupancy indicator. Rotation of inside spanner-button provides lock-out feature by keeping indicator thrown.	17
A170		Single Dummy	Dummy trim for one side of the door. Used fo door pull or as matching inactive trim.		18



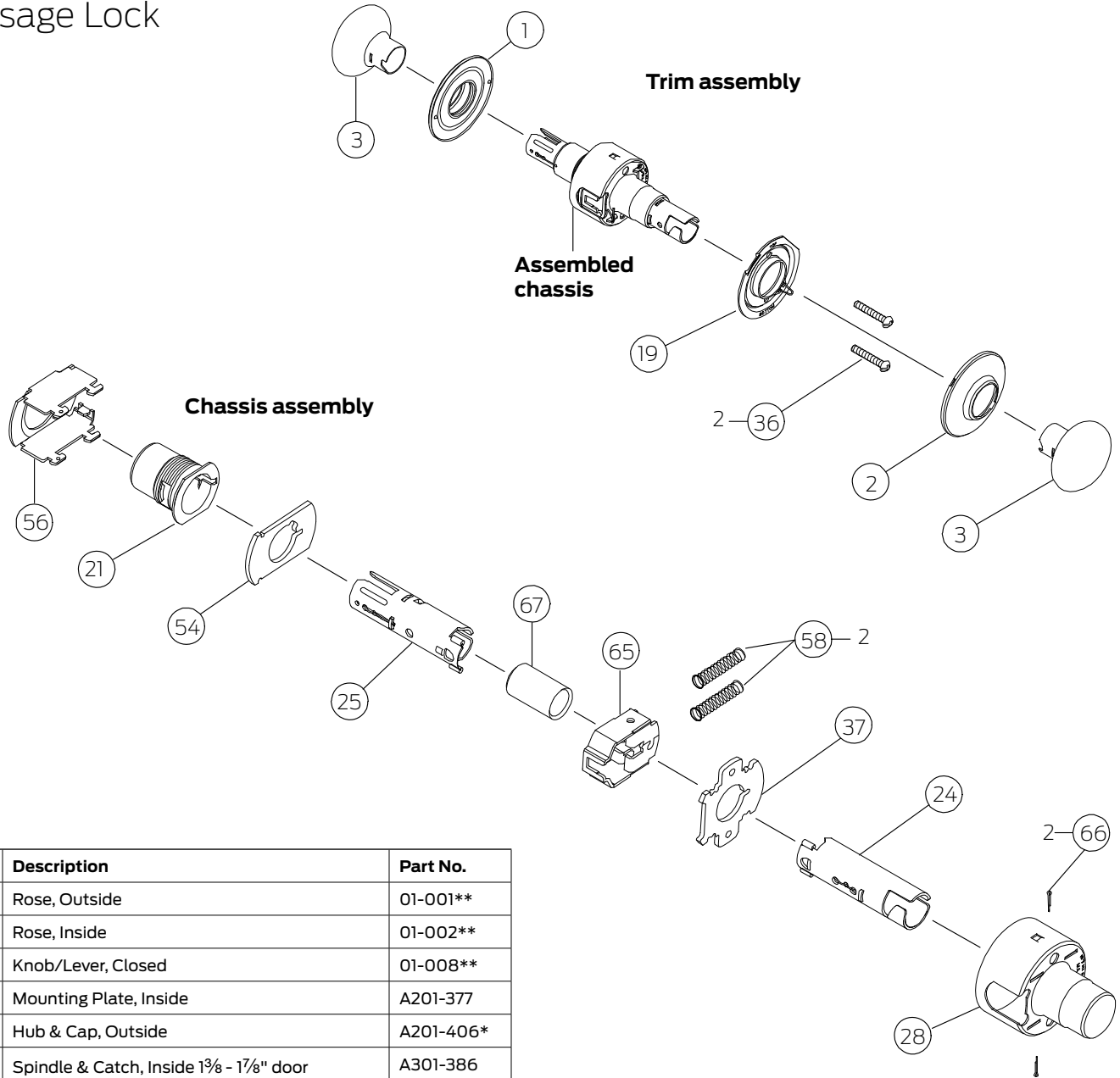
Keyed functions available with full size interchangeable core option for Orbit design.

Chassis and Assemblies

- 8 Passage Lock
- 9 Exit Lock
- 10 Patio Lock
- 11 Bath/Bedroom Privacy Lock
- 12 Communicating Lock
- 13 Entrance Lock
- 14 Classroom Lock
- 15 Communicating Lock
- 16 Storeroom Lock
- 17 Faculty/Restroom Lock
- 18 Dummy Trim

Passage Lock

A10S



No.	Description	Part No.
1	Rose, Outside	01-001**
2	Rose, Inside	01-002**
3	Knob/Lever, Closed	01-008**
19	Mounting Plate, Inside	A201-377
21	Hub & Cap, Outside	A201-406*
24	Spindle & Catch, Inside 1 ³ / ₈ - 1 ⁷ / ₈ " door	A301-386
	Spindle & Catch, Inside 2 - 2 ¹ / ₄ " door	A301-409
	Spindle & Catch, Inside 2 ¹ / ₂ " door	A301-410
25	Spindle & Catch, Outside	A301-387
28	Housing & Cap, 1 ³ / ₈ - 1 ⁷ / ₈ " door	A301-403*
	Housing & Cap, 2 - 2 ¹ / ₄ " door	A301-404*
	Housing & Cap, 2 ¹ / ₂ " door	A301-405*
	Housing Threaded, 1 ¹ / ₈ - 1 ⁷ / ₈ " door	A301-406*
36	Screw, Mtg. 1 ³ / ₈ - 1 ⁷ / ₈ " door	A501-161
	Screw, Mtg. 2 - 2 ¹ / ₂ " door	A501-818
37	Plate, Inside	A501-305
54	Plate, Outside	A508-399
56	Frame	A508-598

No.	Description	Part No.
58	Spring, Slide, Knob & Lever	A508-605
65	Slide, Non-restoring	A590-181
66	Cotter Pin	C503-008
67	Plug, Spindle	G570-232

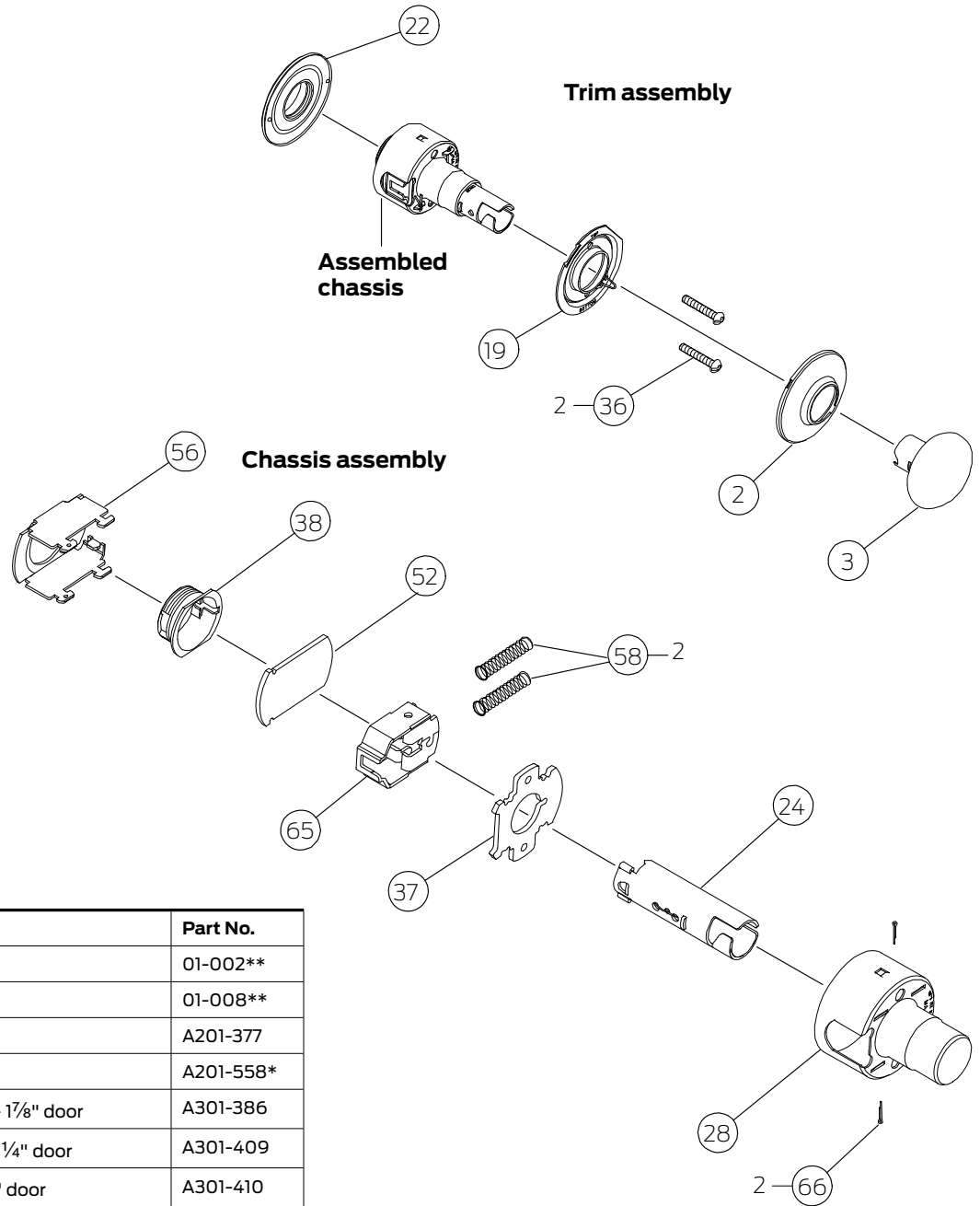
* Specify finish

** Specify design and finish

Note: Parts for doors 2 - 2¹/₂" thick are for doors extended inside (EI) only.

Exit Lock

A25D



No.	Description	Part No.
2	Rose, Inside	01-002**
3	Knob/Lever, Closed	01-008**
19	Mounting Plate, Inside	A201-377
22	Rose, Outside	A201-558*
24	Spindle & Catch, Inside 1 ³ / ₈ - 1 ⁷ / ₈ " door	A301-386
	Spindle & Catch, Inside 2 - 2 ¹ / ₄ " door	A301-409
	Spindle & Catch, Inside 2 ¹ / ₂ " door	A301-410
28	Housing & Cap, 1 ³ / ₈ - 1 ⁷ / ₈ " door	A301-403*
	Housing & Cap, 2 - 2 ¹ / ₄ " door	A301-404*
	Housing & Cap, 2 ¹ / ₂ " door	A301-405*
	Housing Threaded, 1 ³ / ₈ - 1 ⁷ / ₈ " door	A301-406*
36	Screw, Mtg. 1 ³ / ₈ - 1 ⁷ / ₈ " door	A501-161
	Screw, Mtg. 2 - 2 ¹ / ₂ " door	A501-818
37	Plate, Inside	A501-305
38	Hub, 1 ³ / ₈ - 1 ¹ / ₂ " door	A501-498
	Hub, 1 ⁵ / ₈ - 1 ⁷ / ₈ " door	A501-499
52	Plate, Outside	A501-874
56	Frame	A508-598

No.	Description	Part No.
65	Slide, Non-restoring	A590-181
66	Cotter Pin	C503-008

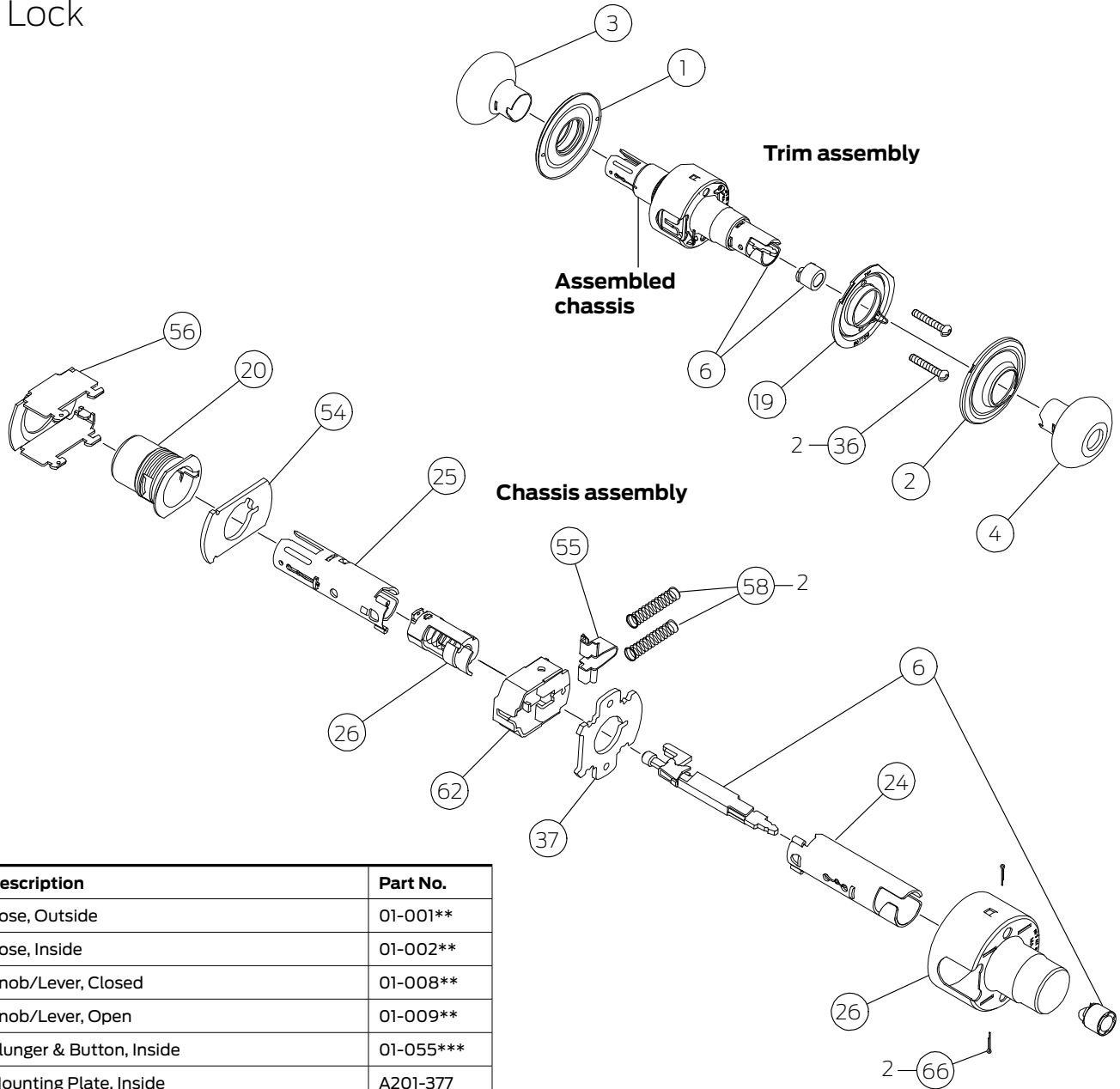
* Specify finish

** Specify design and finish

Note: Parts for doors 2 - 2¹/₂" thick are for doors extended inside (EI) only.

Patio Lock

A30D



No.	Description	Part No.
1	Rose, Outside	01-001**
2	Rose, Inside	01-002**
3	Knob/Lever, Closed	01-008**
4	Knob/Lever, Open	01-009**
6	Plunger & Button, Inside	01-055***
19	Mounting Plate, Inside	A201-377
20	Hub and Cap, Outside	A201-399*
22	Rose, Outside	A201-558
24	Spindle & Catch, Inside $\frac{3}{8}$ - $1\frac{7}{8}$ " door	A301-386
	Spindle & Catch, Inside 2 - $2\frac{1}{4}$ " door	A301-409
	Spindle & Catch, Inside $2\frac{1}{2}$ " door	A301-410
25	Spindle and Catch, Outside	A301-403
28	Housing & Cap, $1\frac{3}{8}$ - $1\frac{7}{8}$ " door	A301-403*
	Housing & Cap, 2 - $2\frac{1}{4}$ " door	A301-404*
	Housing & Cap, $2\frac{1}{2}$ " door	A301-405*
	Housing Threaded, $1\frac{1}{8}$ - $1\frac{7}{8}$ " door	A301-406*
37	Plate, Inside	A501-305
54	Plate, Outside	A508-399

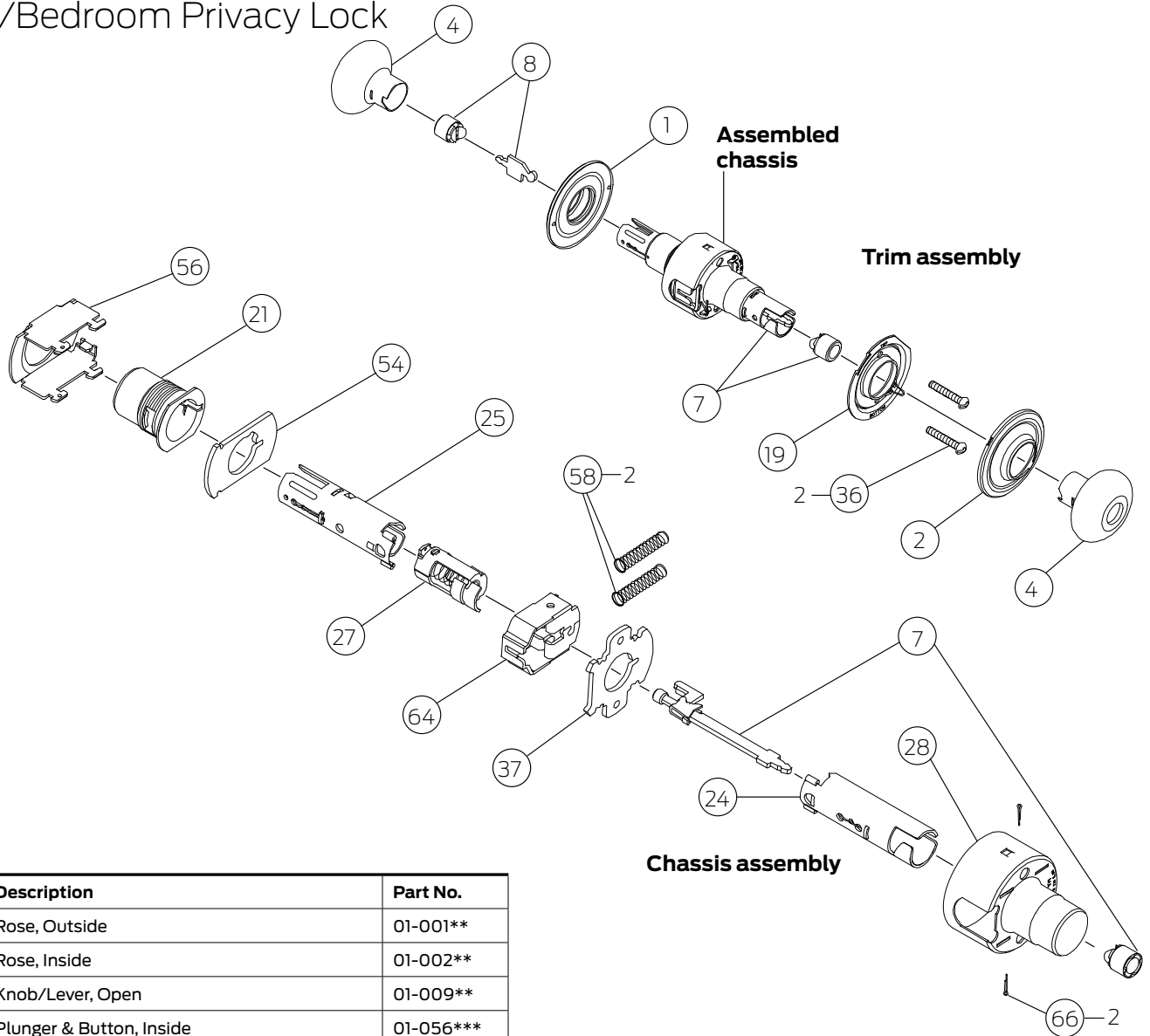
No.	Description	Part No.
55	Seat Spring, Knob & Lever	A508-597
56	Frame	A508-598
62	Slide, Restoring	A590-158
55	Seat Spring, Knob & Lever	A508-597
56	Frame	A508-598
62	Slide, Restoring	A590-158

- * Specify finish
- ** Specify design and finish
- *** Specify dimension and finish

Note: Parts for doors 2 - $2\frac{1}{2}$ " thick are for doors extended inside (EI) only.

Bath/Bedroom Privacy Lock

A40S



No.	Description	Part No.
1	Rose, Outside	01-001**
2	Rose, Inside	01-002**
4	Knob/Lever, Open	01-009**
7	Plunger & Button, Inside	01-056***
8	Plunger & Button, Outside	01-057***
19	Mounting Plate, Inside	A201-377
21	Hub and Cap, Outside	A201-406*
24	Spindle & Catch, Inside 1 ³ / ₈ - 1 ⁷ / ₈ " door	A301-386
	Spindle & Catch, Inside 2 - 2 ¹ / ₄ " door	A301-409
	Spindle & Catch, Inside 2 ¹ / ₂ " door	A301-410
25	Spindle and Catch, Outside	A301-403
27	Cam, Outside	A301-402
28	Housing & Cap, 1 ³ / ₈ - 1 ⁷ / ₈ " door	A301-403*
	Housing & Cap, 2 - 2 ¹ / ₄ " door	A301-404*
	Housing & Cap, 2 ¹ / ₂ " door	A301-405*
	Housing Threaded, 1 ³ / ₈ - 1 ⁷ / ₈ " door	A301-406*
36	Screw, Mtg. 1 ³ / ₈ - 1 ⁷ / ₈ " door	A501-161
	Screw, Mtg. 2 - 2 ¹ / ₂ " door	A501-818

No.	Description	Part No.
37	Plate, Inside	A501-305
54	Plate, Outside	A508-399
56	Frame	A508-598
58	Spring Slide, Knob & Lever	A508-605
64	Slide, Restoring	A590-180
66	Cotter Pin	C503-008

* Specify finish

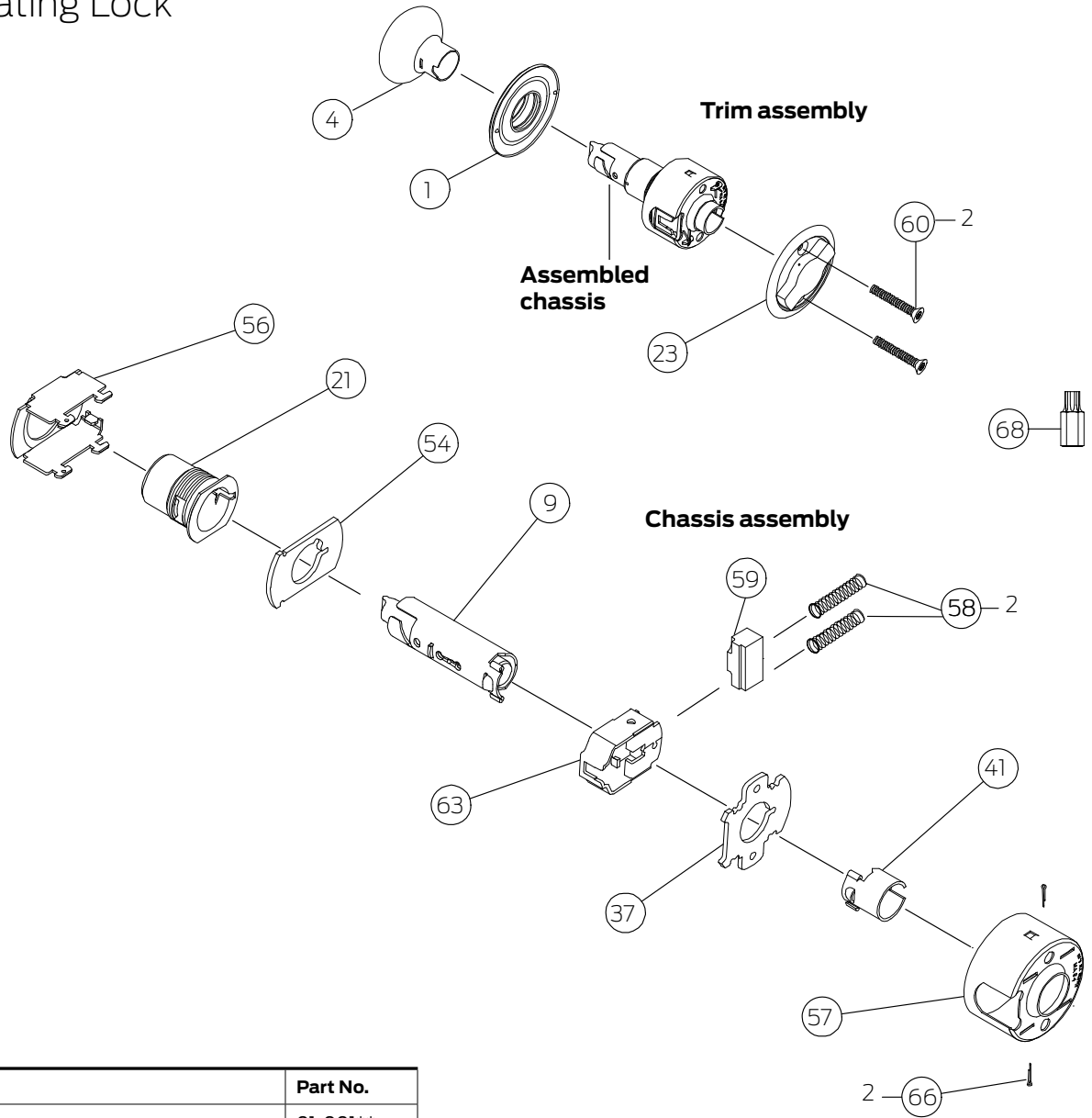
** Specify design and finish

*** Specify dimension and finish

Note: Parts for doors 2 - 2¹/₂" thick are for doors extended inside (EI) only.

Communicating Lock

A43D



No.	Description	Part No.
1	Rose, Outside	01-001**
4	Knob/Lever, Open	01-009**
9	Plunger and Button, Outside	01-058***
21	Hub and Cap, Outside	A201-406*
23	Turn and Plate, Inside	A201-688*
37	Plate, Inside	A501-305
41	Spindle, Inside, 1 ³ / ₈ - 1 ⁷ / ₈ " door	A501-633
	Spindle, Inside, 2 ¹ / ₄ " door	A500-001
	Spindle, Inside, 2 ¹ / ₂ " door	A500-002
54	Plate, Outside	A508-399
56	Frame	A508-598
57	Housing	A508-600
58	Spring Slide, Knob & Lever	A508-605
59	Stop Slide	A508-641

No.	Description	Part No.
60	Screw, Mtg. 1 ³ / ₈ - 1 ⁷ / ₈ " door	A508-649*
	Screw, Mtg. 2 - 2 ¹ / ₂ " door	A508-650*
63	Slide, Non-restoring	A590-159
66	Cotter Pin	C503-008
68	Tamper Resistant Torx Tool Bit (One per case)	M504-426

* Specify finish

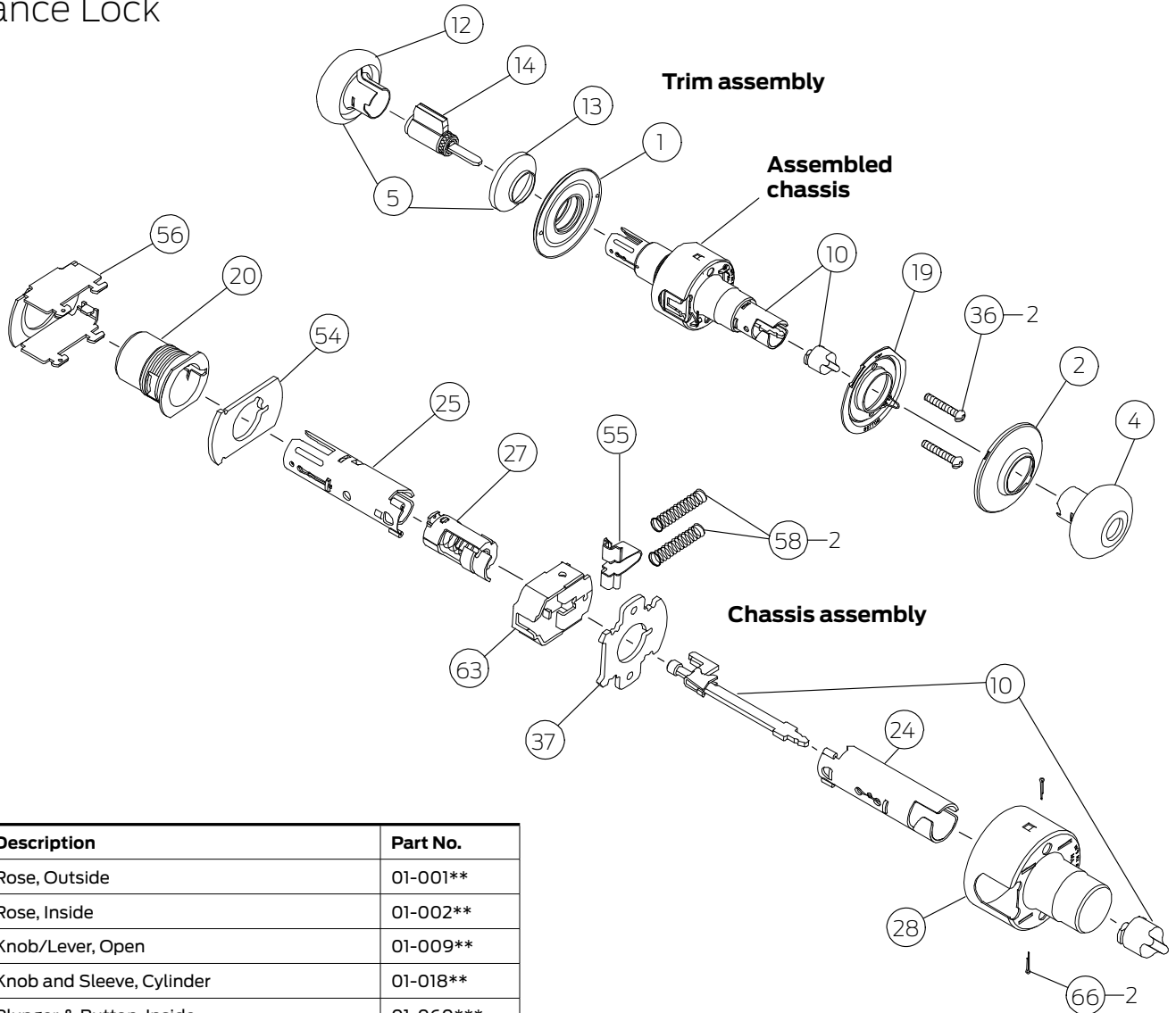
** Specify design and finish

*** Specify dimension and finish

Note: Parts for doors 2 - 2¹/₂" thick are for doors extended inside (EI) only.

Entrance Lock

A53PD



No.	Description	Part No.
1	Rose, Outside	01-001**
2	Rose, Inside	01-002**
4	Knob/Lever, Open	01-009**
5	Knob and Sleeve, Cylinder	01-018**
10	Plunger & Button, Inside	01-060***
12	Cylinder Knob (less sleeve)	01-080**
13	Sleeve Knob Cylinder	01-081**
14	Cylinder, 6-Pin	21-002**
	Cylinder, 6-Pin, Orbit	21-002-122**
19	Mounting Plate, Inside	A201-377
20	Hub and Cap, Outside	A201-399
24	Spindle & Catch, Inside 1 ³ / ₈ - 1 ⁷ / ₈ " door	A301-386
	Spindle & Catch, Inside 2 - 2 ¹ / ₄ " door	A301-409
	Spindle & Catch, Inside 2 ¹ / ₂ " door	A301-410
25	Spindle and Catch, Outside	A301-387
27	Cam, Outside	A301-402
28	Housing & Cap, 1 ³ / ₈ - 1 ⁷ / ₈ " door	A301-403*
	Housing & Cap, 2 - 2 ¹ / ₄ " door	A301-404*
	Housing & Cap, 2 ¹ / ₂ " door	A301-405*
	Housing Threaded, 1 ¹ / ₈ - 1 ⁷ / ₈ " door	A301-406*

No.	Description	Part No.
36	Screw, Mtg. 1 ³ / ₈ - 1 ⁷ / ₈ " door	A501-161
	Screw, Mtg. 2 - 2 ¹ / ₄ " door	A501-818
37	Plate, Inside	A501-305
54	Plate, Outside	A508-399
55	Seat Spring, Knob and Lever	A508-597
56	Frame	A508-598
58	Spring Slide, Knob and Lever	A508-605
63	Slide, Non-restoring	A590-159
66	Cotter Pin	C503-008

* Specify finish

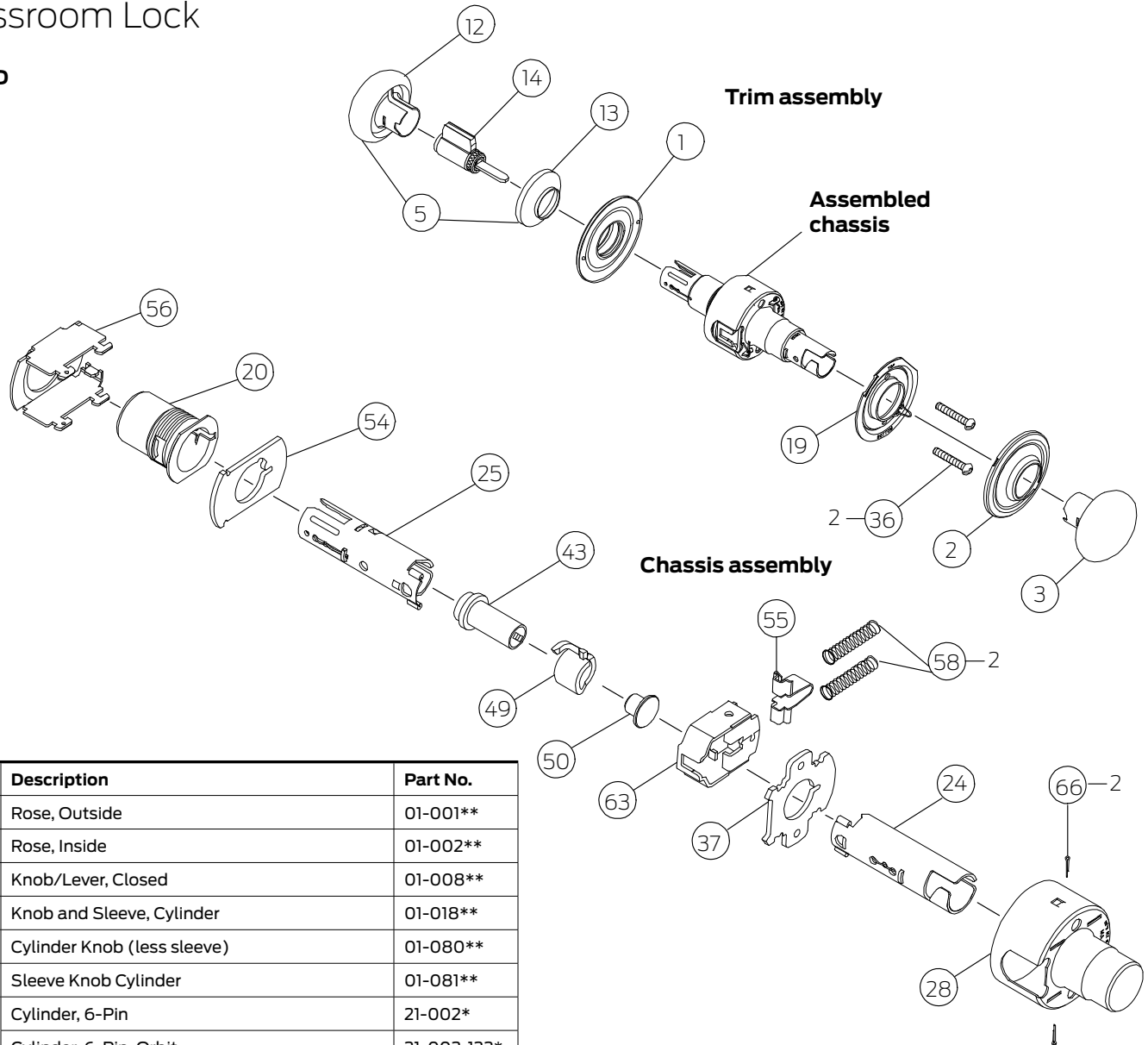
** Specify design and finish

*** Specify dimension and finish

Note: Parts for doors 2 - 2¹/₂" thick are for doors extended inside (EI) only.

Classroom Lock

A70PD



No.	Description	Part No.
1	Rose, Outside	01-001**
2	Rose, Inside	01-002**
3	Knob/Lever, Closed	01-008**
5	Knob and Sleeve, Cylinder	01-018**
12	Cylinder Knob (less sleeve)	01-080**
13	Sleeve Knob Cylinder	01-081**
14	Cylinder, 6-Pin	21-002*
	Cylinder, 6-Pin, Orbit	21-002-122*
19	Mounting Plate, Inside	A201-377
20	Hub and Cap, Outside	A201-399*
24	Spindle & Catch, Inside 1 ³ / ₈ - 1 ⁷ / ₈ " door	A301-386
	Spindle & Catch, Inside 2 - 2 ¹ / ₄ " door	A301-409
	Spindle & Catch, Inside 2 ¹ / ₂ " door	A301-410
25	Spindle and Catch, Outside	A301-387
28	Housing & Cap, 1 ³ / ₈ - 1 ⁷ / ₈ " door	A301-403*
	Housing & Cap, 2 - 2 ¹ / ₄ " door	A301-404*
	Housing & Cap, 2 ¹ / ₂ " door	A301-405*
	Housing Threaded, 1 ¹ / ₈ - 1 ⁷ / ₈ " door	A301-406
36	Screw, Mtg. 1 ³ / ₈ - 1 ⁷ / ₈ " door	A501-161
	Screw, Mtg. 2 - 2 ¹ / ₄ " door	A501-818
37	Plate, Inside	A501-305

No.	Description	Part No.
43	Plug, Cam	A501-721
49	Spiral Cam	A501-776
50	Spacer Cam	A501-791
54	Plate, Outside	A508-399
55	Seat Spring, Knob and Lever	A508-597
56	Frame	A508-598
58	Spring Slide, Knob and Lever	A508-605
63	Slide, Non-restoring	A590-159
66	Cotter Pin	C503-008

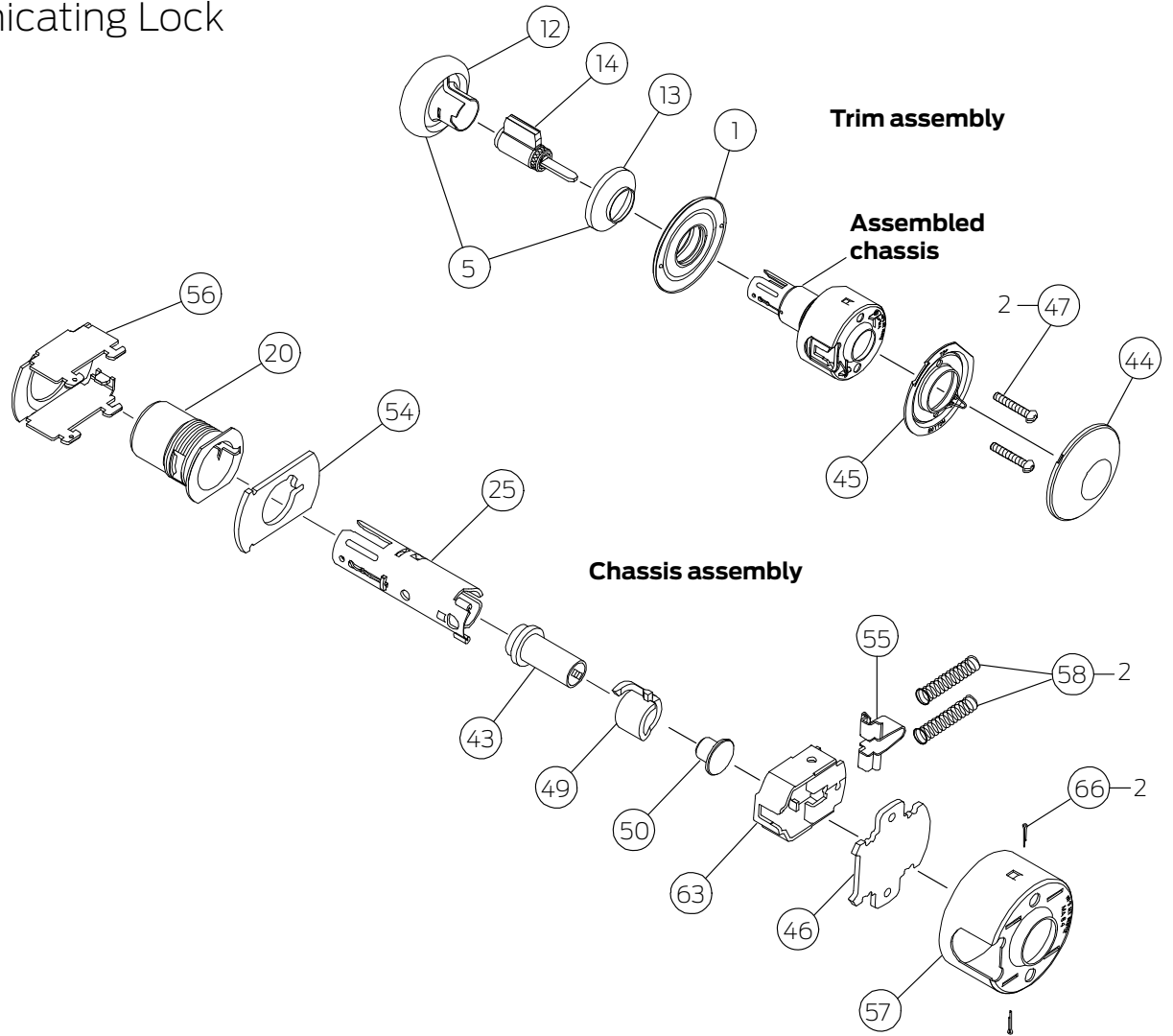
* Specify finish

** Specify design and finish

Note: Parts for doors 2 - 2¹/₂" thick are for doors extended inside (EI) only.

Communicating Lock

A79PD



No.	Description	Part No.
1	Rose, Outside	01-001**
5	Knob and Sleeve, Cylinder	01-018**
12	Cylinder Knob (less sleeve)	01-080**
13	Sleeve Knob Cylinder	01-081**
14	Cylinder, 6-Pin	21-002*
	Cylinder, 6-Pin, Orbit	21-002-122*
19	Mounting Plate, Inside	A201-377
20	Hub and Cap, Outside	A201-399*
25	Spindle and Catch, Outside	A301-387
43	Plug, Cam	A501-721
44	Rose, Inside	A501-766*
45	Plate, Mounting	A501-767
46	Plate, Inside	A501-768
47	Screw, Mtg. 1 ³ / ₈ - 1 ⁷ / ₈ " door	A501-769
	Screw, Mtg. 2 - 2 ¹ / ₄ " door	A501-770

No.	Description	Part No.
49	Spiral Cam	A501-776
50	Spacer Cam	A501-791
54	Plate, Outside	A508-399
55	Seat Spring, Knob and Lever	A508-597
56	Frame	A508-598
57	Housing	A508-600
58	Spring Slide, Knob and Lever	A508-605
63	Slide, Non-restoring	A590-159
66	Cotter Pin	C503-008

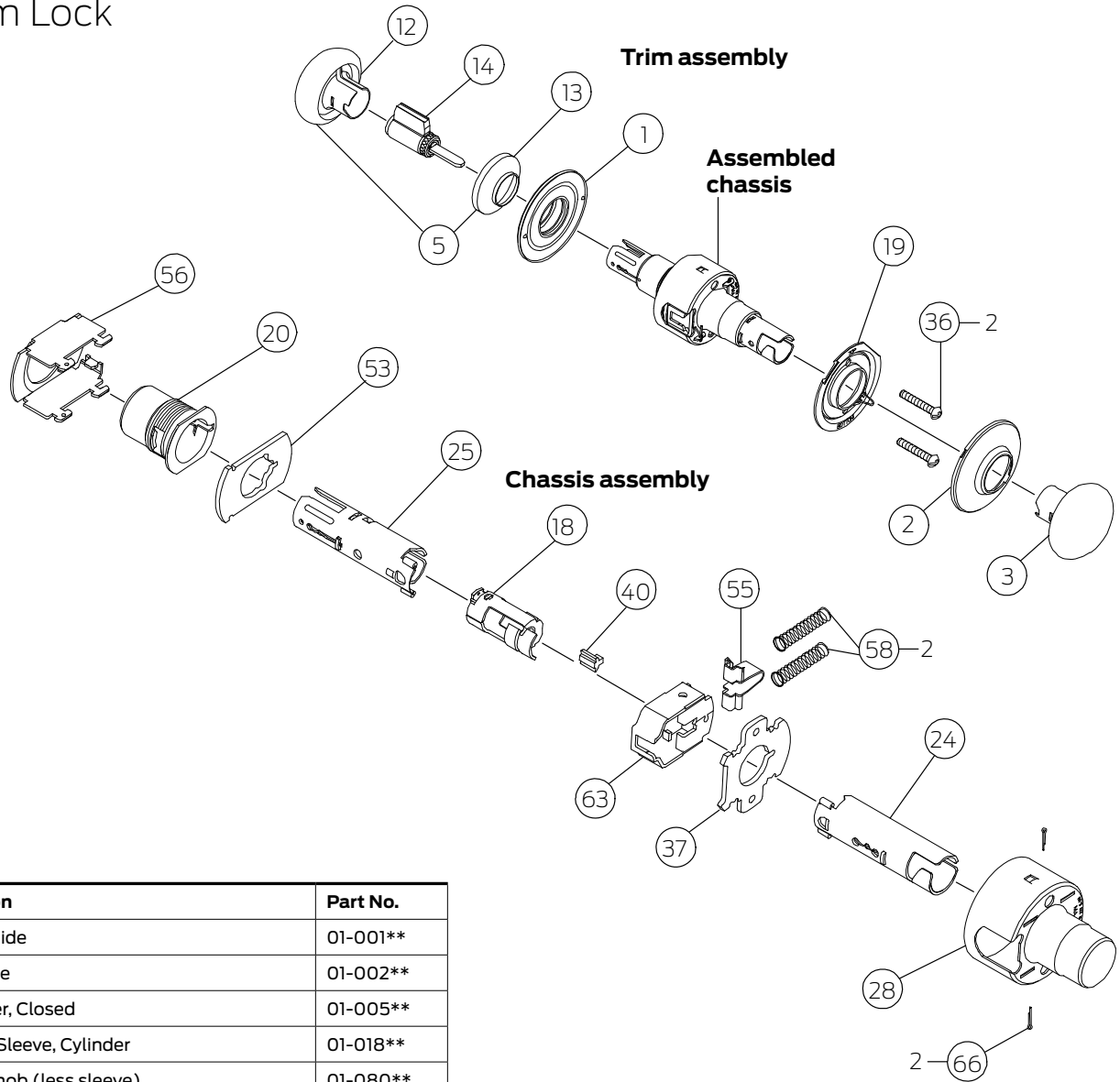
* Specify finish

** Specify design and finish

Note: Parts for doors 2 - 2¹/₂" thick are for doors extended inside (EI) only.

Storeroom Lock

A80PD

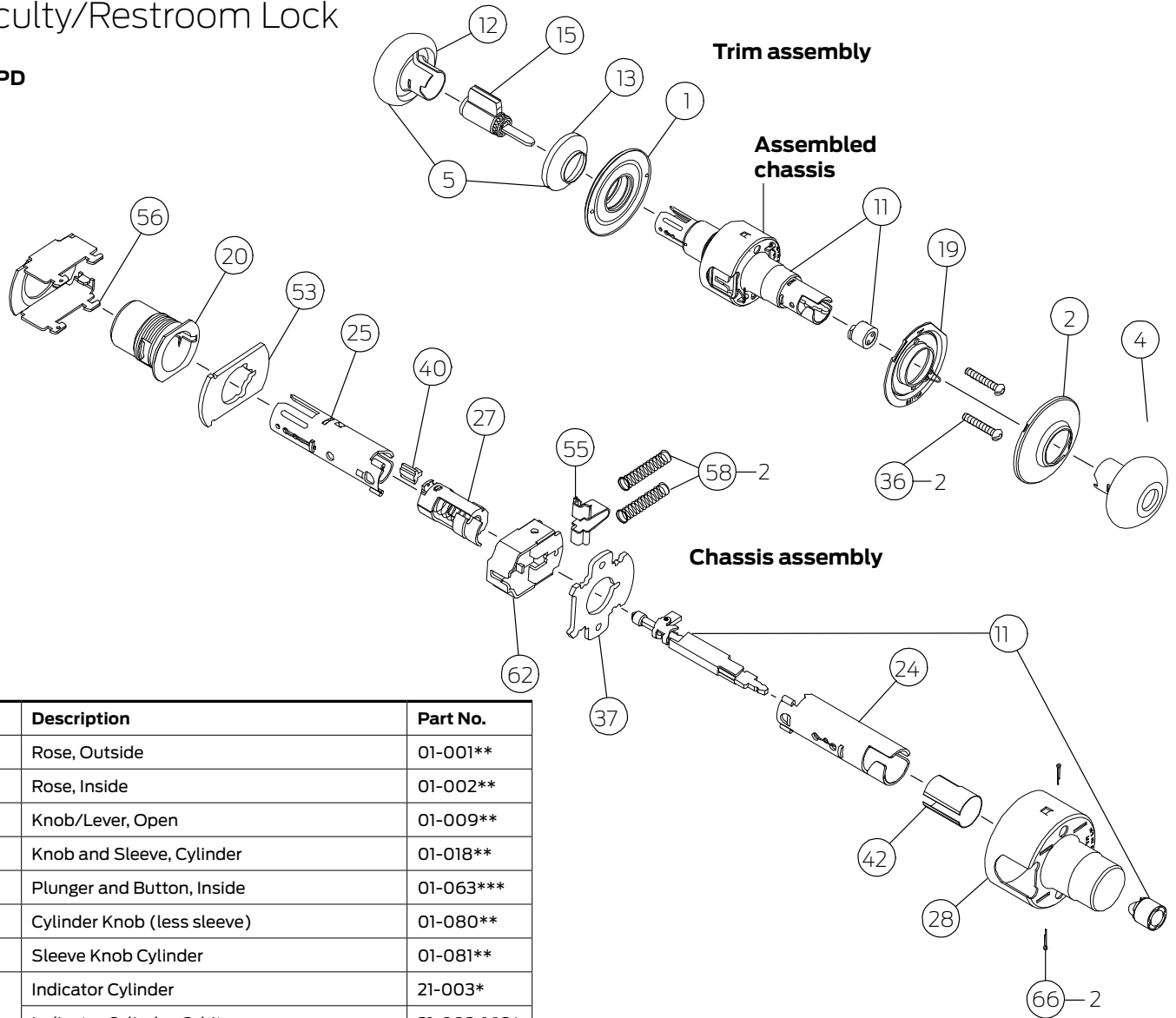


No.	Description	Part No.
1	Rose, Outside	01-001**
2	Rose, Inside	01-002**
3	Knob/Lever, Closed	01-005**
5	Knob and Sleeve, Cylinder	01-018**
12	Cylinder Knob (less sleeve)	01-080**
13	Sleeve Knob Cylinder	01-081**
14	Cylinder, 6-Pin	21-002*
	Cylinder, 6-Pin, Orbit	21-002-122*
18	Cam	A201-370
19	Mounting Plate, Inside	A201-377
20	Hub and Cap, Outside	A201-399*
24	Spindle and Catch, Inside, 1 ³ / ₈ - 1 ⁷ / ₈ " door	A301-386
	Spindle and Catch, Inside, 2 - 2 ¹ / ₄ " door	A301-409
	Spindle and Catch, Inside, 2 ¹ / ₂ " door	A301-410
25	Spindle and Catch, Outside	A301-387
28	Housing & Cap, 1 ³ / ₈ - 1 ⁷ / ₈ " door	A301-403
	Housing & Cap, 2 - 2 ¹ / ₄ " door	A301-404
	Housing & Cap, 2 ¹ / ₂ " door	A301-405
	Housing, Threaded, 1 ³ / ₈ - 1 ⁷ / ₈ " door	A301-406

No.	Description	Part No.
36	Screw, Mtg. 1 ³ / ₈ - 1 ⁷ / ₈ " door	A501-161
	Screw, Mtg. 2 - 2 ¹ / ₂ " door	A501-818
37	Plate, Inside	A501-305
40	Wedge	A501-615
53	Plate, Outside	A501-901
55	Seat Spring, Knob and Lever	A508-597
56	Frame	A508-598
58	Spring Slide, Knob and Lever	A508-605
63	Slide, Non-restoring	A590-159
66	Cotter Pin	C503-008

Faculty/Restroom Lock

A85PD



No.	Description	Part No.
1	Rose, Outside	01-001**
2	Rose, Inside	01-002**
4	Knob/Lever, Open	01-009**
5	Knob and Sleeve, Cylinder	01-018**
11	Plunger and Button, Inside	01-063***
12	Cylinder Knob (less sleeve)	01-080**
13	Sleeve Knob Cylinder	01-081**
15	Indicator Cylinder	21-003*
	Indicator Cylinder, Orbit	21-003-168*
19	Mounting Plate, Inside	A201-377
20	Hub and Cap, Outside	A201-399*
24	Spindle and Catch, Inside, 1 ³ / ₈ - 1 ⁷ / ₈ " door	A301-386
	Spindle and Catch, Inside, 2 - 2 ¹ / ₄ " door	A301-409
	Spindle and Catch, Inside, 2 ¹ / ₂ " door	A301-410
25	Spindle and Catch, Outside	A301-387
27	Cam, Outside	A301-402
28	Housing & Cap, 1 ³ / ₈ - 1 ⁷ / ₈ " door	A301-403*
	Housing & Cap, 2 - 2 ¹ / ₄ " door	A301-404*
	Housing & Cap, 2 ¹ / ₂ " door	A301-405*
	Housing, Threaded, 1 ³ / ₈ - 1 ⁷ / ₈ " door	A301-406*
36	Screw, Mtg. 1 ³ / ₈ - 1 ⁷ / ₈ " door	A501-161
	Screw, Mtg. 2 - 2 ¹ / ₂ " door	A501-818
37	Plate, Inside	A501-305

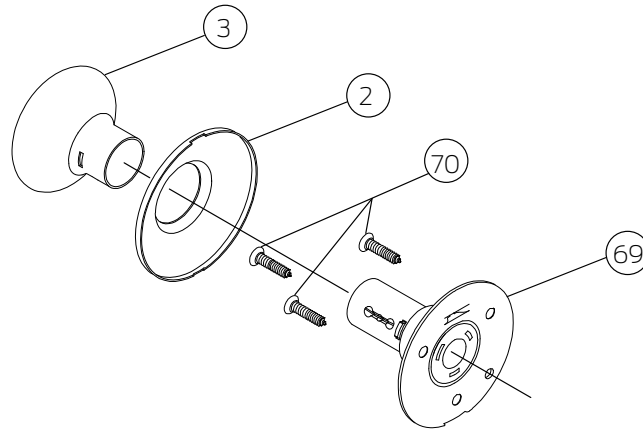
No.	Description	Part No.
40	Wedge	A501-615
42	Sleeve, Swivel	A501-710
53	Plate, Outside	A501-901
55	Seat Spring, Knob and Lever	A508-597
56	Frame	A508-598
58	Spring Slide, Knob and Lever	A508-605
62	Slide, Restoring	A590-158
66	Cotter Pin	C503-008

- * Specify finish
- ** Specify design and finish
- *** Specify dimension and finish

Notes: Parts for doors 2 - 2¹/₂" thick are for doors extended inside (EI) only. Faculty/Restroom function locks are finished 0-bitted with two 6-pin key unless otherwise specified. Emergency keys must be ordered separately.

Dummy Trim

A170



No.	Description	Part No.
2	Rose, Inside	01-002**
3	Knob/Lever, Closed	01-005**
69	Non-Threaded Chassis, Less Knob and Rose	A201-330
70	Screws, Mtg.	C603-897

* Specify finish

** Specify design and finish

*** Specify dimension and finish

Note: Parts for doors 2 - 2½" thick are for doors extended inside (EI) only.

Parts and Accessories

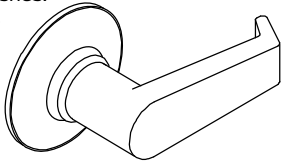
- 20 Knob and Lever Designs
- 21 Latches
- 22 Strikes
- 23 Finishes
- 24 Cylinder Units and Parts
- 26 Interchangeable Cores, Designs, and Parts
- 28 Lubrication
- 28 Installation Tools and Kits
- 29 Long Backsets
- 29 Reinforcement Kit
- 30 Keying

Knob and Lever Designs

Wrought brass, bronze or stainless steel. Lever is zinc based, plated to match BHMA symbols.

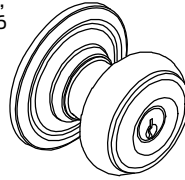
Levon (LEV)

Available Finishes:
605, 612, 613,
626



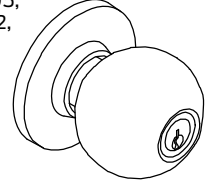
Georgian (GEO)

Available Finishes: 605,
606, 609, 610, 625, 626



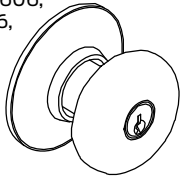
Orbit (ORB)

Available Finishes: 605,
606, 609, 610, 611, 612,
613, 616, 625, 626



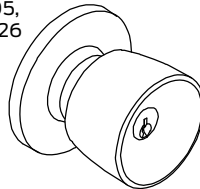
Plymouth (PLY)

Available Finishes: 605, 606,
609, 610, 611, 612, 613, 616,
625, 626, 629, 630



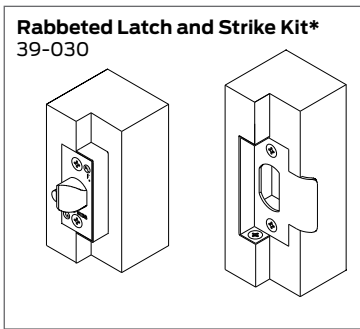
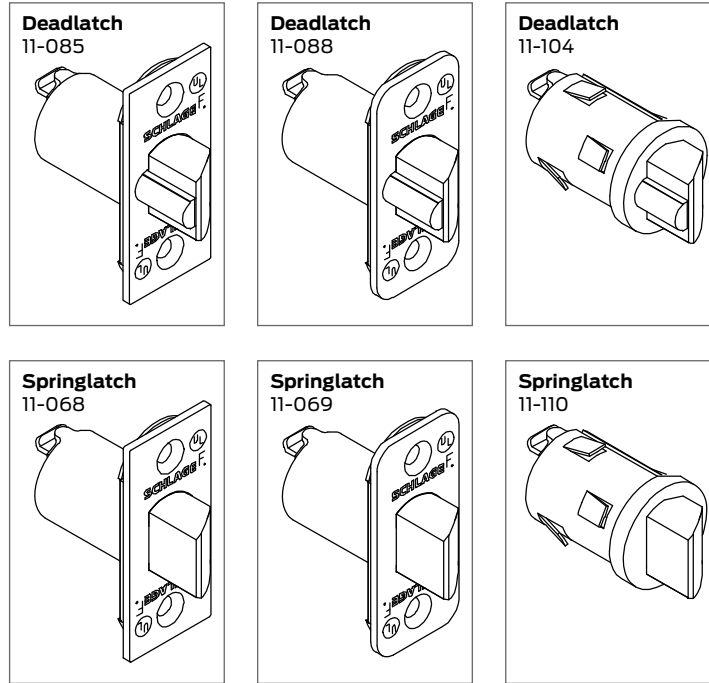
Tulip (TUL)

Available Finishes: 605,
606, 609, 610, 625, 626



Latches

All A-Series latches have adjustable brass or bronze faceplates for flat or beveled doors, 1/2" **throw standard.**

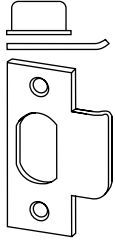


Backset	Description	Deadlatch	Springlatch	Housing Diameter
2 3/8"	Square corner, standard 1" x 2 1/4"	11-085	11-068	7/8"
	1/4" Radius round corner, 1" x 2 1/4"	11-088	11-069	7/8"
	1" Circular drive-in (non-UL)	11-104	11-110	1"
2 3/4"	Square corner, 1" x 2 1/4"	11-091	11-111	7/8"
	Square corner, 1 1/8" x 2 1/4"	11-096	11-116	1"
	1/4" Radius round corner, 1" x 2 1/4"	11-092	11-112	7/8"
	1" Circular drive-in (non-UL)	11-105	11-113	1"
3 3/4"	Square corner, 1 1/8" x 2 1/4"	14-010	14-028	1"
	Rabbeted latch and strike kit	39-030*		—

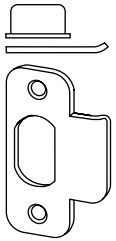
* This kit adapts square corner latch and 2 3/4" high square corner strike to 1/2" rabbeted door and frame preparations.

Strikes

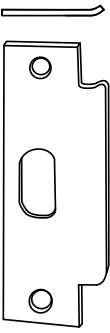
10-001 (Standard)
 Square Corner
 Size: 1 1/8" x 2 3/4" x 3/32"
 Lip Length: 1 1/8" ISIdi. 1", 1 1/4", 1 1/2", 1 3/4", 2"
 Includes C603-623 strike box



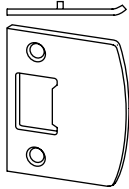
10-004
 1/4" Radius Round Corner
 Size: 1 1/8" x 2 3/4" x 3/32"
 Lip Length: 1 1/8"
 Includes C603-623 strike box



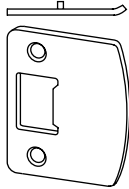
10-025
 ANSI Prep. A115.2
 Size: 1 1/4" x 4 7/8" x 3/32"
 Lip Length: 1 3/16" (Std.) 1 3/8"
 If required, K510-066 strike box must be ordered separately.



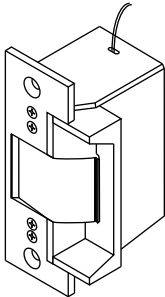
10-026
 Full Lip, Square Corner
 Size: 1 5/8" x 2 1/4" x 3/16"
 Lip Length: 1 1/8"



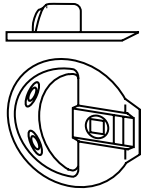
10-027
 Full Lip, 1/4" Radius Round Corner, No Box
 Size: 1 1/8" x 2 3/4" x 3/32"
 Lip Length: 1 1/8"



10-042
 Electric Strike
 Size: 1 1/4" x 4 7/8" x 3/32"
 Voltage: 24 VAC, 12 VDC
 Not designed for continuous duty and electrical locking.
 606, 626 only



10-058
 Circular Adjustable
 Size: 1 3/4" diameter
 Lip Length: 1 7/32"



Optional tamper resistant torx screw packs

Part No.	Description
C203-311	(4) Latch and Strike Screws, #8-32 x 1/2" (T-15)
C203-312	(2) Latch Screws, #8-32 x 1/2" (T-15) (2) ANSI Strike Screws, #12-24 x 1/2" (T-20)

Torx tools

Part No.	Description
M504-425	T-15 Torx Tool
M504-426	T-20 Torx Tool

Finishes

Schlage Lock finishes are durable, top quality finishes obtained by the careful processing of solid brass, bronze, stainless steel, or other materials. When required, a protective clear coating is applied and cured under high temperature. It is important that climatic conditions and usage be taken under consideration when selecting finishes. This is especially true in areas subjected to strong corrosive vapors, humid climate, or sea air, which, in a short time, may have a damaging effect on metal finishes.

The longevity and preservation of the finish appearance is determined by base metal and finishing process. Clear protective coating or other organic finishing applications may require different methods of cleaning and care. As an example, non-clear coated finishes should not be cleaned with soaps or any solvents; organically coated surfaces should periodically be cleaned with a mild non-abrasive soap and buffed lightly with a clean cloth. The type of base metal and finishing techniques must be considered when applying any cleaning or preservative method. Contact the Schlage Technical Services Department for further information on the care of finished hardware.

In some instances, for customer convenience, the most appropriate BHMA (Builders Hardware Manufacturers Association) finish symbols are used to indicate similarity of appearance regardless of base metal or finishing process. A-Series levers are zinc based material and are plated to match finishes indicated. Finish numbers in the 600-Series are the BHMA industry standard. The nearest old U.S. equivalent code designations are shown in parentheses ().

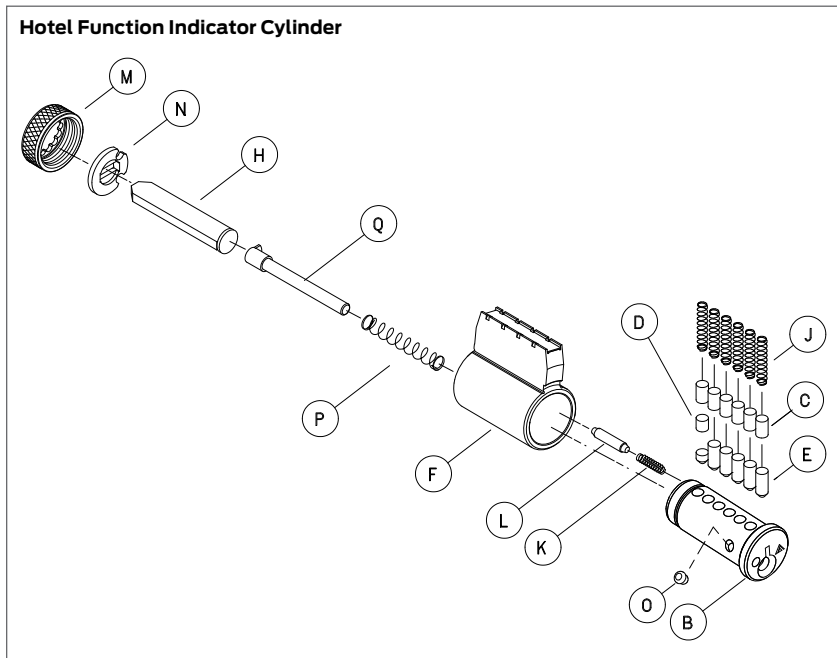
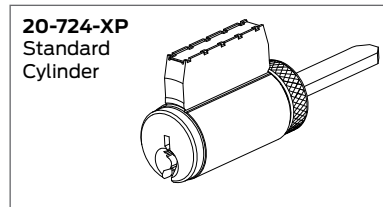
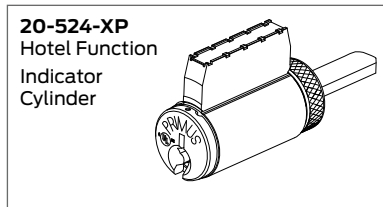
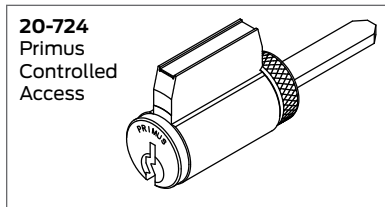
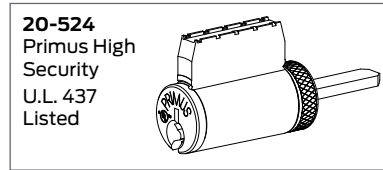
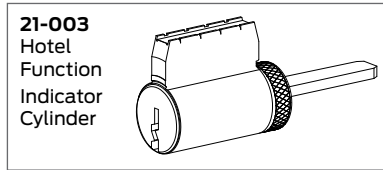
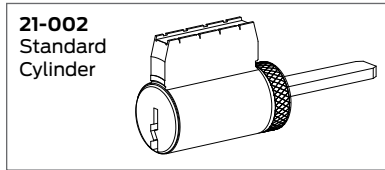
Code		Description
605	US (3)	Bright Brass, Clear Coated
606	US (4)	Satin Brass, Clear Coated
609	US (5)	Satin Brass, Blackened Satin Relieved, Clear Coated
610	US (7)	Bright Brass, Blackened Bright, Relieved, Clear Coated
611	US (9)	Bright Bronze
612	US (10)	Satin Bronze, Clear Coated
613	US (108)	Oil Rubbed Bronze, Oxidized Satin, Bronze, Oil Rubbed, No Coating
616	US (11)	Antique Bronze
625	US (26)	Bright Chromium Plated, No Coating
626	US (260)	Satin Chromium Plated, No Coating
630	US (320)	Satin Stainless Steel, No Coating

Cylinder Units and Parts

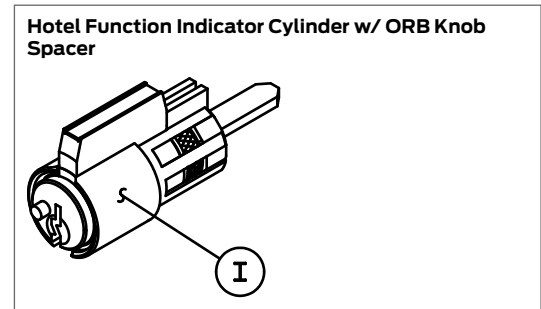
Schlage locks are provided with cylinder units precision built to extremely close tolerances and the highest standards of accuracy. Phosphor bronze springs, nickel silver keys, and pins are used throughout the Schlage offering. The best combination of materials is used to ensure the manufacture of cylinders with ease of operation and long wear. To order locks less cylinder units, change product suffix letter "P" and "L". Example: A53LD. Primus® cylinders are available when key control and physical security are important concerns.

Cylinder Units

Standard Cylinders	Primus Cylinders				Descriptions	Design
	High Security	Controlled Access	XP			
21-002	20-524	20-724	20-524-XP	20-724-XP	6 Pin unit	All except ORB, COM, PLA
21-002-122	20-524-122	20-724-122	20-524-122-XP	20-724-122-XP	6 Pin unit (except A73 & A85)	ORB, COM, PLA
21-002-149	20-524-149	20-724-149	20-524-149-XP	20-274-149-XP	6 Pin unit (A73)	ORB, COM, PLA
21-003	Not Available				6 Pin Indicator unit (A83)	All except ORB, COM, PLA
21-003-168					6 Pin indicator unit (A83)	ORB, COM, PLA



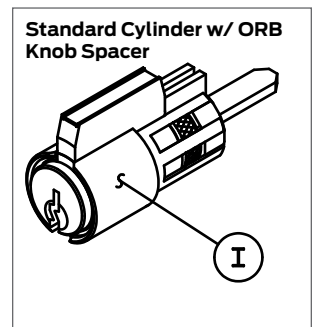
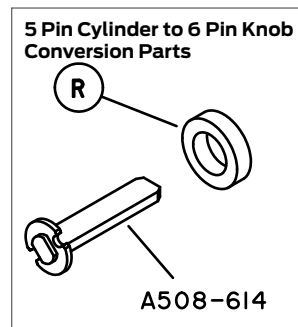
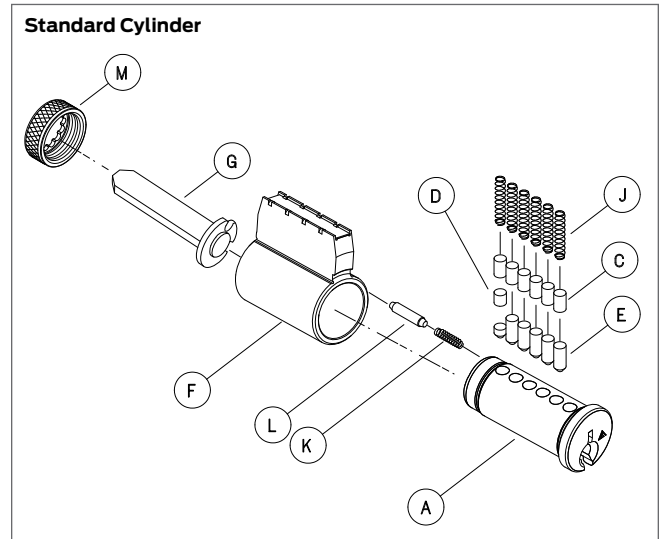
Important: Use only graphite or similar material for cylinder lubrication. Under no circumstances should any other type of material be introduced into the cylinder.



Parts and Accessories

Cylinder Parts

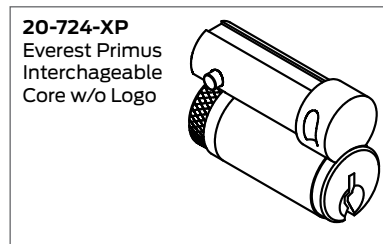
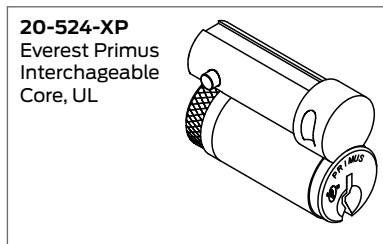
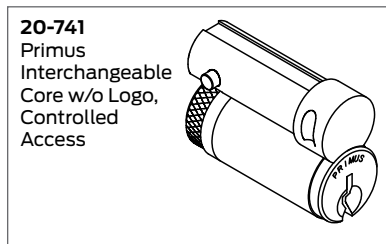
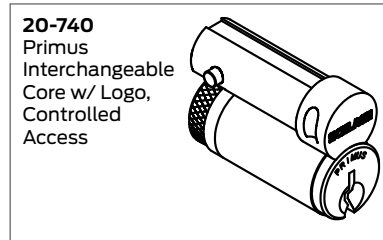
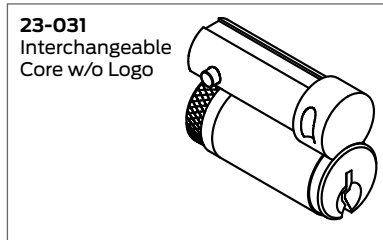
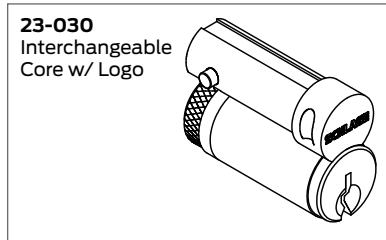
Letter	Part no.	Description
A	33-230	Cylinder plug, 6 pin for 21-002
B	33-235	Cylinder plug, indicator, 6 pin for 21-003
C	34-101 thru 103	#1 thru #3 Top pin
D	34-202 thru 209	#2 thru #9 Master pin
E	34-300 thru 309	#0 thru #9 Bottom pin
F	A201-698	Body, 6 pin
G	A201-934	Bar & driver for 21-002-149
	A301-337	Bar & driver for 20-724, 20-724-XP, 20-524, 20-524-XP
	A301-338	Bar & driver for 21-002-122
	A301-339	Bar & driver A73 Orbit
	A508-606	Bar & driver for 21-001, IDisc.1, & 21-002
	A508-614	Bar & driver for 21-002-122
H	A501-693	Bar for 21-003-168
	A501-991	Bar for 21-003
I	A508-640	Spacer for ORB knob
J	C503-113	Tumbler spring
K	C503-115	Retainer cap spring
L	C503-116	Retainer cap pin
M	C503-118	Retainer cap
N	C503-767	Driver for 21-003
O	C603-195	Obstruction pin for 21-003
	C604-362	Obstruction pin, Everest
P	C604-144	Indicator pin spring for 21-003
	C604-369	Indicator pin spring, Everest
Q	C604-368	Indicator pin, Everest
S	C604-371	Indicator pin for 21-003
T	XA10-594	5 Pin cylinder extension to fit 6 pin knobs (Requires A508-614 bar & driver)



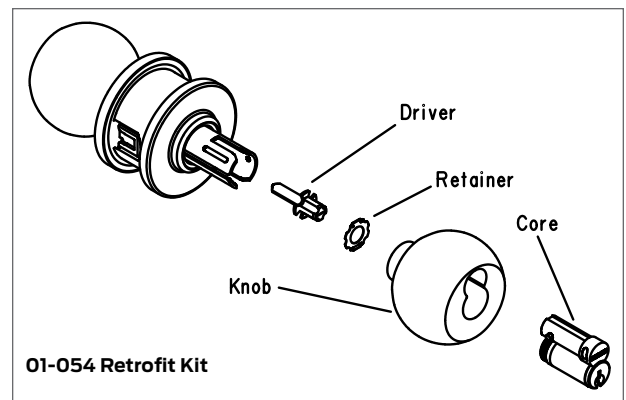
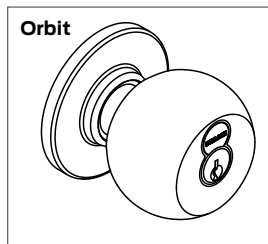
Interchangeable Cores, Designs, and Parts

Available for all A-Series keyed functions, except Hotel/Motel function A85, as complete locks or in retrofit kits. Existing installations can be retrofitted without removing lock from door. To order locks with interchangeable cores, change product suffix letter "P" to "R". Example: A53RD. To order locks less interchangeable cores, change product suffix letter "P" to "J". Example: A53JD. Primus® cores are available when key control and physical security are important concerns.

Interchangeable Cores

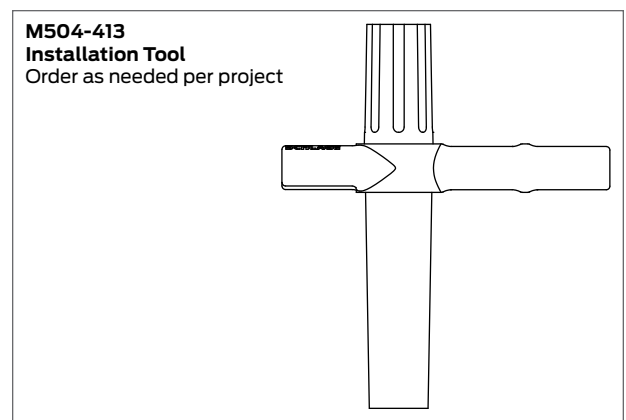


Interchangeable Core Designs



Interchangeable Core Accessory and Service Parts

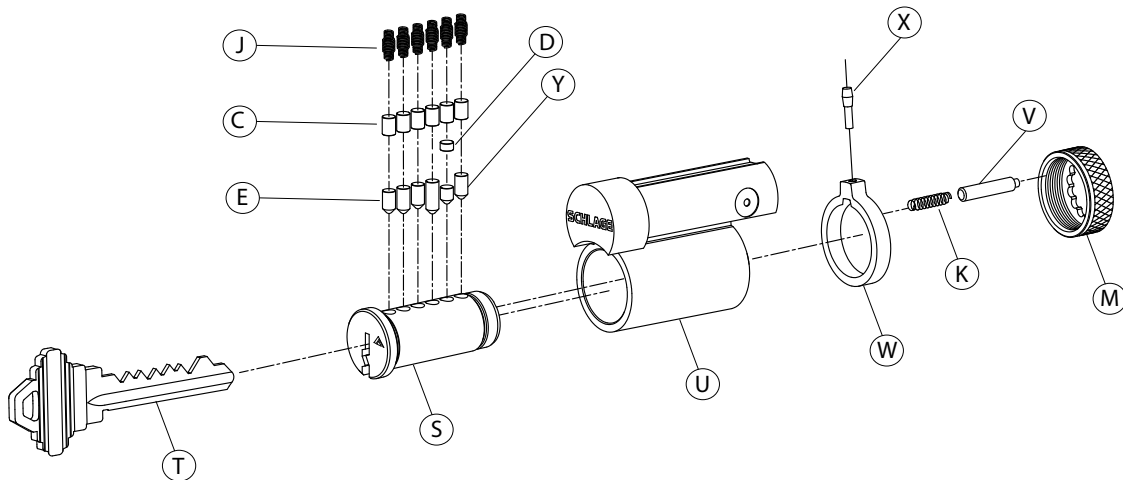
Part no.	Description
01-026	Knob only
01-053	Driver and retainer
01-054	Knob, core, driver, and retainer
20-524-122-XP	Everest Primus Interchangeable Core, UL
20-724-122-XP	Everest Primus Interchangeable Core w/o Logo
20-740	Primus interchangeable core w/ logo
20-741	Primus interchangeable core w/o logo
23-030	Interchangeable core w/ logo
23-031	Interchangeable core w/o logo
A501-941	Retainer
C604-307	Driver
M504-413	Installation tool



Parts and Accessories

Interchangeable Core

To remove interchangeable core, insert control key and turn 15° to the right until action stops. Pulling on key will extract core from the knob. To install a new core, insert control key and push core into housing, rotate key 15° to the right and insert core completely. Rotate key back to original position and remove control key.



Interchangeable Core Parts

Letter	Part no.	Description
C	34-101 thru 103	#1 thru #3 Top Pin
D	34-202 thru 209	#2 thru #9 Master Pin
E	34-300 thru 309	#0 thru #9 Bottom pin
J	C503-113	Tumbler spring
K	C503-115	Retainer cap spring
M	C503-118	Retainer cap
S*	33-235	Plug, Everest interchangeable core

Letter	Part no.	Description
T	35-056	Control key, blank
	48-056	Control key, cut
U*	B220-282	Interchangeable core body, w/ logo
	B220-283	Interchangeable core body, w/o logo
V	C603-347	Retainer cap pin
W*	C603-956	Actuating ring
X*	C603-964	Actuating pin
Y*	C603-967	Control pin

* Parts not compatible with cores manufactured before 1991.

Important: Use only graphite or similar material for cylinder lubrication. Under no circumstance should any other type of material be introduced into the cylinder.

Lubrication

A-Series lock mechanisms are designed for durability and seldom need servicing. During assembly, those points of contact which require lubrication for ease of operation are given on application of high quality petroleum based grease. A touch of graphite is applied to the pin tumbler plug during assembly of the cylinder unit. No further servicing should be required for an extended period except where locks are subjected to extremely heavy traffic. Also, if located in particularly dusty or dirty areas, the grease may become contaminated resulting in a slow or otherwise unsatisfactory operation. The case mechanism should then be cleaned in a non-corrosive petroleum solvent and relubricated. Graphite only should be applied to the cylinder unit by blowing a small quantity into the keyway.

→ Note: Precautionary measures according to solvent manufacturers instructions should always be followed.

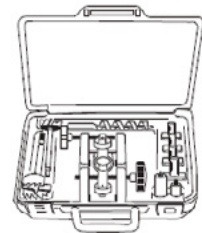
Installation Tools and Kits

Boring jig and tools are designed to provide fast and accurate lock installation. Complete kit contained in a heavy gage metal box, or individual tools can be ordered for preparing doors and jambs for Schlage products.

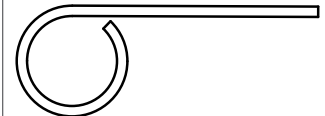
For A, AL, B, D, F, H, and S200-series locks. Adjustable for 2 3/8" and 2 3/4" backsets. Designed for special high speed hexagonal shank boring bits and equipped with an adaptor to form an integrated unit for boring doors 1 1/2" to 1 3/4" thick.

Part No.	Description
40-148	Installation JIG
M504-497	Case Only
40-176	2 1/8" Multi Spur Bit
40-177	1 1/2" Multi Spur Kit
40-030	1 1/8" x 2 3/4" Strike Chisel
40-032	1 1/8" x 2 1/4" Latch Chisel
40-175	1" Bit
40-178	Quick Change Bit Adapter
40-179	1" Strike Locator
40-029	Full Lip Strike Chisel
40-031	1 1/8" x 2 1/4" Latch Chisel

40-147
Installation Kit

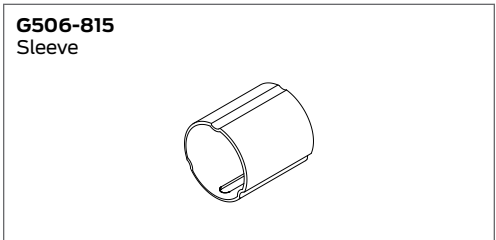
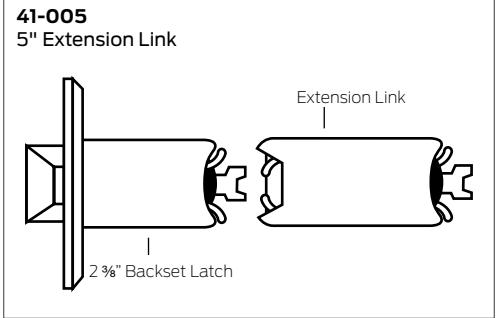


M504-271
Pin Wrench
For depressing knob catches on A and D-Series locks.



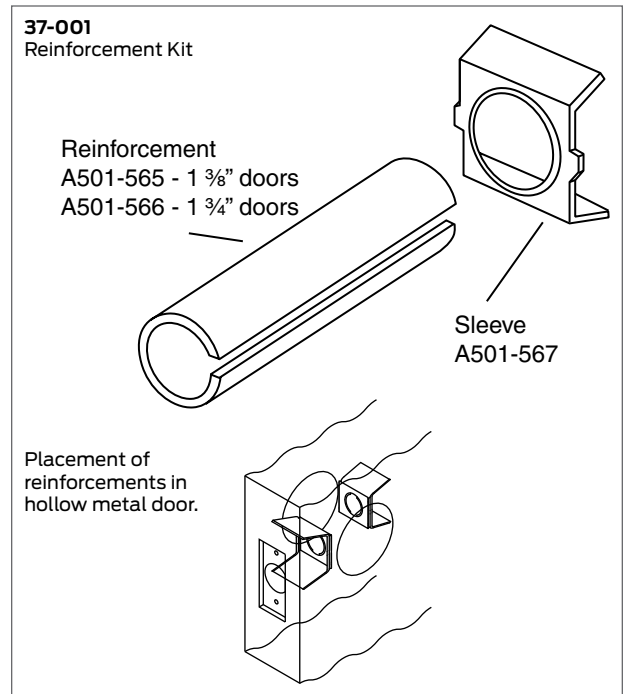
Long Backsets

Backsets 5" and over require extension links. A-Series locks with long backsets are normally furnished with 1" faceplates and $\frac{7}{8}$ " housings. Links installed in 1" latch holes require one G506-815 sleeve (order separately) to join latch and link.



Reinforcement Kit

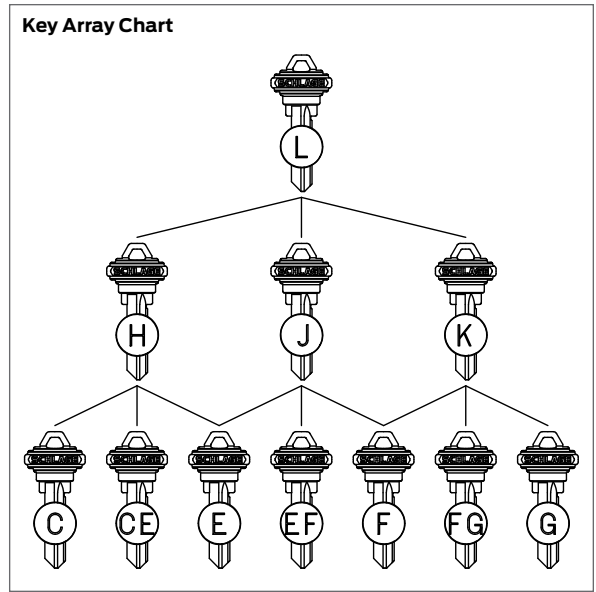
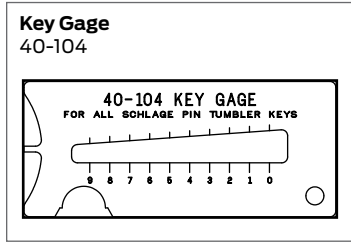
The Schlage 37-001 reinforcement kit is to reinforce and help prevent the collapse of hollow metal doors when locksets are tightly mounted. This kit should be used with long backsets for installations in hollow metal doors to prevent lateral movement of latch bolt. Specify door thickness $1\frac{3}{8}$ " or $1\frac{3}{4}$ " when ordering.



Keying

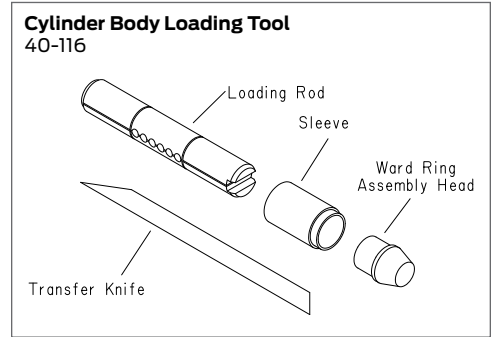
The Schlage Masterkey Department determines and makes the final decision in the selection and use of key sections. Other keyways than shown below are available. Allocation of other keyways is based on need and extent of the final system. Priority is given to key systems that require a large number of cylinders and families of key sections to satisfy their keying requirements. Contact your Schlage representative for availability of other keyways.

Order the Schlage key gage to accurately measure the depth of key cuts.



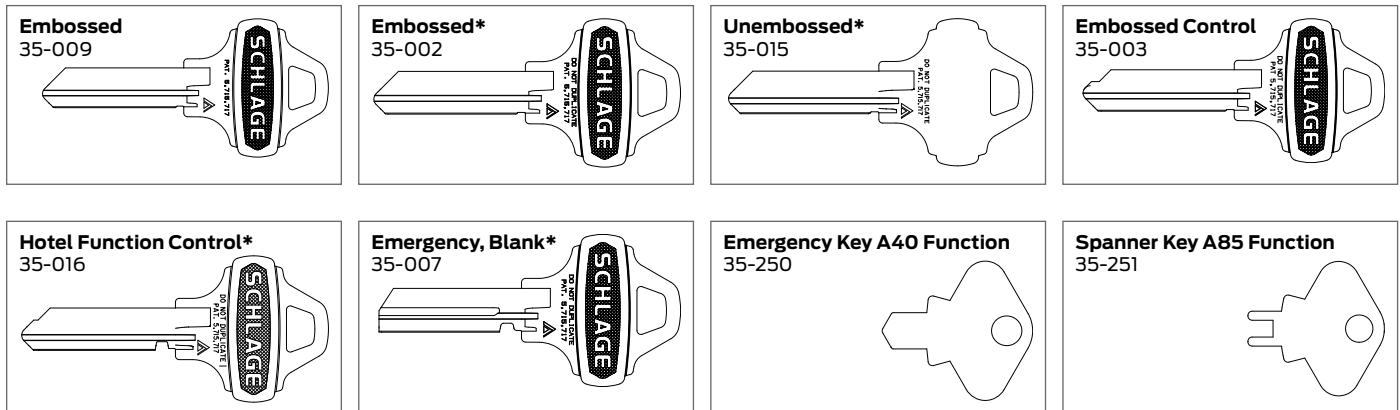
Cylinder Body Loading Tool

A compact precision tool for loading top pins and springs and for installation of ward rings into grooves of a worded cylinder plug. Furnished with complete assembly instructions.



Pin Tumbler Keys

All Schlage locks come with two nickel silver keys as standard, embossed with our company logo. The nickel silver alloy from which all Schlage keys are made provides the base for accuracy in cutting and long cylinder wear. Schlage will stamp "DO NOT DUPLICATE" across the bow of all versions of its keys at no extra charge when specified on orders.



* stamped with "Do Not Duplicate"

About Allegion

Allegion (NYSE: ALLE) creates peace of mind by pioneering safety and security. As a \$2 billion provider of security solutions for homes and businesses, Allegion employs more than 7,800 people and sells products in more than 120 countries across the world. Allegion comprises 23 global brands, including strategic brands CISA®, Interflex®, LCN®, Schlage® and Von Duprin®.

For more, visit www.allegion.com.

aptiQ ■ LCN ■ **SCHLAGE** ■ STEELCRAFT ■ VON DUPRIN