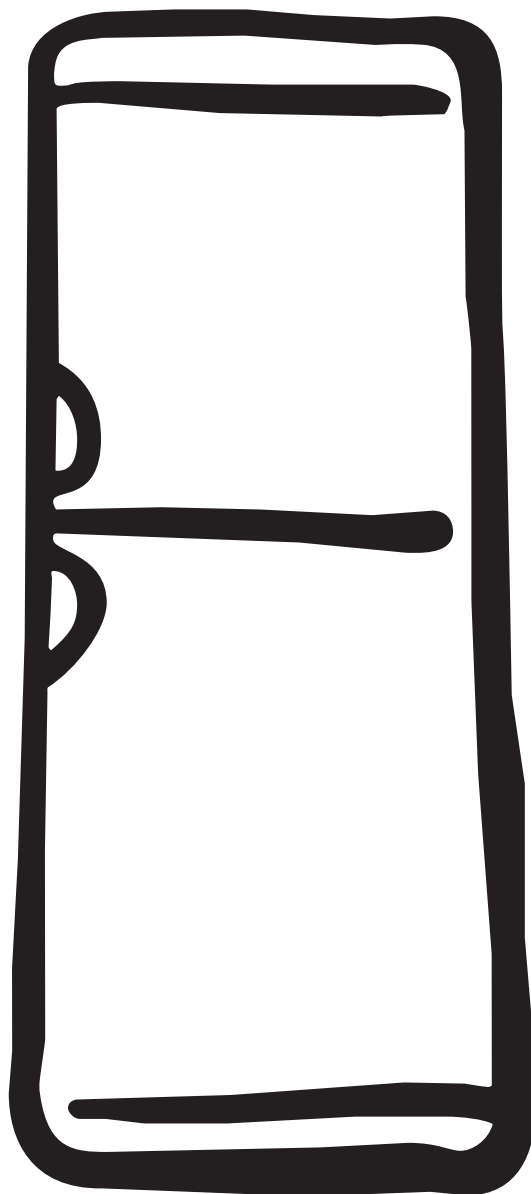


fridge - freezer

# INSTRUCTION BOOKLET



ER 3161 BN    ER 3166 BN  
ER 3161 BNN    ER 2866 BN

# Contents

## Instructions for the User

<b>Safety Instructions</b>	<b>2</b>
<b>Description of the Appliance</b>	<b>3</b>
Control Panel	4
<b>Using the Appliance</b>	<b>5</b>
Before Use	5
Starting the Appliance	5
Freezer Compartment	5
Freezing Fresh Food	5
Frozen Food Storage	5
Refrigerator Compartment	5
<b>Food Storage</b>	<b>6</b>
Energy Saving Advice	6
In the Event of a Power Failure	6
<b>Maintenance and Cleaning</b>	<b>7</b>
<b>Something Not Working</b>	<b>8</b>
<b>Normal Operating Sounds</b>	<b>9</b>
<b>Service &amp; Spare Parts</b>	<b>9</b>
<b>Customer Care Department</b>	<b>9</b>
<b>Electrolux Service Force</b>	<b>10</b>

## Instructions for the Installer

<b>Technical Specifications</b>	<b>12</b>
<b>Installation</b>	<b>13</b>
Unpacking	13
Positioning	13
Ventilation	13
Leveling	13
<b>Electrical Connection</b>	<b>14</b>
Electrical Requirements	14
<b>Door reversal</b>	<b>15</b>

# Safety Instructions



**These warnings are provided in the interests of your safety. Ensure that you understand them all before installing or using this appliance. If you are unsure of the meanings of these warnings contact the Customer Care Department.**

## Installation

- This appliance is heavy. Care should be taken when moving it.
- It is dangerous to alter the specifications or attempt to modify this product in any way.
- Ensure that the appliance does not stand on the electrical supply cable. If the supply cable is damaged, it must be replaced by a cable available from your local Service Force Centre.
- Any electrical work required to install this appliance should be carried out by a qualified electrician or competent person.
- Parts which heat up should not be exposed. Whenever possible, the back of the appliance should be close to a wall, but leaving the required distance for ventilation, as stated in the installation instructions.
- The appliance should be left for 2 hours after installation before it is turned on, in order to allow the refrigerant to settle.

## Child Safety

- Do not allow children to tamper with the controls or play with the product.
- Keep all packaging material away from children.

## During Use

- This appliance is designed for domestic use only, specifically for the storage of edible foodstuffs only. It is not intended for commercial or industrial use.
- Containers with flammable gases or liquids can leak at low temperatures. Do not store any containers with flammable materials, such as spray cans, fire extinguisher refill cartridges etc. in the refrigerator.
- Frozen food should not be refrozen once it has thawed out.
- Do not place carbonated or fizzy drinks in the freezer compartment.
- Ice lollies can cause frost/freezer burns if consumed straight from the freezer compartment.
- Do not remove items from the freezer compartment if your hands are damp/wet, as this could cause skin abrasions or frost/freezer burns.

- Bottles and cans must not be placed in the freezer compartment as they can burst as the contents freeze.
- Manufacturers recommended food storage times should be adhered to. Refer to the relevant instructions.
- Do not use electrical appliances inside the fridge / freezer.

## Maintenance and Cleaning

- Before cleaning, always switch off the appliance and disconnect from the electrical supply.
- When unplugging always pull the plug from the mains socket, do not pull on the cable.

## Servicing

- This product should be serviced by an authorised engineer and only genuine spare parts should be used.
- Under no circumstances should you attempt to repair the appliance yourself. Repairs carried out by inexperienced persons may cause injury or serious malfunction. Contact your local Electrolux Service Force Centre.

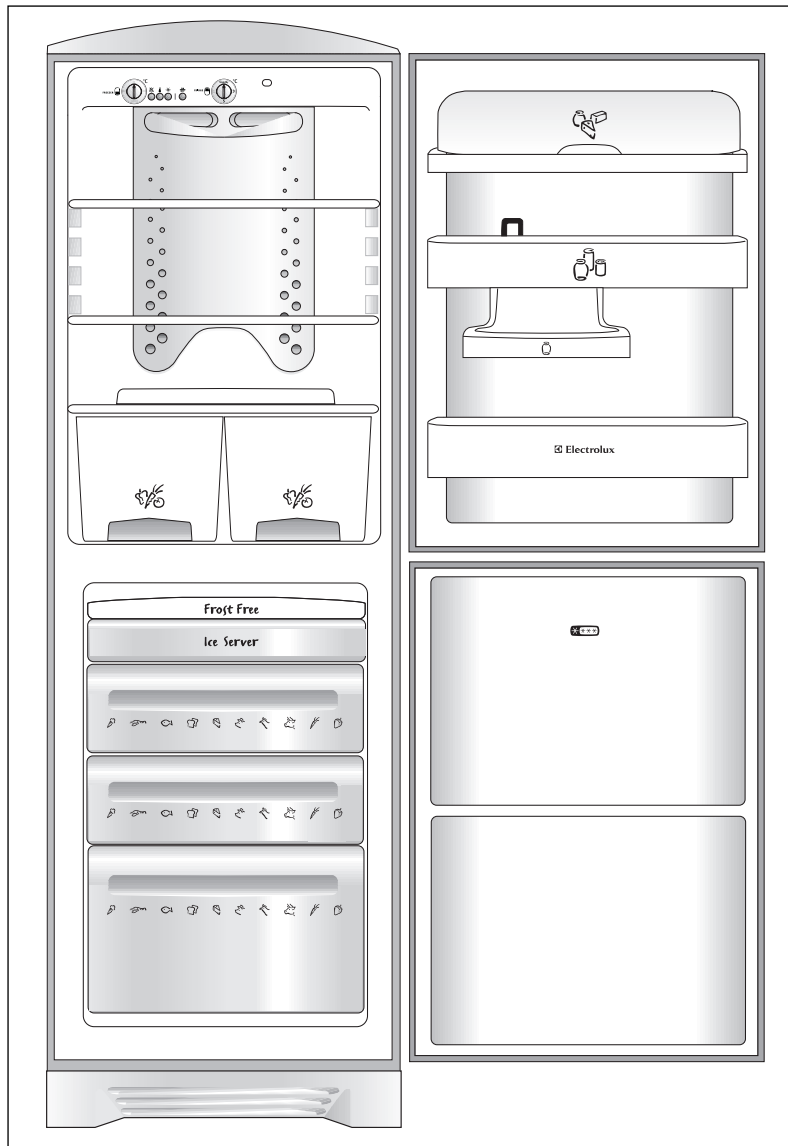
## Disposing of Old Appliances

- Remove the doors to prevent small children being trapped in side. Cut off and dispose of the plug and cable.
- Use an authorised disposal site.

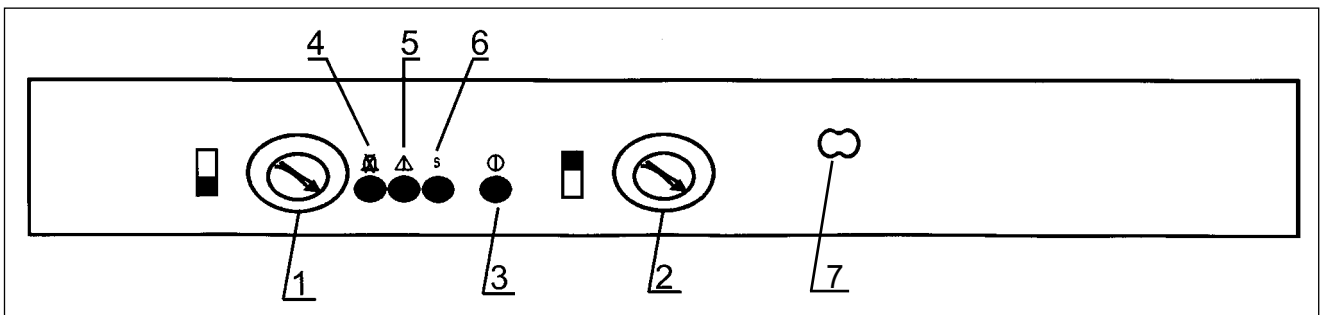
**Keep this instruction book for future reference and ensure it is passed on to any new owner**

# Description of Appliance

The model shown here is ER3161BN



## Control Panel



- 1 Freezer Temperature Control
- 2 Fridge Temperature Control
- 3 ON/OFF Button
- 4 Door Alarm

- 5 Temperature Alarm
- 6 Fast Freezer Button
- 7 Indicator Lights

## Control Panel

The appliance controls are located in the top panel inside the refrigerator compartment.

### Thermostat Control

The freezer and fridge thermostats control the temperature inside the freezer and refrigerator respectively.

#### 1. The Freezer Temperature Control

The freezer temperature control, regulates the temperature within the freezer compartment. A change in the control setting in the freezer compartment could affect the temperature in the refrigerator compartment under certain circumstances.

- 7 Maximum coldness
- 1 Minimum coldness

An intermediate position is usually the most suitable, although the temperature will be affected by:

- Room temperature
- How often the door is opened
- How much food is stored
- Position of the appliance

In determining the correct temperature control setting all of these factors have to be considered and some experimentation may be necessary.

When altering the temperature settings, allow 24 hours for the temperature to stabilise before making further changes.

#### 2. The Fridge Temperature Control

The fridge temperature control regulates the temperature within the fridge compartment, by regulating the cold airflow. An intermediate setting is usually the most suitable, although some experimentation may be necessary to obtain the correct temperature.

- 5 Maximum coldness
- 1 Minimum coldness
- Standby

Turn the control knob to the standby position if you wish to switch off the fridge, but leave the freezer in operation (for example, when on holiday). Leave the doors shut when in Standby operation.

#### 3. ON/OFF Button

To switch the appliance on or off, press the ON/OFF button continuously for 3 seconds. When the appliance is switched on, the ON/OFF button and the Freezer and Fridge control knobs will be illuminated.

#### 4. The Door Alarm

If either of the doors are left open, the door alarm will sound and the alarm button will flash red. Press the alarm button to switch off the alarm, the light will stop flashing but will remain red. To switch off the alarm and the light shut the doors.

#### 5. Temperature Alarm

If the internal temperature inside the appliance is too high for the safe storage of frozen food, an alarm will sound and the temperature alarm button light will start to flash. The temperature may rise for the following reasons:

- The doors have been left open
- There has been a power failure
- A large quantity of food has been added to the appliance.
- The thermostat controls may be incorrectly set.
- There is a fault.

To switch off the alarm, press the alarm button. The audible signal will stop. The light will stop flashing, but will remain on until the internal temperature has reached the correct storage temperature for frozen food.

#### 6. Fast Freeze Button

Press the fast freeze button approximately 3 hours before freezing fresh food. Once the food is frozen, switch off the fast freeze function by pressing the fast freeze button. The fast freeze function will automatically cancel after 36 hours.

# Using the Appliance



*This appliance is designed for domestic use only, specifically for storage of edible foodstuffs.*

This appliance is designed to operate in ambient temperatures (surrounding air temperature) between 10°C (50°F) and 32°C (90°F).

If these temperatures are exceeded i.e. colder or warmer, the appliance may not operate correctly.

## Before Use

Remove all transit packaging.

Wash the inside of the appliance with lukewarm water with a little bicarbonate of soda added (5ml to 0.5 litre of water). Do not use soap or detergent as the smell may linger. Dry the appliance thoroughly.



*Do not use detergents, abrasive powders, highly perfumed cleaning products, wax polishes or products containing alcohol.*

## Starting the Appliance

1. Allow the appliance to stand for 2 hours after installation.
2. Plug in the appliance and switch on at the mains supply. Press the ON/OFF button continuously for 3 seconds. The appliance will start operating after a 4 minute delay and the internal light will switch on. The ON/OFF button will illuminate green and the Freezer and Fridge control knob surrounds light up.

*The temperature alarm (a beeping sound) may come on during the start up phase. If this happens push the temperature alarm button.*

3. Set the thermostat controls for the fridge and freezer compartments. See Control Panel section.
4. To ensure safe food storage, allow the appliance to operate with the doors closed for at least 3 hours, before loading with food.

## Freezer Compartment

The freezer will store frozen food at -18°C or colder allowing for long-term frozen food storage and freezing of fresh food.

## Freezing Fresh Food

The maximum quantity of food that can be frozen in 24 hours is shown on the rating plate and in the technical specifications section of this instruction book.

When freezing fresh foods, press the fast freeze button 3 hours before placing the food into the freezer compartment.

When the food is frozen, switch off the fast freeze function. The fast freeze function will automatically cancel after 36 hours.

The Temperature alarm may sound if a lot of new food is put into the freezer, due to a rise in temperature. The alarm will switch off automatically, as the freezer temperature drops. Push the alarm button to switch off the audible signal.

## Frozen Food storage

The freezer will store frozen food at -18°C or colder allowing for long term frozen food storage and freezing of fresh food.

Pre packed commercially frozen food should be stored in accordance with the manufacturers instructions for a 4 star frozen food compartment and should be put in the freezer as soon as possible after purchase. Your freezer provides for long-term storage which generally means up to 3 months but the length of the time can vary and it is important to follow the recommended times shown on packets of commercially frozen food.

## Refrigerator Compartment

This compartment is designed to store drinks and fresh food. The inner temperature is normally uniform and is kept cool by cold circulating air. Try to avoid putting food products flush against the air vents at the back of the fridge as this could cause the foods to freeze.

# Food Storage

## Energy Saving Advice

- Do not install the cabinet close to sources of heat, such as a cooker, dishwasher or radiator.
- Locate the appliance in a cool well-ventilated room and make sure that the air openings of the cabinet are not obstructed.
- Avoid unnecessary frosting in the cabinet by packing all foodstuffs into airtight packages before placing them in the freezer.
- Always leave warm food to cool down to room temperature before placing in the fridge or freezer.
- Food that is to be frozen (when cool) should be placed in the fridge before being transferred to the freezer.
- Do not put any hot food into the freezer.
- Thaw frozen food in the fridge. This will ensure safer defrosting of foods and reduce the work of the refrigeration unit.
- Try to avoid keeping the door open for long periods, or opening the door too frequently as warm air will enter the cabinet, and cause the compressor to switch on unnecessarily often.
- Ensure there are no obstructions preventing the door from closing properly.
- To obtain the best results from your appliance, neither hot foods nor liquids, which may evaporate should be placed in the larder compartment.
- Avoid buying frozen food if you cannot store it straight away. The use of an insulated container is advisable. When you arrive home place the frozen food in the freezer immediately.
- Keep the time between buying chilled food and placing it in your fridge as short as possible.
- Do not push food together too much; try to allow air to circulate around each item.
- Do not store food uncovered.
- Wrap the food up properly or place it in airtight containers before putting it into the fridge freezer.
- Ensure that food placed in the freezer is dated and labeled and used in date order to ensure that food is consumed at its best.
- Remove suspect food from your fridge freezer and clean, refer to 'Maintenance and Cleaning'.
- Do not allow fresh food to touch food that is already frozen
- Food and drinks, which have a strong odour, may affect other foods and drinks if not stored correctly.

### In the Event of a Power Failure

If there is a power failure during the storage of frozen foods, keep the door closed. If the temperature within your freezer should rise do not refreeze the food without checking its condition. The following guidelines should assist you.

**Ice Cream:** Once thawed should be discarded.

**Fruit and Vegetables:** If soft should be cooked and used up.

**Bread and Cakes:** Can be refrozen without danger.

**Shellfish:** Should be refrigerated and used up quickly.

**Cooked Dishes:** i.e. casseroles should be refrigerated and used up.

**Large Pieces of Meat:** Can be re-frozen providing there are ice crystals remaining within them.

**Small Joints:** Should be cooked and then re-frozen as cooked dishes.

**Chicken:**

Should be cooked and re-frozen as a fresh dish.

# Maintenance and Cleaning



Before any maintenance or cleaning work is carried out **DISCONNECT** the appliance from the **ELECTRICITY** supply.

## External Cleaning

Wash the outer cabinet with warm soapy water.



Do not use abrasive products. There may be sharp edges on the underside of the product so care should be taken when cleaning.

Ensure the vents at the back of the appliance are clear of dust and debris etc.

## Internal Cleaning

Clean the inside and accessories with warm water and bicarbonate of soda (5ml to 0.5 litre of water).

Rinse and dry thoroughly.

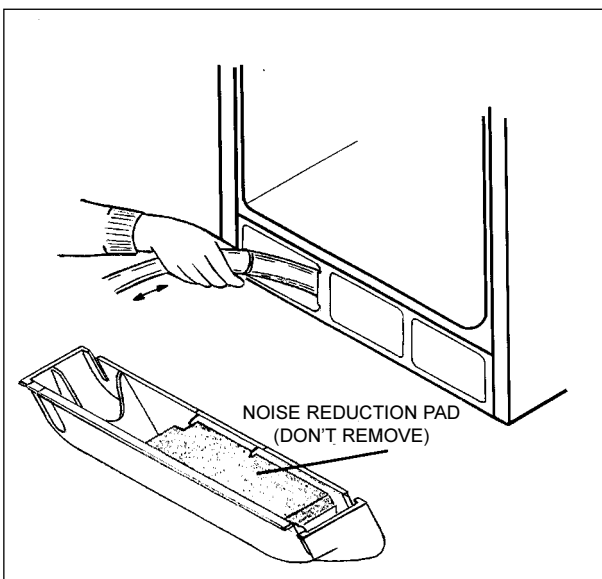


Do not use detergents, abrasive powders, highly perfumed cleaning products, wax polishes or cleaning products containing bleach or alcohol.

Regularly check the door seals and wipe clean to ensure they are clean and free from debris.

## Cleaning the Condenser

The Condenser at the bottom of your appliance needs to be cleaned periodically. Remove the plinth, and clean with a vacuum cleaner. Ensure the plinth is replaced after cleaning.

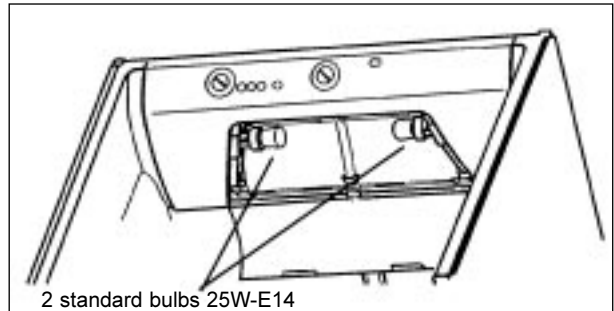


## Defrosting

Your appliance is frost free, which means there is no need to manually defrost your appliance, as this will be carried out automatically.

## Changing the light bulb

1. Switch off the appliance by pressing the ON/OFF button, and then unplug the appliance.
3. Open the plastic light cover, by pushing upwards on the centre clip. The cover will then swing down.
4. Unscrew the light bulb and replace with a bulb with the following specifications:



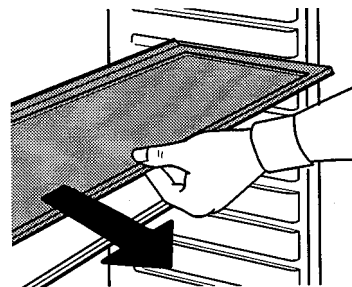
## When the appliance is not in use

When the appliance is not in use for long periods, disconnect from the electricity supply, empty all of the food and clean the inside of the appliance. Switch off the appliance and leave the door ajar to prevent unpleasant smells.

## Storage shelves

This appliance is equipped with plastic storage shelves. The storage shelves can be adjusted to various heights:

1. Pull the storage shelf forward and remove.
2. Insert a different height.





# Something Not Working

If your appliance is not operating correctly, carry out the following checks before contacting your local Service Force Centre.

**Important:** If you call out an engineer to a fault listed below, or to repair a fault caused by incorrect use or installation a charge will be made, even if the appliance is under guarantee.

Symptom	Cause	Solution
Interior Light (refrigerator) does not work	• Appliance is not plugged in	• Plug in the appliance
	• The appliance is not switched on	• Switch on the appliance
	• There is no power to the appliance	• Check the main fuse box in the house
	• The bulb is not fitted correctly or has fused.	• Refit the bulb or replace with a new bulb
The appliance does not cool down sufficiently	• The doors have not been closed properly	• Close the doors
	• A door has been opened frequently	• Avoid frequent opening of the doors
	• The temperature control knob is not set correctly	• Reset as required
	• Food has been introduced into the appliance	• The appliance will cool down in due course.
Food is freezing in the fridge	• The temperature control knob is incorrectly set	• Reset as required
	• Food is too close to ventilation holes at the back	• Reposition food, leaving a gap.
The motor works continuously	• Temperature control knob is incorrectly set	• Change the setting
	• The doors are not properly closed	• Close the doors
	• Doors have been opened frequently	• Avoid frequent opening of the doors
	• Food has recently been introduced into the appliance	• The appliance will cool down in due course.
	• The condenser is dirty	• Clean (read the Maintenance & Cleaning section).
Water/condensation in the vegetable drawer	• Wet vegetables have been put into the box	• This may occur from time to time
Condensation on the outside of the cabinet	• High humidity level in the room.	• It does not affect the performance of the appliance. Increase the room ventilation.
Doors do not close	• The appliance is not level	• Level the appliance correctly
	• The doors are incorrectly aligned	• Re-align the doors
	• Food is preventing the doors shutting	• Re-position food
Noises	• The appliance may not be level	• Level the appliance
	• Something may be vibrating inside	• Check the contents and shelves are properly positioned.
All product lights start flashing and the alarm sounds	• Your product has a major fault	• Contact your local Service Force Centre

# Normal Operating Sounds

**1. Temperature control**

May cause clicking sounds when the system is connected or disconnected.

**2. Cooling system**

The injected cooling gas may produce a gurgling sound while passing through the tubes.

**3. Motor**

May cause a humming noise and or slight knocking sound.

**4. Fans**

You may occasionally hear the fans working. This is normal; the fans help to ensure the air circulates more effectively.

## Service and Spare Parts

In the event of your appliance requiring service, or if you wish to purchase spare parts please contact your local Electrolux Service Force Centre by telephoning:

**08705 929 929**

Your call will be routed to the Service Force Centre covering your postcode area. The address of your local Service Force Centre is detailed on the following pages.

Before calling out an engineer, please ensure you have read the details under the heading 'Something Not Working'.

When you contact the Service Centre you will need to give the following details.

1. Your name, address and postcode
2. Your telephone number
3. Clear and concise details of the fault
4. The model and serial number of the appliance (found on the rating plate)
5. The purchase date

## Customer Care Department

For general enquiries concerning your Electrolux appliance or for further information on Electrolux products, you are invited to contact our Customer Care Department by letter or telephone at the address below or visit our website at <http://www.electrolux.se>

Customer Care Department  
Electrolux  
55-77 High Street  
Slough  
Berkshire  
SL1 1DZ

Telephone: 08705 950 950 \*

\* Calls to this number may be recorded for training purposes.

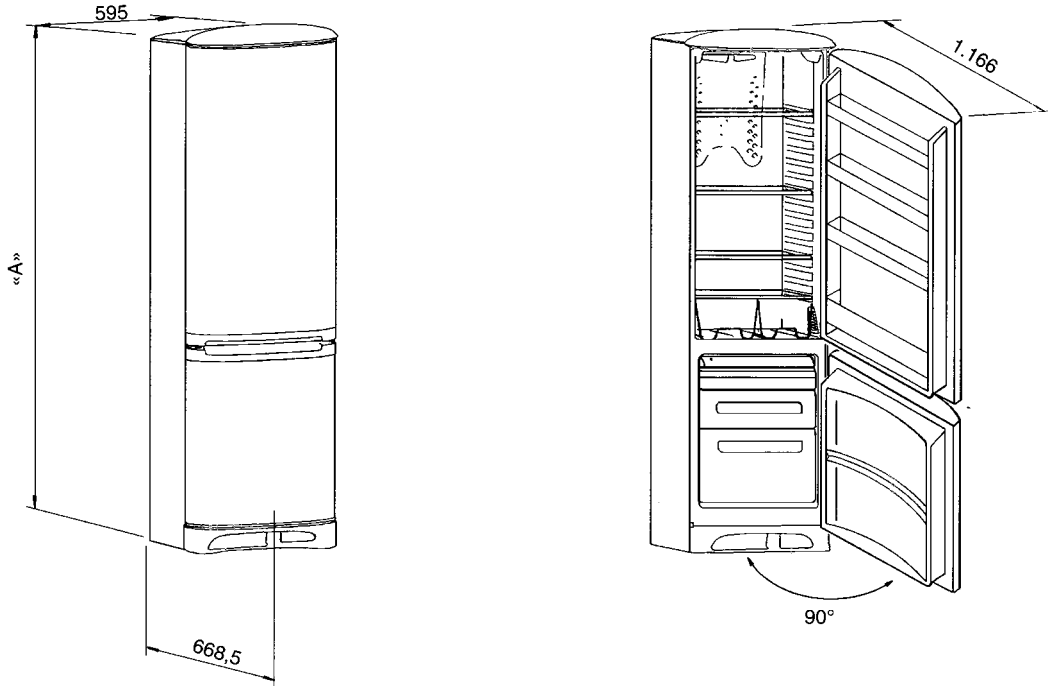
To contact your local Electrolux Service Centre telephone **08705 929 929**

<b>CHANNEL ISLANDS</b>  <b>GUERNSEY</b> Guernsey Electricity PO Box 4 Vale, Guernsey Channel Islands GY1 3AD	<b>ORKNEY</b> 7 King Street Kirkwall Orkney KW15 1JF	<b>NORTH EAST</b>  <b>GATESHEAD</b> Unit 356a Dukesway Court Dukesway Gateshead    NE11 0BH
	<b>PERTH</b> Scottish Hydro Electric Central Warehouse Inveralmond Perth PH1 3AF	
<b>JERSEY</b> Jersey Electricity Company Haut De L'orme Rue De Haut De L'orme Trinity Jersey Channel Islands JE3 3FG	<b>EDINBURGH</b> Unit 12 Dumbryden Ind. Estate 2 Dumbryden Road Edinburgh EH14 2AB	<b>HULL</b> Unit 1 Boulevard Industrial Estate Hull HU3 4AY
<b>SCOTLAND</b>  <b>ABERDEEN</b> 54 Claremont Street Aberdeen AB10 6RA	<b>SHETLAND</b> 3-4 Carlton Place Lerwick Shetland ZE1 0PW	<b>LEEDS</b> 64-66 Cross Gates Road Cross Gates Leeds LS15 7YS
	<b>AUCHTERMUCHY</b> 33a Burnside Auchtermuchy Fife KY14 7AJ	<b>SHETLAND</b> Bolts Shetland 26 North Road Lerwick Shetland ZE1 0PE
<b>BLANTYRE</b> Unit 5 Block 2 Auchenraith Ind. Estate Rosendale Way Blantyre G72 0NJ	<b>WHALSAY</b> Leask Electrical Harisdale Symbister, Whalsay Shetland ZE2 9AA	<b>SHEFFIELD</b> Pennine House Roman Ridge Road Sheffield S9 1GB
<b>DUMFRIES</b> 93 Irish Street Dumfries DG1 2 PQ	<b>NORTHERN IRELAND</b>	
<b>DUNOON</b> 7 Hill Street Dunoon Argyll PA23 7AL	<b>BELFAST</b> Owenmore House Kilwee Business Park Dunmurry Belfast BT17 0HD	<b>NORTH WEST</b>
<b>GLASGOW</b> Unit 4 Wellington Road Bishopriggs Glasgow G64 2SA	<b>WALES</b>	
<b>INVERNESS</b> Unit 3BI Smithton Ind. Estate Smithton Inverness IV2 7WL	<b>CARDIFF</b> Unit 4 Guardian Industrial Estate Clydesmuir Road Cardiff CF2 2QS	<b>BIRKENHEAD</b> 1 Kelvin Park Dock Road Birkenhead CH41 1LT
<b>ISLE OF ARRAN</b> Arran Domestics The Douglas Centre Brodick Isle of Arran KA27 8AJ	<b>CLYWD</b> Unit 6-7 Coed Parc Abergele Road Rhuddlan Clwyd LL18 5UG	<b>CARLISLE</b> Unit 7 James Street Workshops James Street Carlisle Cumbria CA2 5AH
<b>ISLE OF BARRA</b> J Zerfah 244 Bruernish Isle of Barra Western Islands HS9 5QY	<b>DYFED</b> Unit 9 St. Clears Business Park Tenby Road St. Clears Carmarthen SA33 4J	<b>ISLE OF MAN</b> South Quay Ind. Estate Douglas Isle of Man IM1 5AT
<b>ISLES OF BUTE</b> Walker Engineering Glenmhor Upper Serpentine Road Rothesay Isle of Bute PA20 9EH	<b>OSWESTRY</b> Plas Ffynnon Warehouse Middleton Road Oswestry SY11 2PP	<b>BOLTON</b> Unit B Central Industrial Estate St Marks Street Bolton BL3 6NR
<b>ISLE OF LEWIS</b> ND Macleod 16 James Street Stornoway Isle of Lewis PA87 2QW		<b>PRESTON</b> Unit 250 Dawson Place Bamber Bridge Preston Lancashire PR5 8AL
<b>KELSO</b> 2, 6 & 8 Woodmarket Kelso Borders TD5 7AX		<b>STOCKPORT</b> Unit 20 Haigh Park Haigh Avenue Stockport SK4 1QR

To contact your local Electrolux Service Centre telephone **08705 929 929**

MIDLANDS		LONDON & EAST ANGLIA		SOUTH EAST	
BIRMINGHAM	66 Birch Road East Wyrley Trading Estate Wilton Birmingham B6 7DB	BECKENHAM	11a Gardener Ind. Estate Kent House Lane Beckenham Kent BR3 1QZ	ASHFORD	Unit 2 Bridge Road Business Est. Bridge Road Ashford Kent TN23 1BB
BOURNE	Pinfold Road Bourne PE10 9HT	CHELMSFORD	Hanbury Road Widford Ind Estate Chelmsford Essex CM12 3AE	FLEET	Unit 1 Redsfield Ind. Estate Church Crookham Fleet Hampshire GU13 0RD
BRIDGNORTH	68 St. Mary's Street Bridgnorth Shropshire WV16 4DR	COLINDALE	Unit 14 Capitol Park Capitol Way Colindale London NW9 0EQ	HAYWARDS HEATH	21-25 Bridge Road Haywards Heath Sussex RH16 1UA
GLOUCESTER	101 Rycroft Street Gloucester GL1 4NB	ELTHAM	194 Court Road Mottingham Eltham London SE9 4EW	TONBRIDGE	Unit 30 Deacon Trading Estate Morley Road Tonbridge TN9 1RA
HEREFORD	Unit 3 & 4 Bank Buildings Cattle market Hereford HE4 9HX	ENFIELD	284 Alma Road Enfield London EN3 7BB	<b>SOUTH WEST</b>	
HIGHAM FERRERS	30 High Street Higham Ferrers Northants NN10 8PL	GRAVESEND	Unit B4 Imperial Business Estate West Mill Gravesend Kent DA11 0DL	BARNSTAPLE	Main Road Fremington Barnstaple North Devon EX31 2NT
ILKESTON	Unit 2 Furnace Road Ilkeston DE7 5EP	LETCHWORTH	16-17 Woodside Ind. Estate Works Road Letchworth Herts SG6 1LA	BOURNEMOUTH	63-65 Curzon Road Bournemouth Dorset BH1 4PW
LEICESTER	Unit 7 Oaks Industrial Estate Coventry Road Narborough Leicestershire LE0 5GF	LONDON	2 - 4 Royal Lane Yiewsley West Drayton Middlesex UB7 8DL	BRIDGEWATER	6 Herswell Business Park Salmon Parade Bridgewater Somerset TA6 5PY
LINCOLN	Unit 8 Clifton Street Stonefield Park Lincoln LN5 8LQ	MAIDENHEAD	Reform Road Maidenhead Berkshire SL6 8BY	BRISTOL	11 Eldon Way Eldonwall Trading Estate Bristol Avon BS4 3QQ
NEWCASTLE UNDER LYME	18-21 Croft Road Brampton Ind. Estate Newcastle under Lyme Staffordshire ST5 0TW	MOLESEY	10 Island Farm Avenue West Molesey Surrey KT8 2UZ	EMSWORTH	266 Main Road Southbourne Emsworth PO10 8JL
REDDITCH	13 Thornhill Road North Moons Moat Redditch Worcestershire B98 9ND	NEWBURY	9 Pipers Court Berkshire Drive Thatcham Berkshire RG19 4ER	ISLE OF WIGHT	Unit 8 Enterprise Court Ryde Business Park Ryde Isle of Wight PO33 1DB
TAMWORTH	Unit 3 Sterling Park Claymore Tamworth B77 5DQ	IPSWICH	Unit 6C Elton Park Business Centre Hadleigh Road Ipswich IP2 0DD	NEWTON ABBOT	Unit 2 Zealley Ind. Estate Kingsteignton Newton Abbot TQ12 3TD
WORCESTER	Units 1 & 2 Northbrook Close Gregorys Mill Ind. Estate Worcester WR3 8BP	NORWICH	2b Trafalgar Street Norwich NR1 3HN	REDRUTH	Unit 7D Pool Ind. Estate Wilson Way Redruth Cornwall TR15 3QW
		SUNBURY	Unit 1a The Summit Hanworth Road Sunbury on Thames TW16 5DB		

# Technical Specifications



A distance of 56mm must exist between the appliance and the wall, to allow the door to be fully opened. The refrigeration system and the insulation of this appliance do not contain CFCs or HCFCs.

	<b>ER3161BN</b>	<b>ER3166BN</b>	<b>ER2866BN</b>
	<b>ER3161BNN</b>		
<b>Height (mm)</b>	1850	1850	1700
<b>Width (mm)</b>	595	595	595
<b>Depth (mm)</b>	670	670	670
<b>Power Supply</b>	220-240V / 50Hz	220-240V / 50Hz	220-240V / 50Hz
<b>Energy Consumption kWh/year</b>	507.35	529.25	481.80
<b>kWh/day</b>	1.39	1.45	1.32
<b>Total Power Absorbed</b>	584	584	511
<b>Freezing Capacity (Kg/24hrs)</b>	10	10	10
<b>Gross Capacity (ltrs/cu.ft)</b>			
<b>Fridge</b>	205/7.3	165/5.9	165/5.9
<b>Freezer</b>	130/4.6	165/5.9	130/4.6
<b>Net Capacity (ltrs/cu.ft)</b>			
<b>Fridge</b>	200/7.1	162/5.8	162/5.8
<b>Freezer</b>	95/3.4	125/4.5	95/3.4

\* This figure is based on standard test results in accordance with European Standard EN 153. Actual consumption will depend on how the appliance is used and where it is located.

# Installation

## Unpacking

Remove all transit packaging, including the door transit retainers located under the plinth. (Fig 1) and shelf retainers (Fig 2).

## Positioning

The appliance should be located in a well-ventilated, dry room. To ensure correct operation the appliance should:

- Not be exposed to direct sunlight.
- Not be installed next to radiators, cookers or other sources of heat.
- Only be installed in a location where the ambient temperature corresponds to the climate classification for which the appliance is designed.

The climate classification can be found on the rating plate, which is located on the bottom, left hand side of the fridge compartment. (Fig 3)

Climate Classification	Ambient Operating Temp.
SN	+10 to +32°C
N	+16 to +32°C
ST	+18 to +38°C
T	+18 to +43°C

If the temperature rises above or falls below the stated ambient temperature for the climate class, the operation of the appliance may be affected.

## Ventilation

You should also ensure that air can circulate freely around the back and the top of the cabinet.

Do not block the ventilation grille of the appliance (see fig. 4)

## Levelling

Level the appliance by turning the 2 adjustable feet at the front of the appliance. The appliance must be level to prevent vibration and excessive noise and to ensure the doors shut correctly. (Fig 5)

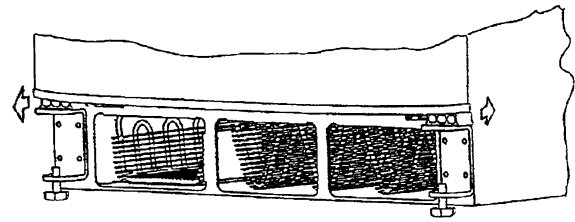


Fig. 1

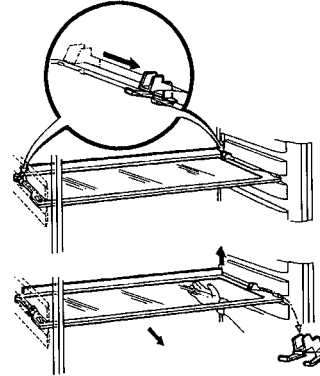


Fig. 2

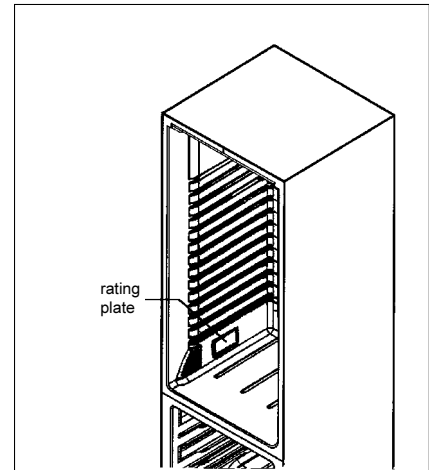


Fig. 3

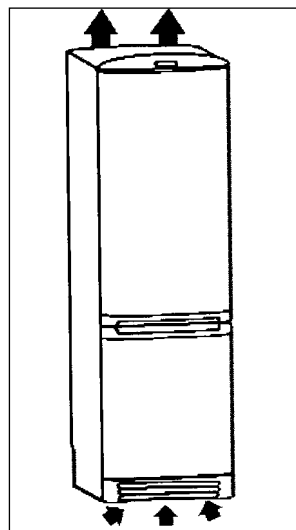


Fig. 4

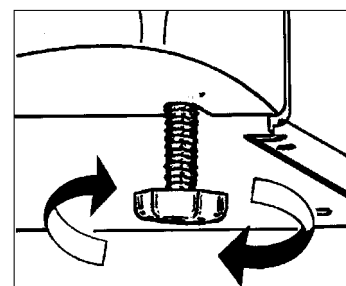


Fig. 5

# Electrical Connection



Any electrical work required to install this appliance must be carried out by a qualified electrician or competent person.

*This appliance must be earthed.*



The manufacturer declines any liability should these safety measures not be observed.

## Electrical Requirements

Before switching on, make sure the electricity supply voltage is the same as that indicated on the appliance rating plate.

The appliance is supplied with a 13 amp plug fitted. In the event of having to change the fuse in the plug supplied, a 13 amp ASTA approved (BS 1362) fuse must be used.

Should the plug need to be replaced for any reason, the wires in the mains lead are coloured in accordance with the following code:

Green and Yellow	- Earth
Blue	- Neutral
Brown	- Live

The wire coloured green and yellow must be connected to the terminal marked with the letter 'E' or by the earth symbol  $\perp$  or coloured green and yellow.

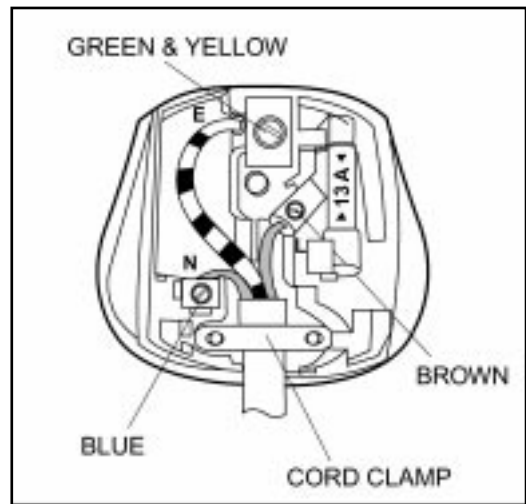
The wire coloured blue must be connected to the terminal marked 'N' or coloured black.

The wire coloured brown must be connected to the terminal marked 'L' or coloured red.

Upon completion there must be no cut, or stray strands of wire present and the cord clamp must be secure over the outer sheath.

## Important

If the mains supply cable is damaged, it must be replaced by a cable available from your local Service Force Centre.



# Door Reversal

If you wish to change the opening direction of the doors, proceed as follows:

1. Open the freezer door. Remove the plinth (A) at the bottom of the appliance, by pushing downwards and pulling outwards. (See fig 5)
2. Remove the hinge cover (B) in the plinth and reposition on the opposite side of the plinth.
3. Whilst supporting the lower door, use a 8mm nut driver to remove the 4 hinge retaining bolts and remove the lower hinge.
4. Carefully lower the door off the central hinge.
5. Support the upper door and remove the two securing screws from the centre hinge. Remove the hinge, taking care that the upper door does not fall, retain the plastic spacer washer.
6. Carefully remove the upper door.
7. Unscrew the small blanking plugs (3) and refit on the opposite side to cover the vacant hinge holes.
8. Unscrew the hinge pin (4) in the upper and lower hinge blades and refit on the opposite side.
9. Change the door self-closing system (5) by moving the device from the freezer door and viceversa.
10. Refit the spacer washers and the upper door onto the upper hinge pin and refit the centre hinge in position.
11. Relocate the lower door onto the central hinge pin, and refit the lower hinge assembly.
12. Refit the plinth.

After reversing the door ensure the internal light turns off when the fridge door is closed, and the door gasket seals correctly to the cabinet. If the gasket is not sealing correctly, apply warm air to the non-sealing area using a hair dryer set to gentle heat.

This will make the rubber more supple and allow it to revert to its original shape and seal correctly.

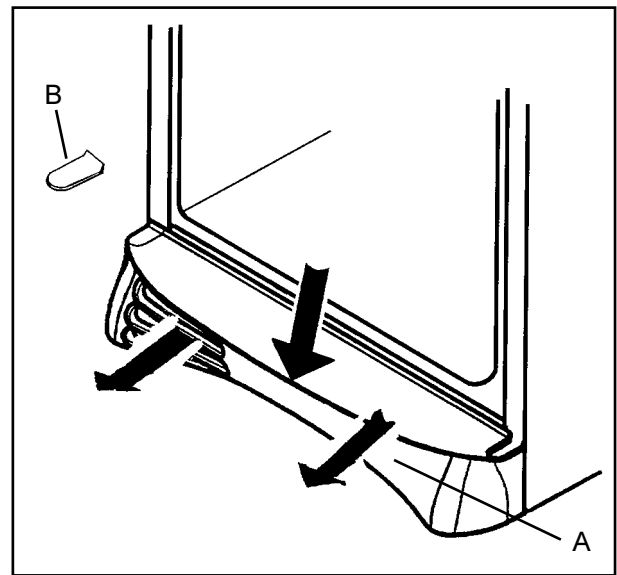


Fig. 8

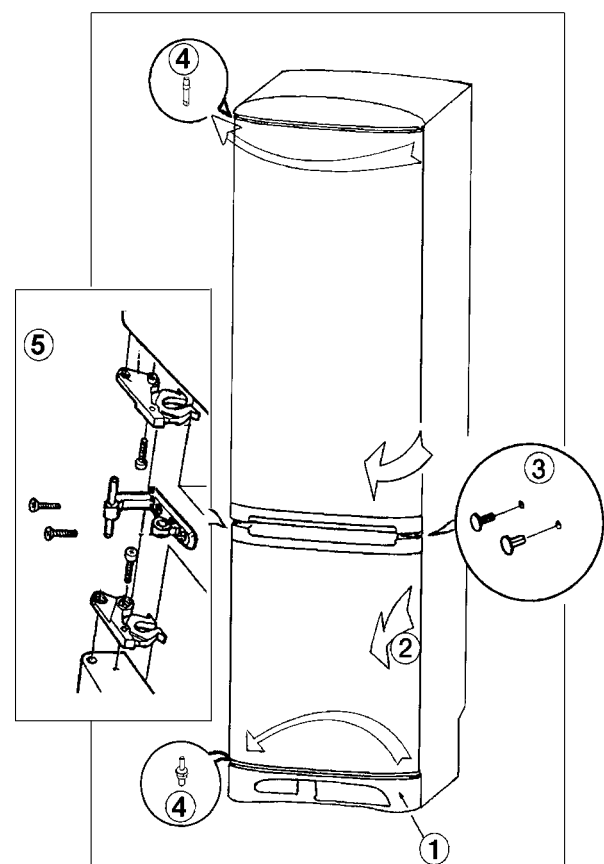


Fig. 9



*The Electrolux Group is the world's largest producer of powered appliances for kitchen, cleaning and outdoor use. More than 55 million Electrolux Group products (such as refrigerators, cookers, vacuum cleaners, chain saws and lawn mowers) are sold each year to a value of approx. 14 billion USD in more than 150 countries around the world.*



**The Electrolux Group. The world's No.1 choice.**