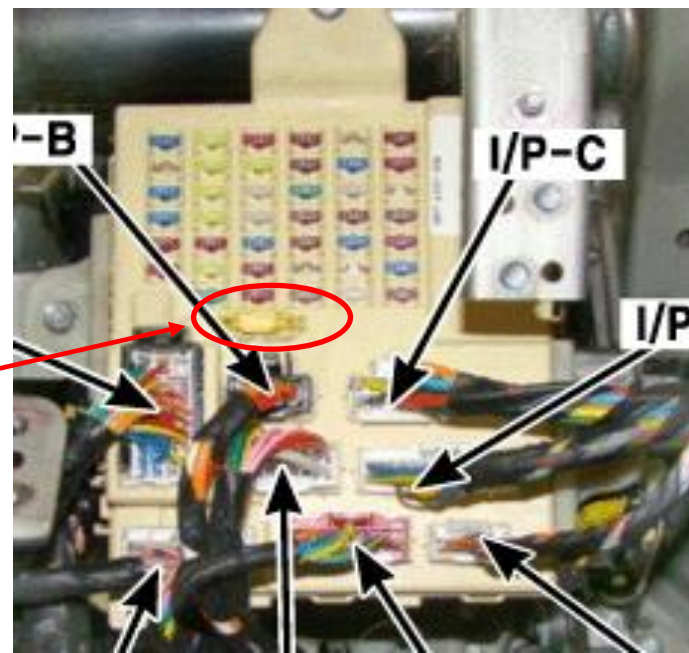
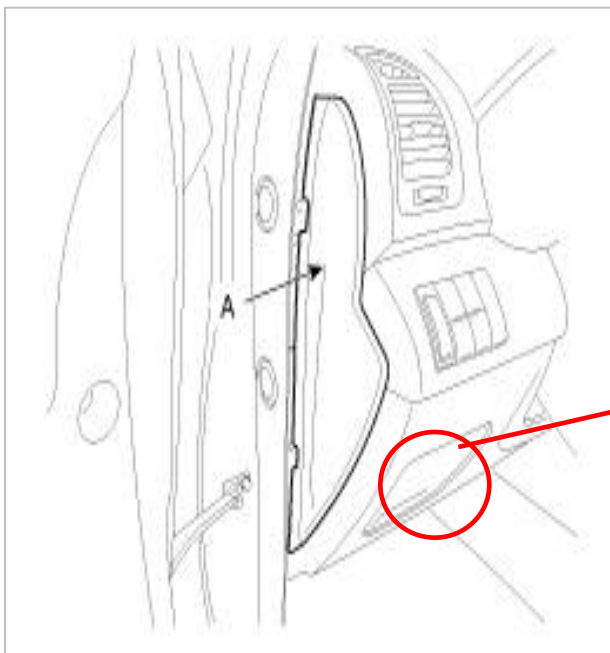


XM

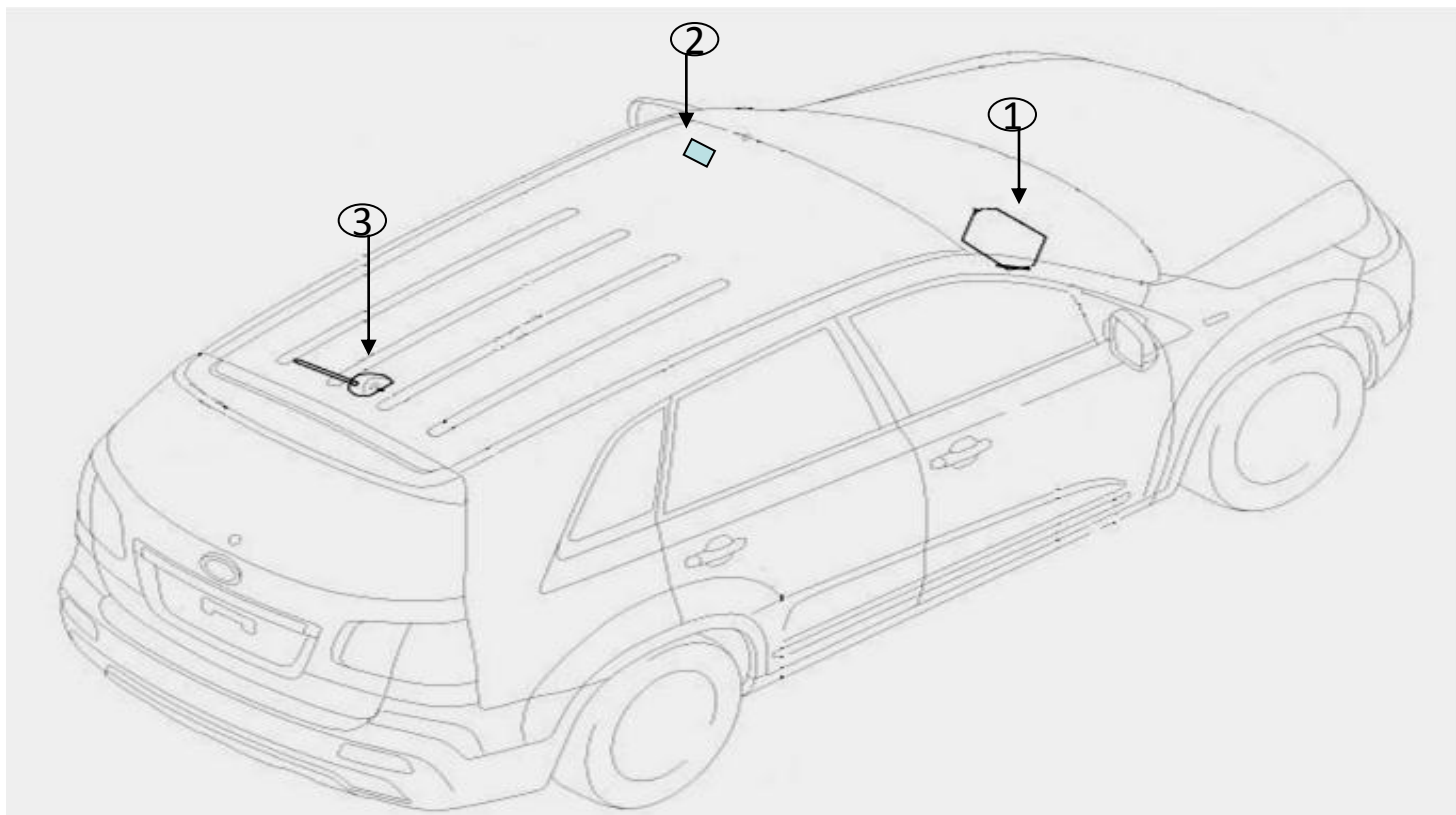
NAVIGATION SERVICE MANUAL

1. Caution

- Use a protect tape when you use a screwdriver or a hand-remover to pry off the garnish.
- Use a gloves to protect your hands and parts.
- Do not drop it for avoiding heavy impact at anytime to avoid any kind of improper functioning of the unit.
- Do not press the LCD panel.
- Do not to damage the connector when disconnecting the connector
- Carefully,disconnect the main fuse to avoid To avoid shorts in electrical system before installation.



2.AVN SYSTEM Component Location.



1.AVN Head Unit

2.Bluetooth Microphone

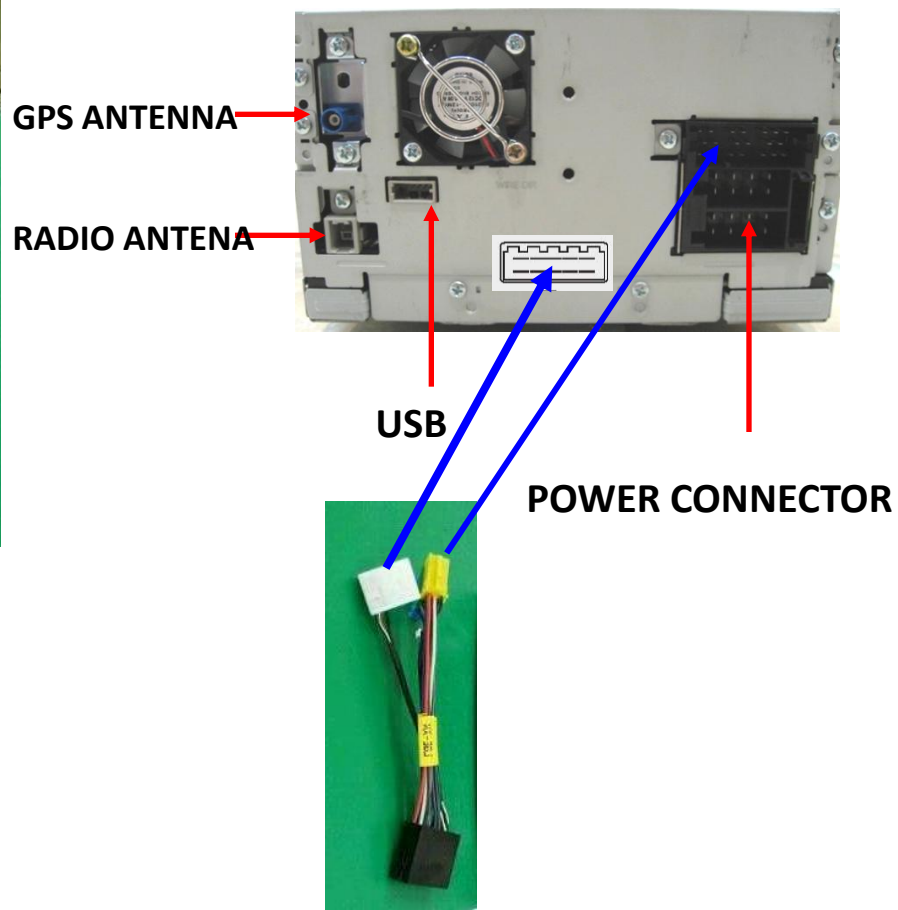
3. GPS antenna & Radio Antenna

3. AVN COMPONENT



- AVN HEAD UNIT
- AU_MTX Primo_MAP Manual
- AU_MTX8920_XM_System Manual
- C-Connector

Back side view



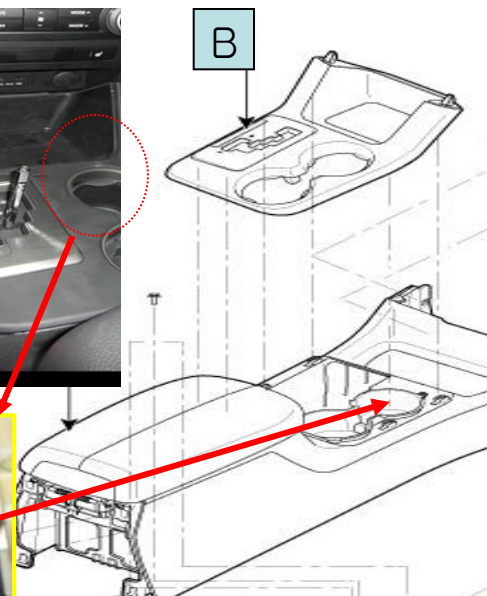
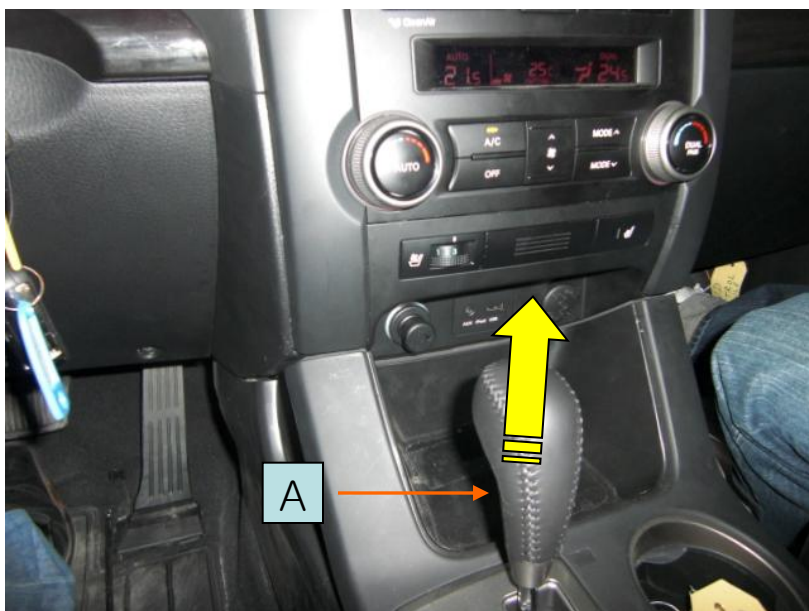
4. Removal

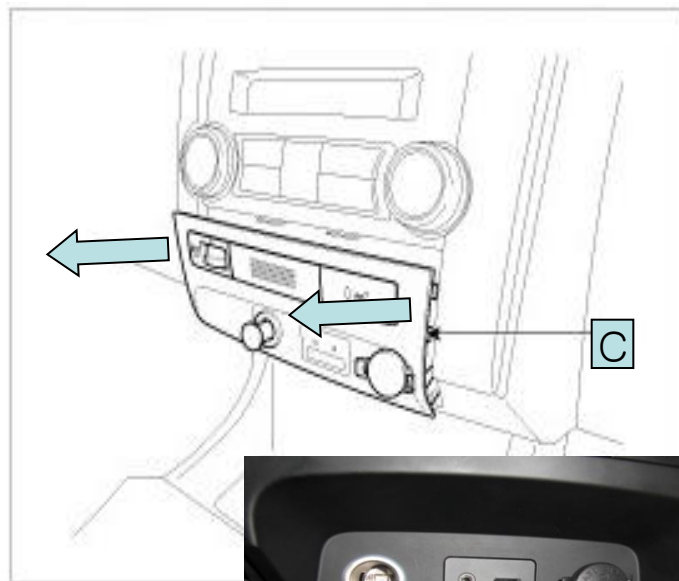
CAUTION

Parking brake “on”, Gear at “Parking” is to keep the vehicle motionless and Engine “off”

Carefully, disconnect the main fuse to avoid shorts in electrical system before installation.

1. Remove a Gear shift knob (A) upward to remove.
2. Carefully pry off the console upper cover (B) and disconnect one connector.

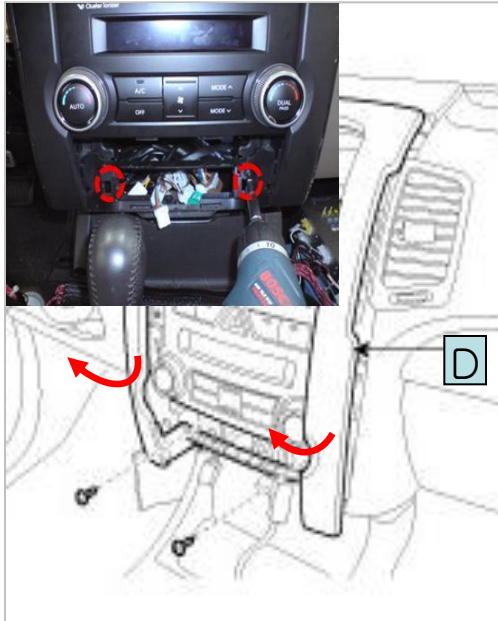




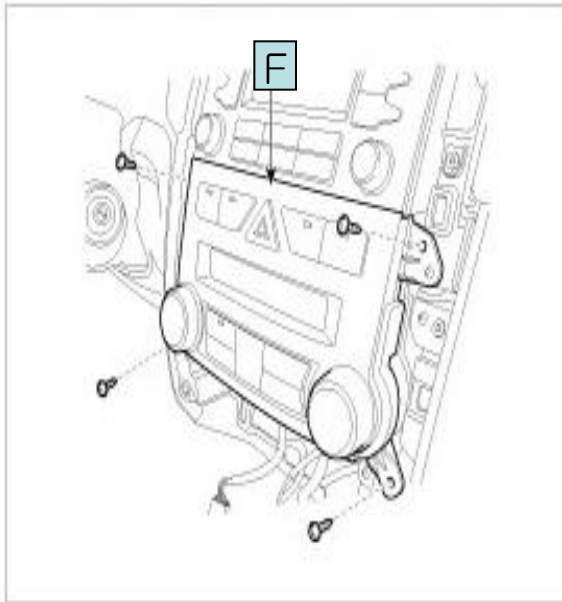
3. Carefully pry off the seat warmer switch module "C".
4. Disconnect the connectors and Remove the Module "C".

CAUTION!

-Use a protect tape when you use a screwdriver or hand-remover to pry off the module.

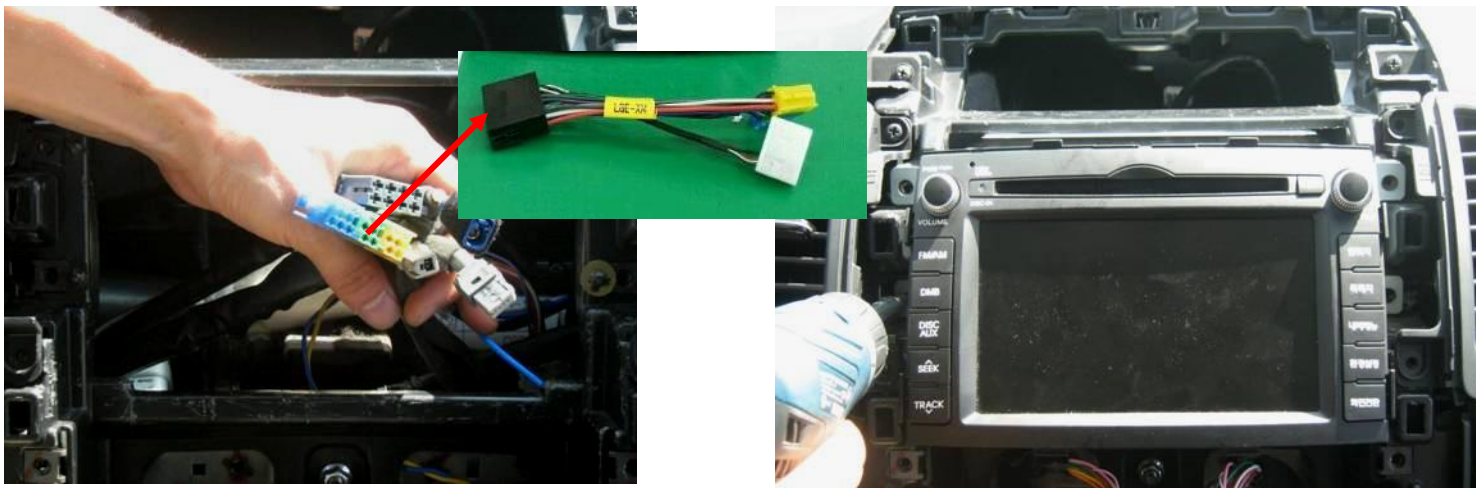


5. After removing two screws , carefully pry off the center facia panel “D”and disconnect the clock connector.



6. Removing the 4 screws and remove the A/C control module "F".

4. Installation

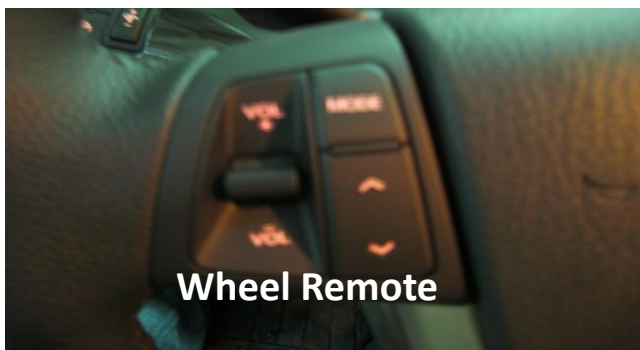


7. Connect the extension connector between original connector and AVN head unit for camera.
8. Install the AVN Head Unit.
9. Install the A/C control module.
10. Install the center fascia panel.
11. Install the seat warmer switch module.
6. Install the floor console upper cover.
7. Connect the negative (-) battery terminal.

Note

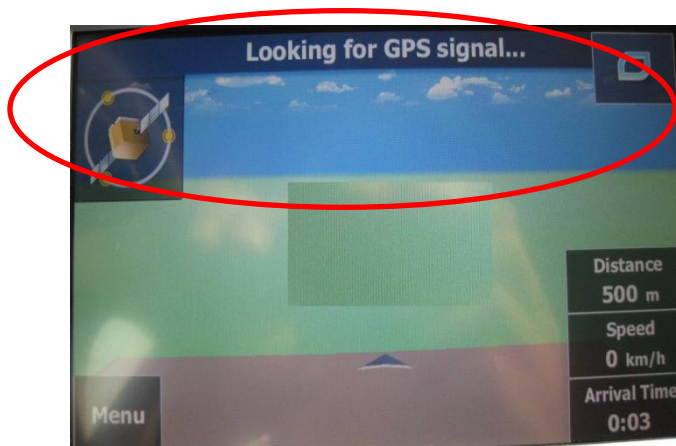
**Make sure the AVN Head Unit connectors are Plugged in properly
And the antenna cable is connected properly.**

4. Check list



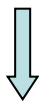
Wheel Remote

1. Clock
2. Radio
 - Check mode change FM/AM
 - Check Seek up/down
 - Check Tune up/down
 - Check the sound balance & any fade
3. CD/ DVD
 - Check CD track up/down
 - Check output sound in CD/MP3 mode
 - Insert CD and check the CD plays well
4. Bluetooth(Refer System Manual to connect Bluetooth)
 - Check sound quality
 - Check outgoing call and incoming function
5. AUX
 - USB AUX plug-in with MP3 song.
 - Check AUX mode volume control
6. Wheel Remote Control
 - Check Seek up/down
 - Check volume control
 - Check Mode change



7. GPS Signal

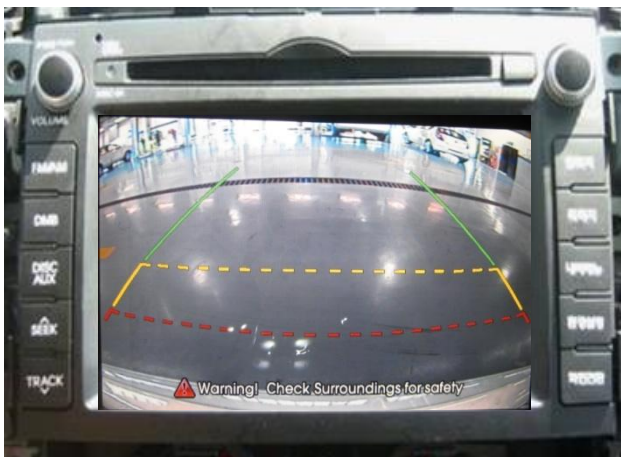
After connection with GPS, will disappear "Looking for GPS signal..."



And will show current location.

If can not find corrent location, please recheck GPS connetor.

It will takes 5~10minints to connect GPS signal.



7. Rear View Camera

Put the car into reverse (2~3times)

Check the rear view on the screen.



8. Check all button functioning.

if not working properly, please check connector connection.

9. Leave the key in place

Check the gear at Parking/light off

Clean around the working area