

Built-In All Freezer

E32AF75JPS professional series



Built-In Side-by-Side Configuration



Shown with companion, All-Refrigerator model E32AR75JPS and optional stainless steel 84" Louvered Trim Kit. (Double – PN# ECP8472SS)

Shown with optional stainless steel 72" Collar Trim Kit. (Single – PN# ECP7236SS)



Custom-Fit™ Capacity

More space inside gives you plenty of space to stock up so you'll always have food on hand for any occasion.



Custom-Design™ Organization System

The ultimate organization system features adjustable glass shelves, Smooth-Glide® full-width baskets and versatile door storage.



Smooth-Glide® Freezer Drawers

Full-width drawers glide out smoothly and fully extend giving you easy access to what's inside.



PureAdvantage® Air Filter

Keeps clean, filtered air circulated throughout to prevent odor transfer.

BUILT-IN ALL FREEZER

CAPACITIES

Volume	18.6 Cu. Ft.
Shelf Area	19.7 Sq. Ft.

EXTERIOR

Professional Door and Handle Design	Yes
Custom-Set™ Controls	Yes
Hidden Door Hinge Covers	Yes
Air Filter Indicator	Yes
Electronic Control Lock	Yes

INTERIOR CONVENIENCES

PureAdvantage® Air Filter	Yes
Custom-Design™ Glass Shelves	2
Smooth-Glide® Full-Width Bottom Basket	1
Smooth-Glide® Full-Width Mid-Level Baskets	2
Soft Freeze™ Bin	1
Extreme Freeze™	Yes
Adjustable Door Bins	4
Condiment Shelf	1
Theatre LED Lighting	Yes
Custom-Set™ Digital Temperature Control System	Yes
Temp Alarm System/Door-Ajar Alarm/Power Failure Alarm	Yes
Ice Maker	Factory-Installed
Door Closer	Yes
Luxury-Quiet™ Design	Yes

ADDITIONAL FEATURES

ENERGY STAR®	Yes
Sabbath Mode (Star-K® Certified)	Yes

ACCESSORIES

84" Louvered Trim Kits: Single – PN# ECP8436SS	Optional
Double – PN# ECP8472SS	Optional
72" Collar Trim Kits: Single – PN# ECP7236SS	Optional
Double – PN# ECP7272SS	Optional
79" Louvered/75" Collar Trim Kits ¹ : Single – PN# TRIMKITSS1	Optional
Double – PN# TRIMKITSS2	Optional
PureAdvantage® Air Filter Replacement Cartridge – PN# EAFCBF	Optional

SPECIFICATIONS

Product Dimensions –	
Height (Cabinet)	70-5/8"
(Including Door)	71-3/8"
Width	32"
Depth (Including Door)	26-1/2"
(with 90° Door Open)	57-3/8"
Power Supply Connection Location	Right Bottom Rear
Water Inlet Location	Left Bottom Rear
Voltage Rating	120V/60Hz/20A
Connected Load (kW Rating) @ 115 Volts [‡]	0.55
Minimum Circuit Required (Amps)	20
Shipping Weight (Approx.)	247 Lbs.

[‡] An electrical supply with grounded three-prong receptacle is required. The power supply circuit must be installed in accordance with current edition of National Electrical Code (NFPA 70) and local codes & ordinances.

NOTE: Always consult local and national electric and plumbing codes. Refer to Product Installation Guide for detailed installation instructions on the web at electroluxicon.com. Specifications subject to change.

Optional Trim Kits

84" Louvered Trim Kits (ECP8436SS & ECP8472SS)

Designed as a replacement option for the Sub-Zero® brand 650 Series models and for new-build installation.

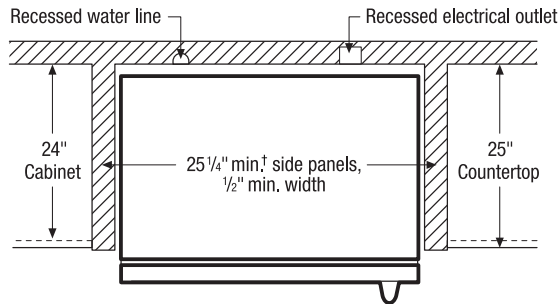
72" Collar Trim Kits (ECP7236SS & ECP7272SS)

Designed as a replacement option for the Sub-Zero® brand 601 Series models and for new-build installation.

79" Louvered/75" Collar Trim Kits¹ (TRIMKITSS1 & TRIMKITSS2)

Designed as a replacement option for Electrolux ICON® brand models E32AR75F5PS and E32AF75F5PS and for new-build installation.

¹Kits are designed to fit either 79" or 75" opening height. For 79" cutout opening height, installation requires use of top louvered grille; for 75" cutout opening height, installation requires use of top trim piece and shortening of both side trim pieces. Sub-Zero® is a registered trademark of Sub-Zero, Inc.



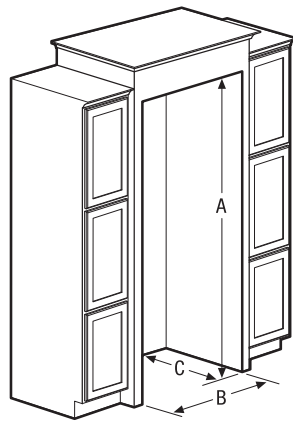
Optional Trim Kits

Optional Trim Kits available for built-in installation with All Refrigerator and/or All Freezer – requiring different cutout dimensions.

Designed as built-in replacement option for any model(s) having pre-existing opening(s) with same cutout dimensions as stated for specific Trim Kit or for new-build installation.

For Trim Kit specifications and drawings, refer to model-specific Trim Kit Installation pages on web for required cutout dimensions and installation planning information.

For detailed Trim Kit installation, refer to instructions packed with kit or on web.



84" Louvered Trim Kits

Single (PN# ECP8436SS)
Double (PN# ECP8472SS)

72" Collar Trim Kits

Single (PN# ECP7236SS)
Double (PN# ECP7272SS)

79" Louvered/75" Collar Trim Kits

Single (PN# TRIMKITSS1)
Double (PN# TRIMKITSS2)

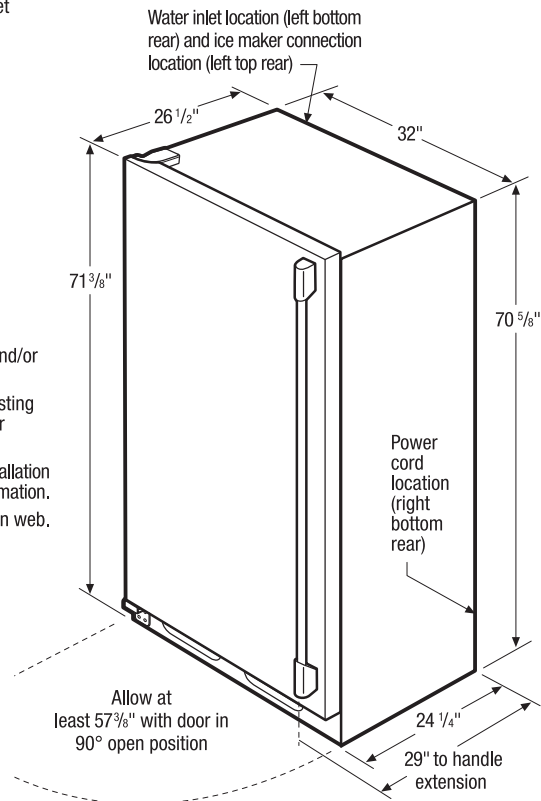
All-Freezer Cutout Dimensions

Built-In Installation (without optional Trim Kit)

Single Unit (A) 72" (B) 33" (C) 25 1/4" min.†

Double Unit (Side-by-Side) (A) 72" (B) 66" (C) 25 1/4" min.†

†Minimum depth from face of cabinet side panels and requires recessed electrical outlet and water line.



32" Built-In All-Freezer Specifications

- Product Weight – 237 Lbs.
- An electrical supply with grounded three-prong receptacle is required. The power supply circuit must be installed in accordance with current edition of *National Electrical Code (NFPA 70)* and local codes & ordinances.
- Voltage Rating – 120V/60 Hz/20 Amps
- Connected Load (kW Rating) @ 115 Volts = 0.55kW
- Amps @ 115 Volts = 5 Amps
- Always consult local and national electric & plumbing codes.
- Water line for ice maker can enter opening through floor or rear wall. Copper tubing recommended between cold water line and water connection location. Water line tubing recommended is 48" minimum length by 1/4" diameter. Installation of easily accessible shutoff valve in water line required.
- Minimum 25-1/4" depth requires recessed electrical outlet and copper water line.
- To allow for ease of installation, tape excess power cord to back of unit.
- To allow for ease of moving out side-by-side units after installation, 84" minimum length of coiled copper tubing recommended.
- When installing freezer adjacent to wall, cabinet or other appliance that extends beyond front edge of unit, 20" minimum clearance recommended to allow for optimum 140° door swing, providing complete drawer/crisper access and removal. (*Absolute 4" minimum clearance will ONLY allow for 90° door swing which will provide limited drawer/crisper access with restricted removal.*)
- Freezer must be placed on level surface of hard material, same height as flooring. Surface must support approximately 800 lbs. when fully loaded. Unit equipped with 4-point leveling.

"Built-In Look" Specifications

- Minimum opening of 72" H x 33" W x 25-1/4" D required for single-unit "Built-In Look" installation; 66" W required for double-unit installation. (72" H to be measured from finished floor to underside of soffit or overhead cabinet.)

Optional Trim Kit Specifications

For planning information, refer to model-specific Trim Kit Installation pages on web.

- Optional Trim Kits available for built-in installation with All Refrigerator and/or All Freezer – requiring different cutout dimensions.
- Designed as built-in replacement option for any model(s) having pre-existing opening(s) with same cutout dimensions as stated for specific Trim Kit or for new-build installation.
- Remove all wall/floor molding prior to built-in installation.
- For detailed Trim Kit installation, refer to instructions packed with kit or on web.

Note: For planning purposes only. Refer to Product Installation Guide on the web at electroluxicon.com for detailed instructions.

Optional Accessories

- 84" Louvered Trim Kits:
Single – (PN# ECP8436SS), Double – (PN# ECP8472SS).
- 72" Collar Trim Kits:
Single – (PN# ECP7236SS), Double – (PN# ECP7272SS).
- 79" Louvered/75" Collar Trim Kits:
Single – (PN# TRIMKITSS1), Double – (PN# TRIMKITSS2).
- PureAdvantage® Air Filter Replacement Cartridge – (PN# EAFCBF).



Electrolux Major Appliances, N.A.

USA • 10200 David Taylor Drive • Charlotte, NC 28262 • 1-877-4electrolux (1-877-435-3287) • electroluxicon.com
CANADA • 5855 Terry Fox Way • Mississauga, ON L5V 3E4 • 1-800-265-8352 • electroluxicon.ca

High standards of quality at Electrolux Home Products, Inc. mean we are constantly working to improve our products. We reserve the right to change specifications or discontinue models without notice.

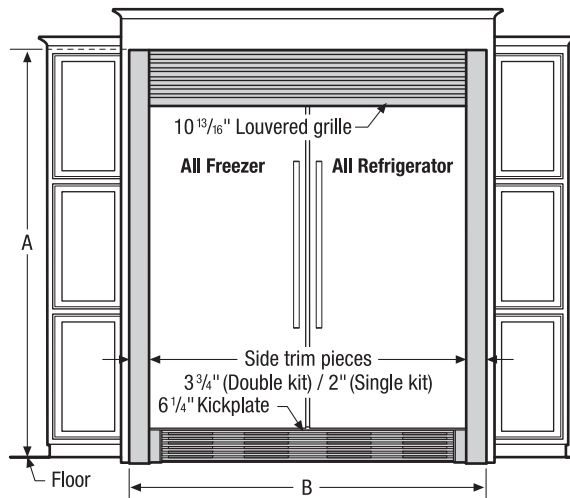
Single & Double 84" Louvered Trim Kits for All Refrigerator and All Freezer

Designed for replacement installation of any built-in model(s) having pre-existing opening(s) with same cutout dimensions as stated below; or for new-build installation.

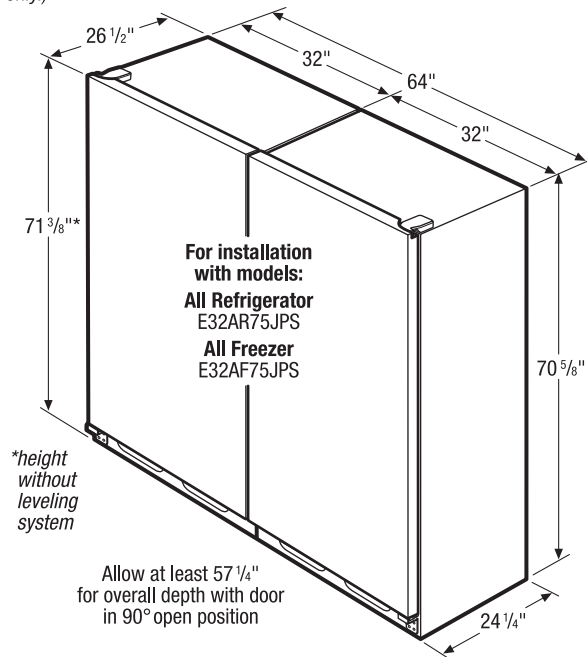
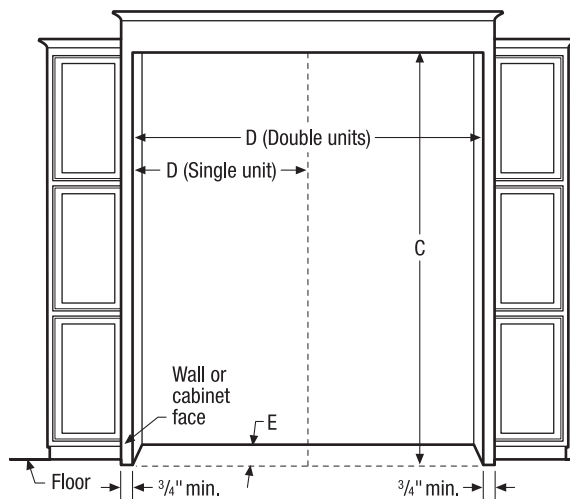
Kits Include:

Louvered grille, side and center trim pieces, kickplate, leveling system and hardware. (Center trim included with Double Trim Kit PN# ECP8472SS only.)

Single & Double Trim Kit Dimensions



Single & Double Cutout Dimensions



Single Trim Kit PN# ECP8436SS

Trim Kit Dimensions
(A) 83 13/16" (B) 36 3/16"

Cutout Dimensions
(C) 83 3/4" (D) 35 1/2"
(E) 24" min.†

Double Trim Kit PN# ECP8472SS

Trim Kit Dimensions
(A) 83 13/16" (B) 72"

Cutout Dimensions
(C) 83 3/4" (D) 71 1/2"
(E) 24" min.†

Leveling System

(2) per unit raises height 2 9/16" min. Only available with trim kits.

†Minimum depth from face of wall or cabinet side panels and requires recessed electrical outlet(s) and water line.

Installation Notes:

Trim kit attaches directly to unit(s) and can be secured to cutout opening. Double Trim Kit also includes hardware to secure side-by-side units together. Refer to detailed kit installation instructions packed with kit or on web.

All-Refrigerator and All-Freezer

84" Louvered Trim Kits Specifications

- Louvered Trim Kits (PN# ECP8436SS & PN# ECP8472SS) are designed as built-in replacement option for Sub-Zero® brand 650 Series models when Trim Kits are installed with All Refrigerator and/or All Freezer models E32AR75JPS/E32AF75JPS into pre-existing cutout opening(s); or for new-build installation.
- To use Single Louvered Trim Kit (PN# ECP8436SS), an enclosure is required around All Refrigerator or All Freezer having an opening of 83-3/4" H x 35-1/2" W with minimum cabinet side panels of 24" D x 3/4" W.
- To use Double Louvered Trim Kit (PN# ECP8472SS), an enclosure is required around All Refrigerator and All Freezer having an opening of 83-3/4" H x 71-1/2" W with minimum cabinet side panels of 24" D x 3/4" W. (Double Trim Kit includes hardware to secure side-by-side units together.)

- Trim Kit attaches directly to unit(s) and can be secured to cutout opening.
- Minimum 24" depth requires recessed electrical outlet(s) and water line.
- Cabinet or soffit above unit must extend out to same depth as side panels.
- Clear, adequate floor space required for Trim Kit assembly.
- For detailed Trim Kit installation, refer to instructions packed with kit or on web.
- For detailed All-Refrigerator and/or All-Freezer installation, refer to model-specific product page(s) and installation guide(s) on web.

Note: For planning purposes only. Refer to Product Installation Guide on the web at electroluxicon.com for detailed instructions.

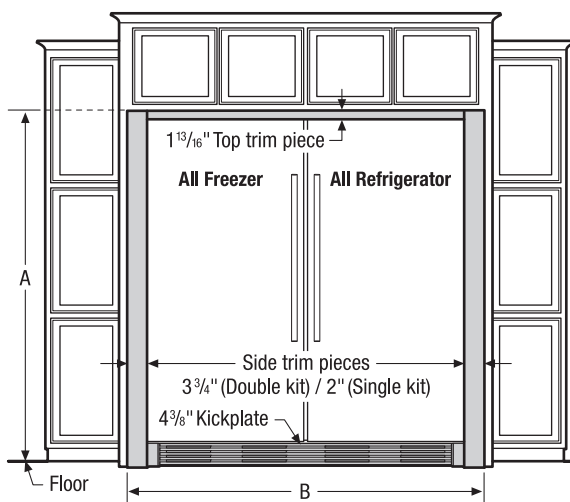
Single & Double 72" Collar Trim Kits for All Refrigerator and All Freezer

Designed for replacement installation of any built-in model(s) having pre-existing opening(s) with same cutout dimensions as stated below; or for new-build installation.

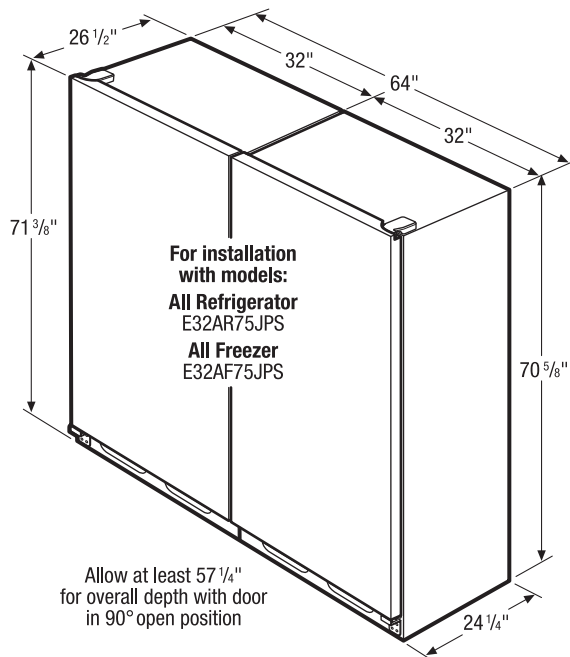
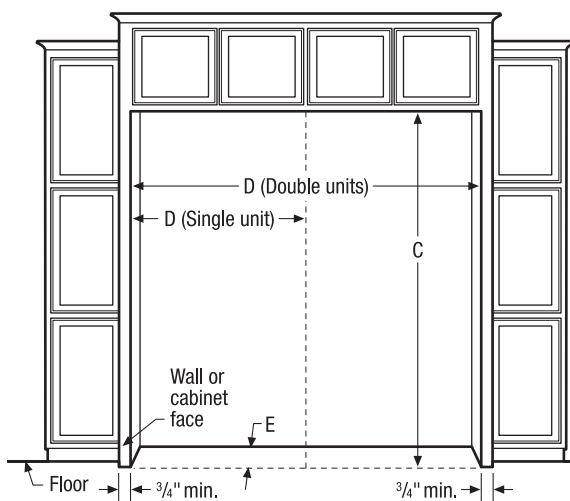
Kits Include:

Top, side and center trim pieces, kickplate and hardware.
(Center trim included with Double Trim Kit PN# ECP7272SS only)

Single & Double Trim Kit Dimensions



Single & Double Cutout Dimensions



Single Trim Kit PN# ECP7236SS

Trim Kit Dimensions
(A) 72 13/16" (B) 36 3/16"

Cutout Dimensions
(C) 72 3/4" (D) 35 1/2"
(E) 24" min.†

Double Trim Kit PN# ECP7272SS

Trim Kit Dimensions
(A) 72 13/16" (B) 72"

Cutout Dimensions
(C) 72 3/4" (D) 71 1/2"
(E) 24" min.†

† Minimum depth from face of wall or cabinet side panels and requires recessed electrical outlet(s) and water line.

Installation Notes:

Trim kit attaches directly to unit(s) and can be secured to cutout opening. Double Trim Kit also includes hardware to secure side-by-side units together. Refer to detailed kit installation instructions packed with kit or on web.

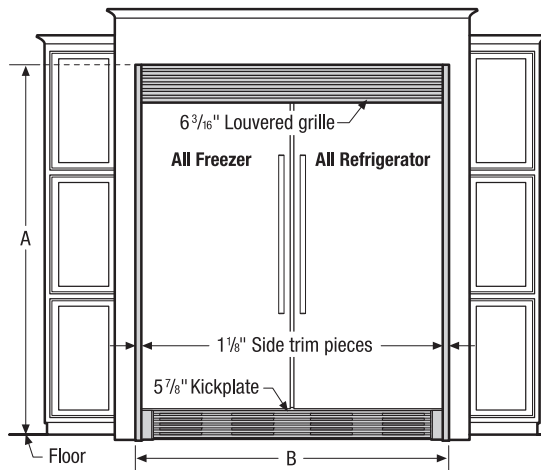
All-Refrigerator and All-Freezer 72" Collar Trim Kits Specifications

- Collar Trim Kits (PN# ECP7236SS & PN# ECP7272SS) are designed as built-in replacement option for Sub-Zero® brand 601 Series models when Trim Kits are installed with All Refrigerator and/or All Freezer models E32AR75JPS/E32AF75JPS into pre-existing cutout opening(s); or for new-build installation.
- To use Single Collar Trim Kit (PN# ECP7236SS), an enclosure is required around All Refrigerator or All Freezer having an opening of 72-3/4" H x 35-1/2" W with minimum cabinet side panels of 24" D x 3/4" W.
- To use Double Collar Trim Kit (PN# ECP7272SS), an enclosure is required around All Refrigerator and All Freezer having an opening of 72-3/4" H x 71-1/2" W with minimum cabinet side panels of 24" D x 3/4" W. (Double Trim Kit includes hardware to secure side-by-side units together.)

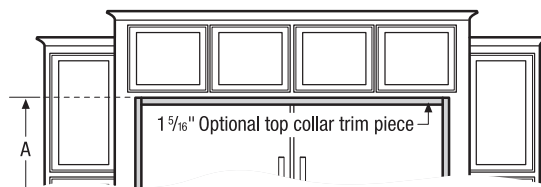
- Trim Kit attaches directly to unit(s) and can be secured to cutout opening.
- Minimum 24" depth requires recessed electrical outlet(s) and water line.
- Cabinet or soffit above unit must extend out to same depth as side panels.
- Clear, adequate floor space required for Trim Kit assembly.
- For detailed Trim Kit installation, refer to instructions packed with kit or on web.
- For detailed All-Refrigerator and/or All-Freezer installation, refer to model-specific product page(s) and installation guide(s) on web.

Note: For planning purposes only. Refer to Product Installation Guide on the web at electroluxicon.com for detailed instructions.

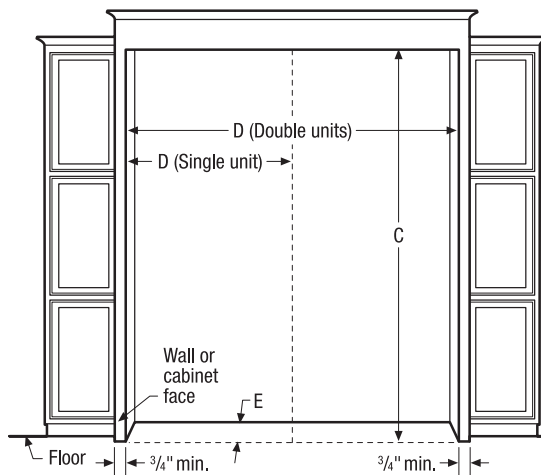
79" Louvered Trim Kit Dimensions



Optional 75" Collar Trim Kit Dimensions



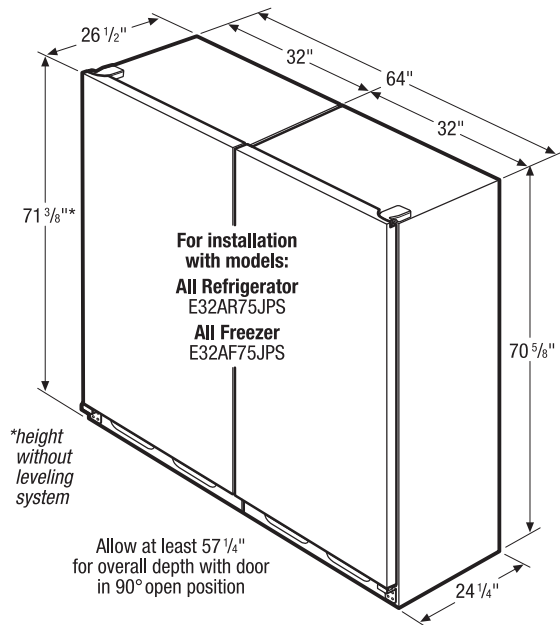
Single & Double Cutout Dimensions



Single & Double 79" Louvered Trim Kit or Optional 75" Collar Trim Kit for All Refrigerator and All Freezer

Designed for replacement installation of any built-in model(s) having pre-existing opening(s) with same cutout dimensions as stated below; or for new-build installation.

Kits Include: Louvered grille, optional top collar trim piece, side and center trim pieces, kickplate, leveling system and hardware. (Center trim included with Double Trim Kit PN# TRIMKITSS2 only.)



Single Trim Kit

PN# TRIMKITSS1

Trim Kit Dimensions
 (A) 79 1/8" or 75 1/8"
 (B) 34 3/4"

Cutout Dimensions
 (C) 79" or 75" (D) 33"
 (E) 25 1/4" min.†

Double Trim Kit

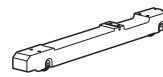
PN# TRIMKITSS2

Trim Kit Dimensions
 (A) 79 1/8" or 75 1/8"
 (B) 67 1/8"

Cutout Dimensions
 (C) 79" or 75" (D) 66"
 (E) 25 1/4" min.†

Leveling System

(2) per unit raises height 2 9/16" min. Only available with trim kits.



† Minimum depth from face of wall or cabinet side panels and requires recessed electrical outlet(s) and water line.

Installation Notes:

Trim kit attaches directly to cutout opening through louvered grille or optional top collar trim piece to stabilize unit(s). Louvered grille used for 79" opening height and optional top collar trim piece used for 75" opening height. Installation into 75" opening requires side trim pieces be shortened by 4". Double Trim Kit also includes hardware to secure side-by-side units together. Refer to detailed kit installation instructions packed with kit or on web.

All-Refrigerator and All-Freezer 79" Louvered/75" Collar Trim Kits Specifications

- Louvered/Collar Trim Kits (PN# TRIMKITSS1 & PN# TRIMKITSS2) are designed as built-in replacement option for All-Refrigerator/All-Freezer models E32AR75FPS/E32AF75FPS when Trim Kits are installed with models E32AR75JPS/E32AF75JPS into pre-existing cutout opening(s) requiring 79" opening height and use of louvered grille; or as built-in replacement option for any other built-in model(s) having pre-existing 79" or 75" opening height; or for new-build installation. New-build installation can use 79" opening height with use of louvered grille; or 75" opening height with use of optional top collar trim piece which also requires side trim pieces to be shortened by 4".
- To use Single Louvered/Collar Trim Kit (PN# TRIMKITSS1), an enclosure is required around All Refrigerator or All Freezer having an opening of 79" or 75" H x 33" W with minimum cabinet side panels of 25-1/4" D x 3/4" W.
- To use Double Louvered/Collar Trim Kit (PN# TRIMKITSS2), an enclosure is required around All Refrigerator and All Freezer having an

opening of 79" or 75" H x 66" W with minimum cabinet side panels of 25-1/4" D x 3/4" W. (Double Trim Kit includes hardware to secure side-by-side units together.)

- Trim Kit attaches directly to cutout opening through louvered grille or optional top collar trim piece to stabilize unit(s).
- Minimum 25-1/4" depth requires recessed electrical outlet(s) and water line.
- Cabinet or soffit above unit must extend out to same depth as side panels.
- Clear, adequate floor space required for Trim Kit assembly.
- For detailed Trim Kit installation, refer to instructions packed with kit or on web.
- For detailed All-Refrigerator and/or All-Freezer installation, refer to model-specific product page(s) and installation guide(s) on web.

Note: For planning purposes only. Refer to Product Installation Guide on the web at electroluxicon.com for detailed instructions.

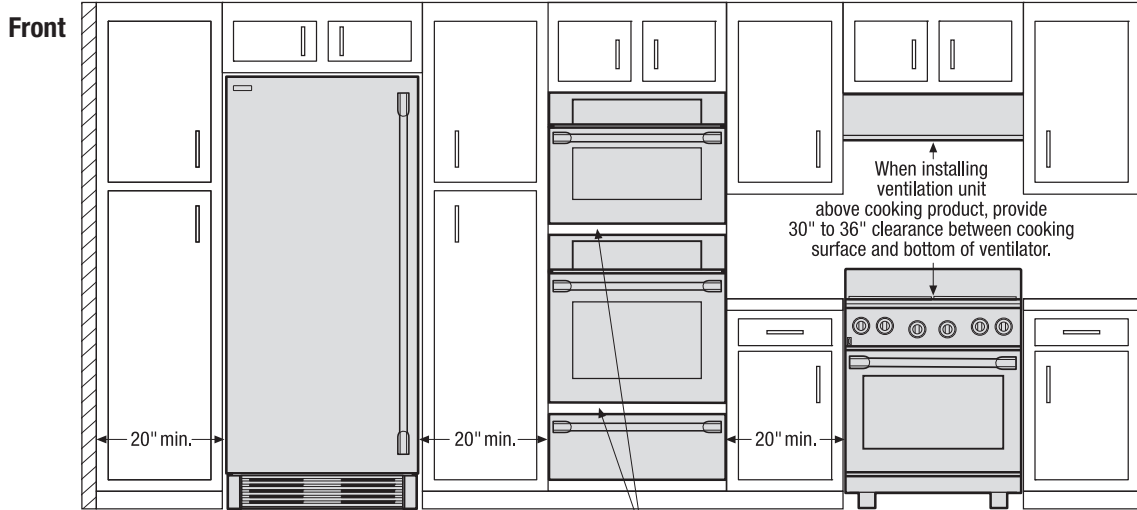
Electrolux Major Appliances, N.A.

USA • 10200 David Taylor Drive • Charlotte, NC 28262 • 1-877-4electrolux (1-877-435-3287) • electroluxicon.com
 CANADA • 5855 Terry Fox Way • Mississauga, ON L5V 3E4 • 1-800-265-8352 • electroluxicon.ca

General Installation Guidelines

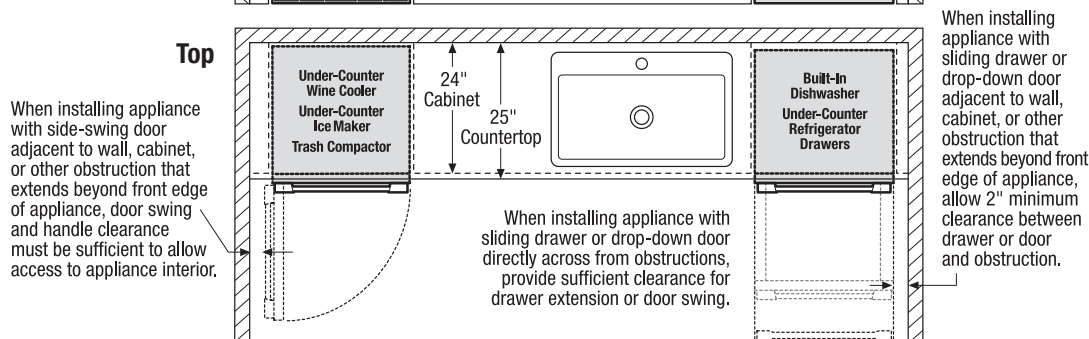
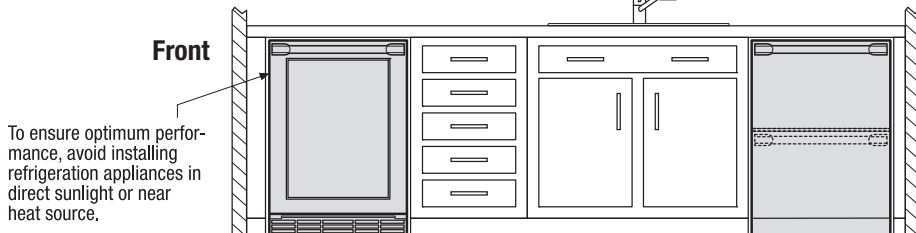
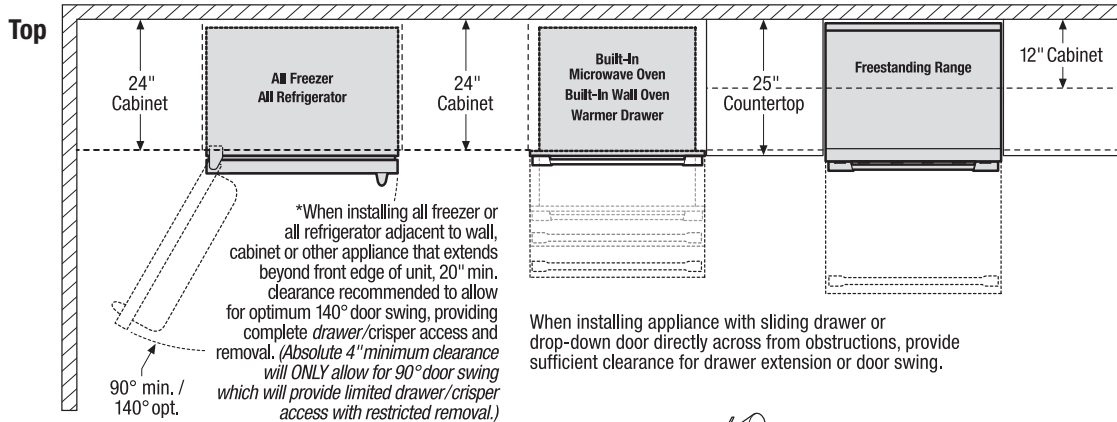
For Installation with All Refrigerator or All Freezer

Use these dimensions and clearance instructions for planning purposes only. For detailed installation instructions, refer to installation guide, packed with product, or on the web at electroluxicon.com.



When installing appliances adjacent to each other, 20" minimum distance between each appliance required.

When installing built-in cooking appliances in combination, 2" minimum visible gap between appliance faceplates required.



Electrolux Major Appliances, N.A.

USA • 10200 David Taylor Drive • Charlotte, NC 28262 • 1-877-4electrolux (1-877-435-3287) • electroluxicon.com
 CANADA • 5855 Terry Fox Way • Mississauga, ON L5V 3E4 • 1-800-265-8352 • electroluxicon.ca

High standards of quality at Electrolux Home Products, Inc. mean we are constantly working to improve our products. We reserve the right to change specifications or discontinue models without notice.