

Electrolux concept counters

Freezers

Electrolux Professional has designed and produced a complete range of refrigerated tables, that combines the dual function of worktop and refrigerated table. This versatility allows notable savings in space while offering functional and modular solutions to kitchen requirements. The models represented here have a temperature range of -15 to -20 °C and are available with built in or remote refrigerating unit, various combinations of doors and drawers and with no worktop, flat top or top with splashback.



728635

- Built-in compressor.
- Suitable for use in ambient temperatures of up to 38°C.
- Constructed in stainless steel to meet the highest hygiene standards.
- Rounded internal corners for ease of cleaning.
- Mounted on stainless steel legs with plastic interior to give 150 mm clearance for ease of cleaning the floor.

- Adjustable temperature range from -15°C to -20°C to suit all storage requirements.
- Anti-tilt runners accept GN1/1 trays and grids.
- Digital control with temperature display.
- Forced air circulation for rapid cooling and an even temperature distribution.
- Internal and external doors, front and side panels and worktop in 304 AISI stainless steel.
- Access to all components from the front panel.

- In compliance with H requirements.
- CFC and HCFC free (ecological refrigerant type: R404a, - gas in foam: cyclopentane).
- 50 mm insulation thickness for energy saving.
- Developed and produced in ISO 9001 and ISO 14001 certified factory.



Electrolux

**Electrolux concept counters
Freezers**

	RCHBF2P 728635	RCHBF1P2C 728304	RCHBF3P 728636	RCHBF2P2C 728305
TECHNICAL DATA				
Operating temperature - min/max °C	-20/-15	-20/-15	-20/-15	-20/-15
Operating mode	Ventilated	Ventilated	Ventilated	Ventilated
Type of stainless steel				
external	304 AISI	304 AISI	304 AISI	304 AISI
internal	304 AISI	304 AISI	304 AISI	304 AISI
Gross capacity (D.I.N. 8952) - l.	265	265	415	415
External dimensions - mm				
width	1238	1238	1721	1721
depth/with open doors	700, 1098	700, 1098	700, 1098	700, 1098
height	850	850	850	850
Internal dimensions - mm				
depth	580	580	580	580
height	543	543	543	543
Worktop type	Stainless Steel	Stainless Steel	Stainless Steel	Stainless Steel
Top material	304 AISI	304 AISI	304 AISI	304 AISI
N° of drawers		2x1/2		2x1/2
Door hinges	1 Left+1 Right	Right Side	1 Left+2 Right	1 Left+1 Right
N° and type of grids (included)	2, GN 1/1	1, GN 1/1	3, GN 1/1	2, GN 1/1
Compressor power - HP	3/4	3/4	3/4	3/4
N° defrost in 24 hrs.	4/28'	4/28'	4/28'	4/28'
Refrigerant type	R404a	R404a	R404a	R404a
Refrigerant quantity - g.	160	160	200	200
Refrigeration power - W	910	910	910	910
Power - kW				
installed-electric	0.52	0.52	0.56	0.56
Noise level - dBA	60	60	59.5	59.5
Net weight - kg.	119	125	142	147
Power supply - V, phases, Hz	230 V, 1N, 50	230 V, 1N, 50	230 V, 1N, 50	230 V, 1N, 50
INCLUDED ACCESSORIES				
1/1 GN GREY "RILSAN" GRID	2	1	3	2
ACCESSORIES				
KIT 2 S/S GRIDS GN1/1 FOR REFRIG.TABLES	880139	880139	880139	880139
KIT 4 WHEELS (2 W/BRAKE)+4 (40MM)SPACERS	880025	880025	880025	880025
KIT DOOR REVERSIBILITY FOR REF.TABLES	880046	880046	880046	880046
KIT HACCP EKIS	922166	922166	922166	922166
KIT INTEGRATED HACCP-DIG. REFR. (IR33)	880205	880205	880205	880205
LOCK KIT FOR REFRIGERATED TABLES	880130	880130	880130	880130
PRINTER FOR HACCP BASIC VERSION REFRIG.	881457	881457	881457	881457
S/S STRUCTURE TO SUPPORT 6 GRIDS (R+L)	880140	880140	880140	880140

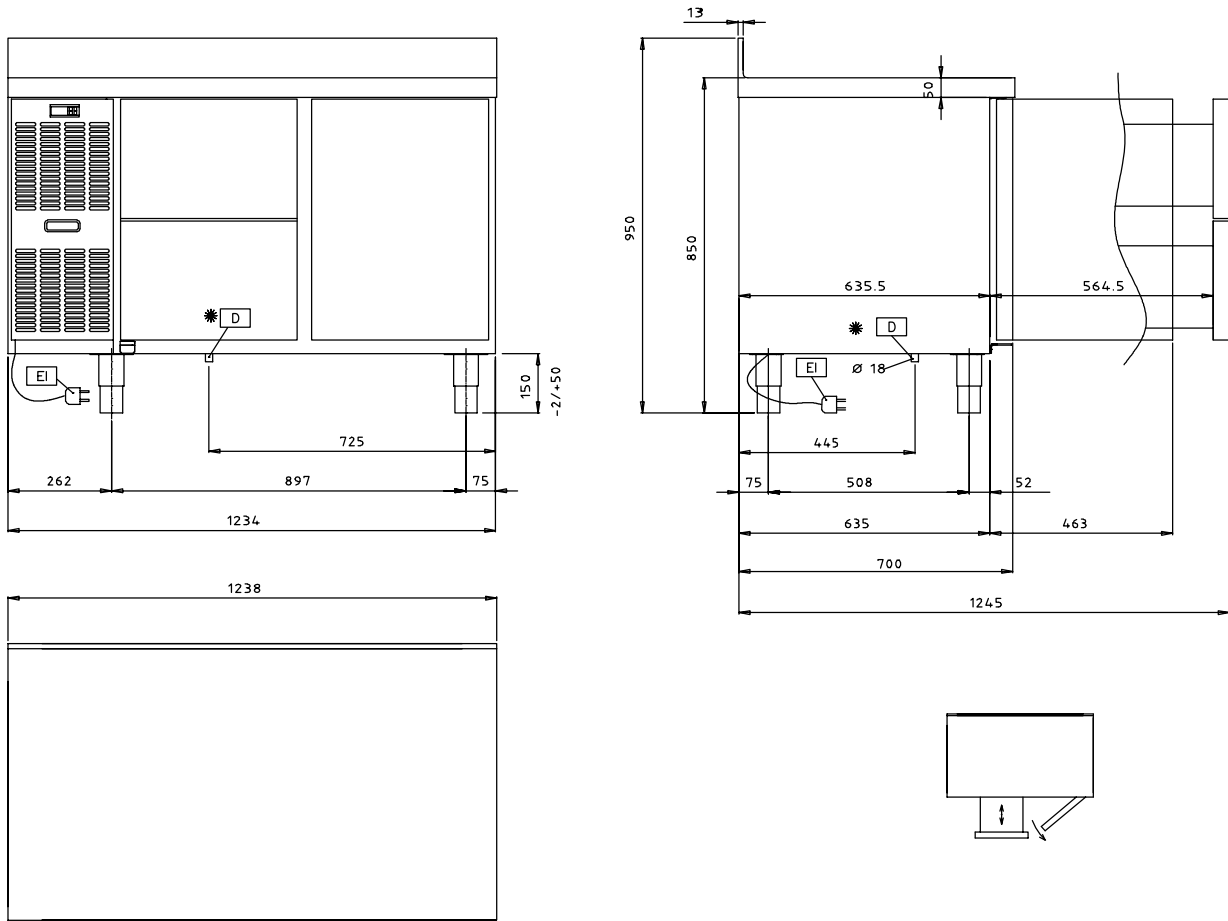
HBBD010

2009-10-06

Subject to change without notice

Electrolux concept counters
Freezers

728635, 728304



* CONCEPT LINE

HBBD010

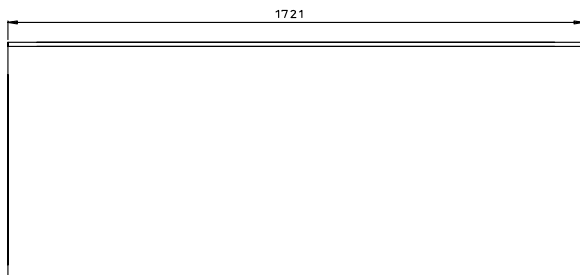
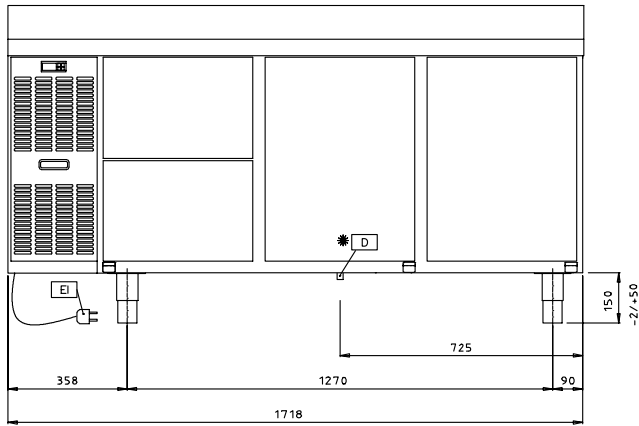
2009-10-06

Subject to change without notice

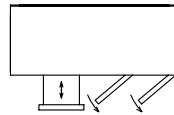
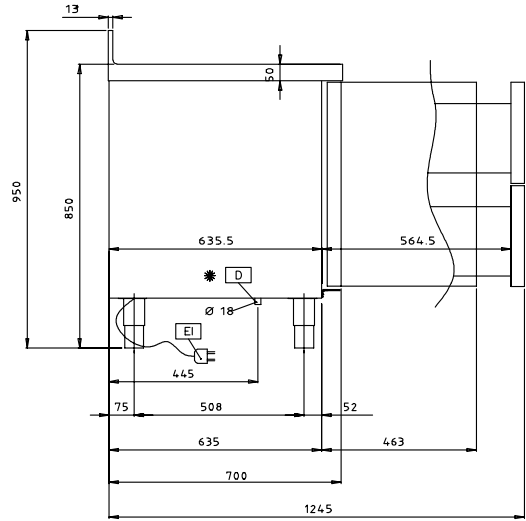
LEGEND	RCHBF2P 728635	RCHBF1P2C 728304
	EI - Electrical connection	230 V, 1N, 50

Electrolux concept counters
Freezers

728636, 728305



* CONCEPT LINE



HBBD010

2009-10-06

Subject to change without notice

LEGEND	RCHBF3P 728636	RCHBF2P2C 728305
	EI - Electrical connection	230 V, 1N, 50