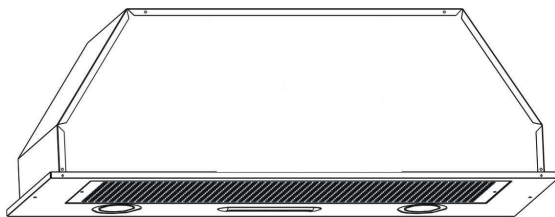




**GUESS WHOSE MUM'S GOT A WHIRLPOOL?®**



***SERVICE MANUAL***

***BUILT-IN HOOD***

***AKR 520 IX***

***AKR 520 WH***

## TECHNICAL DATA

### Electricity

Voltage 220-240 V

Frequency 50 Hz

### Power

Total 124 W

Fan motor 120 W

Illumination 2 x 2 W  
(LED lamp)

### Nominal air flow

#### Speed 1

Externally vented 390 m<sup>3</sup>/h

#### Speed 2

Externally vented 450 m<sup>3</sup>/h

#### Speed 3

Externally vented 570 m<sup>3</sup>/h

### Noise Level

#### Speed 1

Externally vented 46.3 dB

#### Speed 2

Externally vented 50.4 dB

#### Speed 3

Externally vented 52.5 dB

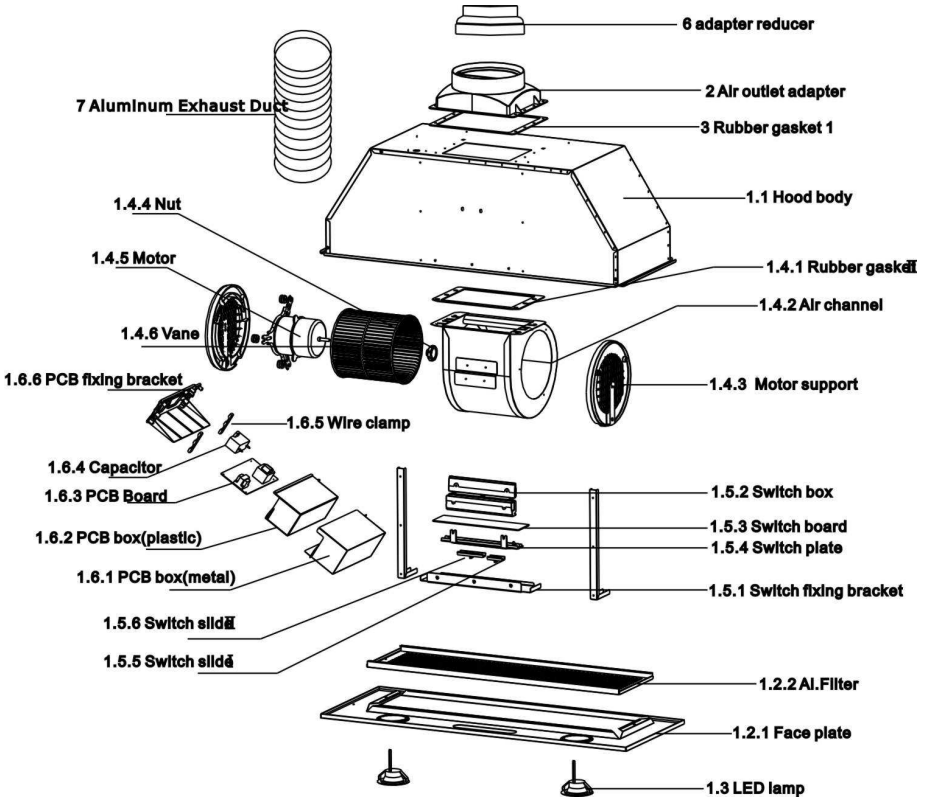
### Distance from cooking area

Electric 650 mm

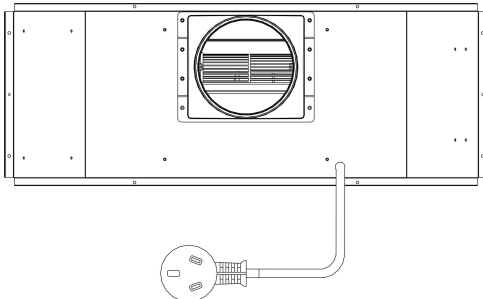
Gas 750 mm

**Air exhaust Flange  
dia** 150 mm

# EXPLODED VIEW



## Supply cord attached sketch



<b>SERVICE PARTS LIST</b>			
<b>Key no.</b>	<b>Parts No.</b>	<b>Description</b>	<b>Q'TY</b>
1.1	09010101189001	Hood body(white)	1set
1.2.1	09010101193001	Face plate(AKR520WH)	1pc
	09010101192	Face plate(AKR520IX)	1pc
1.2.2	09070100115	Al. filter	1pc
1.3	09040400015	LED lamp	2pcs
*1.3.1	09040600039	Lamp wire	1pc
1.4.1	09030100061	Rubber gasket	1pc
1.4.2	09010200003058	Air channel	1pc
1.4.3	09020000090	Motor support	2pcs
1.4.4	09100100030	Nut	1pc
1.4.5	09040100081	Motor	1pc
1.4.6	09140100030	Vane	1pc
1.5.1	09010600310001	Switch fixing bracket	1pc
1.5.2	09020300030	Switch box	1pc
1.5.3	090403000411	Switch control board	1pc
1.5.4	09020100033.001	Switch plate	1pc
1.5.5	09020100035	Switch slide I	1pc
1.5.6	09020100038	Switch slide II	1pc
*1.5.7	09040600005	Switch wire	1pc
1.6.1	09010300011001	PCB box(metal)	1pc
1.6.2	09020300058	PCB box(plastic)	1pc
1.6.3	09040500001	PCB board	1pc

SERVICE PARTS LIST			
Key no.	Parts No.	Description	Q'TY
1.6.4	09040200012	Capacitor	1pc
1.6.5	09020000006	Wire clamp	2pcs
1.6.6	09020300061	PCB fixing bracket	1pc
002	09020200080	Air outlet adapter(including flag)	1set
003	09030100062	Rubber gasket I	1pc
006		Adapter reducer(150mm-120mm)	1pc
007		Aluminum exhaust duct	1pc

\* Not shown on the exploded view.

## TROUBLE SHOOTING

The cooker hood may not work or work improperly. Before calling the After-sales service, switch off the appliance, unplug the power supply and refer to this guide to determine the problem.

Status	Reasons	Solutions
No response of the lamps and the motor	1. The plug is off from the power socket.	1. Ensure that the plug is put into the power socket properly.
	2. The power cord is damaged.	2. Replace the power cord if the power cord is damaged.
	The fuse on the PCB board is damaged.	Replace the fuse on the PCB board.
	The switch is damaged.	Repair or replace the switch.

Status	Reasons	Solutions
The motor doesn't work	The vane is stuck or the motor is stuck.	Manually turn the vane to ensure that vane and the motor can rotate smoothly, if not, clear away that foreign bodies stuck inside, or repair, or replace the motor to ensure the vane and the motor can rotate smoothly.
	The switch is damaged.	Repair or replace the switch.
	The external wire or the wire connectors are damaged.	Repair or replace the damaged external wire or the wire connectors.
	The capacitor is damaged.	Repair or replace the damaged capacitor.
	The motor is damaged.	Check the resistance of the winding of the motor, and if the motor emits a bad odor of combustion then probably the capacitor is damaged and it must be replaced.
The lamp doesn't work	The connectors of the inner wire of the lamp are off or the connectors are damaged.	Connect well or replace.
	The lamp is damaged.	Replace the damaged lamp.
The lamp doesn't work	The switch is damaged.	Repair or replace the damaged switch.
	The transformer is damaged.	Check the transformer whether there is 12V output, if no, replace it.

Status	Reasons	Solutions
The hood body gives out strong vibrations and a loud noise	<ol style="list-style-type: none"> <li>1. The hood has not been installed properly according to the installation process described in the instruction manual.</li> <li>2. Check if the joint connection of each part has any damages.</li> </ol>	Ensure the hood has been installed properly according to the instruction manual.
	The vane is not balanced or is damaged.	Adjust the balance of the vane or replace the vane.
	The motor has not been fixed well.	Fix well the motor.
The air exhaust performance is bad	Check if the distance between the hood and the cooker top is too big.	The ideal distance is 65-75cm.
	Ensure there is adequate ventilation.	Open the door and windows properly. Improve the environment.
	The duct is damaged.	Repair or replace the damaged duct.
	The damper (flaps) is damaged.	Disassemble the duct from the hood, check the damper (flaps) that has been installed into the air outlet adapter can open and close properly.
	The rotation is reduced obviously.	Replace the capacitor or the motor.

# WIRING DIAGRAM

