



# McMILLEN

BY PALADIN

## OPERATOR'S AND PARTS MANUAL

### X-SERIES EARTH AUGER

**X950, X1450, X1950, X2450, X1455 X1955  
X1200, X1600, X2200, X3450, & X4450  
X975, X1475, X1975, X2475, X3575**



**SERIAL NUMBER:** \_\_\_\_\_

**MODEL NUMBER:** \_\_\_\_\_

**Manual Number: 22681**

**Revision: 16**



# TABLE OF CONTENTS

## AUGER DRIVES

<b>PREFACE</b> .....	3
<b>SAFETY PRECAUTIONS</b>	
SAFETY STATEMENTS .....	5
GENERAL SAFETY PRECAUTIONS .....	5-7
EQUIPMENT SAFETY PRECAUTIONS .....	8-9
<b>DECALS</b> .....	10
<b>INSTALLATION INSTRUCTIONS</b> .....	11-13
<b>HYDRAULIC SYSTEM HOOK-UP INSTRUCTIONS</b> .....	14
<b>OPERATING INSTRUCTIONS</b>	
INTENDED USE .....	15
OPERATION .....	15-16
STORAGE .....	16
LIFT POINTS .....	16
TIE DOWN POINTS .....	17
TRANSPORTING .....	17
<b>MAINTENANCE</b>	
LUBRICATION .....	18
MAINTENANCE CHART .....	18
PLANETARY GEARBOX .....	19
WEAR PARTS .....	20
<b>TROUBLESHOOTING</b> .....	21
<b>SPECIFICATIONS</b> .....	22-23
<b>LIMITED WARRANTY</b> .....	24
<b>PARTS</b>	
75 SERIES AUGER DRIVE ASSEMBLIES .....	26-27
X3575 AUGER DRIVE ASSEMBLY .....	28-29
X3450 & X4450 AUGER DRIVE ASSEMBLIES .....	30-31
X1455 & X1955 AUGER DRIVE ASSEMBLIES .....	32-33
950, 1450, 1950 & 2450 AUGER DRIVE ASSEMBLIES .....	34
1200, 1600 & 2200 AUGER DRIVE ASSEMBLIES .....	35
PLANETARY ASSEMBLY (DIGGA) .....	36-37
PLANETARY ASSEMBLY (AUBURN) .....	38-39

**THIS PAGE  
IS INTENTIONALLY  
BLANK**

# PREFACE

## GENERAL COMMENTS

Congratulations on the purchase of your new McMillen product! This product was carefully designed and manufactured to give you many years of dependable service. Only minor maintenance (such as cleaning and lubricating) is required to keep it in top working condition. Be sure to observe all maintenance procedures and safety precautions in this manual and on any safety decals located on the product and on any equipment on which the attachment is mounted.

This manual has been designed to help you do a better, safer job. Read this manual carefully and become familiar with its contents.

**WARNING!**  **Never let anyone operate this unit without reading the "Safety Precautions" and "Operating Instructions" sections of this manual. Always choose hard, level ground to park the vehicle on and set the brake so the unit cannot roll.**

Unless noted otherwise, right and left sides are determined from the operator's control position when facing the attachment.

**NOTE: The illustrations and data used in this manual were current (according to the information available to us) at the time of printing, however, we reserve the right to redesign and change the attachment as may be necessary without notification.**

## BEFORE OPERATION

The primary responsibility for safety with this equipment falls to the operator. Make sure the equipment is operated only by trained individuals that have read and understand this manual. If there is any portion of this manual or function you do not understand, contact your local authorized dealer or the manufacturer to obtain further assistance. Keep this manual available for reference. Provide the manual to any new owners and/or operators.

## SAFETY ALERT SYMBOL



This is the "Safety Alert Symbol" used by this industry. This symbol is used to warn of possible injury. Be sure to read all warnings carefully. They are included for your safety and for the safety of others working with you.

## SERVICE

Use only manufacturer replacement parts. Substitute parts may not meet the required standards.

Record the model and serial number of your unit on the cover of this manual. The parts department needs this information to insure that you receive the correct parts.

## SOUND AND VIBRATION

Sound pressure levels and vibration data for this attachment are influenced by many different parameters: some items are listed below (not inclusive):

- prime mover type, age, condition, with or without cab enclosure and configuration
- operator training, behavior, stress level
- job site organization, working material condition, environment

Based on the uncertainty of the prime mover, operator, and job site, it is not possible to get precise machine and operator sound pressure levels or vibration levels for this attachment.

**NOTE: A list of all Paladin Patents can be found at <http://www.paladinattachments.com/patents.asp>.**

M-1643 7-31-13-3

**THIS PAGE  
IS INTENTIONALLY  
BLANK**

# SAFETY STATEMENTS



THIS SYMBOL BY ITSELF OR WITH A WARNING WORD THROUGHOUT THIS MANUAL IS USED TO CALL YOUR ATTENTION TO INSTRUCTIONS INVOLVING YOUR PERSONAL SAFETY OR THE SAFETY OF OTHERS. FAILURE TO FOLLOW THESE INSTRUCTIONS CAN RESULT IN INJURY OR DEATH.



## DANGER

THIS SIGNAL WORD IS USED WHERE SERIOUS INJURY OR DEATH WILL RESULT IF THE INSTRUCTIONS ARE NOT FOLLOWED PROPERLY.



## WARNING

THIS SIGNAL WORD IS USED WHERE SERIOUS INJURY OR DEATH COULD RESULT IF THE INSTRUCTIONS ARE NOT FOLLOWED PROPERLY.



## CAUTION

THIS SIGNAL WORD IS USED WHERE MINOR INJURY COULD RESULT IF THE INSTRUCTIONS ARE NOT FOLLOWED PROPERLY.

## NOTICE

NOTICE INDICATES A PROPERTY DAMAGE MESSAGE.

## GENERAL SAFETY PRECAUTIONS

### WARNING!

#### READ MANUAL PRIOR TO INSTALLATION



Improper installation, operation, or maintenance of this equipment could result in serious injury or death. Operators and maintenance personnel should read this manual, as well as all manuals related to this equipment and the prime mover thoroughly before beginning installation, operation, or maintenance. **FOLLOW ALL SAFETY INSTRUCTIONS IN THIS MANUAL AND THE PRIME MOVER'S MANUAL(S).**



#### READ AND UNDERSTAND ALL SAFETY STATEMENTS

Read all safety decals and safety statements in all manuals prior to operating or working on this equipment. Know and obey all OSHA regulations, local laws, and other professional guidelines for your operation. Know and follow good work practices when assembling, maintaining, repairing, mounting, removing, or operating this equipment.



#### KNOW YOUR EQUIPMENT

Know your equipment's capabilities, dimensions, and operations before operating. Visually inspect your equipment before you start, and never operate equipment that is not in proper working order with all safety devices intact. Check all hardware to ensure it is tight. Make certain that all locking pins, latches, and connection devices are properly installed and secured. Remove and replace any damaged, fatigued, or excessively worn parts. Make certain all safety decals are in place and are legible. Keep decals clean, and replace them if they become worn or hard to read.

## GENERAL SAFETY PRECAUTIONS

### WARNING!



#### PROTECT AGAINST FLYING DEBRIS

Always wear proper safety glasses, goggles, or a face shield when driving pins in or out, or when any operation causes dust, flying debris, or any other hazardous material.

### WARNING!



#### LOWER OR SUPPORT RAISED EQUIPMENT

Do not work under raised booms without supporting them. Do not use support material made of concrete blocks, logs, buckets, barrels, or any other material that could suddenly collapse or shift positions. Make sure support material is solid, not decayed, warped, twisted, or tapered. Lower booms to ground level or on blocks. Lower booms and attachments to the ground before leaving the cab or operator's station.

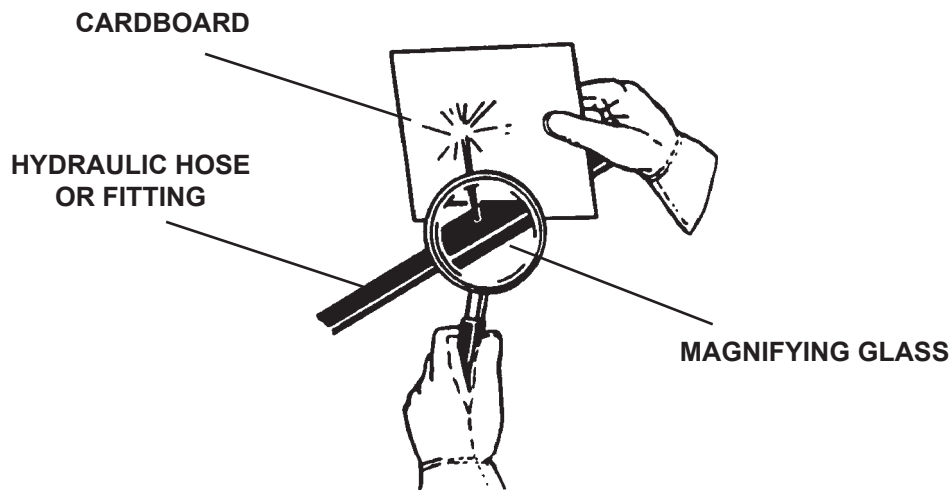
### WARNING!



#### USE CARE WITH HYDRAULIC FLUID PRESSURE

Hydraulic fluid under pressure can penetrate the skin and cause serious injury or death. Hydraulic leaks under pressure may not be visible. Before connecting or disconnecting hydraulic hoses, read your prime mover's operator's manual for detailed instructions on connecting and disconnecting hydraulic hoses or fittings.

- Keep unprotected body parts, such as face, eyes, and arms as far away as possible from a suspected leak. Flesh injected with hydraulic fluid may develop gangrene or other permanent disabilities.
- If injured by injected fluid, see a doctor at once. If your doctor is not familiar with this type of injury, ask him or her to research it immediately to determine proper treatment.
- Wear safety glasses, protective clothing, and use a piece of cardboard or wood when searching for hydraulic leaks. **DO NOT USE YOUR HANDS! SEE ILLUSTRATION.**





# GENERAL SAFETY PRECAUTIONS

## WARNING!



### DO NOT MODIFY MACHINE OR ATTACHMENTS

Modifications may weaken the integrity of the attachment and may impair the function, safety, life, and performance of the attachment. When making repairs, use only the manufacturer's genuine parts, following authorized instructions. Other parts may be substandard in fit and quality. Never modify any ROPS (Roll Over Protection Structure) or FOPS (Falling Object Protective Structure) equipment or device. Any modifications must be authorized in writing by the manufacturer.

## WARNING!



### SAFELY MAINTAIN AND REPAIR EQUIPMENT

- Do not wear loose clothing or any accessories that can catch in moving parts. If you have long hair, cover or secure it so that it does not become entangled in the equipment.
- Work on a level surface in a well-lit area.
- Use properly grounded electrical outlets and tools.
- Use the correct tools for the job at hand. Make sure they are in good condition for the task required.
- Wear the protective equipment specified by the tool manufacturer.



### SAFELY OPERATE EQUIPMENT

Do not operate equipment until you are completely trained by a qualified operator in how to use the controls, know its capabilities, dimensions, and all safety requirements. See your machine's manual for these instructions.

- Keep all step plates, grab bars, pedals, and controls free of dirt, grease, debris, and oil.
- Never allow anyone to be around the equipment when it is operating.
- Do not allow riders on the attachment or the prime mover.
- Do not operate the equipment from anywhere other than the correct operator's position.
- Never leave equipment unattended with the engine running, or with this attachment in a raised position.
- Do not alter or remove any safety feature from the prime mover or this attachment.
- Know your work site safety rules as well as traffic rules and flow. When in doubt on any safety issue, contact your supervisor or safety coordinator for an explanation.

## EQUIPMENT SAFETY PRECAUTIONS

### WARNING!



#### **KNOW WHERE UTILITIES ARE**

Observe overhead electrical and other utility lines. Be sure equipment will clear them. When digging, call your local utilities for location of buried utility lines, gas, water, and sewer, as well as any other hazard you may encounter.

### WARNING!



#### **EXPOSURE TO RESPIRABLE CRYSTALLINE SILICA DUST ALONG WITH OTHER HAZARDOUS DUSTS MAY CAUSE SERIOUS OR FATAL RESPIRATORY DISEASE.**

It is recommended to use dust suppression, dust collection and if necessary personal protective equipment during the operation of any attachment that may cause high levels of dust.

### WARNING!



#### **REMOVE PAINT BEFORE WELDING OR HEATING**

Hazardous fumes/dust can be generated when paint is heated by welding, soldering or using a torch. Do all work outside or in a well ventilated area and dispose of paint and solvent properly. Remove paint before welding or heating.

When sanding or grinding paint, avoid breathing the dust. Wear an approved respirator. If you use solvent or paint stripper, remove stripper with soap and water before welding. Remove solvent or paint stripper containers and other flammable material from area. Allow fumes to disperse at least 15 minutes before welding or heating.

### WARNING!



#### **END OF LIFE DISPOSAL**

At the completion of the useful life of the unit, drain all fluids and dismantle by separating the different materials (rubber, steel, plastic, etc.). Follow all federal, state and local regulations for recycling and disposal of the fluid and components.



#### **OPERATING THE AUGER**

- All bystanders should be kept a minimum of 10 feet (3 meters) away from the working area of the earth auger.
- Operate only from the operator's station.
- Avoid steep hillside operation which could cause the prime mover to overturn. Consult your prime mover operator's and safety manuals for maximum incline allowable.
- Reduce speed when driving over rough terrain, on a slope, or turning, to avoid overturning the vehicle.
- An operator must not use drugs or alcohol, which can change his or her alertness or coordination. An operator taking prescription or over-the-counter drugs should seek medical advice on whether or not he or she can safely operate equipment.
- Before exiting the prime mover, lower the attachment to the ground, apply the parking brakes, turn off the prime mover's engine, and remove the key.
- Flow and pressure gauges, fittings, and hoses must have a continuous operating pressure rating of at least 25% higher than highest pressures of the system.

# EQUIPMENT SAFETY PRECAUTIONS



## TRANSPORTING THE AUGER

- Travel only with the earth auger in a safe transport position to prevent uncontrolled movement. Drive slowly over rough ground and on slopes.
- Tether the earth auger with a chain, if necessary, to prevent uncontrolled swinging of the auger when moving from hole to hole.
- Do not drive close to ditches, excavations, etc., cave in could result.
- Do not smoke when refueling the prime mover. Allow room in the fuel tank for expansion. Wipe up any spilled fuel. Secure cap tightly when done.
- Remove the earth auger from the prime mover before transporting to and from the job site.



## MAINTAINING THE AUGER

- Before performing maintenance, lower the attachment to the ground, apply the parking brakes, turn off the engine, and remove the key.
- Never adjust a relief valve for pressure higher than recommended by the prime mover manufacturer.
- Never perform any work on an attachment unless you are authorized and qualified to do so. Always read the operator service manual's before any repair is made. After completing maintenance or repair, check for correct functioning of the attachment. If not functioning properly, always tag "DO NOT OPERATE" until all problems are corrected.
- Worn, damaged, or illegible safety decals must be replaced. New safety decals can be ordered from McMillen® free of charge.
- Never make hydraulic repairs while the system is under pressure. Serious personal injury or death could occur.

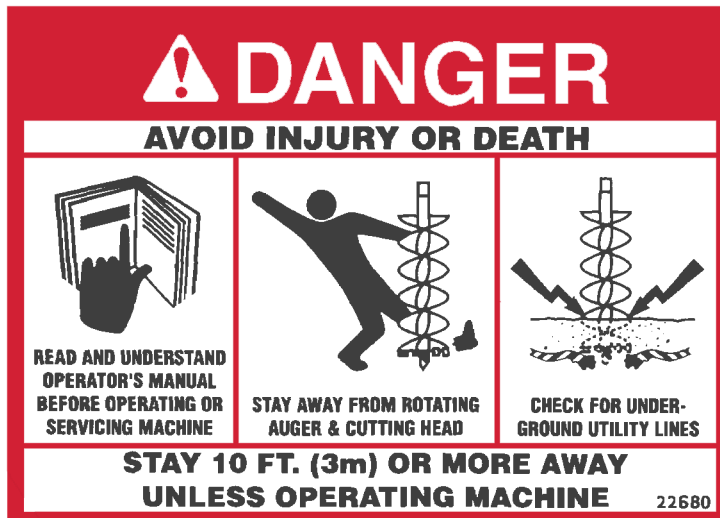
# DECALS

## GENERAL INFORMATION

The following decals are reductions of the actual decals used on auger drives. Use this information to order replacements for lost or damaged decals. Be sure you understand all decals before operating the attachment. They contain information you need to know for attachment safety.

**IMPORTANT:** Keep all safety decals clean and legible. Replace all missing, or damaged safety decals. When replacing parts with safety decals attached, the safety decals must also be replaced.

**REPLACING SAFETY DECALS:** Clean the area of application with a nonflammable solvent, then wash the same area with soap and water. Allow the surface to dry. Remove the backing from the safety decal, exposing the adhesive surface. Apply the safety decal to the position shown in the diagram, and smooth out any bubbles.



PART #22680  
DANGER DECAL  
(LOCATED ON THE MOTOR/PLANETARY HOUSING)

**NOTE: CONTACT YOUR LOCAL DEALER TO PURCHASE LOGO AND MODEL NUMBER DECALS.**

# INSTALLATION INSTRUCTIONS

## GENERAL INFORMATION

Find the mounting kit diagram and parts list for the kit you have received. Study the diagram and familiarize yourself with the names of the various parts. This knowledge will assist you in understanding these instructions.

Read these instructions carefully before attempting to mount the auger.

### READ AND UNDERSTAND ALL SAFETY INFORMATION PRIOR TO MOUNTING YOUR AUGER.

## QUICK ATTACH MOUNTING ASSEMBLIES

(Includes some Excavator Mounts, Telehandler Mounts and all Skid Steer & Wheel Loader Mounts.)

1. Remove the bucket or other attachment from the prime mover quick attach mechanism.
2. Attach the quick attach mounting bracket to the prime mover quick attach mechanism, as per manufacturer's recommendations.
3. Attach the swivel (#21694) to the quick attach mounting bracket with pin (#22255) provided. Secure the pin in place with klik pins (#21169).
4. If your mounting bracket is designed for the installation of a cradle, bolt the cradle to the bracket using the .50" UNC X 2.00" capscrews, lock washers and hex nuts provided.
5. Install the drive unit to the swivel using the pin provided with the drive unit assembly.
6. Install the auger to the drive unit with the bolt and nut provided with the drive unit assembly.
7. Refer to the **"HYDRAULIC SYSTEM HOOK-UP"** section in this manual for hydraulic connection instructions and recommendations.

## BACKHOE AND EXCAVATOR "PENDULUM" MOUNTING ASSEMBLIES

1. Remove the bucket from the dipper arm and curl cylinder pin connections. The dipper arm pin will be used to attach auger pendulum mounting to the dipper arm. Curl cylinder pin will not be required for auger installation.
2. If using a universal adjustable width pendulum mounting assembly: Space the two backhoe adapter ears to the same width as the dipper arm and secure to the base using the .50" hardware provided. After determining the correct width, the backhoe adapter ears must be welded to the base.

## INSTALLATION INSTRUCTIONS

3. Attach the pendulum mounting (all types) to the dipper using the dipper arm pin removed from the bucket in Step #1. Secure the bucket pin as per prime mover manufacturer's recommendation.
4. Install the auger drive unit to pendulum mount with pivot pin provided with the drive unit assembly.
5. Install the auger to the drive unit with the bolt and nut provided with the drive unit assembly.
6. Refer to the **"HYDRAULIC SYSTEM HOOK-UP"** section in this manual for hydraulic connection instructions and recommendations.

### BACKHOE AND EXCAVATOR "PIN GRABBER" MOUNTING ASSEMBLIES

1. Remove the bucket from the dipper arm and curl cylinder pin connections.
2. Attach the pin grabber mounting (all types) to the dipper and curl cylinder using the pivot pins and cotter pins provided.
3. Attach the swivel (#21694) to the pin grabber mounting bracket with pivot pin provided. Secure the pin in place with klik pins (#21169).

**NOTE: Some assemblies require the installation of step bushings on each side of the swivel when supplied with a pivot pin longer than the standard #22255 (1.25" diameter by 6.00" effective length) pivot pin.**

4. If your mounting bracket is designed for the installation of a cradle, bolt the cradle to the bracket using the .50" UNC X 2.00" capscrews, lock washers and hex nuts provided.
5. Install the drive unit to the swivel using the pin provided with the drive unit assembly.
6. Install the auger to the drive unit with the bolt and nut provided with the drive unit assembly.
7. Refer to the **"HYDRAULIC SYSTEM HOOK-UP"** section in this manual for hydraulic connection instructions and recommendations.

# INSTALLATION INSTRUCTIONS

## UNIVERSAL FRONT END LOADER MOUNTING ASSEMBLY

1. The universal front end loader mounting assembly (#21235) can be used to adapt your McMillen Earth Auger to the side of the loader arm, lip of a bucket, or fork lift forks. **DO NOT USE ON SKID -STEER LOADERS.**
2. Place loader bracket clamp plate (#21449) on the inside of the loader arm, top of the bucket lip or top of fork lift fork.

**NOTE: For mounting on lip of bucket you will need to drill two 7/16" diameter holes through the bucket.**

3. Place the loader bracket #21628 on the opposite side of clamp plate and secure with the four .44" bolts #1080 and hex nuts #1227 provided.
4. Attach the swivel (#21694) to the loader mounting bracket with pivot pin #22255 provided. Secure the pin in place with klik pins (#21169).
5. Install the drive unit to the swivel using the pin provided with the drive unit assembly.
6. Install the auger to the drive unit with the bolt and nut provided with the drive unit assembly.
7. Refer to the **"HYDRAULIC SYSTEM HOOK-UP"** section in this manual for hydraulic connection instructions and recommendations.

## WELD-ON EXCAVATOR MOUNTING

McMillen offers a blank weld on plate with mounting ears and swivel for welding onto your own excavator mounting bracket.

After securely welding the plate onto your bracket:

1. Attach the swivel (#21694) to the mounting plate with pivot pin #22255 provided. Secure the pin in place with klik pins #21169.
2. Install the drive unit to the swivel using the pin provided with the drive unit assembly.
3. Install the auger to the drive unit with the bolt and nut provided with the drive unit assembly.
4. Refer to the **"HYDRAULIC SYSTEM HOOK-UP"** section in this manual for hydraulic connection instructions and recommendations.

# HYDRAULIC SYSTEM HOOK-UP INSTRUCTIONS

## GENERAL INFORMATION

Once the installation instructions are complete, you are now ready to make the hydraulic connections necessary to operate your earth drill.

### READ AND UNDERSTAND SAFETY INFORMATION PRIOR TO MAKING HYDRAULIC CONNECTIONS.

Your equipment dealer is in the best position to advise you as to where the best place on your machine is to make the hydraulic connections to power your earth drill drive unit. The list below shows the most common places to “tap” into the hydraulic system on various types of machines.

- **SKID STEER LOADERS** - Auxiliary hydraulic outlets.
- **BACKHOES & EXCAVATORS** - Auxiliary hydraulic outlets or bucket curl cylinder circuit.
- **WHEEL LOADERS & TRACTOR LOADERS** - Auxiliary hydraulic outlets or bucket tilt (dump) cylinder circuit.

Determine the length of hydraulic hoses required to plumb drive unit into the place on your machine where you will be “tapping” into the hydraulics. Be sure the two hydraulic hoses are long enough to perform at the full range of the earth drill’s operating capacity. A case drain line may also be required to operate your earth drill.

- **Models 975, 1475, 1975, 2475 and 3575** require two 1/2”(12.7mm) or 3/4” (19mm) ID hydraulic hoses with #10 JIC Female fittings on one end of each hose to connect hoses to drive unit fittings.
- **Models 3450 and 4450 ONLY.** These models are designed for maximum back pressure of 400 psi (28 kg/cm<sup>2</sup>) and require two 3/4” (19mm) hydraulic hoses with #12 JIC Female fittings on one end of each hose to connect hoses to drive unit fittings.

**For back pressures exceeding 400 psi (28 kg/cm<sup>2</sup>):** A **Drain Line Kit** (Part #21218) is available for models 3450 and 4450 when back pressures exceed 400 psi. **To order**, contact your local dealer.

**NOTE:** Fittings on the other end of each hydraulic hose should match the threads on the hydraulic quick couplers to be used.

**WARNING! HOSES AND FITTINGS MUST HAVE A CONTINUOUS OPERATING PRESSURE RATING OF AT LEAST 25% HIGHER THAN THE HIGHEST PRESSURES OF THE SYSTEM YOU ARE “TAPPING” INTO.**



Once all of the hydraulic connections have been made and checked for leaks, you are now ready to operate your earth drill. **READ AND UNDERSTAND OPERATING INSTRUCTIONS AND SAFETY INFORMATION PRIOR TO OPERATING YOUR EARTH DRILL.**



# OPERATING INSTRUCTIONS

## INTENDED USE

This unit is designed for drilling vertical holes into the earth. Use in any other way is considered contrary to the intended use.

1. After all installation instructions have been completed, safety information read and understood, and the rest of this operator's manual has been reviewed, your McMillen Hydraulic Earth Drill is now ready for use.
2. With the auger raised off the ground and the vehicle engine set at a low RPM, activate the earth drill control valve to determine which position the control valve lever must be in to turn auger in a forward (clockwise) rotation. This is the "digging" position.
3. Before beginning to dig, experiment with auger speed to determine a suitable auger RPM. Generally in light and sandy soil a high RPM is desirable. In hard, rocky, or frozen soils a slower RPM is desirable. To increase auger RPM, increase vehicle engine RPM. To decrease auger RPM, decrease vehicle engine RPM.
4. Return earth drill control valve to neutral position to stop the auger. Lower the auger to the ground so that only the center point penetrates the ground about 2" (51mm).
5. Activate the earth drill control valve so auger is turning in a forward (clockwise) rotation. Use only enough down pressure to assure positive penetration of auger into the ground. Ease up on down pressure if auger rotation slows down drastically or stalls.

**NOTE: Excessive down pressure will cause the auger to stall frequently.**

6. When auger has penetrated the ground about 24" (610mm), raise the auger from the hole to clean the dirt out. Repeat this procedure until the desired hole depth is obtained.
7. Once the required hole depth is reached, allow the auger to turn a few seconds at this depth to clean the hole.
8. Return the earth drill control valve to the neutral position to stop the rotation of the auger. Raise the auger out of the hole, move away from the hole, then activate the earth drill control valve to spin the loose soil off of the augers.

**NOTE: Do not reverse the auger rotation to remove from the hole as loose soil on the auger flights will fall back into the hole.**

9. If necessary, repeat steps 7 & 8 to obtain a cleaner hole.
10. In some soil conditions or when excessive down pressure is applied, auger may "screw" itself into the ground and become stuck causing earth drill to stall. If this happens, reverse the auger rotation (counter-clockwise) by moving the control valve lever to the reverse position and slowly raise the auger. Once unstuck, return the control valve lever to the forward rotation position and continue digging.

# OPERATING INSTRUCTIONS

11. If the auger becomes lodged under rocks, roots, or other large obstructions, do not attempt to raise the auger out of the ground. See step 10 for proper procedure to relieve the auger.
12. Avoid excessive side loading to earth drill which can cause drive unit or auger damage.
13. Keep auger teeth and points in good condition. Check frequently and always keep spares on hand so they can be replaced as wear is detected to avoid damage to tooth holders and auger flighting.

**WARNING:** To prevent possible injury or death, keep all bystanders 10 feet or more away from rotating auger. Take extra precautions when digging in locations where any type of landscape fabric may be present.



## STORAGE

- Check that drive unit motor and hoses are full of clean oil and planetary is full.
- Coat liberally with grease the output shaft and collar, extension shaft and collar, and all connecting pins to prevent rust and reduce wear.
- Clean the unit thoroughly, removing all mud, dirt, and grease.
- Inspect for visible signs of wear, breakage, or damage. Order any parts required and make the necessary repairs to avoid delays upon removal from storage.
- Tighten loose nuts, capscrews and hydraulic connections.
- Seal hydraulic system from contaminants and secure all hydraulic hoses off the ground to help prevent damage.
- Replace decals that are damaged or in unreadable condition.
- Store unit in a dry and protected place. Leaving the unit outside will materially shorten its life.

### Additional Precautions for Long Term Storage:

- Touch up all unpainted surfaces with paint to prevent rust.

## REMOVAL FROM STORAGE

- Remove cover.
- Wash unit and replace any damage and/or missing parts .
- Check hydraulic hoses for damage and replace as necessary.
- 

## LIFT POINTS

Lifting points are identified by lifting decals where required. Lifting at other points is unsafe and can damage attachment. Do not attach lifting accessories around cylinders or in any way that may damage hoses or hydraulic components.

# OPERATING INSTRUCTIONS

- Attach lifting accessories to unit at recommended lifting points.
- Bring lifting accessories together to a central lifting point.
- Lift gradually, maintaining the equilibrium of the unit.

**WARNING!** Use lifting accessories (chains, slings, ropes, shackles and etc.) that are capable of supporting the size and weight of your attachment. Secure all lifting accessories in such a way to prevent unintended disengagement. Failure to do so could result in the attachment falling and causing serious personal injury or death.



## TIE DOWN POINTS

Tie down points are identified by tie down decals where required. Securing to trailer at other points is unsafe and can damage attachment. Do not attach tie down accessories around cylinders or in any way that may damage hoses or hydraulic components.

- Attach tie down accessories to unit as recommended.
- Check unit stability before transporting.

**WARNING!** Verify that all tie down accessories (chains, slings, ropes, shackles and etc.) are capable of maintaining attachment stability during transporting and are attached in such a way to prevent unintended disengagement or shifting of the unit. Failure to do so could result in serious personal injury or death.



## TRANSPORTING

Follow all local government regulations that may apply along with recommended tie down points and any equipment safety precautions at the front of this handbook when transporting your attachment.

# MAINTENANCE


## GENERAL INFORMATION

Your McMillen earth drill was designed to be virtually maintenance free. Very little effort is needed to keep it in top working condition. It is however, important to follow these procedures to get full performance and longevity out of the unit.

## LUBRICATION

Change planetary gear reduction oil with API-GL-5, 80W or 90W lubricant after the first 50 hours of operation and then every 1000 hours or 12 months, whichever comes first.

Procedure	Daily	After First 50 Hours	1000 Hours or 12 Months
Check Hydraulic Oil for Contamination	✓		
Inspect Hydraulic Hoses for damage, leaking and/or signs of excessive heat. Replace if necessary.	✓		
Check Auger Point and Teeth for excessive wear or loose fit. Replace if necessary.	✓		
Check Drive Unit output shaft for excessive wear, damage or leakage. Replace if necessary.	✓		
Check all bolts and pivot pins for damage, breaks or wear. Replace if necessary.	✓		
Check all Accessories (Extensions, Collars)	✓		
Change Planetary Oil		✓	✓

**CAUTION!**  **EXCESSIVE VENTING OF LUBRICANT FROM PLANETARY MAY INDICATE THAT THE MOTOR SHAFT SEAL IS LEAKING. UNIT SHOULD BE REPAIRED IMMEDIATELY.**

**PLANETARY SHAFT SEAL REPLACEMENT IS THE ONLY PLANETARY REPAIR THAT CAN BE MADE WHILE THE UNIT IS UNDER WARRANTY. (SEE PARTS PAGES FOR PLANETARY SEAL NUMBER.)**

**MOTOR SHAFT SEAL REPLACEMENT IS THE ONLY HYDRAULIC MOTOR REPAIR THAT CAN BE MADE WHILE THE UNIT IS UNDER WARRANTY. (SEE PARTS PAGES FOR MOTOR SEAL NUMBER.)**

# MAINTENANCE

## PLANETARY GEARBOX

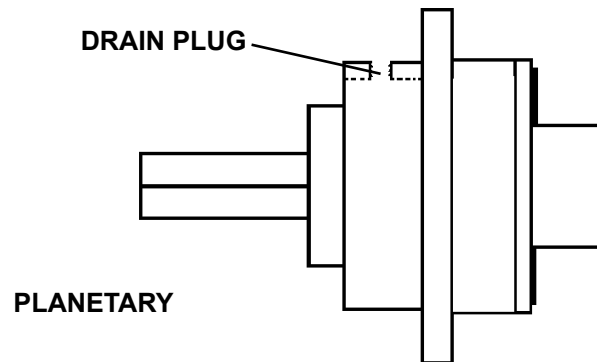
Change gear box oil using API-GL-5, 80W or 90W lubricant after the first 50 hours of operation and then every 1000 hours or 12 months, whichever comes first. Check oil level frequently to maintain proper lubrication. Oil should be at operating temperature when checking or changing gear box oil.

**NOTE: Place planetary in a horizontal position and wait 5 minutes before removing drain plug. This will give the oil a chance to drain from gears/bearings and therefore show an accurate oil level.**

## CHECKING PLANETARY LUBRICANT (DIGGA PLANETARIES)

All Planetaries with 2: Round Shafts and 2" Hex Shafts UP to SN #322509 and 2.56" Round Shafts UP to SN #329302)

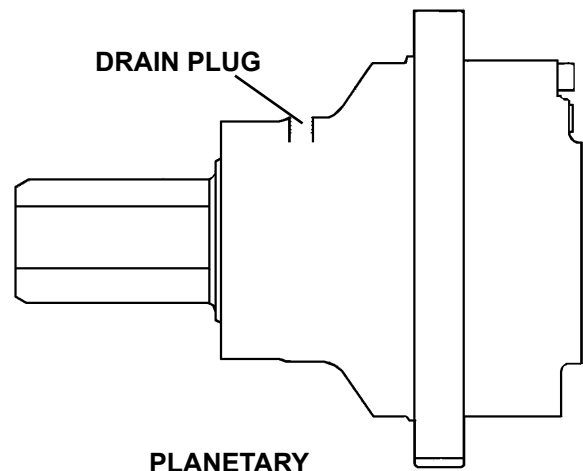
1. Place the planetary in a horizontal position.
2. Remove drain plug.
3. Check the lubricant level. Gear lub level should be visible through the drain plug port and up to the bottom of the threads.
4. To Fill: To Fill: Place the planetary in a horizontal position and add lubricant up to the threads of drain plug hole. Do not overfill. Oil capacity is approximately .62 (5/8) quarts.



## CHECKING PLANETARY LUBRICANT (AUBURN PLANETARIES)

(All 2" Hex Shafts SN #322510 and UP and 2.56" Round Shafts SN #329303 and UP)

1. Place the planetary in a horizontal position.
2. Remove drain plug.
3. Check the lubricant level. Gear lub level should be visible through the drain plug port and up to the bottom of the threads.
4. To Fill: Place the planetary in a horizontal position and add lubricant up to the threads of drain plug port. Do not overfill. Oil capacity is approximately .75 (3/4) quarts.



M-1728 12-29-14-4

### HDC STYLE AUGER WEAR PARTS LIST

AUGER DIA.	8"	9"	10"	12"	15"	16"	18"	20"	24"	30"	36"	42"	48"
<b>Part #</b>	152mm	203mm	229mm	254mm	305mm	381mm	406mm	457mm	610mm	762mm	914mm	1067mm	1219mm
<b>Description(Standard Components)</b>	Hardened Drive-In Gage Tooth	Hardened Drive-In Gage Tooth	Hardened Drive-In Gage Tooth	Hardened Drive-In Gage Tooth	Hardened Drive-In Gage Tooth	Hardened Drive-In Gage Tooth	Hardened Drive-In Gage Tooth	Hardened Drive-In Gage Tooth	Hardened Drive-In Gage Tooth	Hardened Drive-In Gage Tooth	Hardened Drive-In Gage Tooth	Hardened Drive-In Gage Tooth	Hardened Drive-In Gage Tooth
	2	2	2	2	2	2	2	2	2	2	2	2	2
	-	2	2	2	4	4	4	4	6	8	10	14	18
	1	1	1	1	1	1	1	1	1	1	1	1	1
	2	4	4	4	6	6	6	6	8	10	12	16	20

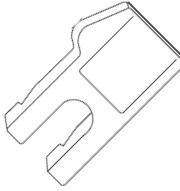
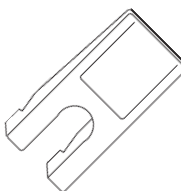

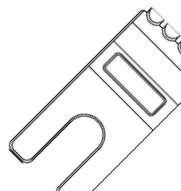
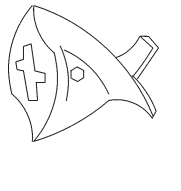
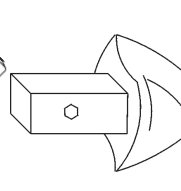
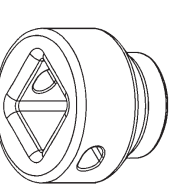
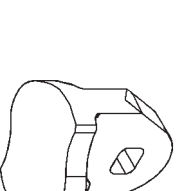
### HDF STYLE AUGER WEAR PARTS LIST

AUGER DIA.	6"	8"	9"	10"	12"	15"	16"	18"	20"	24"	30"	36"
<b>Part #</b>	102mm	152mm	203mm	229mm	254mm	305mm	381mm	406mm	457mm	610mm	762mm	914mm
<b>Description(Standard Components)</b>	Hardened Bolt-on Gage Tooth	Hardened Bolt-on Gage Tooth	Hardened Bolt-on Gage Tooth	Hardened Bolt-on Gage Tooth	Hardened Bolt-on Gage Tooth	Hardened Bolt-on Gage Tooth	Hardened Bolt-on Gage Tooth	Hardened Bolt-on Gage Tooth	Hardened Bolt-on Gage Tooth	Hardened Bolt-on Gage Tooth	Hardened Bolt-on Gage Tooth	Hardened Bolt-on Gage Tooth
	-	2	2	2	2	2	2	2	2	2	2	2
	-	-	1	1	1	2	3	3	4	6	7	9
	-	1	1	1	1	1	1	1	1	1	1	1
	1	-	-	-	-	-	-	-	-	-	-	-
	-	2	2	3	3	4	5	5	6	8	9	11
	-	2	2	3	4	4	5	5	6	8	9	11

### HTF STYLE AUGER WEAR PARTS LIST

AUGER DIA.	18"	24"	30"	36"	42"	48"
<b>Part #</b>	457mm	610mm	762mm	914mm	1067mm	1219mm
<b>Description(Standard Components)</b>	Hardened Bolt-on Gage Tooth	Hardened Bolt-on Gage Tooth	Hardened Bolt-on Gage Tooth	Hardened Bolt-on Gage Tooth	Hardened Bolt-on Gage Tooth	Hardened Bolt-on Gage Tooth
	4	4	4	4	4	4
	3	6	7	9	11	13
	1	1	1	1	1	1
	7	10	11	13	15	17
	7	10	11	13	15	17

### OPTIONAL HARDFACED & CARBIDE WEAR COMPONENTS

Part #	Description	Gage Tooth	Wisdom Tooth	Chisel Tooth	Carbide Wisdom Tooth
22170	Hardfaced Wisdom Tooth				
22186	Carbide Wisdom Tooth				
22181	Hardened Chisel Tooth				
22183	Hardfaced Chisel Tooth				
22182	Carbide Chisel Tooth				
22190	3.50" Hardened Fishtail Point (Male Hub)				
22192	3.50" Hardfaced Fishtail Point (Male Hub)				
22191	3.50" Carbide Fishtail Point (Male Hub)				
22193	3.50" Hardfaced /Carbide Fishtail Point (Male Hub)				
22003	4.50" Hardened Fishtail Point (Female)				
22004	4.50" Hardfaced Fishtail Point (Female)				
22005	4.50" Hardfaced /Carbide Fishtail Point (Female)				
22171	3.50" Hardened Fishtail Point (Female)				
22172	3.50" Carbide Fishtail Point (Female)				
22173	3.50" Hardfaced Fishtail Point (Female)				
22174	3.50" Hardfaced /Carbide Fishtail Point (Female)				

**IMPORTANT:** McMillen does not recommend augers exceeding 36" diameter for C-Series Drive Units.

**NOTE:** Contact your equipment dealer for wear components not listed above. If you have any special auger needs or applications, feel free to contact McMillen.

# TROUBLESHOOTING

PROBLEM	POSSIBLE CAUSE	POSSIBLE SOLUTION
Slow Speed	Low Flow	Check with flow meter. If low investigate cause.
	Line restrictions	Clear lines
	Fittings or connections too small	Replace with proper sizes.
	Oil filter dirty	Replace
	Hydraulic pump worn or damaged	See Dealer for repair
Insufficient Digging Power	Worn teeth or point	Replace
	Low system Pressure (PSI)	Check with pressure gauge. If low, investigate cause.
	Relief Valve damaged or setting wrong	Adjust or replace as required.
	Excessive load	Reduce load to within machine specifications.
Reverse Direction	Hoses reversed	Re-install hoses correctly.
Excessive Oil Heating	Line restrictions	Clear lines
	Fluid dirty	Replace hydraulic fluid and filter.
	Insufficient quantity of hydraulic fluid	Fill reservoir to proper level. increase reservoir storage capacity.
Oil Leaks	Hoses loose or damaged	Tighten or replace
	Fittings loose or damaged	Tighten or replace
	Hydraulic motor seals worn or damaged	See Dealer for repair.

# SPECIFICATIONS

## MODEL 950

Maximum Auger Diameter: 24"(610mm)  
 Minimum Hydraulic Flow: 6gpm(30lpm)  
 Maximum Hydraulic Flow: 15gpm(57lpm)  
 Maximum Continuous Operating PSI: 3000 psi (211 kg/cm<sup>2</sup>)  
 Maximum Back Pressure: 1500 psi (105 kg/cm<sup>2</sup>)  
 Output shaft Options: 2" (51mm) Round  
 2-9/16" (65mm) Round  
 2" (51mm)Hexagon

OUTPUT SPEED			OUTPUT TORQUE		
FLOW	SPEED	PRESSURE	TORQUE	TORQUE	
GPM (LPM)	= RPM	PSI (kg/cm <sup>2</sup> )	= Lb•Ft (N•m)		
6 (23)	= 38	2000 (141)	= 955 (1295)		
8 (30)	= 51	2500 (176)	= 1194 (1619)		
10 (38)	= 64	3000 (211)	= 1433 (1942)		
12 (45)	= 77				
15 (57)	= 96				

## MODEL 1450

Maximum Auger Diameter: 30"(762mm)  
 Minimum Hydraulic Flow: 10gpm(38lpm)  
 Maximum Hydraulic Flow: 25gpm(95lpm)  
 Maximum Continuous Operating PSI: 3000 psi (211 kg/cm<sup>2</sup>)  
 Maximum Back Pressure: 1500 psi (105 kg/cm<sup>2</sup>)  
 Output shaft Options: 2" (51mm) Round  
 2-9/16" (65mm) Round  
 2" (51mm)Hexagon

OUTPUT SPEED			OUTPUT TORQUE		
FLOW	SPEED	PRESSURE	TORQUE	TORQUE	
GPM (LPM)	= RPM	PSI (kg/cm <sup>2</sup> )	= Lb•Ft (N•m)		
10 (38)	= 41	2000 (141)	= 1482 (2009)		
12 (45)	= 49	2500 (176)	= 1853 (2512)		
14 (53)	= 58	3000 (211)	= 2224 (3015)		
16 (61)	= 66				
18 (68)	= 74				
20 (76)	= 83				
25 (95)	= 104				

## MODEL 1950

Maximum Auger Diameter: 36"(914mm)  
 Minimum Hydraulic Flow: 15gpm(57lpm)  
 Maximum Hydraulic Flow: 30gpm(114lpm)  
 Maximum Continuous Operating PSI: 3000 psi (211 kg/cm<sup>2</sup>)  
 Maximum Back Pressure: 1500 psi (105 kg/cm<sup>2</sup>)  
 Output shaft Options: 2" (51mm) Round  
 2-9/16" (65mm) Round  
 2" (51mm)Hexagon

OUTPUT SPEED			OUTPUT TORQUE		
FLOW	SPEED	PRESSURE	TORQUE	TORQUE	
GPM (LPM)	= RPM	PSI (kg/cm <sup>2</sup> )	= Lb•Ft (N•m)		
15 (57)	= 49	2000 (141)	= 1861 (2523)		
18 (68)	= 59	2500 (176)	= 2326 (3153)		
20 (76)	= 66	3000 (211)	= 2791 (3784)		
22 (83)	= 72				
24 (91)	= 79				
26 (98)	= 86				
28 (106)	= 92				
30 (114)	= 98				

## MODEL 2450

Maximum Auger Diameter: 36"(914mm)  
 Minimum Hydraulic Flow: 20gpm(76lpm)  
 Maximum Hydraulic Flow: 35gpm(132lpm)  
 Maximum Continuous Operating PSI: 3000 psi (211 kg/cm<sup>2</sup>)  
 Maximum Back Pressure: 1500 psi (105 kg/cm<sup>2</sup>)  
 Output shaft Options: 2" (51mm) Round  
 2-9/16" (65mm) Round  
 2" (51mm)Hexagon

OUTPUT SPEED			OUTPUT TORQUE		
FLOW	SPEED	PRESSURE	TORQUE	TORQUE	
GPM (LPM)	= RPM	PSI (kg/cm <sup>2</sup> )	= Lb•Ft (N•m)		
20 (76)	= 51	2000 (141)	= 2388 (3237)		
22 (83)	= 56	2500 (176)	= 2985 (4047)		
24 (91)	= 62	3000 (211)	= 3582 (4856)		
26 (98)	= 67				
28 (106)	= 72				
30 (114)	= 77				
35 (132)	= 90				

## MODEL 3450

Maximum Auger Diameter: 36"(914mm)  
 Minimum Hydraulic Flow: 25gpm(95lpm)  
 Maximum Hydraulic Flow: 45gpm(170lpm)  
 Maximum Continuous Operating PSI: 3000 psi (211 kg/cm<sup>2</sup>)  
 Maximum Back Pressure: 400 psi (28 kg/cm<sup>2</sup>)  
 Output shaft Options: 2" (51mm)Hexagon

OUTPUT SPEED			OUTPUT TORQUE		
FLOW	SPEED	PRESSURE	TORQUE	TORQUE	
GPM (LPM)	= RPM	PSI (kg/cm <sup>2</sup> )	= Lb•Ft (N•m)		
25 (95)	= 56	2000 (141)	= 2727 (3697)		
30 (114)	= 67	2500 (176)	= 3409 (4621)		
35 (132)	= 79	3000 (211)	= 4091 (5546)		
40 (151)	= 90				
45 (170)	= 101				

## MODEL 4450

Maximum Auger Diameter: 48"(914mm)  
 Minimum Hydraulic Flow: 30gpm(114lpm)  
 Maximum Hydraulic Flow: 60gpm(227lpm)  
 Maximum Continuous Operating PSI: 3000 psi (211 kg/cm<sup>2</sup>)  
 Maximum Back Pressure: 400 psi (28 kg/cm<sup>2</sup>)  
 Output shaft Options: 2" (51mm)Hexagon

OUTPUT SPEED			OUTPUT TORQUE		
FLOW	SPEED	PRESSURE	TORQUE	TORQUE	
GPM (LPM)	= RPM	PSI (kg/cm <sup>2</sup> )	= Lb•Ft (N•m)		
30 (114)	= 52	2000 (141)	= 3504 (4750)		
35 (132)	= 61	2500 (176)	= 4380 (5938)		
40 (151)	= 70	3000 (211)	= 5256 (7125)		
45 (170)	= 79				
50 (189)	= 87				
55 (208)	= 96				
60 (227)	= 105				

Output speed and torque specifications are based on theoretical values and are provided for comparative purposes only.

McMillen is continually striving to improve its products. Therefore, we reserve the right to make changes to our products or specifications at any time without notice or obligation.

M-134 5-7-08-3



# SPECIFICATIONS

## MODEL 975

Maximum Auger Diameter: 24"(610mm)  
 Minimum Hydraulic Flow: 6gpm(30lpm)  
 Maximum Hydraulic Flow: 15gpm(57lpm)  
 Maximum Continuous Operating PSI: 3000 psi (211 kg/cm<sup>2</sup>)  
 Maximum Back Pressure: 1500 psi (105 kg/cm<sup>2</sup>)  
 Output shaft Options: 2" (51mm) Round  
 2-9/16" (65mm) Round  
 2" (51mm)Hexagon

OUTPUT SPEED			OUTPUT TORQUE		
FLOW	SPEED	PRESSURE	TORQUE	TORQUE	
GPM (LPM)	= RPM	PSI (kg/cm <sup>2</sup> )	= Lb•Ft (N•m)		
6 (23)	= 36	2000 (141)	= 1000 (1356)		
8 (30)	= 47	2500 (176)	= 1277 (1731)		
10 (38)	= 60	3000 (211)	= 1500 (2034)		
12 (45)	= 71				
15 (57)	= 89				

## MODEL 1455 & 1475

Maximum Auger Diameter: 30"(762mm)  
 Minimum Hydraulic Flow: 10gpm(38lpm)  
 Maximum Hydraulic Flow: 25gpm(95lpm)  
 Maximum Continuous Operating PSI: 3000 psi (211 kg/cm<sup>2</sup>)  
 Maximum Back Pressure: 1500 psi (105 kg/cm<sup>2</sup>)  
 Output shaft Options: 2" (51mm) Round  
 2-9/16" (65mm) Round  
 2" (51mm)Hexagon

OUTPUT SPEED			OUTPUT TORQUE		
FLOW	SPEED	PRESSURE	TORQUE	TORQUE	
GPM (LPM)	= RPM	PSI (kg/cm <sup>2</sup> )	= Lb•Ft (N•m)		
10 (38)	= 38	2000 (141)	= 1600 (2169)		
12 (45)	= 45	2500 (176)	= 2000 (2712)		
14 (53)	= 53	3000 (211)	= 2377 (3223)		
16 (61)	= 60				
18 (68)	= 68				
20 (76)	= 75				
25 (95)	= 94				

## MODEL 1955 & 1975

Maximum Auger Diameter: 36"(914mm)  
 Minimum Hydraulic Flow: 15gpm(57lpm)  
 Maximum Hydraulic Flow: 30gpm(114lpm)  
 Maximum Continuous Operating PSI: 3000 psi (211 kg/cm<sup>2</sup>)  
 Maximum Back Pressure: 1500 psi (105 kg/cm<sup>2</sup>)  
 Output shaft Options: 2" (51mm) Round  
 2-9/16" (65mm) Round  
 2" (51mm)Hexagon

OUTPUT SPEED			OUTPUT TORQUE		
FLOW	SPEED	PRESSURE	TORQUE	TORQUE	
GPM (LPM)	= RPM	PSI (kg/cm <sup>2</sup> )	= Lb•Ft (N•m)		
15 (57)	= 49	2000 (141)	= 1856 (2516)		
18 (68)	= 58	2500 (176)	= 2328 (3156)		
20 (76)	= 65	3000 (211)	= 2769 (3755)		
22 (83)	= 71				
24 (91)	= 78				
26 (98)	= 84				
28 (106)	= 90				
30 (114)	= 97				

## MODEL 2475

Maximum Auger Diameter: 36"(914mm)  
 Minimum Hydraulic Flow: 20gpm(76lpm)  
 Maximum Hydraulic Flow: 35gpm(132lpm)  
 Maximum Continuous Operating PSI: 3000 psi (211 kg/cm<sup>2</sup>)  
 Maximum Back Pressure: 1500 psi (105 kg/cm<sup>2</sup>)  
 Output shaft Options: 2" (51mm) Round  
 2-9/16" (65mm) Round  
 2" (51mm)Hexagon

OUTPUT SPEED			OUTPUT TORQUE		
FLOW	SPEED	PRESSURE	TORQUE	TORQUE	
GPM (LPM)	= RPM	PSI (kg/cm <sup>2</sup> )	= Lb•Ft (N•m)		
20 (76)	= 52	2000 (141)	= 2308 (3129)		
22 (83)	= 57	2500 (176)	= 2895 (3925)		
24 (91)	= 63	3000 (211)	= 3451 (4686)		
26 (98)	= 68				
28 (106)	= 73				
30 (114)	= 78				
35 (132)	= 93				

## MODEL 3575

Maximum Auger Diameter: 48"(1219mm)  
 Minimum Hydraulic Flow: 24gpm(91lpm)  
 Maximum Hydraulic Flow: 30gpm(114lpm)  
 Maximum Continuous Operating PSI: 2500 psi (176 kg/cm<sup>2</sup>)  
 Maximum Working Back Pressure: 300 psi (21 kg/cm<sup>2</sup>)  
 Output shaft Options: 2" (51mm)Hexagon

OUTPUT SPEED			OUTPUT TORQUE		
FLOW	SPEED	PRESSURE	TORQUE	TORQUE	
GPM (LPM)	= RPM	PSI (kg/cm <sup>2</sup> )	= Lb•Ft (N•m)		
24 (91)	= 45	1500 (105)	= 2472 (3352)		
27 (102)	= 50	2000 (141)	= 3296 (4469)		
30 (114)	= 56	2500 (176)	= 4120 (5586)		

Output speed and torque specifications are based on theoretical values and are provided for comparative purposes only.

McMillen is continually striving to improve its products. Therefore, we reserve the right to make changes to our products or specifications at any time without notice or obligation.

**THIS PAGE  
IS INTENTIONALLY  
BLANK**

# Limited Warranty

Except for the Excluded Products as described below, all new products are warranted to be free from defects in material and/or workmanship during the Warranty Period, in accordance with and subject to the terms and conditions of this Limited Warranty.

1. Excluded Products. The following products are excluded from this Limited Warranty:

(a) Any cable, part that engages with the ground (i.e. sprockets), digging chain, bearing, teeth, tamping and/or demolition head, blade cutting edge, pilot bit, auger teeth and broom brush that either constitutes or is part of a product.

(b) Any product, merchandise or component that, in the opinion of Paladin Light Construction<sup>1</sup>, has been (i) misused; (ii) modified in any unauthorized manner; (iii) altered; (iv) damaged; (v) involved in an accident; or (vi) repaired using parts not obtained through Paladin Light Construction.

2. Warranty Period. The Limited Warranty is provided only to those defects that occur during the Warranty Period, which is the period that begins on the first to occur of: (i) the date of initial purchase by an end-user, (ii) the date the product is first leased or rented, or (iii) the date that is six (6) months after the date of shipment by Paladin Light Construction as evidenced by the invoiced shipment date (the "Commencement Date") and ends on the date that is twenty-four (24) months after the Commencement Date. **(NOTE: The Planetary Gearbox ONLY carries an additional 3 years warranty.)**

3. Terms and Conditions of Limited Warranty. The following terms and conditions apply to the Limited Warranty hereby provided:

(a) Option to Repair or Replace. Paladin Light Construction shall have the option to repair or replace the product.

(b) Timely Repair and Notice. In order to obtain the Limited Warranty, (i) the product must be repaired within thirty (30) days from the date of failure, and (ii) a claim under the warranty must be submitted to Paladin Light Construction in writing within thirty (30) days from the date of repair.

(c) Return of Defective Part or Product. If requested by Paladin Light Construction, the alleged defective part or product shall be shipped to Paladin Light Construction at its manufacturing facility or other location specified by Paladin Light Construction, with freight PRE-PAID by the claimant, to allow Paladin Light Construction to inspect the part or product.

Claims that fail to comply with any of the above terms and conditions shall be denied.

## LIMITATIONS AND EXCLUSIONS.

**THIS LIMITED WARRANTY IS IN LIEU OF ALL OTHER WARRANTIES, EXPRESS OR IMPLIED, INCLUDING WITHOUT LIMITATION THE WARRANTIES OF MERCHANTABILITY, FITNESS FOR A PARTICULAR PURPOSE AND ANY WARRANTY BASED ON A COURSE OF DEALING OR USAGE OF TRADE.**

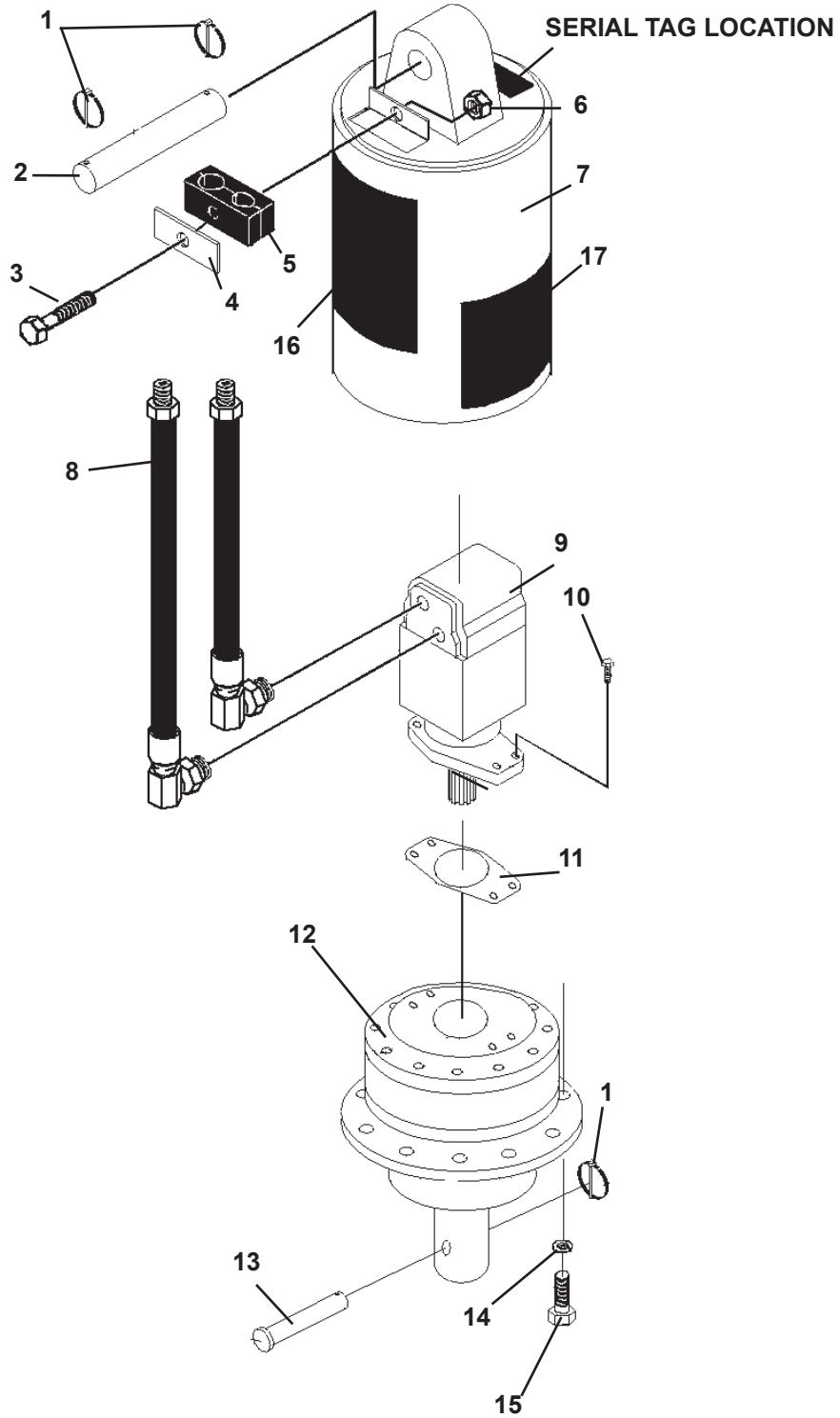
**IN NO EVENT SHALL PALADIN LIGHT CONSTRUCTION BE LIABLE FOR CONSEQUENTIAL OR SPECIAL DAMAGES.**

**IN NO EVENT SHALL PALADIN LIGHT CONSTRUCTION BE LIABLE FOR ANY LOSS OR CLAIM IN AN AMOUNT IN EXCESS OF THE PURCHASE PRICE, OR, AT THE OPTION OF PALADIN LIGHT CONSTRUCTION, THE REPAIR OR REPLACEMENT, OF THE PARTICULAR PRODUCT ON WHICH ANY CLAIM OF LOSS OR DAMAGE IS BASED. THIS LIMITATION OF LIABILITY APPLIES IRRESPECTIVE OF WHETHER THE CLAIM IS BASED ON BREACH OF CONTRACT, BREACH OF WARRANTY, NEGLIGENCE OR OTHER CAUSE AND WHETHER THE ALLEGED DEFECT IS DISCOVERABLE OR LATENT.**

<sup>1</sup>Attachment Technologies Inc., a subsidiary of Paladin Brands Holding, Inc. (PBHI) is referred to herein as Paladin Light Construction.

# X75 SERIES AUGER DRIVE ASSEMBLIES

X975 / X1475 / X1975 / X2475 HYDRAULIC DRIVE UNITS



# X75 SERIES AUGER DRIVE ASSEMBLIES

X975 / X1475 / X1975 / X2475 HYDRAULIC DRIVE UNITS

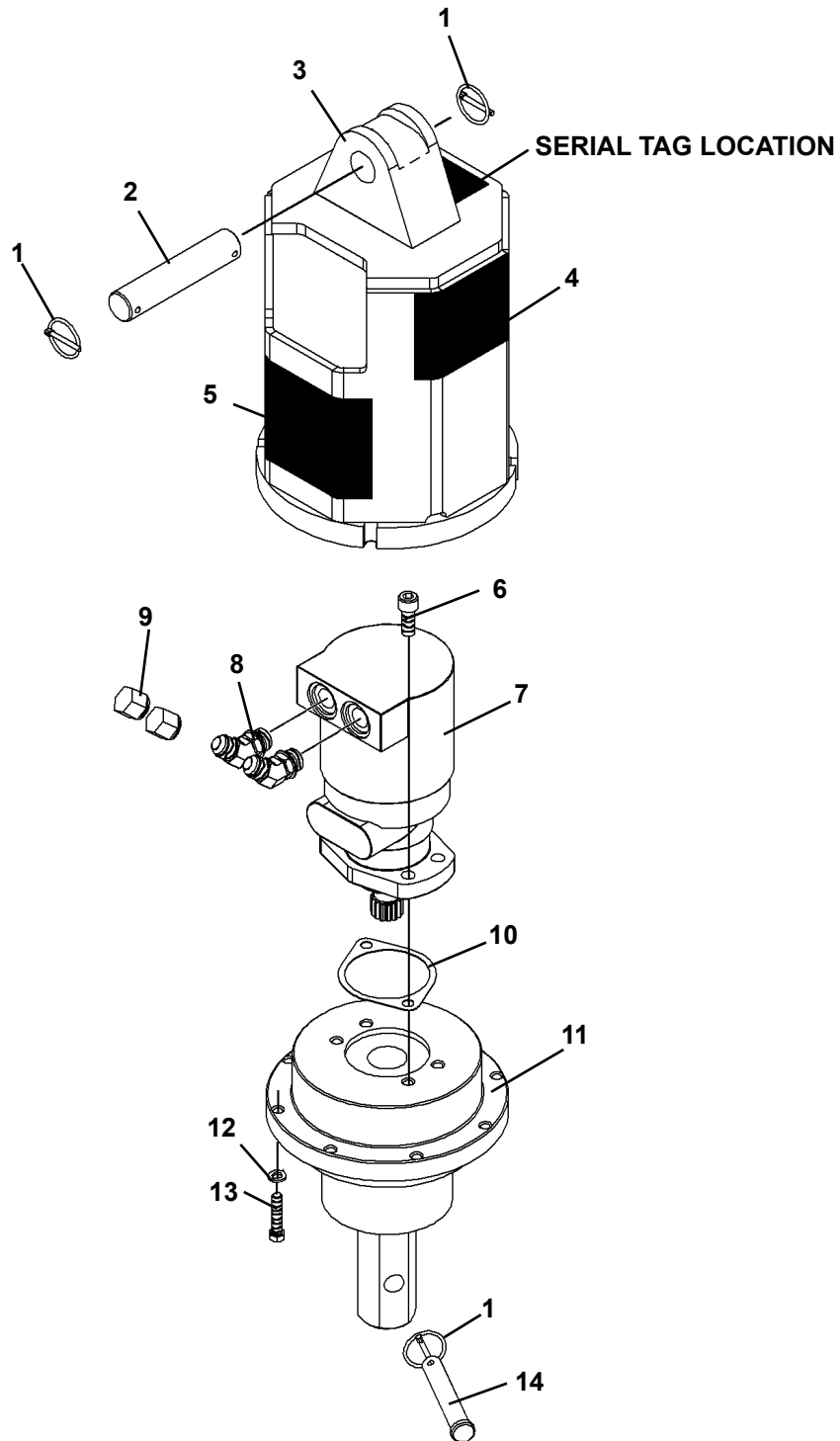
<u>ITEM</u>	<u>REQ'D</u>	<u>PART NO.</u>	<u>DESCRIPTION</u>
1	3	21169	Lynch Pin
2	1	22256	Pivot Pin 1.25" X 6.00"
3	1	1030	.31" UNC X 3.00" Hex Capscrew
4	1	22315	Hose Clamp Plate
5	1	22316	Hose Clamp Cushion
6	1	1753	.31" UNC Nylock Nut
7	1	23533	Planetary / Motor Housing
8	2	37968	Hose
9	1	89663	X975 Hydraulic Motor
		89319	X1475 Hydraulic Motor
		85726	X1975 Hydraulic Motor (Bottom Ports)
		21952	X1975 Hydraulic Motor (Top Ports - Shown)
		89664	X2475 Hydraulic Motor
		46282*	Replacement Seal Kit
		21777*	Replacement Seal Kit (Used on 21952 Motor ONLY)
10	4	1907	.50" UNC X 1.25" Sockethead Capscrew
11	1	22532	Motor Gasket
12	1	23525	2" Round Planetary - Digga #33510 (Replacement output shaft seal.)
		23526	2" Hex Planetary - Digga (Up to SN #322509) #33510 (Replacement output shaft seal.)
		117576	2" Hex Planetary - Auburn (SN #322510 and UP) #117933 (Replacement output shaft seal - SN #322510 up to #371392) #45695 (Replacement output shaft seal SN #371393 and UP)
		23527	2.56" Round Planetary - Digga (UP to SN #329302) #33510 (Replacement output shaft seal.)
		117577	2.56" Round Planetary - Auburn (SN #329303 and UP) #45695 (Replacement output shaft seal SN #329303 and UP)
13	1	22261	Pin .62" X 4.00" (2" Round)
		22262	Pin .88" X 4.50" (2.56" Round)
		22263	Pin .75" X 4.50" (2" Hex)
14	8	1503	.38" Lock Washer
15	8	1046	.38" X 1.75" Hex Capscrew
16	1	40552	X975 Model Number Decal
		40549	X1475 Model Number Decal
		40550	X1975 Model Number Decal
		40551	X2475 Model Number Decal
17	2	22680	Danger Decal

**\* FIELD REPLACEMENT OF INTERNAL MOTOR OR PLANETARY SEALS VOIDS WARRANTY.**

M2201 7-14-14-6

# X3575 AUGER DRIVE ASSEMBLY

2" HEX ASSEMBLY #24990 / 2.56" ROUND ASSEMBLY #120200

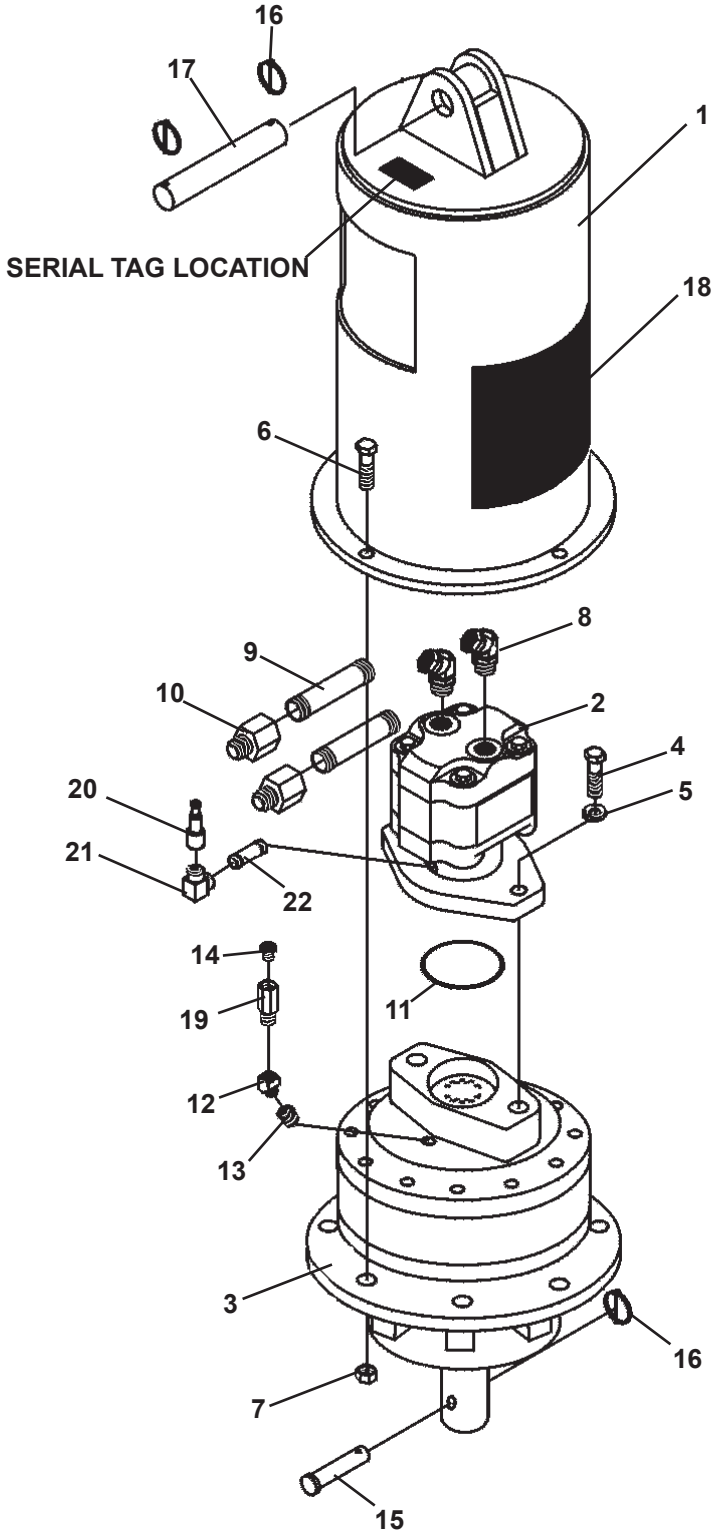


## X3575 AUGER DRIVE ASSEMBLY

2" HEX ASSEMBLY #24990 / 2.56" ROUND ASSEMBLY #120200

<u>ITEM</u>	<u>REQ'D</u>	<u>PART NO.</u>	<u>DESCRIPTION</u>
1	3	21169	Klik Pin
2	1	22256	Pivot Pin
3	1	112547	Planetary Housing
4	2	40582	Danger Decal - Small
5	1	41070	Model Number Decal
6	4	1907	.50" UNC X 1.25" Sockethead Capscrew
7	1	112522	Hydraulic Motor
8	2	22593	45° Elbow, 10MBo-10MJ
9	2	3271	Cap
10	1	22532	Gasket
11	1	23526	2" Hex Planetary - Digga (Up to SN #322509) (Replacement output shaft seal #33510)
		117576	2" Hex Planetary - Auburn (SN #322510 and UP) #117933 (Replacement output shaft seal SN #322510 up to #371392) #45695 (Replacement output shaft seal SN #371393 and UP)
		117577	2.56" Round Planetary - Auburn #45695 (Replacement output shaft seal)
12	8	1503	.38" Lock Washer
13	8	1046	.38" UNC X 1.75" Hex Capscrew
14	1	22263	Pivot Pin (2" Hex)
	1	22262	Pivot Pin (2.56" Round)

# X3450 & X4450 AUGER DRIVE ASSEMBLIES





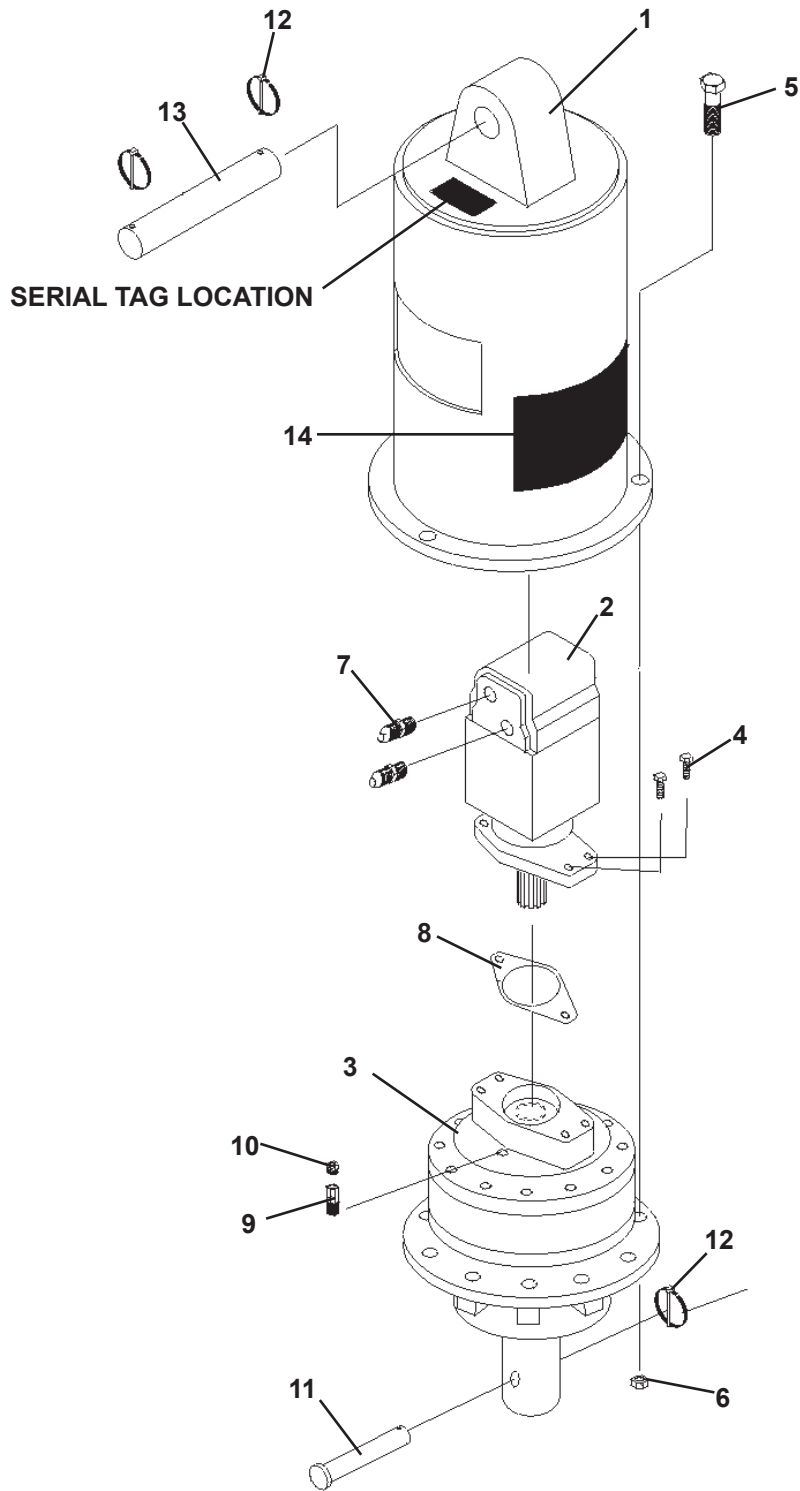
## X3450 & X4450 AUGER DRIVE ASSEMBLIES

<u>ITEM</u>	<u>REQ'D</u>	<u>PART NO.</u>	<u>DESCRIPTION</u>
1	1	21650	Planetary / Motor Housing
2	1	21954	X3450 Hydraulic Motor
	1	21955	X4450 Hydraulic Motor
	-	21831	Replacement Seal Kit
3	1	22498	2" Hex Planetary
	-	22445	Replacement Seal Kit
4	2	1895	.62" UNC X 2.00" Hex Capscrew
5	2	1506	.62" Lock Washer
6	4	22344	.56" UNC X 2.00" Hex Capscrew
7	4	22351	.56" UNC Lock Nut
8	2	22601	90° Elbow 12MBo-12FP
9	2	3210	Nipple 12MP X 6.00"
10	2	22586	Straight Connector 12MJ-12FP
11	1	22609	O'Ring
12	1	3393	45° Elbow 4MP-4FP
13	1	22610	Straight Connector 8MP-4FP
14	1	22588	Breather Vent
15	1	22263	Clevis Pin
16	3	21169	Lynch Pin
17	1	22256	Pivot Pin
18	2	22680	Danger Decal
19	1	22589	Check Valve
20	1	22561	Male Quick Coupler
21	1	3057	90° Elbow 4FP-4FP
22	1	22562	Nipple 4MP

**\* FIELD REPLACEMENT OF INTERNAL MOTOR OR PLANETARY SEALS VOIDS WARRANTY.**

# X1455 & X1955 AUGER DRIVE ASSEMBLIES

## SERVICE PARTS



## X1455 & X1955 AUGER DRIVE ASSEMBLIES

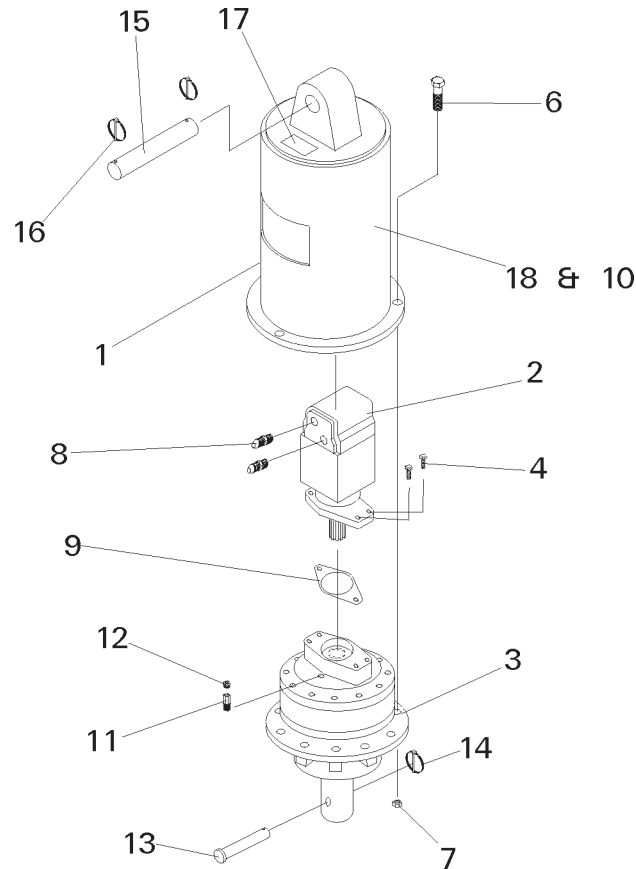
### SERVICE PARTS

<u>ITEM</u>	<u>REQ'D</u>	<u>PART NO.</u>	<u>DESCRIPTION</u>
1	1	21644	Planetary / Motor Housing
2	1	89319	X1455 Hydraulic Motor
	1	85726	X1955 Hydraulic Motor
	-	46282	Replacement Seal Kit
3	1	23276	2" Hex Planetary - Omni
	-	23792	Replacement Seal Kit
4	4	22336	.50" UNC X 1.50" Hex Capscrew
5	3	22344	.50" UNC X 2.00" Hex Capscrew
6	3	22351	.56" UNC Lock Nut
7	2	22593	45° Elbow 10MBo-10MJ
8	1	22532	Motor Gasket
9	1	22533	Check Valve
10	1	22588	Breather Vent
11	1	22263	Clevis Pin
12	3	21169	Lynch Pin
13	1	22256	Pivot Pin
14	2	22680	Danger Decal

**\* FIELD REPLACEMENT OF INTERNAL MOTOR OR PLANETARY SEALS VOIDS WARRANTY.**

# 950, 1450, 1950, & 2450 AUGER DRIVE ASSEMBLIES

## SERVICE PARTS

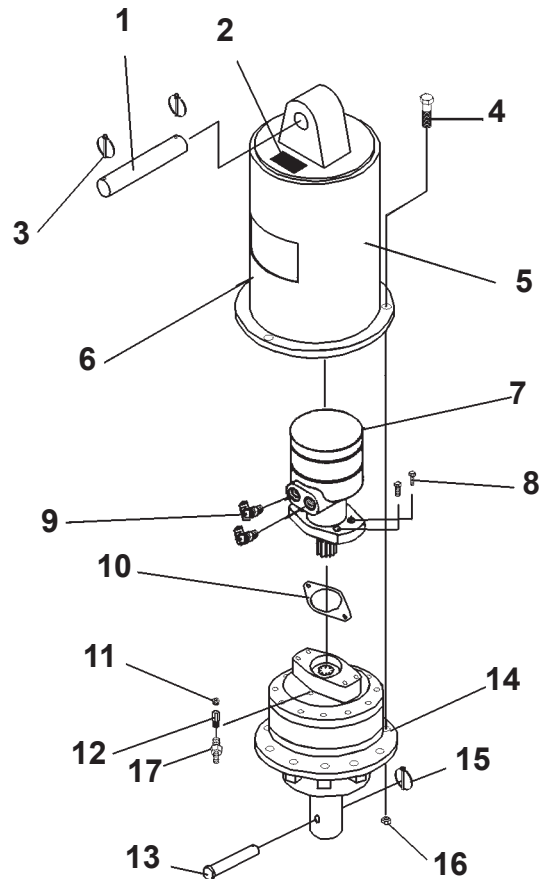


<u>REF. #</u>	<u>QTY</u>	<u>PART #</u>	<u>DESCRIPTION</u>
1	1	21645	Motor Housing & Pendant Weldment
2	1	21950	Hydraulic Motor 950
	1	21956	Hydraulic Motor 1450
	1	21952	Hydraulic Motor 1950
	1	21953	Hydraulic Motor 2450
	-	21777	Replacement Seal Kit
3	1	22495	Planetary Gear Reduction-2" Round
	1	22496	Planetary Gear Reduction-2" Hex
	1	22497	Planetary Gear Reduction-2 9/16" Round
	-	45695	Replacement Seal (Auburn)
4	4	22336	.50"-13 x 1.50" Long HHCS
6	3	22344	.56"-12 x 2.00" Long HHCS, Gr. 5
7	3	22351	.56"-12 "Uni-Torque" Lock Nut
8	2	22593	45° Motor Fitting
9	1	22532	Motor Gasket
10	2	22654	Extreme Duty McMillen Decal
11	1	22533	Check Valve, .25" NPT Male to .25" NPT Female
12	1	22588	.25" NPT Flush Head Breather Vent
13	1	22261	Clevis Pin, .62" x 4" (2" Round)
		22262	Clevis Pin, .88" x 4.50" (2-9/16" Round)
		22263	Clevis Pin, .75" x 4.50" (2" Hex)
14	1	21169	Lynch Pin (2" Rnd., 2-9/16" Rnd., 2" Hex)
15	1	22256	Pin, 1.25" x 6" Long
16	2	21169	Lynch Pins
17	1	22677	Model # / Serial # ID Plate
18	2	22680	Safety Decal

M-132 6-9-10-4

# 1200, 1600 & 2200 AUGER DRIVE ASSEMBLIES

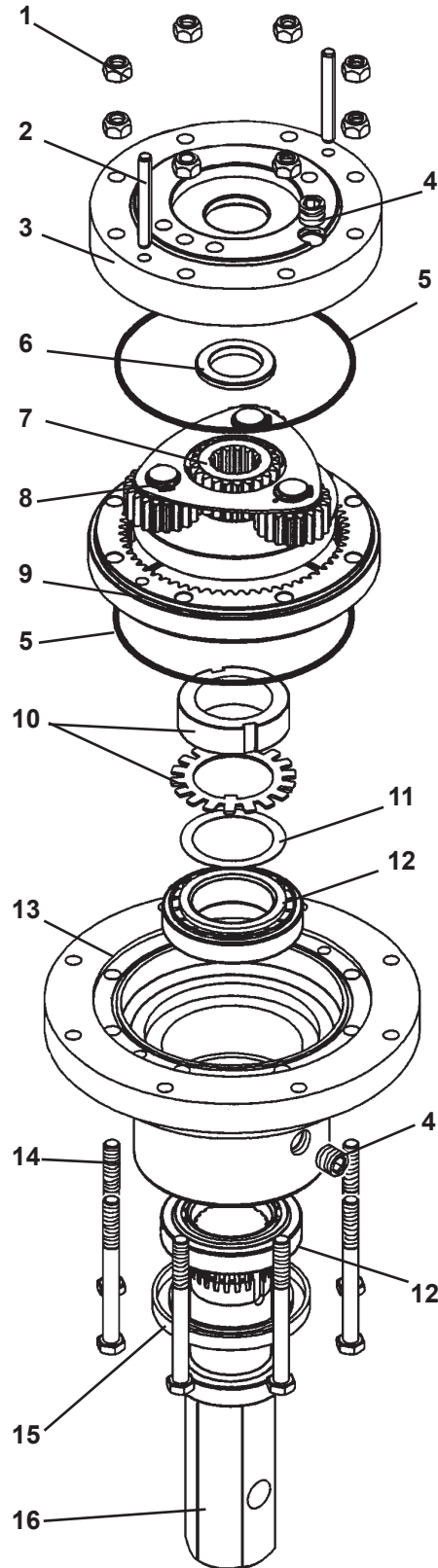
## SERVICE PARTS



<u>REF. #</u>	<u>PART #</u>	<u>QTY</u>	<u>DESCRIPTION</u>
1	22256	1	Pin, 1.25" x 6" Long
2	22677	1	Model # / Serial # ID Plate
3	21169	2	Lynch Pins
4	22344	3	.56"-12 x 2.00" Long HHCS, Gr. 5
5	22680	2	Safety Decal
5	22654	2	Extreme Duty McMillen Decal
6	21644	1	Motor Housing & Pendant Weldment
7	85725	1	Hydraulic Motor 1200
	89319	1	Hydraulic Motor 1600
	89664	1	Hydraulic Motor 2200
	46282	~	Replacement Motor Seal Kit
8	1907	4	.50" x 1.25" SHC Capscrew
9	22593	2	45° Motor Fitting
10	45412	1	Motor Gasket
11	22588	1	.25" NPT Flush Head Breather Vent
12	22533	1	Check Valve, .25" NPT Male to .25" NPT Female
13	22261	1	Clevis Pin, .62" x 4" (2" Round)
	22262		Clevis Pin, .88" x 4.50" (2-9/16" Round)
	22263		Clevis Pin, .75" x 4.50" (2" Hex)
14	23274	1	Planetary Gear Reduction-2" Round
	23276	1	Planetary Gear Reduction-2" Hex
	23275	1	Planetary Gear Reduction-2 9/16" Round
15	21169	1	Lynch Pin (2" Rnd., 2-9/16" Rnd., 2" Hex)
16	22351	3	.56"-12 "Uni-Torque" Lock Nut
17	3089	1	Straight Adapter 6MP-4FP

# PLANETARY ASSEMBLY - DIGGA

PLANETARY ASSEMBLY FOR X975, X1475, X1975, X2475 & X3575 AUGER DRIVES  
ASSEMBLIES #23525, #23526 & #23527



## PLANETARY ASSEMBLY - DIGGA

PLANETARY ASSEMBLY FOR X975, X1475, X1975, X2475 & X3575 AUGER DRIVES  
ASSEMBLIES #23525, #23526 & #23527

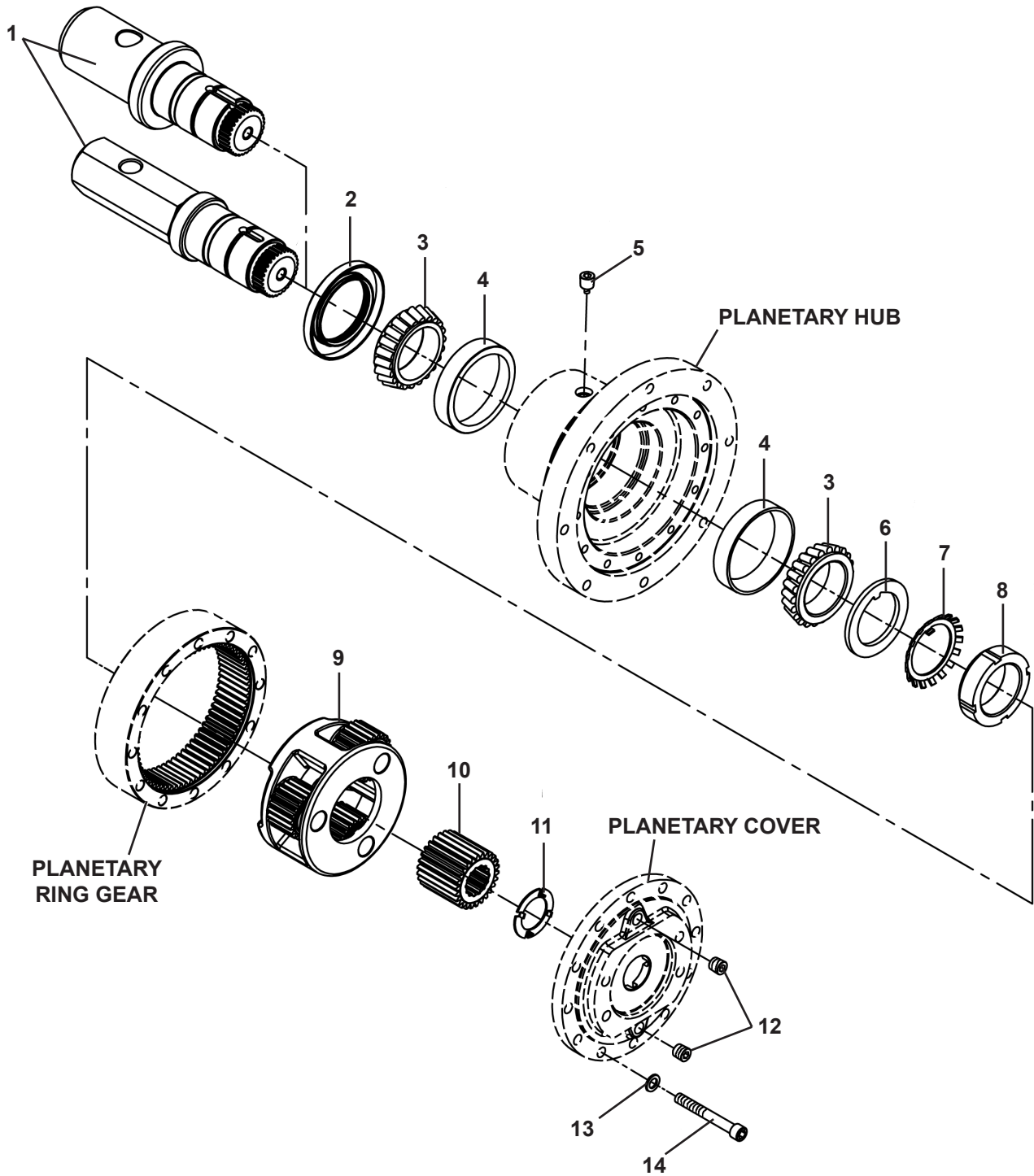
<u>ITEM</u>	<u>REQ'D</u>	<u>PART NO.</u>	<u>DESCRIPTION</u>
1	8	31685	M10 Nylock Nut
2	2	112355	Spring Pin
3	1	31672	Input Housing
4	2	15074	Plug
5	2	45951	O-Ring
6	1	31673	Thrust Washer
7	1	15336	Sun Gear
8	1	15335	Gearset
9	1	31675	Ring Gear
10	1	101526	Lock Nut with Locking Tab
11	1	10171	Thrust Washer
12	2	31681	Tapered Roller Bearing / Race
13	1	15075	Output Housing
14	8	31671	M10 X 110mm Hex Capscrew - G8.8
15	1	33510	Seal
16	1	15072	2" Hex Shaft (Units up to SN #322509)
	1	15070	2.00" Round Shaft - 23 Spline
	1	15071	2.56" Round Shaft - 23 Spline (Units up to SN #329302)

**WARRANTY NOTICE:  
ANY ATTEMPT TO DISASSEMBLE OR  
MAKE FIELD REPAIRS TO THE  
PLANETARY WILL VOID WARRANTY.  
CONTACT YOUR DEALER/DISTRIBUTOR.**

M-2207 3-25-13-2

# PLANETARY ASSEMBLY - AUBURN

PLANETARY ASSEMBLY FOR X975, X1475, X1975, X2475 & X3575 AUGER DRIVES  
ASSEMBLIES #117576 & #117577





## PLANETARY ASSEMBLY - AUBURN

PLANETARY ASSEMBLY FOR X975, X1475, X1975, X2475 & X3575 AUGER DRIVES  
ASSEMBLIES #117576 & #117577

<u>ITEM</u>	<u>REQ'D</u>	<u>PART NO.</u>	<u>DESCRIPTION</u>
1	1	117932	2.56" Round Shaft - (SN #329303 and UP)
	1	119516	2" Hex Shaft (SN #371393 and UP)
	1	117931	2" Hex Shaft (SN #322510 UP to SN #371392)
2	1	45695	Oil Seal (2.56" Round SN #329303 and UP and 2" Hex SN #371393 and UP)
	1	117933	Oil Seal (2" Hex SN #322510 UP to SN #371392)
3	2	117935	Bearing Cone
4	2	117936	Bearing Cup
5	1	22441	Magnetic Pipe Plug
6	1	117937	Thrust Washer
7	1	117938	Lock Washer
8	1	117951	Bearing Nut
9	1	117952	Carrier
10	1	117953	Sun Gear
11	1	22439	Thrust Washer
12	2	117954	Pipe Plug
13	12	22432	Flat Washer
14	12	10258	.38" UNC X 3.00" Sockethead Capscrew - Grade 8

**WARRANTY NOTICE:  
ANY ATTEMPT TO DISASSEMBLE OR  
MAKE FIELD REPAIRS TO THE  
PLANETARY WILL VOID WARRANTY.  
CONTACT YOUR DEALER/DISTRIBUTOR.**

M-2209 12-29-14-5