



**FREEZER/CONGELADOR  
INSTRUCTION MANUAL/MANUAL DE INSTRUCCIONES**

Model Number/Número de Modelo: VM319M



**BEFORE USE, PLEASE READ AND FOLLOW ALL SAFETY RULES AND OPERATING INSTRUCTIONS.**

La sección en español empieza en la página 14

Avanti has a policy of continuous improvement on its products and reserves the right to change materials and specifications without notice.

---

**Avanti Products, A Division of The Mackle Co., Inc.  
P.O. Box 520604- Miami, Florida 33152  
[www.avantiproducts.com](http://www.avantiproducts.com)**

---

## Warranty Information

Thank you for purchasing this fine Avanti product. Please fill out this card and return it within 100 days of purchase and receive these important benefits:

✂ **Protect your product:**

We will keep the model number and date of purchase of your new Avanti product on file to help you refer to this information in the event of an insurance claim such as fire or theft.

✂ **Promote better products:**

We value your input. Your responses will help us develop products designed to best meet your future needs.

----- (detach here) -----

### Avanti Registration Card

\_\_\_\_\_  
Name

\_\_\_\_\_  
Model #                      Serial #

\_\_\_\_\_  
Address

\_\_\_\_\_  
Date Purchased              Store/Dealer Name

\_\_\_\_\_  
City                      State                      Zip

\_\_\_\_\_  
Occupation

\_\_\_\_\_  
Area Code              Phone Number

**As Your Primary Residence, Do You:**

Own                       Rent

**Did You Purchase An Additional Warranty:**

Extended               Food Loss               None

**Reason For Choosing This Avanti Product:**

Please indicate the most important factors that influenced your decision to purchase this product.

- Price
- Product Features
- Avanti Reputation
- Product Quality
- Salesperson Recommendation
- Other \_\_\_\_\_
- Friend/Relative Recommendation
- Warranty
- Other \_\_\_\_\_

**Your Age:**

under 18     18-25     26-30  
 31-35     36-50     over 50

**Marital Status:**

Married                       Single

**Is This Product Used In The:**

Home                       Business

**How Did You Learn About This Product:**

Advertising                       Product Features  
 In Store Demo                       Personal Demo

\_\_\_\_\_  
Comments

\_\_\_\_\_  
\_\_\_\_\_

---

**HELP US HELP YOU...**

**Read this guide carefully.**

It is intended to help you operate and maintain your new freezer properly.

Keep it handy to answer your questions. If you don't understand something or you need more help, please call:

**Avanti Customer Service  
800-220-5570**

Keep proof of original purchase date (such as your sales slip) with this guide to establish the warranty period.

**CAUTION:**

**THIS FREEZER IS NOT  
DESIGNED FOR THE STORAGE  
OF MEDICINE OR OTHER  
MEDICAL PRODUCTS.**

**Write down the model and serial numbers.**

You'll find them on a plate located on the rear wall of the freezer.

Please write these numbers here:

\_\_\_\_\_

Date of Purchase

\_\_\_\_\_

Model Number

\_\_\_\_\_

Serial Number

Use these numbers in any correspondence or service calls concerning your freezer.

If you received a damaged freezer, immediately contact the dealer (or builder) that sold you the freezer.

Save time and money. Before you call for service, check the Troubleshooting Guide. It lists causes of minor operating problems that you can correct yourself.

---

**IF YOU NEED SERVICE**

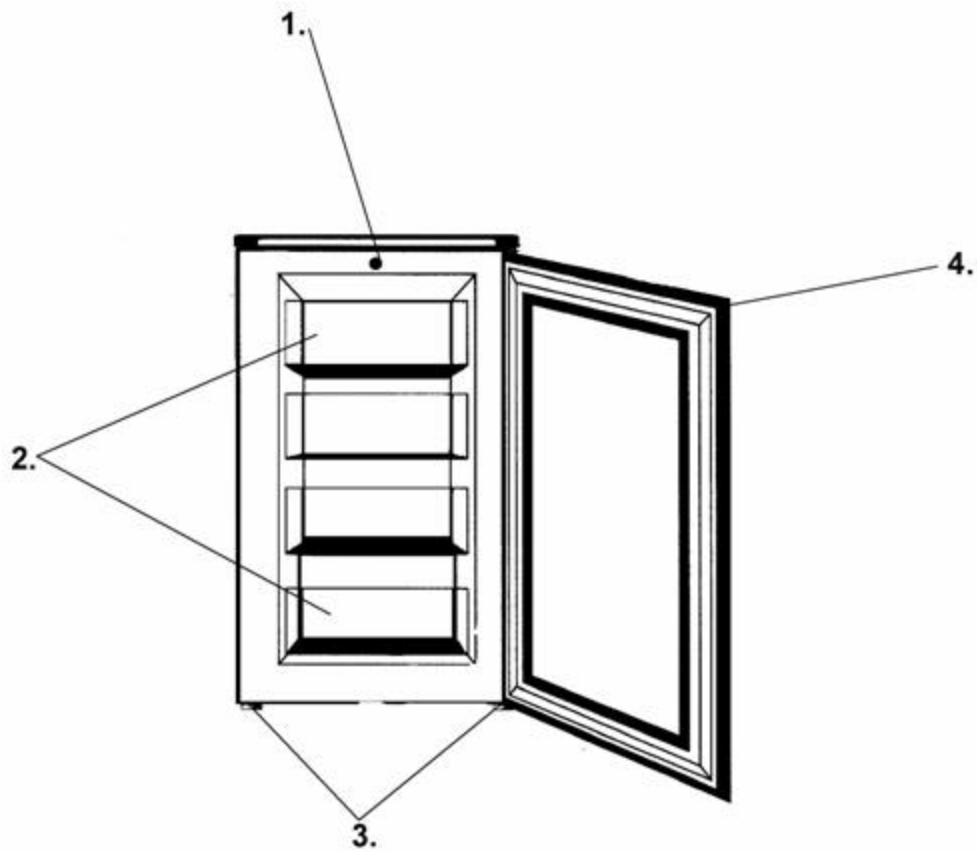
We're proud of our service and want you to be pleased. If for some reason you are not happy with the service you receive, here are some steps to follow for further help.

FIRST, contact the people who serviced your freezer. Explain why you are not pleased. In most cases, this will solve the problem.

NEXT, if you are still not pleased, write all the details, including your telephone number, and send it to:

**Customer Service  
Avanti Products  
10880 NW 30<sup>th</sup> Street  
Miami, FL 33172**

## PARTS AND FEATURES





1. ADJUSTABLE THERMOSTAT
2. REMOVABLE DRAWERS
3. LEVELING LEGS
4. REVERSIBLE DOOR
5. SECURITY LOCK

## Table of Contents

Warranty Information and Registration Card	2
Help Us Help You	3
Parts and Features	4
Important Safety Instructions	6
Installation Instructions	6
Before Using Your Freezer	6
Installation of Your Freezer	6
Electrical Connection	7
Reversing the Door Swing of Your Freezer	7
Operating Your Freezer	7
Temperature Control	7
Defrosting Your Freezer	7
The Freezer Compartment	8
Care and Maintenance	8
Cleaning Your Freezer	8
Vacation Time	9
Moving Your Freezer	9
Energy Saving Tips	9
Troubleshooting Guide	10
Service For Your Freezer	11
Your Avanti Products Warranty	12
Wiring Diagram	13
Spanish Section	14

## Important Safety Instructions

 <b>WARNING</b> 	To reduce the risk of fire, electrical shock, or injury when using your freezer, follow these basic precautions:
<ul style="list-style-type: none"><li>? Read all instructions before using the freezer.</li><li>? <b>DANGER or WARNING:</b> Risk of child entrapment.</li><li>? Child entrapment and suffocation are not problems of the past. Junked or abandoned freezers are still dangerous. . . even if they will “just sit in the garage a few days.”</li><li>? <b>Before you throw away your old refrigerator or freezer:</b> Take off the doors. Leave the shelves in place so that children may not easily climb inside.</li><li>? Never allow children to operate, play with, or crawl inside the freezer.</li><li>? Never clean freezer parts with flammable fluids. The fumes can create a fire hazard or explosion.</li><li>? Do not store or use gasoline or any other flammable vapors and liquids in the vicinity of this or any other freezer. The fumes can create a fire hazard or explosion.</li></ul> <p style="text-align: center;">-Save these instructions-</p>	

### INSTALLATION INSTRUCTIONS

#### **Before Using Your Freezer**

- ? Remove the exterior and interior packing.
- ? Check to be sure you have all of the following parts:
  - 4 Baskets
  - 1 Thermostat key
  - 1 Plastic Scrapper
  - 1 Instruction Manual
- ? Before connecting the freezer to the power source, let it stand upright for approximately 2 hours. This will reduce the possibility of a malfunction in the cooling system from handling during transportation.
- ? Clean the interior surface with lukewarm water using a soft cloth.

#### **Installation of Your Freezer**

- ? Place your freezer on a floor that is strong enough to support the freezer when it is fully loaded. To level your freezer, adjust the legs at the front of the freezer.
- ? Allow 5 inches of space between the back and sides of the freezer, which allows the proper air circulation to cool the compressor.
- ? Locate the freezer away from direct sunlight and sources of heat (stove, heater, radiator, etc.). Direct sunlight may affect the acrylic coating and heat sources may increase electrical consumption. Extreme cold ambient temperatures may also cause the freezer not to perform properly.
- ? Avoid locating the freezer in moist areas. Too much moisture in the air will cause frost to form quickly on the evaporator requiring more frequent defrosting of the freezer.
- ? Plug the freezer into an exclusive properly installed-grounded wall outlet. Do not under any circumstances cut or remove the third (ground) prong from the power cord. Any questions concerning power and or grounding should be directed toward a certified electrician or an authorized Avanti Products service center.

## **Electrical Connection**

### **Warning**

Improper use of the grounded plug can result in the risk of electrical shock. If the power cord is damaged, have it replaced by an authorized Avanti Products service center.

- ? This freezer should be properly grounded for your safety. The power cord of this freezer is equipped with a three-prong plug which mates with standard three prong wall outlets to minimize the possibility of electrical shock.
- ? Do not under any circumstances cut or remove the third ground prong from the power cord supplied.
- ? Never use an extension cord to connect power to the unit.
- ? Never use a two-prong grounding adapter.
- ? Where a two-prong wall receptacle is encountered, contact a qualified electrician to have it replaced with a 3-prong receptacle in accordance with applicable electrical codes.
- ? This freezer requires a standard 115/120 volts a.c./60hz electrical outlet with three-prong ground.
- ? The cord should be secured behind the freezer and not left exposed or dangling to prevent accidental injury.

## **Door Lock**

Your unit is provided with a lock and key combination.

The keys are located inside the plastic bag that contains the User's Guide. Insert the key into the lock and turn it counterclockwise to unlock the door. To lock the door do the reverse operation making sure metal pin is engaged completely. Remove the key and place it in a secure place for safekeeping.

## **Reversing the Door Swing of Your Appliance**



This appliance has the capability of either opening the door from the left or right side. The unit is delivered to you with the door opening from the left side. Should you desire to reverse the opening direction, please call customer service for reversal instructions.

## **OPERATING YOUR FREEZER**

### **Temperature Control**

- ? The temperature control is located underneath the countertop on the front side of the cabinet.
- ? The first time you turn the unit on set the temperature control to the maximum position, using the thermostat key provided. (If the key is misplaced you may also use a coin or flathead screwdriver.)
- ? The range of the temperature control is from position "1" the warmest to "6" the coldest. After 24 to 48 hours, adjust the temperature control to the setting that best suits your needs. The setting of "3" should be correct for home or office freezer use.
- ? To turn the freezer off, turn the temperature control to "OFF"

#### **NOTE:**

-  Turning the temperature control to "OFF" position stops the cooling cycle but does not shut off the power to the freezer.
-  If the unit is unplugged, power lost, or turned off; you must wait 3 to 5 minutes before restarting the unit. If you attempt to restart before this time delay, the freezer will not start.

### **Defrosting Your Freezer**

- ? **When?** For the most efficient operation and minimum energy consumption, defrost the freezer compartment when the frost on the freezer walls is excessive or ¼ inch thick.
- ? **How?** To start defrosting, turn the temperature control to "OFF", unplug the freezer, remove the food and baskets. After the frost or ice has melted, discard the melted water and dry up the interior of refrigerator. Then the freezer can be restarted by a turning its thermostat to the desired setting.

### **CAUTION**

**Do not use boiling water because it may damage the plastic parts. In addition, never use a sharp or metallic instrument to remove frost as it may damage the cooling coils and will void the warranty. We recommend using a plastic scraper.**

- ? Use a sponge or towel to pick up the melting ice off the freezer floor.
- ? Remove the frozen food from the freezer and place it in a cooler to protect the food.

### **The Freezer Compartment**

- ? This compartment is designed for the long term storage of frozen food.
- ? The storage life of frozen foods varies and the recommended storage time should not be exceeded. The instructions regarding the care of frozen foods should be followed when defrosting the freezer.
- ? Pre-packed commercially frozen food should be stored in accordance with the frozen foods manufacturer's instructions for a three star frozen food storage compartment or home freezer.
- ? Place frozen food into the freezer as quickly as possible after purchase. If there are instructions on the packet, carefully follow these instructions regarding storage times.
- ? The freezer door is susceptible to breaking due to excessive ice build up. Be sure to defrost when the ice reaches ¼ inch thick.

## **CARE AND MAINTENANCE**

### **Cleaning Your Freezer**

- ? Turn the temperature control to "OFF", unplug the freezer, and remove the food, and baskets.
- ? Wash the inside with a warm water and baking soda solution. The solution should be about 2 tablespoons of baking soda to a quart of water.
- ? Wash the baskets with a mild detergent solution.
- ? The outside of the freezer should be cleaned with mild detergent and warm water.

### **CAUTION**

**Failure to unplug the freezer could result in electrical shock or personal injury.**

- ? Power Failure  
Most power failures are corrected within a few hours and should not affect the temperature of your freezer if you minimize the number of times the door is opened. If the power is going to be off for a longer period of time, you need to take the proper steps to protect your food.



✂ **Vacation Time**

During long absences, remove all the food; unplug your freezer, clean your freezer, and leave the door open slightly to avoid possible formation of condensation, mold, or odors.

✂ **Moving Your Freezer**

- ? Remove all the food.
- ? Securely tape down all loose items inside your freezer.
- ? Turn the leveling screws up to the base to avoid damage.
- ? Tape the door shut.
- ? Be sure the freezer stays in the upright position during transportation.

✂ **Energy Saving Tips**

- ? The freezer should be located in the coolest area of the room, away from heat producing appliances or heating ducts, and out of the direct sunlight.
- ? Let hot foods cool to room temperature before placing in the freezer. Overloading the freezer forces the compressor to run longer. Foods that freeze too slowly may lose quality, or spoil.
- ? Be sure to wrap foods properly, and wipe containers dry before placing them in the freezer. This cuts down on frost build-up inside the freezer.
- ? Freezer storage baskets should not be lined with aluminum foil, wax paper, or paper toweling. Liners interfere with cold air circulation, making the freezer less efficient.
- ? Organize and label food to reduce door openings and extended searches. Remove as many items as needed at one time, and close the door as soon as possible.

## PROBLEMS WITH YOUR FREEZER?

You can solve many common freezer problems easily, saving you the cost of a possible service call. Try the suggestions below to see if you can solve the problem before calling the servicer.

### TROUBLESHOOTING GUIDE

PROBLEM	POSSIBLE CAUSE
Freezer does not operate.	Not plugged in. The circuit breaker tripped or blown fuse. The freezer temperature control is set at "OFF".
Compressor turns on and off frequently.	The room temperature is hotter than normal. A large amount of food has been added to the freezer. The door is open too often. The door is not closed completely. The temperature control is not set correctly. The door gasket does not seal properly. The freezer does not have the correct clearances.
Vibrations.	Check to assure that the freezer is level.
The freezer seems to make too much noise.	The rattling noise may come from the flow of the refrigerant, which is normal. As each cycle ends, you may hear gurgling sounds caused by the flow of refrigerant in your freezer. Contraction and expansion of the inside walls may cause popping and crackling noises. The freezer is not level.
The door will not close properly.	The freezer is not level. The door is reversed and not properly installed. The gasket is dirty. The baskets are out of position.

## SERVICE FOR YOUR FREEZER

We are proud of our customer service organization and the network of professional service technicians that provide service on your Avanti freezers. With the purchase of your Avanti freezer, you can have the confidence that if you ever need additional information or assistance, the Avanti Products Customer Service team will be here for you. Just call us toll-free.

### AVANTI PRODUCTS CUSTOMER SERVICES

Product Information 800-323-5029	Whatever your questions are about our products, help is available.
Part Orders 800-220-5570	You may order parts and accessories that will be delivered directly to your home. You may order these items by personal check, money order, Master Card, or Visa.
In-Home Repair Service 800-220-5570	An Avanti Products authorized service center will provide expert repair service, scheduled at a time that is convenient for you. Our trained servicers know your freezer inside and out.

**YOUR Avanti Products WARRANTY**

**Staple your sales receipt here. Proof of original purchase date is needed to obtain service under warranty.**

**WHAT IS COVERED**

**LIMITED ONE-YEAR WARRANTY**

For one year from the date of purchase by the original owner, Avanti Products will, at its option, repair or replace any part of the freezer which proves to be defective in material or workmanship under normal use. During this period Avanti Products will provide all parts and labor necessary to correct such defects free of charge, so long as the freezer has been installed and operated in accordance with the written instructions in this manual. In rental or commercial use, the warranty period is 90 days. All Avanti Appliances of 3.5 cubic feet capacity or less must be brought/sent to the appliance service shop for repair.

**LIMITED SECOND THROUGH FIFTH YEAR WARRANTY**

For the second through the fifth year from date of original purchase, Avanti Products will provide a replacement compressor free of charge due to a failure. You are responsible for the service labor and freight charges. In rental or commercial use, the limited compressor warranty is one year and nine months. Cost to move the freezer to the servicers' shop and back to the user's home, as may be required, are the user's responsibility.

---

**WHAT IS NOT COVERED**

- ? Content losses of food due to spoilage.
- ? Incidental or consequential damages.
- ? Parts and labor costs for the following will not be considered as warranty:
  - ? Evaporator doors, door springs, and/or frames.
  - ? Inner door panels, door shelves, door rails, and/or door supports.
  - ? Chest freezer lid liners.
  - ? Vegetable crispers.
  - ? Light bulbs and/or plastic housing.
  - ? Plastic cabinet liners.
  - ? Punctured evaporator that voids the warranty on the complete sealed system.
- ? Repairs performed by unauthorized servicers.
- ? Service calls that do not involve defects in material or workmanship such as customer education, door reversal, or proper installation.
- ? Service calls that are related to external problems, such as abuse, misuse, inadequate electrical power, accidents, fire, floods, or acts of God.
- ? Replacement of house fuses or resetting circuit breakers.
- ? Failure of the product if it is used for other than its intended purpose.
- ? This warranty does not apply outside the Continental U.S.A..

## Wiring Diagram

## INSTRUCCIONES

<b>PRECAUCIÓN</b>	Para reducir el riesgo de incendio, descarga eléctrica, o daño cuando use su electrodoméstico, siga las siguientes precauciones.
<ul style="list-style-type: none"><li>? Lea todas las instrucciones antes de usar su electrodoméstico.</li><li>? Peligro o Precaución: Existe el riesgo que los niños queden atrapados.</li><li>? Niños atrapados o sofocamiento no son un problema del pasado. Los electrodomésticos son peligrosos aún si solo los deja en el garaje por un par de días.</li><li>? Antes de desechar su congelador o refrigerador usado: quítele las puertas. Deje las repisas en su lugar para evitar que los niños se queden atrapados.</li><li>? No permita que los niños manejen, jueguen o entren dentro del electrodoméstico.</li><li>? No limpie su electrodoméstico con líquidos inflamables. Los gases pueden ocasionar fuego o una explosión.</li><li>? No guarde ni use gasolina u otros líquidos inflamables cerca de este o de cualquier otro electrodoméstico. Los vapores pueden ocasionar fuego o explosión.</li></ul> <p style="text-align: center;">- <u>Guarde estas instrucciones.</u>-</p>	

## INSTRUCCIONES PARA LA INSTALACION

### Antes de usar su artefacto

- ? Retire la envoltura interna y externa.
- ? Verifique que tenga las siguientes partes: 4 canastas de almacenaje, 1 llave del Termostato, 1 manual de instrucciones y 1 espátula de plástico
- ? Antes de conectar su electrodoméstico a la corriente eléctrica, ubíquelo en una superficie plana por lo menos por 2 horas. Esto reducirá la posibilidad de malfuncionamiento en el sistema de enfriamiento por el manipuleo durante el transporte.
- ? Limpie la superficie interior con agua tibia usando un trapo suave.

### Instalación de su congelador

- ? Ubique su congelador en un piso que sea lo suficientemente fuerte para soportar su peso cuando este totalmente lleno o cargado. Para nivelar el congelador, ajuste las patas delanteras.
- ? Deje aproximadamente 5 pulgadas de espacio entre la parte trasera y los costados de su electrodoméstico, así permitirá la circulación de aire necesaria para enfriar el compresor.
- ? Mantenga su congelador alejado del aire caliente, vapor o líquidos que puedan salpicarlo, ya que la unidad podría averiarse.
- ? Los rayos solares directos pueden malograr la capa acrílica, y las fuentes de calor pueden ocasionar un aumento en el consumo eléctrico. Manténgalo lo más alejado posible del agua para prevenir algún choque eléctrico. Evite los sitios húmedos y los ambientes extremadamente fríos ya que esto puede afectar la eficiencia del enfriamiento de su congelador.
- ? Evite ubicar su congelador en áreas mojadas o muy húmedas. Mucha humedad en el aire puede causar la formación de escarcha rápidamente y necesitará descongelar su congelador más frecuentemente.
- ? Conecte el congelador a un enchufe de pared exclusivo e instale el cable de tierra. Bajo ninguna razón se debe retirar la tercera punta del enchufe. Cualquier consulta con respecto a la energía y/o cable de tierra debe ser dirigida a un electricista certificado o autorizado por el Servicio Técnico de Avanti Products.

### **Conexión eléctrica**

**Este electrodoméstico debe ser conectado a tierra. En el caso que ocurra un corto circuito, la conexión a tierra reduce el riesgo de recibir un choque eléctrico ya que cuenta con un alambre para el escape de la corriente eléctrica. Este electrodoméstico está equipado con un enchufe que consta de tres puntas, la tercera punta es la conexión a tierra. Este enchufe debe ser insertado a un enchufe de pared que este correctamente instalado con la conexión a tierra.**

#### **ADVERTENCIA**

? El uso inapropiado del enchufe a tierra puede desencadenar un choque eléctrico. Consulte a personal autorizado por Avanti Products si tiene alguna duda sobre las instrucciones o si tiene alguna consulta si el electrodoméstico está correctamente instalado a la corriente eléctrica y a tierra. Si el cordón del enchufe del electrodoméstico se encuentra dañado, debe ser reemplazado por el Servicio Técnico de Avanti Products.

- ? El cordón del enchufe está equipado con tres puntas que encajan perfectamente en un enchufe de pared standard para reducir el riesgo de un choque eléctrico.
- ? Bajo ninguna circunstancia corte o saque la tercera punta del enchufe que le proveemos ya que este es para que vaya conectado a tierra.
- ? No use una extensión.
- ? La corriente de este electrodoméstico es de 115/120 voltios, tiene una salida eléctrica de 60 hz. y consta de un enchufe de tres puntas que va conectado al enchufe de pared.
- ? El cordón del enchufe debe ser asegurado atrás del electrodoméstico y no dejarlo expuesto para evitar accidentes.

### **CERRADURA DE LA PUERTA**

Su unidad viene equipada con una combinación de cerradura y llave. Las llaves (2) están dentro de la bolsa plástica junto al manual de instrucciones. Introduzca la llave en la cerradura y gírela hacia la izquierda para abrir la puerta. Para cerrarla, gire la llave hacia la derecha. Quite la llave y colóquela en un lugar seguro para evitar que se pierda.

### **COMO CAMBIAR LA DIRECCION DE APERTURA DE LA PUERTA**

En caso de que necesite cambiar el lado de apertura de la puerta, por favor consulte al servicio posventa de su localidad o al empleado que le vendió la unidad.

#### **USANDO SU CONGELADOR**

### **Control de temperatura**

- ? Su congelador tiene un control que regula la temperatura. El control de temperatura está ubicado en la esquina inferior a mano derecha.
- ? La primera vez que encienda el congelador, ponga la temperatura en la posición de enfriado máximo, usando la llave del termostato provista. (Si extravía la llave, puede usar una moneda o un destornillador plano).
- ? El control de temperatura va desde lo más caliente "1" a lo más frío "6". Después de 24 a 48 horas, ajuste el control de temperatura al nivel que usted necesite. El nivel "3" es el más adecuado para uso en la casa u oficina.
- ? Para detener el ciclo de congelamiento, voltee el control de temperatura a "OFF"

#### **NOTA:**

- ? Si gira la temperatura a la posición "OFF" detendrá el ciclo de enfriamiento, esto no significa que apagará el congelador.
- ? Si la unidad se desconecta, pierde corriente o se apaga la llave principal, tendrá que esperar 3 a 5 minutos para volver a reiniciar la unidad. Si usted intenta reiniciar antes de este tiempo su congelador no encenderá.

#### **ADVERTENCIA**

**No use agua hirviendo porque dañará las partes de plástico. Tampoco use puntas o instrumentos metálicos para retirar la escarcha ya que dañará el espiral de enfriamiento y cancelará la garantía. Le recomendamos usar la espátula de plástico.**

- ? Retire los alimentos del congelador y colóquelos en una caja térmica para conservarlos y protegerlos.

### **Compartimiento de su congelador**

- ? Este compartimiento está diseñado para un periodo largo (3 meses) de almacenamiento de alimentos congelados.
- ? El tiempo de almacenamiento de los alimentos congelados varía y se recomienda almacenarlos solamente mientras esté vigente la fecha de expiración. Cuando descongele su congelador deberá seguir cuidadosamente las instrucciones.
- ? Alimentos congelados preenvasados comercialmente deben ser almacenados de acuerdo con las indicaciones de su fabricante.
- ? Coloque los alimentos congelados dentro de su congelador inmediatamente después de comprarlos. Si hay indicaciones en el envase, sígalas cuidadosamente considerando el tiempo de almacenamiento.
- ? La puerta del congelador puede quebrarse cuando hay mucho hielo. Asegúrese de descongelarlo cuando el hielo haya excedido ¼ pulgada de espesor.

### **CUIDADO Y MANTENIMIENTO**

#### **Limpiando su congelador**

- ? Gire el control de temperatura a "OFF", desconecte el congelador y retire los alimentos.
- ? Lave el interior con agua tibia y un trapo suave remojado en una solución de bicarbonato de sodio. La solución consiste en 2 cucharadas de bicarbonato de sodio y un litro de agua.
- ? Lave la canasta de almacenaje con un detergente suave.
- ? Las partes externas de su congelador deben ser limpiadas con un detergente suave y agua tibia.

### **ADVERTENCIA**

**Asegúrese de desconectar el congelador de la corriente eléctrica. Si no lo hace, puede ocasionar un choque eléctrico o herirse.**

#### **Si falla el suministro eléctrico**

Usualmente la electricidad regresa en unas pocas horas sin afectar la temperatura de su congelador, siempre que la puerta no se abra muy frecuentemente. Si le va faltar electricidad por un período de tiempo más largo, usted debe tomar los pasos apropiados para proteger sus alimentos.

Si usted sale de vacaciones

Retire todos los alimentos si va a estar ausente por un período largo; desconecte y limpie su congelador.

Deje la puerta del congelador ligeramente abierta para evitar la formación de mal olor, moho.

#### **Para mover su congelador**

- ? Retire los alimentos.
- ? Asegúrese de colocar cinta adhesiva a todo lo que se puede caer dentro de su congelador.
- ? Retire las patas para prevenir que se dañen.
- ? Selle las puertas con cinta adhesiva.
- ? Asegúrese que el congelador se mantenga parado durante el traslado.

#### **Consejos para ahorrar energía**

- ? Su congelador debe estar ubicado en el área más fría de la habitación, alejado de electrodomésticos que produzcan calor o conductos de aire caliente y lejos de los rayos solares.
- ? Los alimentos calientes deben estar a temperatura ambiental antes de colocarlos en el



- congelador. Si sobrecarga su congelador forzará al compresor a funcionar más tiempo del normal. Los alimentos que se congelan lentamente pierden calidad y se malogran.
- ? Asegúrese de envolver adecuadamente los alimentos y de secar los empaques o contenedores antes de colocarlos dentro del congelador. Colocarlos mojados ocasiona escarcha en el congelador.
  - ? La canasta de almacenaje de su congelador no debe ser forrada con papel aluminio, papel de cera o papel toalla ya que esto interfiere con la circulación del aire frío restando eficiencia a su congelador.
  - ? Organice y coloque etiquetas en los envases de los alimentos con la finalidad de abrir el congelador lo menos posible y encontrar rápidamente lo que usted está buscando. Retire la mayor cantidad posible de cosas que necesita a la vez y cierre la puerta del congelador tan pronto le sea posible.

## PROBLEMAS CON SU CONGELADOR

Usted puede resolver muchos problemas comunes de su electrodoméstico fácilmente, ahorrándole el gasto de una posible visita del servicio técnico.

Pruebe las siguientes sugerencias para verificar si usted puede resolver el problema antes de llamar al servicio técnico.

### GUIA PARA SOLUCIONAR PROBLEMAS

PROBLEMA	SOLUCIÓN
Su electrodoméstico no funciona	No está conectado a la corriente eléctrica. El interruptor saltó o se quemó un fusible El control de temperatura está en "OFF"
El compresor se enciende y se apaga frecuentemente	La temperatura de la habitación es más caliente de lo normal. Colocó demasiados alimentos descongelados al mismo tiempo. La puerta permanece abierta mucho tiempo. La puerta no quedó completamente cerrada. El control de temperatura no está funcionando correctamente. La empaquetadura de la puerta no está sellada adecuadamente. El congelador no tiene el suficiente espacio libre.
Vibración.	Asegúrese que el congelador esté ubicado en un lugar totalmente plano.
Sonido de burbujeo, goteo, como agua que hierve o crujidos.	Esto es normal. Es el refrigerante (usado para enfriar el congelador) que está circulando a través del sistema. La contracción y expansión de las paredes internas puede ocasionar sonidos como crujidos.
La puerta no cierra completamente	El congelador no está totalmente nivelado. La dirección de apertura de la puerta fue invertida pero instalada incorrectamente. El sellador de la puerta está sucio. La canasta de almacenaje está fuera de su sitio obstaculizando el cierre de la puerta.

PRINTED IN CHINA