

# StarLink™ internet jukebox

## FIELD SERVICE MANUAL and PARTS CATALOG



### ***DLW-1 STUDIO SOUND and 2 CHANNEL PREAMP***



VOLUME 1 of 1  
Rev. H  
21822662

# TABLE OF CONTENTS

## SECTION 1 - UNPACKING AND SYSTEM DESCRIPTION

<b>Introduction</b> .....	<b>1-1</b>
<b>Features</b> .....	<b>1-2</b>
General Features .....	1-2
Service Features .....	1-2
<b>Unpacking Instructions</b> .....	<b>1-3</b>
Exterior .....	1-3
Installation Instructions .....	1-3
Door .....	1-6
<b>Visual Inspection</b> .....	<b>1-6</b>
<b>Handy Case</b> .....	<b>1-6</b>
<b>Warranty Registration Card</b> .....	<b>1-6</b>
<b>Major Components</b> .....	<b>1-7</b>
Core Computer .....	1-7
Touchscreen Monitor 15" .....	1-7
Touchscreen Monitor 17" .....	1-7
Credit Card Reader .....	1-7
UPS .....	1-7
System Power Supply .....	1-7
Transformer Assembly .....	1-7
Rowelink Controller .....	1-7
Volume Control Unit .....	1-8
Audio/Video Controller .....	1-8
2 Channel Preamp .....	1-8
1000 Watt Audio Digital Power Amplifier .....	1-8
Output Transformers .....	1-8
Mars Bill Acceptor .....	1-8
<b>Specifications</b> .....	<b>1-10</b>
<b>Lamps, Fuses, Circuit Breakers</b> .....	<b>1-11</b>

## SECTION 2 - INSTALLING THE HARD DRIVE AND TESTING

<b>Installing the Hard Drive and Testing</b> .....	<b>2-1</b>
<b>Testing the Unit</b> .....	<b>2-3</b>
<b>Peripherals</b> .....	<b>2-3</b>
Touchscreen .....	2-3
Bill Acceptor .....	2-3
Credit Card Reader .....	2-3
Connecting Speakers .....	2-4

## SECTION 3 - VENUE INSTALLATION

<b>Introduction</b> .....	<b>3-1</b>
<b>Installing the Jukebox</b> .....	<b>3-2</b>

## TABLE OF CONTENTS

### SECTION 3 - VENUE INSTALLATION (continued)

Ethernet Cable Pin Out and Instructions .....	3-3
<b>Sound System Setup .....</b>	<b>3-4</b>
Extension Speaker Operation .....	3-4
70 Volt Speakers .....	3-4
Low Impedance Speakers .....	3-4
4 Ohm Speakers .....	3-4
8 Ohm Speakers .....	3-4
Extension Speaker Worksheet .....	3-5
Transformer Wiring Diagram .....	3-12
Speaker Synopsis .....	3-14
8 Speaker Installation .....	3-15
16 Speaker Installation .....	3-16
32 Speaker Installation .....	3-17
Remove Volume Control Unit (3 Wire) .....	3-19
Remove Volume Control Unit (4 Wire) .....	3-20

### SECTION 4 - ROUTINE SERVICE

Introduction .....	4-1
Collecting Money .....	4-2
Preventive Maintenance .....	4-3
Touchscreen .....	4-3
Exterior .....	4-3
Interior .....	4-3

### SECTION 5 - TROUBLESHOOTING

Introduction .....	5-1
<b>DLW-1 LED's .....</b>	<b>5-2</b>
Power Supply Board .....	5-2
+9 V LED .....	5-2
+12 V LED .....	5-2
+24 V LED .....	5-2
Rowelink Controller .....	5-2
5VDC, 12VDC, 24VDC, and 24VAC LED's .....	5-2
IR RCV LED .....	5-2
KID RL TX LED .....	5-2
CC RL RX LED .....	5-2
CC RL TX LED .....	5-2
CRDT RL TX LED .....	5-2
CRDT STATUS LED .....	5-2
AV Controller .....	5-2
Power LED .....	5-2
Status LED .....	5-2
Rowelink LED .....	5-2
Volume Control .....	5-3
Period LED (on the 10's Digit) .....	5-3
Period LED (on the 1's Digit) .....	5-3
Power Amplifier .....	5-3
Yellow Clip LED .....	5-3
Red Overload LED .....	5-3

## TABLE OF CONTENTS

### SECTION 5 - TROUBLESHOOTING (continued)

Uninterruptable Power Supply .....	5-3
Green LED (on top of UPS near the UPS Power Switch) .....	5-3
Building Wiring Fault LED .....	5-3
Computer Core Assembly .....	5-3
+5 V LED .....	5-3
TX LED .....	5-3
Link LED .....	5-3
RX LED .....	5-3
Hard Drive Green LED .....	5-3
Hard Drive Yellow LED .....	5-3
<b>Sequence of Operation .....</b>	<b>5-4</b>
<b>Block Diagram - Studio Sound .....</b>	<b>5-6</b>
<b>Block Diagram - 2 Channel Preamp .....</b>	<b>5-12</b>
<b>Wiring Diagram - 2 Channel Preamp .....</b>	<b>5-14</b>
<b>Troubleshooting Charts .....</b>	<b>5-18</b>

### SECTION 6 - NETWORK

<b>Introduction .....</b>	<b>6-1</b>
<b>Where to Install the Designated Line and Router .....</b>	<b>6-2</b>
<b>Installing the Designated Line .....</b>	<b>6-3</b>
DSL .....	6-3
Dial Up .....	6-3
<b>Installing the Router .....</b>	<b>6-4</b>
Introduction .....	6-4
Description .....	6-4
<b>Steps to Install the Router in the Location .....</b>	<b>6-5</b>
<b>Standard Phone Cable Pin Out and Sources .....</b>	<b>6-6</b>

### SECTION 7 - USING THE DLW-1

<b>Introduction .....</b>	<b>7-1</b>
<b>Operating the DLW-1 Jukebox .....</b>	<b>7-2</b>
Approaching the Jukebox .....	7-2
Attract Loop .....	7-2
Getting Started .....	7-2
Paying to Use the System .....	7-2
Using the System .....	7-3
Selecting Local Music .....	7-3
Search All Music on the DLW-1 Network .....	7-3
Selecting Music from the Network .....	7-3
Buy CD Button .....	7-3

## TABLE OF CONTENTS

### SECTION 7 - USING THE DLW-1 (continued)

<b>Operating the DLW-1 Jukebox - Short Sheet</b> .....	<b>7-4</b>
Jukebox Music Station .....	7-4
To Select an Album .....	7-4
To Select a Song .....	7-4
To Purchase an Album .....	7-4

### SECTION 8 - EXTRANET

<b>Introduction</b> .....	<b>8-1</b>
<b>General Questions for Internet Beginners</b> .....	<b>8-2</b>
Clicking .....	8-2
Pull-down menus .....	8-2
Using the "GO" button .....	8-2
How do I return to the previous pages .....	8-2
Downloading .....	8-2
Printing .....	8-2
<b>General Questions for Everyone</b> .....	<b>8-3</b>
How do I access the Extranet? .....	8-3
My username and password .....	8-3
How do I get a username and password? .....	8-3
How do I change my username and password? .....	8-3
What if I forget my username or password? .....	8-3
Who can view my account? .....	8-3
How do I get to each section's home page? .....	8-3
<b>Revenue Reports</b> .....	<b>8-4</b>
<b>Usage Reports</b> .....	<b>8-4</b>
<b>Music Reports</b> .....	<b>8-4</b>
<b>System Reports</b> .....	<b>8-4</b>
What are system reports? .....	8-4
How often are system reports carried out? .....	8-4
How to read system reports .....	8-4
Can I find out what's wrong with a unit that is not working properly? .....	8-4
What to do if a unit is not working .....	8-4
<b>Update music</b> .....	<b>8-5</b>
Adding, deleting albums .....	8-5
Auto suggest .....	8-5
Music advisor .....	8-5
Manual select/remove .....	8-6
What is the maximum number of albums I can add to a location's system each month? .....	8-6
How long does it take to process my request to add or delete albums? .....	8-6
Can I see a list of albums on each location's DLW-1 list? .....	8-6
<b>Edit Profile</b> .....	<b>8-7</b>
What can I edit? .....	8-7
How can I edit? .....	8-7

## TABLE OF CONTENTS

<b>SECTION 9 - 2 CHANNEL SOUND SYSTEM</b> .....	<b>9-1</b>
Acoustical Compensation (Equalizer Tone Controls) .....	9-3
Equalizer Settings .....	9-3
Soft and Highly Absorbent Rooms .....	9-4
Average or Moderately Absorbent Rooms .....	9-5
Hard or Non-Absorbent Rooms .....	9-5
<b>SECTION 10 - OPERATOR SCREENS</b> .....	<b>10-1</b>
Service Mode Map .....	10-2
Main Menu .....	10-4
System Auditing .....	10-4
Collection .....	10-5
Pricing and Play Option .....	10-5
Song Play Order .....	10-6
Credit Pricing .....	10-6
Add Free Credits .....	10-7
Autoplay Mode .....	10-7
Clear Credit/Clear Queue .....	10-8
Recover Credits/Recover Queue .....	10-8
Recover Queue .....	10-9
Keypad .....	10-9
Recover Credits .....	10-10
Keypad .....	10-10
Hardware/Diagnostics .....	10-11
Calibrate Touchscreen .....	10-11
Rowelink Configuration .....	10-12
System Configuration .....	10-12
Pricing Setup .....	10-13
Audio Equalizers .....	10-13
Audio Volume Presets .....	10-14
Audio Modes - Input Select .....	10-15
Audio Modes - Muting .....	10-15
Audio Modes - Output Mode .....	10-16
Remote Control Setup - Parameters .....	10-17
Remote Control Setup - IR Settings .....	10-18
Remote Control Setup - VCU Settings .....	10-19
Microphone Setup - Setup .....	10-20
Microphone Setup - Routing .....	10-20
System Settings .....	10-21
Network Settings .....	10-21
System Diagnostics .....	10-21
Quick Diagnostics .....	10-22
Network Diagnostics .....	10-22
Application Logs .....	10-22
Update Controller .....	10-23
Configuration Summary .....	10-23
Music Filter .....	10-23
Spanish User Interface .....	10-24
Adding a BGM (Background Music) Unit .....	10-25
Adding Microphones .....	10-26
Separate Volume Control of Speaker Zones .....	10-29
Keypad .....	10-31

## TABLE OF CONTENTS

<b>SECTION 11 - PARTS CATALOG .....</b>	<b>11-1</b>
Introduction .....	11-3
Catalog Description .....	11-3
Parts List Description .....	11-3
Ordering Replacement Parts .....	11-3
Main Door Assembly - External View - 17" Flat Screen .....	11-4
Main Door Assembly - External View - 15" Flat Screen .....	11-6
Main Door Assembly - Internal View - 15" and 17" Flat Screen .....	11-8
Shell Assembly - Internal View - Studio Sound .....	11-12
Shell Assembly - Internal View - 2 Channel Preamp .....	11-13
Shell Assembly - Internal View - Studio Sound and 2 Channel Preamp .....	11-14
Core Computer Assembly .....	11-18
I/O Subassembly (Left) .....	11-20
I/O Subassembly (Right) .....	11-21
Intermediate Board Assembly .....	11-22
Computer Drive Door Assembly .....	11-23
Power Supply Assembly .....	11-24
A/V Controller - 4 Channel .....	11-25
2 Channel Preamp .....	11-26
Output Transformer Assembly .....	11-27
Rowelink Controller Assembly .....	11-28
Hanger Bracket Assembly .....	11-29
Accessory Equipment - 2 Channel Preamp Only .....	11-30



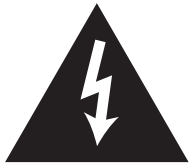




## IMPORTANT SAFETY INSTRUCTIONS

- 1) Read these instructions.
- 2) Keep these instructions.
- 3) Heed all warnings.
- 4) Follow all instructions.
- 5) Do not use this apparatus near water.
- 6) Clean only with a dry cloth.
- 7) Do not block any ventilation openings. Install in accordance with the manufacturer's instructions.
- 8) Do not install near any heat sources such as radiators, heat registers, stoves, or other apparatus (including amplifiers) that produce heat.
- 9) Do not defeat the safety purpose of the polarized or grounding-type plug. A polarized plug has two blades with one wider than the other. A grounding type plug has two blades and a third grounding prong. The wide blade or the third prong are provided for your safety. If the provided plug does not fit into your outlet, consult an electrician for replacement of the obsolete outlet.
- 10) Protect the power cord from being walked on or pinched, particularly at plugs, convenience receptacles, and the point where they exit from the apparatus.
- 11) Only use the attachments/accessories specified by the manufacturer.
- 12) Use only with the cart, stand, tripod, bracket, or table specified by the manufacturer or sold with the apparatus. When a cart is used, use caution when moving the cart/apparatus combination to avoid injury from tip-over.
- 13) Unplug this apparatus during lightning storms or when unused for long periods of time.
- 14) Refer all servicing to qualified service personnel. Servicing is required when the apparatus has been damaged in any way, such as when the power-supply cord or plug is damaged, liquid has been spilled or objects have fallen into the apparatus, the apparatus has been exposed to rain or moisture, does not operate normally, or has been dropped.





The lightning flash with arrowhead symbol, within an equilateral triangle is intended to alert the user to the presence of uninsulated “dangerous voltage” within the product’s enclosure that may be of sufficient magnitude to constitute a risk of electric shock to persons.



The exclamation point within an equilateral triangle is intended to alert the user to the presence of important operating and maintenance (servicing instructions in the literature accompanying the phonograph).



**WARNING:** To reduce the risk of fire or electric shock, do not expose this apparatus to rain or moisture.

No objects filled with liquid, such as vases, shall be placed on the apparatus.



**CAUTION**

RISK OF ELECTRIC SHOCK  
DO NOT OPEN



DO NOT REMOVE ANY COVERS, GUARDS, OR SHIELDS.  
NO USER SERVICEABLE PARTS ARE INSIDE THIS PHONOGRAPH.  
REFER SERVICING TO QUALIFIED SERVICE PERSONNEL

# Section 1: Unpacking & System Description

## INTRODUCTION

The DLW-1 is part of a much larger system – the Ecast Interactive Entertainment Network. This network is a digital platform that delivers music, games, e-commerce, Internet access, films and other entertainment features to venues everywhere. The Interactive Entertainment Network is delivered through the DLW-1 system. The system consists of a digital jukebox and an Internet router.

The DLW-1 jukebox is an Internet enabled jukebox that allows all the traditional functions of a jukebox backed by the power of the Internet. The Internet connectivity gives patrons more features, such as the ability to download songs on demand for temporary play and to purchase albums.

## FEATURES

The major DLW-1 features are:

### General Features:

- Sturdy construction and reliable design
- Conveniently located customer, operator, and service controls
- All major components are modular and easy to replace, if needed
- Computer controlled digital music
- A 1000 watt amplifier with dual 5 band graphic equalizer
- Song reject
- 300 album and cover art capacity
- Unwanted music categories can be blocked
- Quarter and Dollar Coin Acceptance
- Bill acceptance of \$1, and \$5
- 700 bill capacity
- Credit card acceptance
- Web based management
- Attract mode with local and national advertising
- Single song download
- E-commerce abilities
- Dynamic search capabilities
- No pause between plays
- Easy to change pricing

### Service Features:

- All servicing can be done from the front of the phonograph
- Modular component construction for easy replacement
- No CD's to bother with or cumbersome cover art mechanisms
- Complete cash and play audit information
- Password protected Operator web site
  - Access anytime and from anywhere
  - Track revenue and usage
  - Download new music and other content
  - Check system status

## UNPACKING INSTRUCTIONS

This section contains information for unpacking the phonograph and installing it at a venue. The phonograph is shipped with all major components in place. Save all tie-down hardware in case the DLW-1 must be moved to another location.

### Exterior

1. Remove the shipping carton with care: Do not use shipping hooks or sharp tools that could damage the phonograph cabinet.
2. Remove the plastic bag that covers the phonograph.
3. Carefully inspect the interior and exterior of the phonograph to ensure that no damage occurred during transit.

If damage is detected, the carrier who delivered the phonograph should be contacted immediately to examine it. Regardless of the exterior condition of the shipping cartons, the carrier should be called and notified of damage. Do not destroy packing material or boxes until the carrier's agent has examined them. Damage claims are your responsibility. Do not return damaged merchandise until after your claim has been established. Once your claim has been established, merchandise may be returned to your Rowe distributor for repair. The invoice amount for repair charges can then be collected from the carrier.

## DOORS

1. Locate the red bag in the top hold on the back of the cabinet. Remove the door key from the bag and unlock the top door. Turn the key to the right and open the door as you turn the key.

## VISUAL INSPECTION

Check to be sure that all electrical plugs are completely seated into their receptacle.

## HANDY CASE

Locate the Handy Case in a blue plastic envelope. The Handy Case contains a variety of items, including the phonograph service manual and parts catalog, spare parts, and fuses. Keep the Handy Case inside the phonograph so the service manual and parts will be readily available when needed.

## WARRANTY REGISTRATION CARD

A postage-paid Warranty Registration Card is included with the phonograph. This card should be filled out and returned to Rowe.

## INSTALLATION INSTRUCTIONS



### CAUTION

Wallphono must be solidly fastened to structural members within the supporting wall. Wallphono weighs 165 pounds (75 kg); if it falls, it could cause damage or injury.



### CAUTION

Supplied fasteners (1-1/2" lag screws) are for wood wall stud construction. For other types of construction, installer must provide and use appropriate fasteners.

### Installing Hanger Bracket

Hanger Bracket is shipped installed to back of the Wallphono (See Figure 1-1).

1. Loosen 2 screws in slots for both Retainer Brackets that hold the Hanger Bracket in place on back of cabinet (See Figure 1-2). Slide Retainer Bracket to side and remove. Then lower and remove Hanger Bracket.

**IMPORTANT:** Save Retainer Brackets for later use after Wallphono is hung.

2. **PREFERRED METHOD:** At the installation location, use a level to mark a line that is exactly level and 66 9/16" (169 cm) above the floor. This will place bottom of the Wallphono at the recommended 33 1/2" (85 cm) above the floor.

**IMPORTANT:** This line must be horizontal so that the Wallphono will be level.

**IMPORTANT:** If replacing a WP100, use the level to mark a line that is exactly 4 1/2" directly below existing holes. This will allow for using the existing lower holes in wall and placing the Wallphono at the same recommended height.

3. Locate wall stud locations on the horizontal line. If using supplied lag screws, drill 5/32" holes at mark.
4. Place Hanger Bracket against wall. Align Hanger Bracket holes with wall marks and attach with all fasteners.

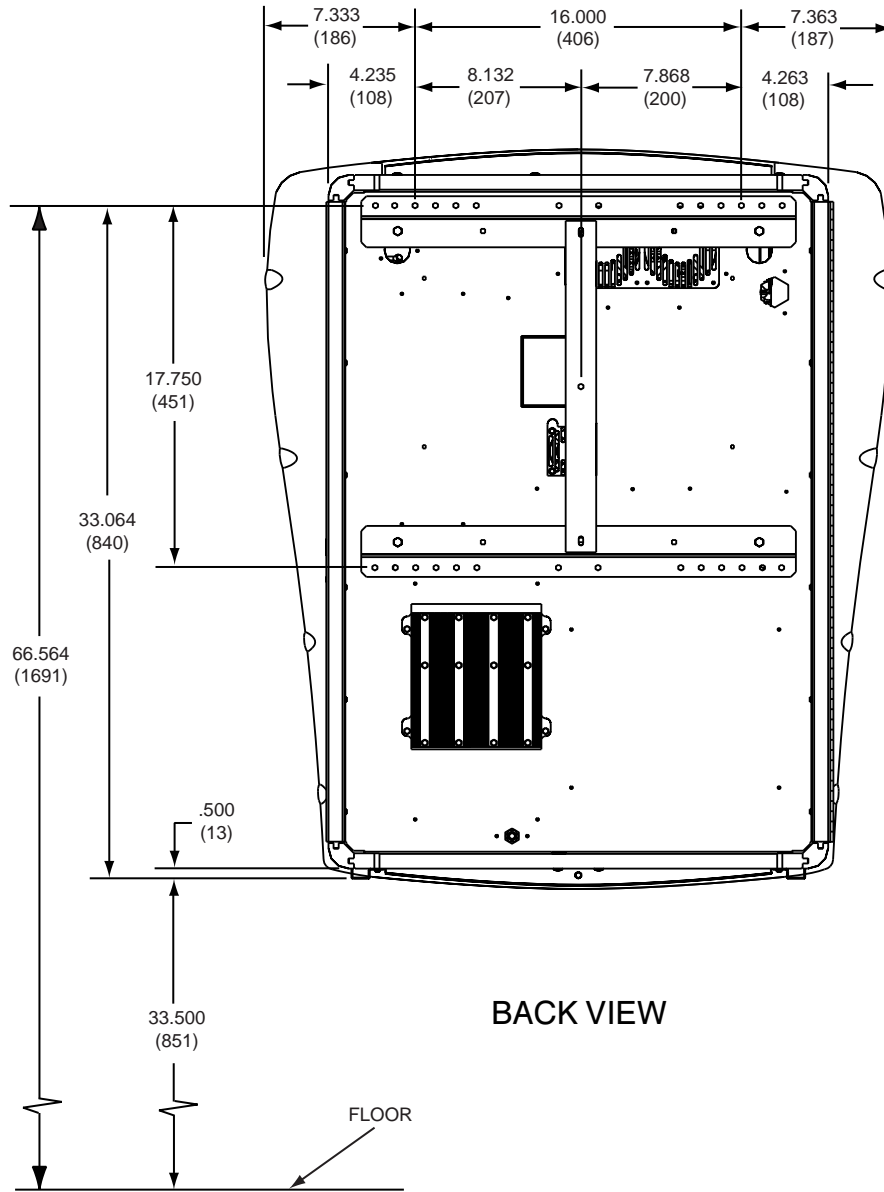


FIGURE 1-1

## HANG WALL PHONO ON BRACKET



### CAUTION

Wallphono weighs 165 pounds (75 kg) and requires at least two people for lifting. To see Hanger Bracket alignment open Main Door.

1. As you lift Wallphono to Hanger Bracket, look through opened Door to be sure keyhole slots of the Wallphono Back Panel are aligned with spools of the Hanger Bracket.
2. Push Wallphono against wall and lower it onto spools.
3. While Door is still opened, visually check that the Wallphono Back Panel is properly seated on the spool slots.
4. Reinstall Retainer Brackets and tighten screws to lock the Wallphono on the Hanger Bracket.  
(See Figure 1-2)

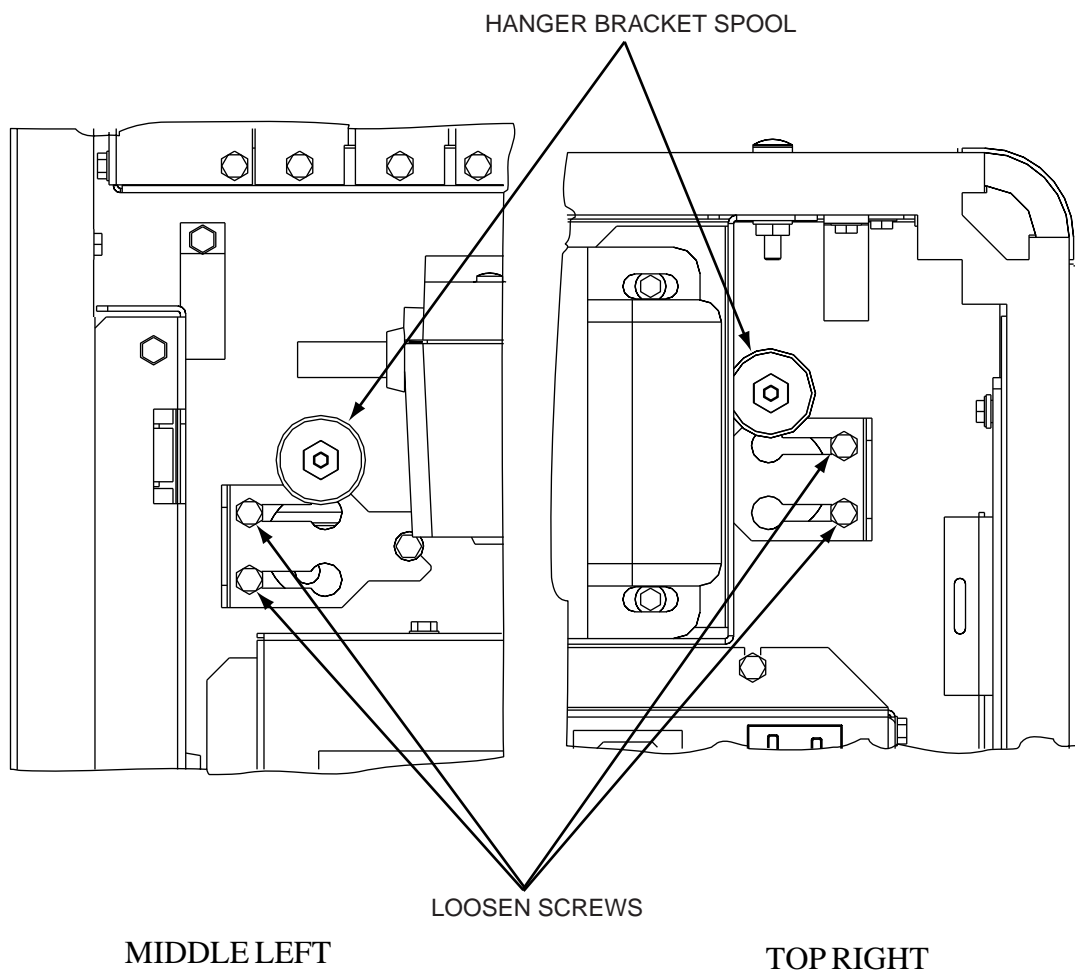


FIGURE 1-2



## **MAJOR COMPONENTS OF THE DLW-1**

Figure 1-3 shows the major components of the DLW-1 Phonograph. Take a minute to familiarize yourself with these components.

### **CORE COMPUTER 22143802**

The Core Computer is the heart of the system and has a removable hard drive and a single board computer. The hard drive is the only storage in the system and retains; Windows 2000, all Application Software, all music, and all setup and audit data. The single board computer converts music selections stored on the hard drive into a stereo signal for the systems audio components. It also connects to the Internet, the SVGA touchscreen monitor, the credit card reader, the UPS, and the Rowelink modules.

### **TOUCHSCREEN 17" LCD MONITOR 22151901 (Studio Sound Model Only)**

### **TOUCHSCREEN 15" LCD MONITOR 22160801 ( 2 Channel Preamp Model Only)**

All viewing, displaying, selecting, or entering is done through the Touchscreen Monitor. Some of the things it is used for are: viewing and making selections, displaying the selection playing, displaying pricing and credits, viewing and changing setup and audit data, downloading selections, and interacting with the Internet.

### **CREDIT CARD READER 34038401**

Allows you to purchase music and other items with your credit card. The touchscreen monitor indicates a valid read and guides you through your purchase.

### **UPS 40927401**

The UPS is a battery-powered unit that provides backup power to the Core Computer if AC line power is temporarily lost.

### **SYSTEM POWER SUPPLY 22145801**

The system power supply produces +9 VDC, +12 VDC, +24 VDC, and has a relay to turn on/off the phonograph lights, touchscreen monitor, and Mars Bill Acceptor. It has an IEC 320 power inlet, two 6A circuit breakers, two 4 amp fuses, and a power switch for service/repair of the phonographs parts. The power switch removes power from all components except the UPS and the CORE COMPUTER.

### **TRANSFORMER ASSEMBLY 40917102**

Supplies power for the Audio/Video Controller, 1000 Watt Audio Digital Amplifier, and the system power supply voltages +9 VDC, +12 VCD, and + 24 VDC.

### **ROWELINK CONTROLLER 40926001**

Connects the Core Computer serial RS-232 COM2 port to the serial RS-485 Rowelink modules. Also includes the credit module and coin switch interface. Provides pushbuttons for service mode, touch screen calibration, and collection.

## **VOLUME CONTROL UNIT 34032903 (Studio Sound Model Only)**

This Rowelink module should be removed from bottom of phonograph and mounted remotely (behind bar, etc.). It displays and controls the volume of the amplifier channels and microphones, turns ON/OFF (power button) the phonograph lights, touchscreen monitor and Mars Bill Acceptor, rejects the selection playing, or adds a credit (same as IR remote credits).

Channel Volume is displayed when the mode LED is off, and microphone volume is displayed when the mode LED is on. The MODE key toggles between channels and microphones. Raise or lower the volume of the channel(s) or microphone using the UP DOWN keys. The volume range is 0 to 63.

The CH, MIC, and SINGER LED's indicate what volume is being displayed. When adjusting channel volume, if more than one LED is on, it means those channels have the same volume. All four channels have the same volume when shipped from the factory (see Section 9 screens Remote Control Setup – Parameters and Audio Modes – Output Modes for other possible configurations).

## **AUDIO/VIDEO CONTROLLER 40917401 (Studio Sound Model Only)**

This Rowelink module transforms audio signals from the Core Computer, microphones, and other sound processors/equipment/systems into signals for the Power Amplifier. It has AVC (automatic volume control) to correct varying recording levels, and tone control via 5-band equalizers. All adjustments and options are programmable via the touchscreen and retained on the Core Computer hard drive.

## **2 CHANNEL PREAMP 61138701 (2 Channel Preamp Model Only)**

This Rowelink module transforms audio signals from the Core Computer, microphones, and other sound processors/equipment/systems into signals for the Power Amplifier. It has AVC (automatic volume control) to correct varying recording levels, and tone control via 7-band equalizers.

## **1000 WATT AUDIO DIGITAL POWER AMPLIFIER 61132003**

The 2-channel audio digital power amplifier is rated 1000 watts (500 per channel) RMS into a 2 ohm load. The full volume output voltage is 32 volts (note – the full volume output voltage in previous CD phonographs is 21 volts).

The amplifier is protected against overloads and short circuits. Continuous severe overloads or shorts may shut down the amplifier (or a channel) but will not damage it. If the overload is removed a signal will reset the amplifier when the next selection plays.

## **OUTPUT TRANSFORMERS 40832108**

The output transformers “step up” the power amplifiers output voltage for 70-volt extension speakers. They also provide screw connections for selecting different power levels for extension speakers.

## **MARS BILL ACCEPTOR 22135603**

The series 2000 bill acceptor with a 700 bill stacker operates off 120 VAC input power and outputs its pulsed credit signal to the Rowelink Controller.

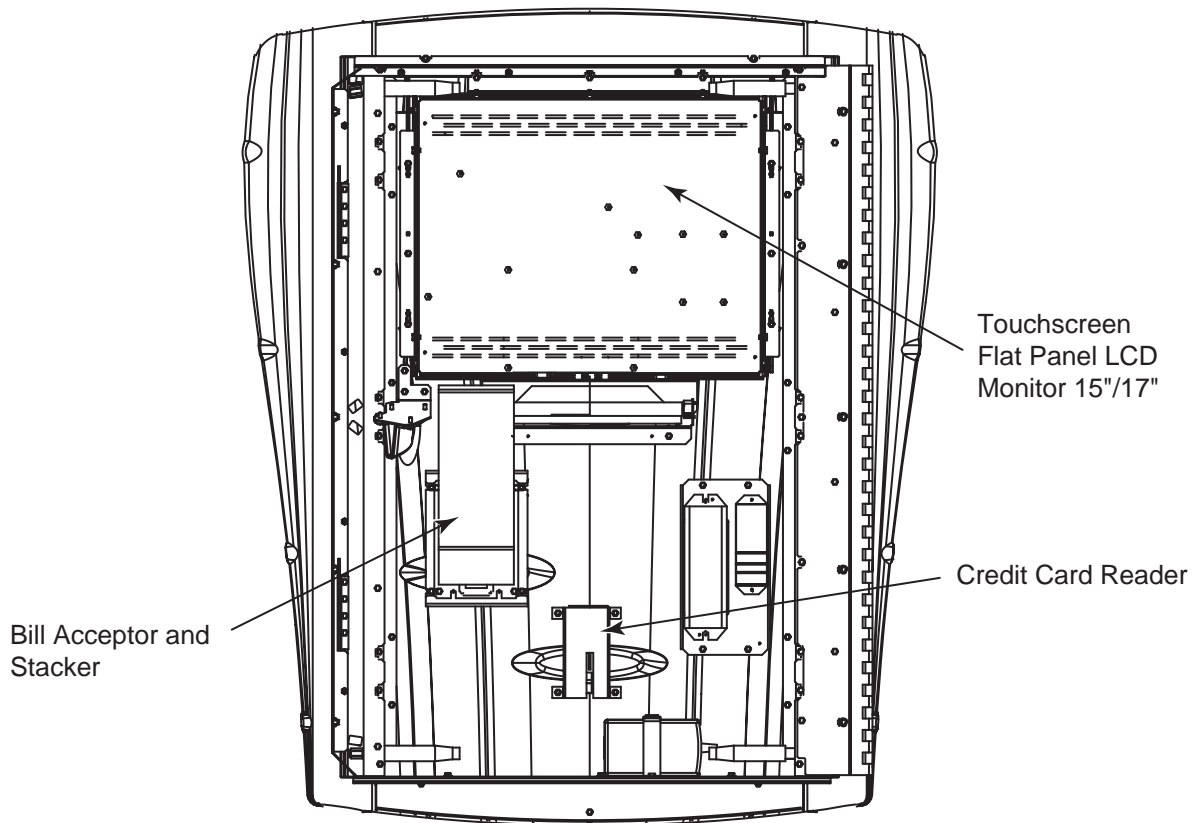
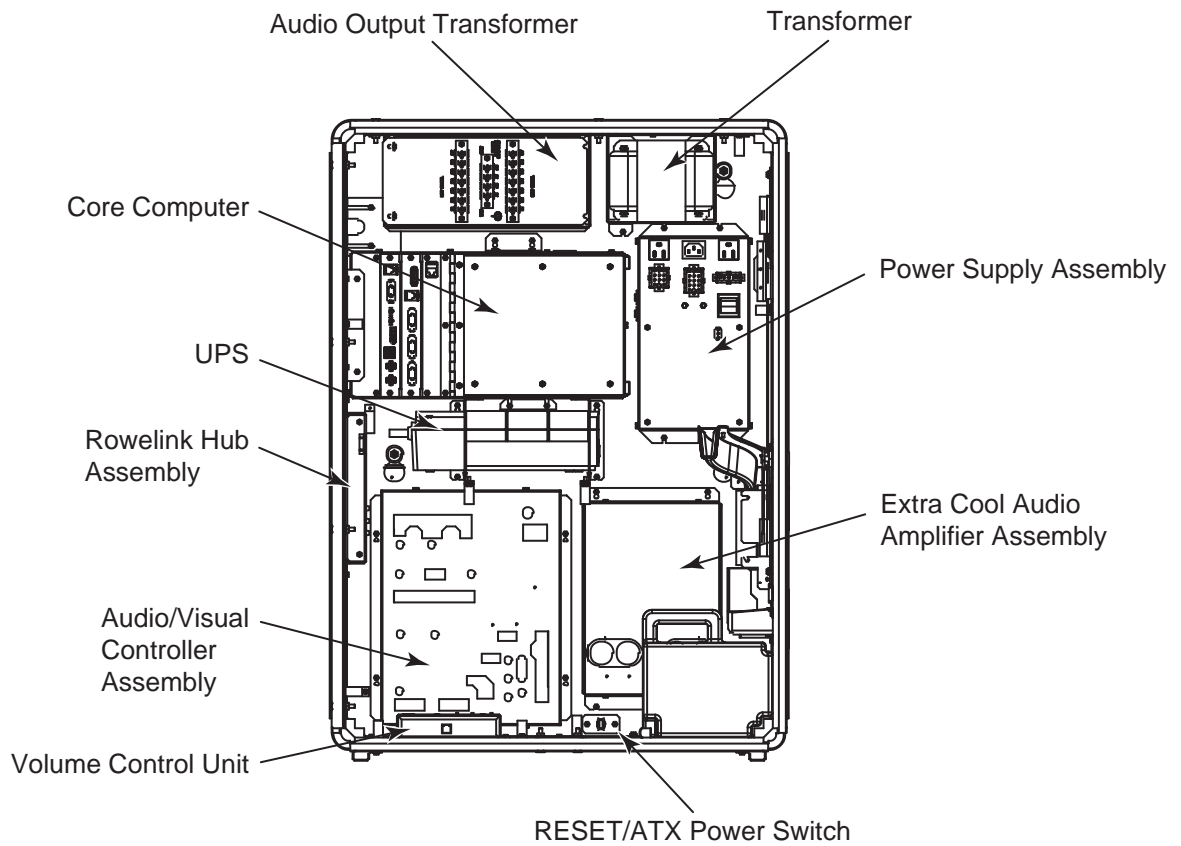


FIGURE 1-3 MAJOR COMPONENTS

## DLW-1 NETSTAR SPECIFICATIONS

### General

Depth ..... 26 1/2 in.  
 Width ..... 40 in.  
 Height ..... 63 in.

Power Requirements ..... 120 VAC 60 Hz.  
 1200 watts 11.9 amps

Pricing ..... See Credit Pricing Screen, Section 9

Bill Acceptor ..... Mars Series 2000 w/700 Bill Stacker. Accepts \$1, and \$5

Coin Acceptor ..... Imonex - Accepts 25¢ and \$1 coins

Credit Card Reader ..... Magnetic Card Reader

Touchscreen Monitor ..... 17" LCD with ELO Saw Touchscreen

### SOUND SYSTEM

#### Core Computer

Type ..... 16 bit Stereo  
 Frequency Response ..... 20 to 20,000 Hz.  
 Channel Separation ..... 90 db @ 1,000 Hz.  
 Output ..... 0.7 V (approx. depending on the album)

#### Power Amplifier (Second 1000 watt Stereo Amplifier is Optional)

##### 1000 Watt Stereo

FTC Rating, 2 Ohm Loads @ .5% THD ..... 1000 watts RMS  
 FTC Rating, 70 V Lines @ .5% THD ..... 250 watts RMS

#### Audio/Video Controller (Pre-amplifier)

Channels (Two Stereo, or one Stereo and Two Mono, of Four Mono) ..... Four  
 AVC Control Range ..... 20 db  
 Tone control is accomplished through a 5 band equalizer (10 db/filter band)

Selection System Capacity ..... 300 Albums

#### Transformer Package

70 V line for extension speakers.

System Frequency Response ..... 40 to 20,000 ±4 db

## LIGHTING

**Lamp Type**  
Fluorescent  
Neon

**Lamp Specs**  
(2) 6 watt, 9 In. F6T5/CW  
Custom

## FUSES AND CIRCUIT BREAKERS

### System Power Supply

120 VAC (Transformer Primary Only) .....	Two 6 amp Circuit Breakers
24 VAC .....	4 amp Fuse
+12 VDC .....	4 amp Fuse
UPS .....	See Figure 2-1

This page left intentionally blank

## Section 2: Installing Hard Drive and Testing

### INSTALLING THE HARD DRIVE

The following steps describe how to install a hard drive in the jukebox.



#### CAUTION

Hard drives are extremely sensitive to physical mishandling. Always keep the hard drives protected from accidental falls, banging, dust, or liquids. To avoid damage, do not remove drive from tray.



#### WARNING

Never install or remove a hard drive when the unit is powered on. As an extra precaution, always unplug the CC (Core Computer) from the UPS battery outlet before removing or inserting a hard drive tray.

1. Unlock the jukebox and open the front door.
2. Unplug the CC from the UPS (see figure 2-1).
3. Unlatch the two latches on the side of the Core Computer. Swing the hard drive assembly open.



#### NOTE

All hard drives will be shipped in a removable hard drive tray, designed to fit the Rowe DLW-1 CC. Check that the data and power cables are securely seated in the drive in the tray before installation.

4. With the tray handle at a 90 degree angle, slide the tray into the CC enclosure. When the tray reaches the back of the bay, press the handle down 90 degrees. Lock the tray in place with the hard drive key. Close and latch the hard drive assembly on the Core Computer locking the two latches. Plug the CC into the UPS battery outlet.

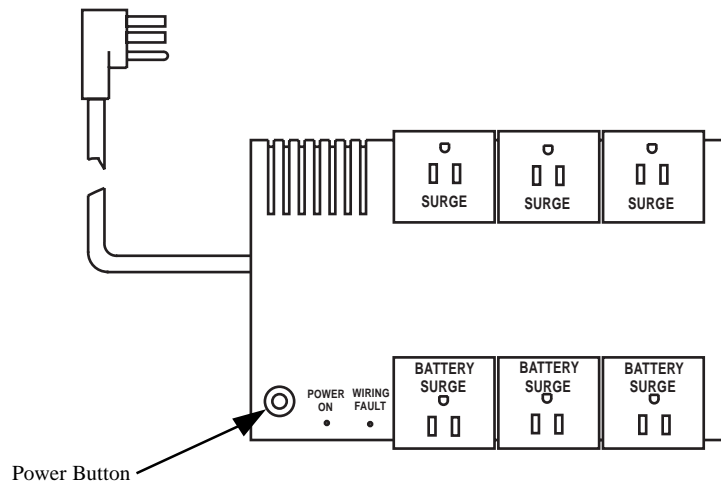


Figure 2-1





## TESTING THE UNIT

Once the jukebox is powered on and the user interface is running (see figure 2-5 Jukebox User Interface), try the following procedures before moving and installing the unit at the venue:

### PERIPHERALS

#### Touch Screen:



#### NOTE:

Every time a hard drive is installed in a CC enclosure, the touch screen needs to be calibrated.

The following procedure describes how to calibrate the touch screen:

1. Press the “Calibration” button on the Rowelink Controller (see figure 2-3). Press the button in once to launch the calibration program. This will override the application while the program runs. See figure 2-4 for a picture of the calibration program interface.
2. Close the phonograph door and make sure it is locked.
3. Follow the directions on the screen, touching the center of the target, then touching YES.

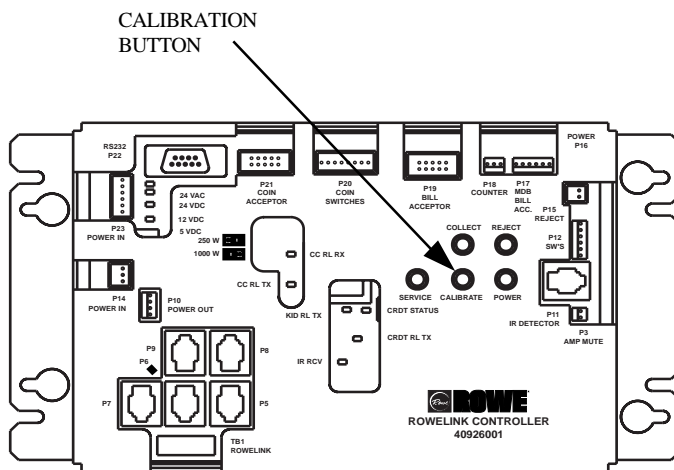


FIGURE 2-3  
ROWELINK CONTROLLER

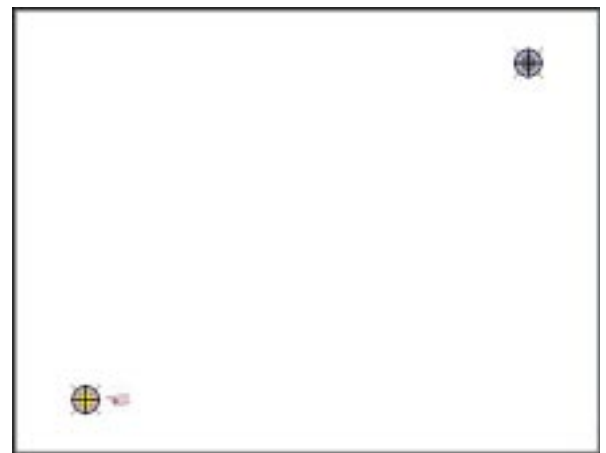


FIGURE 2-4  
CALIBRATION SCREEN

#### Bill Acceptor:

Insert a dollar bill in the jukebox and check that the increment in credits available corresponds with the pricing scheme for the jukebox.

#### Credit Card Reader:

Fully insert and remove any magnetic card (credit, debit, or Club Ecast) into the dipper while the application is running, and assure that the card is acknowledged by the application. The card will not be charged if the jukebox is not hooked up to a network or if the process is cancelled before a dollar amount is selected.



#### NOTE:

The credit card reader only accepts Visa and Master card at this time. A nonaccepted card will return a dialogue box to the user to try a different card.

**CONNECTING SPEAKERS:****Audio:**

Play a local music selection by following the procedure below.

Browse through album covers on the local jukebox by pressing the arrow keys below the 4 album covers that appear on the right-hand side of the screen. To view the songs on an album, touch the album and the song list will appear to the left of the 4 album covers. Scroll down or up with the double arrows to view all songs on the album. Make a song selection by touching the # or title. The song will be selected as long as there is at least 1 credit under “Credits Remaining” in the bottom left-hand corner.



FIGURE 2-5  
JUKEBOX INTERFACE

**Music Selection and Pricing:**

See “Section 7: Using the DLW-1” to understand how to use all of the features associated with the User Interface.

The local music selection and pricing were pre-configured for each hard drive per the selections made on the Ecast Extranet. Please take the time to compare the selections with the packing list shipped with the drive.

**NOTE FOR OPERATORS PRE-TESTING THE JUKEBOX IN THEIR OWN FACILITIES:**

Any features in the application associated with the network – such as the “Download Now” feature, which accesses all songs in the Ecast library, or the “Buy CD” function – will not work. The drive is configured for the network of the venue it is going into. For more information, see “Section 6: Network”.

## Section 3: Venue Installation

### INTRODUCTION



#### WARNING

The first step of the DLW-1 installation is setting up the Network in the venue. The following procedures should only be followed once the Network is in place and has been tested by Ecast. Also, only install a jukebox that has a working and tested hard drive in the jukebox.

Please see “**Section 6: Network**” if you have any questions about setting up the Network.

Please see “**Section 2**” if there are any questions about installing the hard drive or testing the jukebox before venue installation.

The installation of the DLW-1 jukebox should be easy, since most of the preparation and testing has been done ahead of time. Keep in mind that in addition to the standard installation tools, the DLW-1 jukebox installation will also require the following:

- Standard Category 5 Unshielded Twisted Pair (UTP) Cable (approximately 200’ per venue).
- RJ-45 crimping tools
- RJ-45 cable plugs
- Staple gun and staples

In addition to 120 VAC power that is on 24 hours a day, there will be up to 4 hard wired connections to the jukebox: an Ethernet cable from the Router, the extension speaker connections, a Remote Volume Control Unit cable, and an IR Remote Control Sensor.

1. Standard Ethernet cable installed by the operator
2. Standard speaker cable installed by the operator
3. Standard 6 conductor modular (phone) cable installed by the operator. This cable has pin 1 to pin 6, pin 2 to pin 5, etc. and a 100 foot cable is provided. Parts to make your own can be purchased from Radio Shack, Digi-Key, or other sources.
4. Standard 6 conductor modular (phone) cable provided and installed by the operator.

## INSTALLING THE JUKEBOX

### Step 1. Connect to the Network

Do not connect to the network until it has been installed and tested by Ecast. The DLW-1 jukebox connects to the Internet via the router. A “straight through” Ethernet cable must be run between the jukebox and the router. Connect one end from the Ethernet port on the outside of the CC enclosure and thread the cable out an access hole in rear of phonograph. Connect the other end to the port labeled “Ethernet 8” on the Router (see figure 3-1).

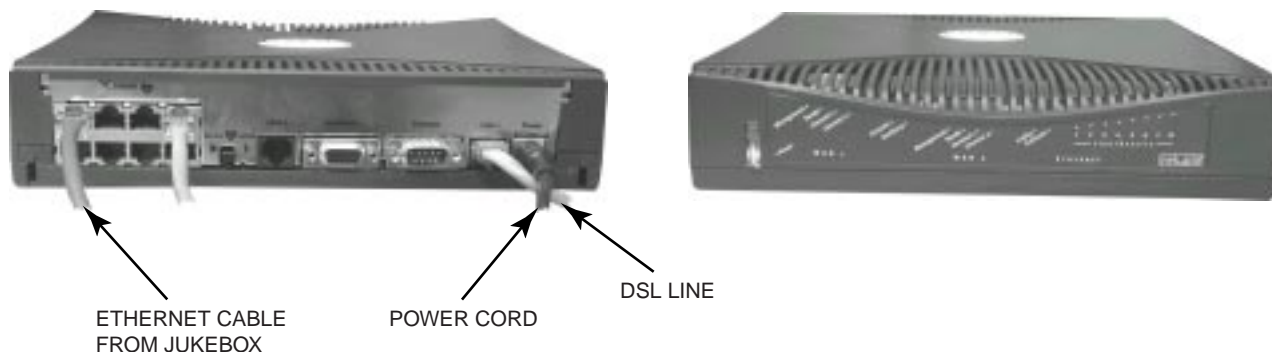


FIGURE 3-1



#### NOTE:

Please see “Ethernet Cable Pin Out and Instructions” in order to build a custom network cable at the venue.

### Step 2. Provide Power to the Unit

The unit ships with a 6-foot power cord designed to plug into a standard grounded wall outlet. The DLW-1 requires 120 VAC power that is ON 24 hours a day for daily communication with the network. The communication updates software and albums, and verifies that the DLW-1 is functional. Most updates occur when the venue is closed. The DLW-1 will stop working if there is no communication with the network for 7 days.

### Step 3. Connect the Extension Speakers

See “Sound System Setup”

### Step 4. Optional:

Remove the Volume Control Unit from the phonograph. Mount the Volume Control Unit remotely. Connect the 6 conductor modular cable to the Volume Control Unit and the Rowelink Controller. The top access hole in the phonograph rear provides easy access to the Rowelink Controller.

### Step 5. Power on the Jukebox

- Plug the AC power from the back of the jukebox into a standard, grounded wall outlet and check that the system power supply POWER switch is in the ON position.
- Press the red button (figure 2-1) at the front left of the UPS. The UPS will beep once and a green LED will light to indicate it is on.
- If the CC does not start automatically, press the CC ATX power button (see figure 2-2) in once and release. This boots up the CC and starts the application.

## ETHERNET CABLE PIN OUT AND INSTRUCTIONS

Part of the jukebox installation process requires making a custom Ethernet cable, as the cable length will be unique to each venue. This cable will be run between the jukebox and router. This customization will save costly cable and result in a neater installation process.

To install the cable you will need:

- Category 5 UTP cable (eight conductor data cable with 4 pairs unshielded twisted wires)
- RJ-45 plugs and a Telco crimping tool
- Cable testing device (optional but recommended)

Refer to the following directions to make a “straight through” cable where pin 1 on one end corresponds to pin 1 on the other end.

- Step 1. Cut back 1” of the outer, plastic covering to reveal 4 twisted pairs and some insulation material. If you partially cut some of the wires, cut them all off and start over. Each pair is a solid color wire twisted with a striped white and same color wire.
- Step 2. Cut out the insulation material to the bottom of the removed plastic.
- Step 3. Untwist each pair no more than 1 cm and lay them flat together pinched between your fingers in the following order according to figure 3-2.
- Step 4. Hold the 8 wires together and cut them at the top to make them all the same length. The length of the wires should be slightly shorter than the length of the connector so that the cut plastic just fits inside the connector.
- Step 5. Hold the RJ-45 Ethernet plug head in your other hand with the hook faced down. Slide the wires into the connector head. Pay careful attention that the wires stay in the above order and fit into their own slots. All wires must hit the end of the plug.
- Step 6. Slide the connector head into the RJ-45 crimping tool and squeeze down hard. Looking at the side of the plug and check that the metal contacts went into the wires. If not, squeeze down again.
- Step 7. Repeat the above steps for the other end (same pin out scheme).
- Step 8. Use the cable testing device to assure that the cable was built correctly.

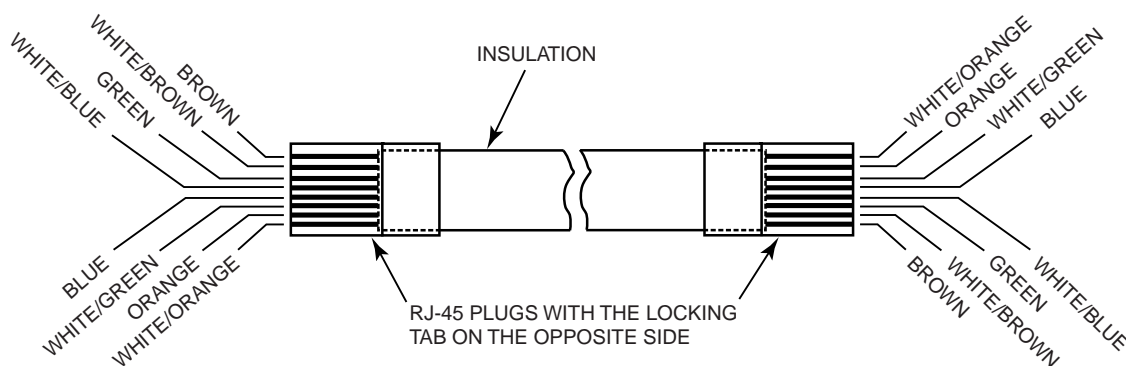


FIGURE 3-2  
ETHERNET CABLE

## SOUND SYSTEM SETUP

### Extension Speaker Operation

To avoid a poor sounding jukebox, care must be taken when adding extension speakers. Two requirements must be met:

1. Speakers must be wired so that the power consumed by the extension speakers do not exceed the amplifier power rating. After wiring the speakers, perform an Amplifier Overload Check.
2. All speakers must be connected with the correct polarity.

#### NOTE



The 70 V phasing is reversed inside the output transformers. See figure 3-7 for correct polarity hookup of extension speakers. If the (+) and (-) terminals are not wired properly, the speakers will be out of phase, causing a reduction in low frequencies (bass).

Several charts have been included to assist you with connection of the extension speakers. Figure 3-7 shows the entire sound system.

### 70 volt Speakers

To avoid prohibitive cable losses on long speaker lines (over 100 feet), use 70 V speakers. The power level in the 70 V speakers is set at each speaker. 250 watts of the 1000 watts is provided for 70 V speakers by A1, A2 connections on the audio output transformer assembly.

**NOTE:** 1000 watts can be connected if you configure the amplifier for stereo and connect 70 volt speakers E7 to E7.

### Low Impedance Speakers

Low impedance speakers (8 or 4 ohm) can be used when the connecting cable is less than 100 feet.

#### 4 ohm Speakers (Parallel Connections)

No more than one 4 ohm speaker should be connected to a speaker line. If several 4 ohm speakers are to be used, each speaker should have its own line.

#### 8 ohm Speakers (Parallel Connections)

The loss in 100 feet of 18 gauge zipcord feeding on 8 ohm speaker is 15%. The loss for two 8 ohm speakers is 30%.

#### NOTE



In any speaker installation, the total speaker load (the sum of all power to all speakers) must not exceed 1000 watts per amplifier. The phonograph has an audio output transformer assembly rated 250 watts (125 per channel) for connecting 70 V speakers, or connecting extension speakers to taps. The sum of all power to 70 V speakers and tapped speakers must not exceed 250 watts.

## Table 3-1 Extension Speaker Worksheet

### Sheet 1

## SELECTING SPEAKER POWER

### General Instructions

This section will lead you through the power and speaker selection process. This process consists of four major steps and several smaller steps. The major steps are:

1. Identifying the extension speakers and computing the extension speaker power.
2. Making the external speaker connections.
3. Performing an amplifier overload check per table 3-2B.

### Selection Procedures

1. Use a pencil (you may want to revise your figures) to fill in the work sheet on the following pages:

Extension speakers are available in these general categories: General purpose speakers (4 and 8 ohm speakers) and 70 V speakers.

Use this worksheet to help you calculate the amount of power consumed by the extension speakers.

Use this worksheet as a guide to help you select which power tap to use for each type of external speaker you are using. An extension speaker RMS power rating should be at least 10% higher than the power it will consume at max phonograph volume.

When RMS power to speaker at max phonograph volume is	Then recommended RMS power rating of speaker is
250 watts	300 watts
125 watts	150 watts
62.5 watts	75 watts
31.25 watts	40 watts

### Extension speakers connected to E1 - E7

Place the quantity of speakers in the blank under QTY and multiply the quantity times the power consumption (show stereo speakers as 2 speakers). Place your results in the blank under TOTAL.

	QTY		Total
Two 8 ohm speakers in series: (31.25 watts to each speaker)	_____	at 62.5 watts per series =	_____watts
Two 4 ohm speakers in series: (62.5 watts to each speaker)	_____	at 125 watts per series =	_____watts
8 ohm speakers:	_____	at 125 watts each =	_____watts
4 ohm speakers:	_____	at 250 watts each =	_____watts

## Table 3-1. Extension Speaker Worksheet

### Sheet 2

#### 4-OHM SPEAKERS CONNECTED TO TRANSFORMER TAPS

Place the quantity of speakers in the blank under QTY and multiply the quantity times the power consumption (show stereo speakers as 2 speakers). Place your results in the blank under TOTAL.

#### 4-Ohm Stereo Speakers connected to transformer taps

	QTY	Total	Connections
Speakers for the 1 watt taps:	____ at 1 watt each =	____ watts	(E1 to E2)
Speakers for the 4 watt taps:	____ at 4 watts each =	____ watts	(E1 to E3)
Speakers for the 16 watt taps:	____ at 16 watts each =	____ watts	(E1 to E4)
Speakers for the 36 watt taps:	____ at 36 watts each =	____ watts	(E3 to E5)
Speakers for the 49 watt taps:	____ at 49 watts each =	____ watts	(E2 to E5)
Speakers for the 64 watt taps:	____ at 64 watts each =	____ watts	(E1 to E5)
Speakers for the 100 watt taps:	____ at 100 watts each =	____ watts	(E3 to E6)
Speakers for the 121 watt taps:	____ at 121 watts each =	____ watts	(E2 to E6)



## Table 3-1. Extension Speaker Worksheet

### Sheet 3

### 8-OHM SPEAKERS CONNECTED TO TRANSFORMER TAPS

Place the quantity of speakers in the blank under QTY and multiply the quantity times the power consumption (show stereo speakers as 2 speakers). Place your results in the blank under TOTAL.

#### 8-Ohm Stereo Speakers connected to transformer taps

	QTY		Total	Connections
Speakers for the .5 watt taps:	_____	at .5 watt each =	_____watts	(E1 to E2)
Speakers for the 2 watt taps:	_____	at 2 watts each =	_____watts	(E1 to E3)
Speakers for the 8 watt taps:	_____	at 8 watts each =	_____watts	(E1 to E4)
Speakers for the 18 watt taps:	_____	at 18 watts each =	_____watts	(E3 to E5)
Speakers for the 24 watt taps:	_____	at 24 watts each =	_____watts	(E2 to E5)
Speakers for the 32 watt taps:	_____	at 32 watts each =	_____watts	(E1 to E5)
Speakers for the 50 watt taps:	_____	at 50 watts each =	_____watts	(E3 to E6)
Speakers for the 72 watt taps:	_____	at 72 watts each =	_____watts	(E1 to E6)
Speakers for the 95 watt taps:	_____	at 95 watt each =	_____watts	(E3 to E7)

### 70-VOLT SPEAKERS

70-volt speakers have a power tap on them or on their associated transformer. Add together all of the 70-volt speaker tap settings and enter that value:

\_\_\_\_\_watts (A1 to A2)

## Table 3-1. Extension Speaker Worksheet

### Sheet 4

#### Combine consumptions of all speakers:

	Stereo	Mono	
Connected to E1 - E7	_____	_____	
Tapped 4-Ohm:	_____	_____	Sum of tapped and A1, A2 70 Volt must not exceed 250
Tapped 8-Ohm	_____	_____	
70-Volt A1, A2	_____	_____	

	Stereo	Mono	Grand Total
Totals:	_____	+ _____	= _____

#### NOTE



In any speaker installation, the total RMS speaker load (the sum of all power to all speakers) must not exceed 1000 watts. It is strongly recommended that "Efficient" extension speakers are used.

1. The Grand Total is the amount of power that the phonograph will need to supply to the extension speakers. This amount must not exceed 1000 watts. If it is more than 1000 watts, you must reduce the power used by the extension speakers to reduce the total power consumed, then recalculate the total power consumed.
2. When you have reached a satisfactory combination of speakers and speaker power consumption, use the CONNECTION column (the connections are in parentheses) as a wiring guide to make the actual connection. The speaker terminal strips on the output transformer (refer to figure 1-1) are accessed by opening the front door of phonograph. Refer to figure 3-7 for typical examples of speaker connections.

#### NOTE



The amplifier may be connected to a load of 1000 watts before distortion will begin to increase beyond specification.

**Table 3-2A. Amplifier Overload Check**

Check that the amplifier is not overloaded by performing the following four steps:

1. Make sure that the extension speakers are connected to the proper speaker taps.
2. Set the volume control to 63 (maximum volume) and make a selection.
3. While the music is playing, if the OVERLOAD INDICATOR(S) stay OFF or occasionally flicker in a random manner, the load is acceptable. If the OVERLOAD INDICATOR(S) are always lit or flicker continuously, the amplifier is overloaded and will shut down, and you must perform Step 4.
4. Do this step only if the OVERLOAD INDICATOR(S) came on as described in Step 3. Find the source of the overload (shorted speaker wires, too many speakers connected, or speaker power taps too high). After you fix the short, disconnect a few speakers or lower the speaker power tap selection, then repeat Step 3.

---

<sup>1</sup> This value is the total for both channels. The power consumption for each channel is one-half of this value.

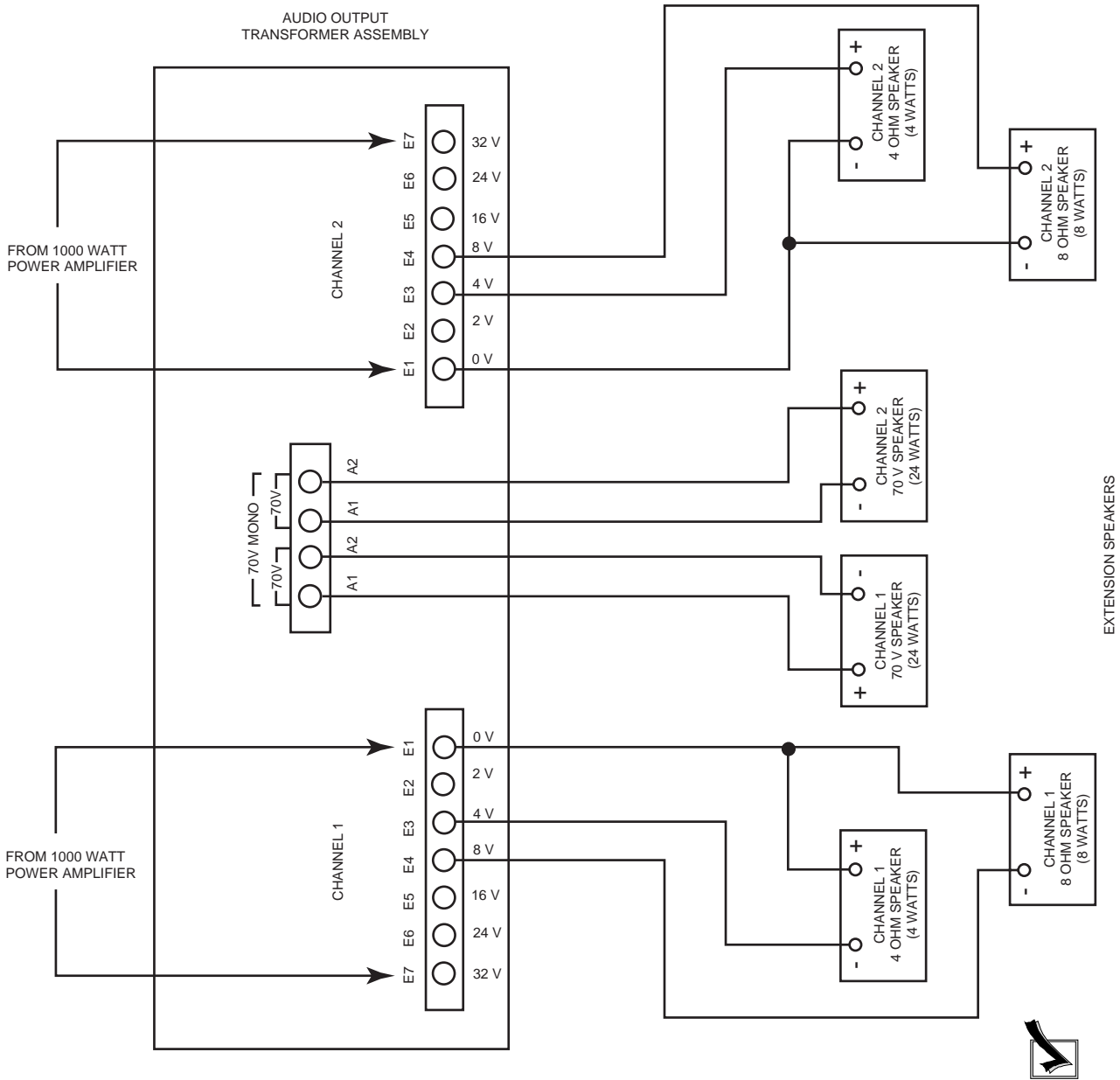
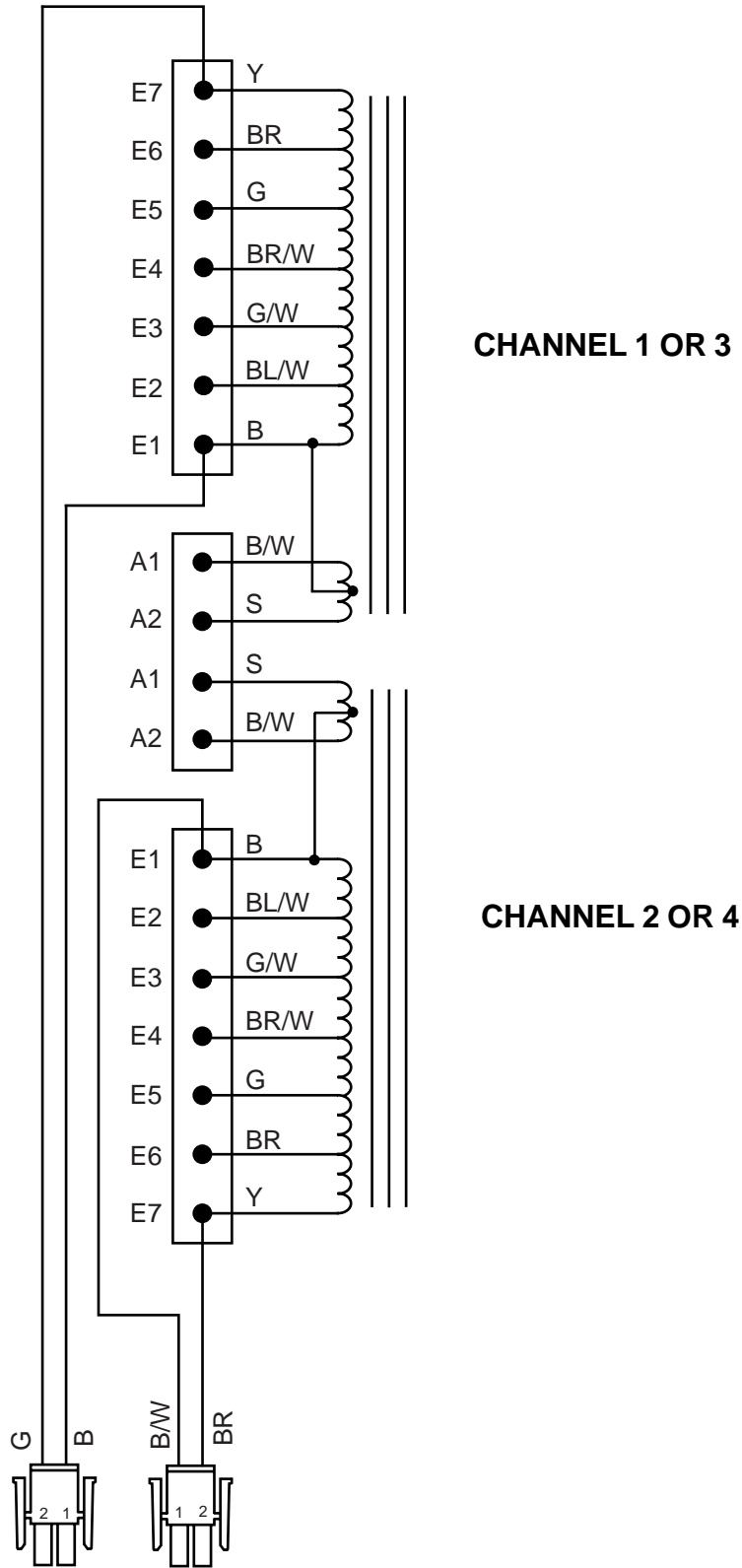


Figure 3-7. Speaker Connections

THIS PAGE INTENTIONALLY LEFT BLANK



40832108 TRANSFORMER WIRING DIAGRAM

THIS PAGE INTENTIONALLY LEFT BLANK

## SPEAKER SYNOPSIS

### **1000 WATTS OF RMS POWER PER AMPLIFIER OR 500 WATTS PER CHANNEL.**

The generic speaker wiring diagrams cover 4 to 32 speakers. Diagram 1 has a 4 speaker layout. If you only want the four speaker layout, then the maximum output of each speaker would have to be rated 4 ohms and capable of 300 watts.

Question: Why a 300 watt rating on the speaker?

Answer: Safety factor/life of speaker

These speakers are expensive, providing a lot of sound in a localized area which does not optimize the room sound.

A better way to distribute the sound is by adding more speakers. Diagram 2 has a layout of 8 speakers at 8 ohms each and only having a rating of 150 watts each, which includes a safety factor. The expense factor should now be less for each speaker.

For a really big room, Diagram 3 may be the best scenario. Diagram 3 shows a series/parallel hookup with up to 16 speakers. The advantage is the ratings are 4 ohms at only 75 watts each. Thus giving you a lot of sound at a reasonable price. To ensure the speakers work correctly, the 2 wired in series should be of the same make and model. Different models wired in series will not give equal outputs, and the frequency response may be strange.

Question: Too many speakers now?

Answer: Simply leave off as many speakers as you wish, as long as it is 2 at a time, which means a series combo combination.

To minimize cost, it is recommended to utilize Diagram 4. This shows 32 speakers, their rating only has to be 8 ohms at 50 watts. This allows you to use inexpensive speakers which can be found at the big electronic stores. This also provides you the chance to A/B them for sound. Try also to get the most efficient speakers.



EACH SPEAKER OUTPUT IS 250 WATTS

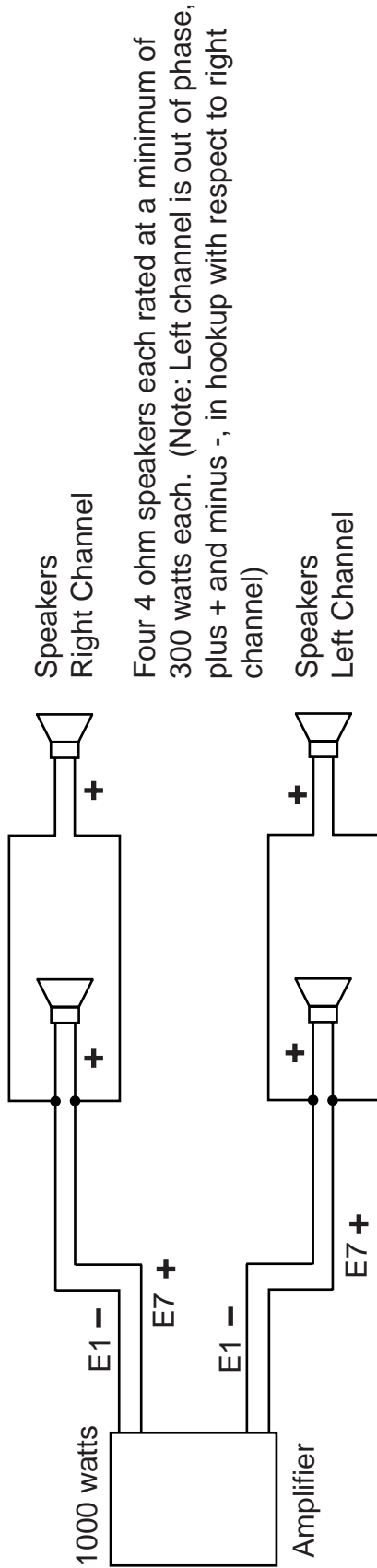
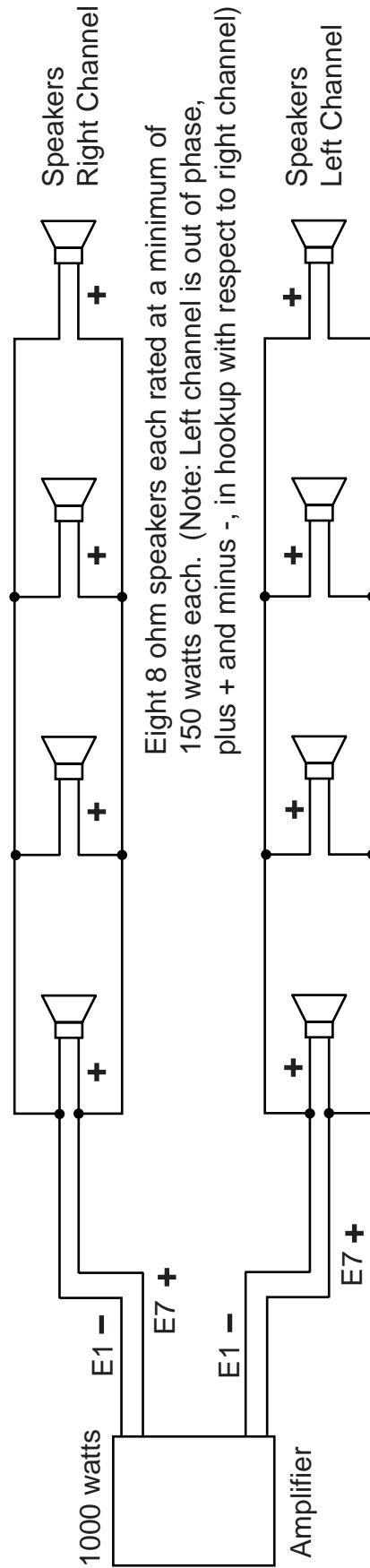
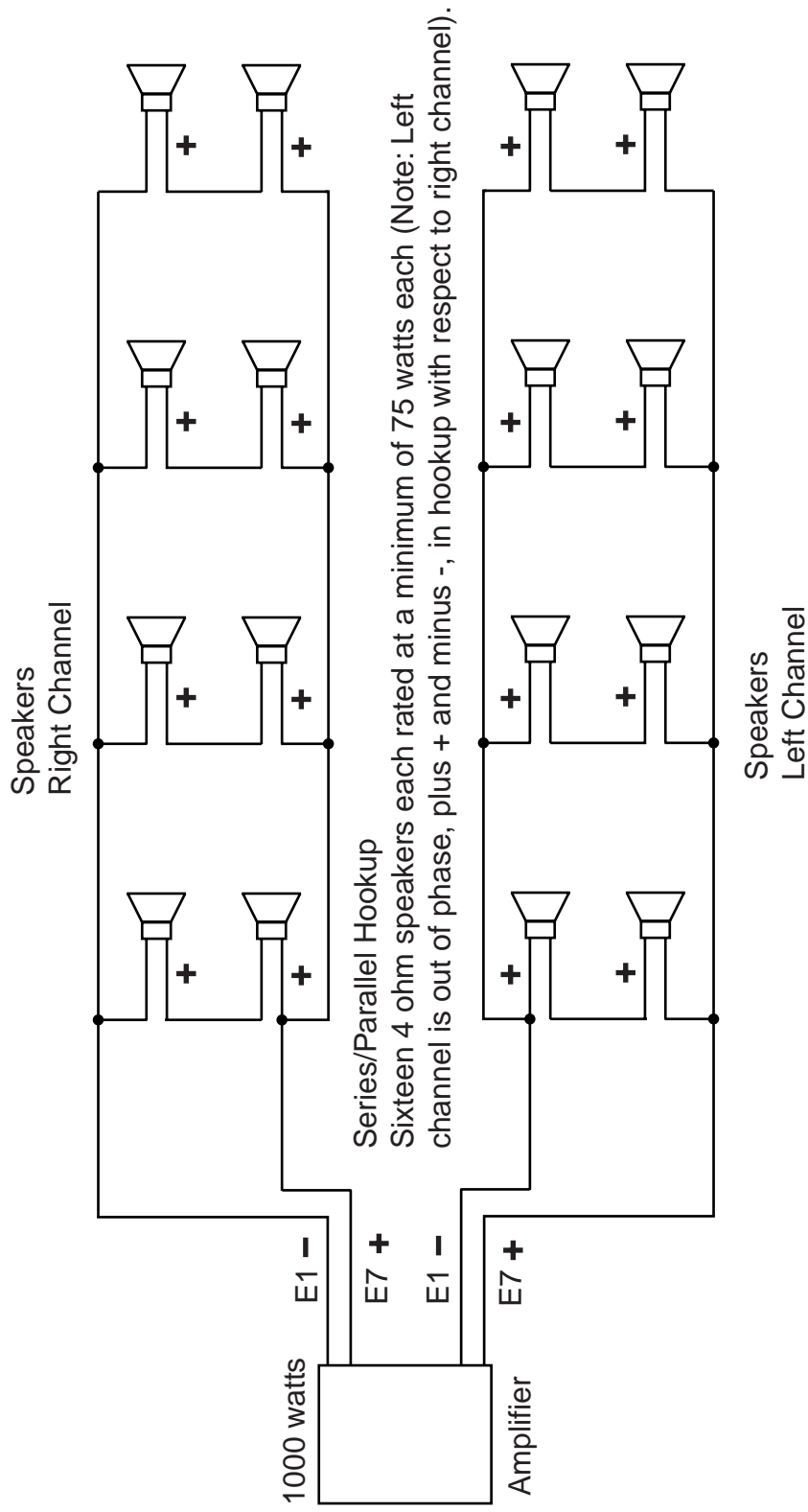


DIAGRAM 1



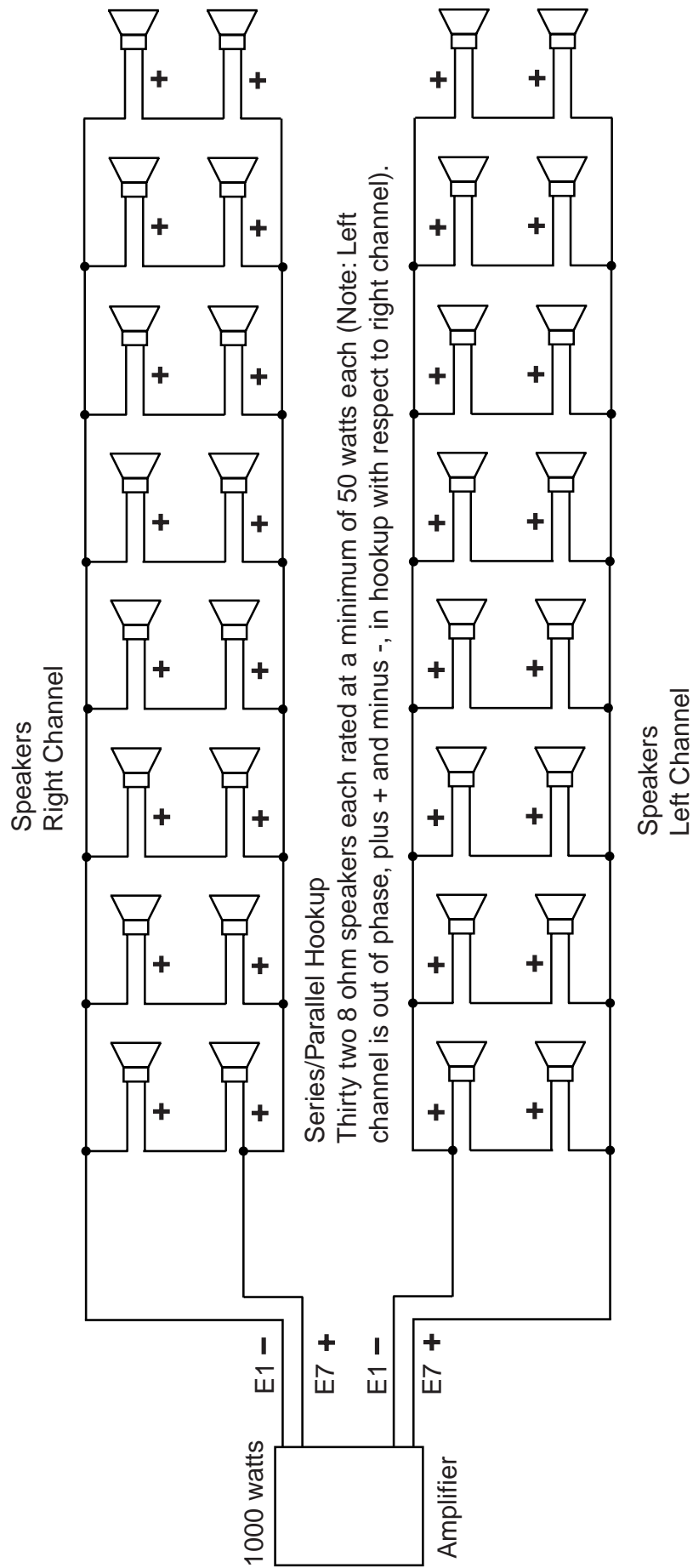
EACH SPEAKER OUTPUT IS 125 WATTS

DIAGRAM 2



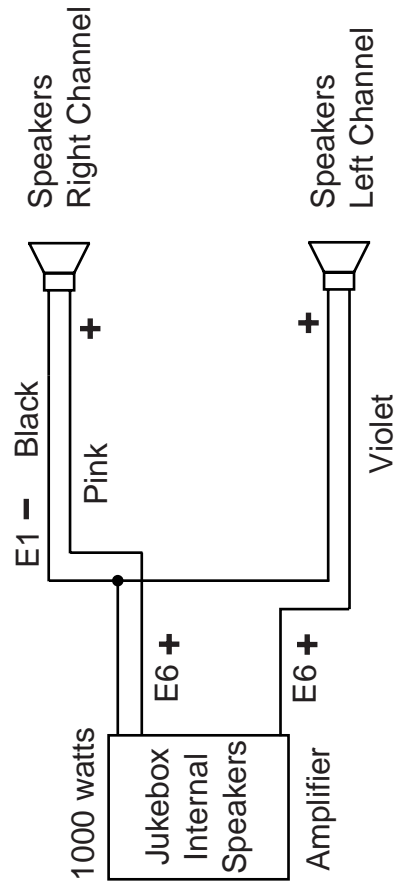
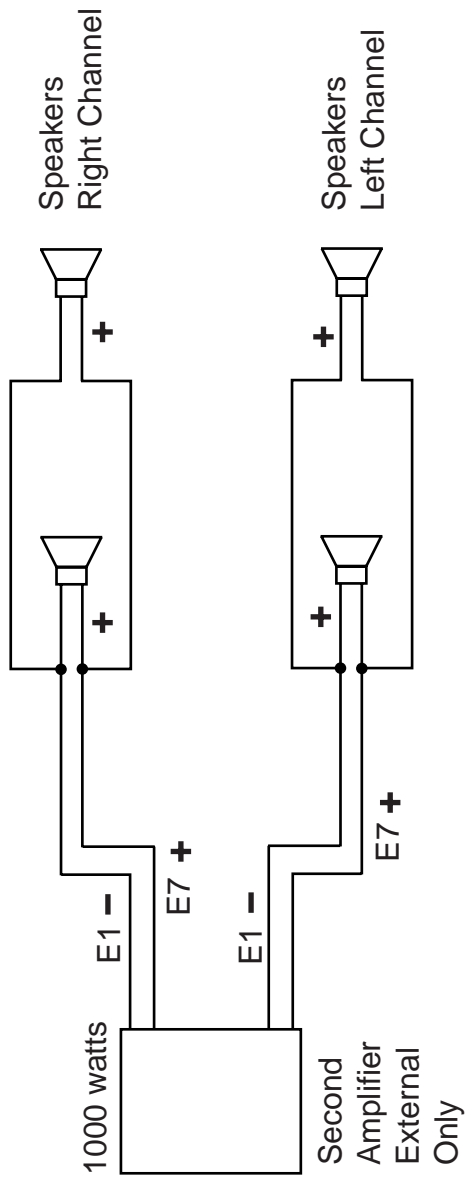
EACH SPEAKER OUTPUT IS 62.5 WATTS

**DIAGRAM 3**



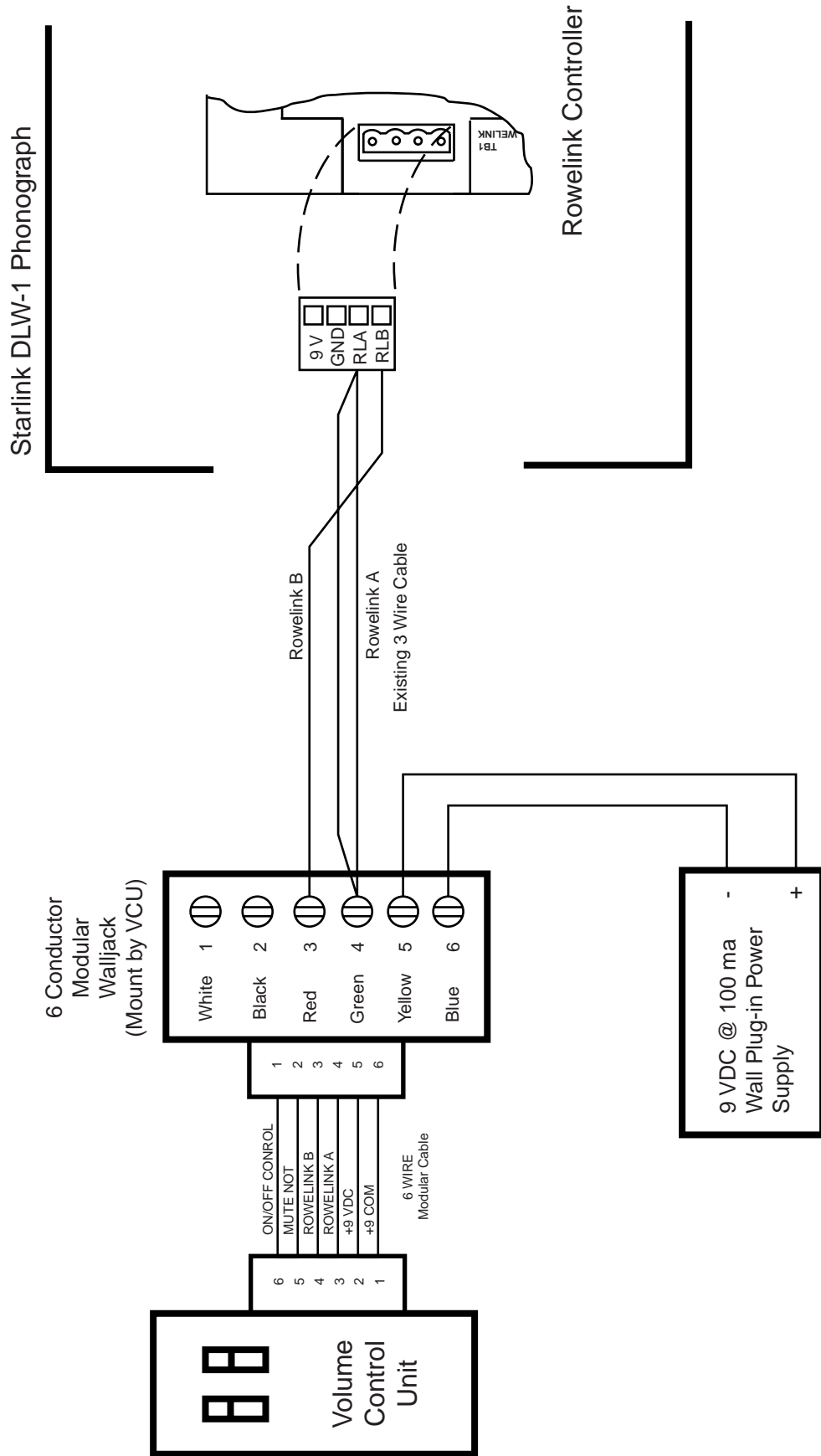
EACH SPEAKER OUTPUT IS 31.25 WATTS

**DIAGRAM 4**

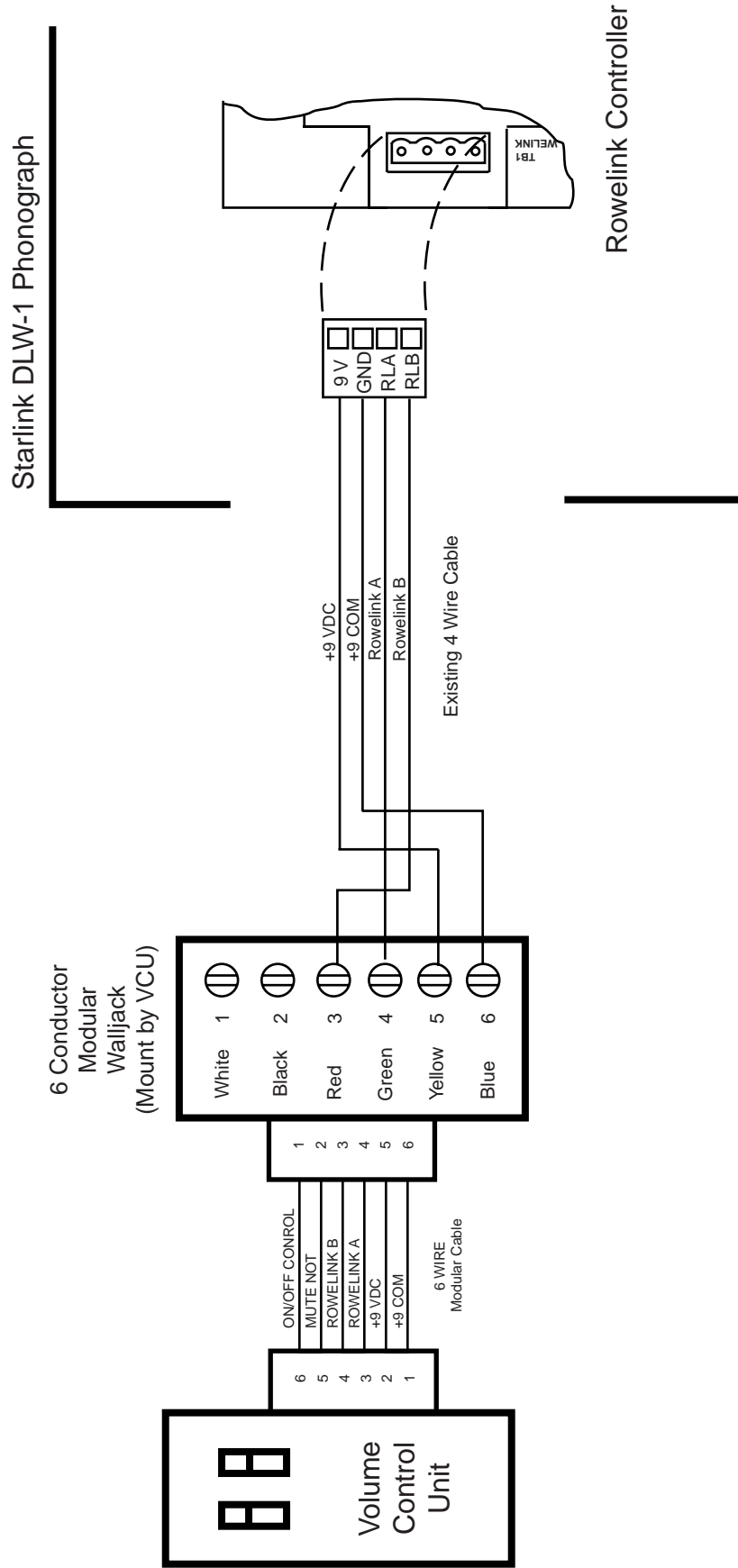


Pink and Violet connect to E6 as shown  
 Black connects to E1

### How to remote the Volume Control Unit using existing 3-wire cable



### How to remote the Volume Control Unit using existing 4-wire cable



## **Section 4: Routine Service**

### **INTRODUCTION**

Routine and preventative maintenance is to be performed on your normal periodic service call. This section discusses how to collect money, perform the cash audit, and do preventive maintenance procedures. Changing music, collecting statistic figures, and changing other venue specific features can be done via the Extranet at the Operator's office or at the venue. Detailed instructions on how to use the Extranet are located in Section 8.

## COLLECTING MONEY

The following describes how to remove cash from the jukebox and record the non-resetting cash value.

- Step 1: Turn the jukebox lock and allow the jukebox to open.
- Step 2: Remove the cashbox and empty out all coins, then remove all bills from stacker.
- Step 3: Push COLLECT switch on Rowelink Controller. Collection Operator Screen shows cash (bills) and coin totals for current period and last period.
- Step 4: Push “Collect NOW” once. Current Period totals will transfer to Last Period totals; Last Period totals to All Periods; Current Period totals will be cleared.

**Operator Screen** built by **ROWE** powered by **ecast**

**Collection**  
Today's Date: 5/23/2001 3:51:26 PM

	Current Period	Last Period	All Periods
Period Began:	5/23/2001 3:51:26 PM	5/7/2001 12:04:38 PM	N/A
Period Ended:	N/A	5/23/2001 3:51:26 PM	N/A
Cash	\$0.00	\$1.00	\$2.00
Coin	\$0.00	\$1.00	\$2.00
Sub Total	\$0.00	\$2.00	\$4.00
Operator 60%	\$0.00	\$1.60	\$3.20
Ecast 20%	\$0.00	\$0.40	\$0.80
Free Credits	0	632	1184
Free Songs	0	0	0
Local Songs Played	0	-71	-8
Downloaded Songs Played	0	168	176
Total Songs Played	0	97	168

**Collect NOW**

**menu**


COLLECTION OPERATOR SCREEN



## PREVENTIVE MAINTENANCE

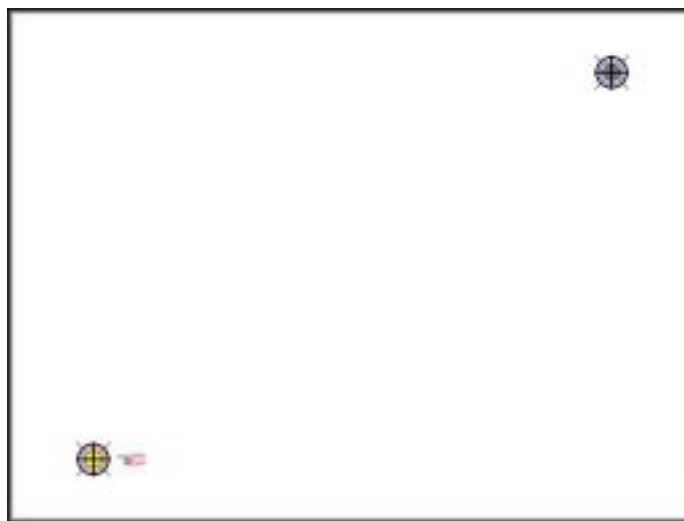
Preventive maintenance should be performed at regular intervals. At every visit, the exterior should be cleaned and the touch screen should be re-calibrated. Every 3-4 months, the interior should be cleaned.

### EXTERIOR

Part	Procedure
Touch Screen 	Clean with household glass cleaner and paper towel or clean cloth. <b><i>CAUTION: DO NOT SPRAY CLEANER ON THE TOUCHSCREEN. SPRAY CLEANER ON THE TOWEL, THEN CLEAN THE TOUCHSCREEN.</i></b> After cleaning the touchscreen it may not respond to touch for a few seconds.
Cabinet and Lenses	Cloth moistened in water with any mild cleaning product.
Calibration	Please see the following procedure.

The following procedure describes how to calibrate the touch screen:

1. Power on the DLW-1 Jukebox and boot up the application.
2. Open the front door of the jukebox.
3. Locate the “Calibration” button on the Rowelink Controller (see figure 2-3).  
Press the button in once to launch the calibration program. This will override the application while the program runs. See the screen shot below.
4. Close the front door and make sure it locks.
5. Follow the directions on the screen, touching the center of the targets, then touching YES.



CALIBRATION SCREEN

### INTERIOR

Part	Procedure
Bill Acceptor	Q-tip at acceptor lip dipped in Rubbing Alcohol to clear out any build up.

This page intentionally left blank

## Section 5: Troubleshooting

### INTRODUCTION

The DLW-1 Phonograph incorporates several modules which plug in for rapid service. The most likely cause of phonograph problems are:

1. Continuous or intermittent opens in a harness. The cause can be wiring, a terminal, or a bad terminal crimp.
  - Check that all plugs are firmly seated.
  - Check that connector pins are not bent, broken, or pushed through the back of connectors when mated.
2. A defective module. Troubleshooting procedures are directed at module replacement, not repair.

A summary of the functions for each of the phonograph's replaceable modules is in Section 1.

The troubleshooting topics presented in this section are:

- The DLW-1 LED's are described and can help you isolate a problem.
- A sequence of operation explanation, a Block Diagram (figure 5-1), and wiring diagram (figure 5-2) to help you isolate the problem to a harness or a module. The figures also show the Rowe part numbers of the harnesses and modules.
- Modular Troubleshooting Charts that list the Trouble, Symptom, and Probable Cause.

## DLW-1 LED'S

### POWER SUPPLY BOARD

#### **+9 V LED**

Should be on. On when +9 VDC is available at the Power Supply.

#### **+12 V LED**

Should be on. On when +12 VDC is available at the Power Supply.

#### **+24 V LED**

Should be on. On when +24 VDC is available at the Power Supply.

#### **VALID IR LED (optional)(mounted remotely)**

On POWER UP (+9 VDC applied to the ROWELINK CONTROLLER via the POWER SUPPLY) this LED flashes 3 times. It also flashes when a VALID IR Remote signal is seen.

### ROWELINK CONTROLLER

#### **5 VDC, 12 VDC, 24 VDC, and 24VAC LED's**

Should be on. On when there is power to the ROWELINK CONTROLLER via the HUB.

#### **IR RCV LED**

Flashes whenever any IR signal is seen by the IRRCVR (optional). May flash due to ambient light.

#### **KID RL TX LED**

Should be flashing \*\*. Flashes when the ROWELINK CONTROLLER sends an RL signal back to CORE COMPUTER. Rate is approximately ten times per second.

#### **CC RL RX LED**

Should be flashing \*\*. Flashes when ROWELINK CONTROLLER receives a RL signal from one of the ROWELINK devices. Appears almost continuously on (rate is more than 20 times per second).

#### **CC RL TX LED**

Should be flashing \*\*. Flashes when Rowelink Master Commands are sent from the Computer Core. Appears almost continuously on (rate is more than 20 times per second).

#### **CRDT RL TX LED**

Should be flashing \*\*. Flashes when the ROWELINK CONTROLLER sends a RL signal back to the CORE COMPUTER. Rate is approximately once per second.

#### **CRDT STATUS LED**

Will flash when a coin is inserted and the CRDT RL TX LED is flashing. May or may not flash when coin is inserted if the CRDT RL TX LED is not flashing.

### AV CONTROLLER (STUDIO SOUND ONLY)

#### **POWER LED**

Should be on. On when all 4 voltages are present (+5 V, +8.5 V, +15 V, -15 V).

#### **STATUS LED**

On Power Up (Power applied to the AV Controller) this LED flashes 3 times.

#### **ROWELINK LED**

Should be flashing \*\*. Flashes when the AV Controller sends a RL signal back to the ROWELINK CONTROLLER. Rate is approximately twice per second.

**VOLUME CONTROL (STUDIO SOUND ONLY)****PERIOD LED (on the 10's digit)**

Should be dimly flashing \*\* at a relatively fast rate. Flashes when Rowelink Master Commands are sent from the Computer Core via the ROWELINK CONTROLLER.

**PERIOD LED (on the 1's digit)**

Should be dimly flashing \*\* at a relatively fast rate. Flashes when the Volume Control sends a RL signal back to the ROWELINK CONTROLLER.

**POWER AMPLIFIER****YELLOW CLIPLLED**

Should be off. If on, the input signal to the Power Amplifier is too high, which will cause the output signal distortion to increase.

**RED OVERLOAD LED**

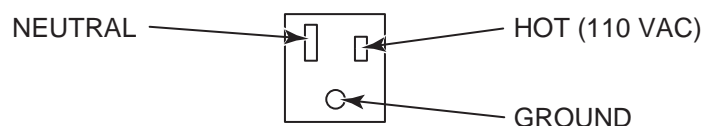
Should be off. If on, the speaker outputs are overloaded.

**UNINTERRUPTIBLE POWER SUPPLY****GREEN POWER ON LED (on top of UPS near the UPS Power Switch)**

Should be on. On when UPS is switched on and line voltage is present. Off if UPS is switched off, or if no line voltage is present. If UPS is switched off, push UPS power switch. If LED fails to come on, ensure 110 VAC line voltage is available.

**BUILDING WIRING FAULT LED**

Should be off. If on, check the 110 VAC line wiring at the wall receptacle. The wall receptacle needs to be wired as shown.



The hot is 110 VAC measured with respect to ground. The neutral is 0 VAC measured with respect to ground.

**COMPUTER CORE ASSEMBLY****+5 V LED**

Should be on. On when there is +5 V power available to the card reader.

**TX LED**

If there is an Ethernet connection, this LED flashes occasionally.

**LINK LED**

If there is an Ethernet connection, this LED should be on.

**RX LED**

If there is an Ethernet connection, this LED flashes occasionally.

**HARD DRIVE GREEN LED**

Should be on. On if the hard drive has power applied to it.

**HARD DRIVE YELLOW LED**

Should flash occasionally. Flashes if hard drive is being accessed.

\*\* When the COMPUTER CORE ASSEMBLY is powered up, then it may take several minutes for the ROWELINK LED's to start flashing.

## SEQUENCE OF OPERATION

Step 1: Power on the jukebox

- With the System Power Supply power switch in the ON position, plug the AC power from the back of the jukebox into a standard, grounded wall outlet. The fluorescent and neon lamps will light, and the Volume Control Unit (Studio Sound Only) display will show dashes.
- Press the red button at the top left of the UPS (figure 2-2). The UPS will beep once and a green POWER ON LED will light to indicate it is on.
- If the CC does not automatically start to boot-up, press the Reset/ATX power button (figure 1-1) in once and release.

Step 2: The operating system automatically begins to boot. The following is viewed on the monitor:

Low-level hardware checks

Windows 2000 Operating System Loads

DLW-1 Operating System Loads

Step 3: The user interface (figure 2-5) is viewed on the monitor. No music is in the queue, no selections are available and the amplifier is muted.

Step 4: Customer provides a form of payment. “Selections Remaining” displays a value greater than 0.

For cash:

- Bill Acceptor or Coin Acceptor takes the money
- Acceptor outputs pulse(s) to the Rowelink Controller (no escrow)
- Rowelink Controller sends money information to the computer via Rowelink
- Computer increases the credits accordingly
- “Selections Remaining” are changed on the application (monitor)

For credit:

- Credit card acceptor reads customer’s magnetic card
- A \$5 or \$10 option box is presented to the customer
- Acceptor outputs credit card information to the computer
- Computer passes information through the network (no credit card information is stored in the computer) to a card processing company
- Computer receives approval from the online credit card processing center and increases the credits accordingly
- “Selections Remaining” are changed on the application (monitor)

Step 5: Customer makes a song selection

For local music:

- Customer touches song name to make selection
- Touch screen sends selection information to the computer
- Cover art is sent to the track loop, the song falls into queue and 1 credit will decrement

For downloadable music:

- Customer touches song name to make selection
- Touch screen sends selection information to the computer
- Application prompts customer to approve that the selection will cost 1 extra credit
- “Download Now” icon is sent to the track loop and 2 credits decrement
- Computer begins to download song from internet to the local drive
- Song falls into queue once download is complete (may take 5-30 minutes depending on net work traffic and the number of downloaded songs selected before hand)

Step 6: Selection is played

- Computer sends a Rowelink message to the Audio/Video Controller (for Studio Sound) or the Rowelink Controller (for 2 Channel Preamp) to un-mute the amplifier.
- Song is located on the local computer hard drive, and played. Use Volume Control Unit to adjust volume.

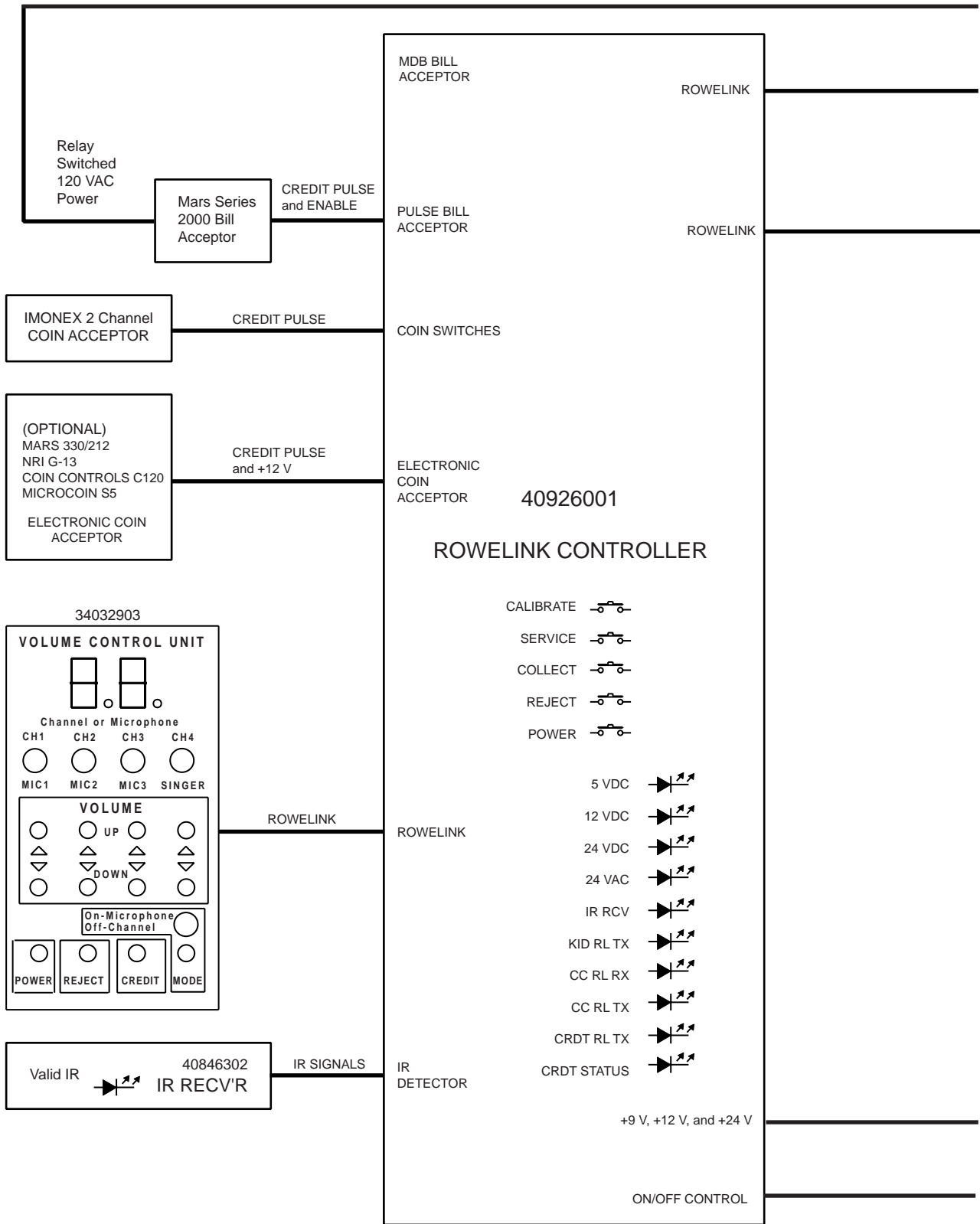


FIGURE 5-1  
DLW-1 STARLINK BLOCK DIAGRAM - STUDIO SOUND



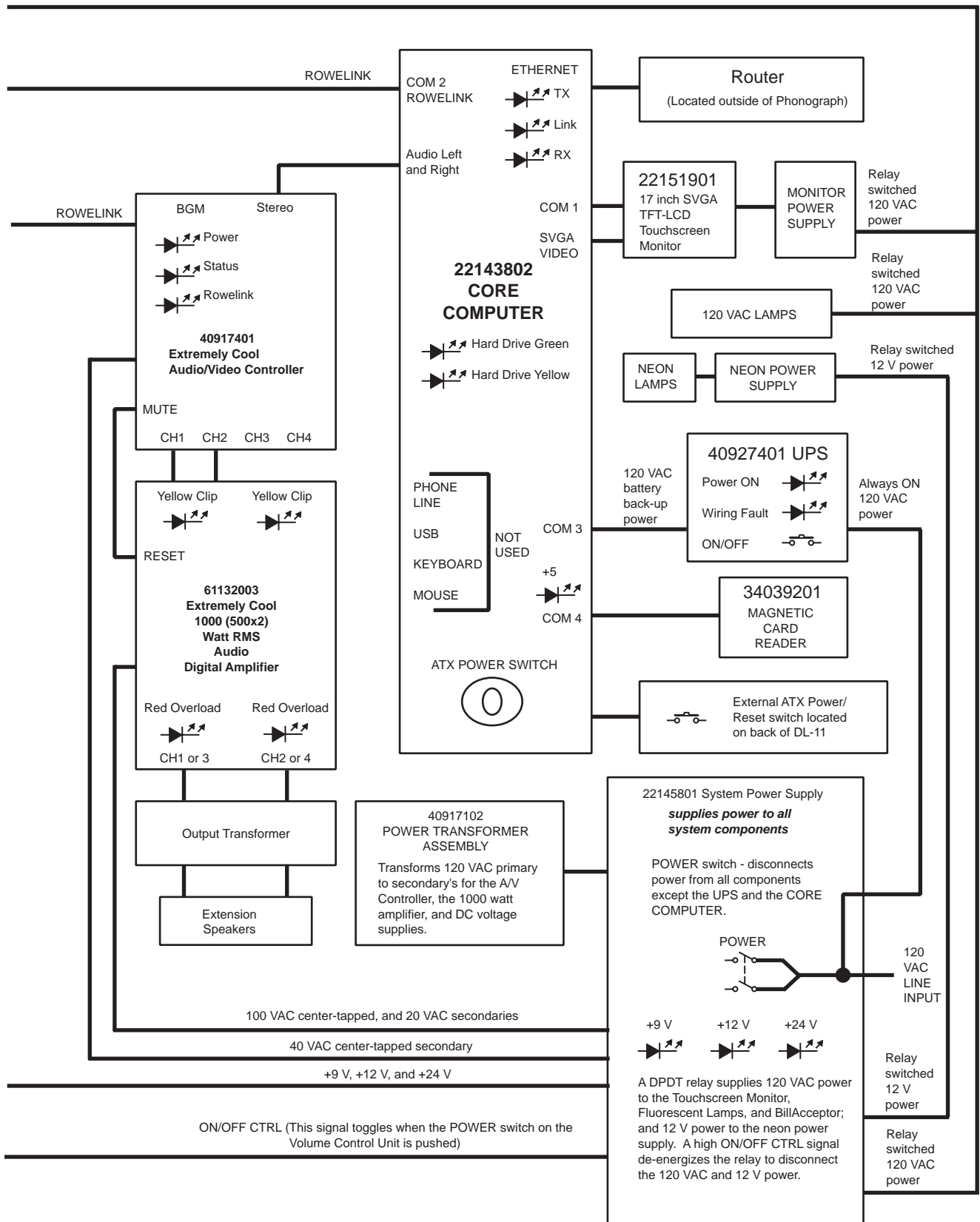


FIGURE 5-1  
DLW-1 STARLINK BLOCK DIAGRAM - STUDIO SOUND

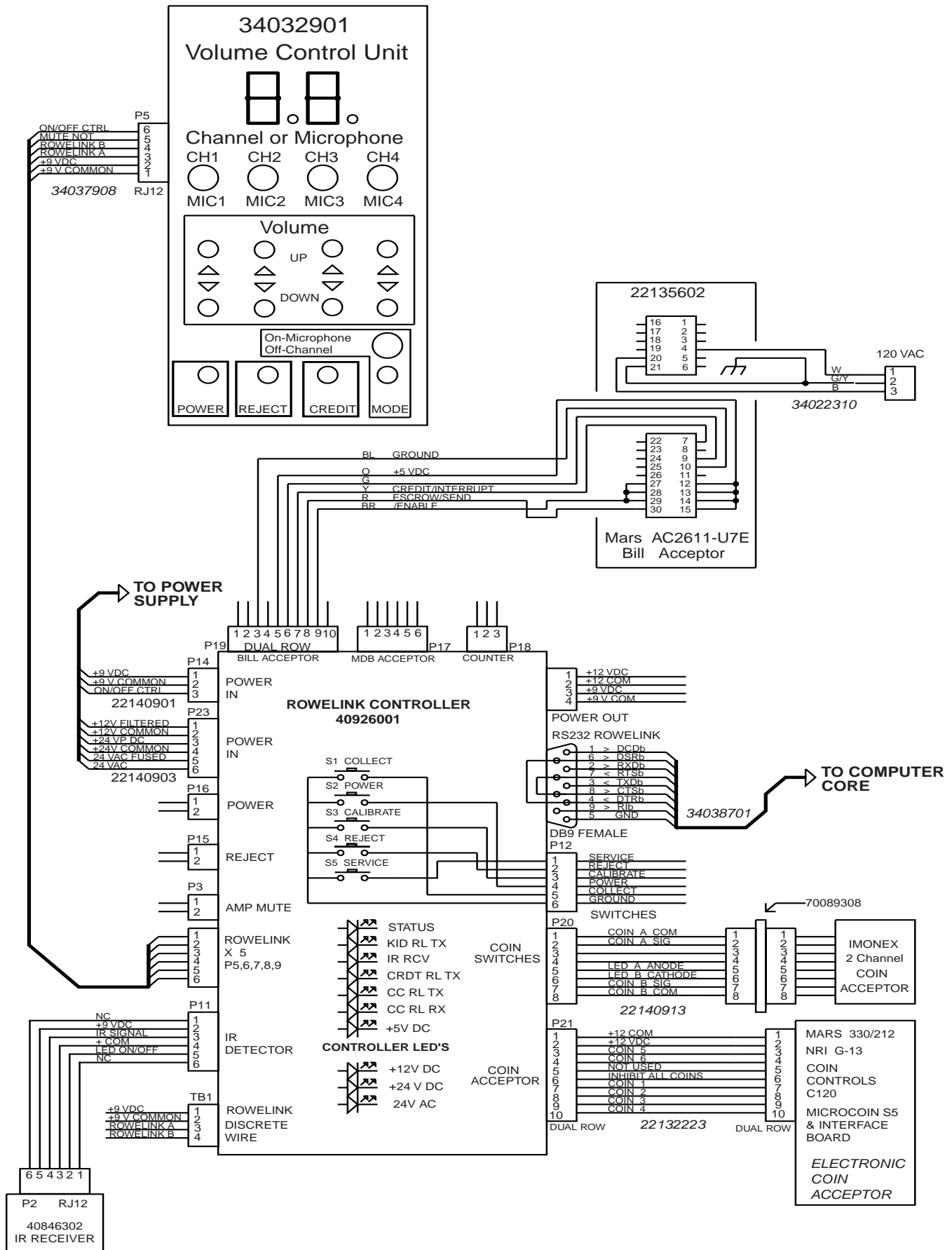


FIGURE 5-2  
DLW-1 WIRING DIAGRAM - STUDIO SOUND

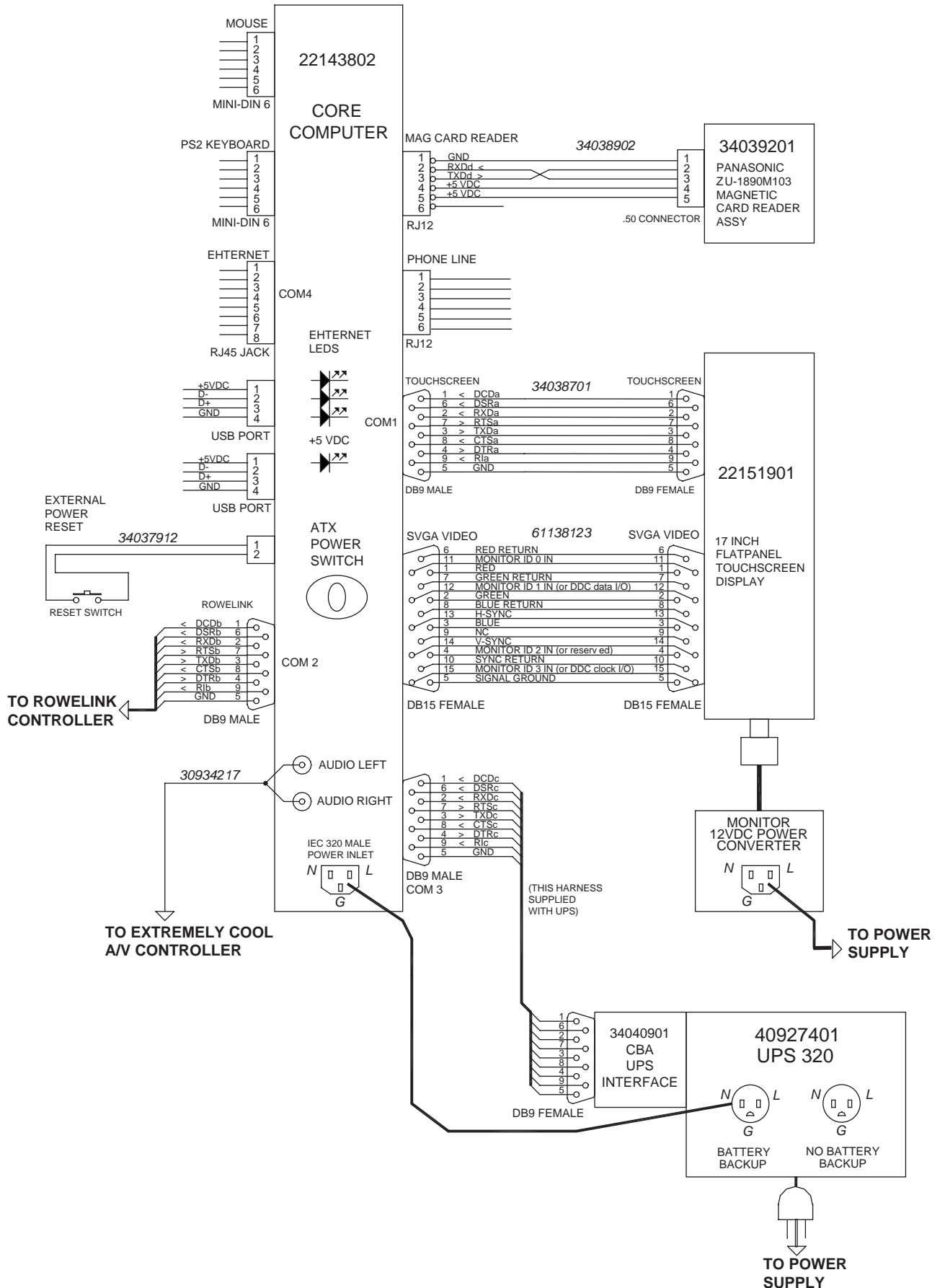


FIGURE 5-2 (continued)  
DLW-1 WIRING DIAGRAM - STUDIO SOUND

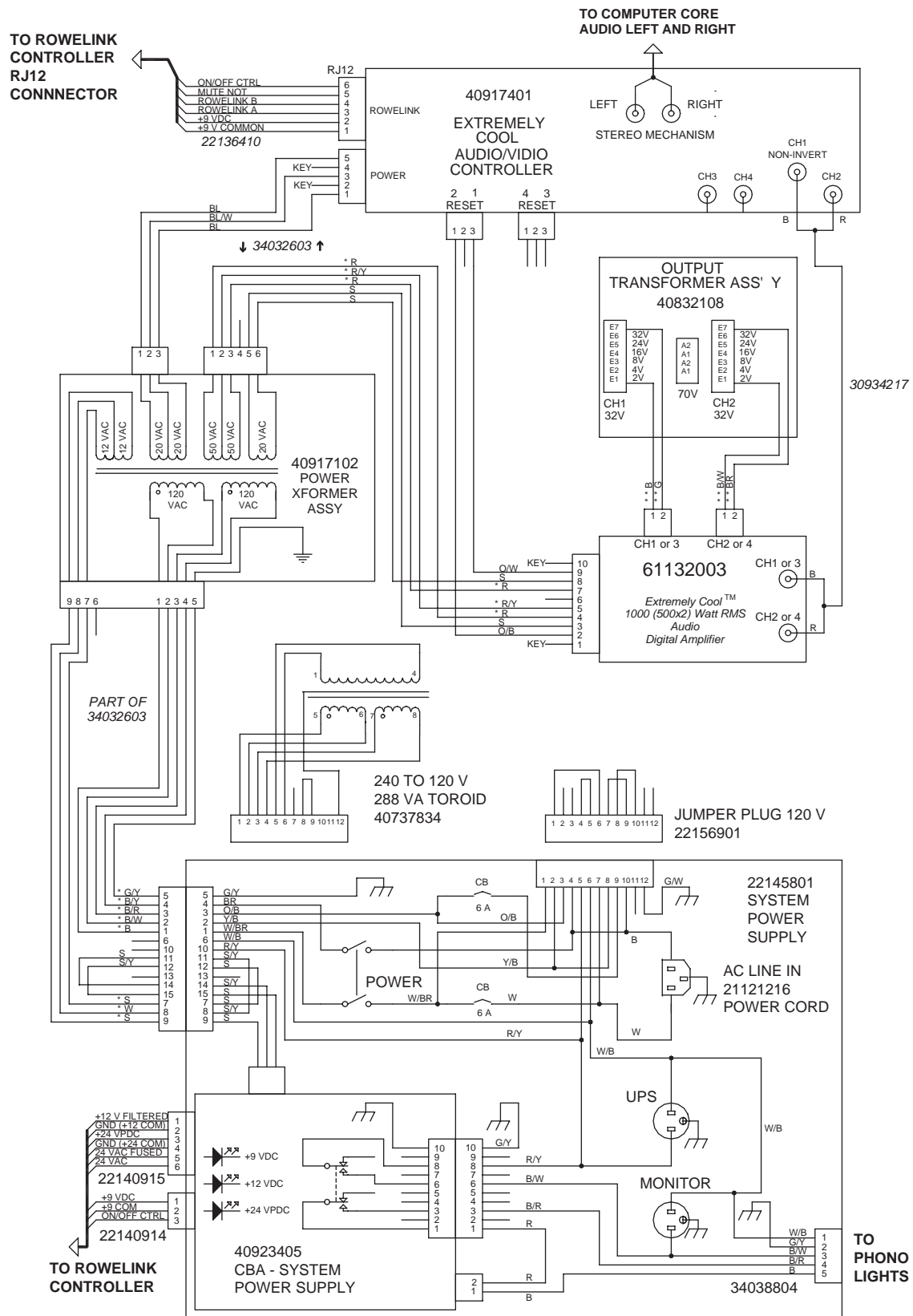


FIGURE 5-2 (continued)  
DLW-1 WIRING DIAGRAM - STUDIO SOUND

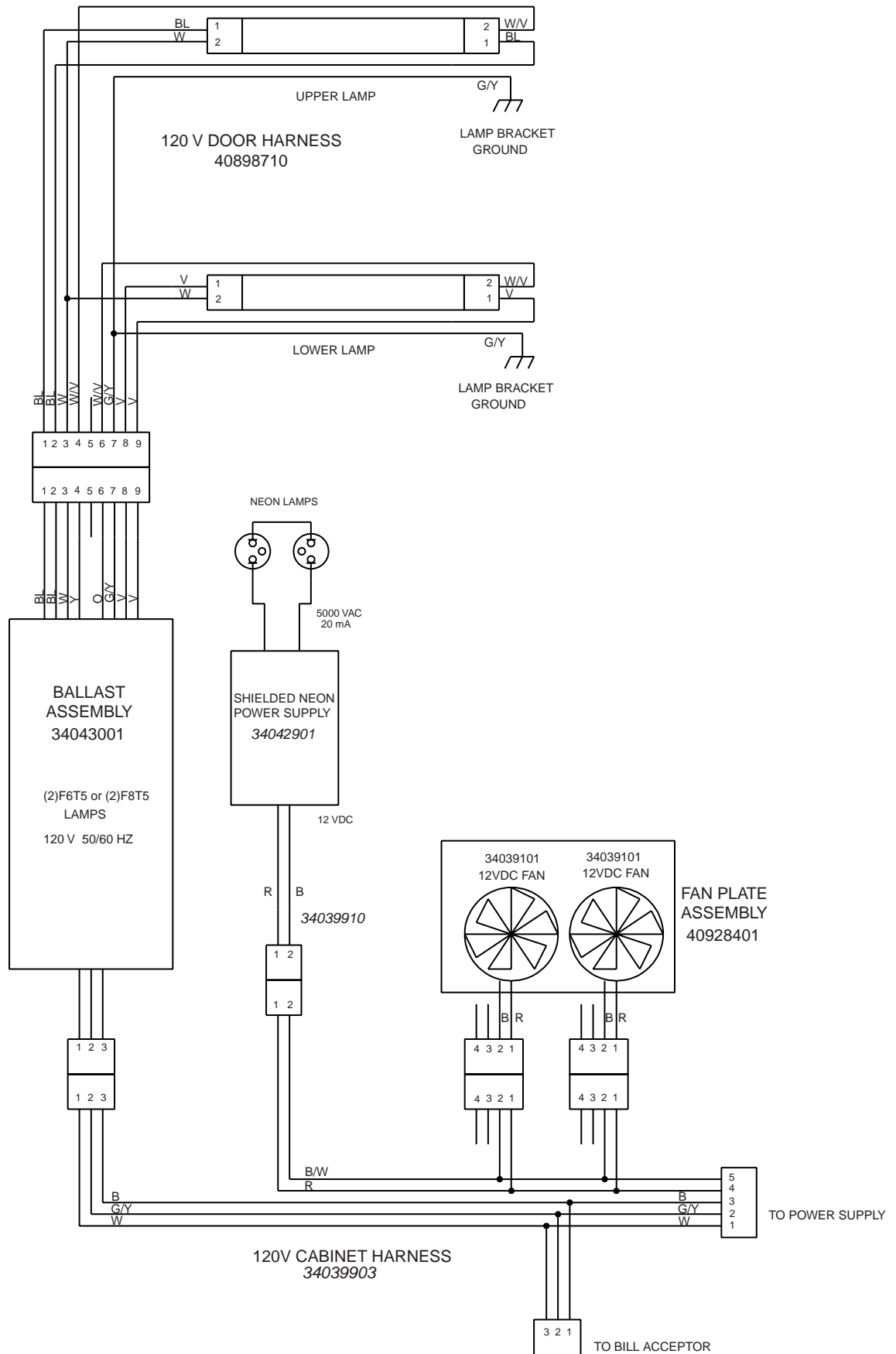


FIGURE 5-2 (continued)  
DLW-1 WIRING DIAGRAM - STUDIO SOUND

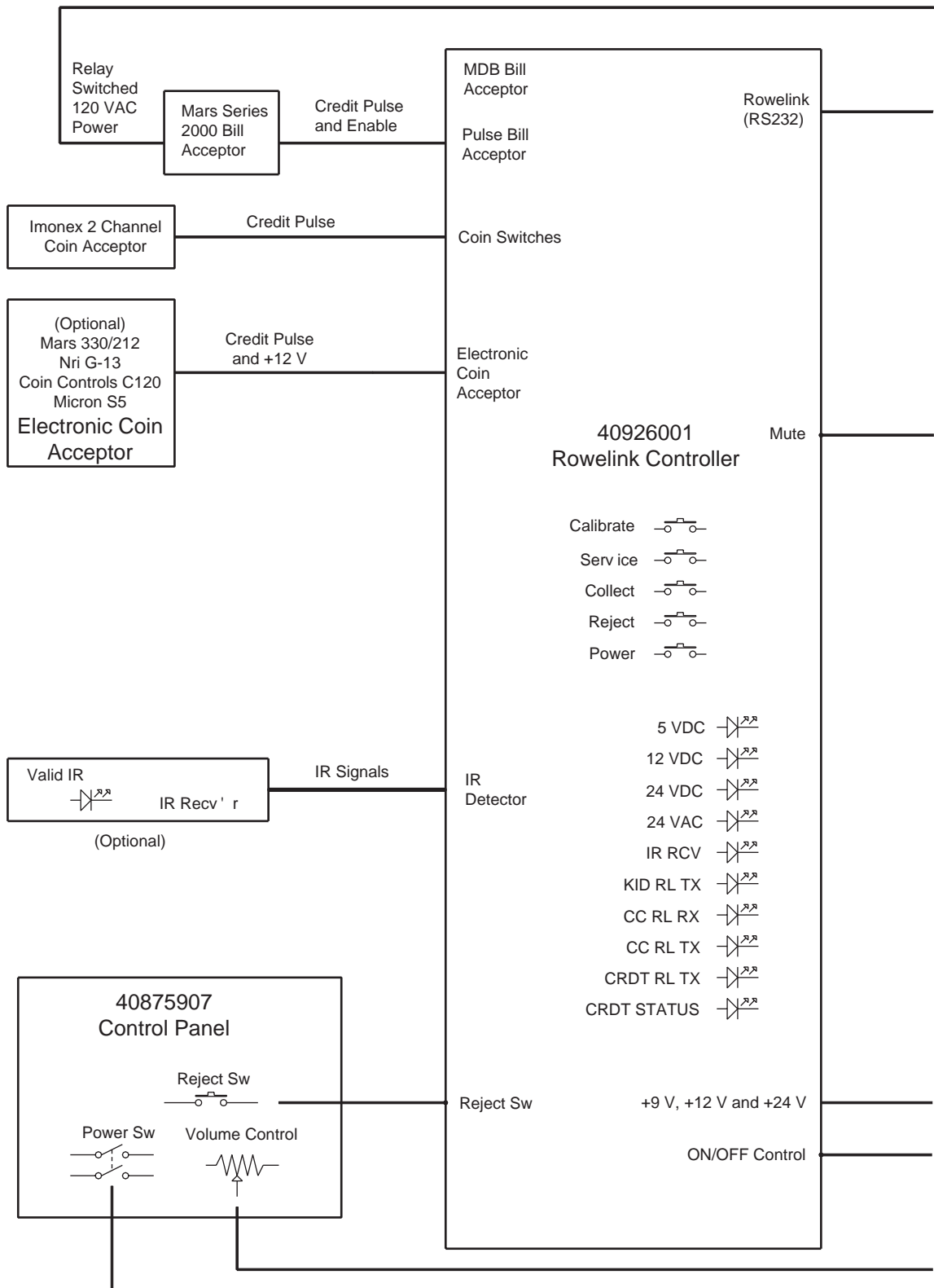


FIGURE 5-3  
DLW-1 BLOCK DIAGRAM - 2 CHANNEL PREAMP

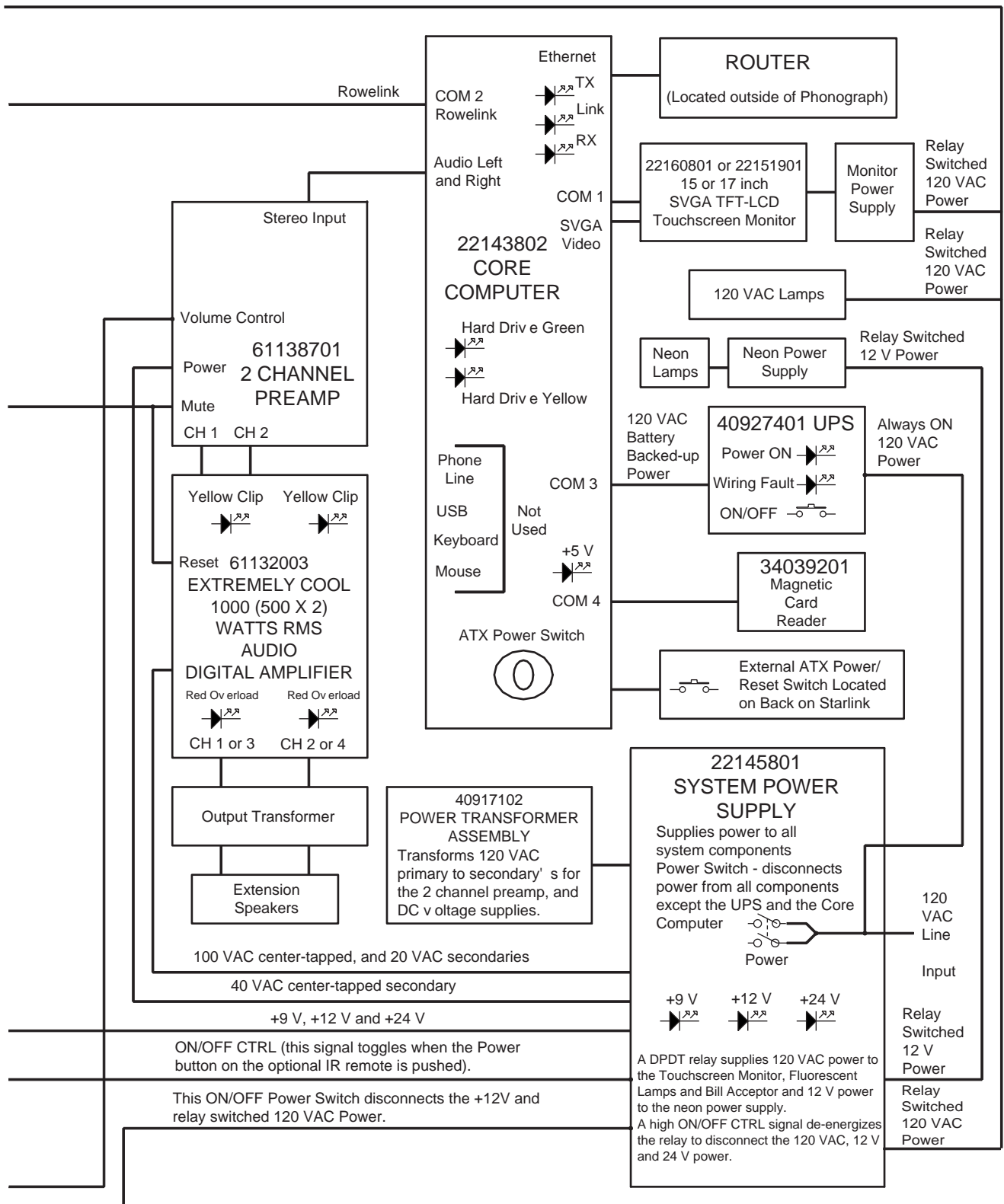


FIGURE 5-3 (continued)  
DLW-1 BLOCK DIAGRAM - 2 CHANNEL PREAMP

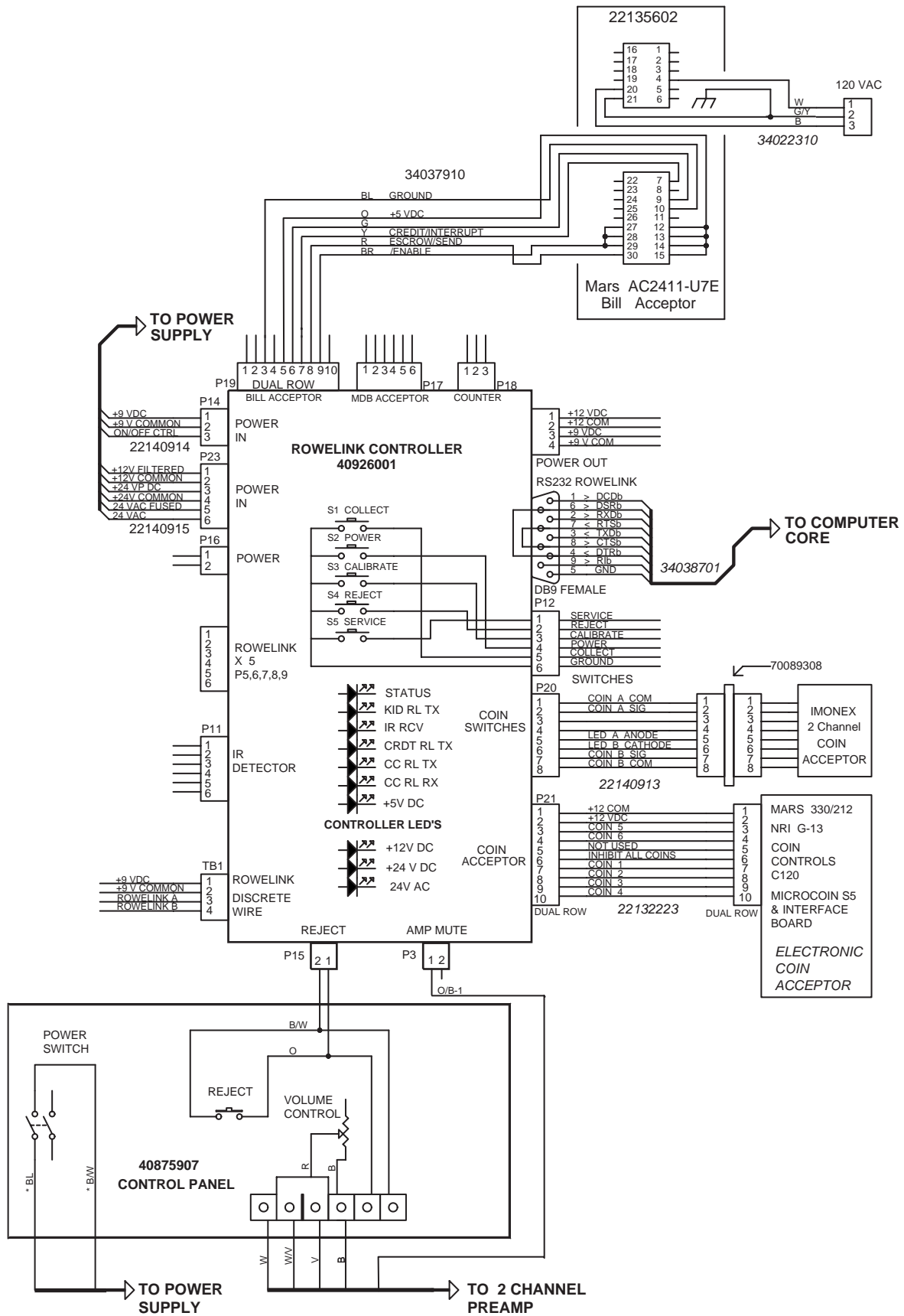


FIGURE 5-4  
DLW-1 WIRING DIAGRAM - 2 CHANNEL PREAMP



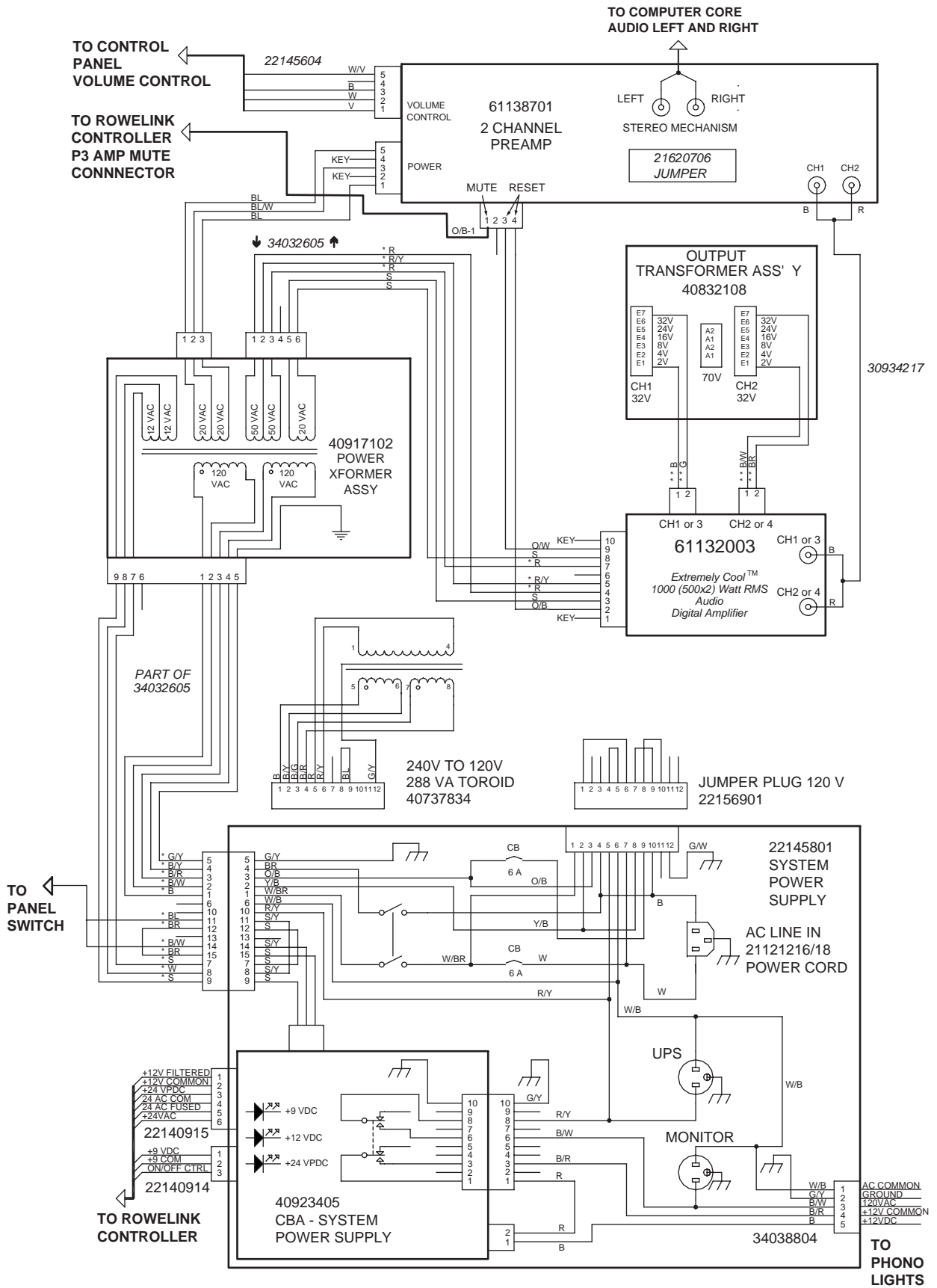


FIGURE 5-4(continued)  
DLW-1 WIRING DIAGRAM - 2 CHANNEL PREAMP

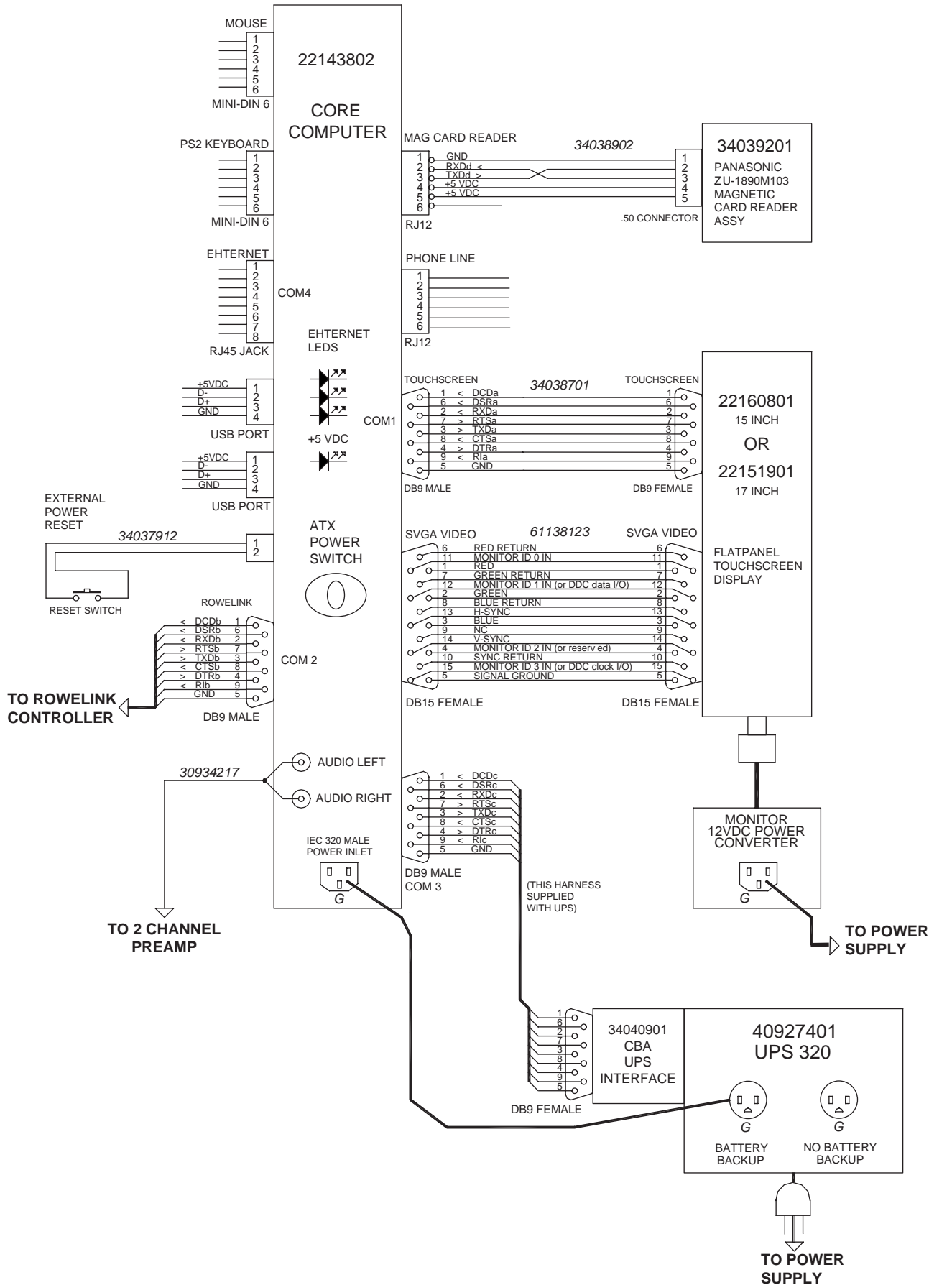


FIGURE 5-4 (continued)  
DLW-1 WIRING DIAGRAM - 2 CHANNEL PREAMP

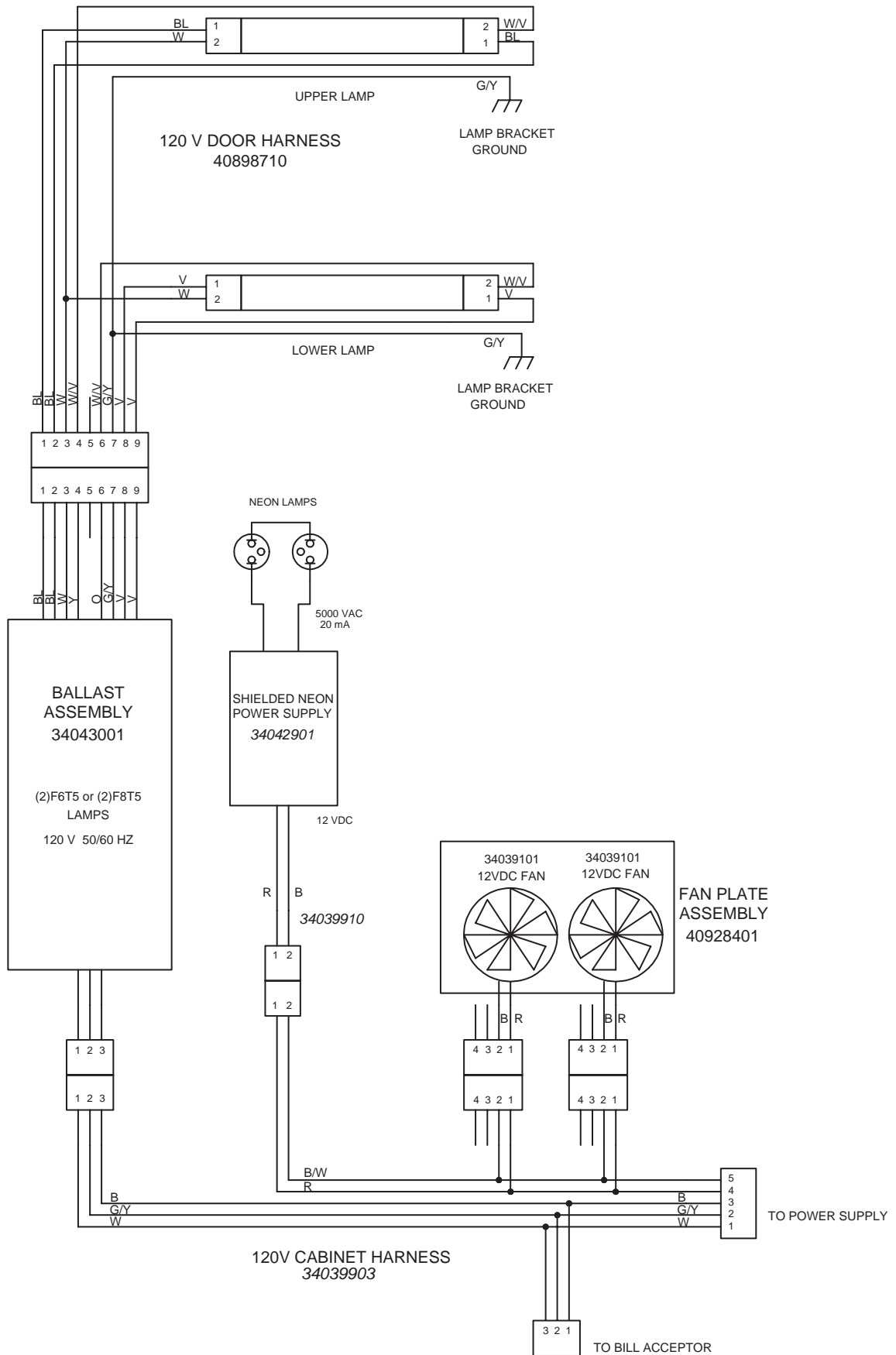


FIGURE 5-4 (continued)  
DLW-1 WIRING DIAGRAM - 2 CHANNEL PREAMP

## TROUBLESHOOTING CHARTS

The best way to isolate a problem is to determine its cause. The following charts should help to narrow down which module is failing and whether it can be fixed or needs to be replaced.

Start with finding the “Trouble” column that relates the closest to the problem you are experiencing and then match it to the closest “Symptom”. There can be many “Probable Causes” listed for each Symptom. The Probable Causes are listed in increasing order of probability.

Trouble	Symptom	Probable cause
Application does not boot up	At the first boot up screen, “Detecting IDE Primary Master” reports “None”	<ol style="list-style-type: none"> <li>1. The hard drive tray is not key-locked into place</li> <li>2. The hard drive tray in the CC box has come loose and needs to be re-seated</li> <li>3. There is no tray in the CC box</li> <li>4. There is no hard drive in the tray</li> <li>5. The tray was not inserted correctly</li> <li>6. The plugs in the tray are not completely seated in the hard drive</li> <li>7. The data cable or power plug (CC box internal) has come loose from the main board or hard drive bay</li> </ol>
	The boot up process stops at “DISK BOOT FAILURE, INSERT SYSTEM DISK AND PRESS ENTER”	<ol style="list-style-type: none"> <li>1. The hard drive tray in the CC box has come loose and needs to be re-seated</li> <li>2. There is no tray in the CC box</li> <li>3. There is no hard drive in the tray</li> <li>4. The hard drive tray is not key-locked into place</li> <li>5. The tray was not inserted correctly</li> <li>6. The plugs in the tray are not completely seated in the hard drive</li> <li>7. The data cable or power plug (CC box internal) has come loose from the main board or hard drive bay</li> <li>8. The hard drive is dead</li> </ol>
	At the first boot up screen, “Detecting IDE Primary Master” hangs at “[Press F4 to continue]”	<ol style="list-style-type: none"> <li>1. The CC’s BIOS needs to be updated</li> </ol>
The tray is stuck	The tray will not come out of the drive bay	<ol style="list-style-type: none"> <li>1. The tray was not un-locked.</li> <li>2. The handle was not lifted up 90 degrees before trying to be pulled out</li> <li>3. Tray is jammed</li> <li>4. Acceptor bay is broken</li> </ol>

Trouble	Symptom	Probable Cause
Jukebox will not operate when powered ON	When plugged into a standard wall outlet the florescent lights fail to light	<ol style="list-style-type: none"> <li>1. The Power button was pressed on Volume Control Unit or IR Remote.</li> <li>2. The plug is not completely inserted into the outlet.</li> <li>3. Wall circuit is not hot.</li> <li>4. All fluorescent lights are burned out.</li> </ol>
	Fluorescent lights come on, but the application will not boot	<ol style="list-style-type: none"> <li>1. The Computer ATX power/reset button was not pressed in</li> <li>2. UPS is OFF-(green LED is not lit)</li> <li>3. UPS is defective or unplugged</li> <li>4. The monitor or its power supply is defective or unplugged.</li> </ol>
The TFT-LCD monitor does not work	The computer fan is on, and all systems LED's are normal	<ol style="list-style-type: none"> <li>1. The power plug, video cable, or monitor power supply wiring is not seated completely.</li> <li>2. The monitor power supply is defective.</li> <li>3. The monitor is dead.</li> </ol>
The touchscreen does not work	The application boots up, but the touch screen does not respond to touch	<ol style="list-style-type: none"> <li>1. The serial cable is not seated completely at the monitor or at the CC box</li> <li>2. The touch screen is dead.</li> </ol>
The credit card acceptor does not work	Nothing happens when a card is inserted	<ol style="list-style-type: none"> <li>1. There is no power at the credit card acceptor</li> <li>2. The card was not inserted all the way</li> <li>3. The card was inserted with the stripe facing the wrong way</li> <li>4. The application is not running</li> <li>5. The cable is not plugged in securely to the outside of the CC box</li> <li>6. The credit card acceptor is dead</li> </ol>
	There is no power at the credit card acceptor	<ol style="list-style-type: none"> <li>1. The cable is damaged at the acceptor</li> <li>2. The connection is loose at the CC box</li> </ol>

Trouble	Symptom	Probable Cause
The bill acceptor does not work	The bill acceptor will not accept a bill	<ol style="list-style-type: none"> <li>1. The cash box is full</li> <li>2. The cash box was not re-installed on bill acceptor correctly</li> <li>3. There is a jammed bill in the device</li> <li>4. The plugs are not inserted securely at the acceptor</li> <li>5. The acceptor is dead</li> </ol>
	The green lights at the bill acceptor lip are not flashing	<ol style="list-style-type: none"> <li>1. The cable is damaged at the acceptor</li> <li>2. The bill acceptor is dead</li> </ol>
The touch screen will not calibrate	Nothing happens after pressing the calibration button	<ol style="list-style-type: none"> <li>1. The wrong button was pushed</li> <li>2. Rowelink is not running or the Rowelink Controller is defective</li> </ol>
	The calibration program runs, but will not respond to touch	<ol style="list-style-type: none"> <li>1. The serial cable plug is not fully seated at the monitor or at the CC box</li> <li>2. The touch screen is dead</li> </ol>
No music from jukebox	No sound from jukebox, although the application reports "Now Playing... a New song"	<ol style="list-style-type: none"> <li>1. Volume control is turned all the way down</li> <li>2. Volume control is broken</li> <li>3. Audio/Video controller or 2 channel preamp is continually muting the song</li> <li>4. Sound plug is disconnected or loose from the CC box</li> <li>5. The amplifier was overloaded and shutdown</li> </ol>
	No sound from jukebox and the application doesn't appear to be playing the song selected	<ol style="list-style-type: none"> <li>1. There are no more credits available for play</li> <li>2. Reject song was activated</li> </ol>
Machine is locked up during normal runtime	Bill acceptor is taking money but touch screen is not responsive	<ol style="list-style-type: none"> <li>1. CC is locked up, press the external ATX power/reset button. (see figure 1-1) if CC does not boot up, do a complete Power-up</li> </ol>
Venue Network	There is no designated phone line installed in the Venue	<ol style="list-style-type: none"> <li>1. The inside wiring installation appointment was not scheduled</li> <li>2. The inside wiring installation has not occurred</li> <li>3. The line was not installed in the pre-selected location</li> <li>4. The line (jack) was not labeled by the technician</li> </ol>

Trouble	Symptom	Probable Cause
		<ol style="list-style-type: none"> <li>3. The line was not installed in the pre-selected location</li> <li>4. The line (jack) was not labeled by the technician</li> </ol>
Router does not work	When the power button is depressed nothing happens	<ol style="list-style-type: none"> <li>1. The AC power plug is not fully inserted in the receptacle on the back of the router</li> <li>2. The wall plug is not “hot”</li> <li>3. The button is not pushed all the way in</li> </ol>
	When the power button is pressed, many lights flash on and then all go out	<ol style="list-style-type: none"> <li>1. The power button was not fully depressed to catch and remain in the ON position</li> </ol>
	The “Link/Receive#” light, in the front of the router, does not light up when an Ethernet cable is plugged in the respective #	<ol style="list-style-type: none"> <li>1. Ethernet port #1 is not suppose to be used</li> <li>2. The Ethernet port is dead</li> <li>3. The jukebox is not powered on</li> <li>4. The cable is loose at the CC box in the jukebox</li> </ol>
The “Download Now” feature and/or the “Buy CD” feature	Neither feature has ever been available in the venue	<ol style="list-style-type: none"> <li>1. There is no Ethernet cable connection between the router and the jukebox</li> <li>2. The Ethernet cable is not fully seated in the port on the CC box or in the back of the router</li> <li>3. The connection is loose between the installed line and the router</li> <li>4. The cable is bad</li> <li>5. The router is not the right one for the venue it has been placed in</li> <li>6. The internet line is down</li> </ol>
	ONLY “Buy CD” is available	<ol style="list-style-type: none"> <li>1. The router is not configured correctly</li> </ol>
	The features were available, but no longer available	<ol style="list-style-type: none"> <li>1. The connection has become loose between the router and the jukebox</li> <li>2. The connection has become loose between the installed line (jack ) and the router</li> <li>3. All the lights are ON, on the front of the router</li> <li>4. The router was shut off or lost power</li> <li>5. The internet service provider (isp) is down</li> <li>6. The Ecast music Database server is down</li> </ol>

This page intentionally left blank



## Section 6: Network

### INTRODUCTION

In order to bring the DLW-1 Network and the Internet to each venue, a separate phone line must be installed at each site. Depending on availability and the geographic location of the venue, the line will be a standard phone line providing dial-up Internet service, or digital cable, wireless broadband, or symmetric Digital Subscriber Line (DSL) providing faster Internet service. Either way, the router installation will be the same. Whether the venue will use the SDSL or dial-up technology depends on the venue's geographic location, and it will be ordered by Ecast. The final line installation procedure will be slightly different for each technology, as described below. Either way, prior to line installation, the Operator will need to coordinate with the venue to select a location for installation of the designated phone line. The installation for the router will be the same for either technology.

## WHERE TO INSTALL THE DESIGNATED LINE AND ROUTER

First and foremost, Ecast wants to make the installation process for the Operator as easy and smooth as possible. We realize that the DLW-1 System requires another piece of equipment, the router, and more wired connections than previous Jukeboxes, but it doesn't have to be more work than need be. Security is the number one concern with placement of the designated phone line and router.



### NOTE:

The "line" will look like a standard wall jack in the venue, no matter which technology is employed.

The line can be installed in any of the following:

- an indoor telephone closet (preferably on the same floor as the Jukebox)
- an indoor utility closet (preferably on the same floor as the Jukebox)
- closet or office where other sound equipment is located
- behind the bar
- next to a utility switch box in a back room

Do Not install the line:

- behind the old jukebox or behind the DLW-1 Jukebox
- in a place where it is extremely difficult to run a cable from
- in a high traffic area where the telephone cable could get pulled out

The router can be installed:

- next to the designated line
- next to other sound equipment in a closet, office or behind the bar
- any location close to and between the Jukebox and Countertop (you may have to run one long cable from the designated line to the router)

Do Not install the router:

- in the DLW-1 Jukebox
- where customers have access to it
- in an area where electronic components could be damaged
- far from and with physical obstacles between the DLW-1 units (on another floor, through doorways with closed doors, etc.)
- far away from a standard wall power plug



### NOTE:

Ecast is happy to provide possible placement locations in the venue for the DLW-1 router. The best way we can offer suggestions is by viewing a sketch of the location's floor plan. Make sure to label each room, for example, dining, bar, pool tables, kitchen, private room, etc.

## INSTALLING THE DESIGNATED LINE

### DSL:

If the venue is in an area where DSL is available, Ecast will order the installation of this technology. The time line for getting DSL installed in a venue is slightly longer than dial-up, but the technology is preferable as it provides a faster Internet connection.

The following are the steps for installing DSL in the venue.

- Step 1: The venue will receive the router box via mail from a third party or the installer.
- Step 2: Ecast will notify when the router has been shipped and the venue is ready for the final line installation by calling the Operator or sending an instruction sheet specific to the venue via mail, fax, or e-mail.
- Step 3: The final line installation date and time can be set up per the Operator's, DSL Providers's, and venue's convenience. Ecast encourages the Operator to be present at the time of installation to direct the technician where to install the line. If this is not possible, the selection can be made prior to the installation as long as someone at the venue can direct the technician.
- Step 4: The router should also be installed at this time (see **INSTALLING THE ROUTER** below).
- Step 5: Call Ecast and inform that the line is in.

### Dial-Up:

Dial-up is the default option that is available to every venue if DSL isn't. The Internet connection is brought to the bar via a standard telephone line. Ecast will order the dial-up Internet through our partner, Global Crossing, but the line will be installed by a local telephone carrier.



#### NOTE:

Dial-up line installation differs from DSL line installation in the procedure. Be careful not to confuse the two if your venues use both technologies. Also, the router will be sent to the Operator as opposed to the venue.

The following are the steps for installing the Dial-up line in the venue.

- Step 1: The router box will be sent directly to the Operator via mail from Ecast.
- Step 2: Ecast will notify when the router has been shipped and the venue is ready for the final line installation by calling the Operator or sending an instruction sheet specific to the venue via mail, fax, or e-mail.
- Step 3: The final line installation date and time can be set up per the Operator's, local telephone carrier's, and venue's convenience. Ecast encourages the Operator to be present at the time of installation to direct the technician where to install the line. If this is not possible, selection can be made prior to the installation as long as someone at the venue can direct the technician.
- Step 4: The router should also be installed at this time (see **INSTALLING THE ROUTER** below).
- Step 5: Call Ecast and inform that the line is in.

## INSTALLING THE ROUTER

### Introduction

The DLW-1 Router provides two major functions for the DLW-1 System. It is the connecting hub for the DLW-1 Jukebox in the venue and delivers the Internet from the outside world. The router box is the smart-translation tool that dials into the designated phone line and delivers the Internet to the Units in the bar (see Figure 6-1). The connection between the router to the designated phone line and to jukebox will be the same for both types of Internet technology (Dial-up or DSL).

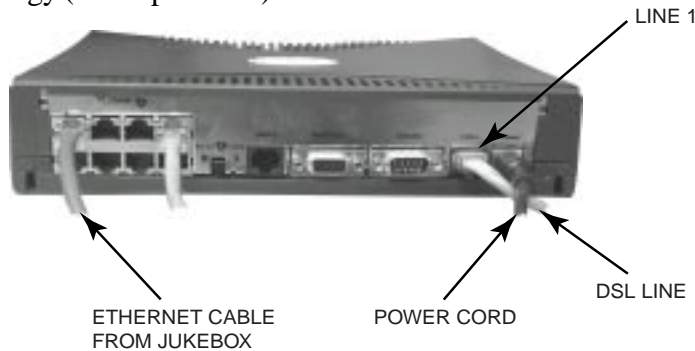


FIGURE 6-1

### Description

The Dial-up and DSL routers look exactly the same from the outside and provide the same functions to the user, but at different speeds. The only external difference between the Dial-up and the DSL router is the model number (see Table 1A).

Internet Access	Router Model Number
1 Dial-up	Netopia 2020 2
DSL	Netopia 7100-C

Table 1A



#### CAUTION

There is a major difference between the two routers' internal hardware and how they are configured. Due to these internal differences, it is very important that the correct router is installed in the venue that it is configured for. (Routers are non-transferrable!) Also, the Dial-up Router will be sent directly to the Operator and the DSL Router will be sent directly to the venue where it will be installed.



#### NOTE:

If the router is removed from the box it is shipped in, it can also be identified by the manufacturer serial number located on the underside of the router. Cross check this serial number with Ecast Technical Support.



#### WARNING

The router must have 24-hour AC power. For all the same reasons the jukebox must have always on power, the jukebox would be useless without the router.

**The following steps describe how to install the router in the venue:****Step 1: Select a Location**

Regardless of where the designated telephone jack was installed, the router box must be kept away from tampering, accidental shut off or from tech-savvy customers who could potentially steal Internet service from the venue (and operator). Please see “Where to Install the Designated Line and Router” for more suggestions. Contact Ecast’s technical support if you have any questions about the placement location.

**Step 2: Mount or Place the Router**

The best place to install the router is on a shelf or a ledge. If this is not possible, the box can be mounted to a wall. The underside of the box has two holes about 4-3/4” apart. Be sure that you can view the front of the box (non-plug side) where the signal lights are located.

**Step 3: Connections**

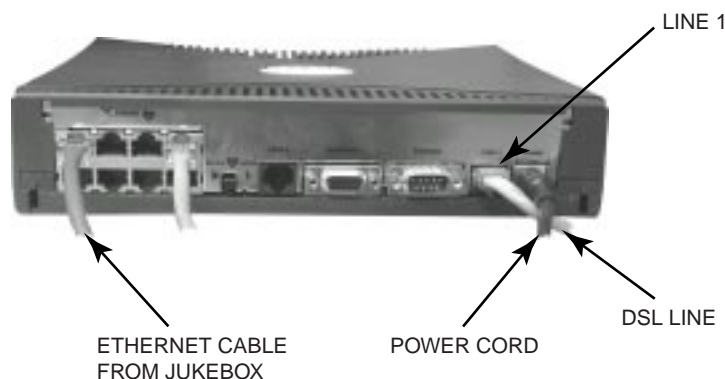
Connect a single phone line cable from the router port labeled “Line 1” (see Figure 6-2) to the designated phone jack. If the provided cable is not long enough, you can purchase a longer one or make your own (see “Standard Phone Cable Pin Out and Sources”). Next, connect the 9-pin AC power adapter to the back of the router labeled “Power”. Connect the other end to any standard wall plug or extension cord.

**Step 4: Power on the Router**

On the front of the router, press the Power button all the way in until it catches and remains depressed. Different green and red lights will flash on the router, but should settle to 2 green lights with the labels “WAN1: Ready” and “WAN2: Channel 1”. Assuming the line is good, the router should automatically be connected to the Internet.

**Step 5: Leave the Router On**

Once the inside line and router are installed in the location, Ecast can test the line remotely and make sure the line is good. If there are any problems, Ecast will work with the Operator and the Internet provider to produce a swift solution. If the line is working properly, the Operator will be informed and the venue will be ready for unit installation.

**FIGURE 6-2**

## **STANDARD PHONE CABLE PIN OUT & SOURCES**

A longer phone cable will be needed if the Router is placed at a greater distance than the provided cable. This cable has 2 twisted pairs with pin 1 to pin 4, pin 2 to pin 3, pin 3 to pin 2, and pin 4 to pin 1. It is available in different lengths, or parts to make your own custom length can be purchased at Radio Shack, Digi-Key, or other sources.

## Section 7: Using the DLW-1

### INTRODUCTION

The following is a reference guide for the Operator to navigate the user interface on the DLW-1 Jukebox. There are a couple reasons why it is important that the Operator feels comfortable with all of the user interface features. First, the Operator needs to know how to answer questions on how to use the jukebox for venue workers or patrons in the field. Second, the Operator needs to know what a normal run time interface looks like in order to troubleshoot when the user interface or part of the interface is down.

## OPERATING THE DLW-1 JUKEBOX

Use this reference guide to navigate the DLW-1 Jukebox

### APPROACHING THE JUKEBOX

#### Attract loop:

This moving image file consists of advertisements and graphics and appears when no one has touched the system for a few minutes. Simply touch the screen to begin using the system. The attract loop will automatically disappear.

#### Getting started:

Touch any part of the screen to begin viewing album covers.



Attract Loop

#### Paying to use the System:

Insert \$1.00, \$5.00, or a credit card (\$5 and \$10 choices) to receive credits. The \$/credit ratio appears on the screen. Total credits earned based on money inserted will appear in the lower left-hand corner.



Jukebox User Interface



## USING THE SYSTEM

### Selecting Local Music:

Browse through album covers on the local jukebox by pressing the arrow keys below the 4 album covers that appear on the right hand side of the screen. To view the songs on an album, touch the album and the song list will appear to the left of the 4 album covers. Scroll down or up with the double arrows to view all songs on the album. Make a song selection by touching the song # or title. The song will be selected as long as there is at least 1 credit under “Credits Remaining” in the bottom left-hand corner.

### Search All Music on the Ecast Network:

Press the “Search All Music” button that appears below the alphabet scroll arrows on the right hand side of the screen. Album covers or the “Download Now” icon will appear to the left of the artist’s names and their albums available. (The “Download Now” icon signifies an album not on the local jukebox but can be played for an extra credit per song.) From there you can search by song, artist, album, or genre. Touch in the middle of the tabs that appear on the top of the screen to modify your search. As soon as one letter has been typed into the keyboard, the search will jump through the albums or artists to narrow the search.



Search All Music Screen

### Selecting Music From the Internet:

If the song you want to play is on an album with the “Download Now” icon, then the song will have to be accessed via the Internet. The song selection process is the same as for local music. Scroll down or up with the double arrows to view all songs on the album. Make a song selection by touching the title. The song will be selected as long as there is at least 2 credits under “Credits Remaining” in the bottom left-hand corner. A dialogue box will inform that the song selected is not on the DLW-1 and will have to be downloaded. The next dialogue box will prompt to “Begin” the download for an extra credit or to “Cancel” the selection.

### Buy CD button:

Patrons will see “Buy CD” buttons in a variety of places within the screen. Anytime a song is chosen and sits in the queue on the left hand side of the screen, you will see a “Buy CD” button. In addition, patrons will see a “Buy CD” button next to the now playing song in the upper right-hand corner. If a patron touches that button, an amazon.com web page will appear displaying the exact album they would like to buy.

## **OPERATING THE JUKEBOX – SHORT SHEET**

### **Jukebox Music Station**

#### **To select an Album —**

Two Ways:

1. Scroll through the groupings of 4 album covers using the scroll bar at the bottom of the screen. Touch the album and the song list will appear on the screen.
2. Touch the Search All Music button at the bottom of the screen. Search by album and touch the name of the album to view its song list.

#### **To select a Song —**

After selecting an album, scroll through the song list using the arrow keys  
TOUCH the NAME of the SONG you want to select

#### **To purchase an Album —**

1. Touch the “Buy CD” button next to the album or “Current Song Playing” indicator
2. From the Amazon.com Interface, Touch the “Add to Shopping Cart”
3. Touch the “Proceed to Checkout Button”
4. Use the virtual Keyboard to enter information as requested

## **Section 8: Extranet**

### **INTRODUCTION**

The Extranet is an Internet that only a company's employees and their business partners can access. This private Internet is accessed by a given username and password. Only information that pertains to the user logged in can be viewed and accessed by that user.

## GENERAL QUESTIONS FOR INTERNET BEGINNERS

### Clicking:

To click, press and immediately release the left button on your mouse.

### Pull-down menus:

Pull-down menus give you access to a list without taking up a lot of space. A pull-down menu is a horizontal, rectangular box with an arrow on the right pointing down. The box shows you the menu's option that is currently in effect. Click the box and a list of all available options will appear. Each option listed will perform a different task. Just click the option you want and the screen will automatically change to reflect your choice.

### Using the "Go" button:

Clicking the "Go" button processes your request or sends you to a task's next step.

### How do I return to the previous pages?:

Click the square labeled "Back" on the upper-left corner of your computer screen. The "Back" button is part of your Internet browser.



#### NOTE:

The Ecast Extranet is a secure site. Once a user leaves the Extranet and an other web site is entered, the user must log on again to the Extranet. Do not expect to re-enter the Extranet by clicking the Back button to re-enter the site.

### Downloading :

When you download albums, you are transferring albums from Ecast's vast database to your DLW-1 System's hard drive.

### Printing:

Printing a page from the Extranet is just like printing a word processing document. You can either click the square labeled "Print" on the toolbar along the top of the screen, or click the word "File" on the upper-left corner of your screen and choose "print ." When a new window appears, just click "OK" at the bottom of the window to begin printing.

---

## GENERAL QUESTIONS FOR EVERYONE

### How do I access the Extranet?

Bring up any internet browser, for example: Netscape, Internet Explorer, or AOL. Type in the following address:  
**www.ecastcentral.com**

### My username and password:

Your username identifies you to the DLW-1 Management System. Your password tells the system that the person logging in with your username is really you.

### How do I get a username and password?

Upon the return and approval of the Operator Contract with Ecast, a username and password will be randomly generated along with the set up of the venues that the units will be going into. Once the venue database is created, you will be informed of your password.

### How do I change my username or password?

Email Ecast at **customerservice@ecastinc.com** or call toll free **(877) 451-1537**. Be sure to include your name, phone number, company name, city, and state with your request.

### What if I forget my username or password?

Email Ecast at **customerservice@ecastinc.com** or call toll free **(877) 451-1537**. Be sure to include your name, phone number, company name, city, and state with your request.

### Who can view my account?

Only you and Ecast can view your account unless you share your username and password with anyone else.

### How do I get to each section's home page?

The names of each section are listed across the top of your computer screen below the "Extranet: DLW-1 unit management system" banner. Click one of the names to get to that sections home page. There are six sections: Revenue Reports, Usage Reports, Music Reports, System Reports, Update Music, and Edit Profile.

If you have questions regarding the extranet reports you may contact Ecast Customer Service at **customerservice@ecastinc.com** or call toll free **(877) 451-1537**.

## **REVENUE REPORTS**

By clicking on a venue name you can view details of the revenue generated and select options to generate reports for specific time periods.

## **USAGE REPORTS**

By clicking on a venue name you can view top songs, albums, and games. Options include list length (top 10 or top 40) and time period.

## **MUSIC REPORTS**

The music reports screen will allow you to select from numerous options to view the most popular music by geographic location, album, artist, genre, time period, etc.

## **SYSTEM REPORTS**

### **What are System Reports?**

System Reports are Ecast's way of monitoring your units for you. When a unit is experiencing technical problems, it will not respond to a system check and Ecast will post this on the DLW-1 Management System for your review.

### **How often are system reports carried out?**

Every day after the venue has closed.

### **How to read system reports**

Click System Reports at the top of the screen to get to the sections home page. A list of locations with either a check mark or an "x" to the right of each name will appear. The check mark means all units at that venue are OK. The "x" means a unit at that location isn't working properly.

For a detailed system report on each location, click one of the venue names on the System Reports home page. A list of units at that venue will appear with either a check mark or a circle next to each unit. A check mark indicates that the unit is OK. A circle means the unit did not supply a report on the last system check and may not be working properly.

### **Can I find out what's wrong with a unit that is not working properly?**

Not currently. Soon the System Reports section will tell you what each problem is and when it occurred.

### **What to do if a unit isn't working**

First, contact the location manager. Maybe the unit was accidentally unplugged or there is some other simple explanation. If the venue manager can't fix the problem, contact the distributor.

---

## UPDATE MUSIC

### Adding, deleting albums

Use either the Auto Suggest, Music Advisor, or Manual Select/Manual Remove features described below.

#### Auto Suggest

In this section, Ecast recommends what albums to download to or remove from a particular location's DLW-1 System based on the location's profile; "most-popular" lists; new artists, albums, or songs; and music label suggestions.

To add music, click one of the venues listed in the Update Music home page, then click the "Auto Suggest" button in the "Add Music" section. A list of albums will appear. Click the box next to each album you want to add this month, keeping in mind how many albums you can download (see maximum downloads per month questions/answers below). Checks will appear in those boxes. You can erase a check by clicking the box again. When you're satisfied with your choices, click "go" at the bottom of the screen. Ecast will process your request overnight.

To remove music, click one of the venues listed in the Update Music home page, then click the "Auto Suggest" button in the "Delete Music" section. A list of albums will appear. Click the box next to each album you want to delete. A check should appear in a clicked box. You can erase a check by clicking the box again. When you're satisfied with your choices, click "go" at the bottom of the screen. Your choices will be deleted by the next day.

#### Music Advisor

This section allows you to choose what albums to add to a DLW-1 System based on their popularity. You can base the search on popularity by region, Ecast's top 40, newest music, what has been requested on your machine, and the hottest music in pop, hip-hop, country, or rock.

Follow the same process as you would using "Auto Suggest" (see above). Just click one of the venues listed in the Update Music home page, then click the "Music Advisor" button. A list of albums will appear. Click the box next to each album you want to add this month, keeping in mind how many albums you can download this month (see maximum download questions/answers below). Checks will appear in those boxes. You can erase a check by clicking the box again. When you're satisfied with your choices, click "go" at the bottom of the screen. This will send your download requests to Ecast, which will process them overnight.

If you want to change the factors on which to base your search, such as popularity by region, Ecast top 40, what's been requested at that venue, etc., click one of the venues listed on the Update Music home page, then click the "Music Advisor" button. Click the pull-down menu labeled "Show list according to:" at the top of the page. Click the option you want and the list of albums given will automatically change to reflect the new choice.

Continued on next page

## **Manual Select/Remove**

This section enables you to search for a specific album, artist, song, or genre, and then choose from the resulting list what albums you want to add or delete.

To add music, click one of the venues listed on the Update Music home page, then click the “Manual Select” button in the “Add Music” section. In the box below the “Search” title, type one or two keywords to search for. Below the box, click the circle to the left of either “album,” “artist,” “song,” or “genre”. Then click the “Search” button to the right of the box. A list of albums will appear. Click the box next to each album you want to add, keeping in mind how many albums you can download this month (see maximum download questions/answers below). Checks will appear in those boxes. You can erase a check by clicking the box again. When you’re satisfied with your choices, click “go” at the bottom of the screen. Ecast will process your request overnight.

To remove music, click one of the locations listed on the Update Music home page, then click the “Manual Remove” button in the “Delete Music” section. Then follow the same process as you would using “Manual Select” (see above) — the only difference being your choices will be deleted from your DLW-1 system rather than added to it. You may also delete albums from a list of albums currently on your DLW-1 System. Refer to the “View” section in the middle of the “Manual Remove” page and click “current albums” in the sentence “View all current albums on my DLW-1 unit(s), and delete albums from the list.” Click the box next to each album you want to delete and click the “go” button at the bottom of the page. Your request will be processed overnight.

### **What is the maximum number of albums I can add to a location’s system each month?**

You can download a maximum of 10 albums per month at each location unless there isn’t enough room left for 10 on the hard drive.

Ecast tells you on the Update Music home page how many albums you can add to your system each month. Also, when you click one of the venue names on the Update Music home page, the next page will have a box in the upper-right corner that tells you how many albums you can download to that venue’s system this month. When giving you this number, Ecast takes into account how many albums you’ve already downloaded during the month and how much room you have on the hard drive.

### **How long does it take to process my request to add or delete albums?**

The request will be processed overnight. If you delete some albums, you can immediately download new albums to replace the old. Both changes will be processed overnight.

### **Can I see a list of albums on each location’s DLW-1 unit?**

Yes. After clicking one of the venue names in the Update Music home page you’ll see a vertical box on the right that lists the Last 10 downloaded songs by patrons. At the bottom of this box is the sentence, “Click here to get a full music report on your machine.” Click the word “here” in that sentence. Another way to see the list is to go to the Manual Remove page (see questions/answers on the Manual Remove feature above). Halfway down this page, under the title “View,” is the sentence, “View all current albums on my Siren unit(s), and delete albums from the list.” Click “current albums” in that section.



---

## EDIT PROFILE

### What Can I edit?

You can change any profile within editable text area. To change, just highlight the old information by clicking on it, then type in the new data. If you want to edit the sections you can't change yourself, email Ecast [customerservice@ecastinc.com](mailto:customerservice@ecastinc.com) or call toll free (877) 451-1537 with your edit requests. Be sure to include your name, phone number, company name, city, and state. Ecast will process the changes overnight.

### How can I edit?

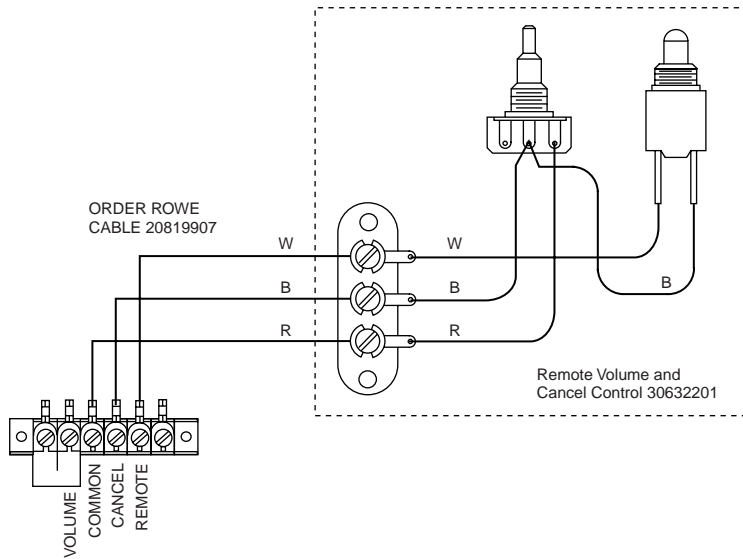
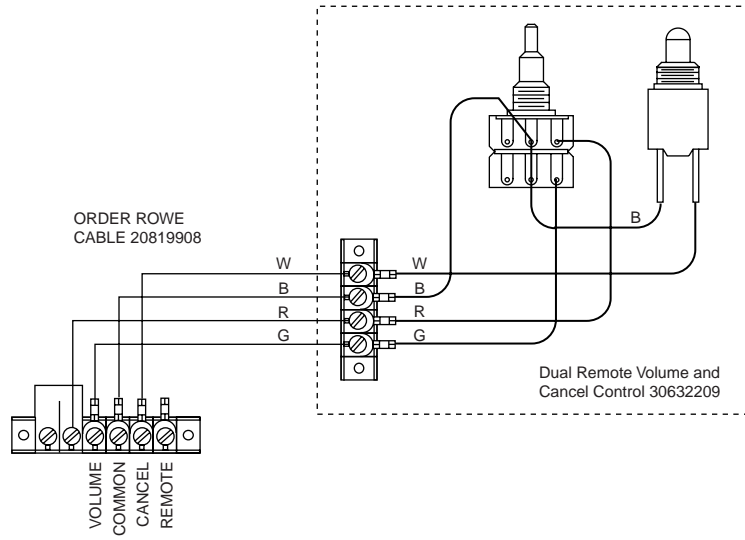
Click one of the venues listed in Edit Profile Home page of which you want to edit profile. The page you see after the clicking contains the information of the venue that Ecast already has. Change the entries you want to and click the "Submit" button at the bottom of the page. Then you will have a confirmation page which tells you what is the new profile you want to submit. Feel free to correct your changes here by clicking "edit" button at the bottom of the page. If everything is right, click "save" button at this page to finally submit the changes. Once the submission is successful, you will be redirected to Extranet's Home page.

This page intentionally left blank

## **Section 9: 2 Channel Sound System**

### **INTRODUCTION**

This section shows the single and dual volume control connections and equalizer tone controls for highly, moderate, and non-absorbent rooms.



## SOUND SYSTEM

### Acoustical Compensation (Equalizer Tone Controls)

The preamplifier contains seven tone controls on each channel to compensate for room acoustics in various locations. These controls are on the amplifier chassis. The sound level at which the phonograph will be operated and the room furnishings determine the settings of these controls.

A room with carpet and drapery is a soft or highly absorbent location. A crowded room is also highly absorbent. These location require greater emphasis of high frequencies.

A room with paneled walls and a bare or tiled floor is a hard, nonabsorbent location, which requires greater low frequency emphasis.

Regardless of the room acoustics, the high and low frequency characteristics of your speakers can influence the equalizer settings as much or more than the room acoustics.

### What This Graphic Equalizer Does

This graphic equalizer controls the tone for seven specific tone ranges. The frequency for each range is printed next to each equalizer control.



#### IMPORTANT:

- ☞ Each of these controls can limit the maximum volume for its range by as much as 75%.
- ☞ This means that if a control is set to minimum, that the maximum power available for that range is only about 128 watts.
- ☞ If all of the graphic equalizer controls are set to minimum, then the phonograph will produce no more than approximately 128 watts of its 500 watt capacity per channel.

### Equalizer Settings

These equalizers work equally well for stereo and mono sound and may be used with single and dual volume controls.

The settings that follow will give a good sound for a room with the matching acoustics (highly absorbent, moderately absorbent, nonabsorbent). Set the right and left channel equalizer controls to the positions that match the room described (or most closely described) in the three illustrations that follow this paragraph. These settings may be just right, or they may not sound 100% right to you. If the sound is not satisfactory, make small changes in the settings until the sound is just the way you want it.

## If the Room or Speaker System Requires a Trade-Off

The equalizer limits the volume of all of the audio frequencies. Therefore, to achieve the best sound for a specific room or set of speakers, you may find that most of the graphic equalizer controls need to be turned down. In this situation, the overall phonograph volume may not be adequate. If you find that you have this situation, increase each graphic equalizer control slightly until the phonograph produces the required volume.

### Procedures for Adjustment

Select one of the Room Acoustics that most closely matches the acoustics of your room and follow the instructions for that room type. If your room is an average or moderately absorbent room, or you like the sound of the phonograph, you can use the factory settings just the way they are.

### Soft and Highly Absorbent Rooms

Rooms with carpet and drapery are considered to be “soft and highly absorbent.”

1. Turn all seven right channel and seven left channel graphic equalizer controls fully counterclockwise.
2. Turn the 46 and the 108 Hz controls to the position midway between the maximum and the minimum position as shown to the right. Leave all of the other controls turned all the way counterclockwise.
3. The controls on the equalizer should now be set as shown to the right.
4. Play a selection and turn the controls slightly (no more than 1/8 of a turn at a time) until the sound is acceptable. Be sure that the phonograph volume is adequate. If the volume is not adequate, turn each control up (counterclockwise) slightly until the volume is satisfactory.

**Remember: The maximum volume setting is obtained when all controls are turned full counterclockwise.**

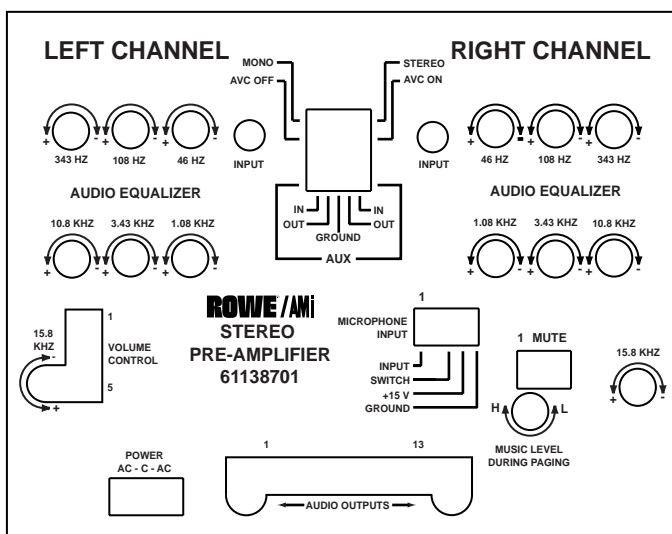


Figure 2-9A. "Soft" Rooms

## Average or Moderately Absorbent Rooms

These are the factory settings.

1. Turn all seven right channel and seven left channel graphic equalizer controls fully counterclockwise.
2. The graphic equalizer's controls should now be set as shown to the right.
3. Play a selection and turn the controls slightly (no more than 1/8 of a turn at a time) until the sound is acceptable. Be sure that the phonograph volume is adequate. If the volume is not adequate, you will need to turn each control up (counterclockwise) slightly until the volume is satisfactory.

**Remember: The maximum volume setting is obtained when all controls are turned full counterclockwise.**

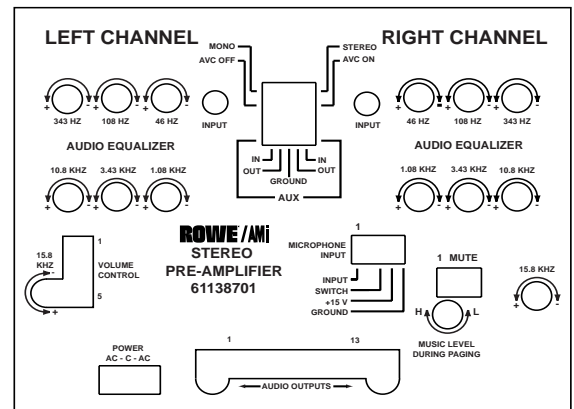


Figure 2-9B. "Average" Rooms

## Hard or Non-Absorbent Rooms

Rooms that are paneled and have bare or tiled floors are considered to be "hard or nonabsorbent."

1. Turn all seven right channel and seven left channel graphic equalizer controls fully counterclockwise.
2. Turn the 15.8 KHz control all the way clockwise as shown to the right.
3. Turn the 10.8 KHz control to the position midway between the maximum and minimum position as shown to the right. Leave the 46Hz, 108Hz, 343 Hz, 1.08 KHz, and 3.43 KHz controls turned all the way counterclockwise.
4. The controls on the equalizer should now be set as shown to the right.
5. Play a selection and turn the controls slightly (no more than 1/8 of a turn at a time) until the sound is acceptable. Be sure that the phonograph volume is adequate. If the volume is not adequate, you will need to turn each control up (counterclockwise) slightly until the volume is satisfactory.

**Remember: The maximum volume setting is obtained when all controls are turned full counterclockwise.**

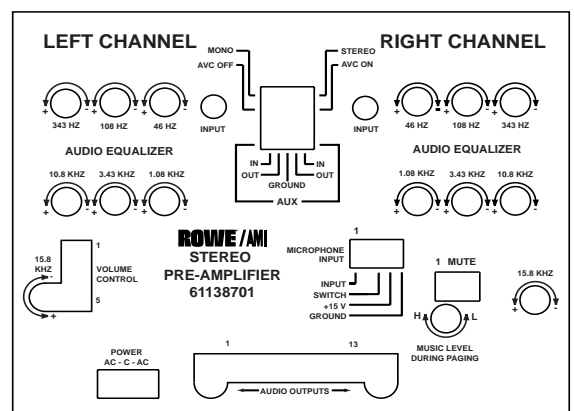


Figure 2-9C. "Non-Absorbent" Rooms

## Paging

Paging circuitry is part of the Preamplifier. The microphone cable plugs directly into the preamplifier.

**This Page Intentionally Left Blank**



## Section 10: Operator Screens

The service mode consists of 36 operator screens. Pressing the **SERVICE** switch on the switches circuit board enters the service mode and displays the first screen, the **MAIN MENU** operator screen. Touch the screen to navigate between screens, choose programming options, and enter data. All programming options are set at the factory. If you make changes and the screen has a **SAVE** box, the changes take effect when you touch **SAVE**.

Screens with a **SAVE** box (icon) also have a **BACK** arrow icon and an **UNDO** icon. The **BACK** arrow icon returns you to the previous screen. Use the **UNDO** icon if you make changes, then decide you do not want them. It only works before you touch **SAVE**.

# SERVICE MODE MAP

## Main Menu

### System Auditing

Collection - Touch button to display Collection screen.

### Pricing and Play Options

Song Play Order

- FIFO “First In First Out (Default). Songs play in order selected
- Random. Songs play in random order.

Credit Pricing

- Price per play and free play

Add Free Credits

- Add Credit. Each touch adds 1 credit.

Auto Play Mode

- Auto Play Off (Default).
- Auto Play On Plays a song every: 15, 20 or 30 minutes.

Clear Credits / Clear Queue

- Clear Credits - Clears all credits by pressing this button.
- Clear Queue - Clears song queue by pressing this button.

Recover Credits / Recover Queue

- Recover Queue
  - Queue Recovery Off (Default) - Clear queue if machine reboots.
  - Queue Recovery On - Restore queue if machine reboots within xxx minutes.
- Recover Credits
  - Credit Recovery Off (Default) - Clear credits if machine reboots.
  - Credit Recovery On - Restore credits if machine reboots within xxx minutes.

### Hardware/Diagnostics

Calibrate Touchscreen - Touch button then follow directions on screen

Configure Hardware (Audio volume presets, audio modes, remote control setup, microphone setup, time zone select).

System Admin & Auditing

- System Configuration
- view if Rowelink controllers are Inactive or Enabled.
  - view Software Version Information
  - set Date and Time, set Background Music Delay
  - Restore Factory Settings

Pricing Setup - set cash value of Coins and Bills

Hardware Setup

STUDIOSOUNDONLY - Audio Equalizers - When selections are playing , touch sliders to adjust.

STUDIOSOUNDONLY - Audio Volume Presets - Normally not used. Read description of this screen before changing.

STUDIOSOUNDONLY - Audio Modes - affects: inputs, muting, and outputs for: Standby, Background Music, and Microphones.

- Input Select - read description of this screen before changing.
- Muting - read description of this screen before changing.
- Output Mode - read description of this screen before changing.

Remote Control Setup - affects usage of keys on IR remote and the (STUDIO SOUND ONLY) VCU (volume control unit).

- Parameters screen - set: Remote Credit, Volume Step Size, Mode Linkage, and Channel Linkage.
- IR Settings - enable/disable IR keys: Autoplay Override, Pause, Reject, Input Select
- STUDIO SOUND ONLY - VCU Settings - enable/disable VCU keys. Factory settings enable all except Credit.
- STUDIO SOUND ONLY - Microphone Setup
  - Setup - sets: mic type, and override
  - Routing - sets Routing of microphones to the four channels, AuxL, and AuxR

System Settings - View system settings

Network Settings - view network settings

System Diagnostics

- Quick Diagnostic
- Network Diagnostic
- Application logs

Update Controller - Touching the Force Update button initiates a full system update.

### **Configuration Summary**

View summary of Last Collection, Credit Pricing, Play Song Order, Auto Play, Queue Recovery, and Credit Recovery.

### **Music Filter**

Choose categories that should NOT be played on this machine, then re-boot the computer.

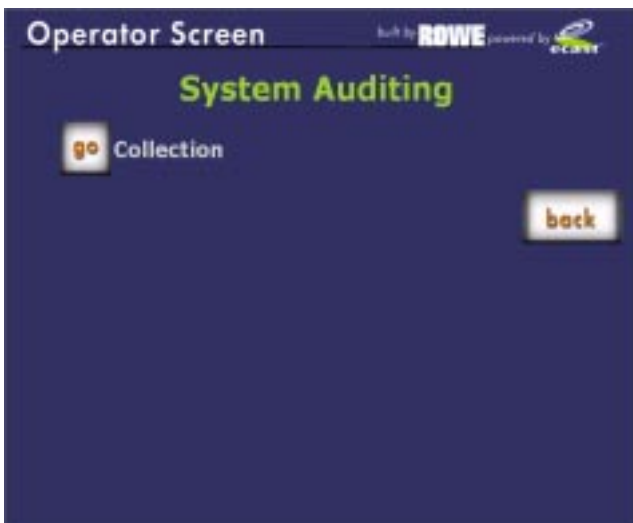


## MAIN MENU

The service button inside the Netstar box will lead you to our Operator Screens.

The MAIN MENU SCREEN is the main operator screen. All setup programming can be reached from here.

Touch "quit" to exit the service mode and return to the MUSIC SELECTION SCREEN.



## SYSTEM AUDITING

This screen is used to reach the collection screen.

Operator Screen built by ROWE powered by

### Collection

Today's Date: 6/21/2008 1:54:30 AM

	Current Period	Last Period	All Periods
Printed Range:	6/21/2008 1:00:00-11:00	6/20/2008 1:00:00-11:00	N/A
Printed Dates:	N/A	6/17/2008 1:00:00-11:00	N/A
Cash:	\$3.00	\$3.00	\$7.00
Cash:	\$0.00	\$0.00	\$0.00
Cash Card:	\$0.00	\$0.00	\$0.00
Bank Set up:	\$0.00	\$7.00	\$7.00
Operator 50%	\$0.00	\$0.00	\$0.00
Operator 20%	\$0.00	\$0.00	\$0.00
Free Credits:	0	0	0
Free Songs:	0	0	0
Local Songs Played:	0	0	0
Downloaded Songs Played:	14	0	20
Total Songs Played:	14	0	20

Collect NOW

menu

## COLLECTION

This screen displays the current and previous collection and play totals. After collecting the money, touch “Collect NOW” to add current period totals to ALL periods, transfer totals from the Current Period into the Last Period, and clear the Current Period. The All Periods totals show lifetime unit totals.

Touch “menu” to reach the main menu screen.

Operator Screen built by ROWE powered by

### Pricing And Play Options

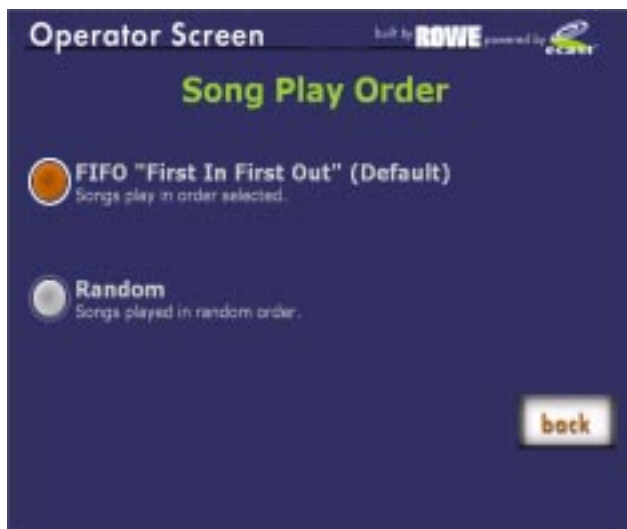
- GO Song Play Order
- GO Credit Pricing
- GO Add Free Credits
- GO Auto Play Mode
- GO Clear Credits/Clear Queue
- GO Recover Credits/Recover Queue

back

## PRICING AND PLAY OPTIONS

This screen is used to access the pricing and play screens.

Touch “back” to return to the previous screen.



## SONG PLAY ORDER

Sets the music play for FIFO “First-in First-out” or Random.

The button will turn orange when touched to indicate an active choice.

Touch "back" to return to the previous screen.

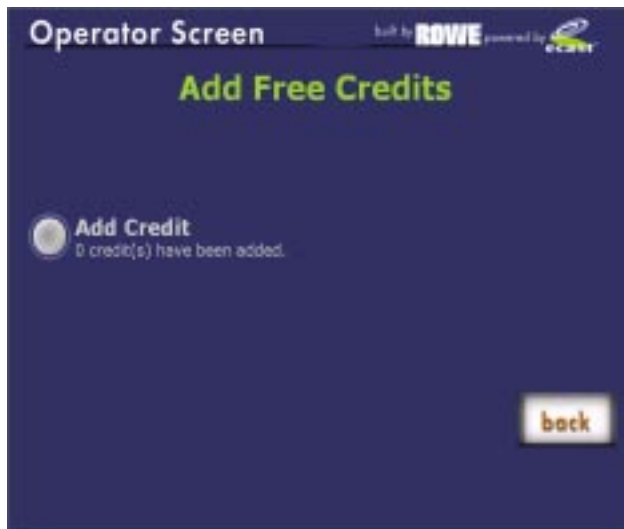


## PRICING OPTIONS

Sets up pricing for selections.

The button will turn orange when touched to indicate an active choice.

Touch "back" to return to the previous screen.



### ADD FREE CREDITS

Adds a credit each time “Add Credit” is touched.

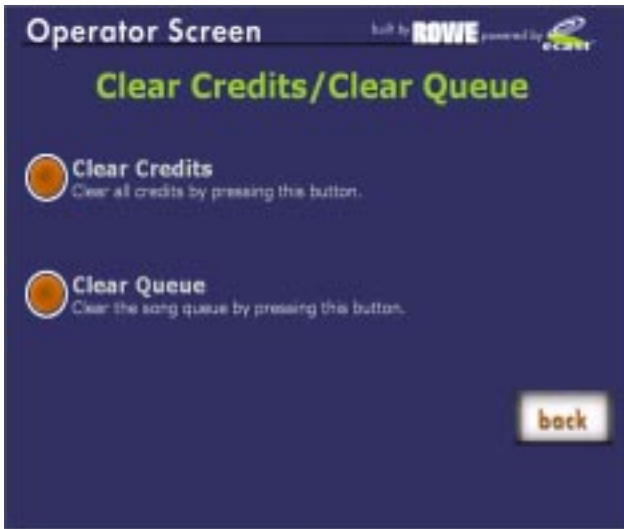
Touch "back" to return to the previous screen.



### AUTOPLAYMODE

Touch a button to set Autoplay OFF or ON. The button will turn orange when touched to indicate an active choice. If the phonograph is idle and Autoplay is ON, a random selection will play every 15, 20, or 30 minutes. Touch the interval to select it.

Touch "back" to return to the previous screen.



## **CLEAR CREDITS/CLEAR QUEUE**

Touch an orange button to clear all credits or the song queue.

Touch "back" to return to the previous screen.



## **RECOVER CREDITS/RECOVER QUEUE**

This screen is used to access the recover screens.

Touch "back" to return to the previous screen.





## RECOVER QUEUE

Touch a button to select Queue Recovery OFF or ON. The button will turn orange when touched to indicate an active choice.

To change the number of minutes, touch “Change Interval”. Use the keypad to enter the new value, then touch CHANGE.

If you make a mistake touch CLEAR, re-enter the new value, then touch CHANGE.

Touch "back" to return to the previous screen.



## KEYPAD



## RECOVER CREDITS

Touch a button to select Credit Recovery OFF or ON. The button will turn orange when touched to indicate an active choice.

To change the number of minutes, touch "Change Interval". Use the keypad to enter the new value, then touch CHANGE.

If you make a mistake touch CLEAR, re-enter the new value, then touch CHANGE.

Touch "back" to return to the previous screen.



## KEYPAD



## HARDWARE/DIAGNOSTICS

This screen is used to access the hardware and diagnostic screens.

Touch "back" to return to the previous screen.

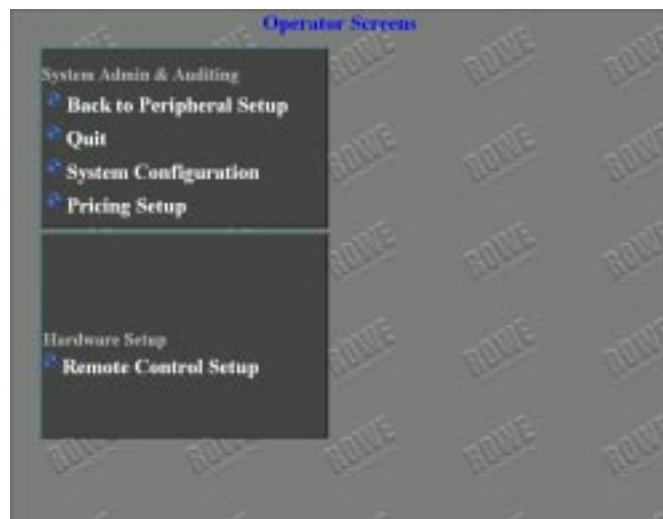


## CALIBRATE TOUCHSCREEN

When this screen appears, close the phonograph top door and follow directions on the screen to calibrate the touchscreen.



**FOR STUDIO SOUND ONLY**



**FOR 2 CHANNEL PREAMP ONLY**

**ROWELINK CONFIGURATION**

This screen is used to access other screens.

“Back to Peripheral Setup” will return you to the Hardware/Diagnostics screen.

“Quit” will end the Service Mode and return to the Music Selection screen.



**FOR STUDIO SOUND ONLY**



**FOR 2 CHANNEL PREAMP ONLY**

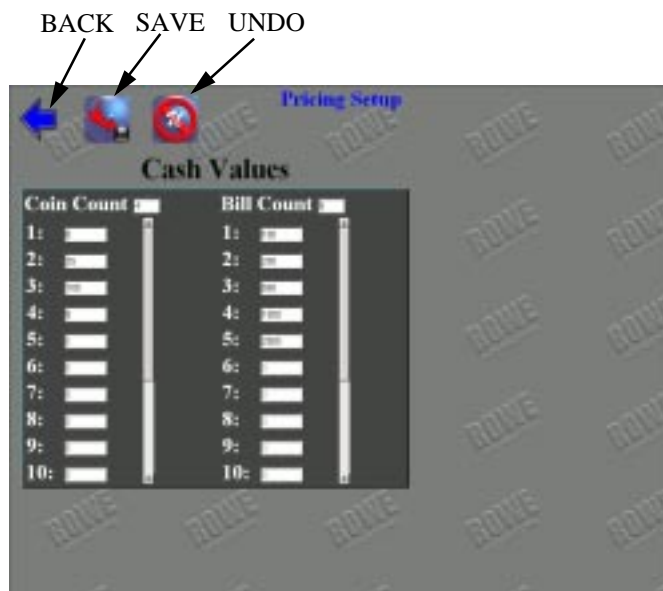
**SYSTEM CONFIGURATION**

This screen displays the status of the Rowelink modules and the software version of the jukebox.

You cannot change the date and time. Select your time zone by repeatedly touching the displayed zone, then touch SAVE to record it.

The “Background Delay” is explained in step 1 of “Adding a BGM (Background Music) Unit”.

**CAUTION:** Touching “Restore” will immediately restore the factory settings.



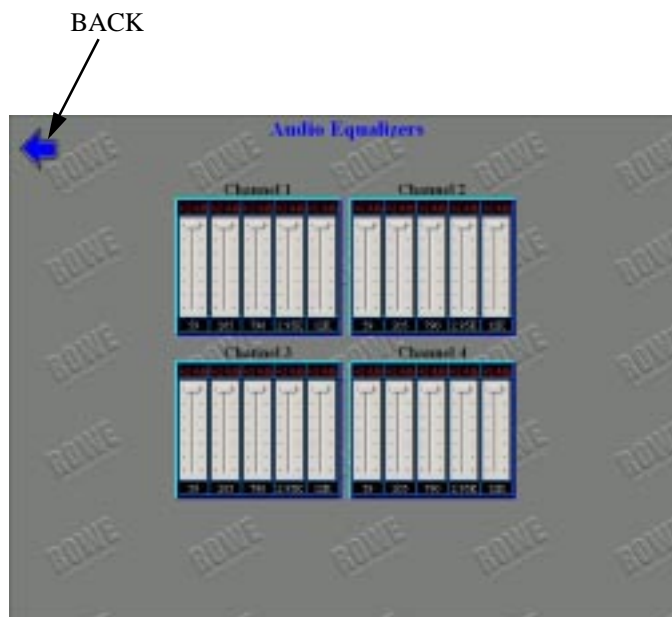
**FOR STUDIO SOUND and 2 CHANNEL  
PREAMP**

## PRICING SETUP

Settings match the configuration of the electronic coin mech and the Mars bill acceptor (25 = Quarter, 100 = Dollar, etc.).

The settings are:

Coin	Bill
1 = 0	1 = 100
2 = 25	2 = 200
3 = 100	3 = 500
4 through 10 = 0	4 = 1000
	5 = 2000
	6 through 10 = 0



**FOR STUDIO SOUND ONLY**

## AUDIO EQUALIZERS

Audio Equalizers have a default setting of +2.4 db per frequency. Use the slider bar to change the settings.

A room with carpet and drapery is a soft or highly absorbent location. A crowded room is also highly absorbent. These locations require greater emphasis of high frequencies.

A room with paneled walls and a bare or tiled floor is a hard, nonabsorbent location, which requires greater low frequency emphasis.

Regardless of the room acoustics, the high and low frequency characteristics of your speakers can influence the equalizer settings as much or more than the room acoustics.



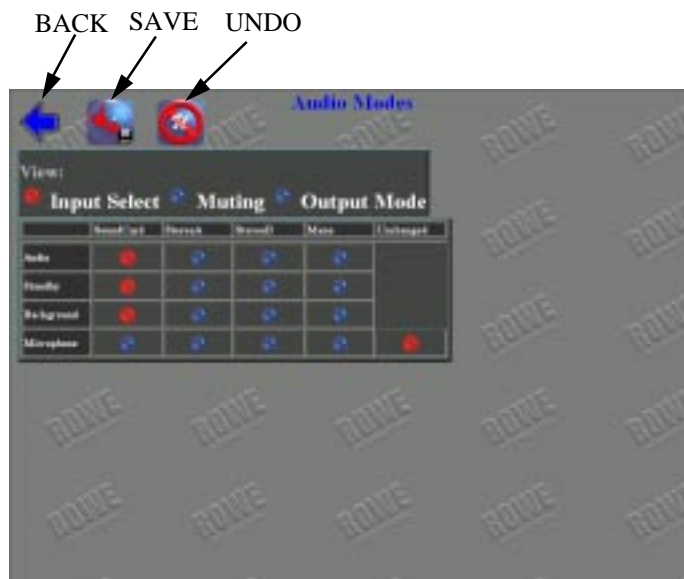
### FOR STUDIO SOUND ONLY

## AUDIO VOLUME PRESETS

The Audio Volume Presets inputs are adjustable to match signal levels from the Core Computer sound card and other sources to the front-end inputs and AVC circuitry of the Audio/Video Controller. If an input is set too low, the Audio/Video Controller may not produce enough volume or its AVC circuitry may not function properly. If set too high, the yellow clip indicator LED(s) on the 1000 watt amplifier will be off, but the sound will be distorted. All inputs are factory set to 75%. The Sound Card input should be left at 75, but other inputs may need to be raised or lowered depending on the signal level of sources connected to them.

The Audio Volume Presets outputs are adjustable to match the output level of the Audio/Video Controller to the specified input level of different Power Amplifiers. The 60% factory setting is for the Rowe 1000 watt Extremely Cool Audio Digital Power Amplifier. If it is set too high, the sound will be distorted at maximum volume or the music may disappear from one or both channels. If set too low, the power amplifier may not produce enough sound at maximum volume. The Rowe power amplifier has yellow LED clip indicators that blink at maximum volume if the setting is too high. Occasional blinking is normal, but frequent blinking means it is set too high and the audio will probably sound too distorted, and the Power Amplifier may shut down.

To change a value touch it, and the Keypad window will appear on the screen. Follow directions on page 30 for using the Keypad and saving the value(s) you enter.



## AUDIO MODES - INPUT SELECT

This is the first of three screens. Each screen has four modes: Audio, Standby, Background, and Microphone. Touch “Muting” or “Output Mode” to access the other two screens.

For each mode the Audio/Video Controller can select its front-end input signal from the Sound Card, Stereo A, Stereo B, or Mono RCA jacks. The microphone mode can also be set to “Unchanged”. If you touch a button and it turns red, it indicates that source is selected for the mode.

### FOR STUDIO SOUND ONLY

Mode 1 - Audio: This is when selections are playing. It should always be set to Sound Card.

Mode 2 - Standby: When a selection finishes, the phonograph goes from Audio mode to Standby mode. It stays in Standby until another selection plays or the Background Delay elapses. It is factory set to select the Sound Card input.

Mode 3 - Background: When the Background elapses, the phonograph goes to the BGM mode until another selection plays. It is factory set to select the Sound Card input.

Mode 4 - Microphone: This is when a microphone is keyed. The factory setting of Unchanged does not switch inputs when a microphone is keyed. Select a specific input if you want the front-end to select it when a microphone is keyed.

If you change the settings, touch SAVE to record your changes.



## AUDIO MODES - MUTING

The four audio modes – Audio, Standby, Background, and Microphone – have separate mutes for the Audio/Video Controllers Signal Outputs channels 1 and 2, Signal Outputs channels 3 and 4, Auxiliary Outputs with AVC, and Front-end inputs. When you touch a button, it toggles between muted and not muted. A red button with a yellow check mark indicates muted. The factory setting has the outputs and inputs muted in the standby and background modes.

### FOR STUDIO SOUND ONLY



### FOR STUDIO SOUND ONLY

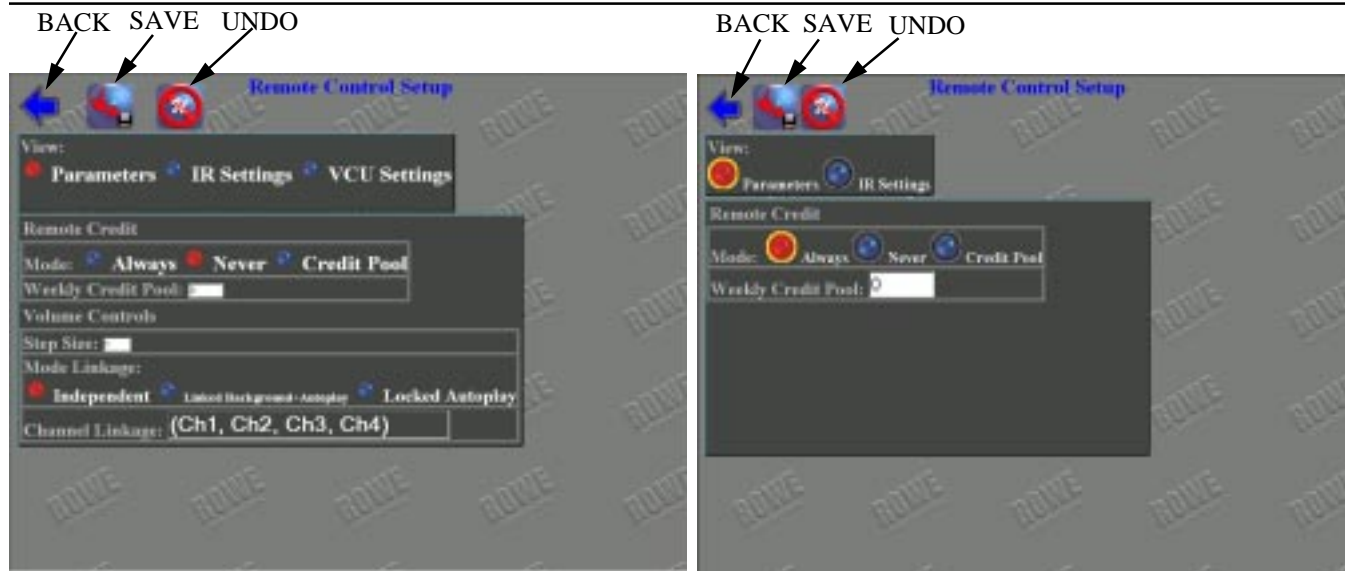
### AUDIO MODES - OUTPUT MODE

The Core Computer sound card outputs a stereo signal that connects to the STEREO MECHANISM INPUT RCA jacks on the Audio/Video Controller. The Audio/Video Controller has circuitry that combines the stereo signal to produce a mono signal. It also has AUX RCA inputs for each channel. This screen lets you select what signal (stereo, mono, or AUX) shall be routed to the CH1, CH2, CH3, and CH4 SIGNAL OUTPUTS RCA jacks on the Audio/Video Controller for each of the four audio modes – Audio, Standby, Background and Microphone.

When you touch a button, it toggles between red and blue. A red button indicates it is selected. The factory setting is stereo/stereo for all modes. If you select mono/mono for all modes, you can have separate volume control of each channel by selecting the corresponding channel linkage in the REMOTE CONTROL SETUP – PARAMETERS screen (see Separate Volume Control of Speaker Zones).

If you change the settings, touch SAVE to record your changes.





FOR STUDIO SOUND ONLY

FOR 2 CHANNEL PREAMP ONLY

## REMOTE CONTROL SETUP - PARAMETERS

This is the first of three screens. Touch “IR Settings” or “VCU Settings” to access those screens.

Remote Credit enables/disables credits being given by the IR remote and the VCU (volume control unit). ALWAYS enables remote credit but does not limit how many can be given. NEVER is the factory setting and disables them. CREDIT POOL limits the number of credits given each week to the value in Weekly Credit Pool. When you touch a button, it toggles between red and blue. A red button indicates it is selected.

Volume Control “Step Size” sets the amount of volume change each volume up/down key produces. Range is 1 to 5 steps.

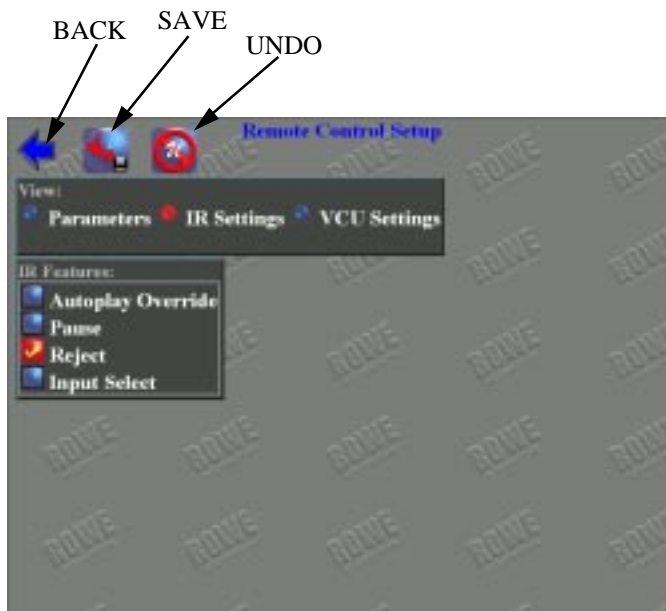
To change any value, touch it and the Keypad window will appear on the screen. Follow directions on page 9-30 for using the Keypad and saving the value(s) you enter.

“Mode Linkage” is factory set to “Independent”, which means normal selections (paid or free), Background Music, and Autoplay selections have separate volumes and each type can only be adjusted when that type is playing. If you want to lock Autoplays at a volume, then while an Autoplay is playing, adjust the volume then select “Locked Autoplay”. If you want Background Music and Autoplay volume to be equal, then select “Linked Background + Autoplay” (see “Adding a BGM Unit”).

“Channel Linkage” links the volume control of the channels together in the following combinations. Each time you touch a combination, the next choice will appear:

(Ch1, Ch2, Ch3, Ch4)	channels 1, 2, 3, 4 linked (factory setting)
(Ch1, Ch2); (Ch3, Ch4)	channels 1, 2 linked - channels 3, 4 linked
(Ch1, Ch2, Ch3); (Ch4)	channels 1, 2, 3 linked - channel 4 separate
(Ch1, Ch2, Ch4); (Ch3)	channels 1, 2, 4 linked - channel 3 separate
(Ch1, Ch3, Ch4); (Ch2)	channels 1, 3, 4 linked - channel 2 separate
(Ch2, Ch3, Ch4); (Ch1)	channels 2, 3, 4 linked - channel 1 separate
(Ch1, Ch2); (Ch3); (Ch4)	channels 1, 2 linked - channels 3 and 4 separate
(Ch1); (Ch2); (Ch3, Ch4)	channels 1 and 2 separate - channels 3 and 4 linked
(Ch1); (Ch2); (Ch3); (Ch4)	all channels separate (four mono channels)
(Ch1, Ch3); (Ch2, Ch4)	channels 1, 3 linked - channels 2, 4 linked

If you change the settings, touch SAVE to record your changes.



FOR STUDIO SOUND ONLY



FOR 2 CHANNEL PREAMP ONLY

## REMOTE CONTROL SETUP - IR SETTINGS

### IR SETTINGS:

Enables or disables Autoplay Override, Pause, Reject, and Input Select on the IR. Factory settings disable all except Reject. Touch on an item to change it. A red button with a yellow check mark indicates enabled.

### AUTOPLAY OVERRIDE:

Allows remote to turn autoplay on or off.

### PAUSE:

Pauses selection for a maximum of 10 minutes or until pause is pushed a second time – whichever comes first.

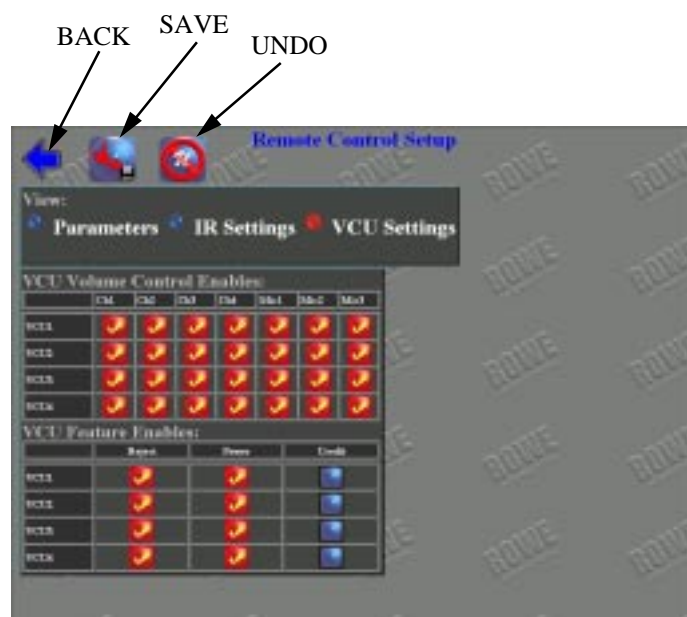
### REJECT:

Allows IR remote to cancel selection playing.

**INPUT SELECT:** Selects a different Front-end input each time input select is pushed. Do not enable this feature unless you require it.

**REJECT ALL:** Cancel all selections in queue by holding IR reject button down for 4 seconds.

If you change the settings, touch **SAVE** to record your changes.



## REMOTE CONTROL SETUP - VCU SETTINGS

This screen enables and disables individual switches on VCU's (Volume Control Unit's). Up to 4 VCU's can be connected to the phonograph. This allows different rooms to have their own volume control unit. To prevent a room from changing the volume, etc. of a different room, you can disable its switches as needed.

When you touch a button, it toggles between enabled and disabled. A red button with a yellow check mark indicates enabled. The factory setting enables all switches except Credit on all 4 VCU's.

### FOR STUDIO SOUND ONLY

If you change the settings, touch save to record your changes.

The phonograph comes with one VCU and its designated VCU1. If you add more VCU's, you need to open them and set the two position dip switch as follows:

VCU1 position 1	OFF	position 2	OFF
VCU2 position 1	OFF	position 2	ON
VCU3 position 1	ON	position 2	OFF
VCU4 position 1	ON	position 2	ON



**FOR STUDIO SOUND ONLY**

## MICROPHONE SETUP - SETUP

This is the first of two microphone screens. Touch “Routing” to access the other screen.

The microphones TYPE are factory set to “Paging” indicated by the red buttons and should not be changed to NA. If a paging button is blue, touch it to make it red.

The “Volume (dB)” displays the volume settings for the microphones.

The “Override (dB)” sets how low the music volume drops when a microphone is keyed. The factory settings are 33. The lower the value, the more it drops. To change a value, touch it and the Keypad window will appear on the screen. Follow directions on page 9-12 for using the Keypad and saving the value(s) you enter.



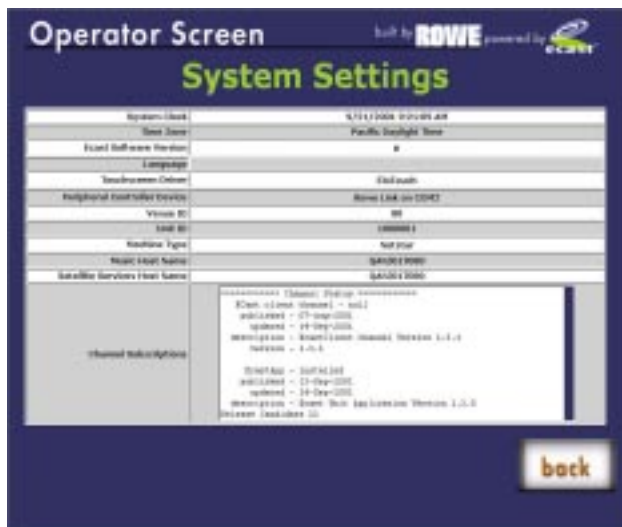
**FOR STUDIO SOUND ONLY**

## MICROPHONE SETUP - ROUTING

Each microphone can be routed to any of the six outputs (four channels and two aux).

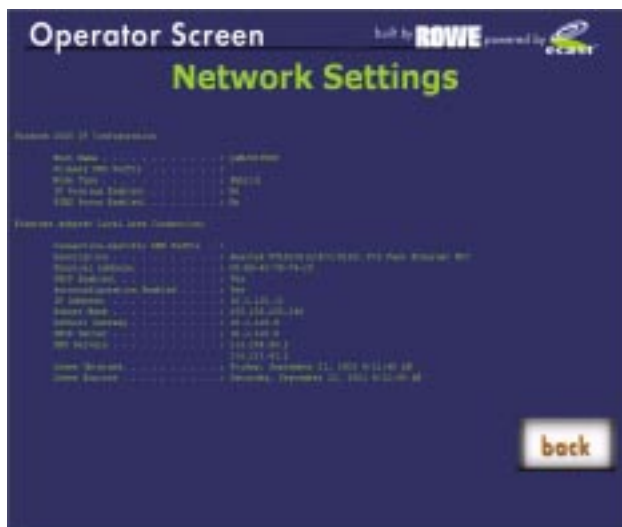
When you touch a button, it toggles between routed and not routed. A red button with a yellow check mark indicates routed. The factory setting routes all microphones to all six outputs.

If you change the settings, touch SAVE to record your changes.



## SYSTEM SETTINGS

A read-only screen showing the system settings and status.



## NETWORK SETTINGS

A read-only screen the showing network settings and status.



## SYSTEMDIAGNOSTICS

This screen is used to access the diagnostic screens.

Touch "back" to return to the previous screen.



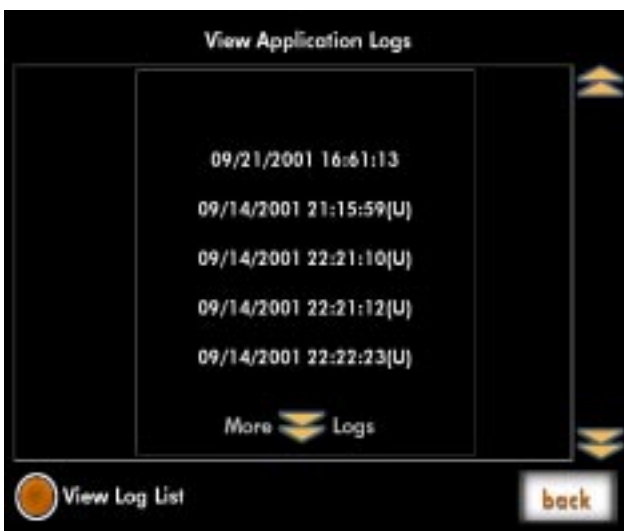
## QUICK DIAGNOSTICS

A read-only screen used for diagnostics.



## NETWORK DIAGNOSTICS

A read-only screen used for diagnostics.



## APPLICATION LOGS

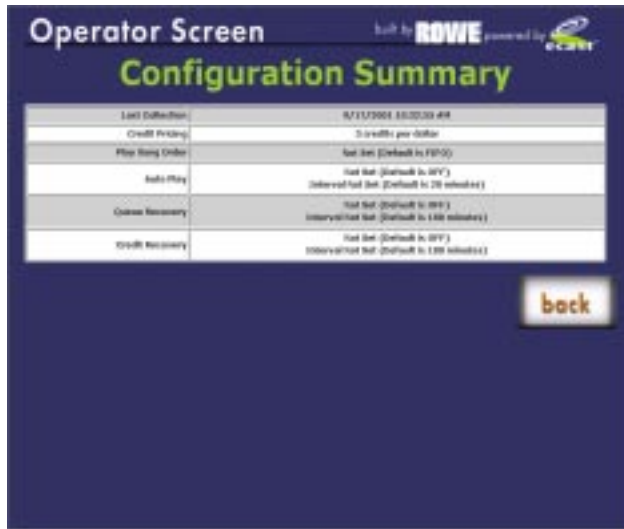
A read-only screen used for diagnostics.

Touch "back" to return to the previous screen.



## UPDATE CONTROLLER

**CAUTION:** Do not use the “Force Update” feature without prior approval from Customer Service.



## CONFIGURATION SUMMARY

A read-only screen.



## MUSIC FILTER

Categories with a check mark will not be played on this machine. Place or remove a check mark by touching the white box.

Touch "back" to return to the previous screen.

## SPANISH USER INTERFACE





## ADDING A BGM (BACKGROUND MUSIC) UNIT STUDIO SOUND ONLY

**Do not skip steps. All steps must be done to navigate properly through the menus. If you get lost, back through the menus by touching: back, the back arrow, or Back to Peripheral Setup.**

**Step 1.** Set the Background Music Delay. The delay is the number of seconds that elapse before Background Music plays. Time starts elapsing when the DLW-1 is at standby. To prevent background music between songs, set the delay to 10 or more seconds.

- Push SERVICE SWITCH to enter Main Menu.
- **Touch** Hardware/Diagnostics.
- **Touch** Configure Hardware.
- **Touch** System Configuration.
  - **Touch** box showing seconds of Background Delay.
    - **Touch** C to clear the present value, enter the seconds of delay you desire, and **touch** OK.
    - **Touch** SAVE arrow to record your changes
    - **Touch** BACK arrow to return to System Admin & Auditing.

**Step 2.** Plug a stereo BGM unit into the left and right Stereo A (BGM) Input, or Plug a mono BGM unit into the Mono C (BGM) Input.

- **Touch** Audio Modes to view Audio Modes, Input Select screen.
  - In the Background row, **Touch** the input you plugged the BGM unit into.
  - **Touch** Muting to view Audio Modes, Muting screen.
  - In the Background row, remove all check marks by **touching** them.
  - **Touch** SAVE arrow to record your changes
  - **Touch** BACK arrow to return to Hardware Setup.

**Step 3.** If the BGM unit has tone controls, set them for a flat response. Adjust the phonograph to a comfortable volume and listen to the Background Music. If the BGM unit has a volume control, increase it until the music starts to distort, then reduce it a little ways past where it no longer distorts. If the BGM unit does not have a volume control, and the BGM music sounds good (i.e. it's stable and not distorted), then skip to step 4.

When the Audio/Video Controller, Preset Input is at factory setting, a BGM signal greater than 1.0 volt is too high and may cause distortion. A signal less than 0.4 volt is too low and may cause unstable sound. If the BGM music is distorted or if the music is not stable, adjust the input of the Audio/Video Controller as follows:

- **Touch** Audio Volume Presets.
  - **Touch** the box (Stereo A, or Mono) you plugged the BGM unit into.
  - **Touch** C to clear the present value. Enter a lower value if music is distorted. Enter a higher value if music is not stable. **Touch** OK, then **Touch** SAVE arrow. If still distorted or not stable keep repeating "Touch C, enter new value, **Touch** OK, and **Touch** SAVE arrow" until its stable and not distorted.
  - **Touch** BACK arrow to return to Hardware Setup.

**Step 4.** The factory settings configure the phonograph for independent volume adjustment of music played by: customers, autoplay, and Background Music. You are adjusting the volume of: customer music when customer music is playing, autoplay when autoplay music is playing, and Background Music when Background Music is playing. If you want Background Music and autoplay music to have the same volume, then link them by doing the following. Otherwise **touch** Quit.

- **Touch** Remote Control Setup to view Remote Control Setup, Parameters screen.
  - **Touch** Linked Background + Autoplay
  - **Touch** SAVE arrow to record your changes
  - **Touch** BACK arrow to return to Hardware Setup.
  - **Touch** Quit.

## ADDING MICROPHONES STUDIO SOUND ONLY

**Do not skip steps. All steps must be done to navigate properly through the menus. If you get lost, back through the menus by touching: BACK, the BACK arrow, or Back to Peripheral Setup.**

**Up to three microphones can be plugged into the Audio/Video Controller and used for paging. Microphones can be Rowe, low-level balanced, or low-level unbalanced. All microphones must have a momentary PUSH to TALK switch (see Figure xxx).**

**Step 1.** Check microphone muting, Mic type, and VCU settings:

- Push SERVICE SWITCH to enter Main Menu.
- **Touch** Hardware/Diagnostics.
- **Touch** Configure Hardware.
- **Touch** Audio Modes to view Audio Modes, Input Select screen.
- **Touch** Muting to view Audio Modes, Muting screen.
  - In the Microphone row, remove any check marks by **touching** them.
- **Touch** BACK arrow to return to Hardware Setup.
- **Touch** Microphone Setup to view Microphone Setup, Setup screen.
  - The paging column should have all red dots. **Touch** any blue to make it red.
- **Touch** BACK arrow to return to Hardware Setup.
- **Touch** Remote Control Setup to view Remote Control, Parameters screen.
- **Touch** VCU Settings to view Remote Control, VCU Settings screen.
  - In the VCU1 row, **touch** the microphones you are adding, that do not have a check mark.
- **Touch** SAVE arrow to record your changes

**Step 2.** Plug in the microphone(s). If you are adding only low-level microphones, go to Step 3. Rowe microphones have a built-in volume control, but are also affected by the microphone volume settings of the phonograph Volume Control Unit. Set the volume control on each Rowe microphone you are adding to maximum, and do a test page with them. Remove any distortion by lowering the corresponding microphone volume on the phonograph Volume Control Unit. Then do the following to disable those microphone keys on the VCU.

- **Touch** Parameters to view Remote Control, Parameters screen.
- **Touch** VCU Settings to view Remote Control, VCU Settings screen.
  - In the VCU1 row, remove check marks corresponding to Rowe microphones by **touching** them.
- **Touch** SAVE arrow to record your changes

**Step 3.** Use the phonographs' Volume Control Unit to control the volume of the low-level microphones. Do a test page with each low-level microphone.

**Step 4.** During paging, the music level drops to whichever is greater: 6 db or the override settings. Each channel has its own override setting in the range of 0 to 63, and channels 1, 2, 3, and 4 are factory set to 33. Set to 63 if you want minimum reduction of the music. To change the override settings:

- **Touch** BACK arrow to return to Hardware Setup.
- **Touch** Microphone Setup to show Microphone Setup, Setup screen.
- For each override setting.
  - **Touch** box showing override value.
    - **Touch** C to clear the present value, enter the new value, and **touch** OK.
- **Touch** SAVE arrow to record your changes

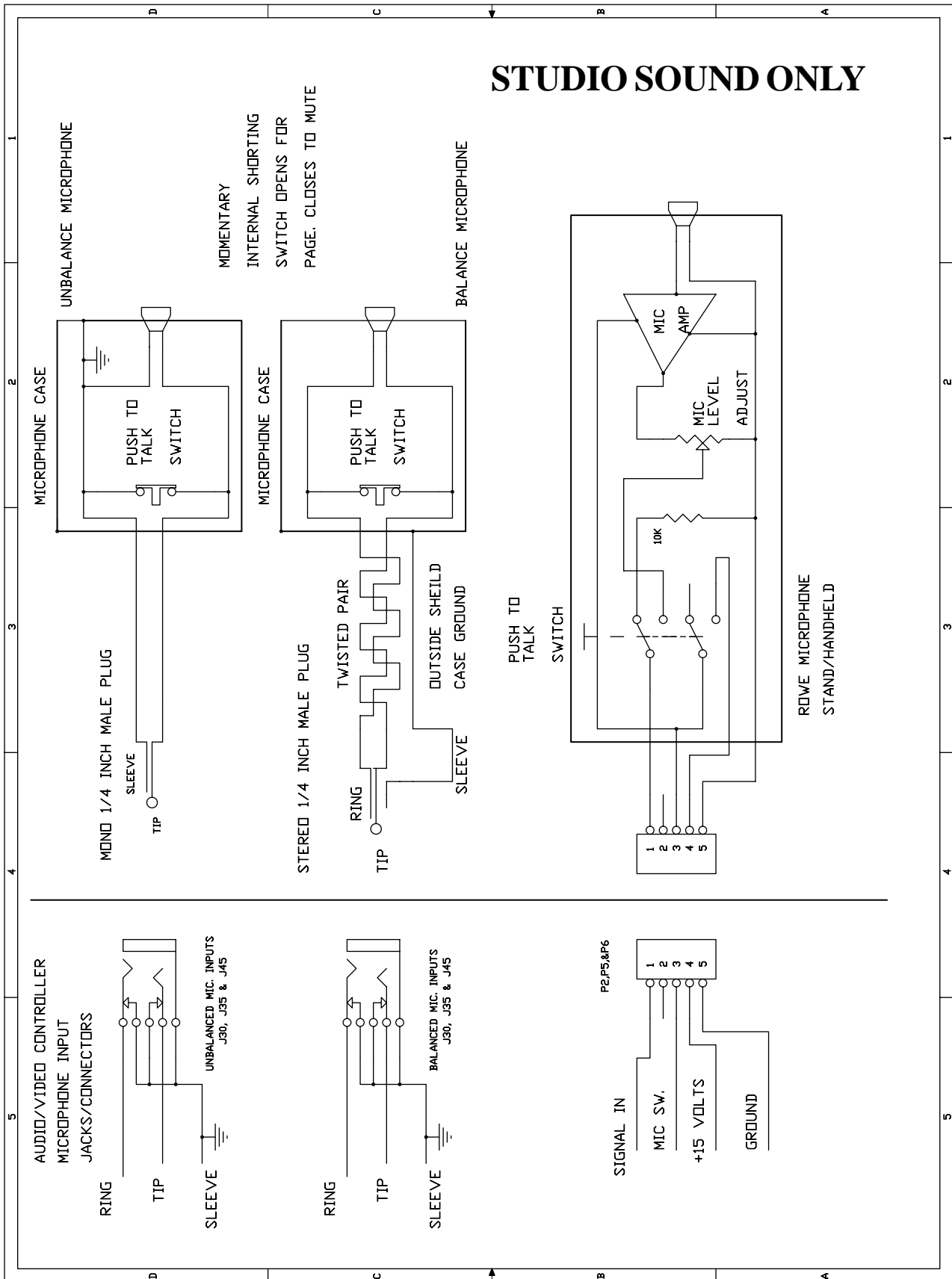
**Step 5.** Each microphone can be routed to any combination of the six output channels: 1, 2, 3, 4, AuxL, and AuxR. The factory setting route all 3 microphones to all six output channels. To change the routing:

- **Touch** Routing to show Microphone Setup, Routing screen.
- Set the routing for each microphone. When you **touch** a button, it toggles between routed and not routed. A red button with a yellow check mark indicates routed.
- **Touch** SAVE arrow to record your changes.
- **Touch** BACK arrow to return to Hardware Setup.

**Step 6.** When a microphone is keyed, the Audio/Video Controller can select its front-end input signal from the Sound Card, Stereo A, Stereo B, Mono, or Unchanged. The factory setting of Unchanged does not switch front-end inputs when a microphone is keyed. Do the following if you want a specific front-end input, else **Touch** Quit.

- **Touch** Audio Modes to view Audio Modes, Input Select screen.
  - In the Microphone row, **touch** the front-end input you want.
  - **Touch** SAVE arrow to record your changes.
- **Touch** BACK arrow to return to Hardware Setup.
- **Touch** Quit.

# STUDIO SOUND ONLY



## SEPARATE VOLUME CONTROL of SPEAKER ZONES STUDIO SOUND ONLY

Do not skip steps. All steps must be done to navigate properly through the menus. If you get lost, back through the menus by touching: back, the back arrow, or Back to Peripheral Setup.

### TWO MONO ZONES or FOUR MONO ZONES

The Main/Phono Amplifier gets its input from Audio/Video Controller outputs Ch1 and Ch2 and supplies two mono zones. A second amplifier, with its inputs connected to Audio/Video Controller outputs Ch3 and Ch4, would supply two additional mono zones.

- Step 1.** Set the output mode of Audio/Video Controller to mono/mono.
- Push SERVICE SWITCH to enter Main Menu.
  - **Touch** Hardware/Diagnostics.
  - **Touch** Configure Hardware.
  - **Touch** Audio Modes to view Audio Modes, Input Select screen.
    - **Touch** Output Mode to view Audio Modes, Output Mode screen.
    - The mono/mono column needs to have all red dots. **Touch** blue to make it red.
    - **Touch** BACK arrow to return to Hardware Setup.
- Step 2.** Set the Channel linkage for separate volume control.
- **Touch** Remote Control Setup to view Remote Control, Parameters screen.
  - Repeatedly **Touch** the Channel Linkage choices until it shows (Ch1); (Ch2); (Ch3); (Ch4)
  - **Touch** SAVE arrow to record your changes.
  - **Touch** BACK arrow to return to Hardware Setup.
  - **Touch** Quit.

### TWO MONO ZONES and ONE STEREO ZONE

This requires a second amplifier. The Main/Phono Amplifier gets its input from Audio/Video Controller outputs Ch1 and Ch2 and supplies two mono zones. The second amplifier gets its input from Audio/Video Controller outputs Ch3 and Ch4 and supplies a stereo zone.

- Step 1.** Set the output mode of Audio/Video Controller Ch1&Ch2 to mono/mono, and Ch3&Ch4 to stereo/stereo.
- Push SERVICE SWITCH to enter Main Menu.
  - **Touch** Hardware/Diagnostics.
  - **Touch** Configure Hardware.
  - **Touch** Audio Modes to view Audio Modes, Input Select screen.
    - **Touch** Output Mode to view Audio Modes, Output Mode screen.
    - The mono/mono column needs to have red dots for all Ch1&Ch2. **Touch** blue to make it red.
    - The stereo/stereo column needs to have red dots for all Ch3&Ch4. **Touch** blue to make it red.
    - **Touch** BACK arrow to return to Hardware Setup.
- Step 2.** Set the Channel linkage for separate volume control of Ch1&Ch2, and linked control of Ch3&Ch4.
- **Touch** Remote Control Setup to view Remote Control, Parameters screen.
  - Repeatedly **Touch** the Channel Linkage choices until it shows (Ch1); (Ch2); (Ch3, Ch4)
  - **Touch** SAVE arrow to record your changes.
  - **Touch** BACK arrow to return to Hardware Setup.
  - **Touch** Quit.

## ONE STEREO ZONE and TWO MONO ZONES

This requires a second amplifier. The Main/Phono Amplifier gets its input from Audio/Video Controller outputs Ch1 and Ch2 and supplies a stereo zone. The second amplifier gets its input from Audio/Video Controller outputs Ch3 and Ch4 and supplies two mono zones.

**Step 1.** Set the output mode of Audio/Video Controller Ch1&Ch2 to stereo/stereo, and Ch3&Ch4 to mono/mono.

- Push SERVICE SWITCH to enter Main Menu.
- **Touch** Hardware/Diagnostics.
- **Touch** Configure Hardware.
- **Touch** Audio Modes to view Audio Modes, Input Select screen.
  - **Touch** Output Mode to view Audio Modes, Output Mode screen.
  - The stereo/stereo column needs to have red dots for all Ch1&Ch2. **Touch** blue to make it red.
  - The mono/mono column needs to have red dots for all Ch3&Ch4. **Touch** blue to make it red.
  - **Touch** BACK arrow to return to Hardware Setup.

**Step 2.** Set the Channel linkage for linked control of Ch1&Ch2, and of separate volume control Ch3&Ch4.

- **Touch** Remote Control Setup to view Remote Control, Parameters screen.
- Repeatedly **Touch** the Channel Linkage choices until it shows (Ch1, Ch2); (Ch3); (Ch4)
- **Touch** SAVE arrow to record your changes.
- **Touch** BACK arrow to return to Hardware Setup.
- **Touch** Quit.

## TWO STEREO ZONES

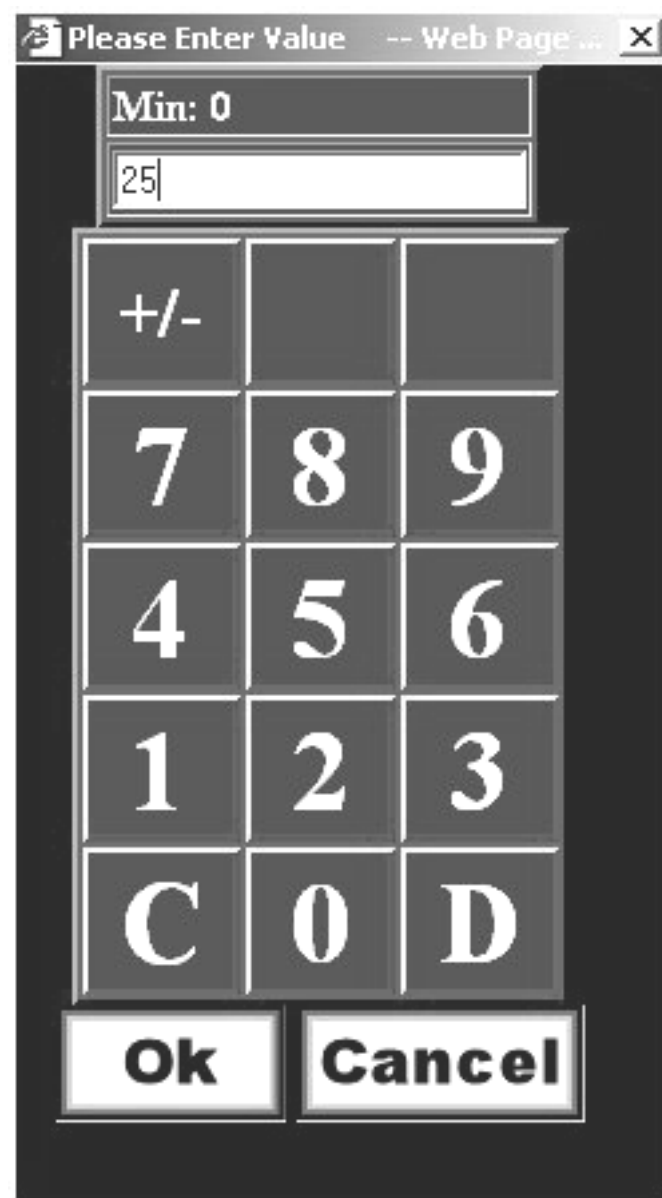
This requires a second amplifier. The Main/Phono Amplifier gets its input from Audio/Video Controller outputs Ch1 and Ch2 and supplies one stereo zone. The second amplifier gets its input from Audio/Video Controller outputs Ch3 and Ch4 and supplies another stereo zone.

**Step 1.** Set the output mode of Audio/Video Controller to mono/mono.

- Push SERVICE SWITCH to enter Main Menu.
- **Touch** Hardware/Diagnostics.
- **Touch** Configure Hardware.
- **Touch** Audio Modes to view Audio Modes, Input Select screen.
  - **Touch** Output Mode to view Audio Modes, Output Mode screen.
  - The stereo/stereo column needs to have all red dots. **Touch** blue to make it red.
  - **Touch** BACK arrow to return to Hardware Setup.

**Step 2.** Set the Channel linkage for linked volume control of Ch1&Ch2, and linked volume control of Ch3&Ch4

- **Touch** Remote Control Setup to view Remote Control, Parameters screen.
- Repeatedly **Touch** the Channel Linkage choices until it shows (Ch1, Ch2); (Ch3, Ch4)
- **Touch** SAVE arrow to record your changes.
- **Touch** BACK arrow to return to Hardware Setup.
- **Touch** Quit.



## KEYPAD

Operator Screen Programming may require numbers to be input on the various screens. When this is the case, a pop-up keypad will appear on the screen with a value in it from the space you touched. Touch C to clear the value, enter the value desired, and press OK. The D key deletes the last digit entered.

After entering all your values, touch the SAVE button on the operator screen to have the new value(s) take effect.

This page left intentionally blank



## Section 11: Parts Catalog

<b>INTRODUCTION</b> .....	11-3
Catalog Description .....	11-3
Parts List Description .....	11-3
Ordering Replacement Parts .....	11-3
<b>MAIN DOOR ASSEMBLY (EXTERNAL VIEW) 17" FLAT SCREEN</b> .....	11-4
<b>MAIN DOOR ASSEMBLY (EXTERNAL VIEW) 15" FLAT SCREEN</b> .....	11-6
<b>MAIN DOOR ASSEMBLY (INTERNAL VIEW) 15" and 17" FLAT SCREEN</b> .....	11-8
<b>SHELL ASSEMBLY (INTERNAL VIEW) 1000 WATT STUDIO SOUND</b> .....	11-12
<b>SHELL ASSEMBLY (INTERNAL VIEW) 1000 WATT 2 CHANNEL PREAMP</b> .....	11-13
<b>CORE COMPUTER ASSEMBLY</b> .....	11-18
<b>I/O SUBASSEMBLY - LEFT</b> .....	11-20
<b>I/O SUBASSEMBLY - RIGHT</b> .....	11-21
<b>INTERMEDIATE BOARD SUB-ASSEMBLY</b> .....	11-22
<b>COMPUTER DRIVE DOOR ASSEMBLY</b> .....	11-23
<b>POWER SUPPLY ASSEMBLY</b> .....	11-24
<b>A/V CONTROLLER - 4 CHANNEL</b> .....	11-25
<b>2 CHANNEL PREAMP</b> .....	11-26
<b>OUTPUT TRANSFORMER ASSEMBLY</b> .....	11-27
<b>ROWELINK CONTROLLER ASSEMBLY</b> .....	11-28
<b>HANGER BRACKET ASSEMBLY</b> .....	11-29
<b>ACCESSORY EQUIPMENT</b> .....	11-30

This page intentionally left blank.

# INTRODUCTION

This parts catalog lists replacement parts for the phonograph. The purpose of this parts catalog is to locate and identify replaceable components and supply information on how to order them.

## Catalog Description

This catalog is divided into major sections labeled with figure numbers, which correspond to the illustrations used. Some assemblies require more than one illustration to identify the parts. Each page has a sheet number to identify the sheet as part of that assembly's parts list.

Replacing parts that are welded or riveted onto an assembly is normally impractical. Therefore, replacement parts are not listed for these items. The assembly containing the welded or riveted part should be replaced.

## Parts List Description

The parts list contains four columns:

- **Figure, Sheet, and Index Number** — The first entry in this column is the figure number of the corresponding illustration. An index number, when listed, corresponds to the index number appearing on the illustration. Index numbers are not used when items are listed for reference purposes only or when the item listed is an alternate part.
- **Rowe Part Number** — This column lists the part number to use when ordering replacement parts or making inquiries.
- **Description** — This column gives a word description of each part or assembly. Each item is indented to show its relationship to the next higher assembly.
- **Qty** — This column contains the part quantity used in the assembly. When a figure describes more than one model of an assembly, the “Qty” column is divided to show each model.

## Ordering Replacement Parts

All replacement parts must be ordered directly from an Authorized Rowe® Distributor.

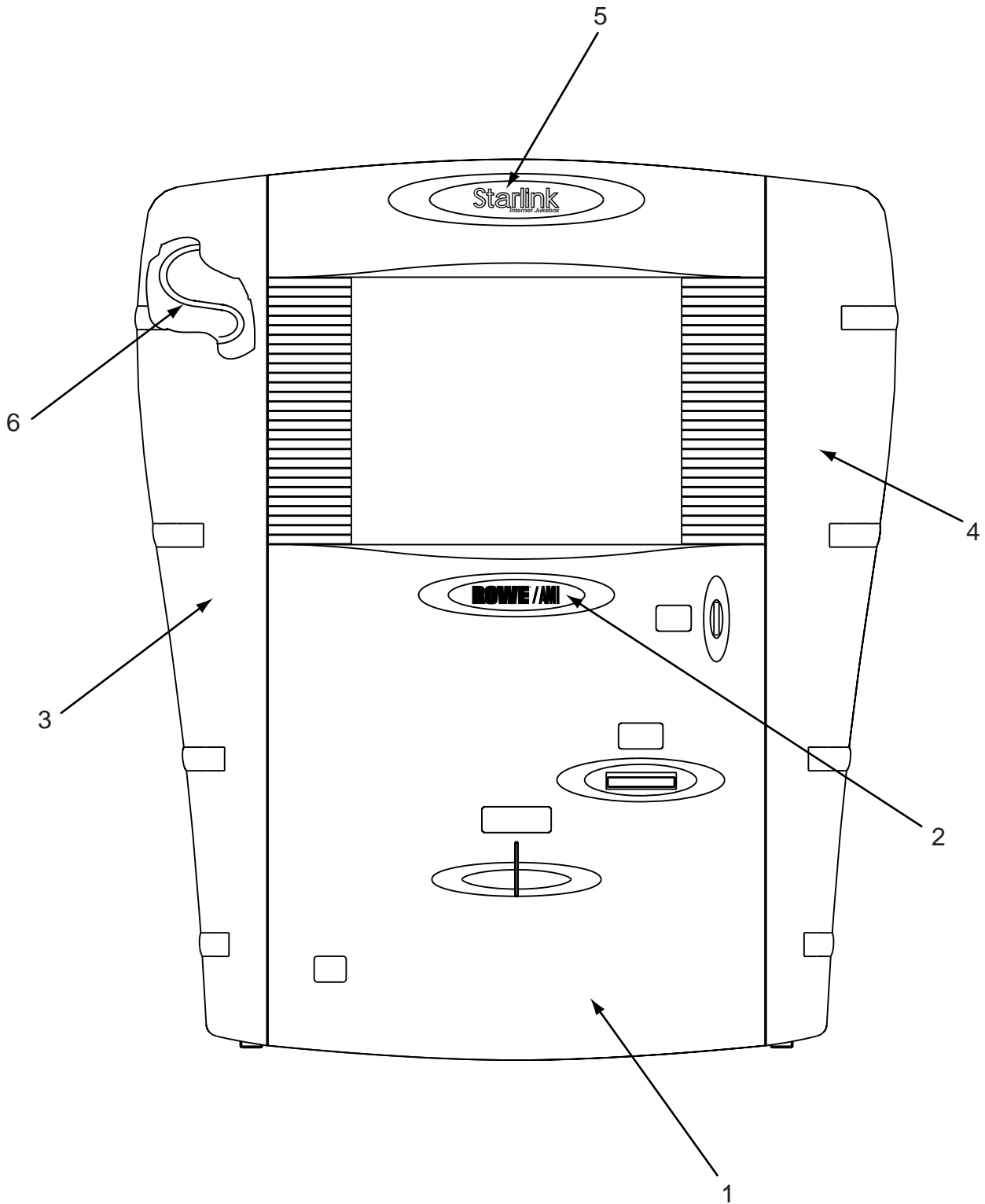
Once the replacement item has been determined, complete a Standard Parts Order Form (available from your Rowe® Distributor at no charge). Very often, parts orders are delayed because of inadequate or incomplete parts order forms. To enable prompt delivery, always specify the following information:

- Part Number and Description (indicate color, if applicable)
- Quantity Required
- Machine Model and Serial Number
- Complete Shipping Address, including the ZIP code
- Shipping Instructions must be supplied. If the shipping method is Parcel Post, Air Parcel Post, United Parcel Service, or Air UPS, and the packages may exceed the size and weight limits of these services, indicate an alternate shipping method.

If the shipment must be delivered as fast as possible, specify “Fastest Way”. Rowe® will select the carrier for orders that justify shipment by truck.

**Figure 11-1. Main Door Assembly (External View)**

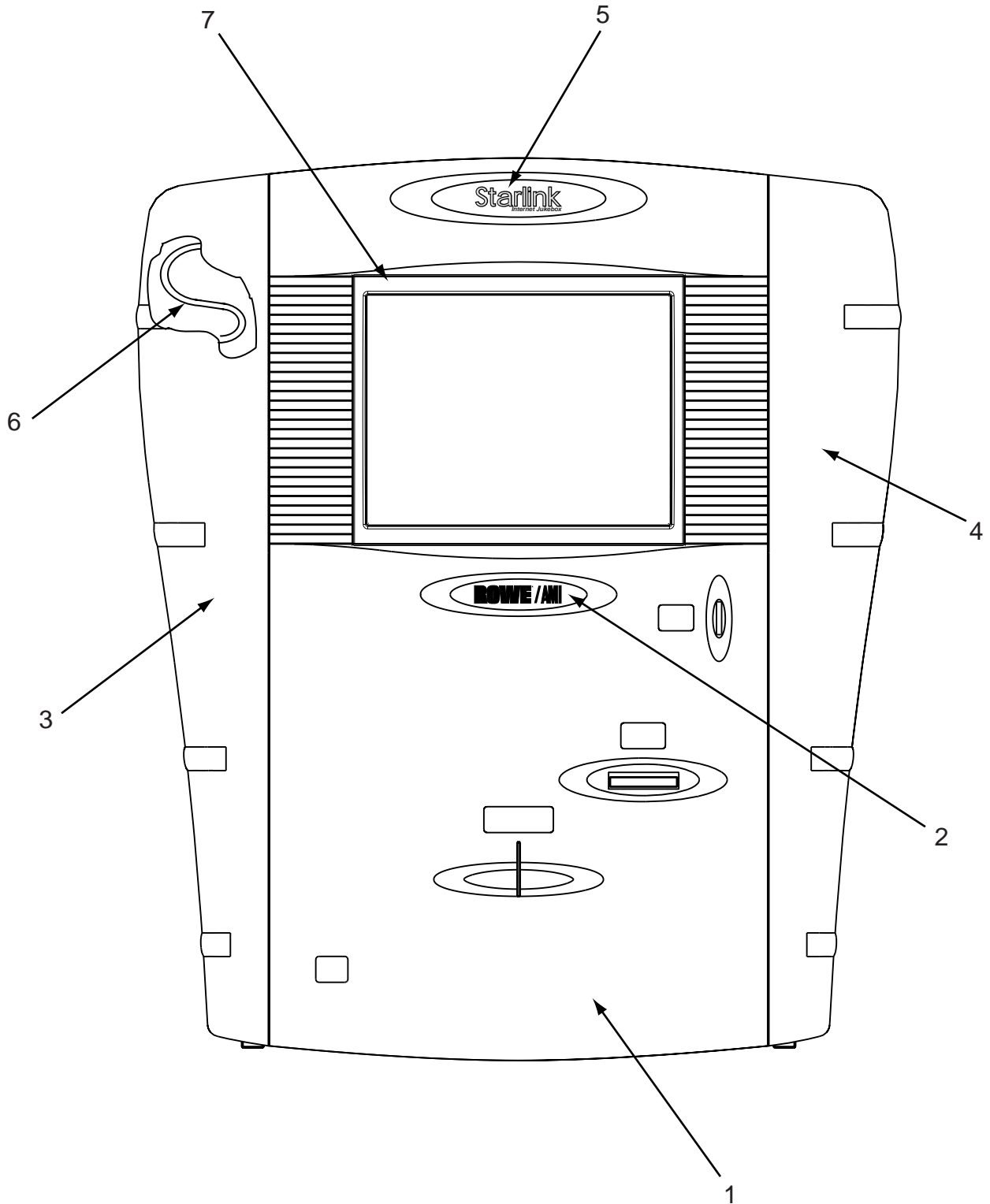
7" FLAT SCREEN



**Figure 11-1. Main Door Assembly (External View) 17" FLAT SCREEN**

<b>Ref.</b>	<b>Part No.</b>	<b>Description</b>	<b>Qty</b>
	22152001	Main Door Assembly (Silver).....	Ref.
	22152002	Main Door Assembly (Black) .....	Ref.
1	22148001	Center Door Panel (Silver/Grey) .....	1
	22148002	Center Door Panel (Black/Grey) .....	1
2	22149202/03	Lower Logo Glass (02 Lavender background, 03 Red/Orange background) ...	1
3	22148102/01	Lens - Wing (Left) (01 Translucent White, 02 Translucent) .....	1
4	22148202/01	Lens - Wing (Right) (01 Translucent White, 02 Translucent) .....	1
5	22149302	Upper Logo Glass .....	1
6	22152701	Neon Assembly - Straight (for 22152001 Main Door - Silver) .....	1
	22152801	Neon Assembly - Curved (for 22152002 Main Door - Black) .....	1

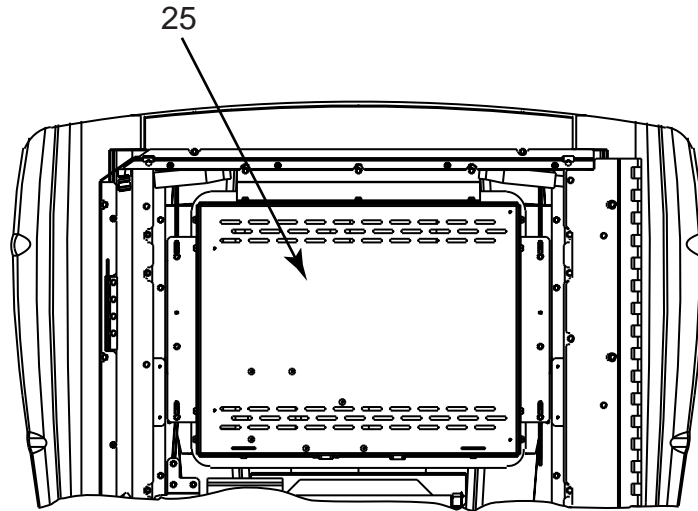
Figure 11-1A. Main Door Assembly (External View) 15" FLAT SCREEN



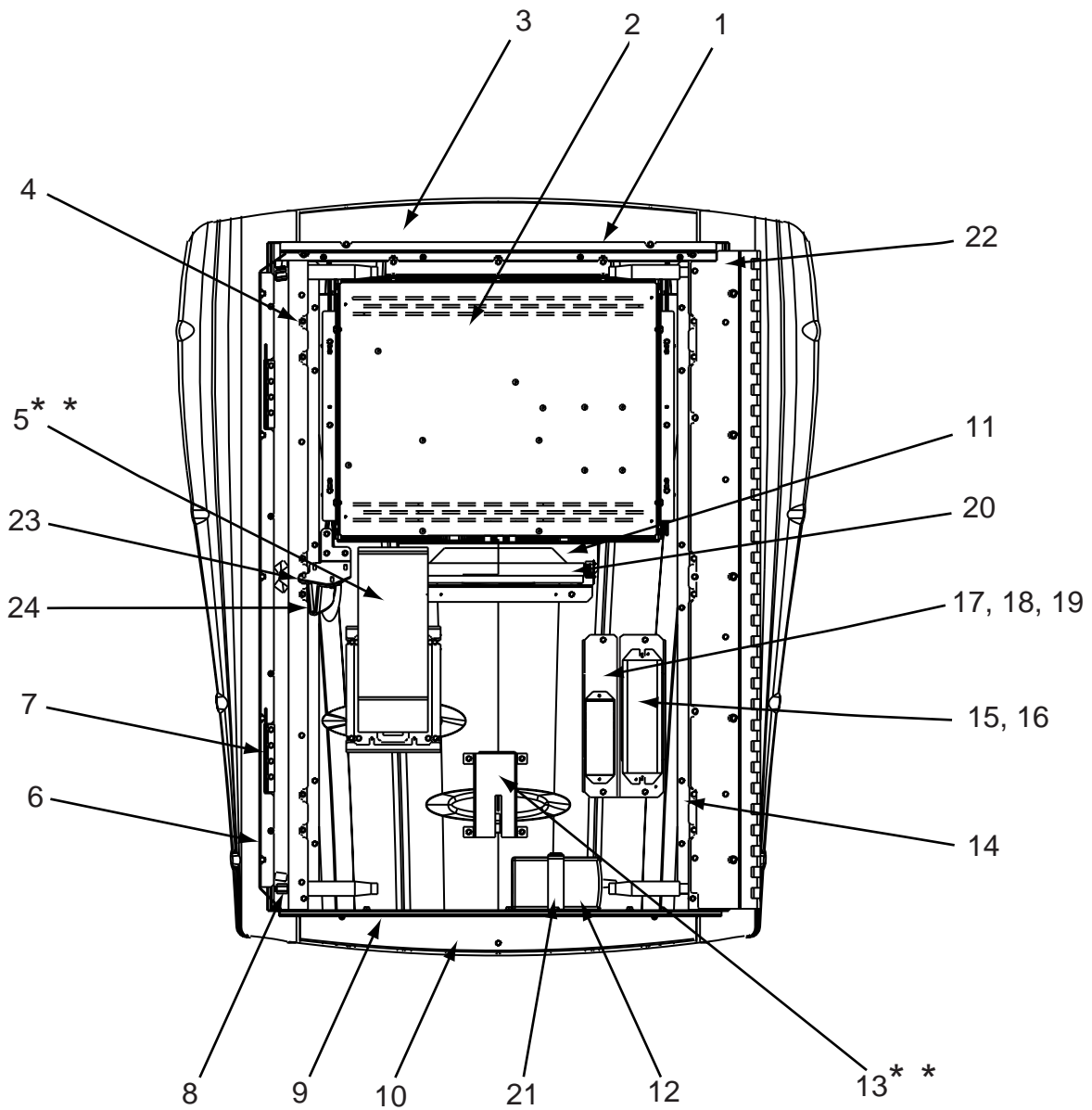
## Figure 11-1A. Main Door Assembly (External View) 15" FLAT SCREEN

Ref.	Part No.	Description	Qty
	22152003	Main Door Assembly (Silver).....	Ref.
	22152004	Main Door Assembly (Black) .....	Ref.
1	22148001	Center Door Panel (Silver/Grey) .....	1
	22148002	Center Door Panel (Black/Grey) .....	1
2	22149202/03	Lower Logo Glass (02 Lavender background, 03 Red/Orange background) ...	1
3	22148102/01	Lens - Wing (Left) (01 Translucent White, 02 Translucent) .....	1
4	22148202/01	Lens - Wing (Right) (01 Translucent White, 02 Translucent) .....	1
5	22149302	Upper Logo Glass .....	1
6	22152701	Neon Assembly - Straight (for 22152003 Main Door - Silver) .....	1
	22152801	Neon Assembly - Curved (for 22152004 Main Door - Black) .....	1
7	61139301	Bezel - Adaptor 15" Flatscreen .....	1

**Figure 11-2. Main Door Assembly (Internal View)**



**15" Flat Screen**



**17" Flat Screen**



**Figure 11-2. Main Door Assembly (Internal View)**

Ref.	Part No.	Description	Qty
	22152001	Main Door Assembly (Silver/Grey) .....	Ref.
	22152002	Main Door Assembly (Black/Grey) .....	Ref.
1	22149701	Security Bracket - Top .....	1
	80443004	#8-32 x 1/4 Hex WRHMS .....	4
2	22151901	17" Flat Screen w/Mount .....	1
	89293608	#8 x 1/2 Hex WRHS Hi-Lo .....	9
3	22148501	Bracket - Top .....	1
	89293008	#8 x 1/2 Hex WRHS Hi-Lo .....	2
	22151601	Top Bracket and Light Assembly .....	1
	70060103	Lamp - Fluorescent .....	1
	89293605	#8 x 5/16 Hex WRHS Hi-Lo .....	2
4	22148301	Extrusion - Door Side .....	2
	89293008	#8 x 1/2 Hex WRHS Hi-Lo .....	2
	61137701	C Channel (LH) .....	1
	61137801	C Channel (RH) .....	1
	89293605	#8 x 5/16 Hex WRHS Hi-Lo .....	12
5**	22135602	Bill Acceptor .....	1
6	22149901	Bracket - Security (Side) .....	1
	80443006	#8-32 x 3/8 Hex WRHMS (SF) .....	8
7	22149501	Strike - Door .....	2
	80443006	#8-32 x 3/8 Hex WRHMS .....	6
8	22117201	Clip - Neon Bulb (for Black Phonographs) .....	6
	22117201	Clip - Neon Bulb (for Silver Phonographs) .....	4
9	22149801	Bracket - Security Bottom .....	1
	80443004	#8-32 x 1/4 Hex WRHMS .....	3
10	22148601	Bracket - Bottom .....	1
	89293608	#8 x 1/2 Hex WRHS Hi-Lo .....	3
11	34041801	Bracket - Glass Retainer (Bottom) .....	1
	89293605	#8 x 5/16 Hex WRHS Hi-Lo .....	2
12	22153802	Flat Screen Power Supply .....	1
13**	22152501	Card Reader Assembly .....	1
14	22148701	Clamp - Wing .....	6
	80443006	#8-32 x 3/8 Hex WRHMS (SF) .....	12
15	34041601	Ballast - Two Lamp 50/60 Hz .....	1
16	34043301	Ballast Mounting Bracket .....	1
17	34043201	Neon Transformer Mounting Bracket .....	1
18	34043101	Neon Power Supply Shield .....	1
19	34015304	Power Supply Transformer .....	1
20	22151701	Light Assembly - Logo (Lower) .....	1
	89293605	#8 x 5/16 Hex WRHS Hi-Lo .....	2
	70060103	Lamp - Fluorescent .....	1

Continued on Page 11-10

## Figure 11-2. Main Door Assembly (Internal View)

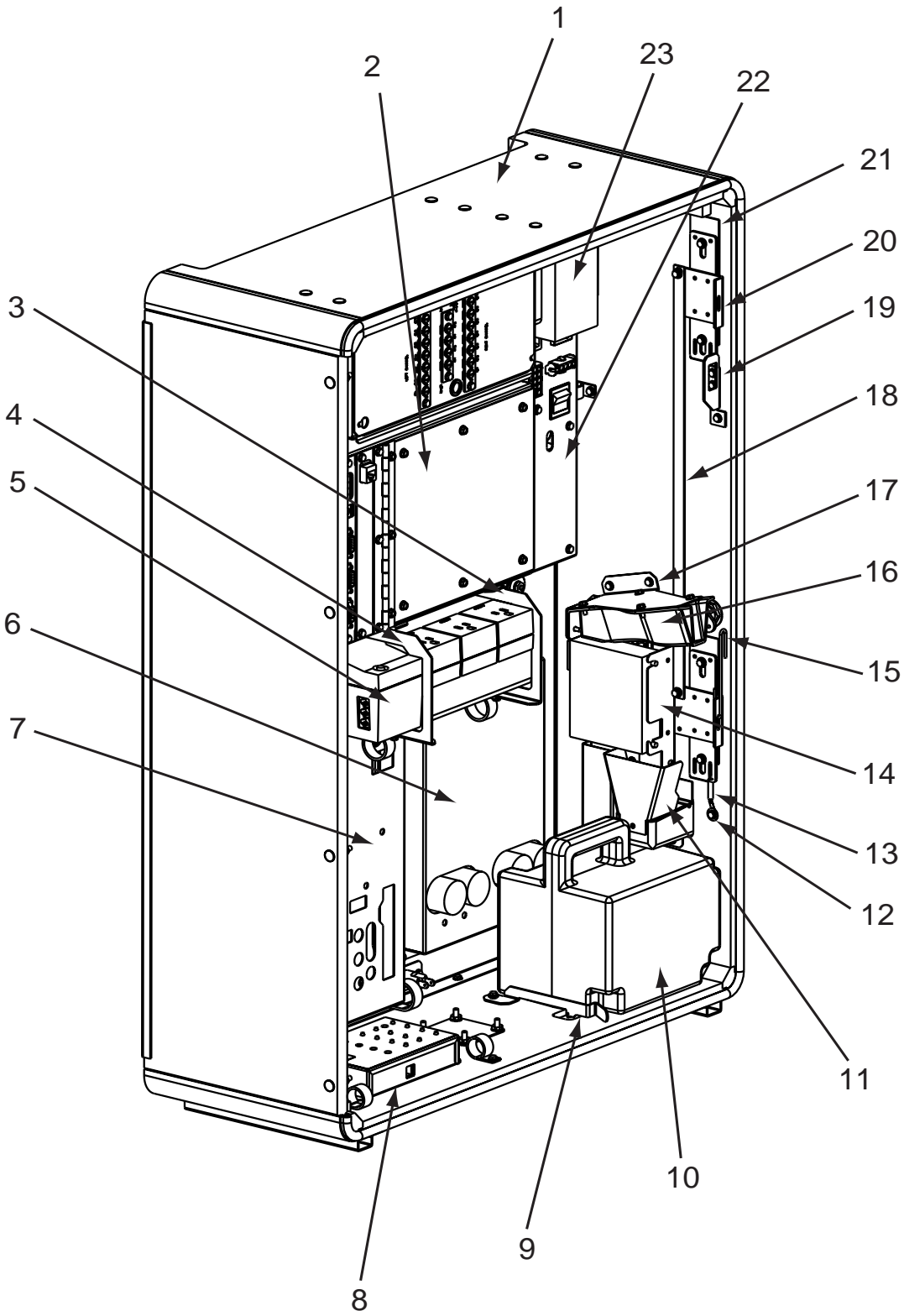
Continued from Page 10-9

Ref.	Part No.	Description	Qty
21	22153901	Bracket Assembly - Flatscreen Transformer .....	1
	80443006	#8-32 x 3/8 Hex WRHMS (SF) .....	1
22	22148901	Hinge - Door .....	1
	80443006	#8-32 x 3/8 Hex WRHMS .....	9
23	34041501	Bracket - Chute Mounting (Door) .....	1
	89293006	#8 x 3/8 Hex WRHS (Hi-Lo) .....	3
24	40927601	Chute - Coin Door .....	1
	80443006	#8-32 x 3/8 Hex WRHMS .....	4
25	22160801	15" Flat Screen w/Mount .....	1
<b>NOT SHOWN:</b>			
	34039910	Harness - Neon Interconnect .....	1
	34038902	Harness - Mod Card Reader .....	1
	40898710	Harness - Door (120 V) .....	1

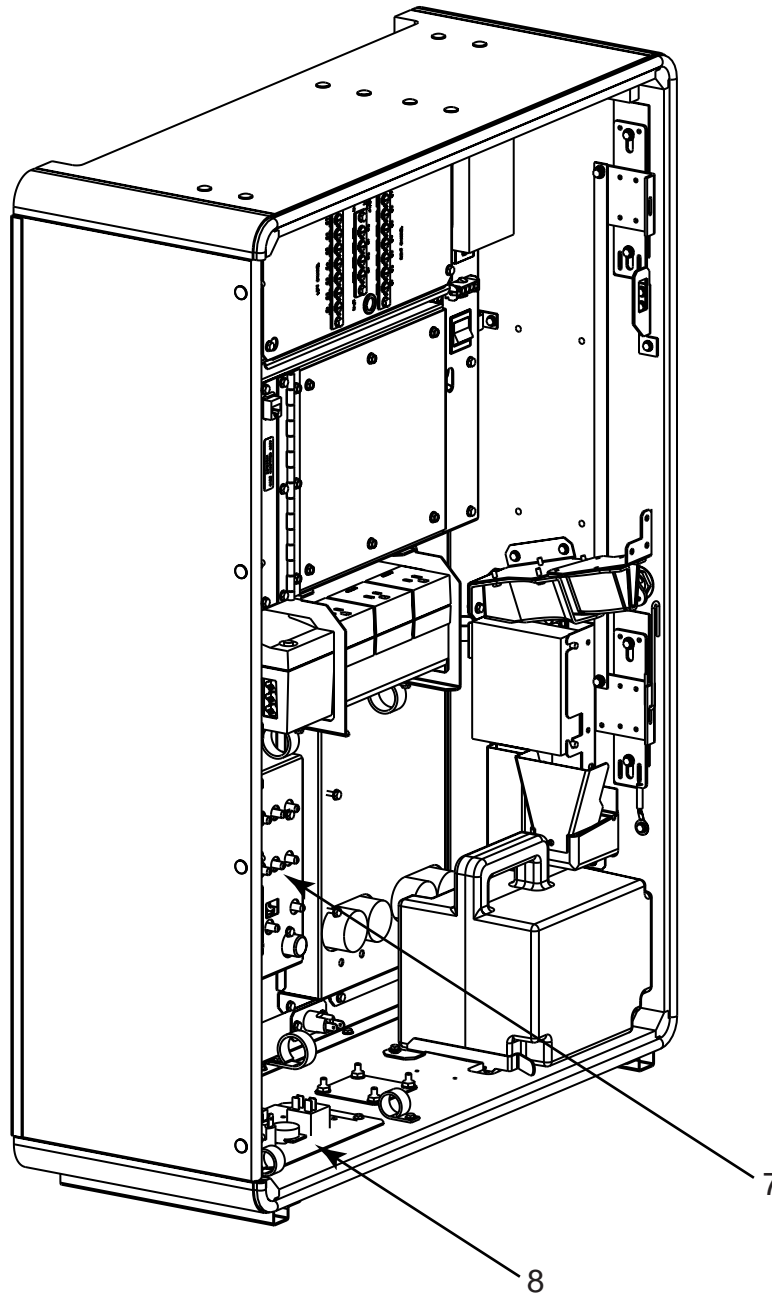
**(\*\*) NOT INCLUDED AS PART OF DOOR ASSEMBLY**

This page intentionally left blank

Figure 11-3. Shell Assembly (Internal View) 1000 Watt Studio Sound

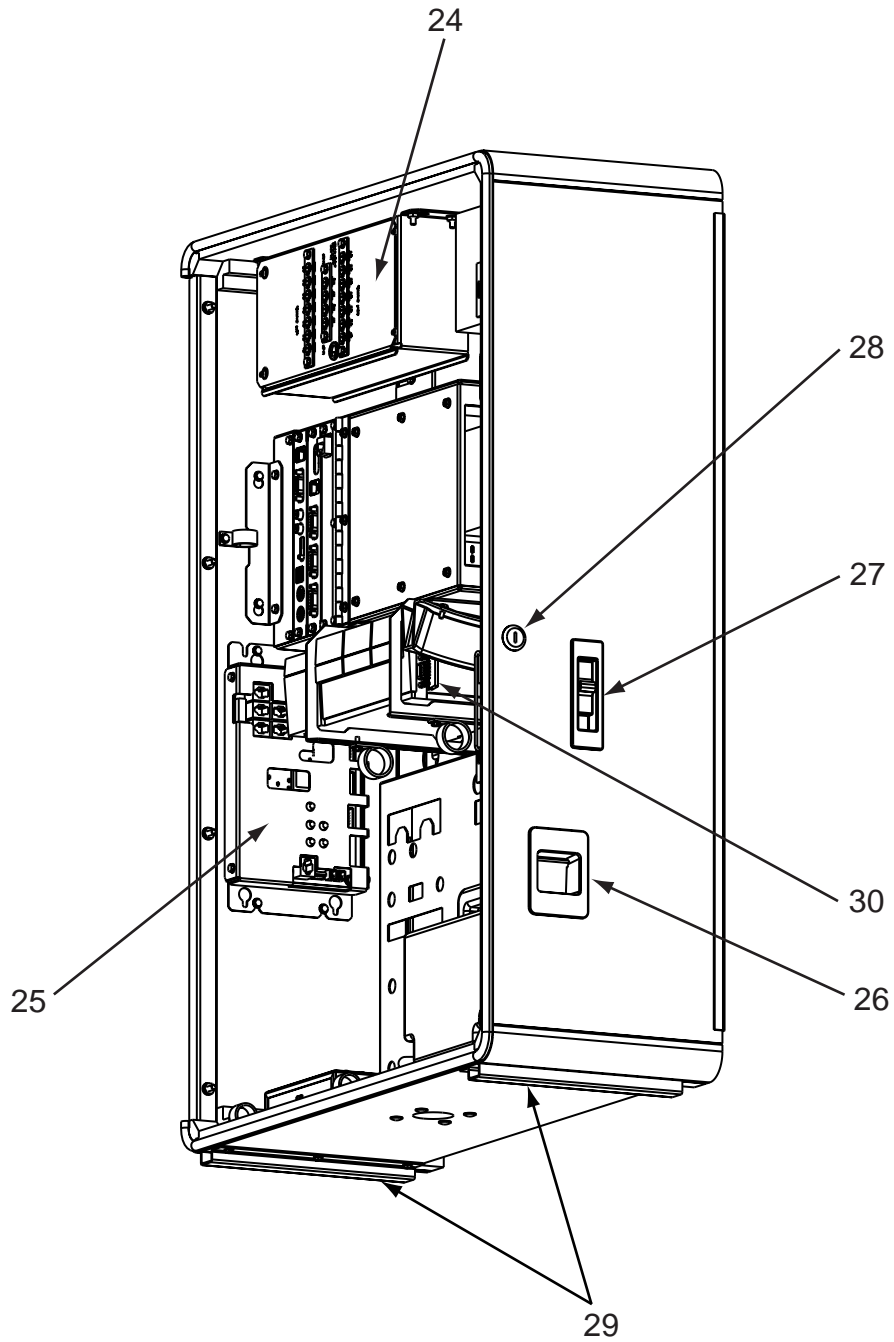


**Figure 11-3A. Shell Assembly (Internal View) 1000 Watt 2 Channel Preamp**



**Figure 11-3B. Shell Assembly (Internal View)**

**1000 Watt Studio Sound and 1000 Watt 2 Channel Preamp**



Components in this view are common to the  
Studio Sound and 2 Channel Preamp

## Figure 11-3, 11-3A, and 11-3B. Shell Assembly (Internal View)

### 1000 Watt Studio Sound and 1000 Watt 2 Channel Preamp

Ref.	Part No.	Description	Qty
		Shell Assembly Internal View .....	Ref.
1	22147401	Shell Assembly .....	1
2	22143802	Core Computer Assembly (See Figure 11-4) .....	1
	22146601	Computer Mounting Bracket (Left) .....	1
	22146701	Computer Mounting Bracket (Rear) .....	1
	80443006	#8-32 x 3/8 Hex WRHMS (Thread Forming) .....	4
3	22150201	UPS Support (Right) .....	1
	80443006	#8-32 x 3/8 Hex WRHMS (Thread Forming) .....	2
4	22150101	UPS Support (Left) .....	1
	80443006	#8-32 x 3/8 Hex WRHMS (Thread Forming) .....	2
5	40927401	UPS - 320SL .....	1
	34040901	CBA - UPS Interface .....	1
6	61132003	Amplifier - Extra Cool Audio (1000 Watt) .....	1
	80443006	#8-32 x 3/8 Hex WRHMS (Thread Forming) .....	4
7	40917401	A/V Controller - 4 Channel (see Figure 11-10) for 1000 Watt Studio Sound .....	1
	61138701	Preamp Assembly - 2 Channel .....	1
8	34032903	Volume Control Unit for 1000 Watt Studio Sound .....	1
	22145604	Switch and Volume Control Assembly for 1000 Watt 2 Channel Preamp .....	1
	86663610	#8 x 5/8 Hex WRHS Type 17 .....	4
9	22146901	Retainer-Coin Container .....	1
	20922502	Spacer .....	1
	86663610	#8 x 5/8 Hex WRHS Type 17 .....	1
	21256201	Tension Spring .....	1
	70091702	Lug - Solder .....	1
10	22146801	Container - Coins .....	1
11	34008301	Chute - Slug .....	1
	80662308	#6-32 x 1/2 Hex WRHMS .....	1
	21357802	#6-32 Elastic Stop Nut .....	1
12	70091702	Lug - Solder .....	1
13	21256201	Spring - Tension .....	1
14	30984404	Holder Assembly - Coin Mech .....	1
	86663610	#8 x 5/8 Hex WRHS Type 17 .....	2
15	21865308	Link .....	1
16	40927701	Chute - Coin (Cabinet) .....	1
	80443006	#8-32 x 3/8 Hex WRHMS .....	6
17	40927801	Coin Chute Mounting Bracket (Cabinet) .....	1
	86663610	#8 x 5/8 Hex WRHS Type 17 .....	3
18	21998204	Coupler - Latch .....	1
19	22120301	Bracket - Lock Guide .....	1
	86663610	#8 x 5/8 Hex WRHS Type 17 .....	3
20	21947403	Lockbar Assembly .....	2
	20922502	Spacer .....	4
	86663610	#8 x 5/8 Hex WRHS Type 17 .....	4

Continued on Page 11-16

**Figure 11-3, 11-3A and 11-3B. Shell Assembly (Internal View)**

**1000 Watt Studio Sound and 1000 Watt 2 Channel Preamp**

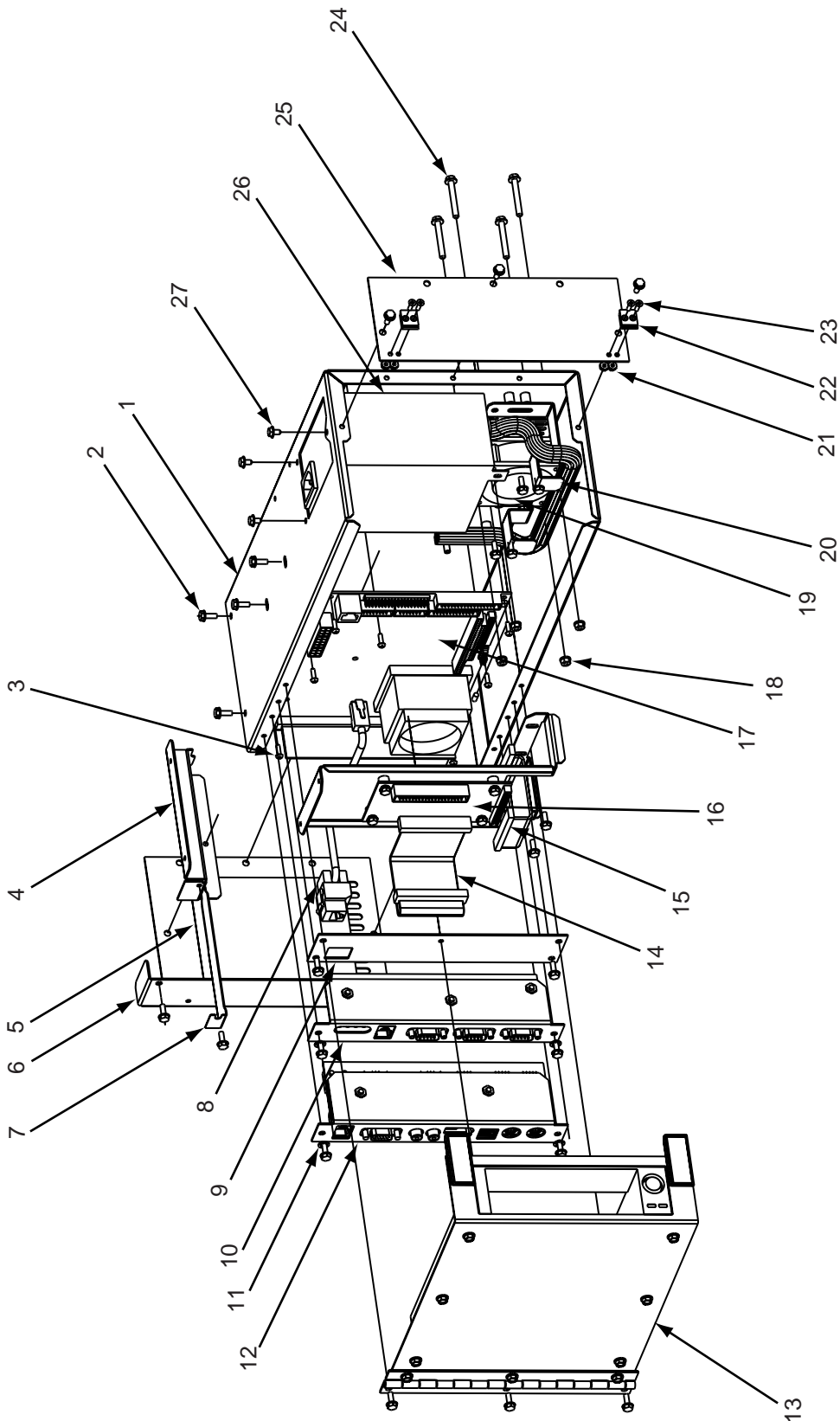
Continued from Page 11-15

Ref.	Part No.	Description	Qty
21	21946301	Plate - Lockbar .....	1
22	22145801	Power Supply Assembly (See Figure 11-9) .....	1
23	40737803	Power Transformer .....	1
24	40832108	Audio Output Transformer (See Figure 11-11) .....	1
	22146501	Bracket - Audio Output Transformer .....	1
	22121701	Carriage Bolt .....	4
	87844400	#10-32 Keps Nut .....	4
25	40926001	Rowlink Controller Assembly (See Figure 11-12) .....	1
	86663610	#8 x 5/8 Hex WRHS Type 17 .....	4
26	30781702	Cup - Slug (Black) .....	1
	21792901	Door - Slug Cup .....	1
	21793001	Bracket - Slug Cup .....	1
	70120010	Washer .....	1
	86663610	#8 x 5/8 Hex WRHS Type 17 .....	2
27	34007701	Bezel - Reject Button .....	1
	34007601	Button - Reject .....	1
28	70163215	Cylinder Lock .....	1
	21947501	Washer - Indexing .....	1
	21425601	Lockbolt .....	1
29	40702817	Skid Rail .....	2
30	34040901	CBA - UPS Interface .....	1



This page intentionally left blank

Figure 11-4. Core Computer Assembly



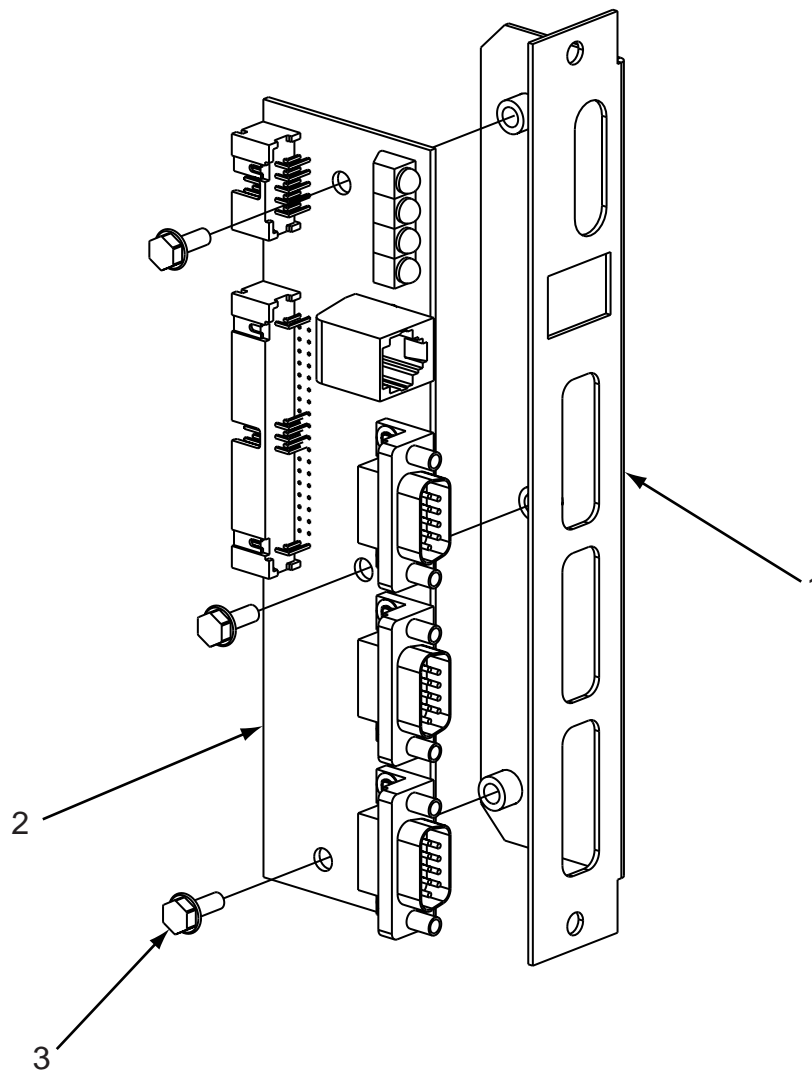
**Figure 11-4. Core Computer Assembly**

Ref.	Part No.	Description	Qty
	22143802	Core Computer Assembly .....	Ref.
1	22143901	Chassis - Core Computer .....	1
2	80443006	#8-32 x 3/8 Hex Wrhs (SF) .....	28
3	80351608	#4-40 x 1/2 Rdhms .....	7
4	22144301	Bracket - Computer Card Mounting .....	1
5	22142202	Label - Wiring (RES/ATX PWR/USB) .....	1
6	22144001	Panel - Left (Computer) .....	1
7	22144401	Cover - Computer Card .....	1
8	22140402	Cable - Ethernet .....	1
9	22144601	Panel - Front (Computer) .....	1
10	22145401	I/O Sub-assembly - Right (Computer) (See Figure 11-6) .....	1
11	70122009	Washer - #8 Internal Lock .....	4
12	22145301	I/O Sub-assembly - Left (Computer) (See Figure 11-5) .....	1
13	22144101	Door Assembly - Drive (Computer) (See Figure 11-8) .....	1
14	22132214	Cable Assembly - Dr-Rib CC Hard Dr .....	1
15	34037802	Cable - PCM-6890 HD .....	1
16	22150601	Intermediate Board Sub-assembly (See Figure 11-7) .....	1
17	40924203	Single Board Computer W/CPU, RAM .....	1
18	87843000	#8-32 Keps Hex Nut .....	4
19	22150701	Fan - Computer .....	1
20	22145201	Bracket - Cable Retainer .....	2
21	87831600	#4-40 Hex Std CSZP Nut .....	4
22	22150801	Latch - Draw .....	2
23	8032106	#4-40 x 3/8 Flat Head Screw .....	4
24	80663020	#8-32 x 1 1/4 Hex WRHMS .....	4
25	22144501	Panel - Right (Computer) .....	1
26	40922501	Power Supply - 145 SFX-S .....	1
27	xxxxxxxxx	#6-32 x 1/4 Hex HMS (Vendor Supplied) .....	3
	22159202	Label - Computer Assembly .....	1



**Figure 11-6. I/O Sub-assembly - Right (Computer)**

Ref.	Part No.	Description	Qty
	22145401	I/O Sub-assembly - Right (Computer) .....	Ref.
1	22145001	Bracket - Right I/O Board Mounting .....	1
2	61137001	CBA - 10 Interface (Slot 1) .....	1
3	80443006	#8-32 x 3/8 Hex WRHMS (SF) .....	3



### Figure 11-7. Intermediate Board Sub-assembly

Ref.	Part No.	Description	Qty
	22150601	Intermediate Board Sub-assembly .....	Ref.
1	22145101	Bracket - Board Mounting (Computer) .....	1
2	70500209	Spacer - Self-Retaining (#8 Nylon) .....	4
3	34040201	CBA - Interconnect (Hard Dr/CC) .....	1
4	80443008	#8-32 x 1/2 Hex WRHMS (SF) .....	4

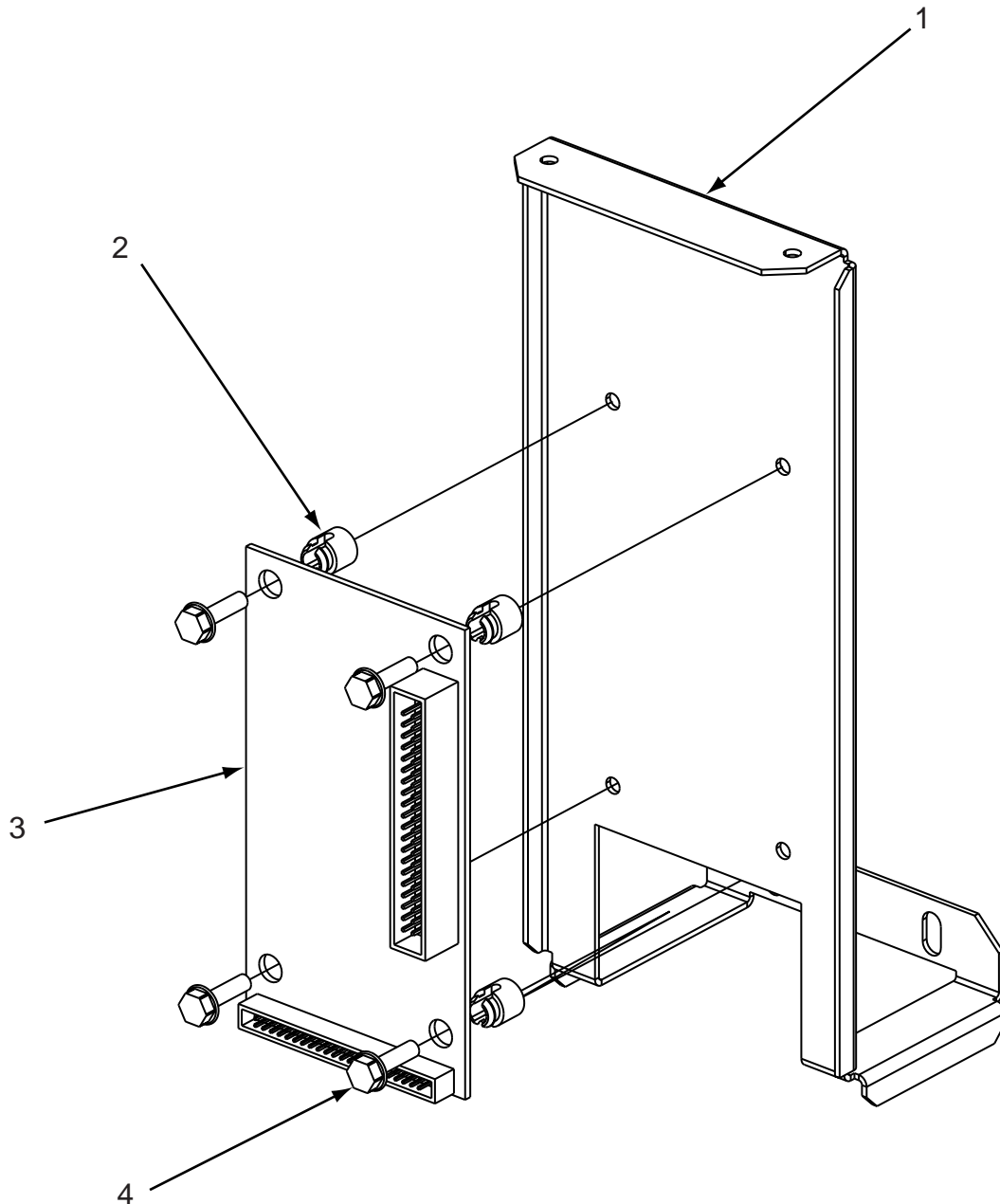
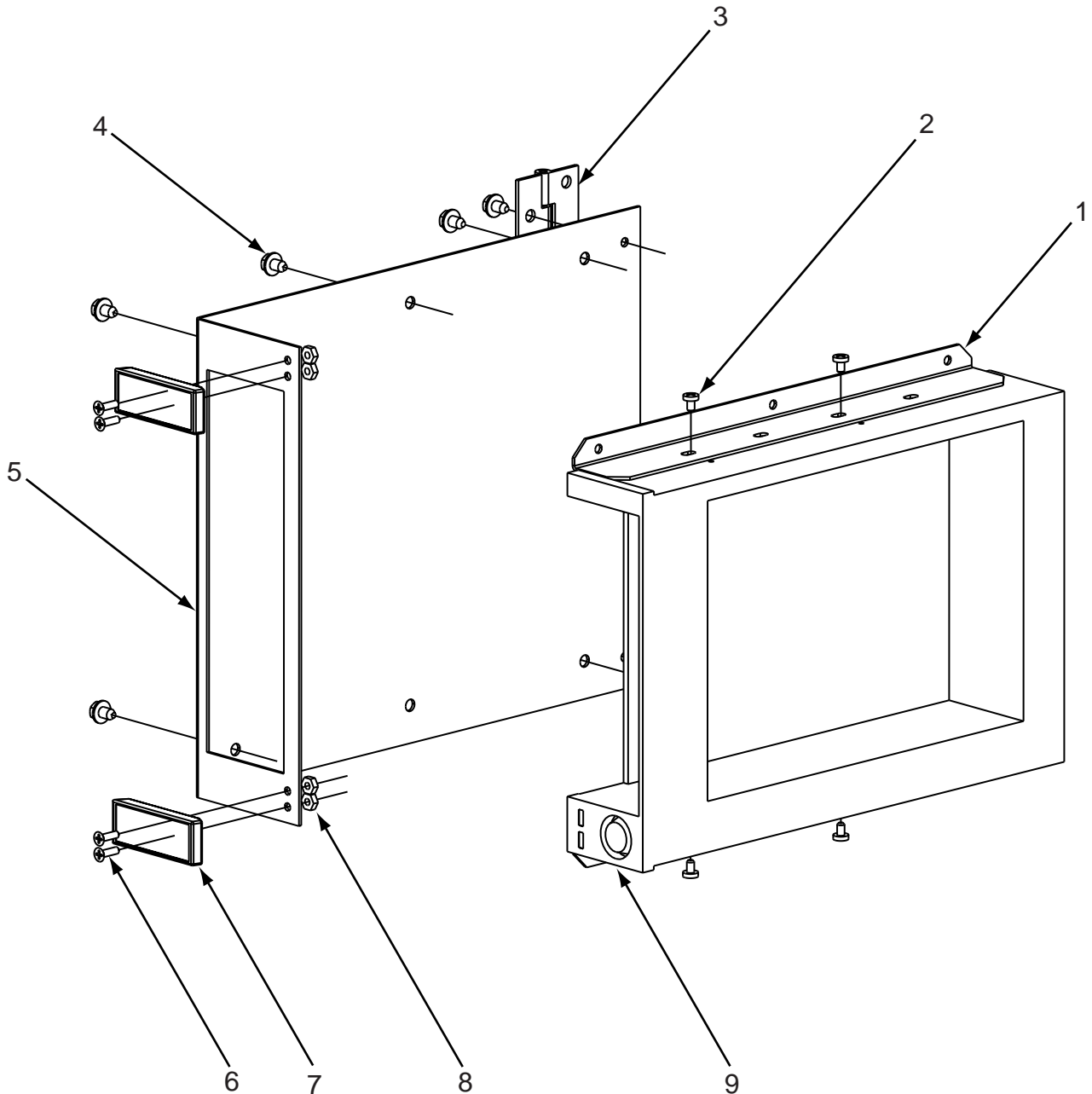


Figure 11-8. Computer Drive Door Assembly

Ref.	Part No.	Description	Qty
	22144101	Computer Drive Door Assembly .....	Ref.
1	22144801	Bracket - Drive Bay Mounting .....	2
2	xxxxxxx	#6-32 Screw (Supplied With Hard Drive Bay) .....	4
3	22144701	Hinge - Door .....	1
4	80443004	#8-32 x 1/4 Hex WRHMS (SF) .....	9
5	22144201	Door - Drive .....	1
6	80321606	#4-40 x 1/4 Flat Head MS .....	4
7	22150801	Latch - Draw .....	2
8	87831600	#4-40 Hex Nut (CSZP) .....	4
9	22141702	Frame - Hard Drive .....	1



### Figure 11-9. Power Supply Assembly

Ref.	Part No.	Description	Qty
	22145801	Power Supply Assembly .....	Ref.
1	22145901	Chassis - Power Supply .....	1
2	80443006	#8-32 x 3/8 Hex WRHMS (SF) .....	12
3	30785702	Switch - Rocker (DPST) .....	1
4	80713010	#8-32 x 5/8 Hex WRHMS (SEMS) .....	2
5	22118701	Power Inlet IEC 320 C-14 .....	1
6	21375902	Outlet - Convenience .....	2
7	70073609	Circuit Breaker (6 Amp) .....	2
8	87843000	#8-32 Keps Hex Nut .....	4
9	34038804	Harness Assembly - Power Supply (Only Connectors Shown) .....	1
10	22145801	Cover - Power Supply .....	1
11	40923401	CBA - Power Supply .....	1
12	22141301	Standoff .....	4

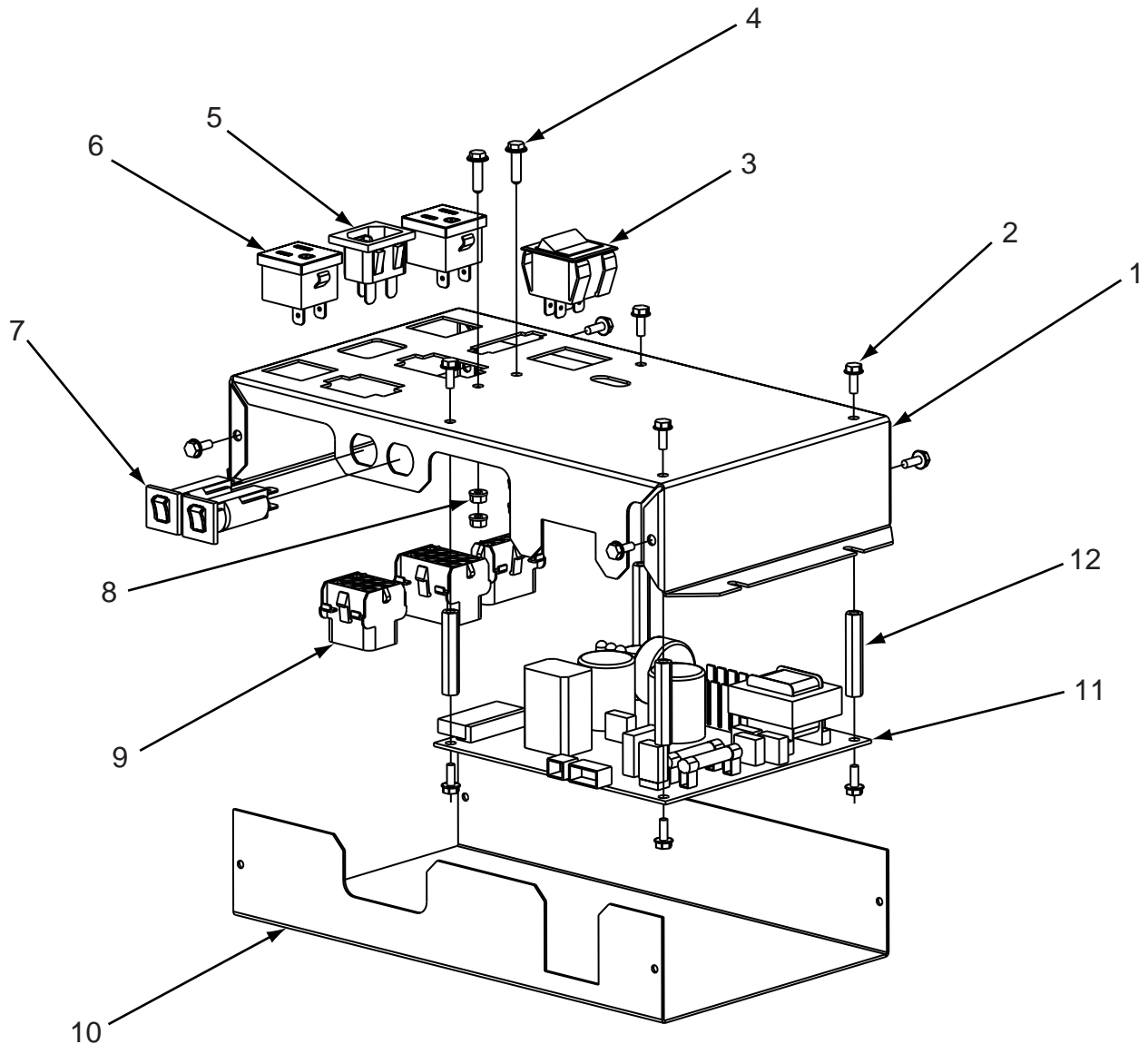
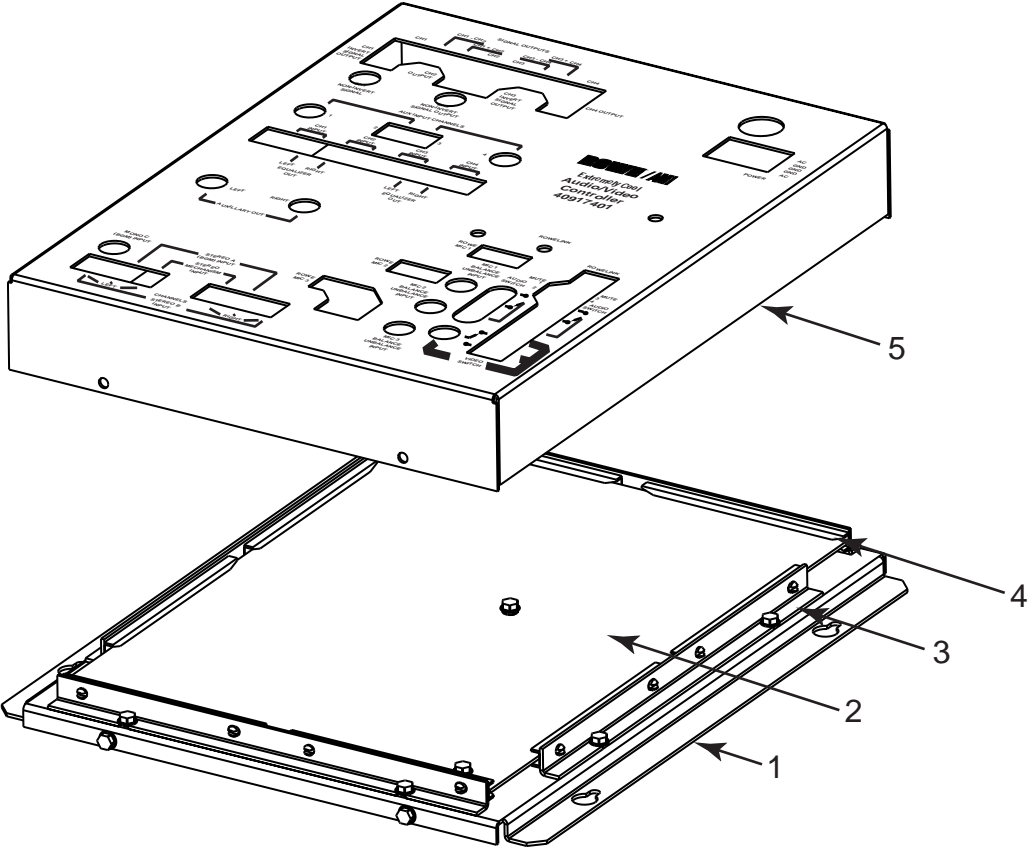




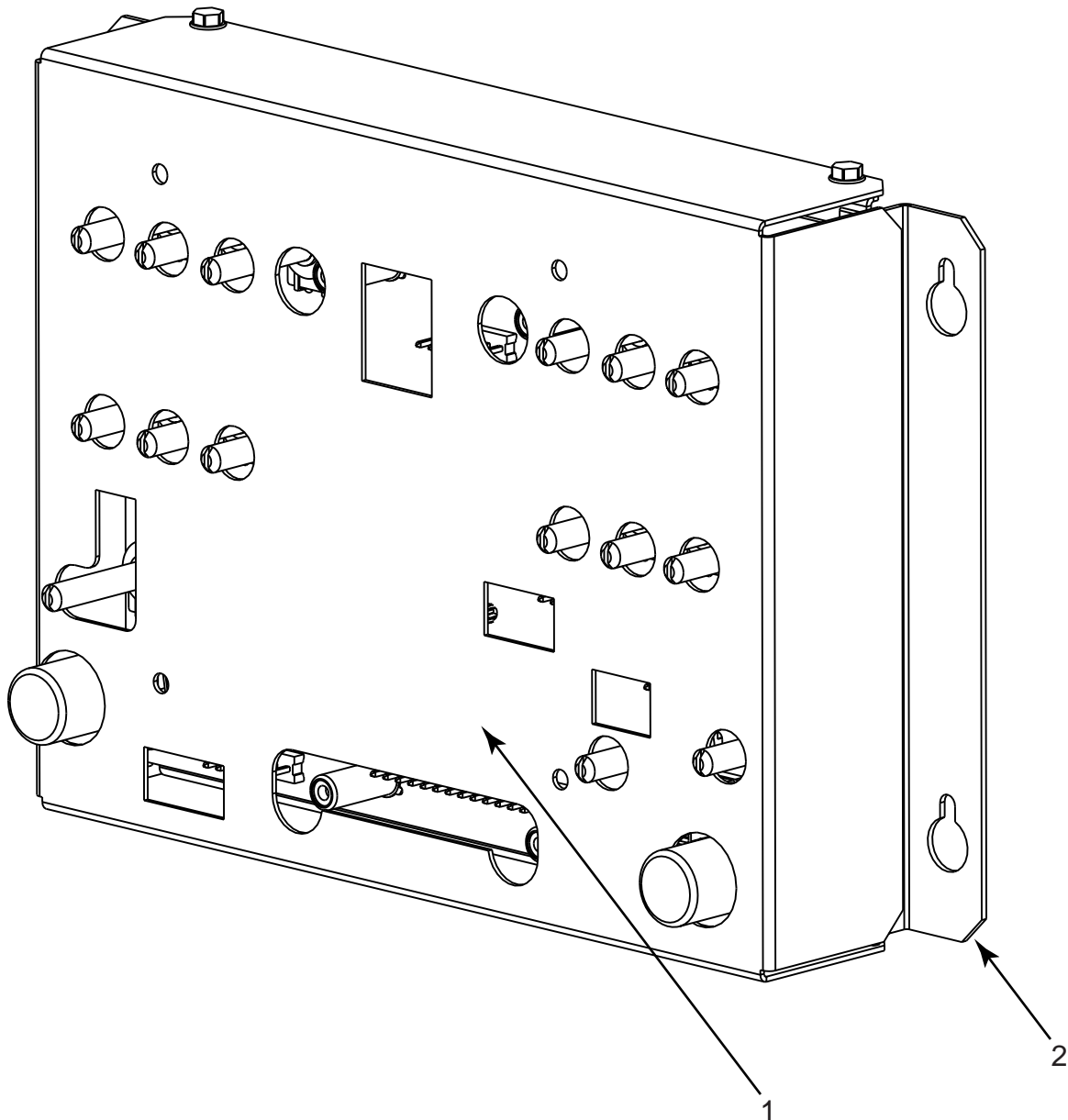
Figure 11-10. A/V Controller - 4 Channel

Ref.	Part No.	Description	Qty
<b>For 1000 Watt Studio Sound Only</b>			
	40917401	A/V Controller - 4 Channel.....	Ref.
1	40920701	Base Assembly - Preamp .....	1
2	61128802	CBA - A/V Controller (4 Channel) .....	1
	70500209	Spacer - Self-Retaining .....	1
	80443008	#8-32 x 1/2 Hex WrHS (Swage Form) .....	2
3	34033701	Bracket - Card Guide .....	4
4	22137301	Guide - Card .....	8
	80443006	#8-32 x 3/8 Hex WrHMS.....	8
5	61132801	Cover - Preamp .....	1
	80443006	#8-32 x 3/8 Hex WrHMS .....	4



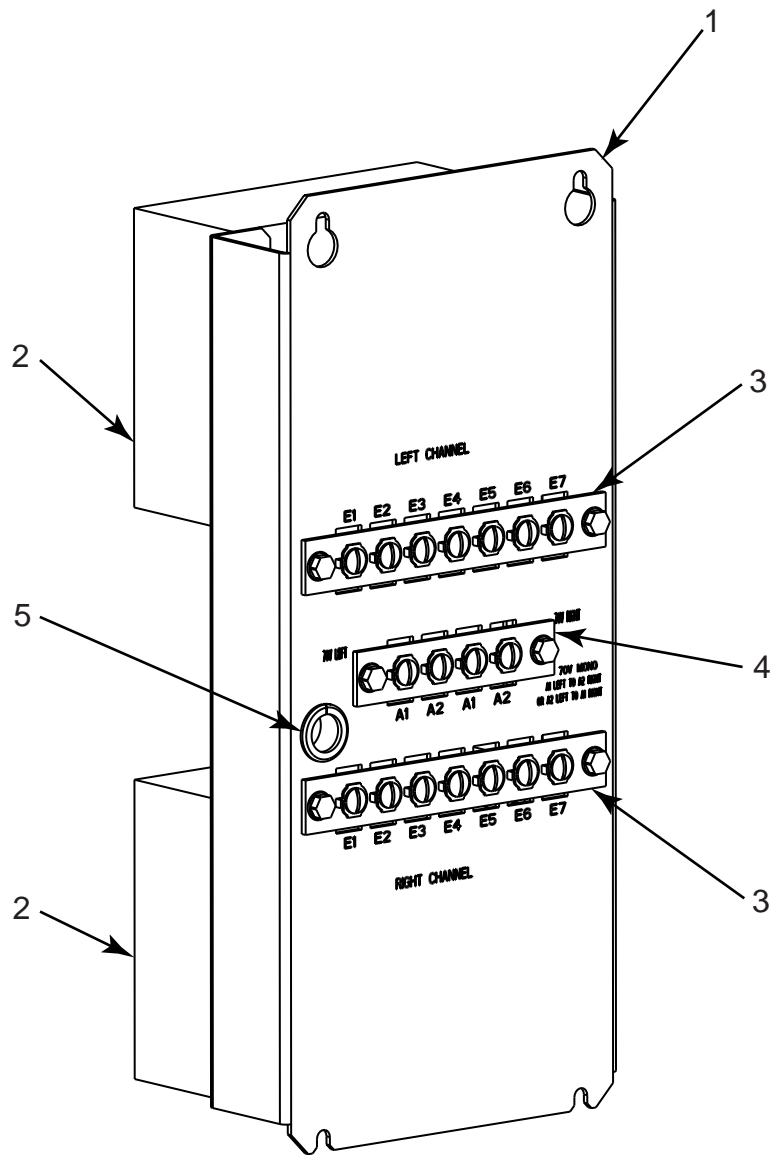
**Figure 11-11. 2 CHANNEL PREAMP**

Ref.	Part No.	Description	Qty
<b>FOR 1000 WATT 2 CHANNEL ONLY</b>			
	61138701	2 Channel Preamp Assembly .....	Ref.
1	61138601	Preamp Cover .....	1
2	40928701	Preamp Base .....	1
<b>NOT SHOWN:</b>			
	21620706	Jumper Plug Assembly .....	1



### Figure 11-12. Output Transformer Assembly

Ref.	Part No.	Description	Qty
	40832108	Output Transformer Assembly .....	Ref.
1	61133101	Chassis - Audio Output .....	1
2	40633503	Transformer - Output .....	2
3	30426701	Binding Post Strip .....	2
4	30426706	Binding Post Strip .....	1
	80442306	#6-32 x 3/8 Thread Form .....	6
5	70233206	Bushing - Snap (Split) .....	1
	34033402	Harness Assembly - Output Transformer (not shown) .....	1



### Figure 11-13. Rowelink Controller Assembly

Ref.	Part No.	Description	Qty
	40926001	Rowelink Controller Assembly .....	Ref.
1	40925801	Base - Rowelink Controller .....	1
2	61135701	CBA - Rowelink Controller .....	1
3	80713008	#8-32 x 5/16 Hex WRHMS (SEMS) .....	8
4	80443008	#8-32 x 1/2 Hex WRHMS (SF) .....	4
5	40925901	Cover - Rowelink Controller .....	1

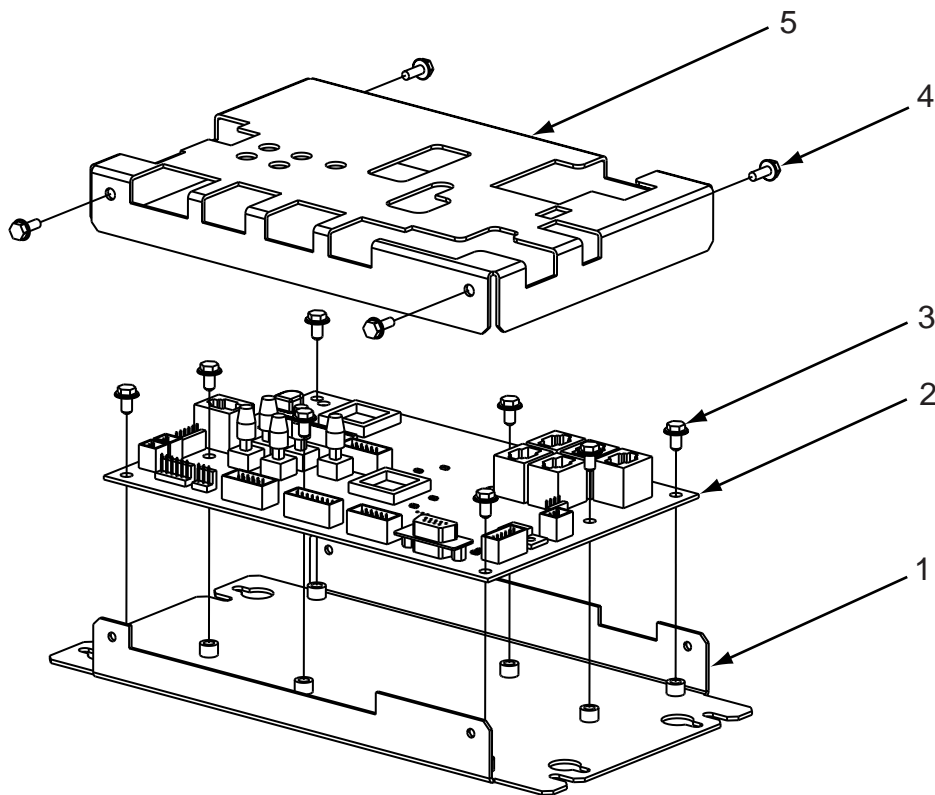
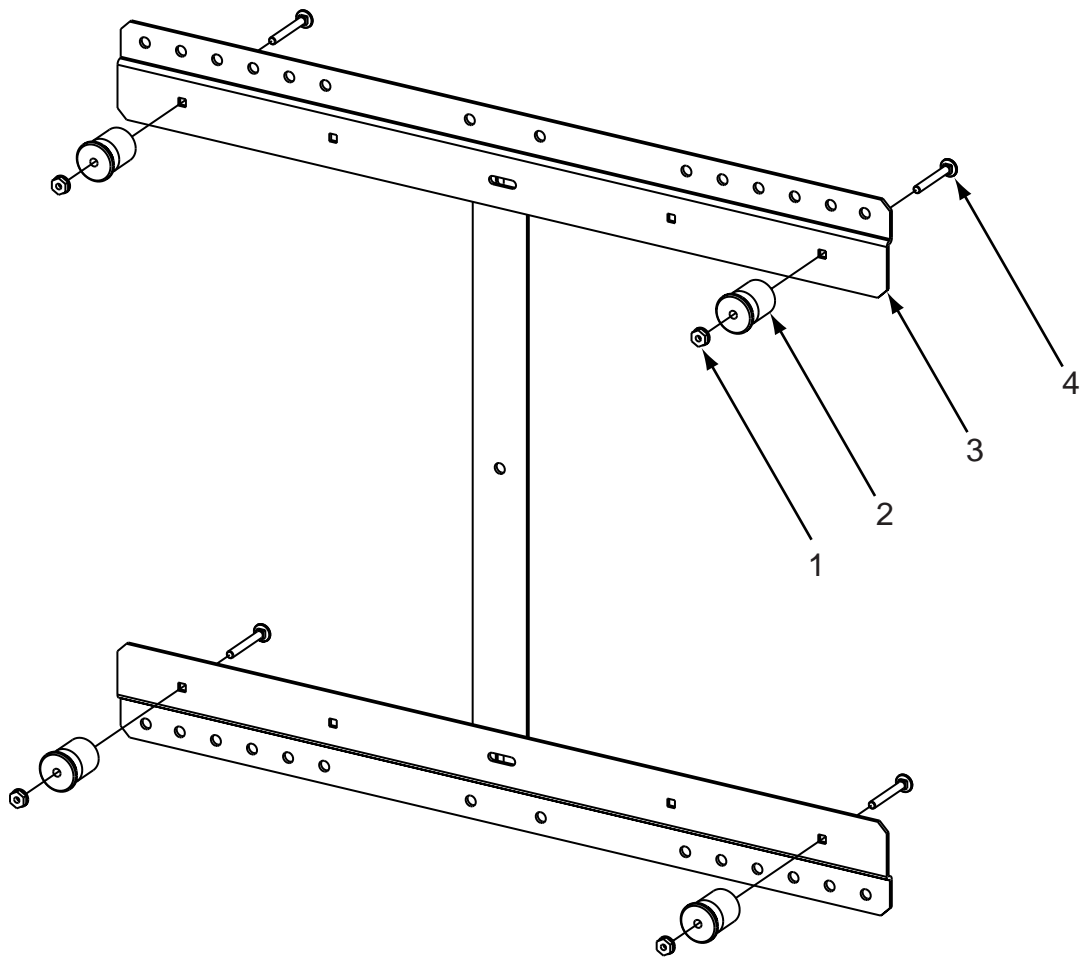


Figure 11-14. Hanger Bracket Assembly

Ref.	Part No.	Description	Qty
	61114002	Hanger Bracket Assembly .....	Ref.
1	87843700	#10-32 Hex Keps Nut .....	4
2	34015401	Standoff - Hanger .....	4
3	61114102	Hanger - Weld Assembly .....	1
4	89973724	#10-32 x 1 1/2 Carriage Bolt .....	4



**ACCESSORY EQUIPMENT  
FOR 2 CHANNEL PREAMP ONLY**

<b>Part No.</b>	<b>Description</b>	<b>Function</b>
26704402	Phonograph paging system with hand held microphone	Paging system not affected by A.V.C. All plug-in unit, complete with microphone and 50 foot microphone cable.
26694703	Amplifier Accessory Kit NOTE: This kit will work with all 607925XX and 610237XX preamplifiers.	Provides access to auxiliary inputs and outputs of the preamplifier. Inputs will accept signals from most background music sources, such as tape players and AM/FM radios. Outputs are available to drive slave amplifiers before or after volume control.
30632201	Remote Volume and Cancel Control	This remote stereo volume control includes a cancel button. This kit does not include a cable. A 3 conductor cable is required.
30632209	Dual Remote Volume Control	Controls volume of each channel separately. Does not include cable. A four conductor cable is required.
20819907	Remote Volume and Cancel Control Cable	This 3 conductor 50 foot cable connects a remote volume control to a phonograph.
20819908	Remote Volume and Cancel Control Cable	This 4 conductor 50 foot cable connects a remote volume control to a phonograph.