

Service Manual for:

SL600 ***Lift Series***



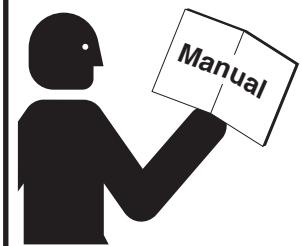
Series 01

 **THE BRAUN CORPORATION**
"Providing Access to the World"®

International Corporate Hdqrs: P.O. Box 310 Winamac, IN 46996 USA
1-800-THE LIFT® (574) 946-6153 FAX: (574) 946-4670



⚠ WARNING



Read manual before installing or servicing lift. Failure to do so may result in serious bodily injury and/or property damage.

Braun SL600 Series™

35973

March

2010

Congratulations

We at The Braun Corporation wish to express our fullest appreciation on your new purchase. With you in mind, our skilled craftsmen have designed and assembled the finest lift available.

This manual provides maintenance and service-related material. Braun Vista Series™ lifts are built for dependability and will provide years of pleasure and independence as long as the lift is properly maintained and operated by an instructed person.

Sincerely,
THE BRAUN CORPORATION



Ralph W. Braun
Chief Executive Officer

Warranty

Consult your local Braun dealer regarding warranty policy.

www.braunlift.com/international

The Braun Corporation 1-800-THE LIFT™ BRAUNLIFT.COM®	
MODEL NUMBER XXXXXXXXXX	→ Model No. _____
SERIAL NUMBER XX-XXXXX	→ Serial No. _____
MFG DATE XX/XX/XXXX	→ Date of Manufacture _____
CE	

Sample Serial No./Series No. Identification Tag

Model No.	Serial No.
OWNER'S WARRANTY REGISTRATION	
XXXXXXXXXXXX XX-XXXXX	
PURCHASED FROM _____	
OWNER	
NAME _____	DATE INSTALLED _____
ADDRESS _____	
CITY _____	
TELEPHONE _____	STATE _____ ZIP _____
TO VALIDATE WARRANTY REGISTRATION CARDS MUST BE RETURNED TO THE BRAUN CORPORATION.	

Sample Warranty/Registration Card

Contents

Troubleshooting and Maintenance

Lift Terminology	2-3
Lift Dimensions	4
Operation Notes and Details	5
Lift Operating Instructions.....	6-7
Manual Operating Instructions.....	8
Lubrication Diagram	10
Maintenance and Lubrication Schedule.....	11-13
Lift Electrical Schematic	14
Lift Wiring Diagram	15

Hydraulics

Hydraulic Parts List	17
Hydraulic Diagram	18
Hydraulic Schematic	19

Repair Parts

Pump Module

Pump Module Parts List	20
Pump Module Diagram	21

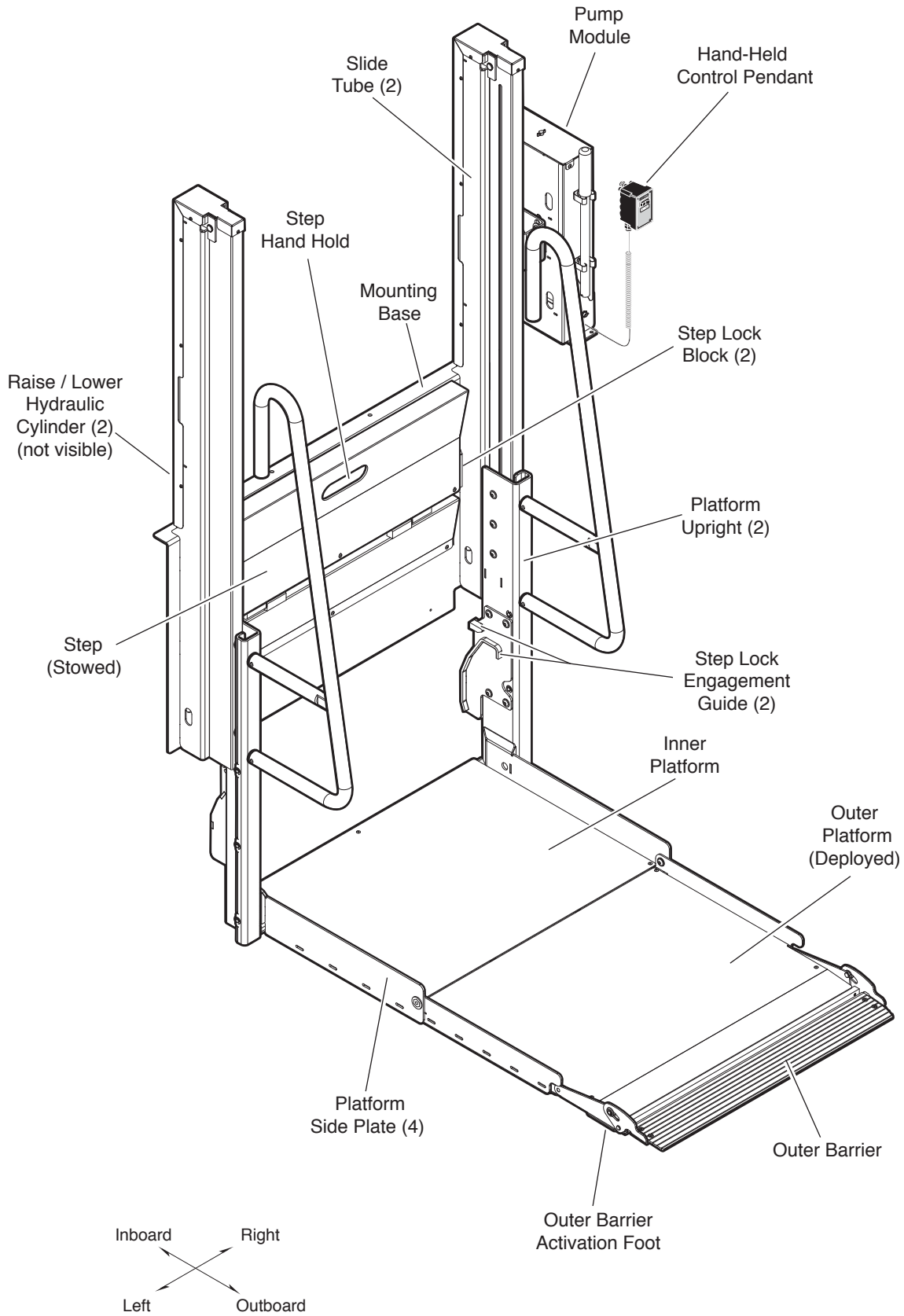
Lift Exploded Views and Parts Lists

Main Body Assembly	22
Upright / Platform Assembly.....	23
Step Assembly	24
Outer Platform Assembly	25

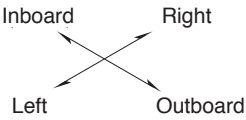
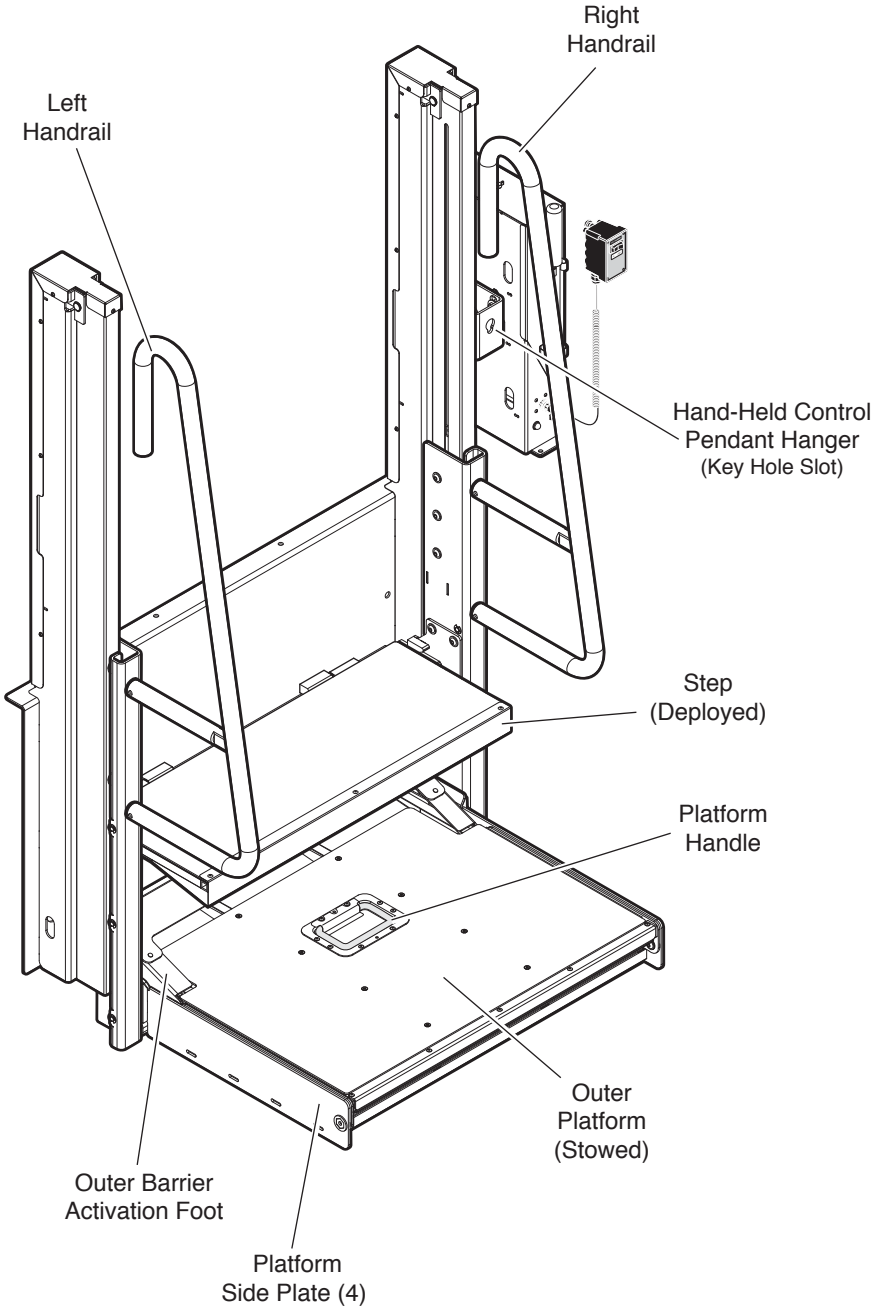
Warranty

Braun® Limited Warranty	26-28
-------------------------------	-------

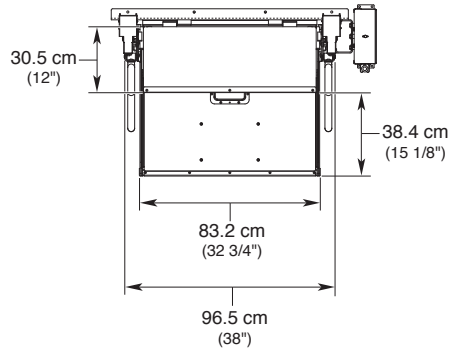
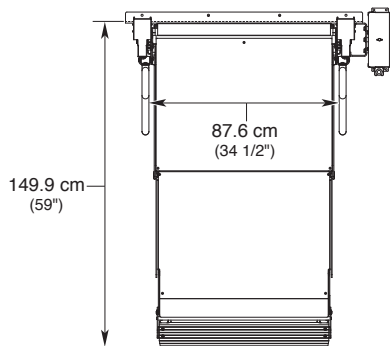
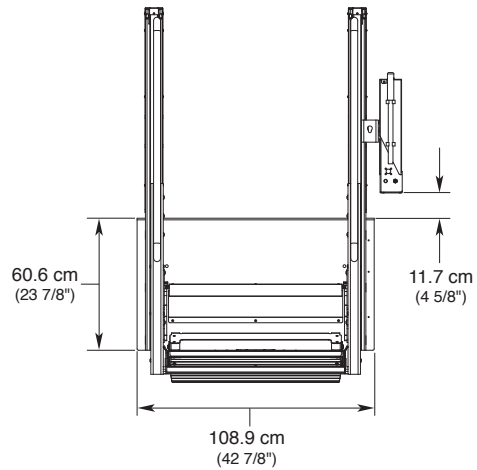
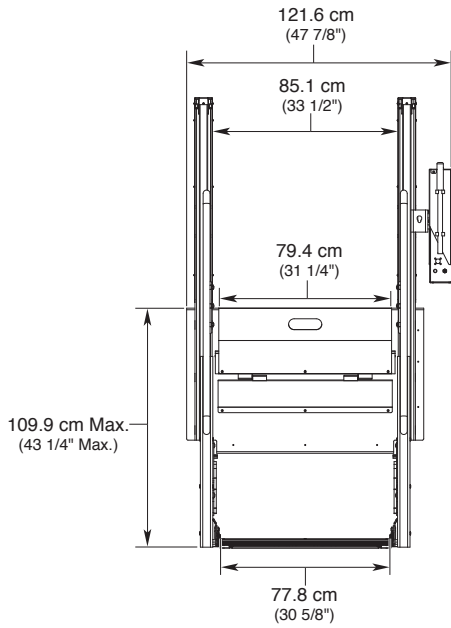
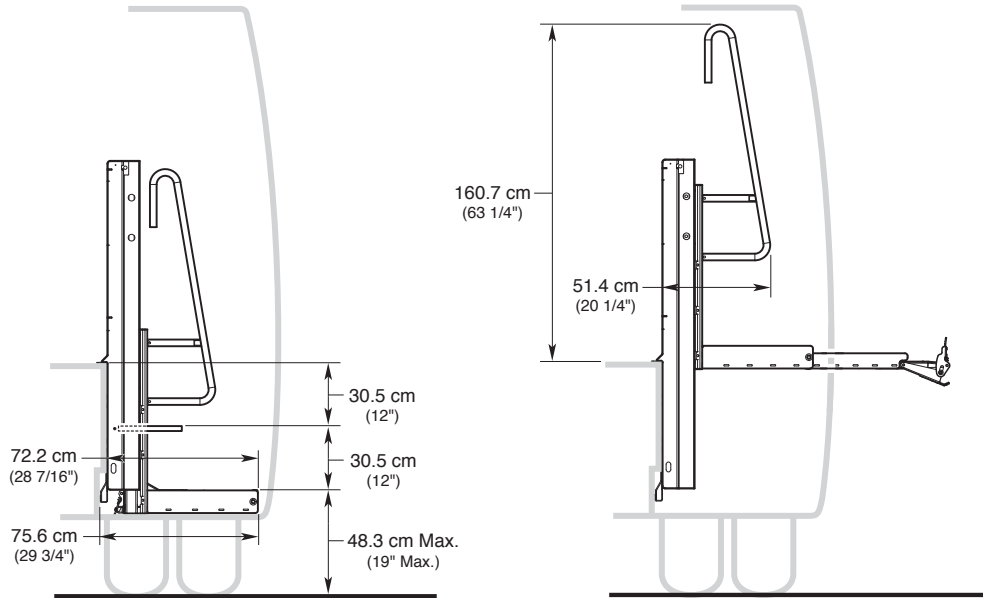
Lift Terminology



Lift Terminology



Lift Dimensions



Operation Notes and Details

When the bus door(s) open, the SL600 "Step Lift" is positioned in the doorway such that the stowed platform serves as the bottom step (entry). The lift-equipped step is horizontal (serving as the second step).

Lift Power ON/OFF Switch: This pump module-mounted switch must be in the ON position in order to activate the lift. A green Power Indicator Light illuminates to signal power to the lift.

Hand-held Pendant Control: The hand-held attendant's pendant control is equipped with a single UP/DOWN rocker switch. The momentary switch activates the power UP and gravity DOWN functions.

The SL600 features a 2-stage platform. The outer platform is manually deployed and stowed. The lift-equipped step raises automatically as the lift raises and stows (locks) as the lift lowers. The step is manually positioned for the stow (lock) function.

Deploy ()

The lift must be raised to the proper position (height) to allow manual deployment of the outer platform. Two green Deploy arrows provided on the left slide tube must be aligned before deploying the outer platform.

As the lift raises from stow position - the step rotates to vertical position and latches. Once the step is latched in the vertical position and green Deploy arrows are aligned - the outer platform can be manually deployed. Lift and rotate platform 180° outward to horizontal position. A recessed pivoting handle is provided in the out-board platform for manual operation.

If the step is not latched in the vertical position and the lift is not properly positioned (green arrows aligned) - hand injury could occur when manually rotating the platform.

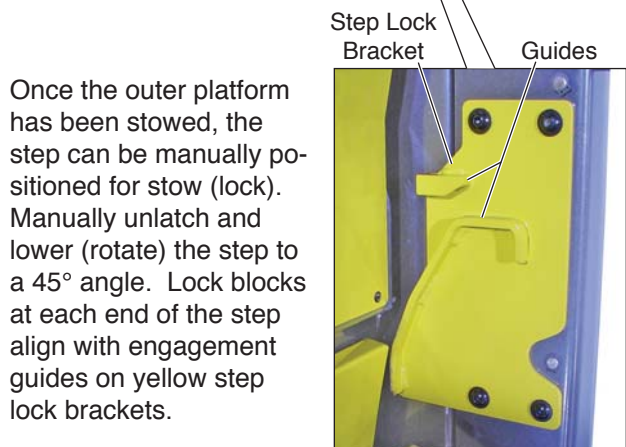
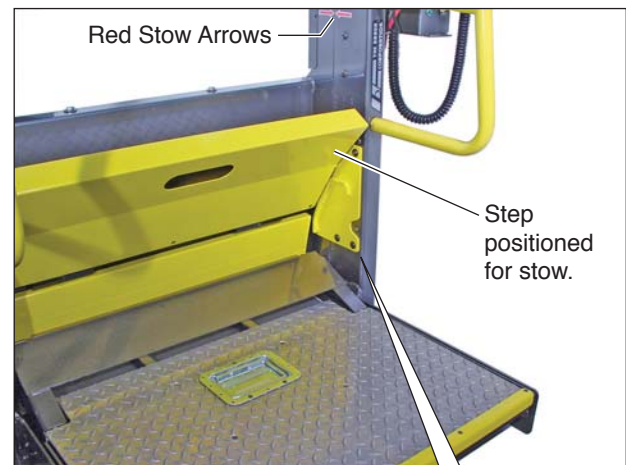
WARNING

Manually rotating outer platform when step is horizontal and/or green arrows are not aligned could result in hand injury.

Once the outer platform is fully deployed - the lift can be lowered to the ground or raised to floor level (as needed).

Stow ()

Two red Stow arrows provided on the right slide tube must be aligned before manually stowing the lift (platform and step). Press UP or DOWN to position the lift at stow height (align arrows). Lift and rotate the outer platform 180° inward to stowed position (stacked). Manually position the step for stow as detailed below.

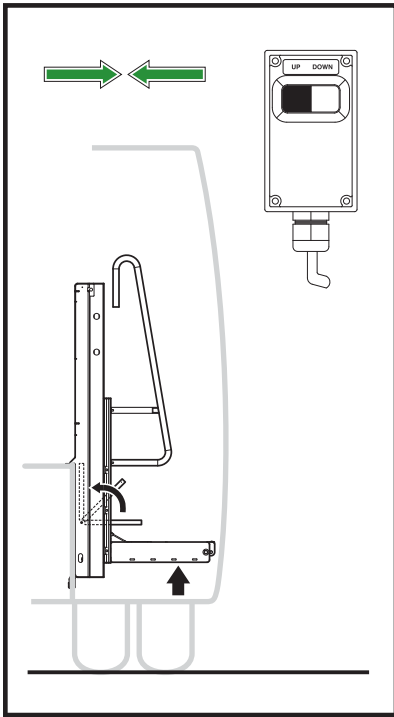


The step lock blocks engage and travel the path of the locking engagement guides as the lift is lowered. When the step reaches fully stowed position (horizontal) - the step blocks lock fully in the engagement guides, stopping (locking) the platform at proper position (entry level).

Lift Operating Instructions

Refer to the step-by-step Lift Operating Instructions provided in this manual and on lift-posted decals. Refer to the Manual Operating Instructions to manually operate lift. Replace any missing, worn or illegible decals.

Lift Operating Instructions



OPEN DOOR(S) AND SECURE

TO DEPLOY LIFT:

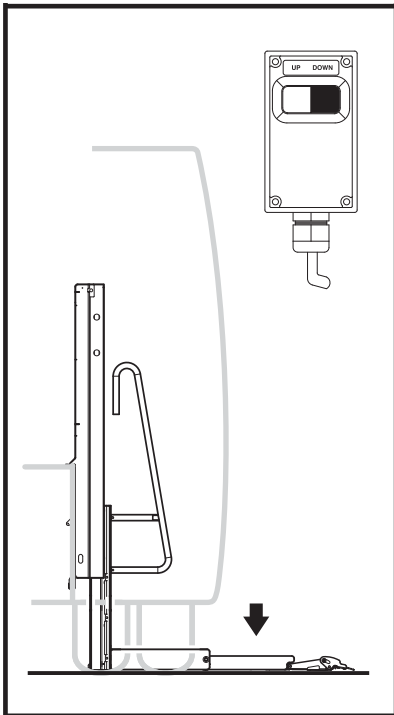
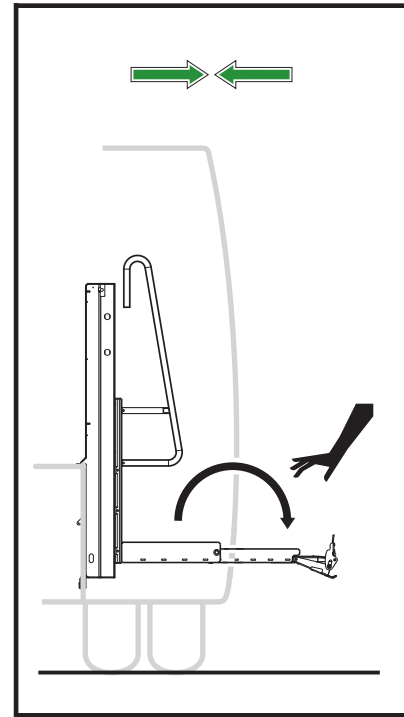
1. Align Green Arrows.

- ◀ Stand clear and press UP switch until lift reaches deploy level (two green Deploy arrows align).

Note: The step folds (rotates) to vertical position and latches as lift raises.

2. Deploy Platform

Lift and rotate outer platform to deployed position using handle. ▶

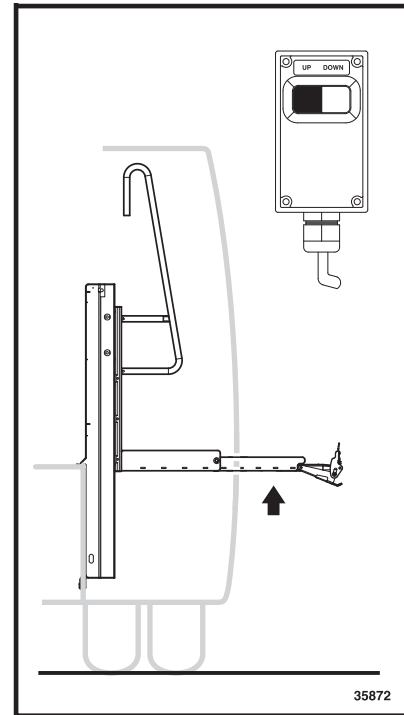


To Lower Platform

- ◀ Press DOWN switch until entire platform reaches ground level and outer barrier unfolds fully.

To Raise Platform

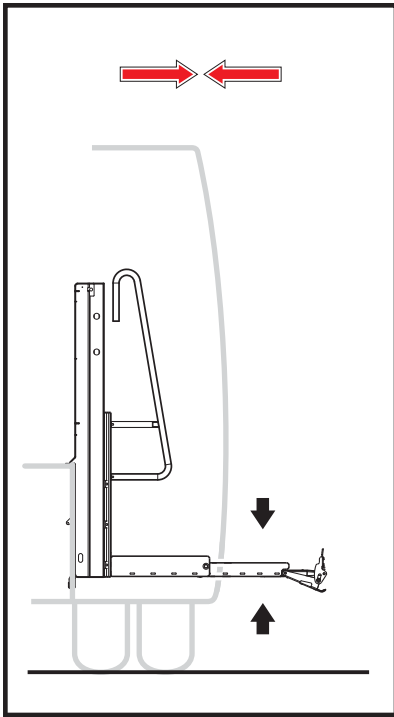
Press UP switch until lift reaches floor level (stops). ▶



35872

Lift Operating Instructions

TO STOW LIFT:

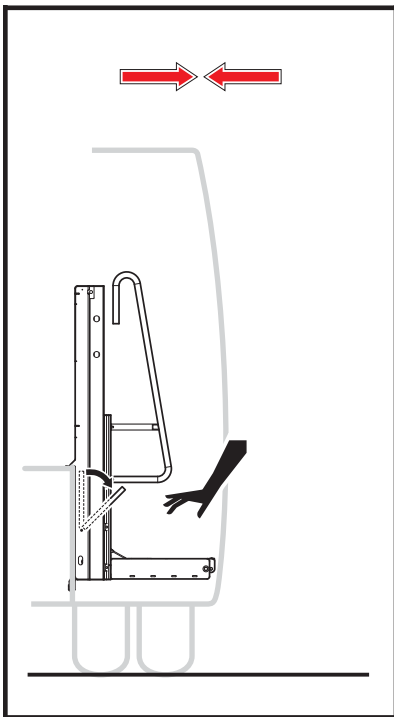
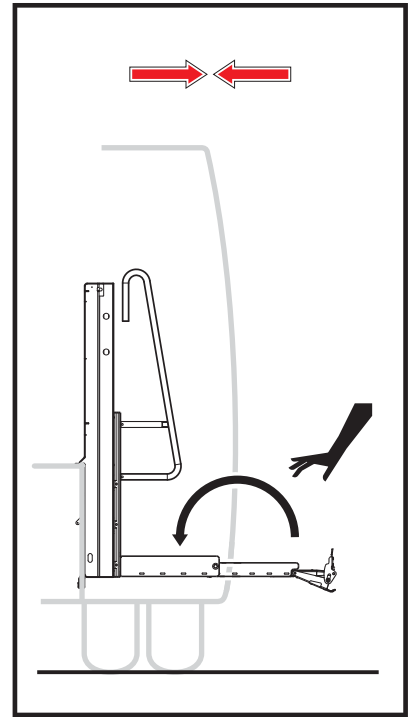


1. Align Red Arrows.

Lower lift (press DOWN switch) or raise lift (press UP switch) until lift reaches stow level (two red Stow arrows align).

2. Stow Platform

Lift and rotate outer platform in to stowed position.

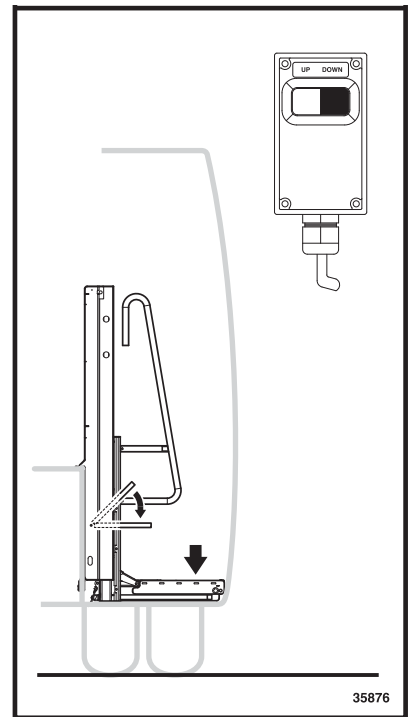


3. Stow Step

Unlatch and lower step (step lock blocks align with step lock brackets).

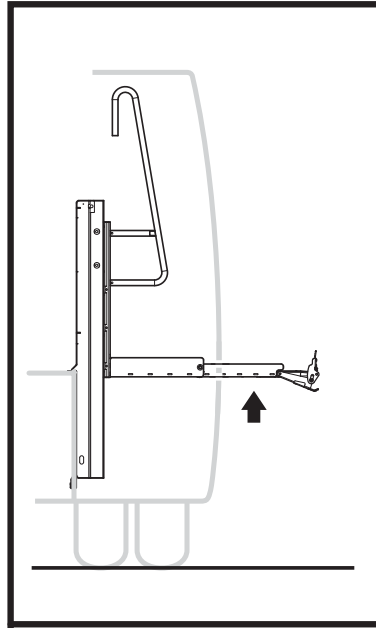
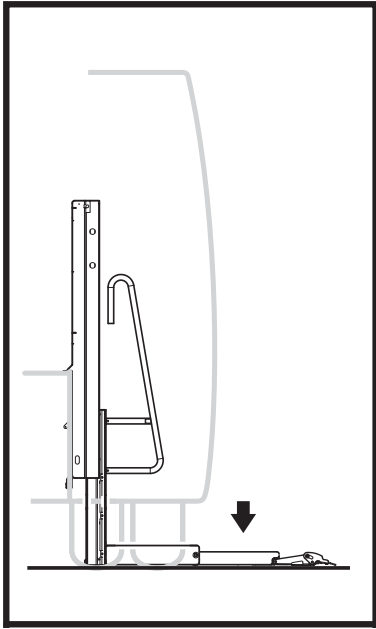
4. Stow Lift

Press DOWN switch to lower lift fully (stops).



35876

Manual Operating Instructions



DOWN (TO LOWER):

Using hand pump handle:

1. Open hand pump valve (turn counterclockwise). Open 1/4 turn only.

UP (TO RAISE):

Using hand pump handle:

1. Close hand pump valve (turn clockwise).

Note: Valve must be tight, but do not over-tighten.

2. Insert handle hand pump and stroke.

Note: Close valve securely before operating electric pump.

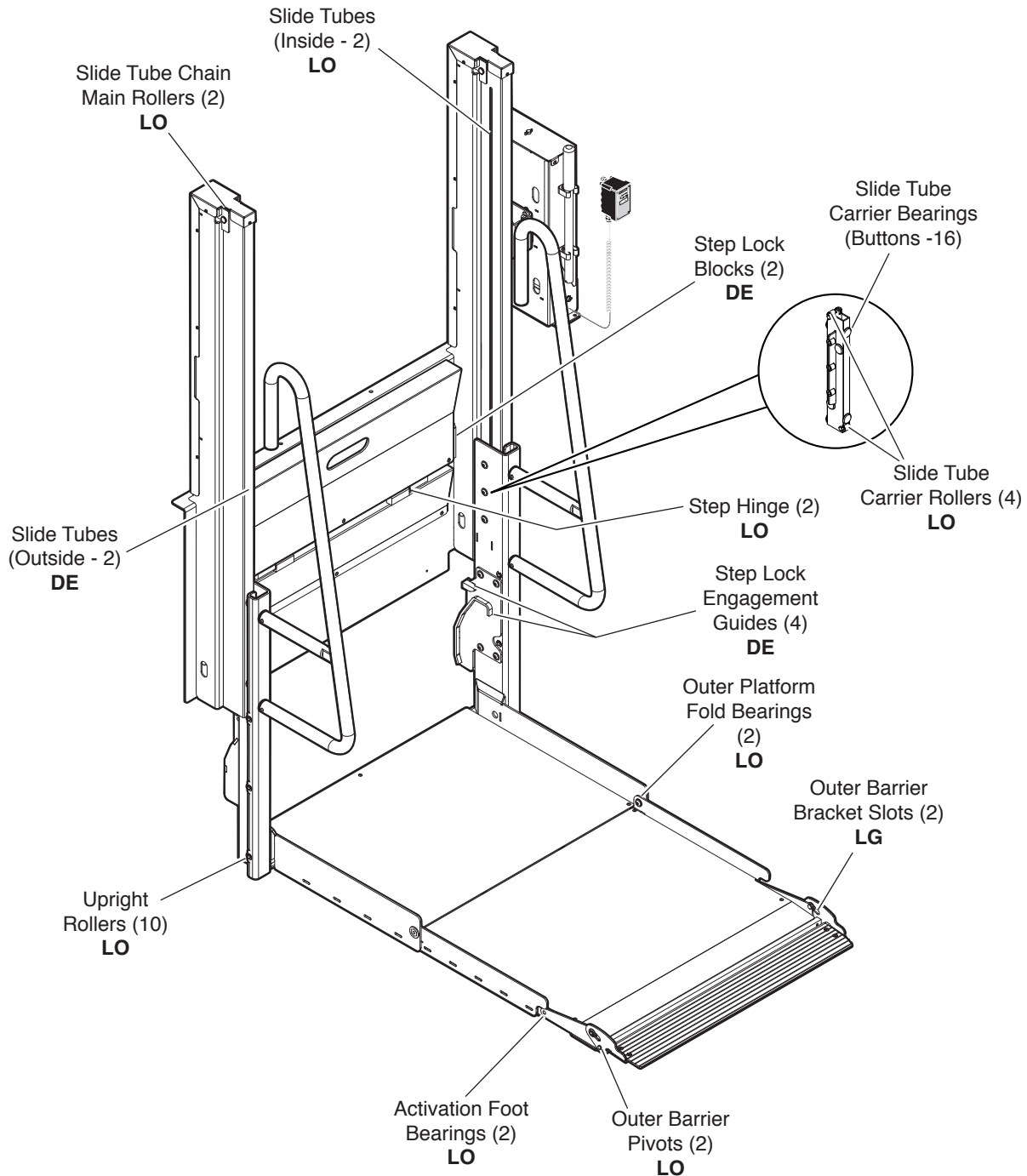
Note: Refer to Lift Operating Instructions for platform and step procedures.

NOTES

This page intentionally left blank.

Maintenance and Lubrication

Lubrication Diagram



See the Maintenance/Lubrication Schedule for recommended applications per number of cycles.

Lubricant	Type	Specified (recommended) Lubricant	Available Amount	Braun Part No.
LO - Light Oil	Light Penetrating Oil (30 weight or equivalent)	LPS2, General Purpose Penetrating Oil	16 oz. Aerosol Can	15807
DE - Door-Ease	Stainless Stick Style (tube)	Door-Ease Stick (tube)	1.68 oz.	15806
LG - Light Grease	Light Grease (Multipurpose)	Lubriplate	14 oz. Can	15805

Maintenance and Lubrication Schedule

Proper maintenance is necessary to ensure safe, trouble free operation. Inspecting the lift for any wear, damage or other abnormal conditions should be a part of the transit agency daily service program. Simple inspections can detect potential problems.

The maintenance and lubrication procedures specified in the following schedule must be performed by a Braun authorized service representative at the scheduled intervals according to the number of cycles. All service procedures must be performed when the lift is fully on the ground.

SL600 Series lifts are equipped with hardened pins and self-lubricating bushings to decrease wear, provide smooth operation and extend the service life of the lift.

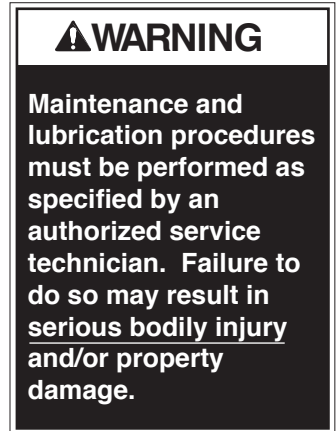
When servicing the lift at the recommended intervals, inspection and lubrication procedures specified in the previous sections should be repeated. Clean components and the surrounding area before applying lubricants. LPS2 General Purpose Penetrating Oil is recommended where Light Oil is called out. Use of improper lubricants can attract dirt or other contaminants which could result in wear or damage to the components. Platform components exposed to contaminants when lowered to the ground may require extra attention.

Lift components requiring grease are lubricated during assembly procedures. When replacing these components, be sure to apply grease during installation procedures. Specified lubricants are available from The Braun Corporation (part numbers provided on previous page).

All listed inspection, lubrication and maintenance procedures should be repeated at 750 cycle intervals

following the scheduled 4500 cycle maintenance procedures. These intervals are a general guideline for scheduling maintenance procedures and will vary according to lift use and conditions. Lifts exposed to severe conditions (weather, environment, contamination, heavy usage, etc.) may require inspection and maintenance procedures to be performed more often than specified.

Discontinue lift use immediately if maintenance and lubrication procedures are not properly performed, or if there is any sign of wear, damage or improper operation. Contact your sales representative or call The Braun Corporation. One of our national Product Support representatives will direct you to an authorized service technician who will inspect your lift.



750 Cycles	Outer barrier pivots (2)	Apply Light Oil - See Lubrication Diagram
	Activation foot bearings (2)	Apply Light Oil - See Lubrication Diagram
	Outer barrier bracket slots (2)	Apply Light Grease to both sides of slot on each bracket. See Lubrication diagram.
	Outer platform fold bearings (2)	Apply Light Oil - See Lubrication Diagram
	Inspect outer barrier for proper operation, positive securement, and detached or missing springs	Correct or replace damaged parts and/or relubricate. See Lubrication Diagram
	Inspect lift for wear, damage or any abnormal condition	Correct as needed.
	Inspect lift for rattles	Correct as needed.

Maintenance and Lubrication Schedule

1500 Cycles	Perform all procedures listed in previous section also	
	Step lock blocks (2)	Apply Door Ease - See Lubrication Diagram
	Step lock engagement guides (4)	Apply Door Ease - See Lubrication Diagram
	Step hinges (2)	Apply Light Oil - See Lubrication Diagram. Use Light Grease during roller replacement.
	Upright rollers (10)	Apply Light Oil - See Lubrication Diagram.
	Slide tubes (outside) (2)	Apply Door Ease to where platform upright UHMW bearings (buttons) contact slide tube. See Lubrication Diagram.
	Slide tubes (inside) (2)	Apply Light Oil to inside surface of slide tubes. See Lubrication Diagram.
	Slide tube carrier rollers (4)	Apply Light Oil - See Lubrication Diagram.
	Inspect handrail for wear or damage, and for proper securement	Replace damaged parts.
	Make sure lift operates smoothly	Lubricate or correct as needed.
Inspect external snap rings / e-clips: <ul style="list-style-type: none"> • Latch foot (2) • Upright rollers (20) • Main rollers (2) 	Resecure or replace if needed.	
Inspect all threaded fasteners for damage and positive securement.	Resecure or replace damaged fasteners. See Exploded View section for fasteners that require #242 General Purpose Blue Loctite (Braun #18822).	
Remove pump module cover and inspect: <ul style="list-style-type: none"> • Hydraulic hoses, fittings and connections for wear or leaks on pump. • Harness cables, wires, terminals and connections for securement or damage 	Resecure, replace or correct as needed.	
4500 Cycles	Perform all procedures listed in previous section also	
	Inspect cotter / cottered pins: <ul style="list-style-type: none"> • Slide tube chain cottered pins (4) • Slide tube chain cotter pins (4) 	Resecure or replace if needed.
	Inspect UHMW bearings (buttons): <ul style="list-style-type: none"> • Slide tube carriers (16) • Platform uprights (4) 	Resecure or replace if needed.
	Hydraulic Fluid (Pump) - Check level. Note: Fluid should be changed if there is visible contamination. Inspect the hydraulic system (cylinder, hoses, fittings, seals, etc.) for leaks if fluid level is low.	Use Braun 32840-QT (Exxon® Unis HVI 26). Do not mix with Dextron III or other hydraulic fluids. Check fluid level with platform lowered fully. Fill to maximum fluid level indicated on reservoir (specified on decal). Do not overfill. If fluid level decal is not present - measure 3/4" from the fill port to locate fluid level.
	Inspect cylinders, fittings and hydraulic connections for wear, damage or leaks	Tighten, repair or replace if needed.
Inspect platform uprights, slide tubes, slide tube carriers and inboard and outboard platform.	Replace damaged parts and resecure as needed.	
continued		

Maintenance and Lubrication Schedule

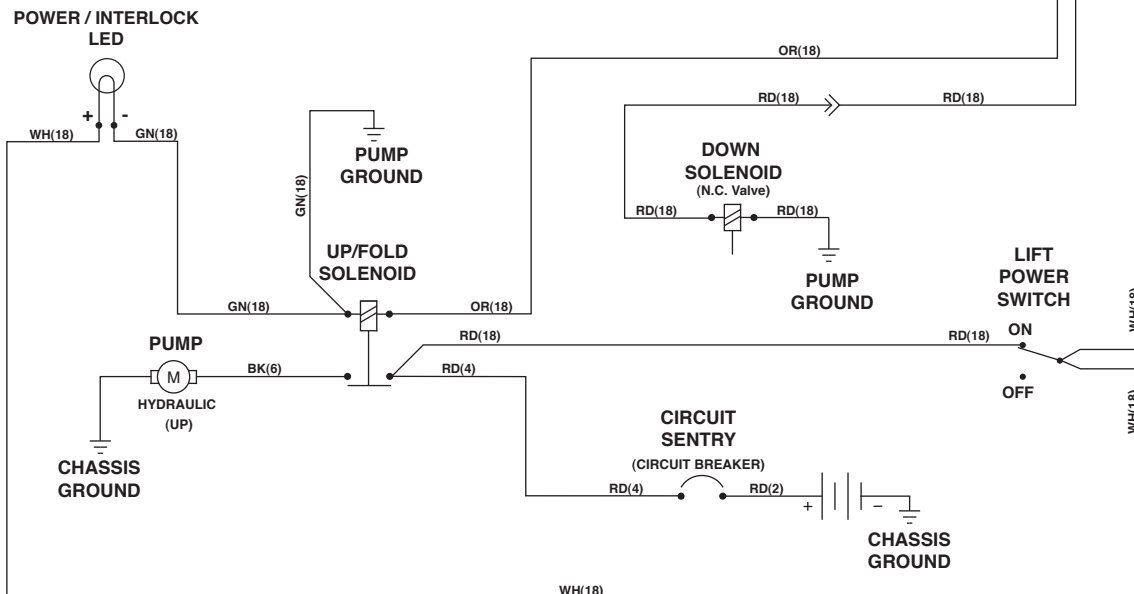
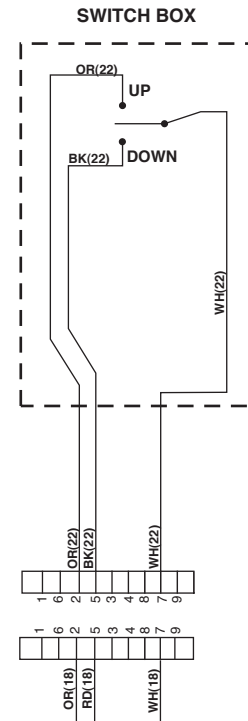
<div style="border: 1px solid black; padding: 2px; width: fit-content; margin-bottom: 10px;">continued</div> <div style="text-align: center; font-weight: bold; font-size: 1.2em;">4500 Cycles</div>	<p>Inspect slide tube chain main rollers (2)</p> <p>Inspect power cables</p> <p>Mounting</p> <p>Decals</p> <p>Inspect slide tube chains for stretch or damage.</p> <p>Inspect chain bolt for proper securement, chain attachment or damage.</p>	<p>Apply light oil or replace as needed. See Lubrication Diagram.</p> <p>Resecure, repair or replace if needed.</p> <p>Check to see that the lift is securely anchored to the vehicle and there are no loose bolts, broken welds, or stress fractures.</p> <p>Replace decals if worn, missing or illegible.</p> <p>Check chain tension at floor level. Both sides must be equal. Adjust using threaded chain bolt located inside slide tube. Replace if needed.</p> <p>Verify bolt is securely tightened and is aligned so that chain does not twist. Replace if needed.</p>
<div style="font-weight: bold; font-size: 1.2em;">Consecutive 750 Cycle Intervals</div>	<p>Repeat all previously listed inspection, lubrication and maintenance procedures at 750 cycle intervals.</p>	

Lift Electrical Schematic

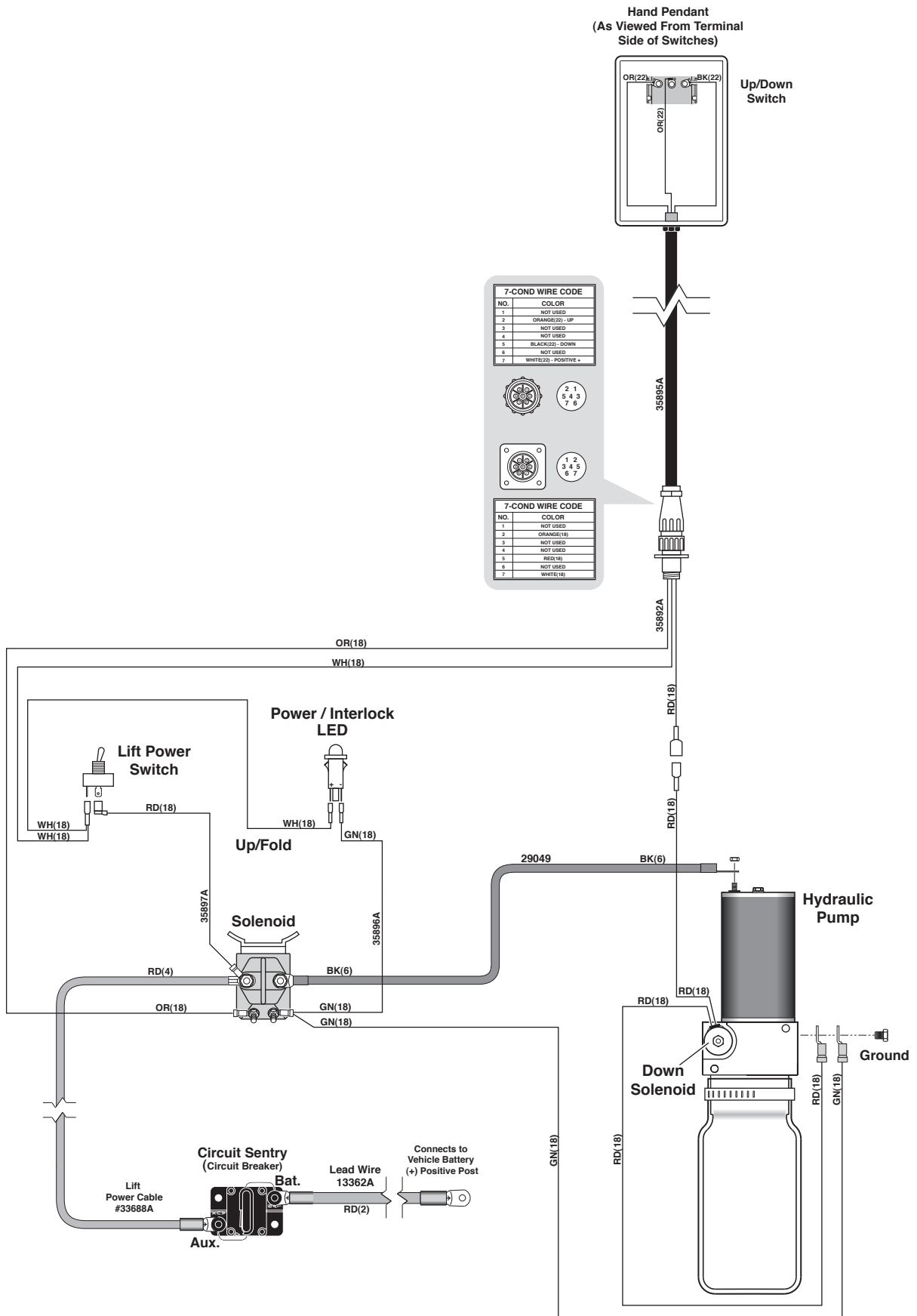
DESCRIPTION	SYMBOL
LED LIGHT	
BATTERY	
CHASSIS GROUND	
CIRCUIT BREAKER/FUSE	
JUNCTION	
MOTOR	
SOLENOID	
SWITCH	
CONNECTER	

NOTES:

1) JUNCTIONS ONLY OCCUR AT MARKED INTERSECTIONS.



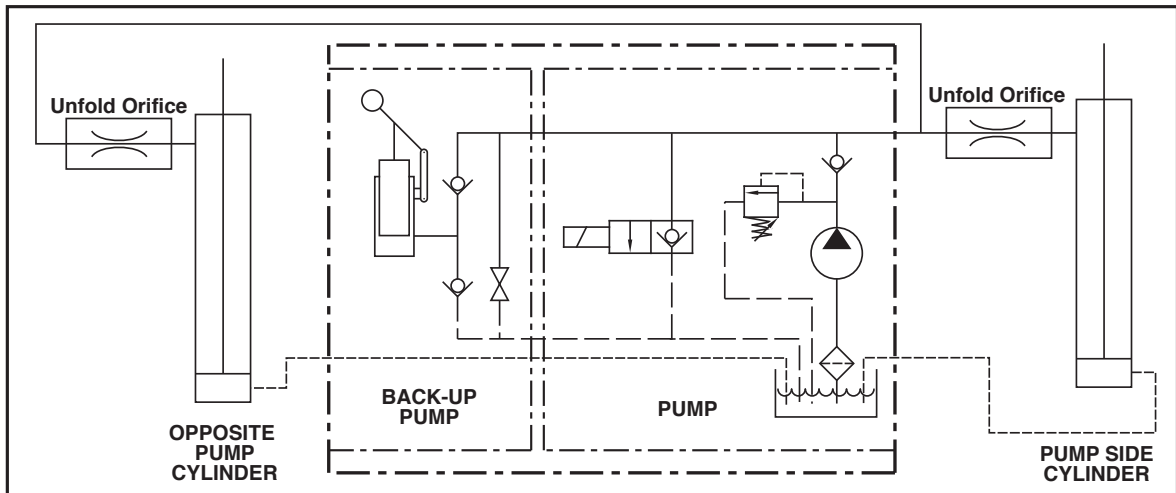
Lift Wiring Diagram



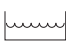


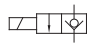
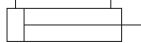
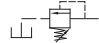





NOTES

This page intentionally left blank.

Hydraulic Schematic

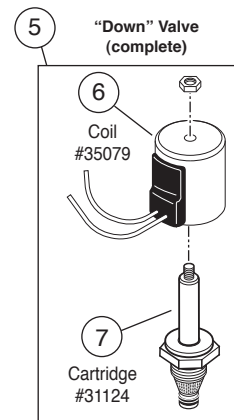


Description	Symbol	Description	Symbol
Fixed Displacement Pump		Manual Shut Off Valve	
Vented Reservoir		Unfold Orifice	
Lever		Solenoid Actuated 2 Way Normally Closed Valve	
Single Acting Cylinder		Relief Valve	
Check Valve		Filter	
Hydraulic Port			

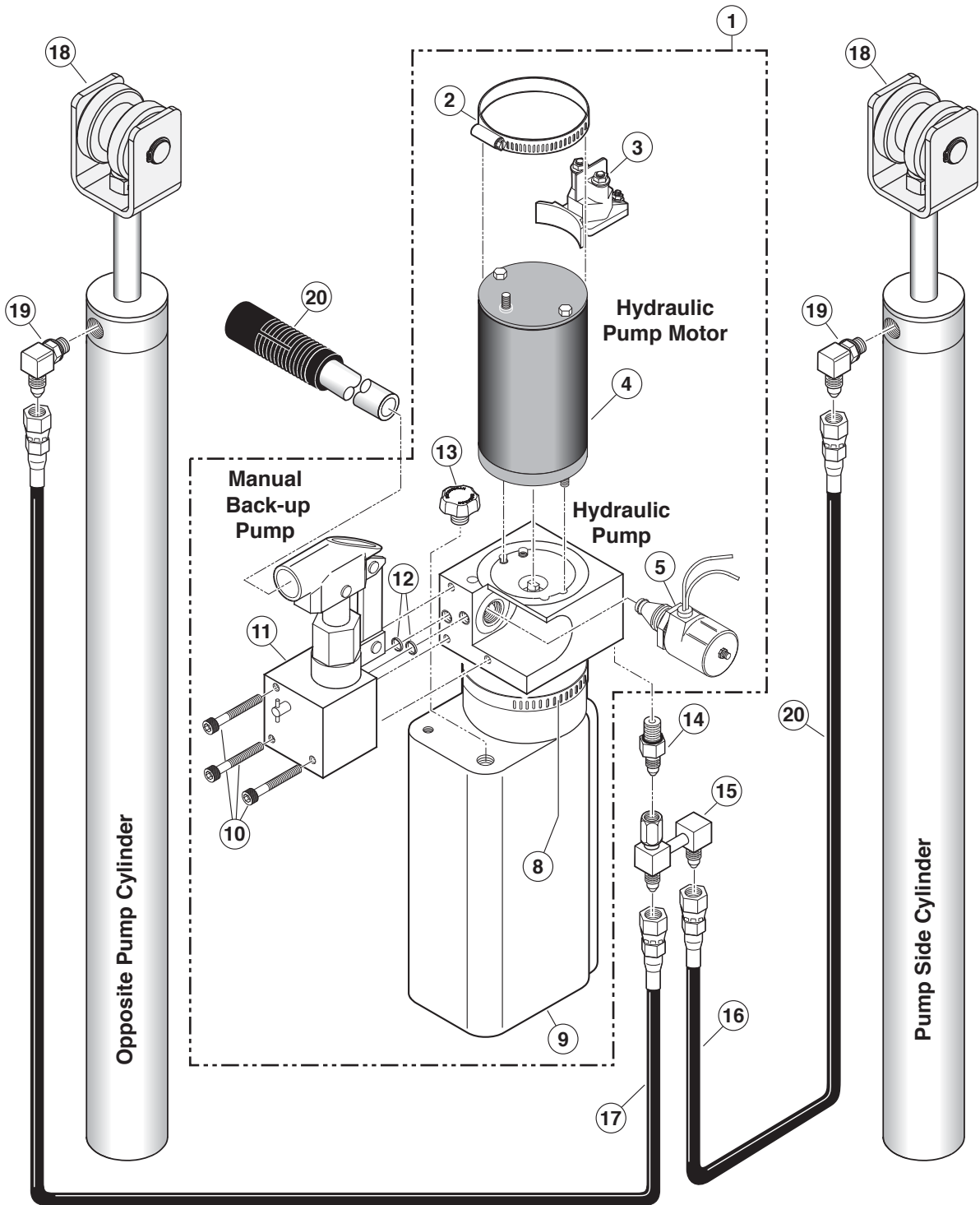
Hydraulics Parts List

Item	Qty.	Description	Part #
1	1	Pump Assembly (M3219-0115) 12V - w/Reservoir and Backup Pump	35702-12V
2	1	Clamp, Hose (M268)	29663
3	1	Solenoid, 4 - Post Trombetta - Angle	35310
4	1	Motor, Pump - 12V - Low RPM	29690
5	1	Valve Assembly, "Down" (complete) -- Includes items 6 & 7	35080
6	1	Coil (only), Valve - (shown below)	35079
7	1	Cartridge (only), "Down" Valve - (shown below)	31124
8	1	Clamp, Reservoir - H-48 (M259)	17069
9	1	Reservoir, Hydraulic Fluid	30160
10	3	Screw, 1/4-20 x 2-1/4", Allen Head	26080
11	1	Hand Pump (Backup) with O-Rings (Item 12)	31125
12	2	O-Ring (only), Hand Pump Mounting	17351
13	1	Cap, Reservoir Filler - Screw On	30167
14	1	Fitting, Male 7/16-20 SAE O-Ring to 7/16-20 JIC 37° Male	24504
15	1	Elbow, Manifold - 7/16-20 JIC 37 Female Swivel x 7/16-20 JIC 37° Male (2)	26579
16	1	Hose Assembly, 3/16" (Pump-Side)	915-5603-63.5
17	1	Hose Assembly, 3/16" (Opposite-Pump-Side)	915-5603-108
18	2	Cylinder (includes item 19)	C1522-2404SLA
19	2	Elbow, 90°, 3/8-24 SAE O-Ring Male - 7/16-20 JIC 37° Male - Orifice	35834
20	1	Handle with Grip	17206A

Seal Kits: If repairing a cylinder, order Seal Kit #1500-0500P.



Hydraulics Diagram



Pump Module Parts List

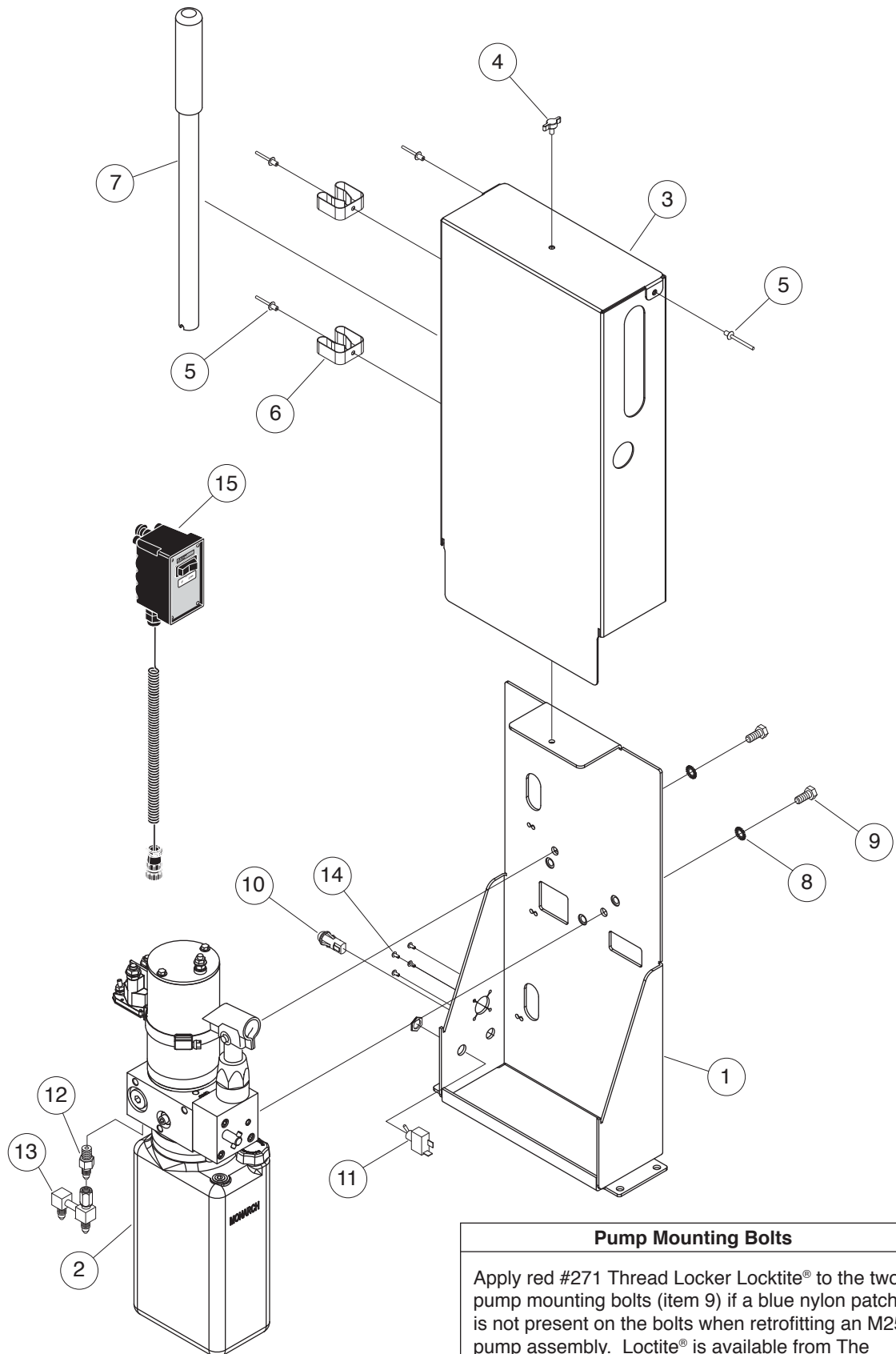
Item	Qty.	Description	Part #
	1	Pump Module (Contains 1-14 & 16-21)	SL05-001A
1	1	Weldment, Pump Mount	SL05-001W
2	1	Pump, M259 w/Monarch Reservoir - 12V	35702-12V
3	1	Cover, Pump	SL001-018
4	1	Screw, T-Head Thumb 10-32 x 3/8"	33435
5	4	Pop Rivet, 3/16" x .13"/.25" - SD64BS - Black	11513
6	2	Spring Clamp, Pump Handle	12350
7	1	Pump Handle with Grip	17206A
8	2	Washer, 5/16" External Tooth	16368
9	2	Bolt, 5/16-18 x 3/4" w/Nylock Patch ◆	29608
10	1	Diode, Green LED - Panel Mount	29545
11	1	Switch, Toggle w/Gold Contacts	31787
12	1	Fitting, 7/16-20 Male SAE O-Ring x 7/16-20 JIC 37° Male	24504
13	1	Elbow, Manifold - 7/16-20 JIC 37° Female Swivel x 7/16-20 JIC 37° Male (2)	26579
14	4	Snap Rivet, Nylon, .124" Hole x .197"-.236" Thick	29874
15	1	Hand Pendant ✕	35895A
16	1	Harness, Battery #4GA SGX - 3/8" Eye - 37' w/Loom ✓	33688A
17	1	Harness, Main - SL600 ✓	35892A
18	1	Harness, Ground - SL600 ✓	35896A
19	1	Harness, Power - SL600 ✓	35897A
20	1	Hose Assembly, 3/16" Diameter x 108" ✓	915-5603-108
21	1	Hose Assembly, 3/16" Diameter x 63.5" ✓	915-5603-63.5

(◆) Apply red #271 Thread Locker Loctite® to the two pump mounting bolts (item 9) if a blue nylon patch is not present on the bolts when retrofitting an M259 pump assembly. Loctite® is available from The Braun Corporation under part number 11522-1.

(✕) Indicates items not included with replacement pump modules (complete).

(✓) Indicates items not shown.

Pump Module Diagram

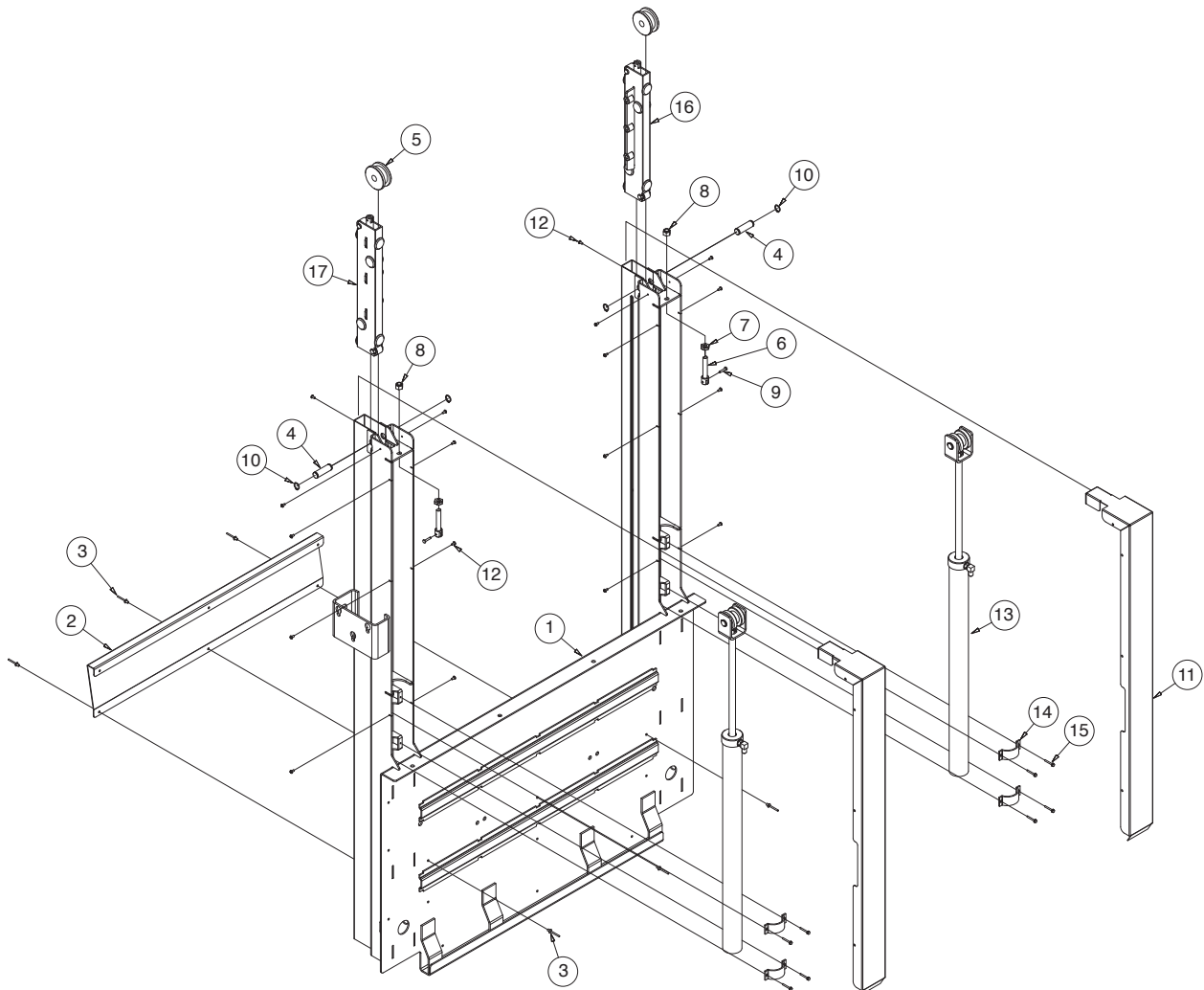


Pump Mounting Bolts

Apply red #271 Thread Locker Loctite® to the two pump mounting bolts (item 9) if a blue nylon patch is not present on the bolts when retrofitting an M259 pump assembly. Loctite® is available from The Braun Corporation under part number 11522-1.

Exploded Views and Parts Lists

Main Body Assembly

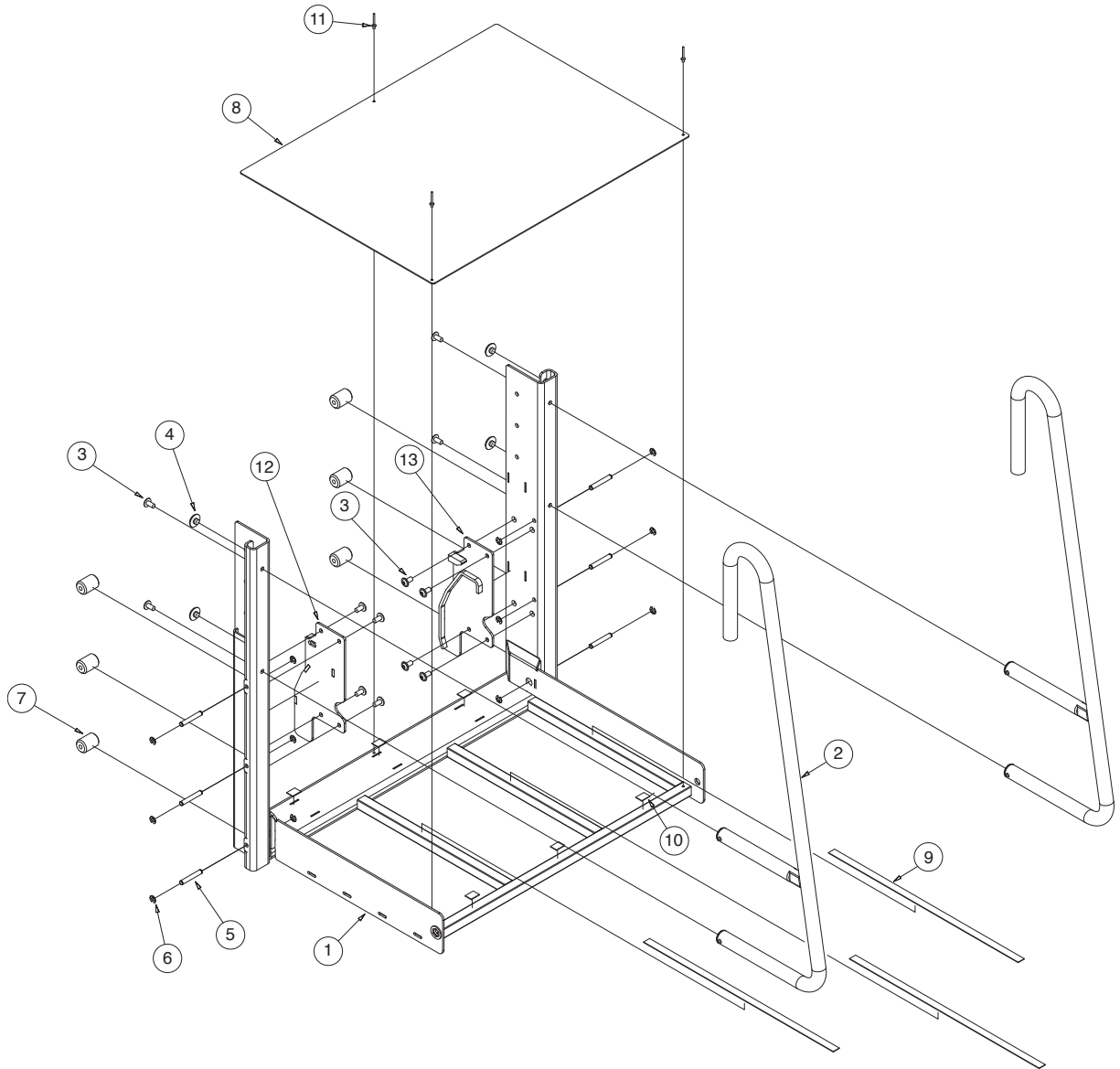


* - ITEMS NOT SHOWN

19	4	23173*	PIN-COTTER 1/32 X 1/2 (4X4)
18	2	21708R058*	CHAIN-LEAF-4X4-.5 PITCH X 58"
17	1	35380FA	ASSEMBLY-SLIDE TUBE-CARRIER
16	1	35380RA	ASSEMBLY-SLIDE TUBE-CARRIER
15	8	10084	SCREW-#8-18 X 1" SELF-TAP HEX
14	4	800-3003	CLAMP, CYLINDER (L800 & L205)
13	2	C1522-2404SLA	CYL. ASSY-STEPLIFT
12	18	13583	SCREW-#8-18 X 1/2" PH/PN SD-AUTO-BK
11	2	SL01-016	COVER-CHAIN CHANNEL
10	4	84189	RING-RETAINING 5/8
9	4	21759	PIN-COTTERED-466 CHAIN-TSUBAKI
8	2	12895	NUT-7/16-14 HEX NYLOCK
7	2	14414	NUT-7/16-14 HEX JAM/AUTO-BK
6	2	21711	BOLT-CHAIN-4X4:7/16-14-3.046
5	2	35362	ROLLER-MAIN
4	2	35359	PIN - MAIN ROLLER
3	6	11513	RIV-POP-SD64BS-3/16"- .13/.25/AUTO-BK
2	1	SL01-020Y	STEP STOP
1	1	SL01-001W	WMT-BACK PLATE
ITEM	QTY	PART NUMBER	DESCRIPTION

Exploded Views and Parts Lists

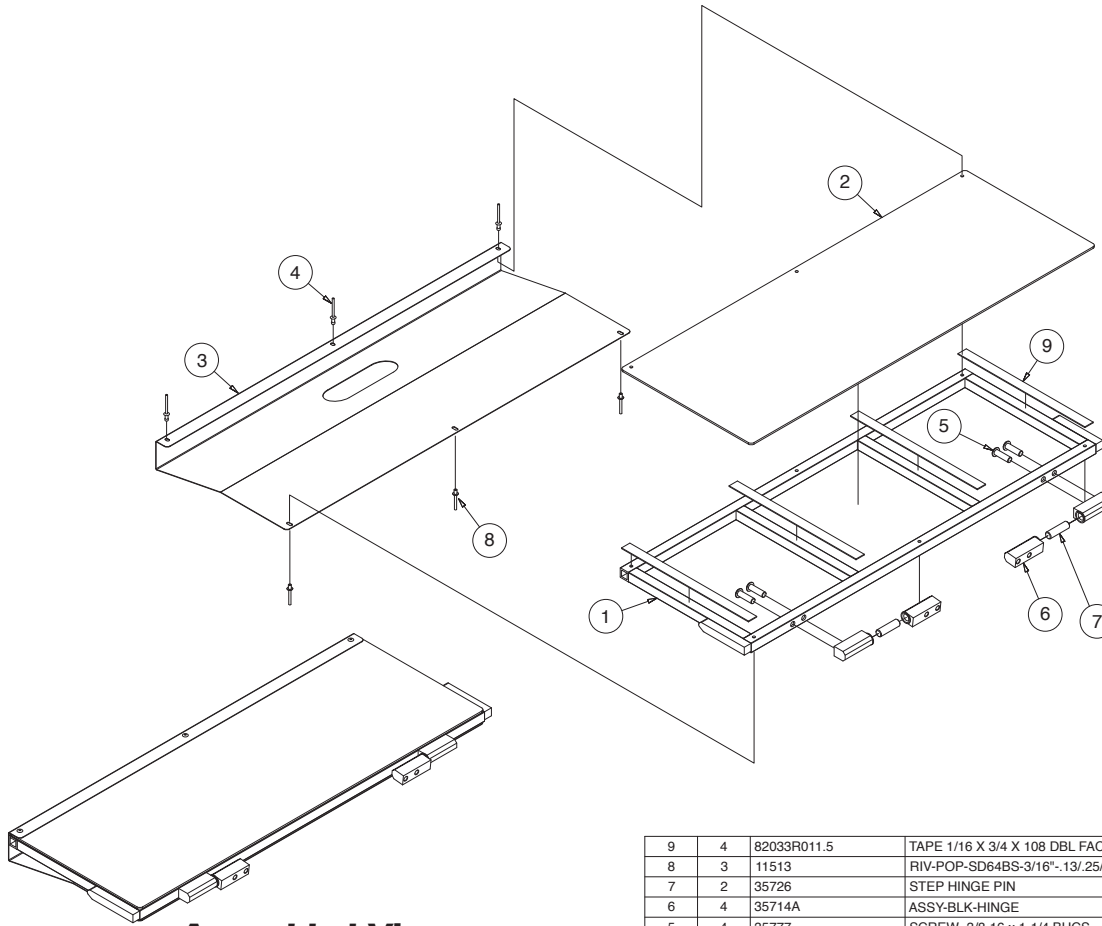
Upright / Platform Assembly



13	1	SL03-003FWY	WMT-BKT-STEP LOCK/FRONT
12	1	SL03-003RWY	WMT-BKT-STEP LOCK/REAR
11	3	11513	RIV-POP-SD64BS-3/16"- .13/.25/AUTO-BK
10	6	82033R001	TAPE 1/16 X 3/4 X 108 DBL FACE x 1"
9	4	82033R023.5	TAPE 1/16 X 3/4 X 108 DBL FACE x 23 1/2"
8	1	SL04-004DS	PLATFORM SKIN-INNER
7	6	35361	ROLLER-UPRIGHT
6	12	84383	E CLIP-3/8 SHAFT
5	6	35570	PIN-CARRIER ROLLER
4	4	205-1760	BEARING-UHMW FLAT/1.226-THN-BLK
3	12	25171	BOLT-5/16-18 X 2" FLBHSCS-GD8
2	2	SL06-001WY	WMT-HANDRAIL
1	1	SL03-001W	WMT-PLATFORM
ITEM	QTY	PART NUMBER	DESCRIPTION

Exploded Views and Parts Lists

Step Assembly



Assembled View

9	4	82033R011.5	TAPE 1/16 X 3/4 X 108 DBL FACE x 11 1/2"
8	3	11513	RIV-POP-SD64BS-3/16"- .13/.25/AUTO-BK
7	2	35726	STEP HINGE PIN
6	4	35714A	ASSY-BLK-HINGE
5	4	35777	SCREW- 3/8-16 x 1-1/4 BHCS
4	3	14993	RIV-POP-SD66BS-3/16"- .25/.38/AUTO-BK
3	1	SL01-021Y	STEP COVER
2	1	SL01-012	STEP SKIN
1	1	SL01-008W	WMT-STEP
ITEM	QTY	PART NUMBER	DESCRIPTION

Outer Platform Assembly Parts List

(See Illustration at Right)

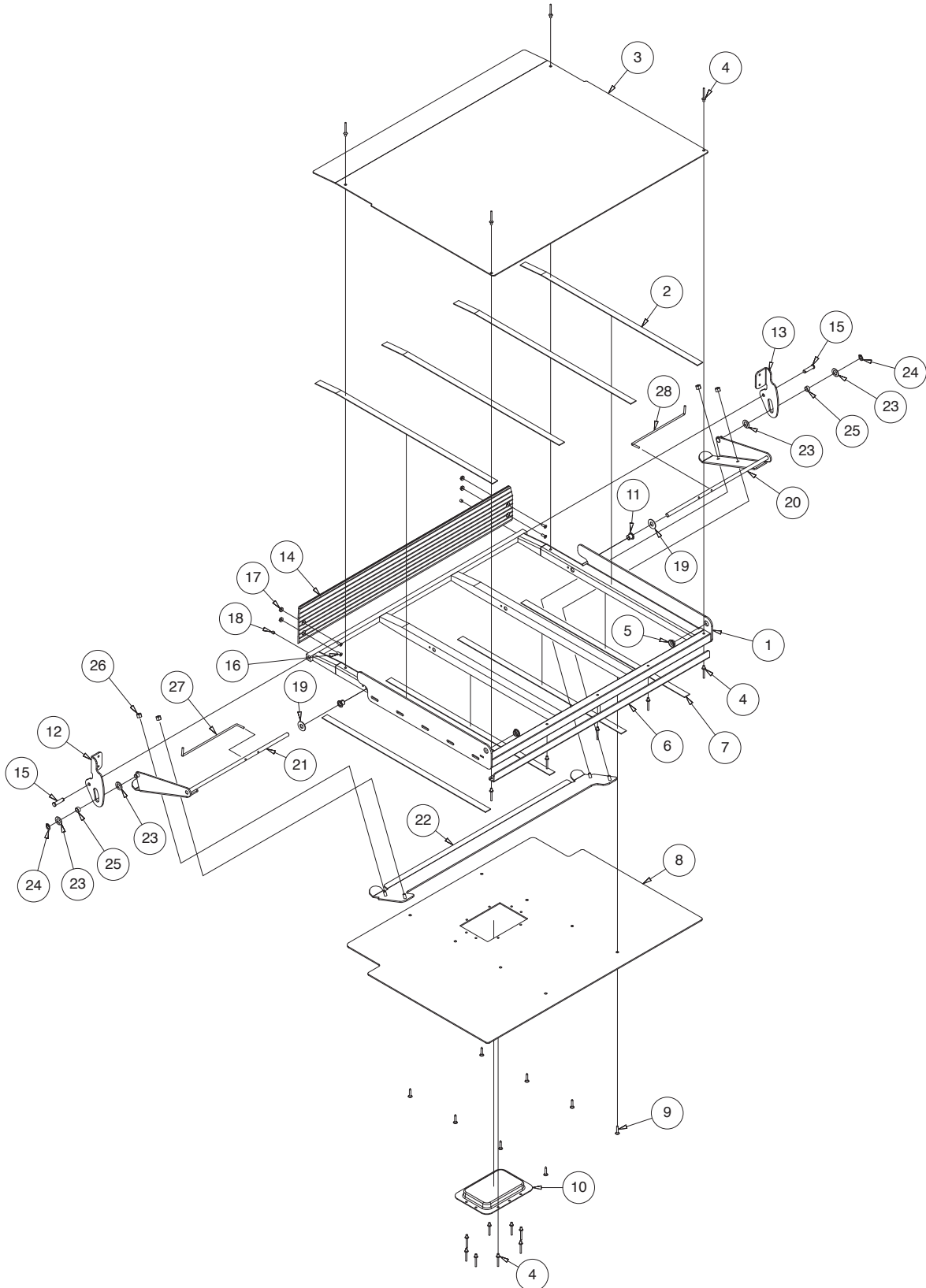
14	1	SL04-011Y	ROLLSTOP-STEP LIFT
13	1	SL04-012R	ROLL STOP - REAR
12	1	SL04-012F	ROLL STOP - FRONT
11	2	28128	BEARING-FLANGE-10MM X 12MM-BB1012DU
10	1	35766	HANDLE-PLATFORM UNFOLD-STEPLIFT
9	8	14549	SCREW-#8-18 X 1" WH SELF TAP/AUTO-BK
8	1	SL04-009B	OUTER PLATFORM SKIN-BOTTOM
7	4	82033R023.5	TAPE 1/16 X 3/4 X 108 DBL FACE x 23 1/2
6	1	SL04-010Y	OUTER PLATFORM-TRIM
5	2	24442	BEARING-FLANGE-1/2" X 1/4"-08FDU04
4	17	11513	RIV-POP-SD64BS-3/16"- .13/.25/AUTO-BK
3	1	SL04-009TDS	OUTER PLATFORM SKIN-TOP
2	4	82033R025.5	TAPE 1/16 X 3/4 X 108 DBL FACE x 25 1/2
1	1	SL04-005W	WMT/OUTER PLATFORM
ITEM	QTY	PART NUMBER	DESCRIPTION

28	1	28132R	ROD-5/32" TORSION SPRING BAR - REAR
27	1	28132F	ROD-5/32" TORSION SPRING BAR - FRONT
26	4	14614	NUT-1/4-20 NYLOCK/AUTO-BK
25	2	945-0336N	BEARING-PLATFORM SLIDE
24	2	13889	RING-1/2 EXT SELF LOCK SNAP/AUTO-BK
23	4	29371	WASHER-THRUST-.875 OD/.50 ID/.0585T
22	1	SL04-015	GROUND FOOT-SAC PAD
21	1	SL04-014FW	WMT-LATCH FOOT-FRONT
20	1	SL04-014RW	WMT-LATCH FOOT-REAR
19	2	10064	WASHER-3/8" FLAT/AUTO-BK
18	2	11563	SCREW-1/4-20 X 1/4 SET CUP PT
17	4	18349	NUT-#10-32 W/LOCKWASHER/AUTO-BK
16	4	17192P	SCREW-#10-32X1/2 FHDHXS-AUTO BLK-W/PATCH
15	2	28131	PIN-CLEVIS-5/16 X 1.032" LEN-AUTO BLACK
ITEM	QTY	PART NUMBER	DESCRIPTION

Exploded Views and Parts Lists

Outer Platform Assembly

(See Parts List on Lower Left)



Braun® Limited Warranty

WARRANTY COVERAGE AND WARRANTY COVERAGE TIME PERIODS

The Braun Corporation (“Braun”) warranty covers certain parts of this wheelchair lift for three (3) years or 7500 cycles and the cost of labor to repair or replace those parts for one (1) year or 2500 cycles . This limited warranty covers substantial defects in materials and workmanship of the lift, provided that the lift is operated and maintained properly and in conformity with the owner’s manual. The warranty period begins on the date that the product is delivered to the first retail purchaser by an independent, authorized dealer of Braun, or, if the dealer places the product into any type of service prior to retail sale, on the date the dealer first places the product in such service. This limited warranty applies only to the first purchaser. It may not be transferred.

WHAT BRAUN WILL DO TO CORRECT PROBLEMS

In the event that a substantial defect in material or workmanship, attributable to Braun, is found to exist during the first year of warranty coverage, it will be repaired or replaced, at Braun’s option, without charge for parts or labor to the owner, in accordance with the terms, conditions and limitations of this limited warranty. If the substantial defect in material or workmanship, attributable to Braun, is found to exist during the second or third year of warranty coverage, it will be repaired or replaced, at Braun’s option, without charge to the owner for parts, only, in accordance with the terms, conditions and limitations of this limited warranty. The cost of labor for any repair or replacement in the second and third year of warranty coverage is the sole responsibility of the owner. This warranty does not cover labor costs in the second or third year of coverage.

Braun’s obligation to repair or replace defective materials or workmanship is the sole obligation of Braun under this limited warranty. Braun reserves the right to use new or remanufactured parts of similar quality to complete any work, and to make parts and design changes from time to time without notice to anyone. Braun reserves the right to make changes in the design or material of its products without incurring any obligation to incorporate such changes in any previously manufactured product. Braun makes no warranty as to the future performance of this product, and this limited warranty is not intended to extend to the future performance of the product. In addition, the owner’s obligation to notify Braun, or one of its authorized, independent dealers, of a claimed defect does not modify any obligation placed on the owner to contact Braun directly when attempting to pursue remedies under state or federal law.

LIMITATIONS, EXCLUSIONS AND DISCLAIMER OF IMPLIED WARRANTIES

ANY IMPLIED WARRANTY THAT IS FOUND TO ARISE BY WAY OF STATE OR FEDERAL LAW, INCLUDING ANY IMPLIED WARRANTY OF MERCHANTABILITY OR ANY IMPLIED WARRANTY OF FITNESS, IS LIMITED IN DURATION TO THE TERMS OF THIS LIMITED WARRANTY AND IS LIMITED IN SCOPE OF COVERAGE TO THE SCOPE OF COVERAGE OF THIS LIMITED WARRANTY.

Braun disclaims any express or implied warranty, including any implied warranty of fitness or merchantability, on items excluded from coverage as set forth in this limited warranty. Braun makes no warranty of any nature beyond that contained in this limited warranty. No one has authority to enlarge, amend or modify this limited warranty, and Braun does not authorize anyone to create any other obligation for it regarding this product. Braun is not responsible for any representation, promise or warranty made by any independent dealer or other person beyond what is expressly stated in this limited warranty. Any selling or servicing dealer is not Braun’s agent, but an independent entity.

BRAUN SHALL NOT BE LIABLE FOR ANY INCIDENTAL OR CONSEQUENTIAL DAMAGES THAT MAY RESULT FROM BREACH OF THIS LIMITED WARRANTY OR ANY IMPLIED WARRANTY. THIS EXCLUSION OF CONSEQUENTIAL AND INCIDENTAL DAMAGES SHALL BE INDEPENDENT OF ANY FAILURE OF THE ESSENTIAL PURPOSE OF ANY WARRANTY, AND THIS EXCLUSION SHALL SURVIVE ANY DETERMINATION THAT THIS LIMITED WARRANTY OR ANY IMPLIED WARRANTY HAS FAILED OF ITS ESSENTIAL PURPOSE. This warranty does not cover, and in no event shall Braun be liable for towing charges, travel, lodging, or any other expense incurred due to the loss of use of the product or other reason.

Braun® Limited Warranty

Some states do not allow limitations on how long an implied warranty lasts, or the exclusion or limitation of incidental or consequential damages, so the above limitations or exclusions may not apply to you.

HOW TO GET SERVICE

To obtain warranty service the owner must do all of the following:

1. Notify an authorized service center, of the claimed defect attributable to Braun, within the warranty coverage period designated above.
2. Provide the notification mentioned in (1), above, within ten (10) days of when the owner discovered, or should have discovered, the claimed defect.
3. Promptly schedule an appointment with and take the product to an authorized service center for service.
4. Pay any transportation costs and all expenses associated with obtaining warranty service.

Since Braun does not control the scheduling of service work at the independent dealerships you may encounter some delay in scheduling or completion of work. If you need assistance you may contact Braun, at 631 West 11th Street, Winamac, Indiana 46996; 1-800-THE-LIFT, (843-5438).

If two (2) or more service attempts have been made to correct any covered defect that you believe impairs the value, use or safety of the product, or if it has taken longer than thirty (30) days for repairs to be completed, you must, to the extent permitted by law, notify Braun directly, in writing, at the above address, of the unsuccessful repair(s) of the alleged defect(s) so that Braun can become directly involved in providing service pursuant to the terms of this limited warranty.

WHAT IS NOT COVERED

This Limited Warranty does not cover any of the following: defects in materials, components or parts of the product not attributable to Braun, any material, component or part of the product that is warranted by another entity (Note: the written warranty provided by the manufacturer of the material, component or part is the direct responsibility of that manufacturer); items that are added or changed after the product leaves Braun's possession; additional items installed at any dealership, or other place of business, or by any other party, other than Braun; normal wear, tear, usage, maintenance, service, periodic adjustments, the effects of condensation or moisture from condensation; mold or any damage caused by mold; imperfections that do not affect the product for its intended purpose; items that are working as designed but that you are unhappy with; problems related to misuse, mishandling, neglect or abuse, including failure to maintain the product in accordance with the owner's manual, or other routine maintenance such as inspections, lubricating, adjustments, tightening of screws, sealing, wheel alignments or rotating tires; damage due to accident or collision, including any acts of weather or damage or corrosion due to the environment; theft, vandalism, fire, or other intervening acts not attributable to Braun; damage resulting from tire wear or tire failure; defacing, scratches, dents or chips on any interior or exterior surface of the product, including those caused by rocks or other road hazards, damage caused by off road use, overloading or alteration of the product, or any of its components or parts.

Defects and/or damage to interior and exterior surfaces and other appearance items may occur at the factory or when the product is in transit. These items are usually detected and corrected at the factory or by a dealer prior to delivery to the purchaser. You must inspect the product for this type of damage when you take delivery. If you find any such defect or damage you must notify the selling dealer, or Braun, at the time of delivery to have these items covered by this limited warranty and to have work performed on the items at no cost to you as provided by this limited warranty.

Braun® Limited Warranty

EVENTS DISCHARGING BRAUN FROM OBLIGATION UNDER WARRANTY

The following shall completely discharge Braun from any express or implied warranty obligation to repair or replace anything and void this warranty: misuse, neglect, collision, accidents, failure to provide routine maintenance (See Owner's Manual), unauthorized alteration, off road use, Acts of Nature, damage from weather or the environment, theft, vandalism, tampering, fire, explosions, overloading the product and odometer tampering.

LEGAL REMEDIES

Any action to enforce any portion of this limited warranty, or any implied warranty, must be commenced within six (6) months after expiration of the warranty coverage period designated above or the action will be barred because of the passage of time. Any performance of repairs shall not suspend this limitation period from expiring. Any performance of repairs after the warranty coverage period has expired, or performance of repairs regarding any thing excluded from coverage under this limited warranty shall be considered "good will" repairs, and they will not alter the terms of this limited warranty, or extend the warranty coverage period or the filing limitation period in this paragraph. In addition, since it is reasonable to expect that the product will need some service during the warranty period, this warranty does not extend to future performance. It only sets forth what Braun will do and does not guarantee anything about the product for any time period. Nothing in this warranty, or any action of Braun, or any agent of Braun, shall be interpreted as an extension of any warranty period or the filing limitation period in this paragraph. Some states do not allow a reduction in the statute of limitations, so this reduction may not apply to you.

WARRANTY REGISTRATION and MISCELLANEOUS

Your warranty registration records should be completed and delivered to the appropriate companies, including the Braun Delivery Checklist & Warranty form. That form must be returned to Braun within twenty (20) days of purchase. The Braun warranty will not be registered unless this warranty registration is completed and received by Braun. Failure to file this warranty registration with Braun will not affect your rights under this limited warranty as long as you can present proof of purchase, but it can cause delays in obtaining the benefits of this limited warranty, and it changes the start date of the warranty to the date of final assembly of the product by Braun.

Braun agrees to repair or replace any of its factory installed parts found to have substantial defects within the appropriate warranty period designated above, provided that the repair is authorized by Braun and carried out by an authorized service center (a Braun labor schedule determines the cost allowance for repairs). Braun will not honor any warranty claim for repairs or replacement of parts unless the claim is submitted with the appropriate paperwork, and the work is completed by an independent, factory authorized service center. The appropriate paperwork can be obtained by written or phone contact with Braun at the contact information in this warranty.

Braun reserves the right to designate where any warranty work can be performed. Braun also reserves the right to examine any defective workmanship or part prior to giving any authorization for warranty work. Braun's return authorization procedure must be adhered to in order to process any warranty claims.

THIS WARRANTY GIVES YOU SPECIFIC LEGAL RIGHTS. YOU MAY ALSO HAVE OTHER RIGHTS THAT VARY FROM STATE TO STATE.

"Providing Access to the World"®



**Over 300 Braun
Dealers Worldwide**

 **THE BRAUN
CORPORATION®**
"Providing Access to the World"



International Corporate Hdqrs: P.O. Box 310 Winamac, IN 46996 USA
1-800-THE LIFT® (574) 946-6153 FAX: (574) 946-4670

Service Manual for:
Series 01
SL600
Lift Series

35973
March 2010

BRAUN
SL600
SERIES

Braun SL600 Series™



"Providing Access to the World"®
International Corporate Hdqrs: P.O. Box 310 Winamac, IN 46996 USA
1-800-THE LIFT® (574) 946-6153 FAX: (574) 946-4670



All illustrations, descriptions and specifications in this manual are based on the latest product information available at the time of publication. The Braun Corporation reserves the right to make changes at any time without notice.