

G1 STEERING

STEERING WHEEL-----	G1-1
REMOVAL AND INSTALLATION(VEHICLES WITH AIRBAG) -----	G1-1

G1-1

1 STEERING WHEEL

1-1 REMOVAL AND INSTALLATION(VEHICLES WITH AIRBAG)


CAUTION

- Refer to the INSTRUCTIONS FOR SERVICE OPERATION.

Refer to Page TERIOS (F7 series) SERVICE MANUAL -Chassis- Rev. 1 [No.7602] A1-36.

1-1-1 ARTICLES TO BE PREPARED

SST

Shape	Part No.	Part name
	09950-50013-000 (09950-50012-000)	Puller, C set

Lubricant, adhesive, others

MP grease

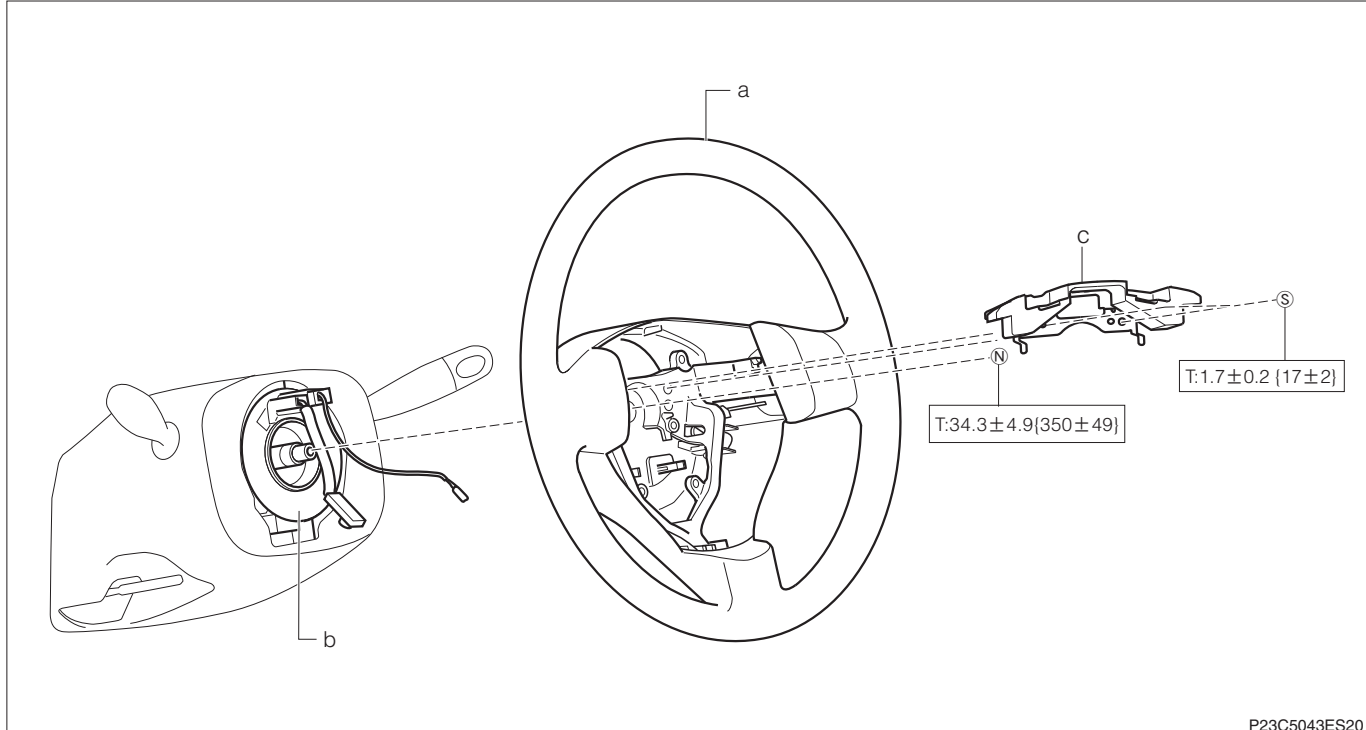
1-1-2 OPERATION BEFORE REMOVAL

1. After turning the IG switch to LOCK, disconnect the negative terminal of the battery and wait for at least 90 seconds.
2. Ensure that the steering wheel S/A is in a position where the vehicle will move straight ahead.
3. Remove the steering wheel pad Ay.

Refer to Page TERIOS (F7 series) SERVICE MANUAL -Chassis- [No.9829] H1-1.

1-1-3 REMOVAL AND INSTALLATION PROCEDURES

(1) Components



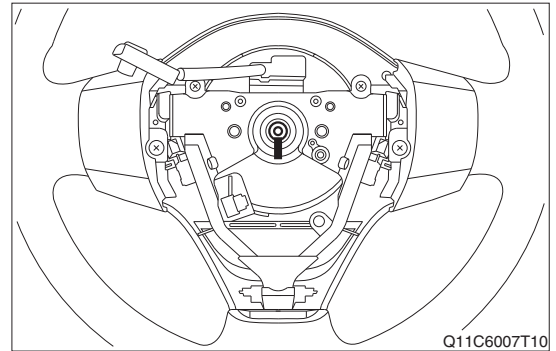
Unit:N·m{kgf·cm}

(2) Removal and installation procedures

- ▼ ▲ 1 a Wheel S/A, steering
- 2 b Cable S/A, spiral
- 3 c Damper, steering wheel

1-1-4 POINTS OF REMOVAL**(1) Wheel S/A, steering**

1. When reinstalling the wheel S/A, remove the nut, and put match marks on the wheel S/A and the steering column Ay.



2. When the wheel S/A is stuck and hard to remove, use the SST to remove it.

- (1) As shown in the figure, while holding the SST with an adjustable wrench, drive the SST with a box end wrench or alike to remove it.

SST: 09950-50013-000

NOTE

- Use the following SST.
09951-05010,09952-05010,09953-05020,09954-05020

CAUTION

- Use the SST by applying a small amount of MP grease to the screw portion and the tip of the SST's center bolt (09953-05020).

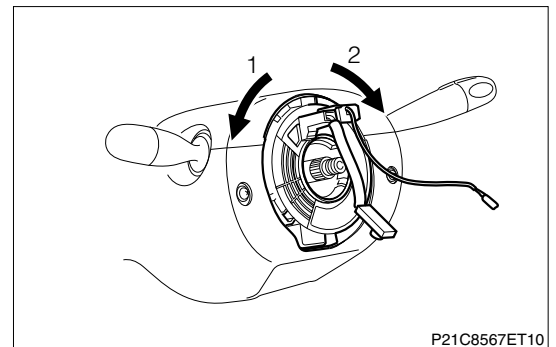
LUBRICANT: MP grease

1-1-5 POINTS OF INSTALLATION**(1) Wheel S/A, steering**

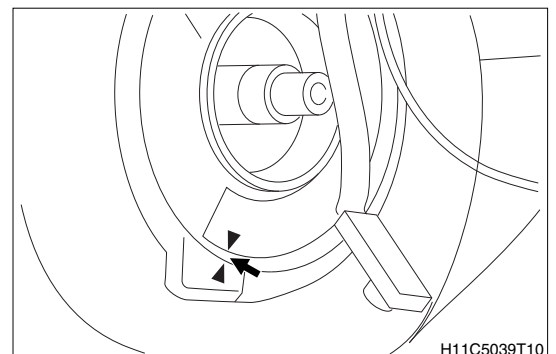
1. Ensure that the tires are in a straight-ahead state.
2. Align the center position of the spiral cable S/A.
 - (1) Turn the spiral cable S/A counter-clockwise (in the direction indicated by 1 in the figure) until it locks, then turn it clockwise (in the direction indicated by 2 in the figure) approximately 2.5 turns.

NOTE

- The spiral cable S/A turns approximately 5 rotations lock to lock.

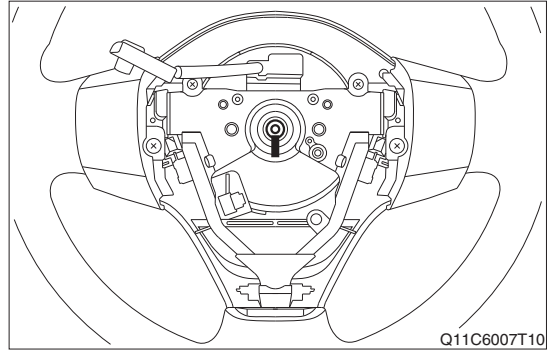


- (2) Align the center position of the spiral cable S/A by turning it toward the center mark to align.

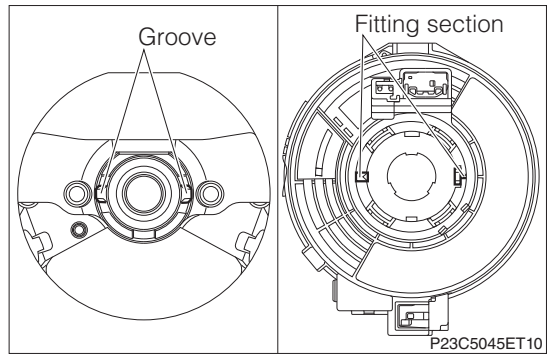


G1-3

3. When reinstalling the wheel S/A that has been removed, align it to the match marks to install it.



4. Securely insert the wheel S/A as far as it will go. Turn it two or three times to the left and right to attach it to the steering column Ay in such a way that the fitting section of the spiral cable S/A side is aligned with the groove of the wheel S/A.



1-1-6 OPERATION AFTER INSTALLATION

1. Ensure that the steering wheel S/A and the tires are in a position where the vehicle will move straight ahead.
2. Install the steering wheel pad Ay.
Refer to Page TERIOS (F7 series) SERVICE MANUAL -Chassis- [No.9829] H1-1.
3. Connect the battery's negative terminal.
4. Set the IG SW to ON. Ensure that the airbag warning lamp turns off after lighting for approximately 6 seconds.