

Service Manual

ORDER NO.
RRV2529

DVD RECEIVER

XV-HTD1

THIS MANUAL IS APPLICABLE TO THE FOLLOWING MODEL(S) AND TYPE(S).

Type	Model	Power Requirement	Region No.	Remarks
	XV-HTD1			
NKXJ	○	AC220V	3	

● This product is component of system.

Component	System	Service Manual	Remarks
DVD SURROUND SYSTEM	_____	_____	
DVD RECEIVER	XV-HTD1	RRV2529 (RRV2460)	This service manual
SPEAKER SYSTEM	S-HTD1	RRV2456	

● This service manual should be used together with the following manual(s):

Model No.	Order No.	Remarks
XV-HTD1/MYXJ	RRV2460	

CONTENTS

1. SAFETY INFORMATION	2
2. CONTRAST OF MISCELLANEOUS PARTS	3
3. SCHEMATIC DIAGRAM	6

1. SAFETY INFORMATION

WARNING

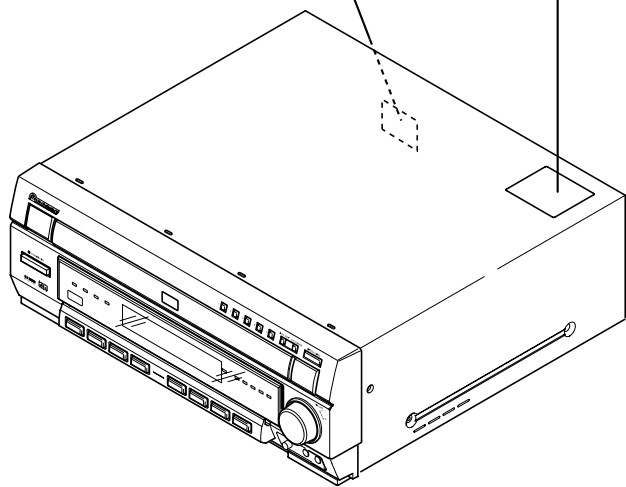
THE AEL (ACCESSIBLE EMISSION LEVEL) OF THE LASER POWER OUTPUT IS LESS THAN CLASS 1 BUT THE LASER COMPONENT IS CAPABLE OF EMITTING RADIATION EXCEEDING THE LIMIT FOR CLASS1.
A SPECIALLY INSTRUCTED PERSON SHOULD DO SERVICING OPERATION OF THE APPARATUS.

LASER DIODE CHARACTERISTICS

FOR DVD : MAXIMUM OUTPUT POWER : 5 mW
WAVELENGTH : 655 nm
FOR CD : MAXIMUM OUTPUT POWER : 5mW
WAVELENGTH : 785 nm

LABEL CHECK

Printed on the Rear Panel



Additional Laser Caution

1. Inside detection switch (S201 on the SMEB assy) and clamp-status detection switch (S11 on the TRSB assy) are detected by the microprocessor (IC11 in the DVDM assy).
 - To permit the laser diode to oscillate, it is required to set the inside detection switch for the inside position (S201 : ON) and to set the loading-status detection switch for the clamp position (the center terminal of S11 is shorted to +3.3V). The 655 nm laser diode for DVD oscillation will continue if pin 19 of IC1 is shorted to +5V (fault condition) in the DVDM assy. The 785 nm laser diode for CD oscillates if pin 20 of IC1 is shorted to +5V in the DVDM assy. In the test mode *, the laser diode oscillates when microprocessor detects a PLAY signal, or when the PLAY key is pressed (S5817 ON in the KEYB assy), with the above requirements satisfied.
2. When the cover is open, close viewing through the objective lens with the naked eye will cause exposure to the laser beam.

* : Refer to page 74 on service manual RRV2460.

2. CONTRAST OF MISCELLANEOUS PARTS

- NOTES: ● Parts marked by "NSP" are generally unavailable because they are not in our Master Spare Parts List.
 ● The Δ mark found on some component parts indicates the importance of the safety factor of the part. Therefore, when replacing, be sure to use parts of identical designation.
 ● Screws adjacent to ∇ mark on product are used for disassembly.
 ● Reference Nos. indicate the pages and Nos. in the service manual for the base model.
 ● When ordering resistors, first convert resistance values into code form as shown in the following examples.
 Ex.1 When there are 2 effective digits (any digit apart from 0), such as 560 ohm and 47k ohm (tolerance is shown by J=5%, and K=10%).
- | | | | | | | | | | | |
|-----|---|------------------|-------|-----|-------|---------|---|---|---|---|
| 560 | → | 56×10^1 | → | 561 | | RD1/4PU | 5 | 6 | 1 | J |
| 47k | → | 47×10^3 | → | 473 | | RD1/4PU | 4 | 7 | 3 | J |
| 0.5 | → | R50 | | | | RN2H | R | 5 | 0 | K |
| 1 | → | 1R0 | | | | RSIP | T | R | 0 | K |
- Ex.2 When there are 3 effective digits (such as in high precision metal film resistors).
- | | | | | | | | | | | | |
|-------|---|-------------------|---|------|-------|---------|---|---|---|---|---|
| 5.62k | → | 562×10^1 | → | 5621 | | RN1/4PC | 5 | 6 | 2 | 1 | F |
|-------|---|-------------------|---|------|-------|---------|---|---|---|---|---|

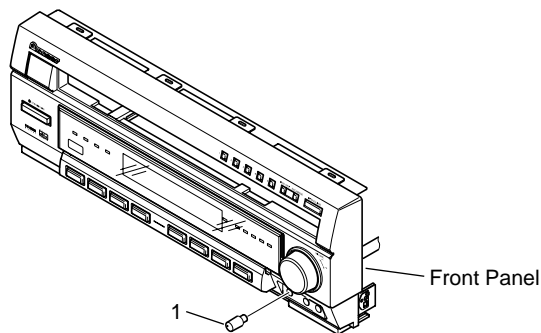
■ CONTRAST TABLE

XV-HTD1/NKXJ and MYXJ are constructed the same except for the following :

Ref. No.	Mark	Symbol and Description	Part No.		Remarks	
			XV-HTD1 /MYXJ	XV-HTD1 /NKXJ		
PCB ASSEMBLIES						
P5- 2	NSP	COMPLEX ASSY	XWM3188	XWM3192		
P5- 3		└ PRIMARY ASSY	XWZ3433	XWZ3437		
P5- 4		└ FRONT AMP ASSY	XWZ3439	XWZ3441		
P5- 6		└ REAR AMP ASSY	XWZ3443	XWZ3445		
		└ MIC HP ASSY	XWZ3451	XWZ3452		
CONNECT ASSY						
P5- 7	NSP	└ INPUT ASSY	XWM3194	XWM3196		
			XWZ3456	XWZ3458		
P5- 9		MAIN ASSY	XWX3031	XWX3043		
P5-10		DSP ASSY	XWX3040	XWX3041		
PACKING SECTION						
P3- 1	NSP	Δ Power Cord	ADG1154	DDG1086		
P3- 9		Packing Case	XHD3193	XHD3194		
P3-12		Warranty Card	ARY7022	Not used		
P3-13		Operating Instructions (English)	XRB3006	Not used		
P3-14		Operating Instructions (French/German/Italian)	XRC3034	Not used		
P3-16		Operating Instructions (Dutch/Swedish/Portuguese)	XRC3035	Not used		
P3-17		Operating Instructions (Spanish)	XRC3036	Not used		
		Operating Instructions (Korean)	Not used	XRC3039		
		Region Label (For Packing Case)	Not used	VRW1702		
EXTERIOR SECTION						
P5-18		5P F.F.C/60V	XDD3093	Not used		
P5-18		8P F.F.C/60V	Not used	XDD3092		
P5-22		Rear Panel	XNC3098	XNC3105		
P5-37		Caution Label	VRW1699	VRW1886		
		Mic Knob	Not used	XAB3014		
FRONT PANEL SECTION						
P6- 5	NSP	Front Panel Assy	XXG3072	XXG3073		
P6- 6		Front Cap	XAK3212	XAK3211		
P6- 7		Display Panel	XAK3214	XAK3215		

Notes : For PCB ASSEMBLIES, Refer to "CONTRAST OF PCB ASSEMBLIES" and "3. SCHEMATIC DIAGRAM".
 The numbers in the remarks column correspond to the numbers on the "EXPLODED VIEWS".

■ EXPLODED VIEWS



■ CONTRAST OF PCB ASSEMBLIES

KF INPUT ASSY

XWZ3458 and XWZ3456 are constructed the same except for the following :

Mark	Symbol and Description	Part No.		Remarks
		XWZ3456	XWZ3458	
	IC5353 C5241, C5247 C5242, C5248 C5271, C5272 R5241-R5248 R9001, R9002	Not used Not used Not used CCSRCH101J50 Not used RS1/16S0R0J	BA4558F-HT CEAT100M50 CCSRCH470J50 CCSRCH221J50 RS1/16S332J Not used	

OF MIC HP ASSY

XWZ3452 and XWZ3451 are constructed the same except for the following :

Mark	Symbol and Description	Part No.		Remarks
		XWZ3451	XWZ3452	
	IC5802 C5805 C5806 C5807, C5812, C5813 C5808, C5814 C5809 C5810 C5811 R5814 R5866 R5867, R5872, R5874 R5868, R5885 R5869 R5870 R5871 R5873 VR5801 CN5807 5P FFC CONNECTOR CN5807 8P FFC CONNECTOR JA5801 MINI JACK	Not used Not used Not used Not used Not used Not used Not used Not used Not used Not used Not used Not used Not used Not used Not used Not used 52044-0545 Not used Not used	BA4558F-HT CKSRYB681K50 CEAL1R0M50 CEAL100M16 CCSRCH101J50 CKSRYB471K50 CKSRYB104K25 CKSRYB473K25 RS1/16S101J RS1/16S222J RS1/16S104J RS1/16S223J RS1/16S224J RS1/16S681J RS1/16S102J RS1/16S0R0J XCS3005 Not used 52044-0845 XKN3008	

G F FRONT AMP ASSY

XWZ3441 and XWZ3439 are constructed the same except for the following :

Mark	Symbol and Description	Part No.		Remarks
		XWZ3439	XWZ3441	
	C3773	Not used	CEAT101M35	

I F MAIN ASSY

XWX3043 and XWX3031 are constructed the same except for the following :

Mark	Symbol and Description	Part No.		Remarks
		XWX3031	XWX3043	
	IC3002, IC3181 IC3151, IC3152, IC3161, IC3171 IC5701 C3011, C3014 C3185	Not used NJM4558MD BU1923F Not used Not used	BA4558F-HT BA4558F-HT Not used CEAT100M50 CEJQ100M35	
	C3186, C3187 C3913, C3914 C5701 C5702 C5704	Not used CKSRYB103K50 CKSRYB271K50 CEAT100M50 CKSRYB103K50	CKSRYB473K25 CKSRYB102K50 Not used Not used Not used	
	C5705, C5706 C5707 C5708 C5830 C5831	CCSRCH270J50 CKSRYB561K50 CKSRYB104K25 Not used Not used	Not used Not used Not used CEAT101M10 CEAT101M25	
	R3181 R3182 R3183, R3184, R3254, R3258, R3263, R3264, R5703 R3186, R5705 R3189, R3190	Not used Not used Not used RS1/16S0R0J Not used	RD1/4PU332J RS1/16S332J RS1/16S103J Not used RS1/16S682J	
	R3255, R3257, R3259, R3261, R5702 R3256, R3260 R5558 R5559 R5701	Not used Not used RS1/16S153J RS1/16S562J RD1/4PU101J	RS1/16S473J RS1/16S182J RS1/16S123J RS1/16S153J Not used	
	R5830 R5831 CN5501 5P FFC CONNECTOR CN5502 8P FFC CONNECTOR KN5701 EARTH METAL FITTING	Not used Not used 52045-0545 Not used VNF1084	RS1/16S224J RS1/16S101J Not used 52045-0845 Not used	
	X5701 CRYSTAL RESONATOR (4.332MHz)	ASS7004	Not used	

H F REAR AMP ASSY

Although XWZ3445 and XWZ3443 are different in part number, they consist of the same components.

M F DSP ASSY

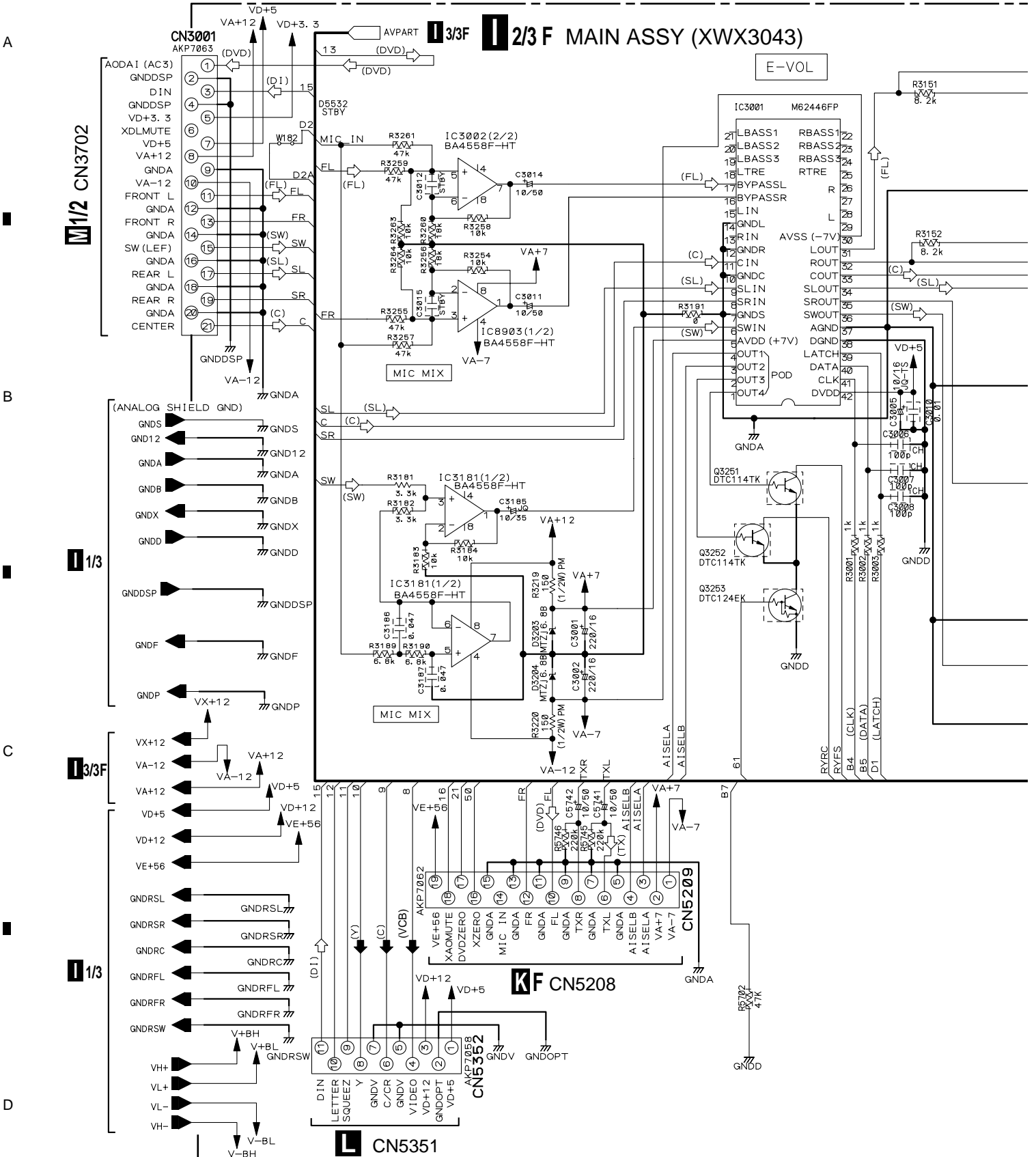
Although XWX3041 and XWX3040 are different in part number, they consist of the same components.

T F PRIMARY ASSY

Although XWZ3437 and XWZ3433 are different in part number, they consist of the same components.

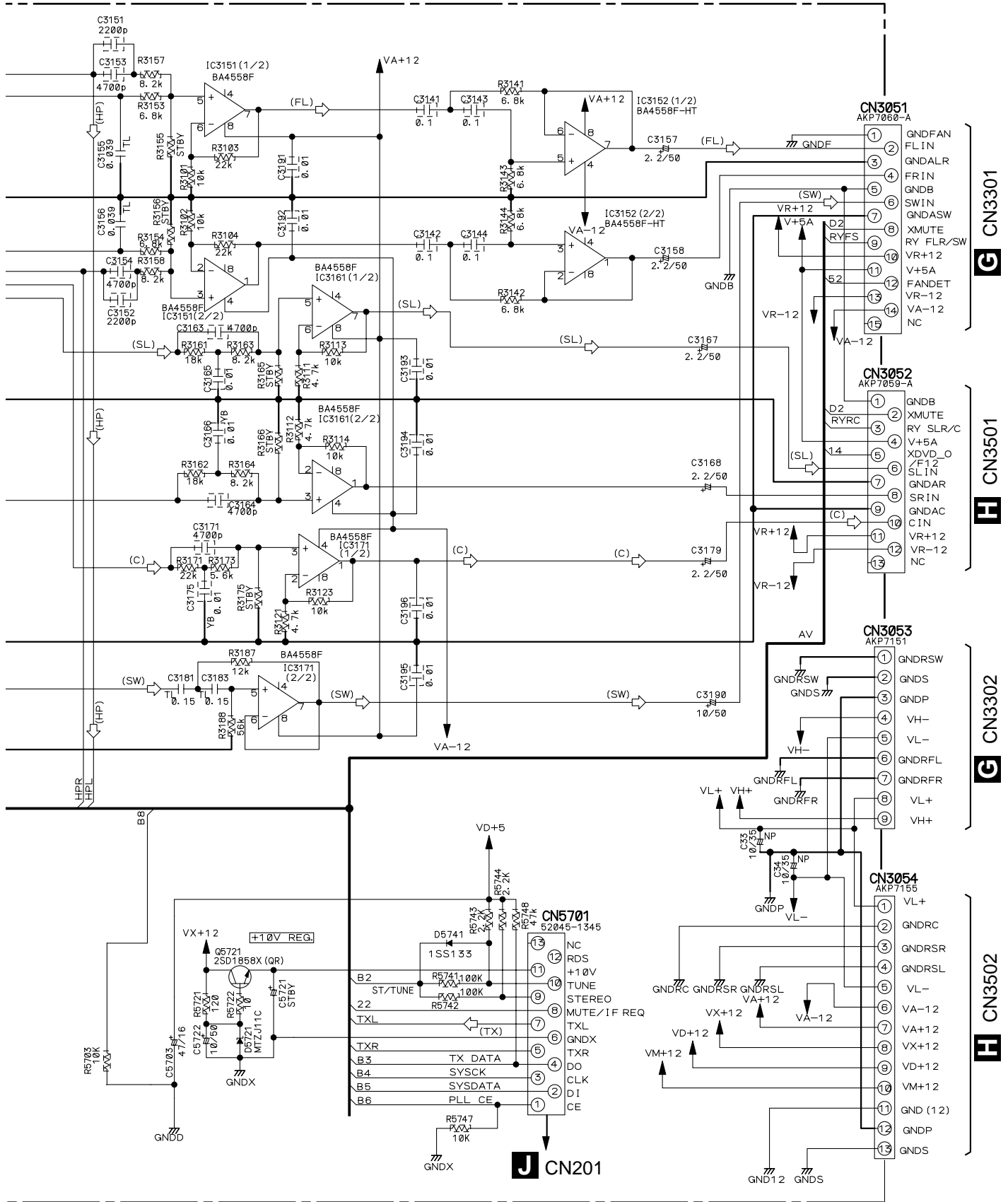
3. SCHEMATIC DIAGRAM

3.1 MAIN ASSY (2/3)



[NOTES] ALL CAPACITORS ARE IN μ F UNLESS OTHERWISE SPECIFIED
 TL : CFTLA
 CH : CCSQCH
 YF : CKSQVF
 (OTHER : CKSQVB or CKSRVF)
 CEAT***M###
 ALL RESISTORS ARE IN Ω
 1/10W or 1/16W
 1/4WPU

Note : When ordering service parts, be sure to refer to "EXPLODED VIEWS and PARTS LIST" or "PCB PARTS LIST"



- (VBCB) : VCB SIGNAL ROUTE
- (Y) : Y SIGNAL ROUTE
- (C) : C SIGNAL ROUTE
- (DVD) : DVD AUDIO SIGNAL ROUTE
- (DI) : DI AUDIO SIGNAL ROUTE
- (FL) : FL AUDIO SIGNAL ROUTE
- (HP) : HP AUDIO SIGNAL ROUTE
- (SL) : SL AUDIO SIGNAL ROUTE
- (C) : C AUDIO SIGNAL ROUTE
- (SW) : SW AUDIO SIGNAL ROUTE
- (TX) : TX AUDIO SIGNAL ROUTE

3.2 MAIN ASSY (3/3)

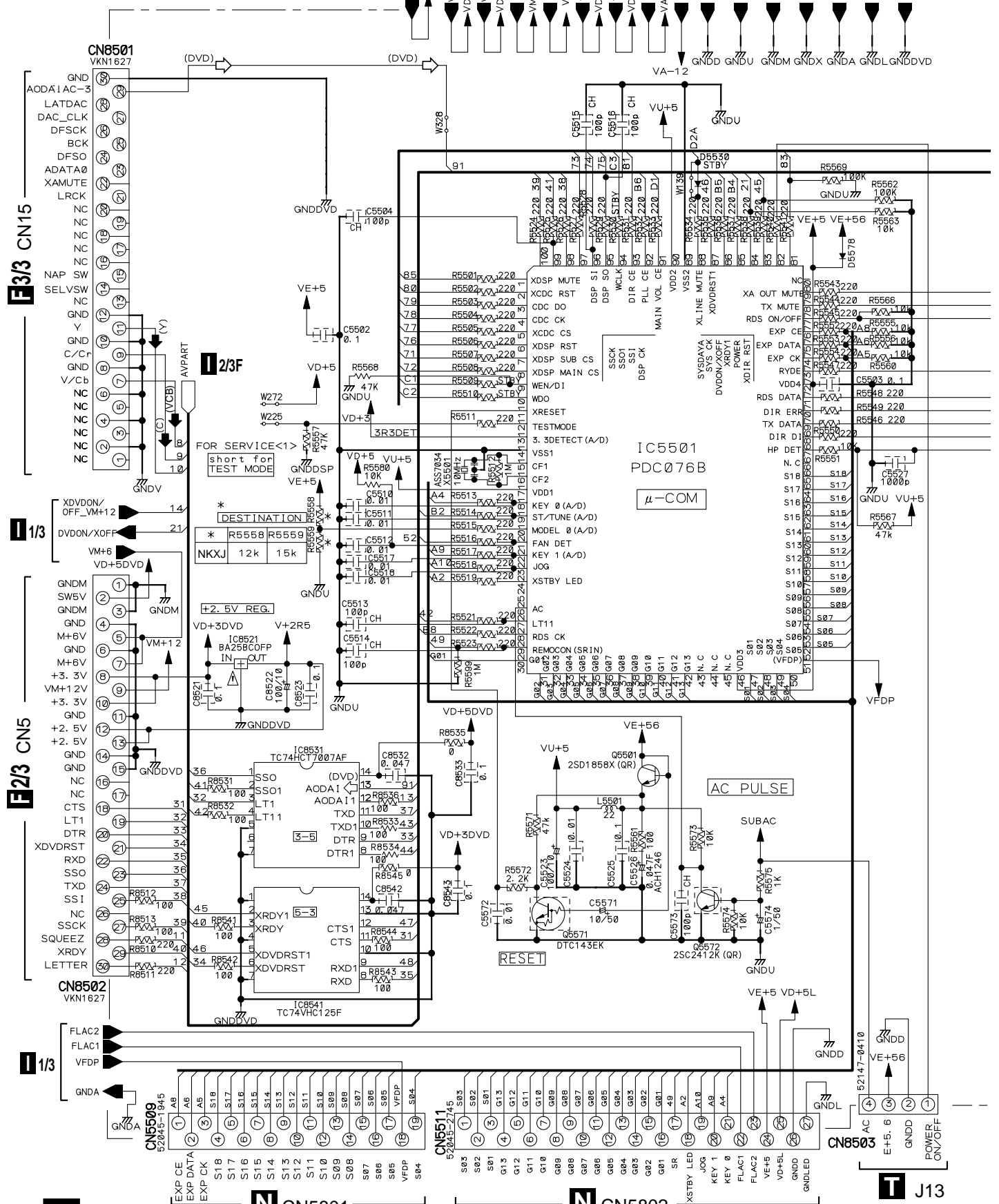
3/3 F MAIN ASSY (XWX3043)

A

B

C

D

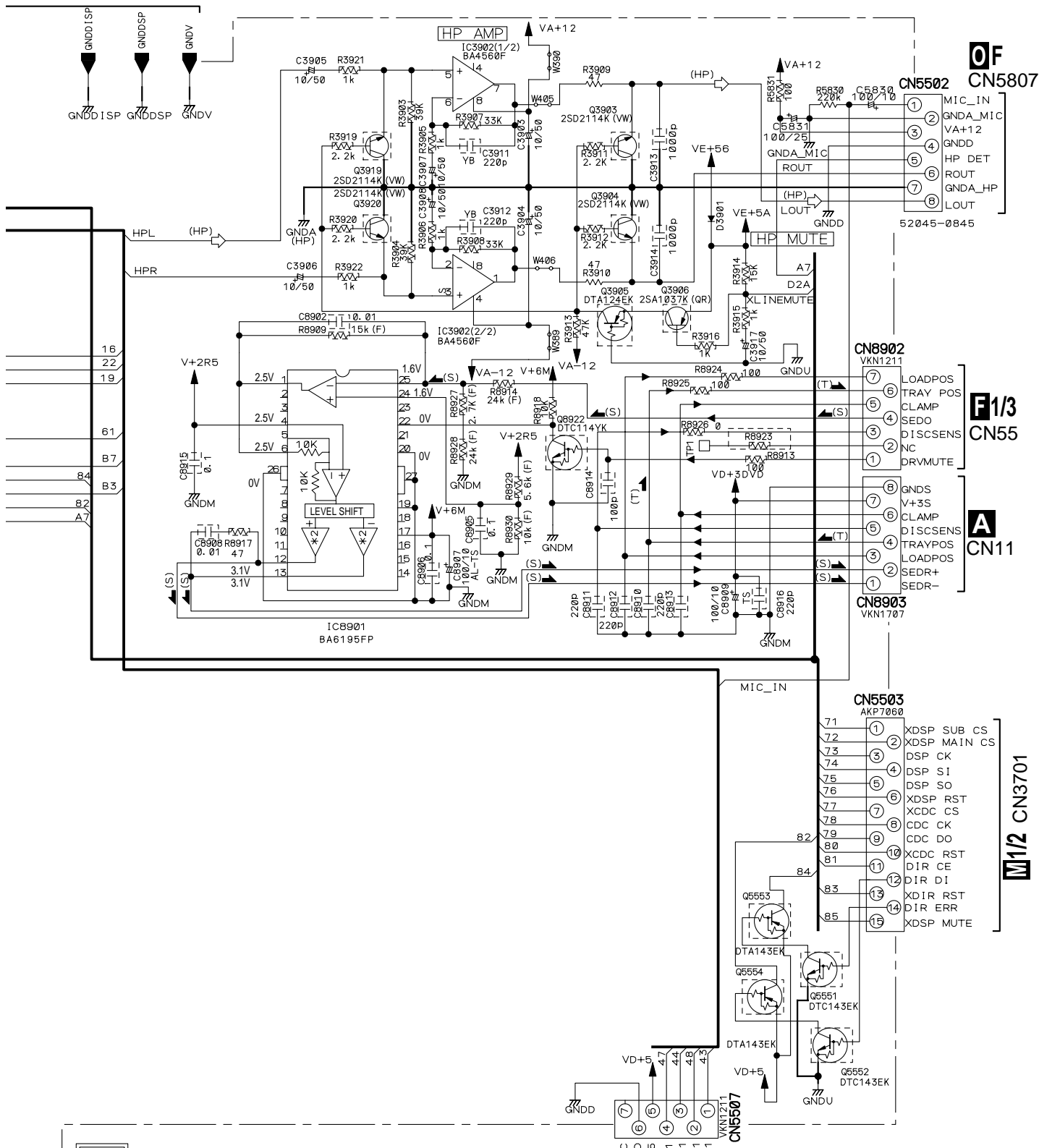


3/3 F

CN5801

CN5802

J13



NOTES

ALL CAPACITORS ARE IN μ F UNLESS OTHERWISE SPECIFIED
 CH : CCSRCH
 SL : CCSRSL
 (OTHER : CKSRYB)
 AL : CEAL
 (OTHER : CEAT***M##)
 ALL RESISTORS ARE IN Ω
 1/16W 1/4WPU

ALL INDUCTORS ARE IN μ H
 LAU
 NO MARK DIODE
 1SS355 1SS133

(VCB) : VCB SIGNAL ROUTE
 (Y) : Y SIGNAL ROUTE
 (C) : C SIGNAL ROUTE

(DVD) : DVD AUDIO SIGNAL ROUTE
 (HP) : HP AUDIO SIGNAL ROUTE
 (T) : TRAY POSITION SERVO LOOP LINE
 (S) : SEDO SERVO LOOP LINE

FOR DOWNLOAD

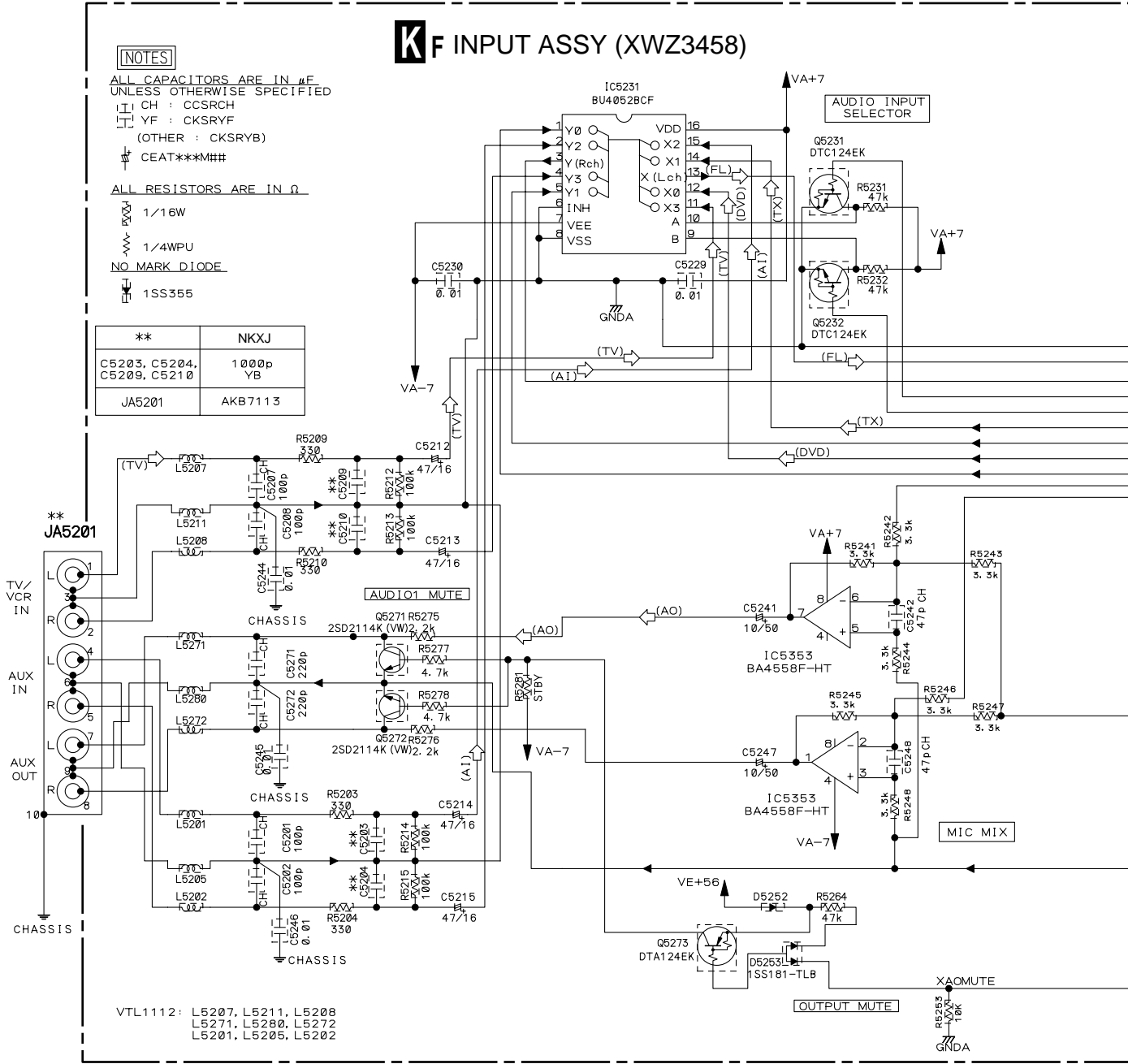
3.3 INPUT ASSY

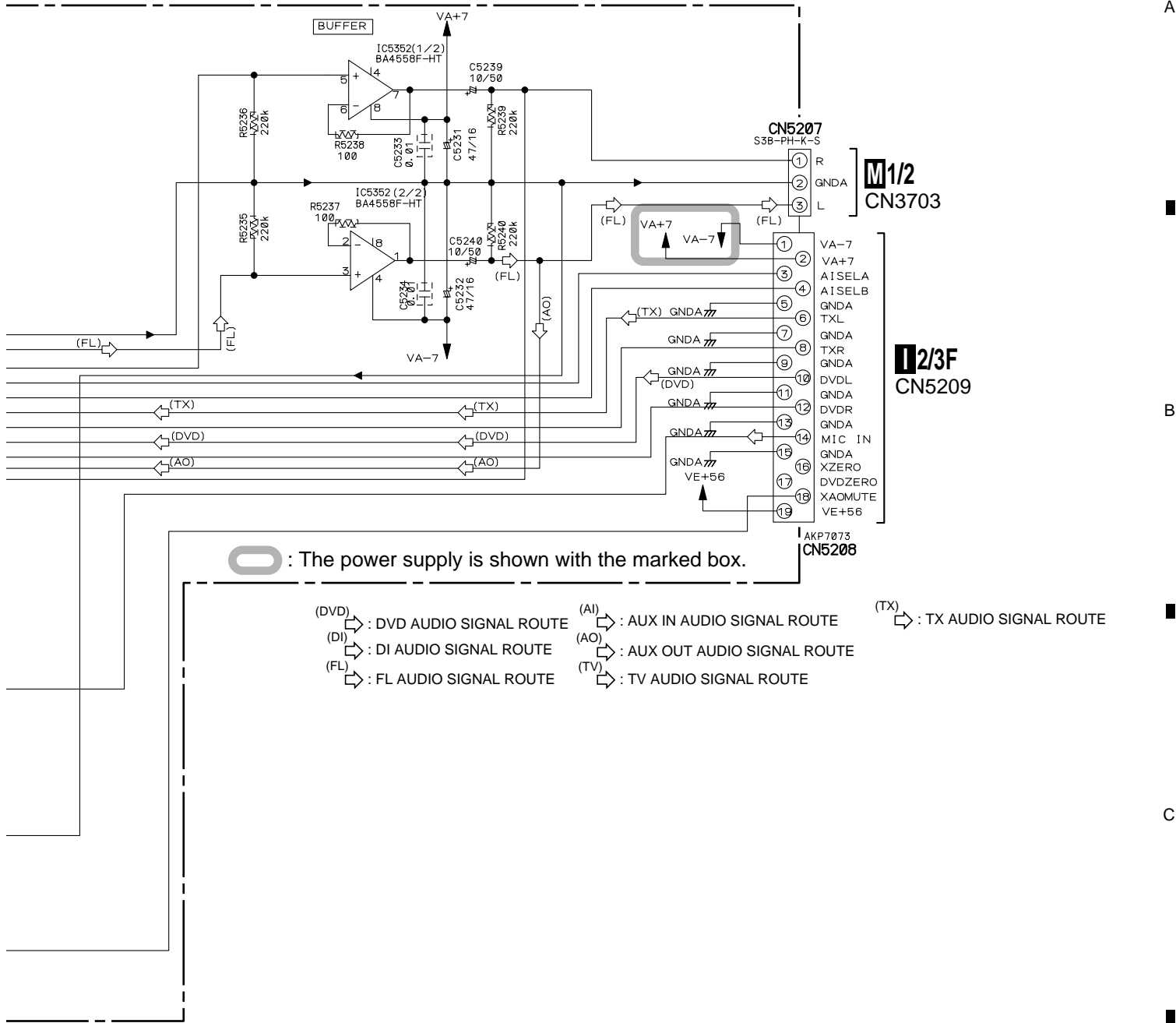
A


B

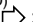
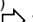

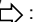
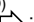


C

D



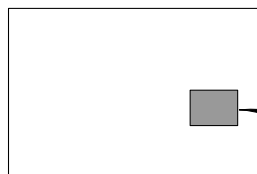


 : The power supply is shown with the marked box.

- (DVD)  : DVD AUDIO SIGNAL ROUTE
- (DI)  : DI AUDIO SIGNAL ROUTE
- (FL)  : FL AUDIO SIGNAL ROUTE
- (AI)  : AUX IN AUDIO SIGNAL ROUTE
- (AO)  : AUX OUT AUDIO SIGNAL ROUTE
- (TV)  : TV AUDIO SIGNAL ROUTE
- (TX)  : TX AUDIO SIGNAL ROUTE

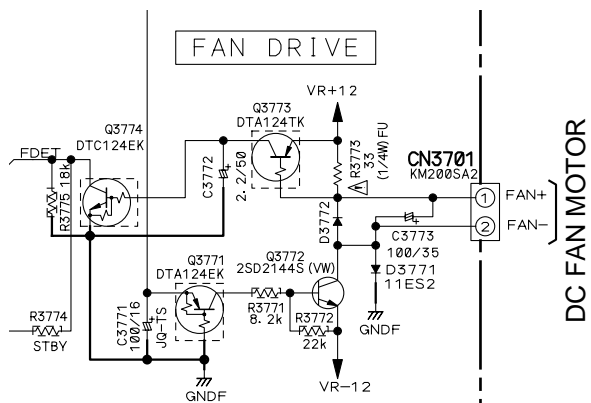
3.4 FRONT AMP and MIC HP ASSYS

A



GF
FRONT AMP ASSY
(XWZ3441)

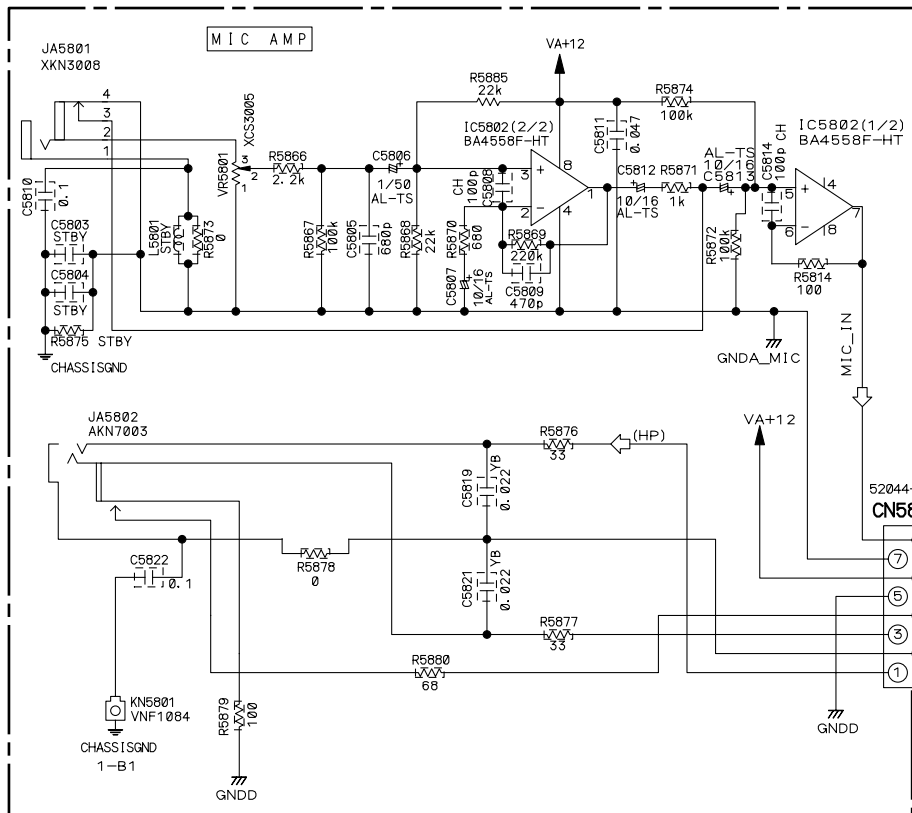
B



DC FAN MOTOR

C

OF MIC HP ASSY (XWZ3452)



3/3F
CN5502