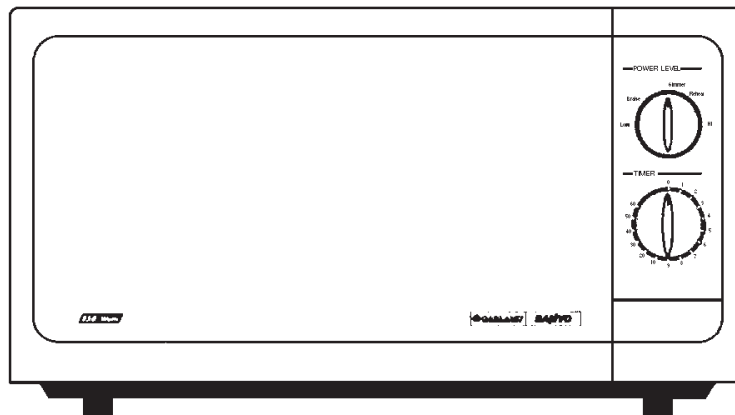




SERVICE MANUAL SUPPLEMENT
for Model EM-S85M
Microwave Oven



SANYO

CAUTION
WARNING TO SERVICE TECHNICIANS
PRECAUTIONS TO BE OBSERVED BEFORE AND DURING
SERVICING TO AVOID POSSIBLE EXPOSURE TO
EXCESSIVE MICROWAVE ENERGY

- (a) Do not operate or allow the oven to be operated with the door open.
- (b) Make the following safety checks on all ovens to be serviced before activating the magnetron or other microwave source, and make repairs as necessary:
 - (1) Interlock operation, (2) proper door closing, (3) seal and sealing surfaces (arcing, wear, and other damage), (4) damage to or loosening of hinges and latches, (5) evidence of dropping or abuse.
- (c) Before turning on microwave power for any service test or inspection within the microwave generating compartments, check the magnetron, wave guide or transmission line, and cavity for proper alignment, integrity, and connections.
- (d) Any defective or misadjusted components in the interlock, monitor, door seal, and microwave generation and transmission systems shall be repaired, replaced, or adjusted by procedures described in this manual before the oven is released to the owner.
- (e)(i) A microwave leakage check to verify compliance with the Federal performance standard should be performed on each oven prior to release to the owner. (For U.S.A)
- (e)(ii) A microwave leakage check to verify compliance with the Canadian Regulation, HEALTH AND WELFARE, SOR/79-920 should be performed on each oven prior to release to the owner. (For CANADA)

CAUTION

For microwave energy emission

On every service calls, check for microwave energy emission, must be made according to the following manner.

Measurement of energy emission

Measurement must be made with the microwave oven operating at its maximum output and containing a load of 275 ± 15 milliliters of tap water initially at $20^\circ \pm 5^\circ$ celsius ($68 \pm 9^\circ$ F) placed within the cavity at the center.

NOTE: The water container must be a 600 milliliter beaker and made of an electrically none conductive material such as glass or plastic.
The cook tray must be in place when measuring emission.

A properly operating door and seal assembly will normally register emission no greater than 4 mW/cm^2 to allow for measurement uncertainty with the cooking shelf or tray in place.

All repairs must be performed in such a manner that microwave energy emission are minimal.

Follow the instructions supplied with a detector being used and performed an R.F. emission test around the door front and edges and all edges and vent of the outer case. The cabinet (wrapper) must be in place and the oven fully assembled.

When performing emission survey, with the meter on FAST RESPONSE the movement of a detector probe shall not exceed one (1) inch per second.

In the area emitting the highest reading, switch the meter to SLOW RESPONSE, and take a reading for minimum of three (3) seconds. We recommended the pattern outline shown below when the door surface is surveyed.

NOTE: Periodically check to be sure that the probe tip is not worn or dirty.

The following U.S. standard applies to microwave ovens:
21 CFR 1030.10, Performance Standard for Microwave Ovens.

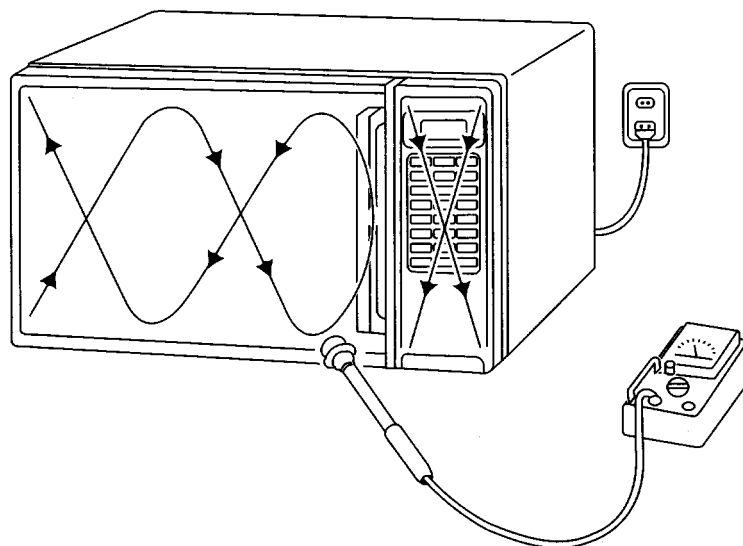
It requires that the power density of the microwave radiation emitted by a microwave oven shall not exceed five (5) milliwatts per square centimeter at any point 5 centimeter (about 2 inches) or more from the external surface of the oven.

All microwave ovens exceeding the emission level of 4 mW/cm^2 must be reported to Dept. of Service for microwave ovens and the manufacturer immediately and the owner should be told not to use the microwave oven until it has been repaired completely.

If a microwave oven is found to operate with the door open, report to Dept. of Service, the manufacturer and CDRH* immediately. Also tell the owner not to use the oven.

*CDRH: Center for Device and Radiological Health.

The interlock monitor switch acts as the final safety switch protecting the customer from microwave radiation. If the interlock monitor switch operates properly and the door interlocks switch fails, the fuse will blow. If this happens, all interlock switches must be replaced. The contacts of the interlock switches may be welded together.



— TABLE OF CONTENTS —

Adjustment Procedures	1	Circuit Diagram	3
Specifications	2	Test Procedures and Troubleshooting	4 ~ 7
Power Output Measurement	2	Disassembly Instructions	8 ~ 10
Precautions and Repair Service Tips	2	Exploded View and Parts List	11 ~ 14

1. ADJUSTMENT PROCEDURES

TO AVOID POSSIBLE EXPOSURE TO MICROWAVE ENERGY LEAKAGE, THE FOLLOWING ADJUSTMENT OF THE INTERLOCK SWITCHES SHOULD BE MADE ONLY BY AUTHORIZED SERVICE PERSONNEL.

The service center should have the designated detector to measure the microwave energy leakage after the repair or adjustment.

NOTE: Detector to be used at the service center is NARDA 8100, 8200 or the equivalent.

PRIMARY INTERLOCK SWITCH, INTERLOCK MONITOR SWITCH AND DOOR SENSING SWITCH ADJUSTMENT

(Figure 1)

- (1) Loosen 2 screws securing the lever stopper.
- (2) Adjust the lever stopper position so that it is pushed forward and pull backward until there is about zero gap between the latch lever and the switch body on the primary interlock switch and at the same time there is about zero gap between the door latch and the switch body on the door sensing switch when the door latch is securely locked.
- (3) Tighten the lever stopper screws securely.
- (4) Make sure the interlock monitor switch closes after the primary interlock switch opens when the door is opened very slowly, according to "CHECKOUT PROCEDURE FOR SWITCHES" on page 6.
- (5) Make sure the interlock monitor switch opens before the primary interlock switch closes when the door is closed very slowly, according to "CHECKOUT PROCEDURE FOR SWITCHES" on page 6.
- (6)(i) Make sure the microwave energy leakage is below the limit of the regulation ($5\text{mW}/\text{cm}^2$) when measured with a detector. (All service adjustments must be made for minimum microwave energy leakage readings.) For U.S.A.
- (6)(ii) Make sure the microwave energy leakage is below the limit of $1\text{mW}/\text{cm}^2$ (at 275cc water load), $5\text{mW}/\text{cm}^2$ (at no load) and $5\text{mW}/\text{cm}^2$ (at 275cc water load without cabinet) when measured with a detector. (All service adjustments must be made for minimum microwave energy leakage readings.) For Canada.

NOTE: If the interlock monitor circuit operates and at the same time the fuse blows with the door opened, be sure to replace the control circuit board because relay 2 on the control circuit board, the door sensing switch and the electric circuit related on the door sensing switch, which act as Secondary Interlock Switch.

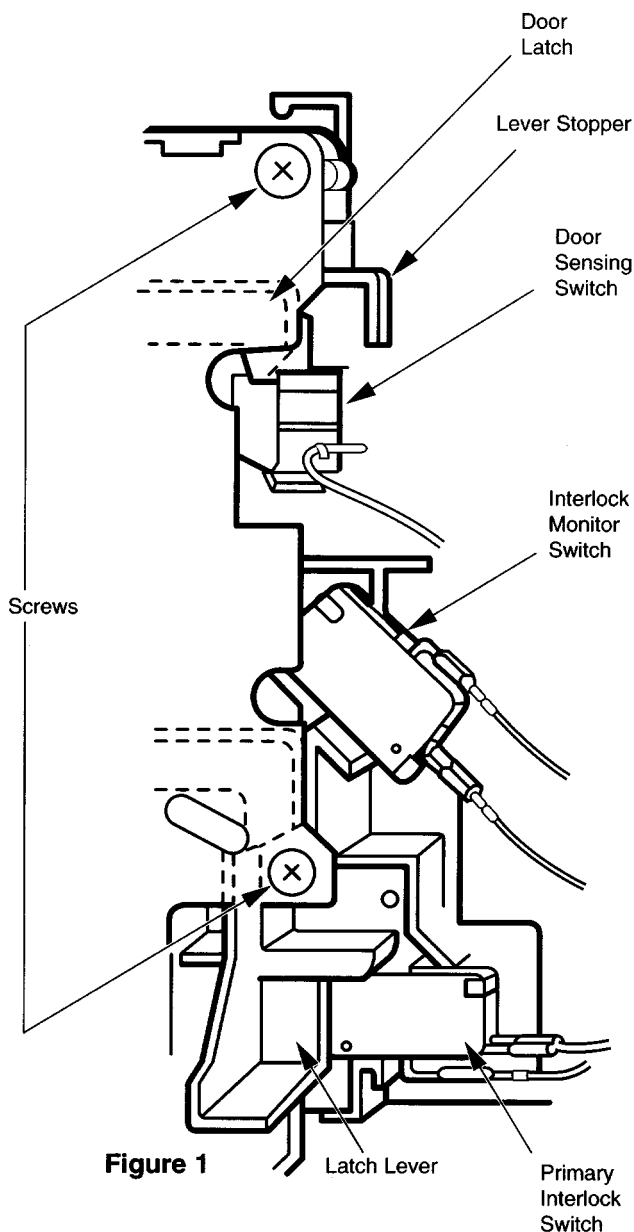


Figure 1

2. SPECIFICATIONS

Rated Power Consumption . . .	1260W.
Microwave Output	850W.
Frequency	2,450MHz±50MHz.
Power Supply	120V, 60Hz.
Rated Current	11.1 Amp.
Safety Devices	Thermal Fuse open at 167°C for Cavity Thermal Protector open at 122°C for Magnetron Fuse (Cartridge Type 15A) Primary Interlock Switch Secondary Interlock Switch Interlock Monitor Switch.
Timer	60 min.
Overall Dimensions	525(W) x 427(D) x 283(H) mm.
Oven Cavity Size	350(W) x 371(D) x 208(H) mm.
Turn Table Diameter	340mm.
Effective Capacity of Oven Cavity	25 liters.
Net Weight	Approx. 16kg.

3. POWER OUTPUT MEASUREMENT

NOTE

The power output specification, 850 W on this model is measured with IEC measurement. The power output is measured with two (2) liters water is equivalent to 850 W in measurement with IEC, when measured with the following power output.

- (A) 1.Fill two beakers with one liter of tap water respectively
2.Use accurate thermometer and measure each water temperature respectively.
- (B) Place beakers side by side in the centre of the glass tray.
- (C) 1.Set the timer at any position more than 2 minutes.
2.Heat the water correctly for 2 minutes.
- (D) Take the beakers out, immediately stir the water and measure the water temperature respectively.
- (E) 1.Calculate the temperature rise of water in each beaker.
2.Then calculate the average value of two temperature rises.
3.Output power can be calculated by the equation;
$$\text{Power Output (W)} = 70 \times Dt$$
Where Dt is an average temperature rise in degrees Centigrade.
- (F) Power Output shall be in the following range :

	AverageTemperature Rise	Power Output
Minimum	9.9°C	693W
Maximum	12.7°C	889W
- (G) Power Output is affected by the line voltage under load. For correct Power Output measurement, the line voltage under load must be 120± 2volts.

4. PRECAUTIONS AND REPAIR SERVICE TIPS PRELIMINARY

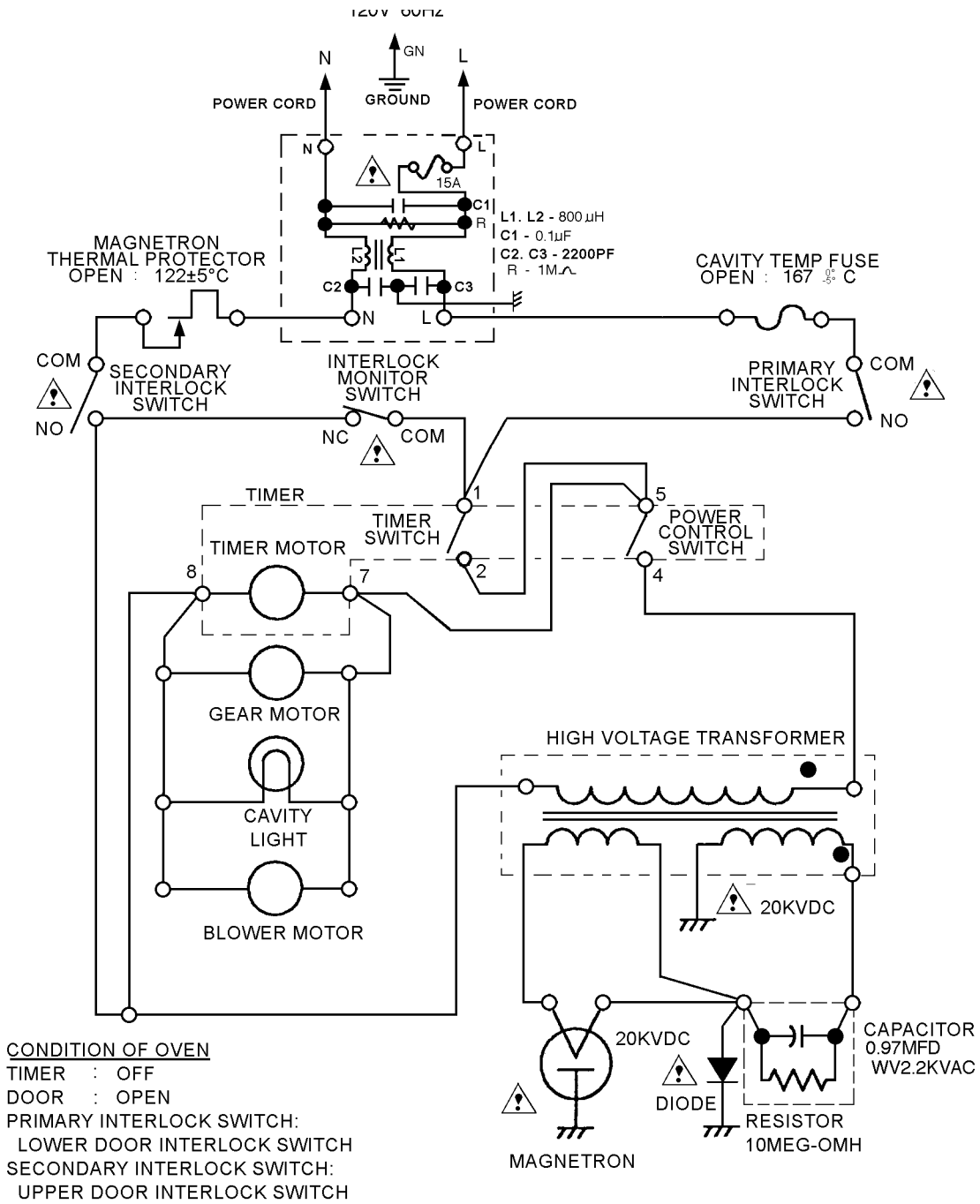
A. SINCE NEARLY 2,000 VOLTS EXISTS IN SOME CIRCUITS OF THIS MICROWAVE OVEN, REPAIRS SHOULD BE CARRIED OUT WITH GREAT CARE.

B. TO AVOID POSSIBLE EXPOSURE TO MICROWAVE ENERGY LEAKAGE, THE FOLLOWING PRECAUTIONS MUST BE TAKEN BEFORE SERVICING.

- (1) Before the power is applied :
 - (a) Open and close door several times to make sure the primary interlock switch, the interlock monitor switch and the door sensing switch operate properly. (Listen for the clicking sound from the switches.) Make sure the interlock monitor switch closes after the primary interlock switch is opens when the door is opened.
(See pages 1 and 6)
 - (b) Make sure the perforated screen and the choke dielectric of the door are correctly mounted.
- (2) After the power is applied :
 - (a) Open and close the door to see if the interlock mechanism operates properly.
 - (b) Check microwave energy leakage with a leakage detector and confirm the energy leakage is below 5 mW/cm².
- (3) Do not operate the unit until it is completely repaired, if any of the following conditions exists:
 - (a) Door does not close firmly against the cavity front.
 - (b) The hinge is broken.
 - (c) The choke dielectric or the door seal is damaged.
 - (d) The door is bent or warped, or there is any other visible damage to the oven that may cause microwave energy leakage.
NOTE : Always keep the seal clean.
 - (e) Make sure there are no defective parts in the microwave generating and transmission assembly. (especially waveguide).
- (4) The following items should be checked after the unit is repaired :
 - (a) The interlock monitor switch is connected correctly and firmly.
 - (b) The magnetron gasket on the magnetron is properly positioned.
 - (c) Waveguide and oven cavity are intact (no leakage of microwave energy).
 - (d) The door can be properly closed and the safety switches work properly.
 - (e) The oven must be stopped when the door is opened or the time is up.

The oven must not be operated with any of the above components removed or bypassed.

5. CIRCUIT DIAGRAM



NOTE: All component have special characteristics for safety and must be replaced using parts listed in this manual. All service on MW ovens should be performed by a qualified technician using approved testing equipment. Customers should not attempt replace component marked with a ⚠ symbol.

6. TEST PROCEDURES AND TROUBLESHOOTING

CAUTION
 -DISCONNECT THE POWER SUPPLY CORD FROM THE WALL OUTLET WHENEVER REMOVING THE CABINET FROM THE UNIT. PROCEED WITH THE TESTS ONLY AFTER DISCHARGING THE HIGH VOLTAGE CAPACITOR AND REMOVING THE LEAD WIRES FROM THE PRIMARY WINDING OF THE HIGH VOLTAGE TRANSFORMER. (SEE FIGURE 3)

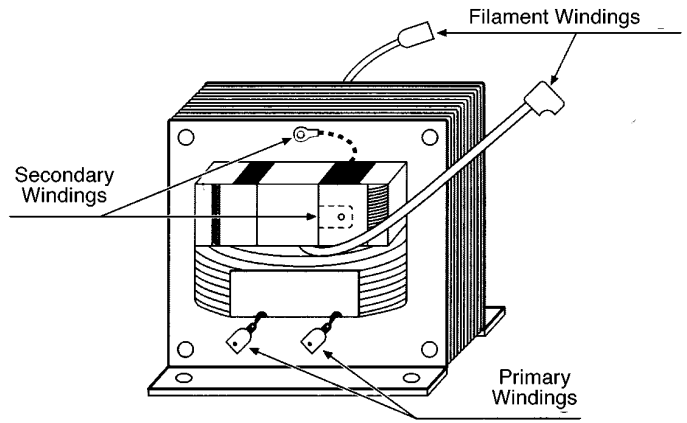
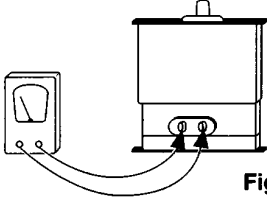
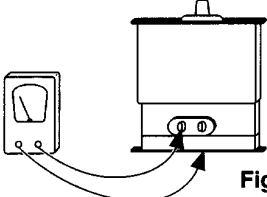
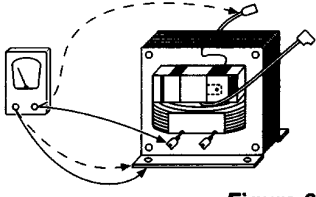
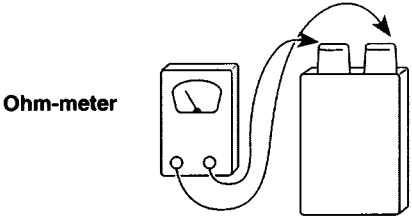
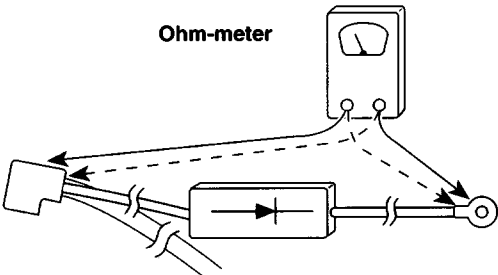


Figure 3






A. TEST PROCEDURES

COMPONENT	CHECKOUT PROCEDURE	RESULT
MAGNETRON	<p>1) Check for resistance: Across the filament terminals of the magnetron with an ohm-meter on R x 1 scale.</p>  <p>Figure 4</p> <p>2) Check for resistance: Between each filament terminal of the magnetron and the chassis ground with an ohmmeter on highest scale.</p>  <p>Figure 5</p>	<p>Normal reading: Less than 1 ohm.</p> <p>Normal reading: Infinite ohms.</p>
HIGH-VOLTAGE TRANSFORMER	<p>1) Measure the resistance: With an ohm-meter on R x 1 scale.</p> <ul style="list-style-type: none"> a. Primary winding; b. Filament winding; c. Secondary winding; <p>2) Measure the resistance: With an ohm-meter on highest scale.</p> <ul style="list-style-type: none"> a. Primary winding to ground. b. Filament winding to ground;  <p>Figure 6</p> <p>Note: Remove varnish of measured point</p>	<p>Normal readings:</p> <ul style="list-style-type: none"> Approximately 0.45 ohms. Less than 1 ohm. Approximately 83.1 ohms. <p>Normal readings:</p> <ul style="list-style-type: none"> Infinite ohms Infinite ohms.

COMPONENT	CHECKOUT PROCEDURE	RESULT
<p>HIGH-VOLTAGE CAPACITOR including BLEEDER RESISTOR</p>	<p>Measure the resistance: Across two terminals with an ohm-meter on highest scale.</p>  <p style="text-align: center;">Ohm-meter</p> <p style="text-align: center;">Figure 7</p>	<p>Normal reading: Momentarily indicates several ohms, and gradually returns to 10 meg-ohms.</p> <p>Abnormal reading: Indicates continuity or 10 meg-ohms from the beginning.</p>
<p>HIGH-VOLTAGE DIODE</p>	<p>Measure the resistance: Across two terminals with an ohm-meter on R x 10,000 scale.</p>  <p style="text-align: center;">Ohm-meter</p> <p style="text-align: center;">Figure 8</p>	<p>Normal reading: Indicates about the middle position in one direction (forward direction) and infinite ohms in the reverse direction, using meter which is provided with a 9 volt battery.</p> <p style="text-align: center;">NOTE</p> <p>– Some digital meter may show over even in a forward direction because low measuring voltage of meter does not allow the meter current to pass through the high voltage diode.</p> <p>Abnormal reading: Indicates continuity or infinite ohms in both directions.</p>

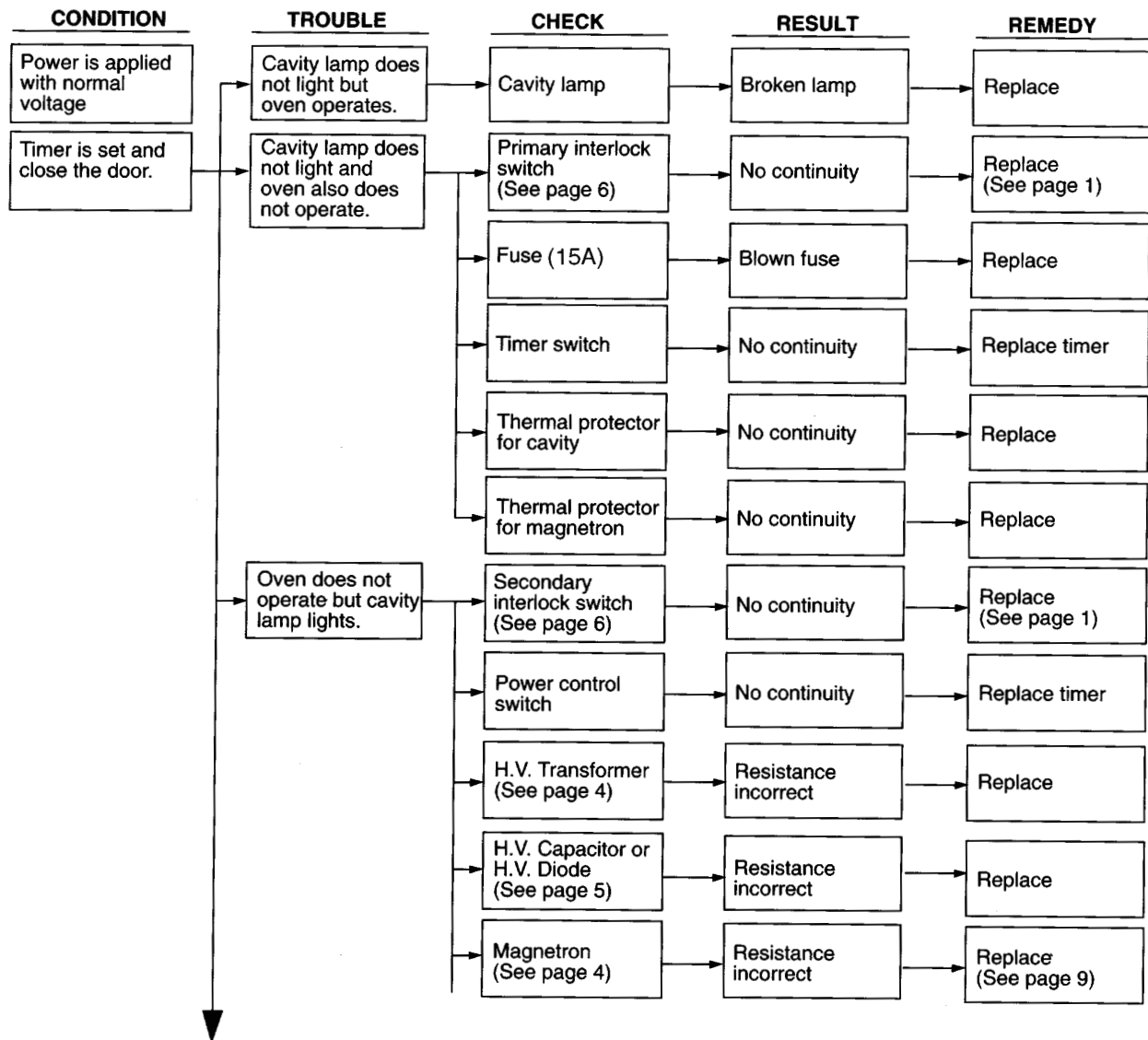
CHECKOUT PROCEDURE FOR SWITCHES

Disconnect the lead wires from the switches and check for the continuity of the switches, connecting an ohm-meter to its terminals.

SWITCH	CHECKOUT PROCEDURES	DOOR OPEN	DOOR CLOSE
Primary Interlock	Connect an ohm-meter leads to terminals "COM" and "NO" of switch.		
Secondary Interlock			
Interlock Monitor	Connect an ohm-meter leads to terminals "COM" and "NC" of switch.		

CAUTION: After checking the switches, make sure that the interlock monitor switch is properly connected according to the CIRCUIT DIAGRAM on page 3.

B. TROUBLE SHOOTING



CONDITION	TROUBLE	CHECK	RESULT	REMEDY
Fuse (15A) blows off immediately. (See page 9)	Timer motor	Shorted	Replace Timer	
	Blower motor	Shorted	Replace	
	Secondary circuit (High Voltage)	Shorted	Replace	
	Gear motor	Shorted	Replace	
Oven operates for a few minutes and stops	Blower motor	No operation	Replace	
Oven operates and does not stop	Timer motor	No continuity of coil	Replace timer	
Output power is low when 850W is selected.	Magnetron (See page 4)	Poor oscillation	Replace (See page 9)	
	H.V. Capacitor (See page 5)	Poor function	Replace	
Output power is high level when low is selected.	Power control switch	Contact on	Replace timer	
Uneven heating	Gear motor	No operation	Replace	

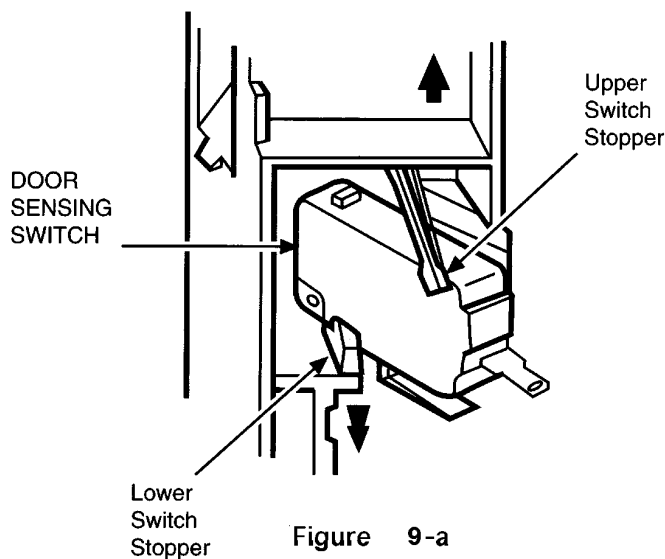
7. DISASSEMBLY INSTRUCTIONS

- OVEN MUST BE DISCONNECTED FROM ELECTRICAL OUTLET WHEN MAKING REPLACEMENTS, REPAIRS, ADJUSTMENTS AND CONTINUITY CHECKS BEFORE PROCEEDING WITH ANY REPAIR WORK AFTER DISCONNECTING. WAIT AT LEAST 1 MINUTE, UNTIL THE CAPACITOR IN THE HIGH-VOLTAGE AREA HAS FULLY DISCHARGED.
- WHEN REPLACING ANY DOOR MICROSWITCH, REPLACE WITH THE SAME TYPE SWITCH SPECIFIED ON THE PARTS LIST.

A. REMOVING DOOR SENSING SWITCH

(Figures 1 on page 1, 9-a)

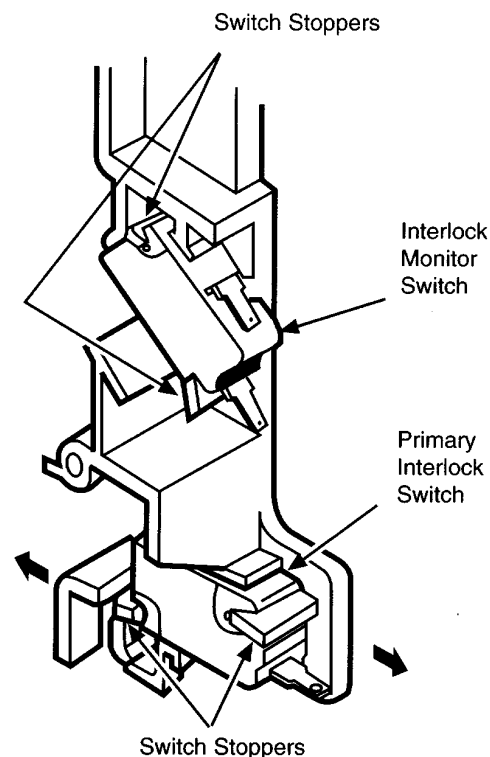
- (1) Disconnect all wire leads from the door sensing switch. (Figure 1 on page 1)
- (2) Remove 2 screws securing the lever stopper.
- (3) Push the door sensing switch upward while pressing adjacent upper switch stopper of lever stopper and lower switch stopper down (Figure 9-a)
- (4) Then remove it by lightly pressing the switch toward you. (Figure 9-a)
- (5) Make necessary adjustments or replacements of the door sensing switch by reversing step (3) and check microwave energy leakage according to "1. ADJUSTMENT PROCEDURES" on page 1, after it is replaced with new one, and check proper operation of it according to "CHECKOUT PROCEDURE FOR SWITCHES" on page 6.



B. REMOVING PRIMARY INTERLOCK SWITCH AND INTERLOCK MONITOR SWITCH

(Figure 9-b)

- (1) Disconnect all wire leads from primary interlock and interlock monitor switch,
- (2) Pull the primary interlock switch or interlock monitor switch upward at the same time while pushing the switch stoppers to allow a space between the switch body and catches.
- (3) Make necessary adjustments or replacement of switch by the reversing step (2) and check microwave energy leakage according to " 1. ADJUSTMENT PROCEDURES" on page 1, after it is replaced with new one, and check proper operation of it according to "CHECKOUT PROCEDURE FOR SWITCHES" on page 6.



Interlock Switch Replacement-when replacing faulty switches, be sure switch mounting tabs are not bent, broken or otherwise deficient in their ability to secure the switches in place.

C. REMOVING BLOWER MOTOR

(Figure 10 (Top View) and 11)

- (1) Remove screw securing the stay.
- (2) Disconnect all lead wires from the blower motor and H.V. capacitor.
- (3) Remove 2 screws securing the blower base and disengage 3 hooks from the rear plate of cavity (Figure 11)
- (4) Remove 1 screw securing the blower motor with the blower base.

D. REMOVING MAGNETRON

(Figure 10)(Top View)

After removing the blower motor:

- (1) Remove duct (mag. exhaust). Remove the screw securing the stay.
- (2) Remove 1 screw securing the thermal protector.
- (3) Disconnect 2 lead wires from the magnetron.
- (4) Remove 3 screws securing the magnetron to the waveguide.
- (5) Take out magnetron VERY CAREFULLY.

NOTES

1. When removing the magnetron from the cavity or wave guide, use a proper care so that the dome of the magnetron does not hit any adjacent parts of microwave oven.
2. Make sure that the contact face of the magnetron gasket is free from any damage or deformation.
3. Adjust the position of the magnetron properly, so that it correctly sits in place and the magnetron gasket is in contact with the mounting rim evenly.
4. While holding the magnetron under this condition, tighten mounting screws or nuts with your fingers temporarily.
5. Further tighten the screws or nuts with a box wrench, giving one or two turns to each of the screws (or nuts) alternatively so that the magnetron is mounted on to the bracket uniformly.
- 6(i). After replacing the magnetron, be sure to check the microwave energy leakage with a leakage detector and confirm the leakage is below 5mW/cm². For U.S.A.
- 6(ii). After replacing the magnetron, be sure to check the microwave energy leakage with a leakage detector and confirm the leakage is below 1mW/ cm² (at 275cc water load), 5mW/cm² (at no load) and 5mW/cm² (at 275cc water load without the cabinet) when measured with a detector. For CANADA.

E. REMOVING FUSE

Remove the 15A fuse with a screwdriver.

NOTES

- When replacing the 15A fuse, be sure to use an exact repair part
- If the 15A fuse blows immediately, check the primary interlock switch, the relay 2 (on the control circuit board) and the interlock monitor switch according to "CHECKOUT PROCEDURE FOR SWITCHES" on page 6. And make sure to check the microwave energy leakage

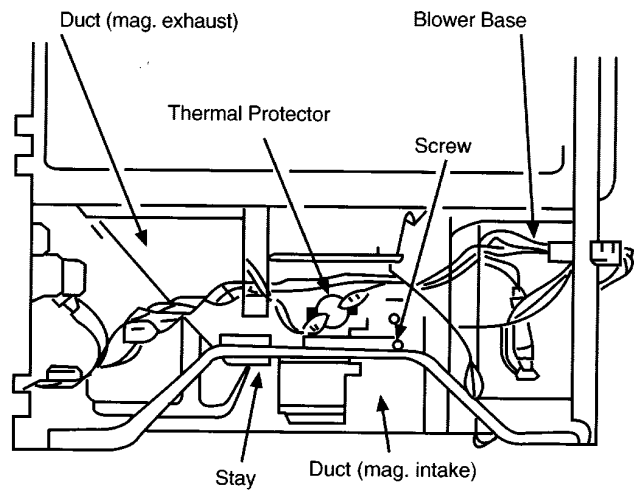


Figure 10 (Top View)

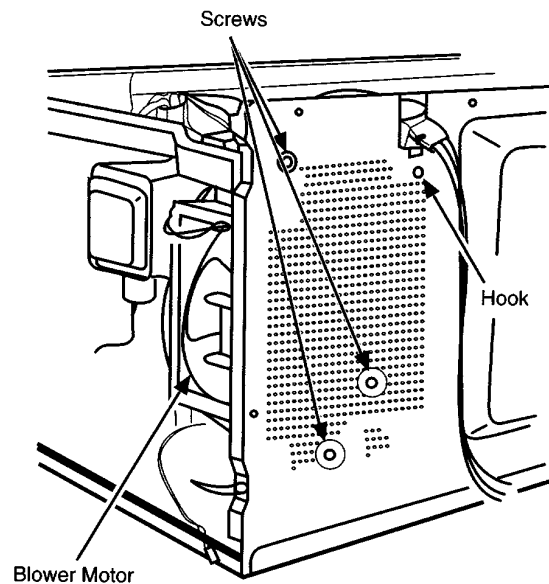


Figure 11

according to "1. ADJUSTMENT PROCEDURES" on page 1, when the primary interlock switch, the relay 2 or the interlock monitor switch is adjusted or replaced.

- If the primary interlock switch, the relay 2 and the interlock monitor switch operate properly, determine which of the followings is defective: control circuit board, blower motor, high voltage transformer, high voltage capacitor, high voltage diode or magnetron.
- If the high voltage diode is defective, replace not only the high voltage diode but also the fuse diode.

F. REMOVING DOOR

- (1) Remove 2 hex nuts securing the upper hinge.
- (2) Tilt the top of the door toward you.
- (3) Lift up the door to remove it.

NOTES

— After replacing the door, be sure to check that the primary interlock switch, the door sensing switch and the interlock monitor switch operate normally. (See page 1).

— After replacing the door, check for microwave energy leakage with a leakage detector. Microwave energy leakage must be below the limit of $5\text{mW}/\text{cm}^2$. For U.S.A.

— After replacing the door, check for microwave energy leakage with a leakage detector. Microwave energy leakage must be below $1\text{mW}/\text{cm}^2$ (at 275cc water load), $5\text{mW}/\text{cm}^2$ (at no load) and $5\text{mW}/\text{cm}^2$ (at 275cc water load without the cabinet) when measured with a detector. For CANADA.

G. DISASSEMBLING DOOR

(Figure 12)

- (1) Insert a thin flat-blade screwdriver between the choke dielectric and the door main frame and lift up the choke dielectric to release hooks one by one. (Figure 12)
- (2) Remove the choke dielectric.
- (3) To detach the door cover, Insert a thin flat-blade screwdriver between door cover and the door panel and release the projections inside door cover.
- (4) To detach the door panel, Insert a thin flat-blade screwdriver between the door cover and door main frame.

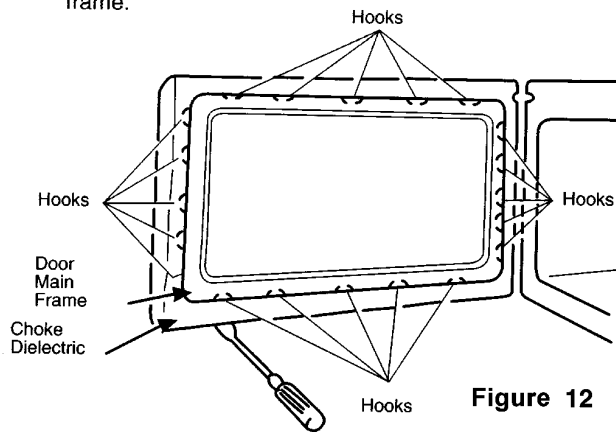


Figure 12

NOTES

— The choke dielectric may be damaged when it is removed. When reinstalling it replace it with new ones if it is damaged.

— After installing the door in place, check for microwave energy leakage with a detector. Microwave energy leakage must be below the limit of $5\text{mW}/\text{cm}^2$. For U.S.A.

— After installing the door in place, check for microwave energy leakage with a detector. Microwave energy leakage must be below the limit of $1\text{mW}/\text{cm}^2$ (at 275cc water load), $5\text{mW}/\text{cm}^2$ (at no load) and $5\text{mW}/\text{cm}^2$ (at 275cc water load without the cabinet) when measured with a detector. For CANADA.

H. REMOVING CAVITY COVER

(Figure 13)

- (1) Remove a screw from the cavity compartment.

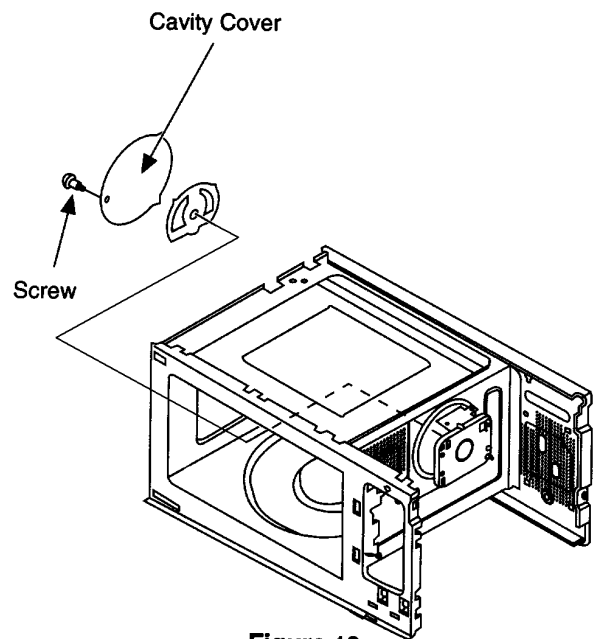


Figure 13

I. REMOVING TURNTABLE MOTOR COVER

(Figure 14)

- (1) Turn over the oven on its back.
- (2) Cut the 6-joints of the bottom plate using diagonal pliers (nipper).
- (3) Separate the motor cover from bottom plate.
- (4) Remove 2 screws securing turntable motor to the cavity and take it out.

Note: Bent the cut joints inside slightly for safety and be careful of sharp edge.

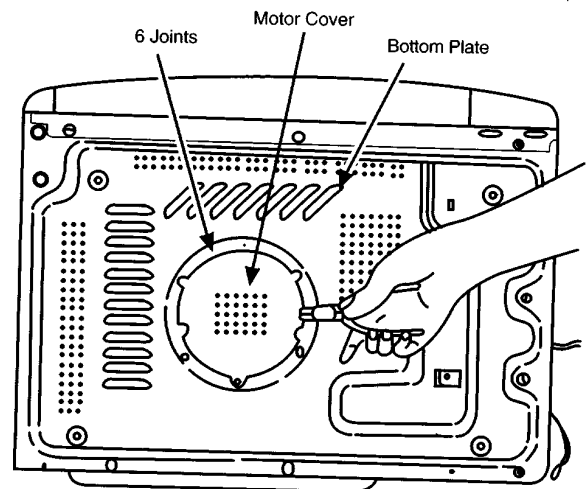
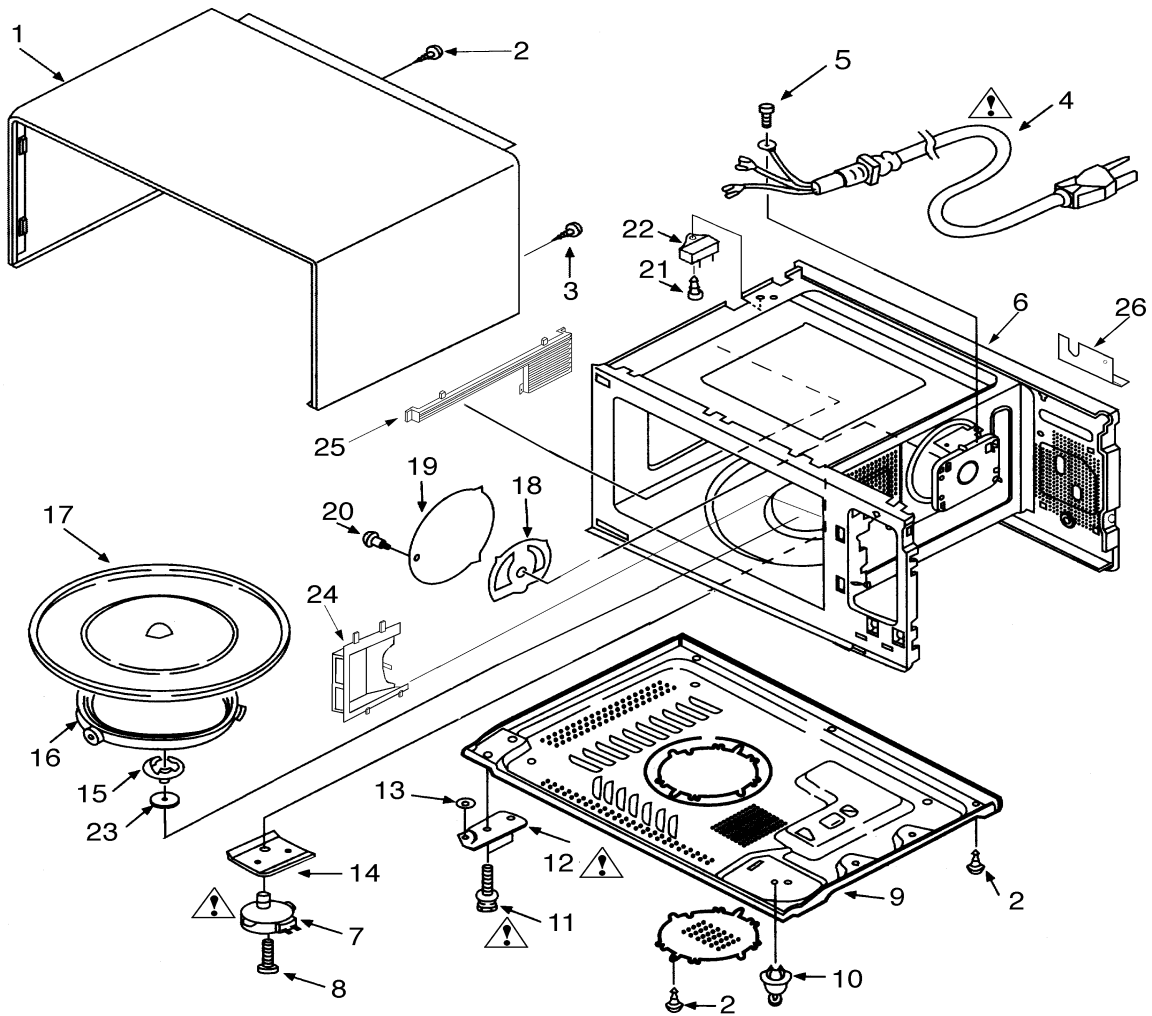


Figure 14

8. EXPLODED VIEW AND PARTS LIST

CAVITY PARTS

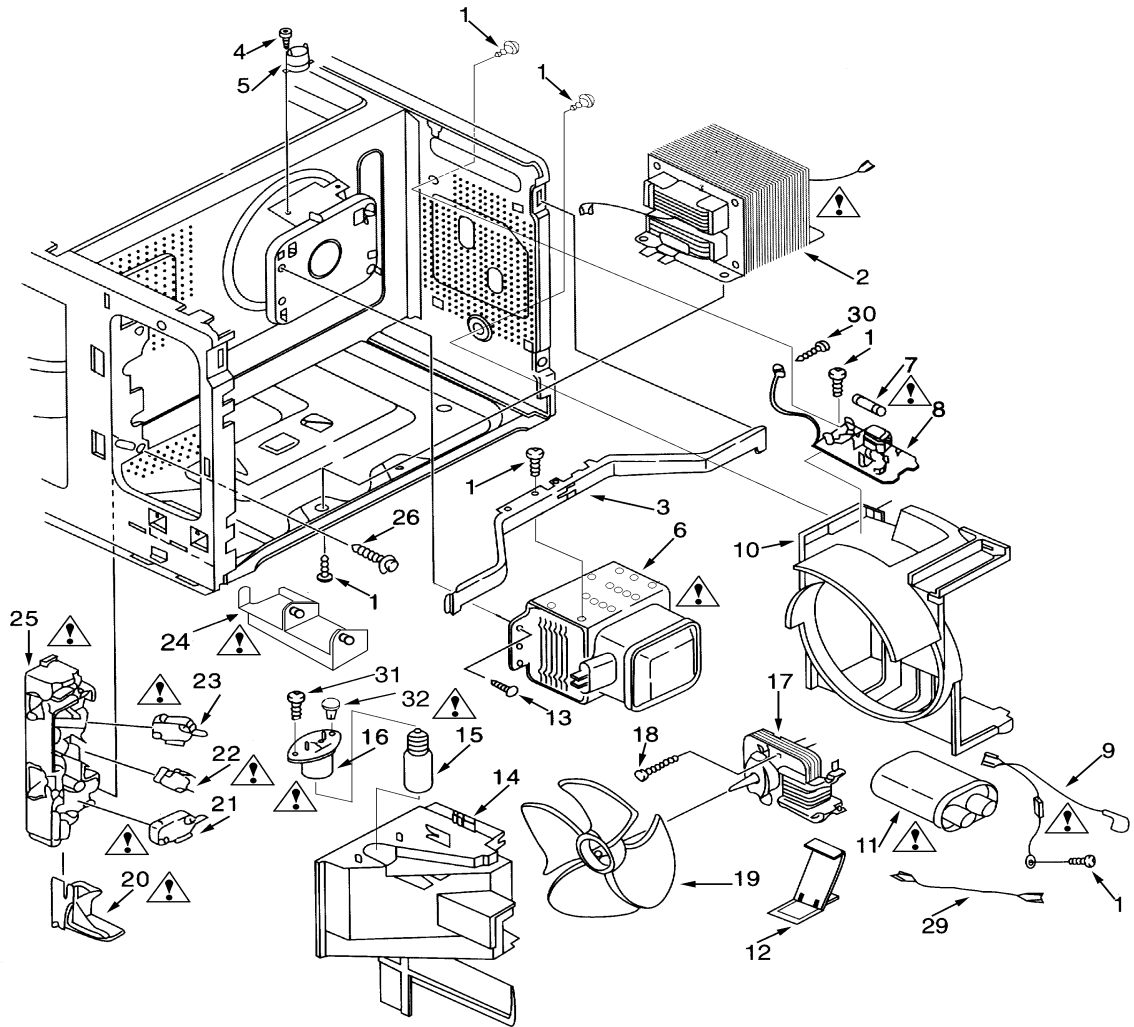


NOTE: All component have special characteristics for safety and must be replaced using parts listed in this manual. All service on M/W ovens should be performed by a qualified technician using approved testing equipment. Customers should not attempt replace component marked with a ⚠ symbol.

Key No.	Part No.	Description	Q'ty.
1	617 186 2072	Cabinet	1
2	411 082 5201	SCR TPG TRS 4 x 10 Z1	9
3	411 160 6007	SCR TPG TRS + SRT 4 x 10 Z1	1
4	617 182 7675	Power Cord	1
5	411 160 6106	SCR S-T PAN 4 x 10 Z1	1
6	617 224 3467	Oven Cavity (Not Service Part)	1
7	617 150 2657	Gear Motor	1
8	411 010 5808	SCR EVR PAN 4 x 10 Z1	2
9	617 138 5601	Bottom Plate (Not Service Part)	1
10	617 221 6096	Plastic Foot with Canoe Clip	4
11	411 011 0802	Bolt Hex + SW + W 5 x 14	2
12	617 180 6137	Hinge, Lower	1
13	411 089 2500	Washer F5 x 10 x 0.8	1

Key No.	Part No.	Description	Q'ty.
14	617 120 8481	Washer	1
15	617 220 5052	Receptacle	1
16	617 199 1048	Rest	1
17	617 215 2714	Turn Table	1
18	617 181 4248	Antenna Complete	1
19	617 162 1938	Protective Cover	1
20	411 069 1707	SCR TPG TRS 4 x 6 DA	1
21	411 006 6604	SCR TPG PAN 3 x 6 Z1	1
22	617 200 0381	Thermal Fuse 167°C	1
23	617 080 5315	Special Washer	1
24	617 224 1081	Protective Cover	1
25	617 224 1098	Protective Cover	1
26	617 225 2377	Cover	1

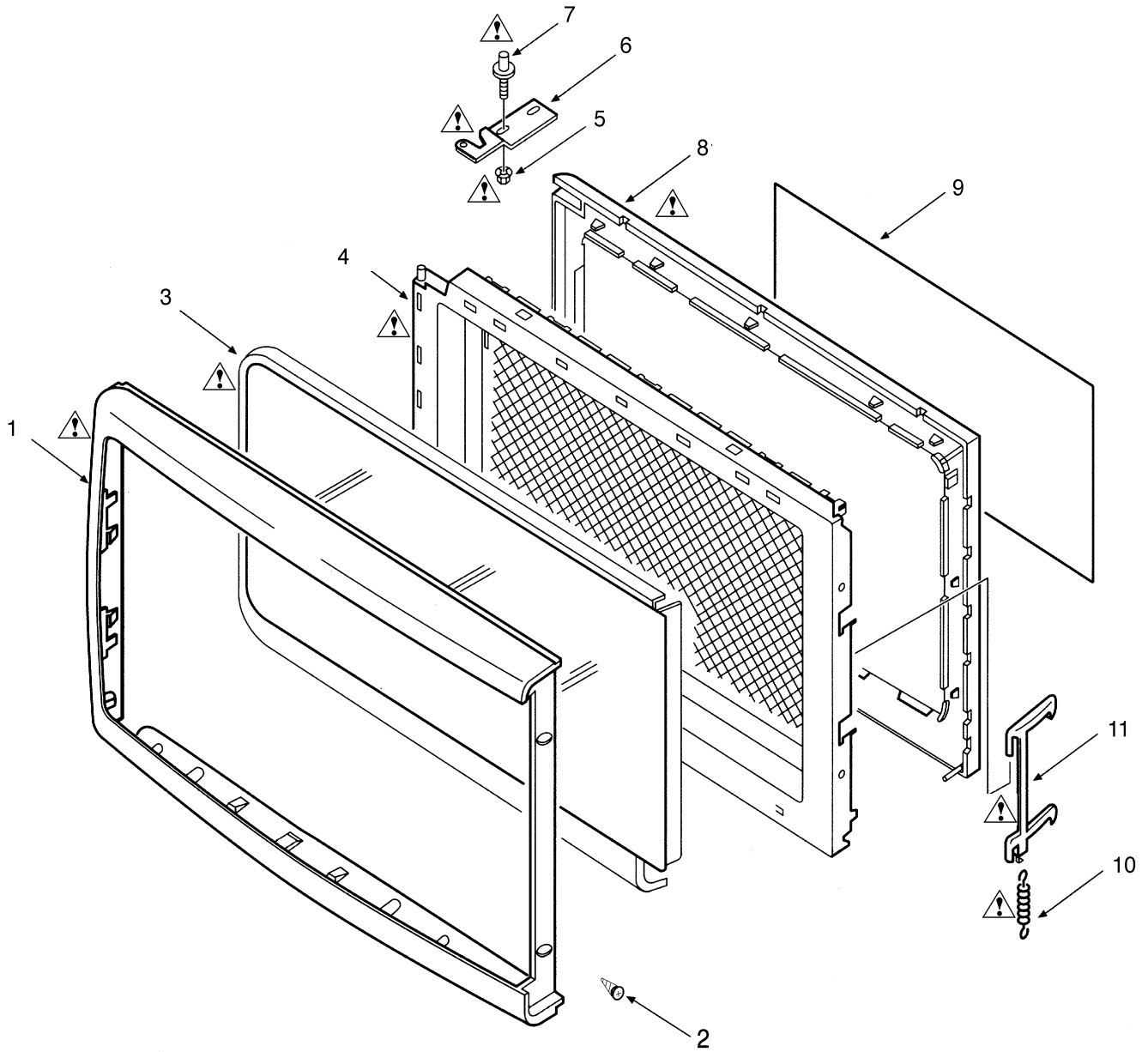
SWITCHES AND MICROWAVE PARTS




NOTE : All component have special characteristics for safety and must be replaced using parts listed in this manual.
 All service on M/W ovens should be performed by a qualified technician using approved testing equipment.
 Customers should not attempt replace component marked with a ⚠ symbol.

Key No.	Part No.	Description	Q'ty.	Key No.	Part No.	Description	Q'ty.
1	411 082 5201	SCR TPG TRS 4 x 10 Z1	9	18	411 082 5201	SCR TPG TRS 4 x 10 Z1	2
2	617 203 8599	H.V.Transformer, N6T-P300	1	19	617 196 8507	Blower Fan	1
3	617 199 8283	Stay, Cavity & Magnetron	1	20	617 124 1181	Latch Lever	1
4	411 006 6604	SCR TPG PAN 3 x 6 Z1	1	21	617 152 4741	Micro Switch, Primary Interlock V-5930D	1
5	617 124 1235	Thermostat, Magnetron 122°C	1	22	617 004 5575	Micro Switch, Interlock Monitor V-5220DZ	1
6	415 002 6002	Magnetron, 2M218H(N)A	1	23	617 152 4741	Micro Switch, Door Sensing V-5930D	1
7	423 014 2509	Fuse, 250V 15A	1	24	617 124 1198	Latch Lever	1
8	617 177 6157	Power PCB	1	25	617 124 1174	Lever Stopper	1
9	617 180 4447	Lead Wire Ass'y, including Diode	1	26	411 102 5907	SCR ETG TRS 4 x 10 N2	2
10	617 162 1990	Space Partition (Blower)	1	27			
11	617 197 6670	H.V.Capacitor including Resistor 0.97 uf 2.2KV.	1	28			
12	617 182 2373	Capacitor Band	1	29	617 124 3796	Lead Wire Assy	1
13	411 011 5609	Bolt Hex 4 x 10 Z1	4	30	411 160 6106	SCR S-T TRS + SRT 4 x 10 Z1	1
14	617 181 2534	Duct, Mag. Exhaust	1	31	411 007 5903	SCR TPG BIN 4 x 10 Z1	1
15	617 206 9180	Lamp, 125V 15W	1	32	617 208 7689	Clip	2
16	617 124 1280	Lamp Socket	1				
17	617 197 7417	Blower Motor	1				

DOOR PARTS

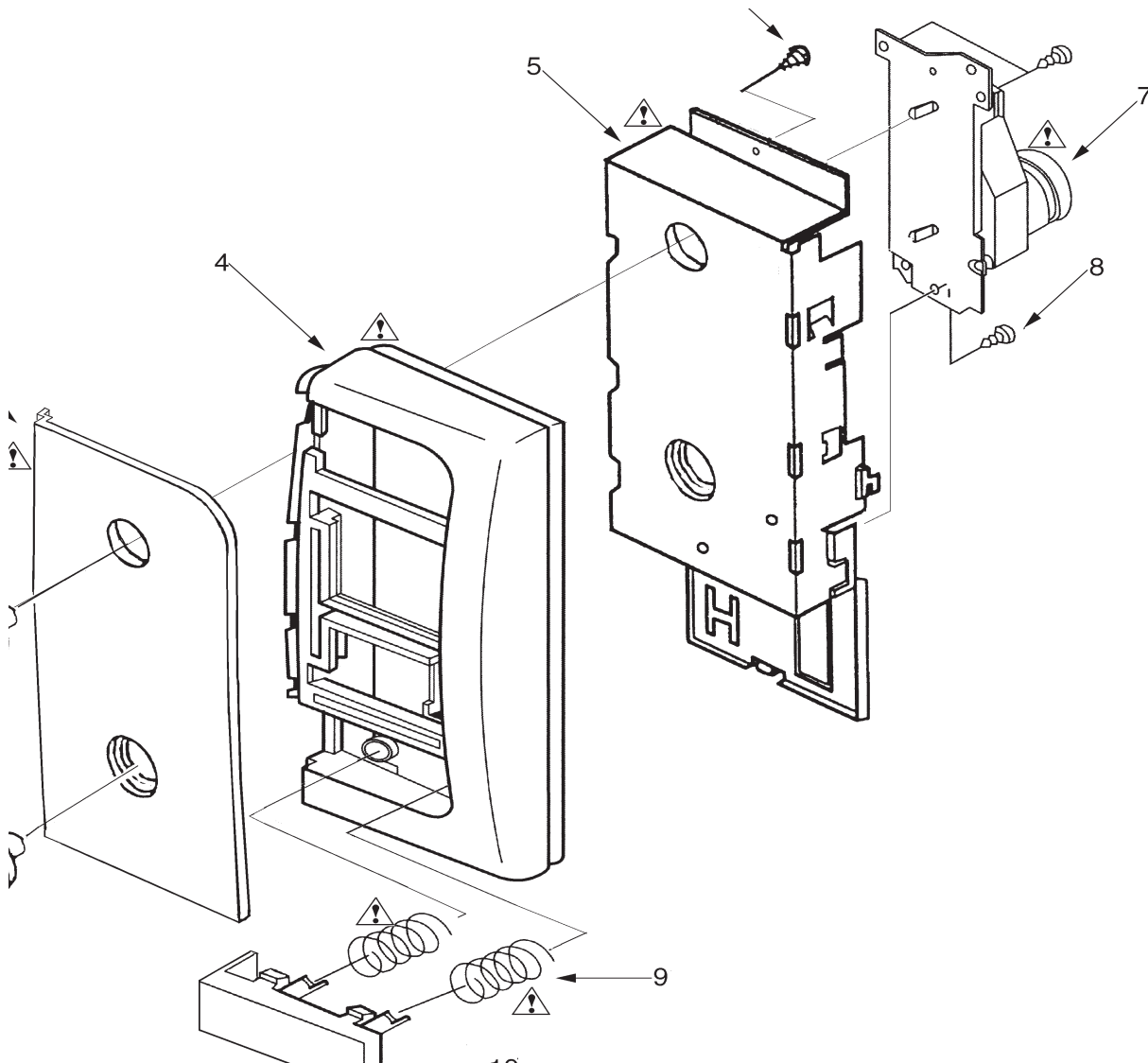



NOTE : All component have special characteristics for safety and must be replaced using parts listed in this manual. All service on M/W ovens should be performed by a qualified technician using approved testing equipment. Customers should not attempt replace component marked with a  symbol.

Key No.	Part No.	Description	Q'ty.
1	617 208 7504	Door Cover	1
2	411 178 9908	SCR S-T PG FLT 4 x 8 ZK	2
3	617 222 1175	Door Panel	1
4	617 208 7481	Door Main Frame (Also order Door Sheet when replacing Door Main Frame)	1
5	411 054 1903	Nut Hex + Flg W/SRT 5	2

Key No.	Part No.	Description	Q'ty.
6	617 180 6151	Hinge, Upper	1
7	411 011 0802	Bolt Hex + SW + W 5 x 14	2
8	617 124 0948	Choke Dielectric	1
9	617 124 0931	Door Sheet	1
10	617 101 1494	Spring	1
11	617 179 2478	Door Latch	1

CONTROL PANEL PARTS



NOTE: All component have special characteristics for safety and must be replaced using parts listed in this manual. All service on M/W ovens should be performed by a qualified technician using approved testing equipment. Customers should not attempt replace component marked with a  symbol.

Key No.	Part No.	Description	Q'ty.
1	617 143 9632	Knob Assy	1
2	617 143 9656	Knob Assy	1
3	617 209 0573	Control Plate	1
4	617 208 7634	Control Frame	1
5	617 209 0610	Control Base Assy	1

Key No.	Part No.	Description	Q'ty.
6	411 160 6205	SCR TPG TRS + SRT 4 x 10 Z1	1
7	617 209 0566	Timer Switch	1
8	411 006 2804	SCR TPG BIN 4 x 10 Z1	4
9	617 080 9559	Spring, Door Release Lever	2
10	617 124 1143	Door Release Lever	1

PRINTED MATTER (Items Not Illustrated)

Key No.	Part No.	Description	Q'ty.
	617 209 0542	Operating Instructions	1
	617 209 0498	Carton Box Complete	1
	617 209 0436	Name Plate	1