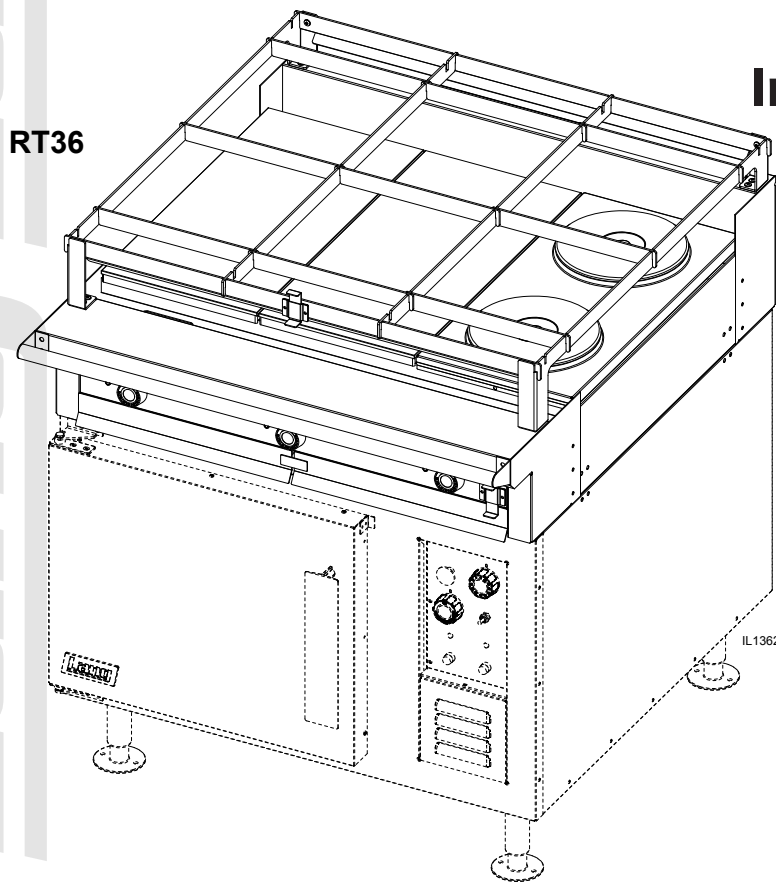


Lang[®]

ELECTRIC RANGE TOP

RT36A thru RT36G
RTI36



Installation and Operation Instructions

2M-W1091 Rev. H 2/17/15



SAFETY SYMBOL



These symbols are intended to alert the user to the presence of important operating and maintenance instructions in the manual accompanying the appliance.

FOR YOUR SAFETY

DO NOT STORE OR USE GASOLINE OR OTHER FLAMMABLE VAPORS AND LIQUIDS IN THE VICINTIY OF THIS OR ANY OTHER APPLIANCE.

POST IN PROMINENT LOCATION

INSTRUCTIONS TO BE FOLLOWED IN THE EVENT USER SMELLS GAS. THIS INFORMATION SHALL BE OBTAINED BY CONSULTING YOUR LOCAL GAS SUPPLIER. AS A MINIMUM, TURN OFF THE GAS AND CALL YOUR GAS COMPANY AND YOUR AUTHORIZED SERVICE AGENT. EVACUATE ALL PERSONNEL FROM THE AREA.

WARNING

IMPROPER INSTALLATION, ADJUSTMENT, ALTERATION, SERVICE OR MAINTENANCE CAN CAUSE PROPERTY DAMAGE, INJURY OR DEATH. READ THE INSTALLATION, OPERATION & MAINTENANCE INSTRUCTIONS THOROUGHLY BEFORE INSTALLING OR SERVICING THIS EQUIPMENT.



**WARNING
RISK OF FIRE OR ELECTRIC SHOCK
DO NOT OPEN**



WARNING, TO REDUCE THE RISK OF ELECTRICAL SHOCK, DO NOT REMOVE CONTROL PANEL. NO USER-SERVICABLE PARTS INSIDE. REPAIRS SHOULD BE DONE BY AUTHORIZED SERVICE PERSONNEL ONLY.

NOTICE

Using any part other than genuine Lang factory supplied parts relieves the manufacturer of all liability.

Lang reserves the right to change specifications and product design without notice. Such revisions do not entitle the buyer to corresponding changes, improvements, additions or replacements for previously purchased equipment.

Due to periodic changes in designs, methods, procedures, policies and regulations, the specifications contained in this sheet are subject to change without notice. While Lang exercises good faith efforts to provide information that is accurate, we are not responsible for errors or omissions in information provided or conclusions reached as a result of using the specifications. By using the information provided, the user assumes all risks in connection with such use.

MAINTENANCE AND REPAIRS

Contact your local dealer for service or required maintenance. Please record the model number, serial number, voltage and purchase & Installation Information in the area below and have it ready when you call to ensure a faster service.

Model No.: _____

Purchased From: _____

Serial No.: _____

Location: _____

Voltage: _____

Purchase Date: _____

1-Phase or 3 Phase: _____

Installed Date: _____



PROBLEMS, QUESTIONS or CONCERNS

Before you proceed consult you authorized Lang service agent directory
 or
 Call the Lang Technical Service & Parts Department at 314-678-6315.

TABLE OF CONTENTS

| | |
|---|-------|
| Equipment Description | 4 |
| Unpacking | 5 |
| Installation | |
| Leg Installation | 5 |
| Electrical Connection | 5 |
| Initial Start-Up | |
| Hot Plates | 7 |
| French Plates | 7 |
| Induction Hot Plates | 8 |
| Griddle. | 8 |
| Range Top. | 8 |
| Maintenance | |
| Cleaning | 9 |
| Induction Hot Plate Surface Care | 9 |
| Griddle Surface Care (non-chromium surface) | 9 |
| Calibration. | 10 |
| Troubleshooting | 10 |
| Induction Troubleshooting | 11 |
| Induction Error Codes | 11 |
| Wiring Diagram | |
| Griddle, Hot Plate, French Plate. | 12 |
| Induction. | 13 |
| Exploded View & Parts List | 16-19 |
| Sea Rail Parts List. | 20-21 |

2M-W1091, Commercial & Marine Electric Range Top

NOTICE Service on this or any other Lang appliance must be performed by qualified personnel only. Consult your Lang Authorized Service Agent Directory. You can call us at 314-678-6315 or visit our website www.langworld.com for the service agent nearest you.

EQUIPMENT DESCRIPTION

Exterior

The range top dimensions are 8" (20.3 cm) high, 38" (96.5cm) deep, and 36" (91.5cm) wide.

The sides, bottom, and rear wall are constructed of stainless steel.

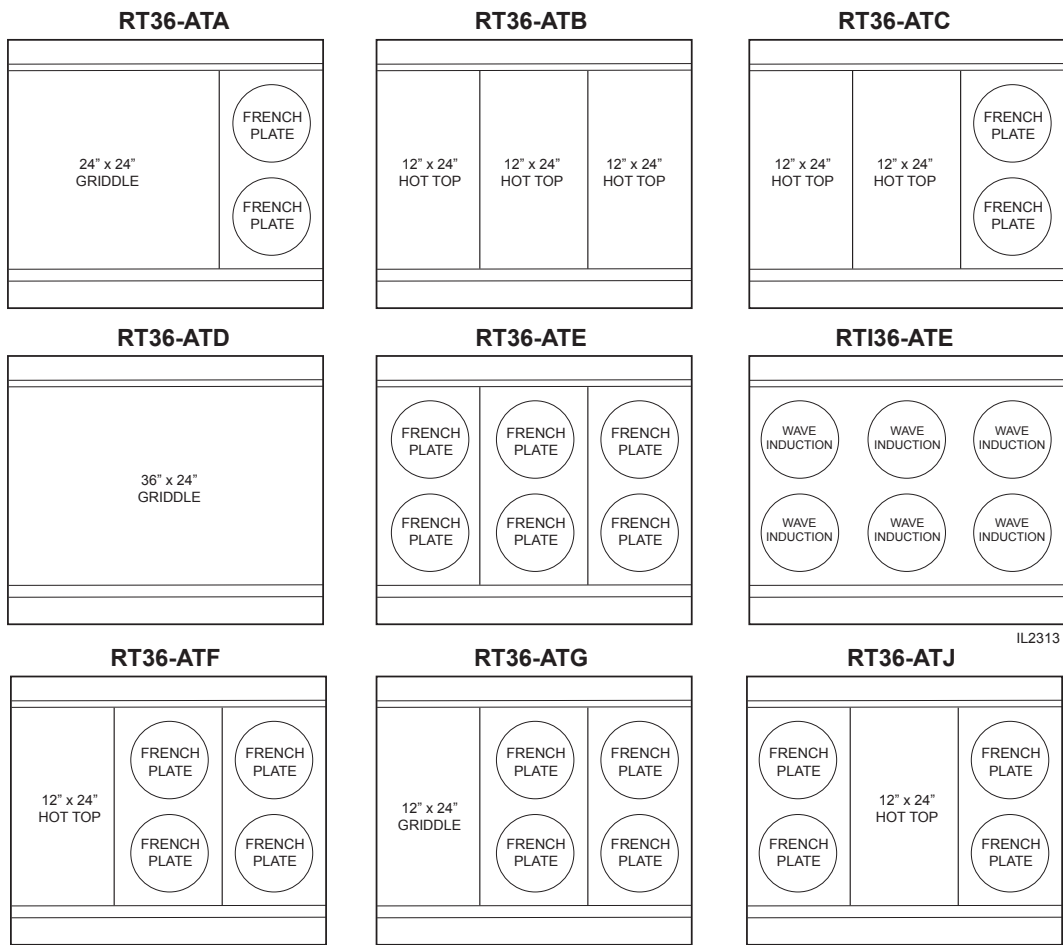
The range surface can come in 5 different configurations (shown below).

Controls

The RT36 Series Range is available with various controls depending upon model number. Shown below are layouts of each top configuration with its proper model number and a brief description of the controls.

The RT36 provides three (3) options for the bottom of the range. A standard bake oven, convection oven, or just as a range top.

| Range Surface Configurations | | | | | | |
|------------------------------|-------|----------|---------|----------|---------------|----------------|
| Model | Conf. | Controls | Griddle | Hot Tops | French Plates | Wave Induction |
| | | | 450°F | 850°F | | |
| RT36-ATA | A | 4 | 24" | | 2 | |
| RT36-ATB | B | 3 | | 36" | | |
| RT36-ATC | C | 4 | | 24" | 2 | |
| RT36-ATD | D | 3 | 36" | | | |
| RT36-ATE | E | 6 | | | 6 | |
| RTI36-ATE | | | | | | 6 |
| RT36-ATF | F | 5 | | 12" | 4 | |
| RT36-ATG | G | 5 | 12" | | 4 | |
| RT36-ATJ | F | 5 | | 12" | 4 | |



IL2313

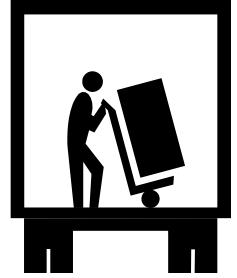
IL2313a

2M-W1091, Commercial & Marine Electric Range Top

UNPACKING

Receiving the Range

Upon receipt, check for freight damage, both visible and concealed. Note visible damage on the freight bill at the time of delivery and require the carrier's agent to sign the freight bill. Concealed loss or damage means loss or damage, which does not become apparent until the merchandise has been unpacked. If concealed loss or damage is discovered upon unpacking, make a written request for inspection by the carrier's agent within 15 days of delivery. Keep all packing material for inspection. Do not return damaged merchandise to Lang Manufacturing, file your claim with the carrier.



Location

Prior to un-crating, move the range as near its intended location as practical. The crating will help protect the unit from the physical damage normally associated with moving it through hallways and doorways.

Un-crating

The range will arrive completely assembled inside a wood frame covered by cardboard box and strapped to a skid. Remove the cardboard cover, cut the straps and remove the wood frame.

RANGE WEIGHS 410 LBS (186 kilograms). FOR SAFE HANDLING, INSTALLER SHOULD OBTAIN HELP AS NEEDED, OR EMPLOY APPROPRIATE MATERIALS HANDLING EQUIPMENT (SUCH AS A FORKLIFT, DOLLY, OR PALLET JACK) TO REMOVE THE UNIT FROM THE SKID AND MOVE IT TO THE PLACE OF INSTALLATION.



CAUTION

ANY STAND, COUNTER OR OTHER DEVICE ON WHICH RANGE WILL BE LOCATED MUST BE DESIGNED TO SUPPORT THE WEIGHT OF THE OVEN (410 LBS.).

SHIPPING STRAPS ARE UNDER TENSION AND CAN SNAP BACK WHEN CUT.

Remove range from skid and place in intended location.

INSTALLING THE LEGS

Legs or Casters are available and must be specified upon ordering.

To install the 6-inch legs, remove the legs from the range packing, place some cardboard on the floor and gently tip the range onto its back. Fasten the legs into the threaded holes provided and then gently flip the oven onto its legs.

To install the 6-inch casters, remove the casters from the oven cavity, place some cardboard on the floor and gently tip the range onto its back. Attach the casters to the adapter plates. Install the four adapter plates (one in each corner with the flange pointed toward the oven). Gently tip the oven onto its casters.

INSTALLATION

Electrical Connection

Make all electrical connections in accordance with local codes or in the absence of local codes with NFPA No. 70 latest edition (in Canada use: CSA STD. C22.1).

Place spacers, (i.e. 2x4 wood block not supplied) at the front and rear of the oven top.

Place the range top on the spacers that are located on top of the oven.

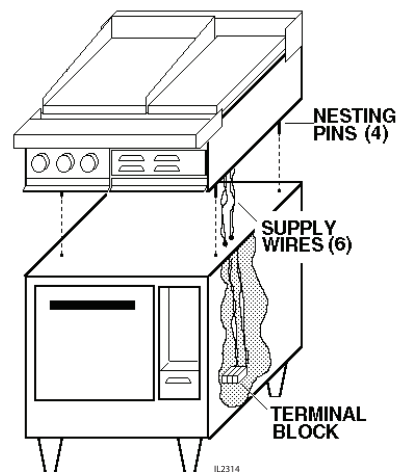
The six wire leads that supply electricity to the cook top are bundled under the front of the top. Route the six wires through the bushing provided in the oven top.

Align the four locating pins in the bottom corner of the top with the four holes in each corner of the oven top.

Remove the spacers and lower the top onto the oven.

The range can now be connected to power.

Use the wiring diagram provided in this manual for determining the connections of the cook top wires to the oven terminal block.




CAUTION

MAKE SURE THE SIX WIRE LEADS TO SUPPLY ELECTRICITY TO THE RANGE TOP ARE NOT CRIMPED BETWEEN THE OVEN AND RANGE TOP. FAILURE TO COMPLY WILL RESULT IN DAMAGE TO EQUIPMENT.


WARNING

TURN OFF THE MAIN POWER SUPPLY TO THE RANGE AT THE SOURCE PRIOR TO CONNECTING POWER TO THE RANGE. FAILURE TO COMPLY MAY RESULT IN SERIOUS INJURY AND OR DEATH.


WARNING

THIS APPLIANCE MUST BE GROUNDED AT THE TERMINAL PROVIDED. FAILURE TO GROUND THE APPLIANCE COULD RESULT IN ELECTROCUTION AND DEATH.


WARNING

INSTALLATION OF THE UNIT MUST BE DONE BY PERSONNEL QUALIFIED TO WORK WITH ELECTRICITY AND PLUMBING. IMPROPER INSTALLATION CAN CAUSE INJURY TO PERSONNEL AND/OR DAMAGE TO EQUIPMENT. UNIT MUST BE INSTALLED IN ACCORDANCE WITH ALL APPLICABLE CODES.

NOTICE

The data plate is located right of range top controls. The oven voltage, wattage, serial number, wire size, and clearance specifications are on the data plate. This information should be carefully read and understood before proceeding with the installation.

NOTICE

The installation of any components such as a vent hood, grease extractors, fire extinguisher systems, must conform to their applicable National, State and locally recognized installation standards.


CAUTION

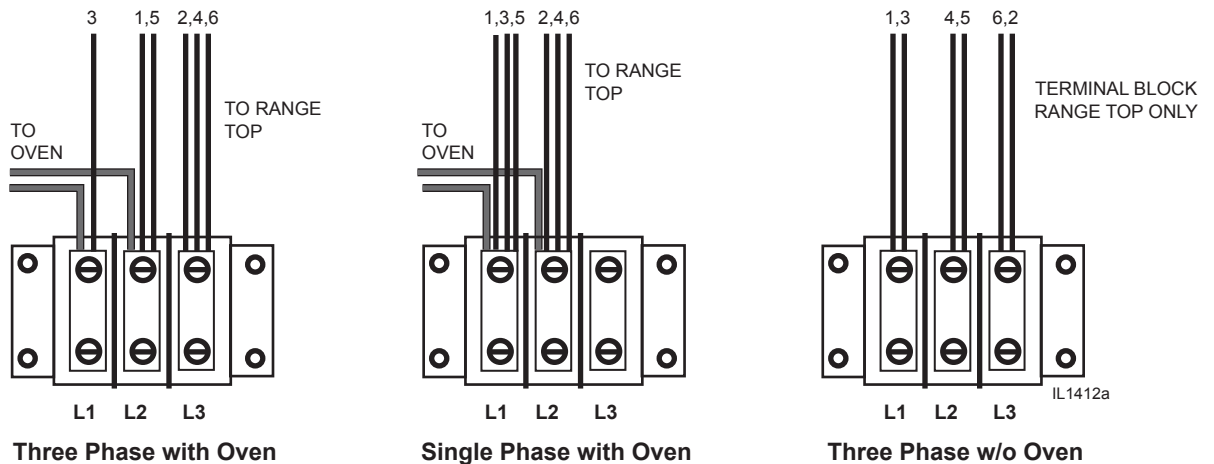
BE SURE THE POWER SUPPLY VOLTAGE MATCHES THE VOLTAGE SPECIFIED ON THE NAMEPLATE LOCATED ON THE FRONT OF THE RANGE. FAILURE TO COMPLY MAY RESULT IN PERSONAL INJURY AND/OR DAMAGE TO EQUIPMENT

INSTALLATION continued

Electrical Connection

The following table and illustrations provide the voltage and kilowatts necessary to operate the range and oven

| Electrical Specifications | | | | | | | | | | | | |
|---------------------------|------------|-------------|------|------|----------|------|------|----------|------|------|--------------|-------|
| Range style | Total k.W. | Three Phase | | | | | | | | | Single Phase | |
| | | 208 Volt | | | 240 Volt | | | 480 Volt | | | 208 V | 240 V |
| | | L1 | L2 | L3 | L1 | L2 | L3 | L1 | L2 | L3 | L1 | L2 |
| Range Top Only | 15 | 41.7 | 41.7 | 41.7 | 36.1 | 36.1 | 36.1 | 18.1 | 18.1 | 18.1 | 72.1 | 62.5 |
| W / Conv. Oven | 21.6 | 48.3 | 69.2 | 62.5 | 41.9 | 59.9 | 54.1 | 20.5 | 29.5 | 27.1 | 103.8 | 90 |
| W / Bake Oven | 21 | 45.8 | 66.7 | 62.5 | 39.7 | 57.8 | 54.1 | 19.9 | 28.9 | 27.1 | 101 | 87.5 |



INITIAL START-UP

Hot Plates

To "dry out" the hot plate, set the thermostat dial at 250°F and turn on the power switch. Allow unit to cycle at least 15 minutes at this heat level. Reset the thermostat to 350°F allowing the same time. Then reset the thermostat to 450°F allowing the same time. Continue doing this until you reach 850°F then allow the unit to maintain this temperature for a minimum of 4 hours. More time may be required if the unit has to operate in a moist environment.

If the unit is out of use for three or more days, a one-hour preheat schedule should be used, especially when exposed to high humidity and/or cool temperatures.

French Plates

To "dry out" the Frenchplate, set the six-heat switch to the first setting and turn on the power switch. Allow unit to cycle at least 15 minutes at this heat level. Reset the six-heat switch to position 2 and allow the same time. Reset the six-heat switch to position 3 and allow the same time. Continue doing this until you reach position 6 then allow the unit to maintain the temperature for a minimum of 4 hours. More time may be required if the unit has to operate in a moist environment.

If the unit is out of use for three or more days, a one-hour preheat schedule should be used, especially when exposed to high humidity and/or cool temperatures.

INITIAL START-UP continued

Induction Burners

Induction requires cookware that is induction efficient or that is made for use on an induction surface. Generally speaking if a magnet attracts and strongly adhere to the pan bottom it will generally work on an induction surface. This is a requirement for proper use. **DO NOT USE WITH EMPTY PANS.**

To operate unit turn the knob clockwise and a small digital number will appear next to the hotplate to be cooked on. The higher the number the faster the heat up. Heating will begin when the pan surface comes in contact with the induction surface and will cease when the pan is removed. **Note: surface will remain hot for a certain period of time after the pan is removed.**

Induction module, controlled by variable heat control. Great for rapid heat-up, it will generally boil water, heat sauces or soups in about half the time of a French Plate. Use caution placing items on the glass cook surface, always wipe down glass with mild soap and water to keep the unit clean.

Griddles

To “dry out” the griddle, set the thermostat to 250°F and turn on the power switch. Allow the unit to cycle at least 15 minutes at this heat level. Reset the thermostat to 350°F allow the same time. Reset the thermostat to 450°F and allow the unit to maintain the temperature for a minimum of 4 hours. More time may be required if the unit has to operate in a moist environment.

If the unit is out of use for three or more days, a one-hour preheat schedule should be used, especially when exposed to high humidity and/or cool temperatures.

NOTICE

During the first few hours of operation you may notice a small amount of smoke coming off the range, and a faint odor from the smoke. This is normal for a new range and will disappear after the first few hours of use.

ALWAYS KEEP THE AREA NEAR THE APPLIANCE FREE FROM COMBUSTIBLE MATERIALS.



KEEP FLOOR IN FRONT OF EQUIPMENT CLEAN AND DRY. IF SPILLS OCCUR, CLEAN IMMEDIATELY, TO AVOID THE DANGER OF SLIPS OR FALLS.

RANGE TOP

Consists of the various top arrangements, depending on specific model purchased:

12" x 24" hot plate controlled by high temperature thermostats. Temperature ranges from 0°F-850°F. Recommended: Stock pots and heavy kettle work.

Round French Plates, controlled by indicating type 6-heat switch. Temperature ranges from 0°F-750°F. Recommended: Light duty sauce pans and small stockpots. Not Recommended: Heavy stock pots, or heavy urns, or kettles.

36" x 24" or 24" x 24" grill plates, controlled by thermostats. Temperature ranges from 0°F-450°F. Recommended: All heavy and light frying. Set the thermostat dial at the desired temperature. The red pilot light will be on until the desired temperature is reached. The pilot light indicates that the plate is heating.

MAINTENANCE AND CLEANING

Cleaning

The range should be thoroughly cleaned at least once a week in addition to the normal daily cleaning to insure against the accumulation of foreign material.



CAUTION

Any oven cleaner used should be marked “Safe On Aluminum”.

Electric equipment is inherently clean and sanitary, but may become unsanitary if dirt is allowed to accumulate on it. Take advantage of the clean, sanitary features of electric equipment, give it the regular attention that it deserves the same as any other highly perfected machinery, to insure best results and continued high operating efficiency.

- Always start with a cold griddle, french plate, hot plate or induction surface.
- The stainless exterior can easily be cleaned using a good non-abrasive cleaner.
- Always follow the cleaner manufacturer’s instructions when using any cleaner.
- Always apply these cleaners when the griddle is cold and rub in the direction of the metal’s grain.
- Keep-drip pans under the range top plates clean.
- Keep the hotplate and griddle surfaces clean.
- Outside of the range and top should be kept clean.

Induction Hot Plate Surface Care

Use only cook-top cleaning creme on glass-ceramic cooking surfaces. Wipe the ceramic cooking surfaces with cleaning creme and a clean cloth. The cleaning creme leaves a protective coating.



CAUTION

DO NOT USE ABRASIVE CLEANERS ON THE INDUCTION GLASS COOKTOP SURFACE, AS THIS COULD SCRATCH AND DAMAGE THE GLASS SURFACE. USE ONLY WATER WITH A MILD DISHWASHING SOAP.

Griddle Surface Care (non-chromium surfaces)

It takes very little time and effort to keep the griddle attractive and performing at top efficiency. If grease is permitted to accumulate, it will form a gummy cake and then carbonize into a hard substance which is extremely difficult to remove. To prevent this condition, the following suggestions for cleanliness should be followed:

- After each use, scrape the griddle with a scraper or flexible spatula to remove excess grease and food. A waste drawer is provided for the scrapings. If there is an accumulation of burned on grease and food, the griddle should be thoroughly scoured and re-seasoned. Use pumice or griddle stone while the griddle is warm.

Do not use steel wool because of the danger of steel slivers getting into the food. MAINTENANCE AND CLEANING

MAINTENANCE AND CLEANING continued

Calibration

Calibration Check

- Place thermometer in the center of oven cavity.
- Set thermostat to 350°F and place both 3-heat switches in the “HIGH” position.
- Allow the oven to Preheat for at least half an hour.

NOTE

Cycle on temperatures and cycle off temperatures for 3 cycles. (Red indicator light indicates when oven is calling for heat)

After 3 cycles average the temperature. (Add all six temperatures and divide by 6)

Calibration Adjustment

- A 1/16” flat blade screwdriver with a 2” shaft is required to make adjustments to the thermostat.
- Maintain the oven temperature at 350°F.
- Without turning the thermostat, remove the knob.
- Locate the adjustment screw at the base of the shaft and insert the screwdriver.
- Hold the shaft and turn the screwdriver counter clockwise to increase the temperature and clockwise to decrease the temperature. (1/8 of a turn will move the temperature 5-7 °F in either direction).
- Reinstall the oven knob and recheck the oven temperature.

Troubleshooting

Troubleshooting is not an exact science. Several factors may play a part in why your machine is not operating correctly. The following symptoms are a general idea of what may be causing the malfunction and should not be considered the complete answer to the situation that you have with your machine. Here are some of the possible problems you may encounter and possible solutions to those problems

| Symptom | Possible Cause |
|-----------------------------|----------------------|
| Hotplate will not heat | No power to Unit |
| | Defective Thermostat |
| | Defective element |
| French plate will not heat | No power to Unit |
| | Failed 6-heat switch |
| | Failed element |
| Griddle plate will not heat | No power to Unit |
| | Failed Thermostat |
| | Failed element |

| Possible Cause | Test |
|----------------------|---|
| Failed thermostat | Verify calibration |
| Failed element | Remove the wires and check for continuity across the element* |
| Failed 6-heat switch | Call factory or consult service manual for proper tests |

If an item on the list is followed by an asterisk (*), the work should be done by a factory authorized service representative

NOTICE

Service on this or any other Lang appliance must be performed by qualified personnel only. Consult your Lang Authorized Service Agent Directory. You can call us at 314-678-6315 or visit our website www.langworld.com for the service agent nearest you.



WARNING: BOTH HIGH AND LOW VOLTAGES ARE PRESENT INSIDE THIS APPLIANCE WHEN THE UNIT IS PLUGGED/WIRED INTO A LIVE RECEPTACLE. BEFORE REPLACING ANY PARTS, DISCONNECT THE UNIT FROM THE ELECTRIC POWER SUPPLY.

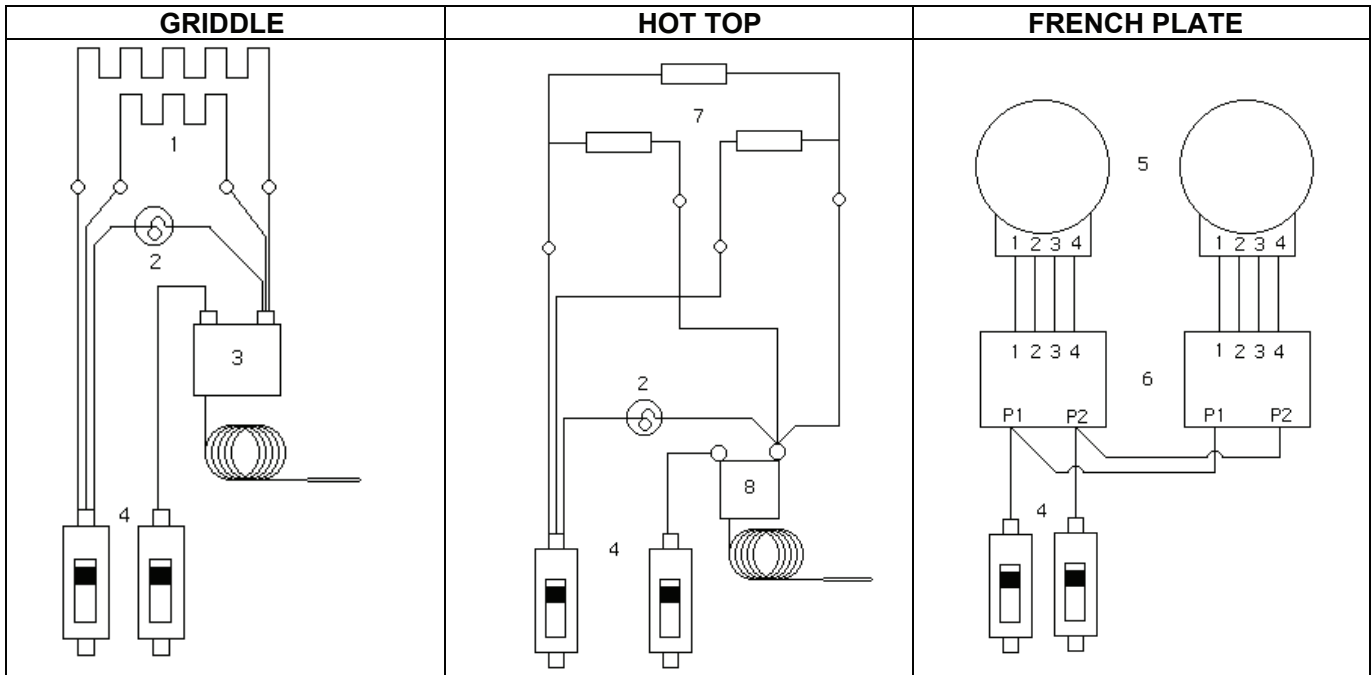
MAINTENANCE AND CLEANING continued

Induction Troubleshooting

| INDUCTION TROUBLESHOOTING | | |
|--------------------------------------|---|---|
| Symptom | Probable Cause | Possible Solution |
| No Power (no lights or fan noise) | Power the unit, disconnected or circuit breaker open. | Turn on main power switch, check circuit breaker. |
| Pan does not heat | Pan is not induction efficient | Use induction efficient pan |
| | Pan not centered | center pan |
| Unit suddenly stops heating | Possible power brown out | Verify proper voltage/power |
| | Safety shut-off engaged | The safety shut off will engage if an empty pan is left on the cooktop surface while the unit is working at full power. Make sure the cooktop surface is clear. Wait 15-20 minutes for the unit to reset. |
| Pan heats unevenly or over heats | Pan not induction efficient | Use induction efficient pan |
| | Pan bottom may not be flat | Use flat pan |
| | Pan not centered | Center pan |
| | Pan is less than 7" dia | Use larger induction efficient pan. |

In the event of a possible malfunction your Lang Wave module will display an error code on the display. See below when encountering an error code on your display. To reset error conditions remove the pan from the unit and turn off power to the unit.

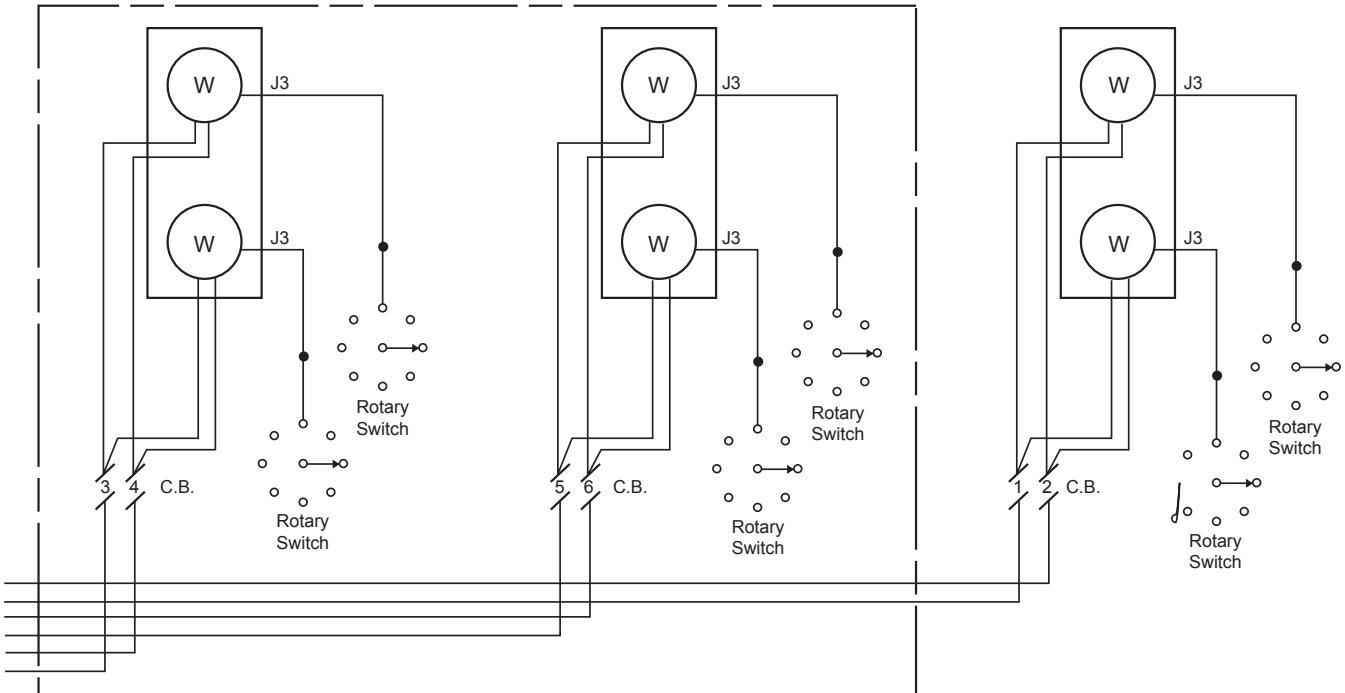
| INDUCTION ERROR CODES | | | |
|-----------------------|-----------------------------------|----------|--|
| Error | Cause | Code | Troubleshooting |
| 1 | Broken Temp Sensor | E-01 | Service required to replace sensor |
| 2 | Glass Temp. to high | E-02 | Remove pans from surface & let unit cool. Turn unit power OFF & then ON. If unit does not return to normal operation, service is required. |
| 3 | Over Current | E-03 | Try different cookware, current may be required |
| 4 | Over heat or air flow restriction | Air-Flow | Make sure air inlet vents in the rear are not restricted, listen for unit fan operation |
| 6 | Hig Line Voltage | E-06 | To reset, turn OFF unit power & turn on again. Verify power line voltage. |
| 7 | Hardware Failure | E-07 | Service required |
| 8 | Zero Cross Failure | E-08 | Turn OFF unit, then turn ON. If problem persists, service is required. |



1. Griddle and Top Plate Element
2. Pilot Light
3. 450°F Griddle Theremostat
4. Circuit Breaker
5. French Plate
6. 6-Heat Switch
7. Hot Top
8. 850°F Hot Top Thermostat

INDUCTION COOKTOP 30"
RANGE TOP

INDUCTION COOKTOP 36"
RANGE TOP



RT130 & RT136 INDUCTION COOKTOP

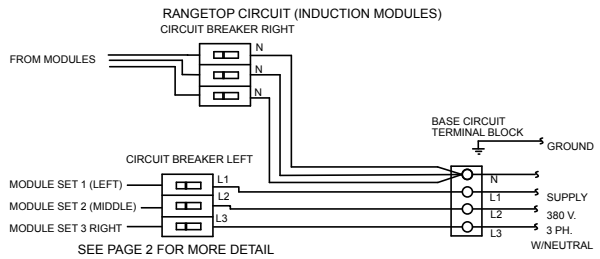
SK2526

2M-W1091, Commerical & Marine Electric Range Top

| MODEL DESIGNATION | TOP ARRANGEMENT | | | TOP SECTION WIRE DIAGRAMS | | |
|---|-----------------|-------|-------|---------------------------|--------------|---------------------------|
| | SEC-1 | SEC-2 | SEC-3 | 2000 | 3000 | |
| 36S-11 | A | A | A | | | |
| 36S-21 | C | C | C | | | |
| 36S-5 | A | A | C | | | |
| 36S-7 | B | B | B | | | |
| 36S-8A | B | B | C | | | |
| ① THERMOSTAT ② SIX HEAT SWITCH ③ PILOT LAMP ④ SPEED UNIT-(EGO) ⑤ HEAT ELEMENT ⑥ CAST HOT TOP | 1 N | 2 N | 3 N | L TO BREAKER | L TO BREAKER | L TO BREAKER |
| | | | | A GRILL | B HOT TOP | C SPEED UNITS (INDUCTION) |

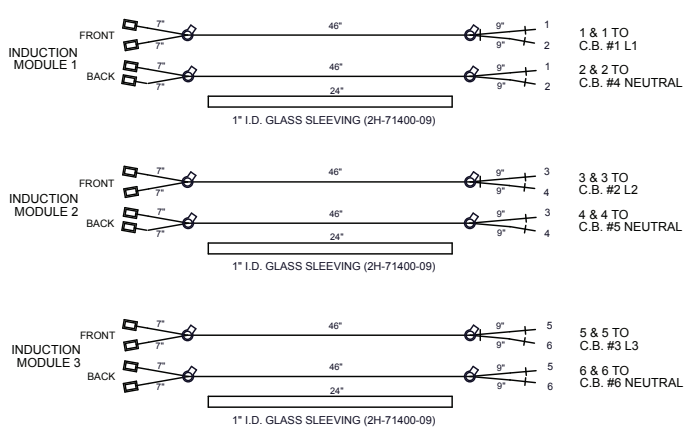
| ELECTRICAL CONNECTIONS | | | ELECTRICAL DATA | | | | | | | |
|------------------------|-----------------|----------|-----------------|--------------|-------|-------|----------|--------------|----|----|
| POWER SUPPLY | CIRCUIT BREAKER | COOK TOP | MODEL | LOADING | | | KW TOTAL | AMPS | | |
| | | | | KW PER PHASE | | | | 220 V. (L-N) | | |
| SINGLE | L1 | 1 | 36S COOK TOP | L1 L2 | L2 L3 | L3 L1 | 15.0 | L1 | L2 | L3 |
| | L2 | 2 | | 5.0 | 5.0 | 5.0 | | 22 | 22 | 22 |
| PHASE | L3 | 3 | | | | | | | | |

USED ON A 5 WIRE SUPPLY SYSTEM WITH 380V.
3 PH. SUPPLY WITH A NEUTRAL AND GROUND WIRE.

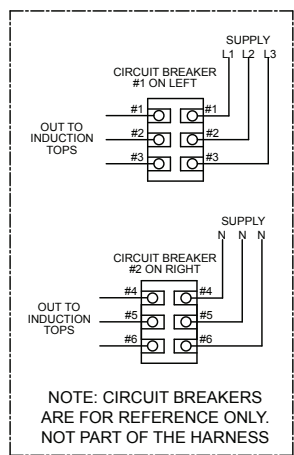


| QTY | ITEM | PART NUMBER | DESCRIPTION / MATERIAL |
|---|--------------|----------------|------------------------|
| LANG MANUFACTURING | | | |
| DR. SRC | DATE: 5-2-13 | TITLE: | 36S COOK TOP |
| CK: - | DATE: - | | 220/380 VAC |
| TOLERANCES | | | |
| FRACTIONS | DECIMALS | | |
| ± 1/64 | .X ± .05 | | |
| ANGLES | XX ± .03 | | |
| ± .5° | XXX ± .015 | | |
| UNLESS OTHERWISE SPECIFIED DIMENSIONS ARE IN INCHES | | | |
| SCALE: | NONE | | |
| NEXT HIGHER ASSY. | SHEET 1 OF 2 | DRAWING NUMBER | 61106-14 |
| | | REV | - |

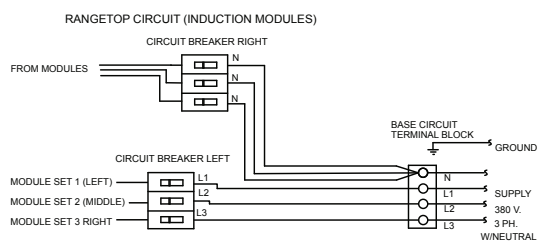
USED ON A 5 WIRE SUPPLY SYSTEM WITH 380V.
3 PH. SUPPLY WITH A NEUTRAL AND GROUND WIRE.



| REVISION BLOCK | | | | |
|----------------|---------|-------------|-----|--------------|
| REV | ECN NO. | DESCRIPTION | DR. | MFG ENG DATE |
| | | | | |



NOTE: CIRCUIT BREAKERS ARE FOR REFERENCE ONLY. NOT PART OF THE HARNESS



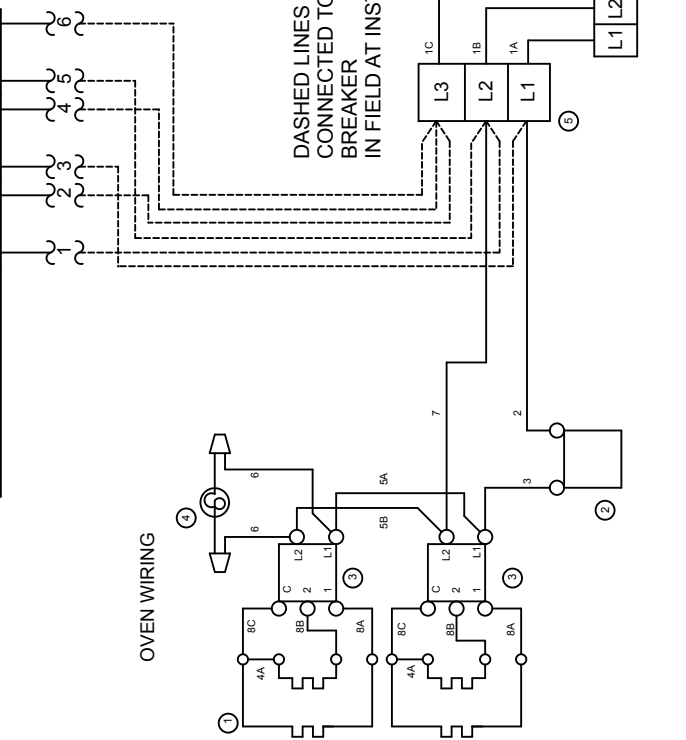
| QTY | ITEM | PART NUMBER | DESCRIPTION / MATERIAL |
|---|--------------|----------------|------------------------|
| LANG MANUFACTURING | | | |
| DR. SRC | DATE: 5-2-13 | TITLE: | 36S COOK TOP |
| CK: - | DATE: - | | 220/380 VAC |
| TOLERANCES | | | |
| FRACTIONS | DECIMALS | | |
| ± 1/64 | .X ± .05 | | |
| ANGLES | XX ± .03 | | |
| ± .5° | XXX ± .015 | | |
| UNLESS OTHERWISE SPECIFIED DIMENSIONS ARE IN INCHES | | | |
| SCALE: | NONE | | |
| NEXT HIGHER ASSY. | SHEET 2 OF 2 | DRAWING NUMBER | 61106-14 |
| | | REV | - |

2M-W1091, Commercial & Marine Electric Range Top

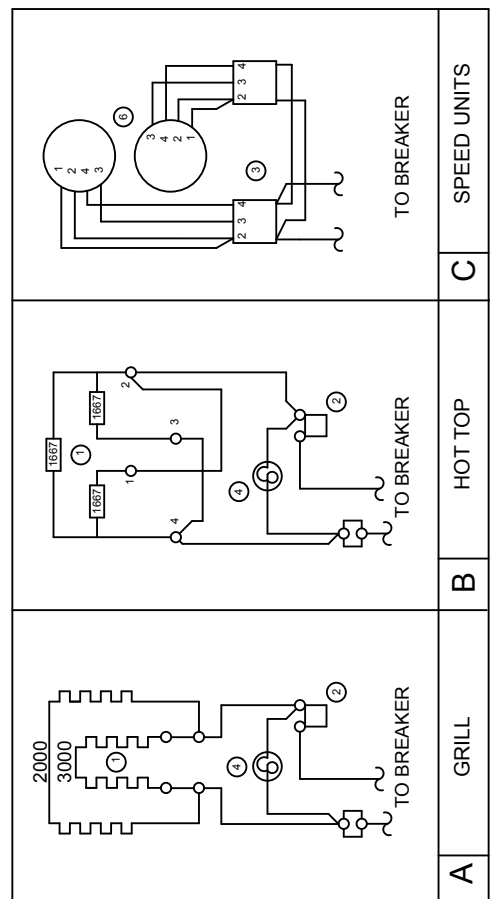
| REVISION BLOCK | | | |
|----------------|---------|-------------|------|
| REV | ECN NO. | DESCRIPTION | DATE |
| | | | |

- ① HEAT ELEMENT
- ② THERMOSTAT
- ③ HEAT SWITCH
- ④ PILOT LAMP
- ⑤ CIRCUIT BREAKER
- ⑥ SPEED UNITS

| MODEL DESIGNATION | TOP ARRANGEMENT | | |
|-------------------|-----------------|-------|-------|
| | SEC-1 | SEC-2 | SEC-3 |
| RT36A-T | A | A | C |
| RT36B-T | B | B | B |
| RT36C-T | B | B | C |
| RT36D-T | A | A | A |
| RT36E-T | C | C | C |
| RT36F-T | B | C | C |



TOP SECTION WIRE DIAGRAMS

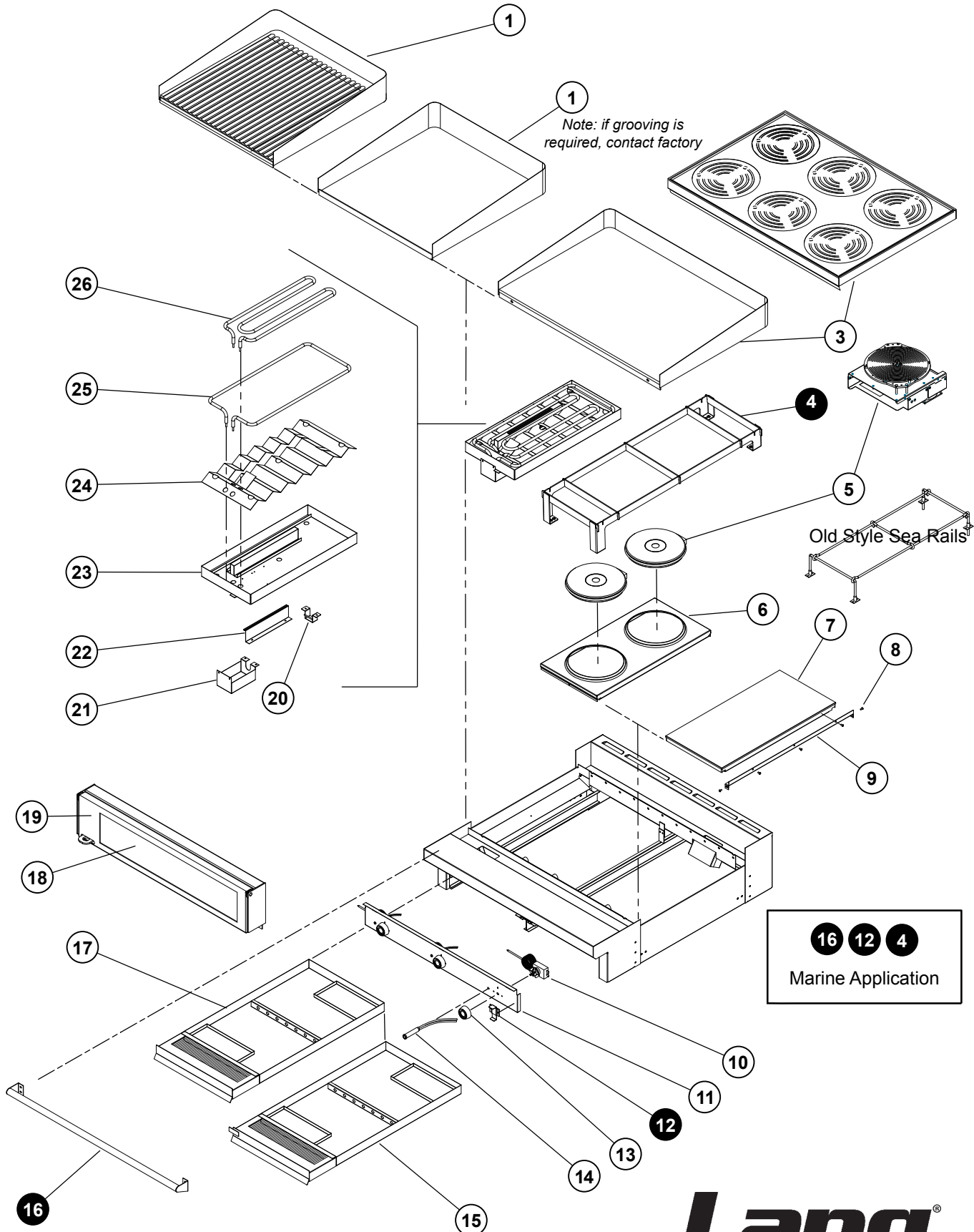


| ELECTRICAL CONNECTIONS | | | |
|------------------------|---|---------------------|---|
| POWER SUPPLY | RANGE TOP CONNECT TO OVEN CIRCUIT BREAKER | OVEN TERMINAL BLOCK | |
| THREE | L1 | 3 | 1 |
| | L2 | 1-5 | 2 |
| | L3 | 2-4-6 | - |

CONNECT WIRES FROM RANGE TOP TO OVEN CIRCUIT BREAKER AS SHOWN AT RIGHT

| ELECTRICAL DATA | | | | | |
|-----------------|---------|-------|-------|----------|------|
| MODEL NUMBER | LOADING | | | AMPS | |
| | L1 L2 | L2 L3 | L3 L1 | L1 | L2 |
| RT36-T + DO36-T | 6.0 | 10.0 | 5.0 | 25.1 | 36.5 |
| | TOTAL | | | 21.0 | 34.2 |
| | | | | 380 VOLT | |

| QTY | ITEM | PART NUMBER | DESCRIPTION / MATERIAL |
|-----------------------------|------|--------------------------|------------------------|
| LANG MANUFACTURING | | | |
| DR. NUM | DATE | 5-4-15 | |
| CK | DATE | TITLE: W/D LANG RANGE W/ | |
| TOLERANCES | | DECK OVEN 380 VAC | |
| FRACTIONS | | NEXT HIGHER ASSY. | |
| DECIMALS | | DRAWING NUMBER | |
| UNITS | | SHEET | |
| DIMENSIONS UNLESS SPECIFIED | | DRAWING NUMBER | |
| UNLESS OTHERWISE SPECIFIED | | DRAWING NUMBER | |
| SCALE | NONE | 1 OF 1 | 2M-61106-15 |



Model:
36" Range Top

SOME ITEMS ARE INCLUDED FOR ILLUSTRATIVE PURPOSES ONLY AND IN CERTAIN INSTANCES MAY NOT BE AVAILABLE

SK2265

Rev. B 8/2/11

Lang[®]

PARTS LIST

May 07, 2015, Rev. H

| Model No: RT36A, RT36B, RT36C, RT36D, RT36E, RT36F, RT36G COMMERCIAL & MARINE ELECTRIC RANGE TOP | | | | |
|---|----------------|--|-------------------------------|---|
| Fig No | Part No | Qty | Description | Application |
| 1 | P9-50401-09 | 1 | RANGE PLATE ASSY 1" X 2' | ALL RT36A V |
| | P9-50401-02 | | RANGE PLATE ASSY 1/2" X 2' | ALL RT36A VM |
| 3 | P9-50401-03 | 1 | RANGE PLATE ASSY 1/2" X 3' | ALL RT36D VM |
| | P9-50401-11 | | RANGE PLATE ASSY 1/2" X 3' | ALL RT36D V |
| | P9-50403-10 | | RANGE PLATE ASSY 1" X 3' | RT36D1 |
| | P9-RF21-740 | 1 | TOP GLASS ASY - 36" INDUCTION | RTI36 |
| | PS-71300-22 | AR | GLASS ONLY - 36" INDUCTION | |
| 4 | P9-50302-301 | 1 | SEARAIL ASSY 3' {RF&500} | ALL RT36E-VM, RT36F-VM |
| | P9-50302-303-1 | | SEARAIL ASSY 1' {ADD} SK | ALL RT36A, RT36C VM |
| 5 | 2N-11120-12 | 2 | ELMNT TK 208V 2600W | RT36A-208V/VM, RT36C-208V, RT36A1-208V, RT36G-208V/VM |
| | | 4 | | RT36F-208V/VM, RT36J-208V |
| | | 6 | | RT36E-208V/VM |
| | 2N-11120-13 | 2 | ELMNT TK 240V 2600W | RT36A-240V/VM, RT36C-240V/VM |
| | | 4 | | RT36F-240V/VM, RT36G-240V/VM |
| | | 6 | | RT36E-240V/VM |
| | 2N-11120-14 | 2 | ELMNT TK 480V 2600W | RT36A-440VM, 480V/VM, RT36C-440VM, 480V/VM |
| | | 4 | | RT36F-480VM, RT36G-480V/VM |
| 2N-11120-18 | 6 | ELMNT TK 380V 2000W | RT36E-440VM, 480V/VM | |
| | | | RT36A-380VM, RT36E-380V | |
| 2N-11120-26 | 6 | INDUCTION MOD-2600W 208/240 | RTI36E | |
| 6 | P9-50300-82-1 | 1 | EGO PLATE FRM ASY PHANT | RT36A-208V/VM, 240V, ALL RT36C |
| | | 3 | | ALL RT36E |
| | P9-50300-83 | 2 | EGO FRENCH HOT PLATE | RT36F-480VM |
| 7 | PS-11010-341 | 1 | HOTPLATE 208V 5000W CAST | RT36F-208V/VM, RT36J-208V, RT36G-208V/VM |
| | | 2 | | RT36C-208V |
| | | 3 | | RT36B-208V/VM |
| | PS-11010-351 | 1 | HOTPLATE 240V 5000W CAST | RT36F-240V/VM, RT36G-240V/VM |
| | | 3 | | RT36B-240V, RT36C-240V/VM, RT36F-240VM |
| | PS-11010-361 | 1 | HOTPLATE 480V 5000W CAST | RT36F-440VM & 480VM, RT36G480V/VM |
| 3 | | RT36B-440VM, 480V/VM, RT36C-440VM, 480V/VM | | |
| PS-11010-371 | 2 | HOTPLATE 400V 5000W CAST | RT36C-380VM | |
| 8 | 2C-21003-02 | 10 | SCRW SECRTY 1/4-20 2-EAR | RT36B-480VCP |
| 9 | P9-RF21-820 | 2 | HOT TOP HLDER ASY CORR. PKG | RT36B-480VCP |
| 10 | 2E-30304-09 | 2 | SWTROT 6 HEAT+OFF208/240V | RT36A-208V/VM, 240V, 440VM, 480V/VM, RT36B-440VM, ALL RT36C |
| | | 4 | | ALL RT36G |
| | | 6 | | ALL RT36E |
| | 2T-30402-08 | 1 | STAT ADJ 450o 72 C/T | ALL RT36G |
| | | 2 | | ALL RT36A |
| | | 3 | | ALL RT36D |
| | 2T-30402-23 | 3 | STAT ADJ 850° 48C/T NAK | ALL RT36B |
| | | 2 | | ALL RT36C |
| 1 | | ALL RT36F, RT36J | | |
| 2E-30304-14 | 6 | CONTROL MODULE-INDUCTION | RTI36E | |
| 11 | P9-RF21-304 | 1 | CONTROL PANEL H | ALL RT36E |
| | P9-RF21-305 | | CONTROL PANEL C&G | ALL RT36B, RT36D |
| | P9-RF21-306 | | CONTROL PANEL A&D | ALL RT36A AND RT36C |
| | P9-RF21-307-2 | | CONTROL PANEL CUSTOM | ALL RT36F, RT36G |

2M-W1091, Commercial & Marine Electric Range Top

PARTS LIST

May 07, 2015, Rev. H

| Model No: RT36A, RT36B, RT36C, RT36D, RT36E, RT36F, RT36G COMMERCIAL & MARINE ELECTRIC RANGE TOP | | | | |
|---|---|---|-----------------------------|---|
| Fig No | Part No | Qty | Description | Application |
| 12 | P9-60102-93 | 1 | MARINE PAN LATCH ASSY | ALL RT36A VM, ALL RT36B VM & VCP, ALL RT36C VM, RT36D-208VM & 240VM & 440VM, ALL RT36E VM |
| 13 | P9-70701-35 (Black), P9-70701-35-2 (Red) | 1 | KNOB ASSY 850° B | ALL RT36F, RT36J |
| | P9-70701-41 (Black), P9-70701-41-2 (Red) | 3 | KNOB ASSY 6 HEAT EGOTK | ALL RT36B AND RT36D |
| | | 4 | | ALL RT36A AND RT36C, RT36F |
| | | 6 | | ALL RT36E |
| | Y9-70701-16 (Black), Y9-70701-16-2 (Red) | 2 | KNOB ASSY 450o A | ALL RT36A; RT36C-440 VM,480 V/VM |
| 3 | | ALL RT36D; ALL RT36B; RT36C-208 V/VM, 240 V/VM | | |
| | PS-70700-09-1 | 6 | KNOB ASSY-INDUCTION | RTI36E |
| 14 | Y9-31601-01-1 | 1 | PILOT LT 250V 6LEAD BLK | RT36F-208V/VM, RT36F-240V/VM, RT36F-208V |
| | | 2 | | RT36A-208V/VM, 240V/VM, RT36C-208V/VM, 240V/VM |
| | | 3 | | RT36B-208V/VM, 240V/VM, RT36D-208V/VM, 240V/VM |
| | Y9-31601-02-1 | 2 | PILOT LT 480V 6LEAD BLK | RT36A-380VM, 440VM, 480V/VM, RT36C-380VM, 440VM, 480V/VM |
| 3 | | RT36B-440VM, 480V/VM, RT30D-440VM & 480V, RT36D 480 SUB | | |
| 15 | P9-RF21-415-1 | 2 | PAN ASSY (304 S/S) | ALL RT36A V, ALL RT36B V, ALL RT36C V, RT36D-208V & 240V, ALL RT36E V |
| | PS-60102-W1232 | 1 | RF21 MARINE PAN ASY-RIGHT | ALL RT36A VM, ALL RT36B VM, ALL RT36C VM, RT36D-208VM & 240VM & 440VM, ALL RT36E VM |
| | P9-RF21-750 | 2 | PAN WELD ASSY-INDUCTION | RTI36E |
| 16 | P9-50300-44-1 | 1 | GRAB BAR ASSY 36 RANGE | ALL RT36A VM, ALL RT36B VM, ALL RT36C VM, ALL RT36D VM, ALL RT36E VM |
| 17 | M9-60102-290 | 1 | MARINE PAN ASSY - A/L | ALL RT36A VM, ALL RT36B VM, ALL RT36C VM, ALL RT36D VM, ALL RT36E |
| 18 | P9-RF21-803 | 1 | WINDOW - CP RF21 | RT36B-480VCP |
| 19 | P9-RF21-800 | 1 | DOOR ASSY - CP | RT36B-480VCP |
| 20 | P9-50306-25 | 2 | WIRE BRACKET ASSY TILT-UP | ALL RT36A |
| | | 3 | | ALL RT36D |
| | | 1 | | ALL RT36G |
| 21 | P9-50306-33 | 3 | ELEM TERMINAL GUARD | ALL RT36D |
| | | 2 | | ALL RT36A |
| | | 1 | | ALL RT36G |
| 22 | P9-50300-22 | 2 | 208-240 V 3/16 BULB HOLDER | ALL RT36A 208, 240 V/VM |
| | | 3 | | ALL RT36D 208, 240 V/VM |
| | P9-50300-43 | 2 | 480 V 3/16 BULB HOLDER | ALL RT36A 440VM, 480 V/VM |
| | | 3 | | ALL RT36D 440VM, 480 V/VM |
| | | 1 | | ALL RT36D 440VM |
| 23 | P9-50300-41 | 2 | ELEM PAN ASSY (W/SNOUT) 5KW | RT36A 208, 240 V/VM |
| | | 3 | | RT36D 208, 240 V/VM |
| | P9-50300-43 | 1 | 480 V 3/16 BULB HOLDER | ALL RT36G |

2M-W1091, Commercial & Marine Electric Range Top

PARTS LIST

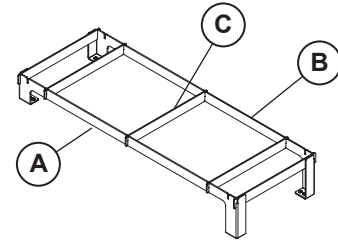
May 07, 2015, Rev. H

| Model No: RT36A, RT36B, RT36C, RT36D, RT36E, RT36F, RT36G COMMERCIAL & MARINE ELECTRIC RANGE TOP | | | | |
|---|-------------|-------------|----------------------------|--|
| Fig No | Part No | Qty | Description | Application |
| 24 | P9-50300-42 | 2 | ZIG ZAG ASSY (W/SNOUT) 5KW | ALL RT36A |
| | | 3 | | ALL RT36D |
| | | 1 | | ALL RT36G |
| 25 | 2N-11010-09 | 2 | ELMNT T/P 208V 2KW O/S | RT36A 208 V/VM, RT36A1-208V |
| | | 3 | | RT36D 208 V/VM |
| | 2N-11010-21 | 2 | ELMNT T/P 240V O/S 2KW | RT36A 240 V/VM |
| | | 3 | | RT36D 240 V/VM |
| | 2N-11010-23 | 2 | ELMNT T/P 480V O/S 2KW | RT36A 480 V/VM, 440 VM |
| | | 3 | | RT36D 480 V/VM, 440 VM ;480 SUB |
| | | 1 | | RT36G |
| | 2N-11010-25 | 1 | ELMNT T/P 380V O/S 2KW | RT36G-380VM |
| | | 2 | | RT36A-380VM |
| 3 | | RT36D-380VM | | |
| 26 | 2N-11010-10 | 2 | ELMNT T/P 208V 3KW I/S | RT36A 208 V/VM, RT36A1-208V |
| | | 3 | | RT36D 208 V/VM |
| | 2N-11010-22 | 2 | ELMNT T/P 240V I/S 3KW | RT36A 240 V/VM |
| | | 3 | | RT36D 240 V/VM |
| | 2N-11010-24 | 2 | ELMNT T/P 480V I/S 3KW | RT36A 480 V/VM, 440 VM |
| | | 3 | | RT36D 480 V/VM, 440 VM, 480 SUB |
| | | 1 | | RT36G |
| | 2N-11010-26 | 1 | ELMNT T/P 380V I/S 3KW | RT36G-380VM |
| | | 2 | | RT36A-380VM |
| | | 3 | | RT36D-380VM |
| NI | 2E-30500-08 | 1 | TRM BLOCK 2 POLE SMALL 95 | RT36A-440VM, 480V/VM, RT36C-440VM, 480V/VM |
| NI | 2E-30500-09 | 1 | TRM BLOCK 3 POLE SMALL 95 | RT36B-440VM, 480V/VM, RT36D-440VM, 480V/VM |
| NI | 2E-31800-01 | 6 | CB 250V50A 1 POLE CRLNGSW | RT36A-208V/VM, 240V/VM, RT36B-208V/VM, 240V/VM, RT36C-208V/VM, 240V/VM, RT36D-208V/VM, 240V/VM, RT36E-208V/VM, 240V/VM, RT36F, RT36J |

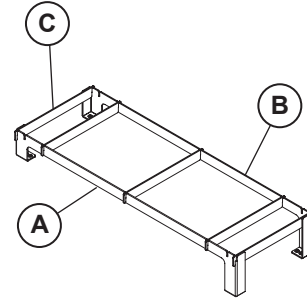
2M-W1091, Commercial & Marine Electric Range Top

Lang Manufacturing Searail Assembly

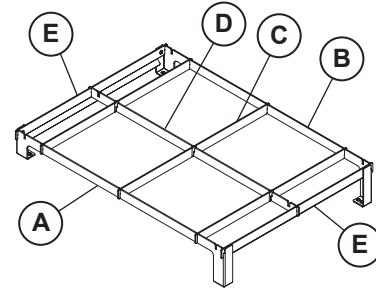
| Part No. | Qty | Description |
|--------------------|-----------|--|
| 50302-297-1 | | SEARAIL ASSY 1' {RF&500} SK |
| A | 50302-305 | 1 SEARAIL LH SIDE {ADD,RF & 500} |
| B | 50302-306 | 1 SEARAIL RH SIDE {ADD,RF & 500} |
| C | 50302-317 | 5 SEARAIL SIDE TO SIDE 12" |
| | 20109-04 | 8 SCREW THD MS SS 10-32X 3/8 |



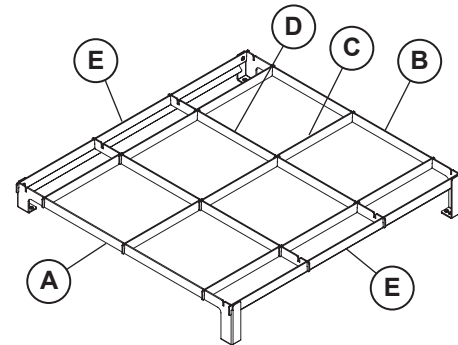
| Part No. | Qty | Description |
|--------------------|-----------|----------------------------------|
| 50302-303-1 | | SEARAIL ASSY 1' {ADD} SK |
| A | 50302-305 | 1 SEARAIL LH SIDE {ADD,RF & 500} |
| B | 50302-306 | 1 SEARAIL RH SIDE {ADD,RF & 500} |
| C | 50302-318 | 5 SEARAIL SIDE TO SIDE ADD |
| | 20109-04 | 8 SCREW THD MS SS 10-32X 3/8 |



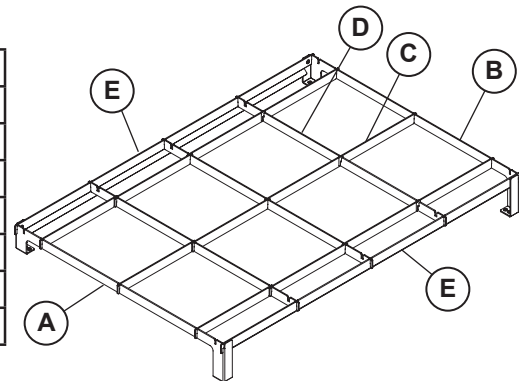
| Part No. | Qty | Description |
|--------------------|-----------|--|
| 50302-298-1 | | SEARAIL ASSY 2' {RF&500} SK |
| A | 50302-305 | 1 SEARAIL LH SIDE {ADD,RF & 500} |
| B | 50302-306 | 1 SEARAIL RH SIDE {ADD,RF & 500} |
| C | 50302-317 | 6 SEARAIL SIDE TO SIDE 12" |
| D | 50302-315 | 1 SEARAIL FR TO BK {ADD,RF,500} |
| E | 50302-311 | 2 SEARAIL FR & RR 2' |
| | 20109-04 | 10 SCREW THD MS SS 10-32X 3/8 |
| | 20301-34 | 2 NUT HEX ACORN 10-32 S/S |



| Part No. | Qty | Description |
|--------------------|-----------|--|
| 50302-301-1 | | SEARAIL ASSY 3' (RF&500) SK |
| A | 50302-305 | 1 SEARAIL LH SIDE {ADD,RF & 500} |
| B | 50302-306 | 1 SEARAIL RH SIDE {ADD,RF & 500} |
| C | 50302-317 | 9 SEARAIL SIDE TO SIDE 12" |
| D | 50302-315 | 2 SEARAIL FR TO BK {ADD,RF,500} |
| E | 50302-310 | 2 SEARAIL FR & RR 3' |
| | 20109-04 | 10 SCREW THD MS SS 10-32X 3/8 |
| | 20301-34 | 2 NUT HEX ACORN 10-32 S/S |



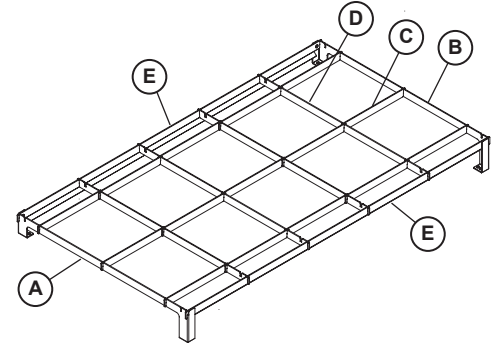
| Part No. | Qty | Description |
|--------------------|-----------|----------------------------------|
| 50302-299-1 | | SEARAIL ASSY 4' {500} SK |
| A | 50302-305 | 1 SEARAIL LH SIDE {ADD,RF & 500} |
| B | 50302-306 | 1 SEARAIL RH SIDE {ADD,RF & 500} |
| C | 50302-317 | 12 SEARAIL SIDE TO SIDE 12" |
| D | 50302-315 | 3 SEARAIL FR TO BK {ADD,RF,500} |
| E | 50302-312 | 2 SEARAIL FR & RR 4' |
| | 20109-04 | 10 SCREW THD MS SS 10-32X 3/8 |
| | 20301-34 | 2 NUT HEX ACORN 10-32 S/S |



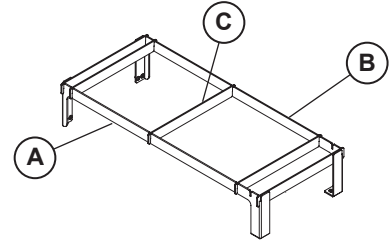
2M-W1091, Commercial & Marine Electric Range Top

Lang Manufacturing Searail Assembly continued

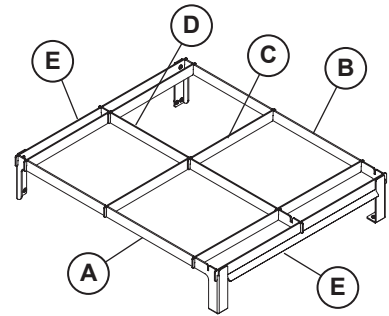
| | Part No. | Qty | Description |
|---|--------------------|-----|---------------------------------|
| | 50302-300-1 | | SEARAIL ASSY 5' {500} SK |
| A | 50302-305 | 1 | SEARAIL LH SIDE {ADD,RF & 500} |
| B | 50302-306 | 1 | SEARAIL RH SIDE {ADD,RF & 500} |
| C | 50302-317 | 15 | SEARAIL SIDE TO SIDE 12" |
| D | 50302-315 | 4 | SEARAIL FR TO BK {ADD,RF,500} |
| E | 50302-309 | 2 | SEARAIL FR & RR 5' |
| | 20109-04 | 10 | SCREW THD MS SS 10-32X 3/8 |
| | 20301-34 | 2 | NUT HEX ACORN 10-32 S/S |



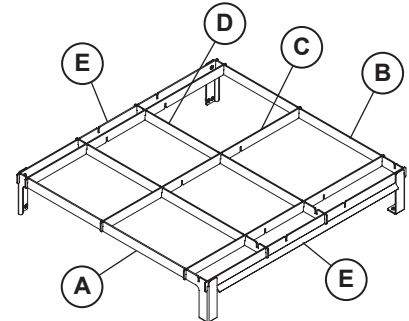
| | Part No. | Qty | Description |
|---|--------------------|-----|--------------------------------|
| | 50302-304-1 | | SEARAIL ASSY 1' RT30 SK |
| A | 50302-307 | 1 | SEARAIL LH SIDE RT30 |
| B | 50302-308 | 1 | SEARAIL RH SIDE RT30 |
| C | 50302-317 | 5 | SEARAIL SIDE TO SIDE 12" |
| | 20109-04 | 6 | SCREW THD MS SS 10-32X 3/8 |



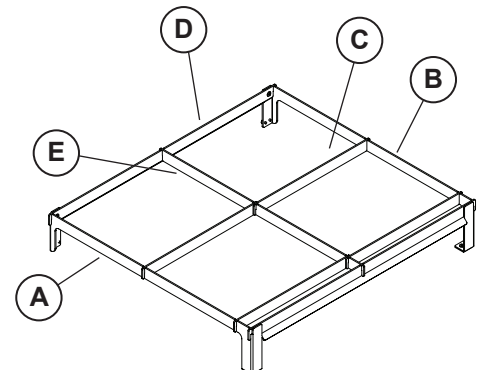
| | Part No. | Qty | Description |
|---|--------------------|-----|-----------------------------------|
| | 50302-302-1 | | SEARAIL ASSY 2' RT30/32 SK |
| A | 50302-307 | 1 | SEARAIL LH SIDE RT30 |
| B | 50302-308 | 1 | SEARAIL RH SIDE RT30 |
| C | 50302-317 | 6 | SEARAIL SIDE TO SIDE 12" |
| D | 50302-316 | 1 | SEARAIL FR TO BK RT30 |
| E | 50302-311 | 2 | SEARAIL FR & RR 2' |
| | 20109-04 | 6 | SCREW THD MS SS 10-32X 3/8 |
| | 20301-34 | 2 | NUT HEX ACORN 10-32 S/S |



| | Part No. | Qty | Description |
|---|--------------------|-----|---------------------------------------|
| | 50302-295-1 | | SEARAIL ASSY RT30 DBL W/GRD SK |
| A | 50302-307 | 1 | SEARAIL LH SIDE RT30 |
| B | 50302-308 | 1 | SEARAIL RH SIDE RT30 |
| C | 50302-314 | 3 | SEARAIL SUPPORT RT30 W/GRIDDLE |
| D | 50302-316 | 2 | SEARAIL FR TO BK RT30 |
| E | 50302-313 | 2 | SEARAIL FR&RR RT30 W/GRIDDLE |
| | 20109-04 | 8 | SCREW THD MS SS 10-32X 3/8 |
| | 20301-34 | 2 | NUT HEX ACORN 10-32 S/S |

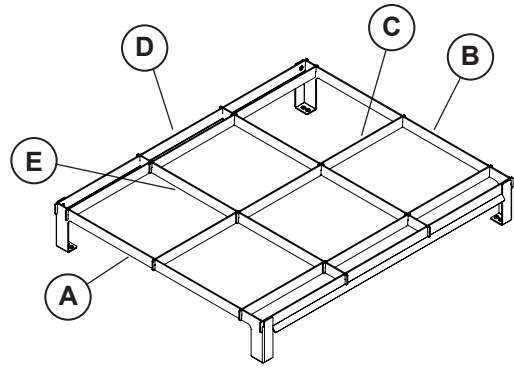


| | Part No. | Qty | Description |
|---|-----------------------|----------|---------------------------------|
| | P9-50302-302-2 | 1 | SEARAIL ASSEMBLY - RTI30 |
| A | P9-50302-307-1 | 1 | SEARAIL-LH SIDE-RTI30 |
| B | P9-50302-308-1 | 1 | SEARAIL-RH SIDE-RTI30 |
| E | P9-50302-316-1 | 1 | SEARAIL-FRT TO BCK-RTI30 |
| D | P9-50302-311-1 | 2 | SEARAIL-FRONT-RTI30 |
| C | P9-50302-317-2 | 4 | SEARAIL-CROSS BRKT-RTI30 |
| | 2C-20109-04 | 8 | SCRW THD MS SS 10-32X3/8 |
| | 2C-20301-34 | 2 | NUT HEX ACORN 10-32 S/S |



2M-W1091, Commercial & Marine Electric Range Top

| | Part Number | Description | Quantity |
|---|-----------------------|---------------------------------|----------|
| | P9-50302-297-2 | SEARAIL ASSEMBLY - RTI36 | 1 |
| A | P9-50302-306-1 | SEARAIL - LH SIDE - 36" | 1 |
| B | P9-50302-305-1 | SEARAIL - RH SIDE - 36" | 1 |
| C | P9-50302-317-3 | SEARAIL-CROSS BRKT-36" | 9 |
| D | P9-50302-311-2 | SEARAIL-FRT REAR-36" | 1 |
| E | P9-50302-316-2 | SEARAIL-FRT TO BACK-36" | 2 |
| | 2C-20109-04 | SCRW THD MS SS 10-32X3/8 | 10 |
| | 2C-20301-34 | NUT HEX ACORN 10-32 S/S | 2 |



STAR INTERNATIONAL HOLDINGS INC. COMPANY

Star - Holman - Lang - Wells - Bloomfield - Toastmaster

10 Sunnen Drive, St. Louis, MO 63143 U.S.A.