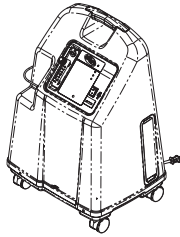


Operator's Manual

Platinum™ Series XL, 5, 10



Oxygen Concentrators Standard,
with SensO₂® and HomeFill™ II



PART ONE Concentrator Information

*Invacare 5 with SensO₂
Model IRC5LXO2*

*Invacare 5
Model IRC5LX*

*Invacare 10 with SensO₂
Model IRC10LXO2*

*Invacare 10
Model IRC10LX*

Dealer: This manual MUST be given to the end user.

User: Before using this product, read this manual and save for future reference.

For more information regarding
Invacare products, parts, and services,
please visit www.invacare.com



Yes, you can.

⚠ WARNING

DO NOT OPERATE THIS EQUIPMENT WITHOUT FIRST READING AND UNDERSTANDING THIS MANUAL. IF YOU ARE UNABLE TO UNDERSTAND THE WARNINGS, CAUTIONS, AND INSTRUCTIONS, CONTACT INVACARE TECHNICAL SERVICES BEFORE ATTEMPTING TO USE THIS EQUIPMENT - OTHERWISE SERIOUS INJURY OR PROPERTY DAMAGE MAY RESULT.

ACCESSORIES

There are many different types of humidifiers, oxygen tubing, cannulas and masks that can be used with this device. You should contact your local home care provider for recommendations on which of these devices will be best for you. They should also give you advice on the proper usage, maintenance, and cleaning.

⚠ WARNING

Invacare products are specifically designed and manufactured for use in conjunction with Invacare accessories. Accessories designed by other manufacturers have not been tested by Invacare and are not recommended for use with Invacare products.

TABLE OF CONTENTS

ACCESSORIES	2
SPECIAL NOTES	4
SECTION 1—GENERAL GUIDELINES	5
SECTION 2—FEATURES	9
SECTION 3—HANDLING	10
Unpacking.....	10
Inspection.....	10
Storage.....	10
SECTION 4—SPECIFICATIONS	11
SECTION 5—OPERATING INSTRUCTIONS	21
Introduction.....	21
Select a Location	21
Recommended Guidelines for Optimum Performance.....	22
Plug in Power Cord	22
Connect Humidifier (If So Prescribed).....	22
Power Switch	25
Flowrate.....	26
SensO ₂ Oxygen Purity Indicator (If Your Unit Features the O ₂ Sensor Feature).....	27
Initial Startup of the Concentrator	27
Explanation of Oxygen Purity Indicator Lights.....	27
Indicators (If Your Unit Does Not Feature the O ₂ Sensor) ...	28
SECTION 6—MAINTENANCE	29
Routine Maintenance.....	29
SECTION 7—TROUBLESHOOTING GUIDE	32
LIMITED WARRANTY	35

SPECIAL NOTES

SIGNAL WORD	MEANING
DANGER	Danger indicates an imminently hazardous situation which, if not avoided, will result in death or serious injury.
WARNING	Warning indicates a potentially hazardous situation which, if not avoided, could result in death or serious injury.
CAUTION	Caution indicates a potentially hazardous situation which, if not avoided, may result in property damage.

NOTICE

The information contained in this document is subject to change without notice.

DANGER

Users MUST not smoke while using this device. Keep all matches, lighted cigarettes or other sources of ignition out of the room in which this product is located. No smoking signs should be prominently displayed. Textiles and other materials that normally would not burn are easily ignited and burn with great intensity in oxygen enriched air. Failure to observe this warning can result in severe fire, property damage and cause physical injury or death.

SECTION I—GENERAL GUIDELINES

In order to ensure the safe installation, assembly and operation of the Platinum concentrator these instructions **MUST** be followed.

CAUTION

“Caution: Federal law restricts this device to sale or rental by or on order of a physician, or any other practitioner licensed by the law of the State in which he/she practices to use or order the use of this device.”

⚠ WARNING

SECTION I - GENERAL GUIDELINES contains important information for the safe operation and use of this product. **DO NOT** use this product or any available optional equipment without first completely reading and understanding these instructions and any additional instructional material such as **Owner’s Manuals, Service Manuals or Instruction Sheets** supplied with this product or optional equipment. If you are unable to understand the **Warnings, Cautions or Instructions**, contact a healthcare professional, dealer or technical personnel before attempting to use this equipment - otherwise, injury or damage may occur.

Risk of electric shock. **DO NOT** disassemble. Refer servicing to qualified service personnel.

The use of oxygen therapy requires that special care be taken to reduce the risk of fire. Any materials that will burn in air, and some that will not, are easily ignited and burn rapidly in high concentrations of oxygen. For safety concerns, it is necessary that all sources of ignition be kept away from the product and preferably out of the room in which it is being used. **NO SMOKING** signs should be prominently displayed.

A spontaneous and violent ignition may occur if oil, grease or greasy substances come in contact with oxygen under pressure. These substances **MUST** be kept away from the oxygen concentrator, tubing and connections, and all other oxygen equipment. **DO NOT** use any lubricants unless recommended by Invacare.

For optimum performance, Invacare recommends that each concentrator be on and running for a minimum of 30 minutes at a time. Shorter periods of operation may reduce maximum product life.

If the concentrator has a damaged cord or plug, if it is not working properly, if it has been dropped or damaged, or dropped into water, call qualified technician for examination and repair.

Keep the cord away from heated or hot surfaces.

DO NOT move or relocate concentrator by pulling on the cord.

NEVER drop or insert any object into any opening.

NEVER block the air openings of the product or place it on a soft surface, such as a bed or couch, where the air opening may be blocked. Keep the openings free from lint, hair and the like. Fill humidifier with water to the level shown by the manufacturer. **DO NOT** overfill.

Keep unit at least three (3) inches away from walls, draperies, furniture, and the like.

Invacare recommends that Crush-Proof oxygen tubing be used with this product and not exceed 50 ft. (15.2m) in length. Recommended use for Platinum 10 is up to 25 ft. in length of high flow tubing.

MAINTENANCE

The Invacare Oxygen Concentrator was specifically designed to minimize routine preventive maintenance. Only professionals of the healthcare field or persons fully conversant with this process such as factory trained personnel should perform preventive maintenance or performance adjustments on the oxygen concentrator.

RADIO FREQUENCY INTERFERENCE

Most electronic equipment is influenced by Radio Frequency Interference (RFI). Caution should be exercised with regard to the use of portable communications equipment in the area around such equipment.

TO REDUCE THE RISK OF BURNS, ELECTROCUTION, FIRE OR INJURY TO PERSONS.

Avoid using while bathing. If continuous usage is required by the physician's prescription:

The concentrator **MUST** be located in another room at least seven (7) feet from the bath.

DO NOT come in contact with the concentrator while wet.

DO NOT place or store product where it can drop into water or other liquid.

DO NOT reach for product that has fallen into water. Unplug **IMMEDIATELY**.

A product should **NEVER** be left unattended when plugged in.

This device is to be used only in accordance with the prescription of a physician and this Owner's Manual. If at any time the patient or attendant conclude that the patient is receiving an insufficient amount of oxygen, the supplier and/or physician should be contacted immediately.

DO NOT change the L/min. setting on the flowmeter unless a change has been prescribed by your physician or therapist.

Close supervision is necessary when this product is used near children or physically-challenged individuals.

Use this product for only intended use as described in this manual.

DO NOT connect the concentrator in parallel or series with other oxygen concentrators or oxygen therapy devices.

Use of some administration accessories or certain humidifiers not specified for use with oxygen concentrator may impair the performance.

In certain circumstances oxygen therapy can be hazardous. Invacare recommends that you seek medical advice before using this machine.

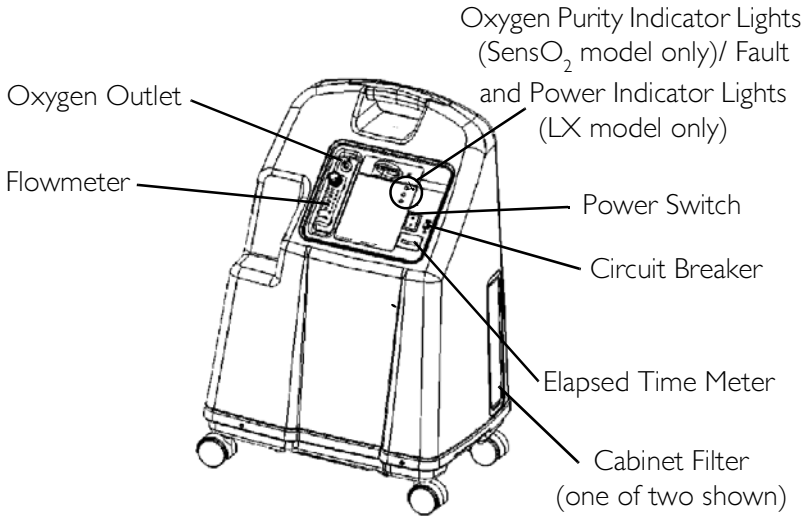
This equipment is to be used as an oxygen supplement and is not considered life supporting or life sustaining.

Avoid creation of any spark near medical oxygen equipment. This includes sparks from static electricity created by any type of friction.

POLARIZED PLUG INSTRUCTION

As a safety feature, this appliance has a polarized plug (one blade is wider than the other). This plug will fit in a polarized outlet only one way. If the plug does not fit fully in the outlet, reverse the plug. If it still does not fit, contact a qualified electrician. DO NOT attempt to defeat this safety feature.

SECTION 2—FEATURES



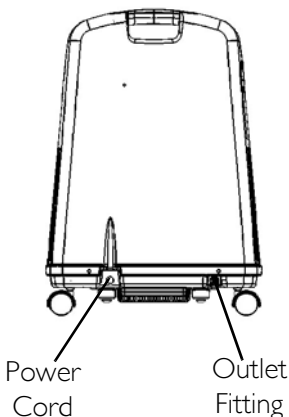
ACCESSORIES (NOT SHOWN):

Remote Humidifier/Flowmeter Accessory - IRCRF5

PreciseRX™ Pediatric Humidifier/Flowmeter Accessory - IRCPF16

Venture® HomeFill II home oxygen compressor - IOH200

REAR VIEW



NOTE: This outlet fitting is to be used only for filling oxygen cylinders with the Venture HomeFill II home oxygen compressor. The outlet fitting does not affect concentrator performance. Refer to the HomeFill II owner's manual, part number 1100873, for connection and operating instructions. When not in use, the plug provided with the concentrator should be inserted into the outlet fitting. For more information about the HomeFill II, contact your Invacare dealer.

SECTION 3—HANDLING

The concentrator should always be kept in the upright position to prevent cabinet damage while being transported. The shipping container has been designed to assure maximum protection of the concentrator.

If the concentrator is to be reshipped by common carrier, additional cartons are available from Invacare.

Unpacking

NOTE: For this procedure, refer to FIGURE 3.1.

1. Check for any obvious damage to the carton or its contents. If damage is evident, notify the carrier, or your local dealer.
2. Remove all loose packing from the carton.
3. Carefully remove all the components from the carton.

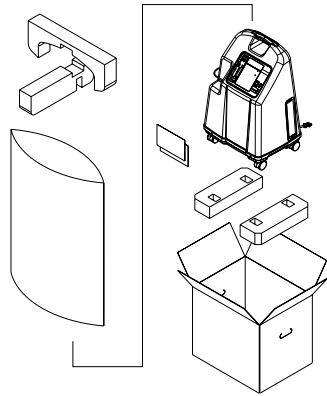


FIGURE 3.1 Unpacking

NOTE: Unless the oxygen concentrator is to be used immediately, retain containers and packing materials for storage until use of the concentrator is required.

Inspection

1. Inspect/examine exterior of the oxygen concentrator for nicks, dents, scratches or other damages. Inspect all components.

Storage

1. Store the repackaged oxygen concentrator in a dry area.
2. DO NOT place objects on top of repackaged concentrator.



SECTION 4—SPECIFICATIONS

Electrical Requirements:	120 VAC \pm 10% (132 VAC/108 VAC), 60 Hz
Rated Current Input:	Platinum 5 and XL: 4.3 A
	Platinum 10: 4.7 A
Sound Level:	Platinum 5 and XL: 50 dB Average
	Platinum 10: 58 dB Average
Altitude:	Platinum 5 and XL - Up to 6,000 ft. (1828 meters) above sea level without degradation of concentration levels. From 6,000 ft. (1828 meters) to 13,129 ft. (4000 meters) below 90% efficiency
	Platinum 10 - Up to 4,000 ft. (1230 meters) above sea level without degradation of concentration levels. From 4,000 ft. (1230 meters) to 13,129 ft. (4000 meters) below 90% efficiency
*Oxygen Output Concentration Levels:	All 5LXO2/5LX models 95.6% to 87% at 0.5 to 5 L/min. and all 10LXO2/10LX models 95.6% to 87% at 2 L to 10 L/min.
Maximum Outlet Pressure:	5 \pm 0.5 psi. (34.5 \pm 3.45 kPa.)


**NOTE: Stated concentration levels achieved after initial warm-up period (approximately 30 minutes).*

SECTION 4—SPECIFICATIONS

5LXO₂ INDICATORS:

Label Symbol	O₂ Purity	Indicator Lights
	SYSTEM FAILURE Below 73%	RED - Continuous Audible Alarm Sieve-GARD™ Compressor Shutdown
	73% to 85%	YELLOW
O₂	SYSTEM OKAY Over 85%	GREEN

5LX INDICATORS:

Label Symbol	Status	Indicator Lights
	SYSTEM FAILURE	RED
I/O	SYSTEM OKAY	GREEN

Flow Range:	Platinum 5 and XL - 0.5 to 5 L/min. For flowrates less than 1 L/min., we recommend the use of the Invacare Pediatric Flowmeter IRCPF16 Accessory.
	Platinum 10 - 2 L/min. to 10 L/min
Low Flow Alarm:	Platinum 5 - 0 L/min. to 0.5 L/min., Platinum 10 - 0 L/min. to 1 L/min. Rapid Audible Alarm Beeping (No Accessories Connected)
Average Power Consumption:	Platinum 5 and XL: 400W Platinum 10: 585W
Pressure Relief Mechanism Operational at:	35 psi ± 3.5 psi (241 kPa ± 24.1 kPa)
Change in maximum recommended flow when back pressure of 7kPa is applied:	0.7 L/min.

SECTION 4—SPECIFICATIONS

Filters:	Cabinet (2), Outlet HEPA and Compressor Inlet.
Safety System:	Current overload or line surge shutdown. High temperature compressor shutdown. High Pressure Alarm w/compressor shutdown. Low Pressure Alarm w/compressor shutdown. Battery Free Power Loss Alarm. SensO ₂ Oxygen System (SensO ₂ Model) Low Flow Alarm.
Width:	18 3/8 in. ± 3/8 in. (46.7 cm ± 1 cm)
Height:	26 3/8 in. ± 3/8 in. (67.0 cm ± 1 cm)
Depth:	14 3/8 in. ± 3/8 in. (36.5 cm ± 1 cm)
Weight:	Platinum 5 and XL: 52 lbs ± 2 lbs (23.6 kg ± 1 kg)
	Platinum 10: 53 lbs ± 2 lbs (24.0 kg ± 1 kg)
Shipping Weight:	Platinum 5 and XL: 58 lbs ± 2 lbs (26.3 kg ± 1 kg)
	Platinum 10: 60 lbs ± 2 lbs (27.2 kg ± 1 kg)
Operating Ambient Temperature:	50°F - 95°F (10°C - 35°C) at 20-60% relative humidity
Exhaust:	Platinum 5 and XL: Less than Ambient + 35°F (+19°C).
	Platinum 10: Less than Ambient + 45°F (+25°C).
Oxygen Output:	Platinum 5 and XL: Less than Ambient + 4°F (+2°C).
	Platinum 10: Less than Ambient + 8°F (+4.4°C).
Cabinet:	Impact Resistant flame-retardant plastic cabinet that conforms to UL 94-V0.
Regulatory Listing:	Double Insulated Product ETL certified complying with UL 1097 ETL certified to CSA C22.2 No. 68
Electrical:	No extension cords.

SECTION 4—SPECIFICATIONS

Placement:	No closer than three (3) inches from any wall, furniture, draperies, or similar surfaces.
Tubing:	7 ft cannula with a maximum 50 ft of Crush-Proof Tubing (DO NOT pinch). Platinum 10: Recommended use up to 25 ft high flow tubing with high flow cannula at all flow rates.
Relative Humidity:	20 to 60%
Time of Operation:	Up to 24 hours per day.
Recommended Storage and Shipping Temperature:	-20°F to 150°F (-29°C to 65°C), at 15-95% relative humidity

NOTES

NOTES

Please Seal with
Tape Before Mailing



REGISTER YOUR PRODUCT!

The benefits of registering:

1. Safeguard your investment.
2. Ensure long term maintenance and servicing of your purchase.
3. Receive updates with product information, maintenance tips, and industry news.
4. Invacare can contact you or your provider, if servicing is needed on your product.
5. It will enable Invacare to improve product designs based on your input and needs.

**Register ONLINE at www.invacare.com
- or -
Complete form and mail.**

Any registration information you submit will be used by Invacare Corporation only, and protected as required by applicable laws and regulations.

PRODUCT REGISTRATION FORM

NAME _____

ADDRESS _____

CITY _____ STATE/PROVINCE _____

ZIP/POSTAL CODE _____

EMAIL _____ PHONE NO. _____

INVACARE MODEL NO. _____

SERIAL NO. _____

PURCHASED FROM _____

DATE OF PURCHASE: _____

1. Method of purchase: (check all that apply)

- Medicare Insurance Medicaid Other

2. This product was purchased for use by: (check one)

- Self Parent Spouse Other

3. Product was purchased for use at:

- Home Facility Other

4. I purchased an Invacare product because:

- Price Features (list features)

5. Who referred you to Invacare products? (check all that apply)

- Doctor Therapist Friend Relative Dealer/Provider Other
 Advertisement (circle one): TV, Radio, Magazine, Newspaper No Referral

6. What additional features, if any, would you like to see on this product?

7. Would you like information sent to you about Invacare products that may be available for a particular medical condition? Yes No

If yes, please list any condition(s) here and we will send you information by email and/or mail about any available Invacare products that may help treat, care for or manage such condition(s):

8. Would you like to receive updated information via email or regular mail about the Invacare home medical products sold by Invacare's dealers? Yes No

9. What would you like to see on the Invacare website?

10. Would you like to be part of future online surveys for Invacare products? Yes
 No

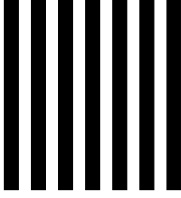
11. User's Year of birth: _____

If at any time you wish not to receive future mailings from us, please contact us at Invacare Corporation, CRM Department, 39400 Taylor Parkway, Elyria, OH 44035, or fax to 877-619-7996 and we will remove you from our mailing list.

TO FIND MORE INFORMATION ABOUT OUR PRODUCTS, VISIT
WWW.INVACARE.COM



NO POSTAGE
NECESSARY
IF MAILED
IN THE
UNITED STATES



BUSINESS REPLY MAIL

FIRST-CLASS MAIL PERMIT NO. 196 ELYRIA OH

POSTAGE WILL BE PAID BY ADDRESSEE

INVACARE CORPORATION
CRM DEPARTMENT
39400 TAYLOR PARKWAY
ELYRIA OH 44035-9836



SECTION 5—OPERATING INSTRUCTIONS

Introduction

Your oxygen concentrator is intended for individual use in the home. It is an electronically operated device that separates oxygen from room air. It provides high concentration of oxygen directly to you through a nasal cannula. Clinical studies have documented that oxygen concentrators are therapeutically equivalent to other types of oxygen delivery systems.

Your provider will show you how to use your oxygen concentrator. He/She should be contacted with any questions or problems regarding your oxygen concentrator. This owner's manual will tell you about your concentrator and will serve as a reference as you use your concentrator.

Select a Location

You may select a room in your house where using your oxygen concentrator would be most convenient. Your concentrator can be easily rolled from room to room on its casters.

Your oxygen concentrator will perform best when operated under the following conditions. Usage in environments other than those described may result in the need for increased equipment maintenance. The air intake of the unit should be located in a well ventilated area to avoid airborne pollutants and/or fumes.

Recommended Guidelines for Optimum Performance

Temperature:	50°F - 95°F (10°C - 35°C)
Electrical:	No extension cords.
Placement:	No closer than three (3) inches from the wall, furniture, draperies, or similar surfaces.
Tubing and Cannula:	7 ft cannula with a maximum 50 ft of Crush-Proof Tubing (DO NOT pinch).
	Platinum 10: Recommended use up to 25 ft high flow tubing with high flow cannula at all flow rates.
Environment:	Smoke and soot-free. No confined spaces (Example: No closets).
Relative Humidity:	20 to 60%
Time of Operation:	Up to 24 hours per day.
Flow Rate	Platinum 5 and XL: From 0.5 L/min. to 5 L/min. For flow rates less than 1 L/min., use the Pediatric Flowmeter Accessory.
	Platinum 10: From 2 L/min. to 10 L/min
Minimum Operating Time:	30 Minutes

NOTE: Ensure that your concentrator is at least three (3) inches away from walls, draperies or furniture to assure sufficient air flow. Avoid deep pile carpets and heaters, radiators or hot air registers.

Plug in Power Cord

1. Plug in power cord to an electrical outlet.

Connect Humidifier (If So Prescribed)

NOTE: For this procedure, refer to FIGURE 5.1 - FIGURE 5.4.

1. Fill humidifier with distilled water to the level indicated by the manufacturer. (For Platinum 5,XL - recommended humidifiers are: Invacare 3260, 003-40, or 006-40).

⚠ WARNING

DO NOT overfill humidifier.

Replace the humidifier cap and securely tighten.

DO NOT reverse the oxygen input and output connections. Water from the humidifier bottle will travel through the cannula back to the patient.

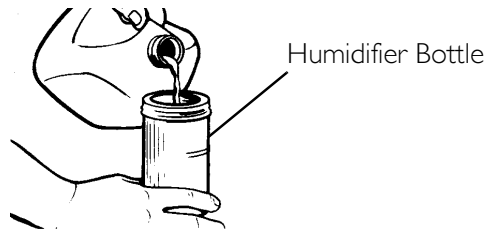


FIGURE 5.1 Filling the Humidifier

2. Place the humidifier bottle in the humidifier compartment.

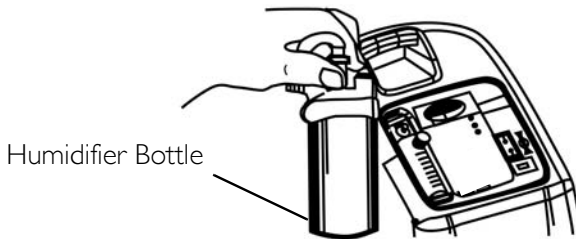


FIGURE 5.2 Humidifier Compartment

3. Remove the filter access door located on the side of the concentrator. Insert a flathead screwdriver in the plate groove on the top edge of the filter access door and gently pry the filter access door open. Refer to Detail "A" in FIGURE 5.3.

4. The humidifier adapter is next to the inlet filter. Pull up and remove the humidifier bottle adapter. Refer to Detail “B” in FIGURE 5.3.
5. Attach it to the humidifier by turning the wing nut on the humidifier bottle counterclockwise until it is securely fastened. Refer to Detail “C” in FIGURE 5.3.

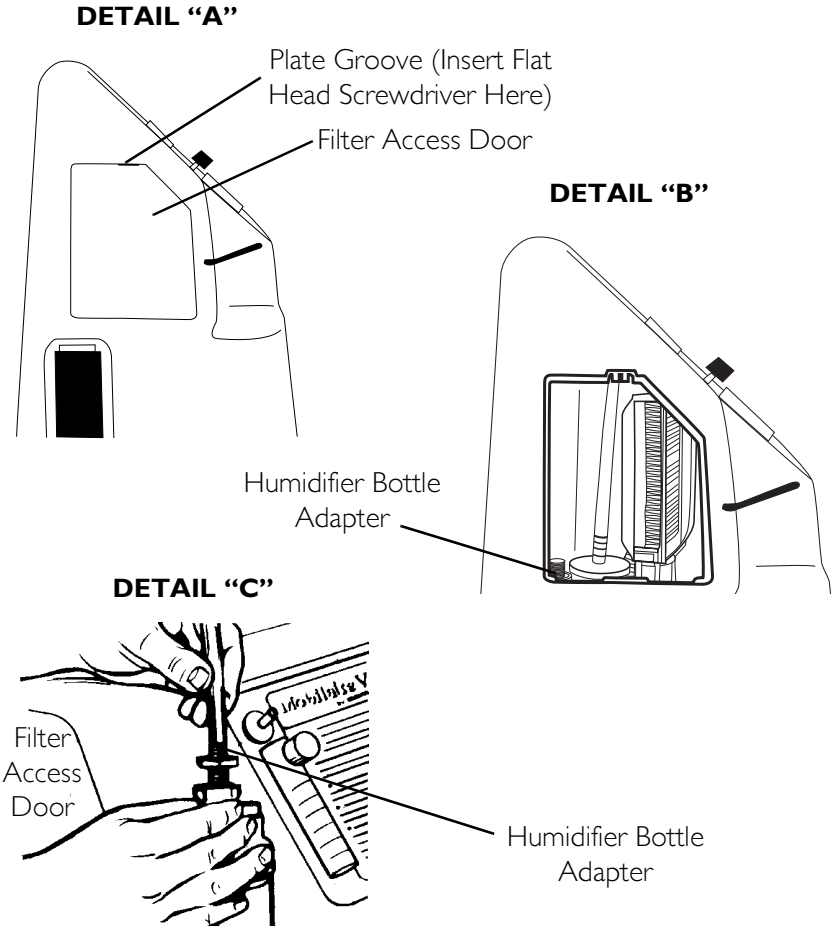


FIGURE 5.3 Attaching the Humidifier Bottle Adapter

6. Attach oxygen tubing from the humidifier bottle to oxygen outlet connector on the oxygen concentrator.

7. Attach the cannula/patient supply tubing to the humidifier bottle outlet.
8. After assembly, ensure that oxygen is flowing through the cannula.

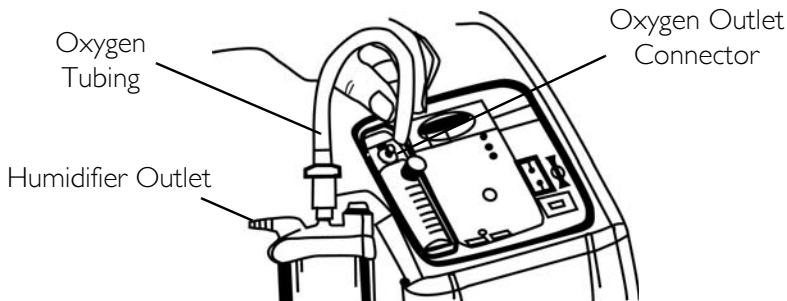


FIGURE 5.4 Attaching the Oxygen Tubing

⚠ WARNING

For optimum performance, Invacare recommends that each concentrator be on and running for a minimum of 30 minutes at a time. Shorter periods of operation may reduce maximum product life.

Power Switch

NOTE: For this procedure, refer to FIGURE 5.5.

1. Press power switch to on position. All the panel lights and the audible alarm will come on for one second, indicating that the unit is functioning properly. After one second, only the GREEN system ok/power light will stay on.

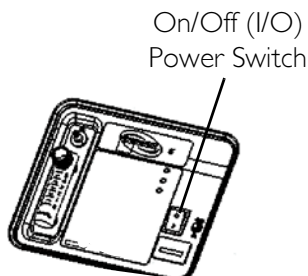


FIGURE 5.5 Power Switch

Flowrate

NOTE: For this procedure, refer to FIGURE 5.6.

1. Turn the flowrate knob to the setting prescribed by your physician or therapist.

⚠ WARNING

DO NOT change the L/min. setting on the flowmeter unless a change has been prescribed by your physician or therapist.

NOTE: To properly read the flowmeter, locate the prescribed flowrate line on the flowmeter. Next, turn the flow knob until the ball rises to the line. Now, center the ball on the L/min. line prescribed.

2. If the flowrate on the flowmeter ever falls below 0.5 L/min. for Platinum 5 (1 L/min. for Platinum 10) for more than about one minute, the LOW FLOW alarm will be triggered. This is a rapid beeping of the audible alarm. Check your tubing or accessories for blocked or kinked tubing or a defective humidifier bottle. After rated flow is restored, more than 0.5 L/min. for Platinum 5 (1 L/min. for Platinum 10), the LOW FLOW audible alarm will go off.

NOTE: The use of some accessories such as the pediatric flowstand and the HomeFill II compressor will deactivate the Low Flow Alarm.

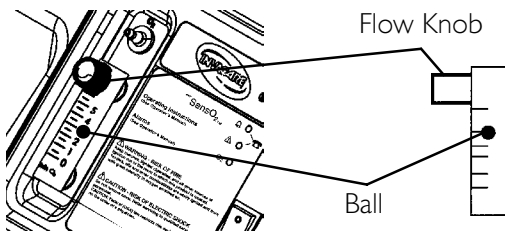


FIGURE 5.6 Flowrate

SensO₂ Oxygen Purity Indicator (If Your Unit Features the O₂ Sensor Feature)

This feature monitors the purity of oxygen generated by the oxygen concentrator. If purity falls below factory preset standards, indicator lights on the control panel will illuminate.

Initial Startup of the Concentrator

NOTE: Concentrator may be used during the initial start warm-up time (approximately 30 min.) while waiting for the O₂ purity to reach maximum.

When the unit is turned on, the GREEN light will come on (SYSTEM OK/O₂ greater than 85%). After five (5) minutes, the oxygen sensor will be operating normally and will control the indicator lights depending on oxygen concentration values.

Explanation of Oxygen Purity Indicator Lights

NOTE: For this procedure, refer to FIGURE 5.7.

GREEN light (O₂) - Normal Operation.

YELLOW light (⚠) - Call supplier IMMEDIATELY. You may continue to use the concentrator unless instructed otherwise by your supplier. Be certain that backup oxygen is nearby.

RED light (⚡) - Total unit shutdown. Switch IMMEDIATELY to backup oxygen supply. Call supplier IMMEDIATELY.

GREEN light - with YELLOW light flashing - Call supplier IMMEDIATELY. Oxygen sensor malfunctioning; you may continue to use the concentrator.

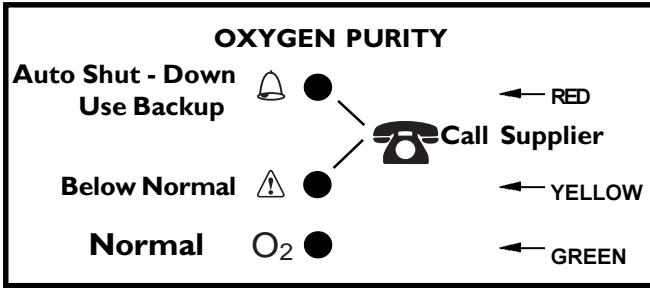


FIGURE 5.7 SensO₂ Oxygen Purity Indicator (If Your Unit Features the O₂ Sensor Feature)

Indicators (If Your Unit Does Not Feature the O₂ Sensor)

NOTE: For this procedure, refer to FIGURE 5.8.

LX models indicator Light Explanation

RED light (Δ) - Total Unit Shut-Down. Switch immediately to a back-up oxygen supply. Call supplier IMMEDIATELY.

GREEN light (I/O) - On/Off. System okay.

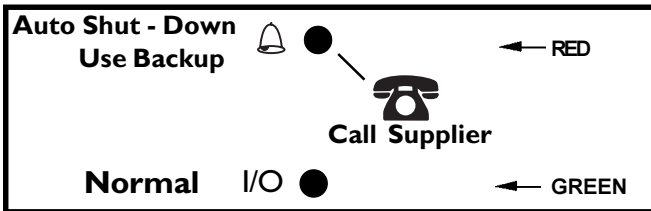


FIGURE 5.8 Indicators (If Your Unit Does Not Feature the O₂ Sensor)

SECTION 6—MAINTENANCE

NOTE: The Invacare concentrators are specifically designed to minimize routine preventive maintenance. In places with high dust or soot levels, maintenance may need to be performed more often. Only authorized or factory-trained personnel should perform preventive maintenance on the concentrator. Power should be disconnected before beginning preventive maintenance on the Invacare concentrator.

NOTE: At a minimum, preventive maintenance MUST be performed according to the maintenance record guidelines. Refer to Preventive Maintenance Record on page 31.

Routine Maintenance

NOTE: The following routine maintenance should be performed more frequently. See recommended intervals in each section and preventive maintenance record.

Cleaning the Cabinet Filter

NOTE: For this procedure, refer to FIGURE 6.1.

NOTE: There are two (2) cabinet filters one (1) located on each side of the cabinet.

1. Remove each filter and clean at least once a week depending on environmental conditions.

NOTE: Environmental conditions that may require more frequent cleaning of the filters include but are not limited to: high dust, smoking, air pollutants, etc.

2. Clean the cabinet filters with a vacuum cleaner or wash in warm soapy water and rinse thoroughly.
3. Dry the filters thoroughly before reinstallation.

CAUTION

DO NOT operate the concentrator without the filters installed.

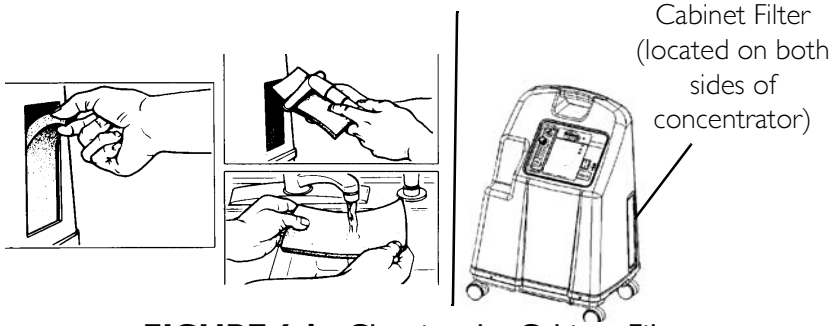


FIGURE 6.1 Cleaning the Cabinet Filter

Cabinet

⚠ WARNING

UNPLUG the concentrator when cleaning. To avoid electrical shock, **DO NOT** remove cabinet.

1. Clean the cabinet with a mild household cleaner and non-abrasive cloth or sponge.

Humidifier

NOTE: To clean the oxygen humidifier, follow the instructions provided by the manufacturer. If none are provided, follow these steps:

1. Clean the humidifier every day.
2. Wash it in soapy water and rinse it with a solution of ten (10) parts water and one (1) part vinegar.
3. Rinse thoroughly with hot water and refill with distilled water to the level shown on the humidifier.

SECTION 7—TROUBLESHOOTING GUIDE

SYMPTOM:	PROBABLE CAUSE:	SOLUTION:
Alarm:	Main Power Loss:	1. Insert plug into outlet.
SHORT BEEPS, LONG PAUSE	1. Power cord NOT plugged in.	2. Inspect house circuit breakers or fuses. If problem recurs, use a different outlet.
Concentrator NOT operating, power switch ON.	2. No power at outlet.	3. Call Service Provider.
Beep.....Beep.....	3. Tripped circuit breaker.	
Alarm: CONTINUOUS Concentrator NOT operating, Power Switch ON. Beeeeeeep....	System Failure: 1. Unit overheating due to blocked air intake. 2. Insufficient power at outlet. 3. Internal repairs required	1a. Remove and clean cabinet filters. 1b. Move oxygen concentrator at least three (3) inches away from walls, draperies or furniture. 2. Do not use extension cords. Move to another electrical outlet or circuit. 3. Call Service Provider.

SECTION 7—TROUBLESHOOTING GUIDE

SYMPTOM:	PROBABLE CAUSE:	SOLUTION:
<p>YELLOW or RED LIGHT Illuminated.</p> <p>Alarm: CONTINUOUS On red light only.</p> <p>* Only applies to 5LXO₂ and 10LXO₂ SensO₂ models.</p>	<ol style="list-style-type: none"> 1. Low oxygen purity.* 2. Kinked or blocked tubing, cannula or humidifier.* 3. Flowmeter set at 0.5 L/min. for Platinum 5 and 1 L/min. for Platinum 10 or less.* 4. Unit overheating due to blocked air intake. 5. Insufficient power at outlet. 6. Internal repairs required. 	<ol style="list-style-type: none"> 1. Clean or Replace filters. 2. Inspect for kinks or blockages. Correct, clean or replace item. Once corrected, turn power OFF for 60 seconds and then turn power back ON. 3. Check flowmeter is set to 1.0 L/min. or more. (Refer to Recommended Guidelines for Optimum Performance on page 22. 4.a. Remove and clean cabinet filters. 4b. Move concentrator at least three (3) inches from walls, draperies, and furniture. 5. Do not use extension cords. Move to another electrical outlet or circuit. 6. Call Service Provider.
<p>GREEN LIGHT with YELLOW Light Flashing.</p>	<ol style="list-style-type: none"> 1. Internal repairs required. 	<ol style="list-style-type: none"> 1. Call Service Provider.

SECTION 7—TROUBLESHOOTING GUIDE

SYMPTOM:	PROBABLE CAUSE:	SOLUTION:
<p>Alarm: RAPID</p> <p>Beep....Beep... Beep...Beep</p>	<p>LOW FLOW ALARM</p> <p>Ia. Kinked or blocked tubing, cannula or humidifier.</p> <p>Ib. Flowmeter set at 0.5 L/min. for Platinum 5 and 1 L/min. for Platinum 10 or less.</p>	<p>Ia. Inspect for kinks or blockages. Correct, clean or replace item. Once corrected, turn power OFF for 60 seconds and then turn power back ON.</p> <p>Ib. Reset flowmeter to prescribed flowrate. If prescribed flowrate is below 0.5 L/min., use the Pediatric Flowmeter IRCPF16.</p>

LIMITED WARRANTY

NOTE: THE WARRANTY BELOW HAS BEEN DRAFTED TO COMPLY WITH FEDERAL LAW APPLICABLE TO PRODUCTS MANUFACTURED AFTER JULY 4, 1975.

This warranty is extended only to original purchaser of our products. This warranty gives you specific legal rights and you may also have other legal rights which may vary from state to state.

Invacare Corporation warrants its Platinum Oxygen Concentrator to be free from defects in materials and workmanship from date of purchase: Platinum 5 and XL for a period of five (5) years, Platinum 10 for a period of three (3) years. The 4-way valve body carries a lifetime warranty from date of purchase. **DO NOT** open or **ATTEMPT TO** service valve body. This will void any and all warranty applicable to the valve body. If within such warranty period any such product shall be proven to Invacare Corporation's satisfaction to be defective, such product shall be repaired or replaced, at Invacare Corporation's option. This warranty only applies to the labor for repairs performed by the Invacare Service Department or Invacare Service Centers. It does not apply to the labor performed by the purchaser or user. This warranty does not include normal wear and tear or shipping charges. Invacare Corporation's sole obligation and your exclusive remedy under this warranty shall be limited to such repair or replacement. Routine maintenance items, such as filters, are excluded from this warranty.

For warranty service, please contact Invacare Corporation's service department at the toll free number on the back cover.

Upon receiving notice of an alleged defect in a product, Invacare Corporation will issue a serialized return authorization. It shall then be the responsibility of the purchaser to return the entire unit or remove, at purchaser's cost, the defective component part(s) identified, pack the component part(s) in a manner to avoid shipping damage and to ship the component part(s) to either Invacare Corporation's plant or service center as specified by Invacare Corporation in advance. Defective component part(s) must be returned for warranty inspection using the serial number as identification within thirty (30) days of return authorization date. Do not return products to our factory without prior consent. C.O.D. shipments will be refused; please prepay shipping charges.

LIMITATIONS AND EXCLUSIONS: THE FOREGOING WARRANTY SHALL NOT APPLY TO PRODUCTS SUBJECTED TO NEGLIGENCE, ACCIDENT, IMPROPER OPERATION, MAINTENANCE OR STORAGE, SOOT OR SMOKE-FILLED ENVIRONMENTS, OR OTHER THAN NORMAL APPLICATION, USE OR SERVICE, OR TO PRODUCTS MODIFIED WITHOUT INVACARE CORPORATION'S EXPRESS WRITTEN CONSENT (INCLUDING, BUT NOT LIMITED TO, MODIFICATION THROUGH THE USE OF UNAUTHORIZED PARTS OR ATTACHMENTS) OR TO PRODUCTS

DAMAGED BY REASON OF REPAIRS MADE TO ANY COMPONENT WITHOUT THE SPECIFIC CONSENT OF INVACARE CORPORATION OR TO PRODUCTS DAMAGED BY CIRCUMSTANCES BEYOND INVACARE CORPORATION'S CONTROL. THE FOREGOING EXPRESS WARRANTY IS EXCLUSIVE AND IN LIEU OF ANY OTHER WARRANTIES WHATSOEVER, WHETHER EXPRESS OR IMPLIED, INCLUDING THE IMPLIED WARRANTIES OF MERCHANTABILITY AND FITNESS FOR A PARTICULAR PURPOSE, AND THE SOLE REMEDY FOR VIOLATIONS OF ANY WARRANTY WHATSOEVER, SHALL BE LIMITED TO REPAIR OR REPLACEMENT OF THE DEFECTIVE PRODUCT PURSUANT TO THE TERMS CONTAINED HEREIN. THE APPLICATION OF ANY IMPLIED WARRANTY WHATSOEVER SHALL NOT EXTEND BEYOND THE DURATION OF THE EXPRESS WARRANTY PROVIDED HEREIN. INVACARE SHALL NOT BE LIABLE FOR ANY CONSEQUENTIAL OR INCIDENTAL DAMAGES WHATSOEVER.

SOME STATES DO NOT ALLOW THE EXCLUSION OR LIMITATION OF INCIDENTAL OR CONSEQUENTIAL DAMAGE, OR LIMITATION OF HOW LONG AN IMPLIED WARRANTY LASTS, SO THE ABOVE EXCLUSION AND LIMITATION MAY NOT APPLY TO YOU.

THIS WARRANTY SHALL BE EXTENDED TO COMPLY WITH STATE/PROVINCIAL LAWS AND REQUIREMENTS.

This product may be manufactured under one or more of the following patents: US 5,906,672 and US 5,917,135. Other patents pending.



Yes, you can.™

Invacare Corporation

USA
One Invacare Way
Elyria, Ohio USA
44036-2125
800-333-6900
Technical Services
800-832-4707

www.invacare.com

Invacare, Yes, you can., SensO₂,
Venture and the Medallion Design are
registered trademarks of Invacare
Corporation.
Platinum, HomeFill and Precise R_x are
trademarks of Invacare Corporation.
© 2005 Invacare Corporation

Part No. 1118353 Rev E - 09/05
Asm. No. 1106664

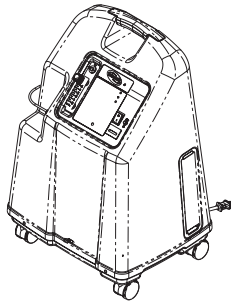
Operator's Manual

Platinum™ Series

XL, 5, 10



Oxygen Concentrators Standard, ^{with}/SensO₂® and
HomeFill™ II



PART TWO

HomeFill II Connection and Use with the Concentrator

Invacare 5
Model IRC5LX

Invacare 5^{with}/SensO₂
Model IRC5LX02

Invacare 10
Model IRC10LX

Invacare 10^{with}/SensO₂
Model IRC10LX02

User: Before using the product, read this manual and save for future reference.

Dealer: This manual MUST be given to the end user.

For more information regarding
Invacare products, parts, and services,
please visit www.invacare.com



Yes, you can.

⚠ WARNING

DO NOT OPERATE THIS EQUIPMENT WITHOUT FIRST READING AND UNDERSTANDING THIS MANUAL. IF YOU ARE UNABLE TO UNDERSTAND THE WARNINGS, CAUTIONS, AND INSTRUCTIONS, CONTACT INVACARE TECHNICAL SERVICES BEFORE ATTEMPTING TO USE THIS EQUIPMENT - OTHERWISE, SERIOUS INJURY OR PROPERTY DAMAGE MAY RESULT.

ACCESSORIES

There are many different types of humidifiers, oxygen tubing, cannulas and masks that can be used with this device. You should contact your local home care provider for recommendations on which of these devices will be best for you. They should also give you advice on the proper usage, maintenance, and cleaning.

⚠ WARNING

Invacare products are specifically designed and manufactured for use in conjunction with Invacare accessories. Accessories designed by other manufacturers have not been tested by Invacare and are not recommended for use with Invacare products.

NOTICE

The information contained in this document is subject to change without notice.

NOTE: Updated versions of this manual are available on www.invacare.com.

TABLE OF CONTENTS

ACCESSORIES	2
SPECIAL NOTES	4
HOMEFILL II INFORMATION	5
SECTION 1—GENERAL GUIDELINES	7
Handling.....	9
SECTION 2—INITIAL SETUP	10
Compressor Initial Setup Checklist	10
Choosing a Location.....	10
Transporting the Compressor	10
Installing the Power Cord	11
Connecting the Compressor to the Concentrator	12
SECTION 3—COMPRESSOR OPERATION	19
Compressor Operation Checklist.....	19
Cylinder Prefill Inspection	19
Connecting/Disconnecting the Cylinder to the Compressor.....	22
Turning the Compressor On	26
Setting the Flow Knob to the Prescribed Setting	28
CONCENTRATOR WARRANTY	30

SPECIAL NOTES

Signal words are used in this manual and apply to hazards or unsafe practices which could result in personal injury or property damage. Refer to the following table for definitions of the signal words.

SIGNAL WORD	MEANING
DANGER	Danger indicates an imminently hazardous situation which, if not avoided, will result in death or serious injury.
WARNING	Warning indicates a potentially hazardous situation which, if not avoided, could result in death or serious injury.
CAUTION	Caution indicates a potentially hazardous situation which, if not avoided, may result in property damage.

DANGER

Users MUST NOT SMOKE while using this device. Keep all matches, lighted cigarettes or other sources of ignition out of the room in which this product is located. NO SMOKING signs should be prominently displayed. Textiles and other materials that normally would not burn are easily ignited and burn with great intensity in oxygen enriched air. Failure to observe this warning can result in severe fire, property damage and cause physical injury or death.

HOMEFILL II INFORMATION

HomeFill II is an accessory device to the oxygen concentrator that enables the patient to refill custom portable oxygen cylinders for personal use.

⚠ WARNING

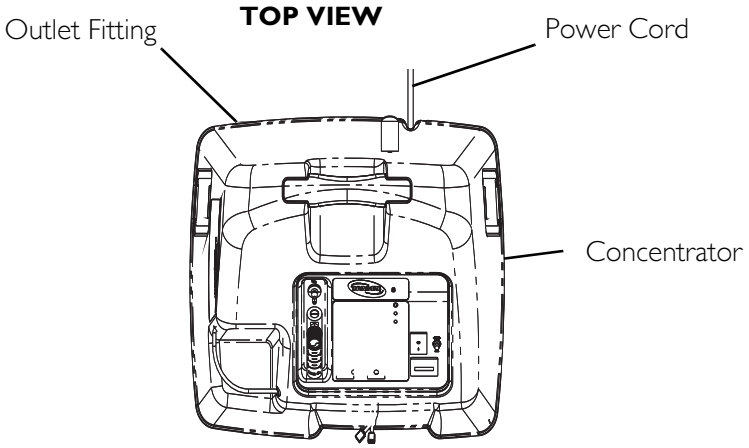
DO NOT install, assemble or operate the HomeFill II compressor without first reading and understanding the compressor owner's manual, the concentrator owner's manual, and the oxygen cylinder warning label. If you are unable to understand the warnings, cautions and instructions, contact a dealer or technical personnel if applicable before attempting to install this equipment - otherwise, injury or damage may occur.

Check all parts for shipping damage. In case of damage, **DO NOT** use. Contact Invacare for further instruction.

NOTICE

The HomeFill II compressor is for use with specially designed Invacare Platinum 5, 10 and XL HomeFill II compatible concentrators.

The concentrator can be set to the following maximum flowrates when operating with HomeFill II compressor: Platinum 5 and XL: 3 L/min. or less. Platinum 10: 5 L/min. or less. To determine if your concentrator is HomeFill II compatible, examine the lower right corner of the rear of the concentrator for an outlet fitting, refer to illustration on next page.



SECTION I—GENERAL GUIDELINES

WARNING

SECTION I - IMPORTANT SAFEGUARDS contains important information for the safe operation and use of this product. **DO NOT** use this product or any available optional equipment without first completely reading and understanding these instructions and any additional instructional material such as **Owner's Manuals, Service Manuals or Instruction Sheets** supplied with this product or optional equipment. If you are unable to understand the **Warnings, Cautions or Instructions**, contact a health care professional, dealer or technical personnel before attempting to use this equipment - otherwise, injury or damage may occur.

NOTICE

Refer to HomeFill II Compressor Owner's Manual, I100873, for detailed information on all warnings, use, care and maintenance of the HomeFill II compressor.

In order to ensure the safe installation, assembly and operation of the HomeFill II Compressor these instructions must be followed.

“Caution: Federal law restricts this device to sale by or on order of a physician, or any other practitioner licensed by the law of the State in which he/she practices to use or order the use of this device.”

WARNING

The use of this device is limited to the oxygen patient. Cylinders **MUST** be used **ONLY** by the oxygen patient and are not to be distributed to any other individual for any purpose.

⚠ WARNING

The maximum patient flow while filling cylinders with the IOH200 is 3 L/min for Platinum 5 and XL, 5 L/min. for Platinum 10. Patients with a higher prescribed flow should not transfill while receiving supplemental oxygen treatment from the Platinum Concentrator.

NEVER block the air openings of the product or place it on a soft surface, such as a bed or couch, where the air opening may be blocked. Keep the openings free from lint, hair and the like.

DO NOT disassemble. There are minimal serviceable parts on the HomeFill II Compressor. If any service is required, contact Invacare Technical Service.

DO NOT allow oil from your hands or other source to come into contact with the regulator or cylinder valve connection. These solutions may be flammable and cause injury.

The HomeFill II is equipped with a high pressure relief valve to ensure the user's safety. When activated, this safety feature will make an extremely loud noise. If this noise occurs, turn the unit off and contact your Home Health Care Provider or Service Representative.

Before moving or repositioning either the compressor or concentrator, always disconnect the AC power cords and the interconnect hose between the compressor and concentrator. Failure to do so may result in damage to the unit or personal injury.

Children should always be supervised around the HomeFill II unit. When used with the HomeFill table or similar elevated support surfaces, a child could pull over any such table causing the unit to fall. Failure to observe this warning may result in personal injury or product damage.

⚠ WARNING

Handling

Use extreme care when handling and filling an oxygen cylinder. Full oxygen cylinders are under pressure and can become a projectile if dropped or mishandled.

NEVER transport a compressor with a cylinder connected to or stored on the compressor, otherwise injury or damage can occur.

DO NOT store filled oxygen bottles near a furnace, hot water tank, in the trunk of a car or other high temperature area. Storage in areas such as this can result in bursting of the bottle or fire.

SECTION 2—INITIAL SETUP

NOTE: Dealers Only - Refer to Dealer Information in Owner's Manual, part number 1100873, before performing this procedure.

Compressor Initial Setup Checklist

Before operating the HomeFill II Compressor for the first time, complete the following checklist:

- Choose a location for the compressor.
- Transport the compressor to the desired location.
- Connect the power cord to the compressor.
- Connect the compressor to the concentrator.

Choosing a Location

The compressor should be at least three (3) inches away from walls, draperies or furniture to ensure sufficient air flow.

Avoid placing the compressor next to heaters, radiators or hot air registers.

Do not use in a closet.

The compressor should sit on a hard flat stable surface, such as a table.

Transporting the Compressor

⚠ WARNING

NEVER transport a compressor with a cylinder connected to or stored on the compressor, otherwise injury or damage can occur.

CAUTION

When transporting the compressor, be careful not to bump the compressor or the connectors into obstacles. Otherwise, damage to the compressor may occur.

NOTE: For this procedure, refer to FIGURE 2.1.

1. There are two (2) methods to safely transport the compressor:
 - A. One hand - Grasp the hand grip at the bottom rear of the compressor.
 - B. Two hands - Grasp the hand grips on the sides of the compressor.

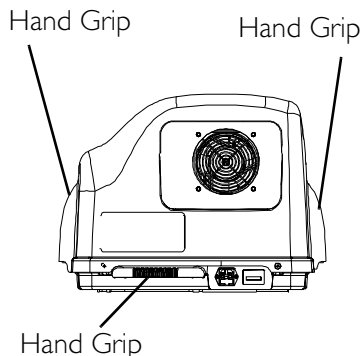
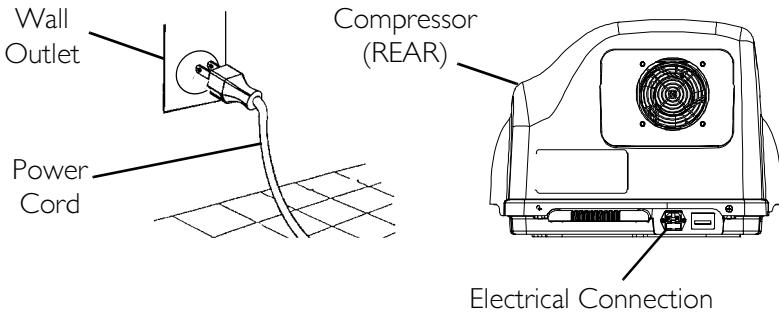


FIGURE 2.1 Transporting the Compressor

Installing the Power Cord

NOTE: For this procedure, refer to FIGURE 2.2.

1. Ensure the compressor is on a hard flat stable surface, such as a table.
2. Plug the power cord into the electric connector in the back of the compressor.
3. Plug the opposite end of the power cord into the wall outlet.



NOTE: This product has a polarized plug (one blade is wider than the other). As a safety feature, this plug will fit in a polarized outlet only one way. If the plug does not fit fully in the outlet, reverse the plug. If it still does not fit, contact a qualified electrician. DO NOT attempt to defeat this safety feature.

FIGURE 2.2 Installing the Power Cord

Connecting the Compressor to the Concentrator

NOTE: For this procedure, refer to FIGURE 2.3.

1. Insert one (1) end of the interconnect hose into the outlet fitting on the back of the concentrator (Detail "A").
2. Insert the opposite end of the interconnect hose into the inlet fitting on the side of the compressor (Detail "B").

NOTE: The metal tabs on the concentrator outlet fitting and the compressor inlet fitting will pop out with an audible "click" when the end of the interconnect hose is properly installed (Detail "C").

3. Loop any excess interconnect hose and secure to the back of the concentrator with the fastening straps (not shown).

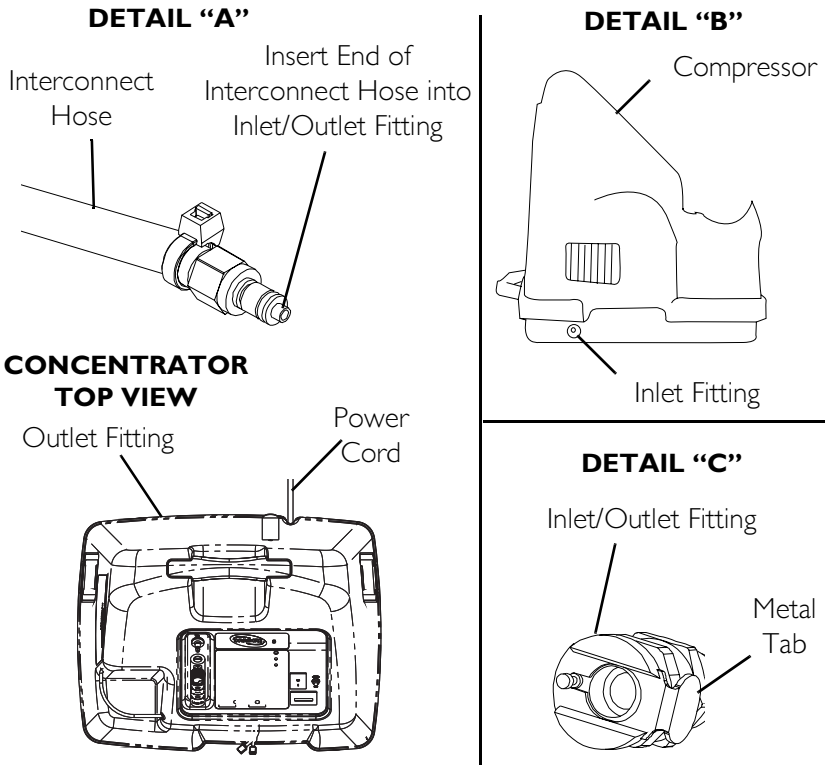


FIGURE 2.3 Connecting the Compressor to the Concentrator

NOTES

Please Seal with
Tape Before Mailing



REGISTER YOUR PRODUCT!

The benefits of registering:

1. Safeguard your investment.
2. Ensure long term maintenance and servicing of your purchase.
3. Receive updates with product information, maintenance tips, and industry news.
4. Invacare can contact you or your provider, if servicing is needed on your product.
5. It will enable Invacare to improve product designs based on your input and needs.

**Register ONLINE at www.invacare.com
- or -
Complete form and mail.**

Any registration information you submit will be used by Invacare Corporation only, and protected as required by applicable laws and regulations.

PRODUCT REGISTRATION FORM

NAME _____

ADDRESS _____

CITY _____ STATE/PROVINCE _____

ZIP/POSTAL CODE _____

EMAIL _____ PHONE NO. _____

INVACARE MODEL NO. _____

SERIAL NO. _____

PURCHASED FROM _____

DATE OF PURCHASE: _____

1. Method of purchase: (check all that apply)

- Medicare Insurance Medicaid Other

2. This product was purchased for use by: (check one)

- Self Parent Spouse Other

3. Product was purchased for use at:

- Home Facility Other

4. I purchased an Invacare product because:

- Price Features (list features)

5. Who referred you to Invacare products? (check all that apply)

- Doctor Therapist Friend Relative Dealer/Provider Other
 Advertisement (circle one): TV, Radio, Magazine, Newspaper No Referral

6. What additional features, if any, would you like to see on this product?

7. Would you like information sent to you about Invacare products that may be available for a particular medical condition? Yes No

If yes, please list any condition(s) here and we will send you information by email and/or mail about any available Invacare products that may help treat, care for or manage such condition(s):

8. Would you like to receive updated information via email or regular mail about the Invacare home medical products sold by Invacare's dealers? Yes No

9. What would you like to see on the Invacare website?

10. Would you like to be part of future online surveys for Invacare products? Yes No

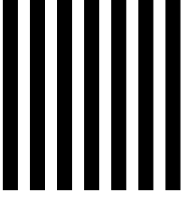
11. User's Year of birth: _____

If at any time you wish not to receive future mailings from us, please contact us at Invacare Corporation, CRM Department, 39400 Taylor Parkway, Elyria, OH 44035, or fax to 877-619-7996 and we will remove you from our mailing list.

TO FIND MORE INFORMATION ABOUT OUR PRODUCTS, VISIT
WWW.INVACARE.COM



NO POSTAGE
NECESSARY
IF MAILED
IN THE
UNITED STATES



BUSINESS REPLY MAIL

FIRST-CLASS MAIL PERMIT NO. 196 ELYRIA OH

POSTAGE WILL BE PAID BY ADDRESSEE

INVACARE CORPORATION
CRM DEPARTMENT
39400 TAYLOR PARKWAY
ELYRIA OH 44035-9836



SECTION 3—COMPRESSOR OPERATION

Compressor Operation Checklist

NOTE: For this procedure, refer to FIGURE 3.1.

Each time the HomeFill II Compressor is used to fill a cylinder, complete the following checklist:

- Ensure the concentrator has been on for at least thirty (30) minutes. Refer to the concentrator Owner's Manual, Part One.
- Perform the prefill inspection on the cylinder.
- Connect the cylinder to the compressor.
- Turn the compressor on.
- Examine the indicator lights on the control panel.
- Disconnect and remove the full cylinder.
- Turn the compressor off.
- If filling another cylinder, repeat this checklist.

Cylinder Prefill Inspection

WARNING

ONLY use cylinders that have the Invacare HomeFill II connection and the label shown in FIGURE 3.1.

All cylinders MUST be inspected before attempting to fill. Otherwise, injury or damage may occur.

The Hydrostatic Testing Date

Aluminum cylinders **MUST** undergo testing every five (5) years.

⚠ WARNING

DO NOT fill cylinders that have not been tested in the past five (5) years. Otherwise, serious personal may result. Contact your dealer for replacement.

External Examination

1. Examine the outside of the cylinder for the following conditions, and replace the cylinder if they exist:
 - Dents or dings
 - Arc burns
 - Oil or grease
 - Any other signs of damage that might cause a cylinder to be unacceptable or unsafe for use.
2. Examine the cylinder for evidence of fire or thermal damage. Evidence includes charring or blistering of the paint, or other protective coating or heat sensitive indicator. If fire or thermal damage is found, replace the cylinder.
3. Inspect the regulator assembly for the following, and replace if found:
 - Debris, oil or grease
 - Noticeable signs of damage
 - Signs of corrosion inside the valve
 - Signs of excessive heat or fire damage

⚠ DANGER

Improper filling or abuse of this cylinder, or failure to follow these safety instructions may cause serious bodily injury or death. High pressure oxidizing gas vigorously accelerates combustion.

DO NOT alter or modify cylinder or related components.
DO NOT use Oil or Grease. Keep cylinder, cylinder valve, all equipment and connections free of oil and grease to avoid violent ignition resulting in serious bodily injury or death.

⚠ WARNING

For medical applications. Use only as directed by a licensed practitioner. Uninterrupted use of high concentrations of oxygen over a long duration, without monitoring its effect on oxygen content of arterial blood, may be harmful.

Oxygen Cylinders filled by the Venture HomeFill shall be used for personal use only. "Not to be filled for resale or use by professional users".

This cylinder is to be used with the Invacare Venture HomeFill system. This cylinder contains $93 \pm 3\%$ oxygen produced by an oxygen concentrator using the pressure swing adsorption process.

DO NOT handle cylinder or use contents until you are professionally trained, including emergency procedures.

Use in accordance with Venture HomeFill Operator's Manual. Open valve slowly. Close valve after each use and when empty. Secure cylinder during storage and use. No smoking in cylinder area. Keep away from heat, flame and spark. Keep out of reach of children. DO NOT drop.


Transfilling of this gas is performed by Venture HomeFill Only.

Cylinders that have been refinished and/or exposed to elevated temperatures must be hydrostatically tested before filling. Cylinder temperature should not exceed 125°F (52°C). Aluminum cylinders subject to the action of fire or heated to temperatures in excess of 350°F must be withdrawn from service and condemned by trained personnel. DO NOT use caustic paint strippers. Valve and safety relief devices must be removed and replaced by trained and authorized personnel. DO NOT alter or change valve assembly.

Invacare Corporation
2101 E. Lake Mary Blvd.
Sanford, FL 32773
1-800-832-4707

**DO NOT REMOVE THIS PRODUCT LABEL
Not for Commercial Resale**

Part Number 1125090 Rev B - 11/04


FIGURE 3.1 Cylinder Prefill Inspection

Connecting/Disconnecting the Cylinder to the Compressor

Connecting the Cylinder to the Compressor

⚠ WARNING

DO NOT modify **ANY** connections on the HomeFill II compressor. **NEVER** use tools of any kind to connect/disconnect the cylinder and the compressor. **Otherwise, severe injury and/or damage may occur.**

DO NOT drop oxygen cylinders. Use both hands when handling/transporting oxygen cylinders. **Otherwise, injury or damage may occur.**

DO NOT use a liquid leak detector to test for leaks.

NOTE: For this procedure, refer to FIGURE 3.2 and FIGURE 3.3.

1. Examine the cylinder gauge. If the cylinder pressure is **less** than 1500 psig., proceed to STEP 2 (FIGURE 3.3).

*NOTE: If the cylinder pressure is **greater** than 1500 psig., DO NOT attempt to top off this cylinder. It may not fill.*

2. Set the regulator flow dial on the cylinder to Off (FIGURE 3.3).
 3. Remove the cylinder and connector fillport covers (if present).
-

CAUTION

DO NOT connect the outlet (cannula) connection to the HomeFill II unit, otherwise the conserving cylinder will not work properly.

4. Momentarily push **DOWN** on the outer ring (sleeve) of the connector fillport to reset the connector as shown in FIGURE 3.2.
-

NOTE: If the outer ring (sleeve) is in the UP position (GREEN dots not visible), the connector fillport will not be able to accept the cylinder fillport. Pushing DOWN momentarily will reset the connector fillport (GREEN dots visible) to accept the cylinder fillport.

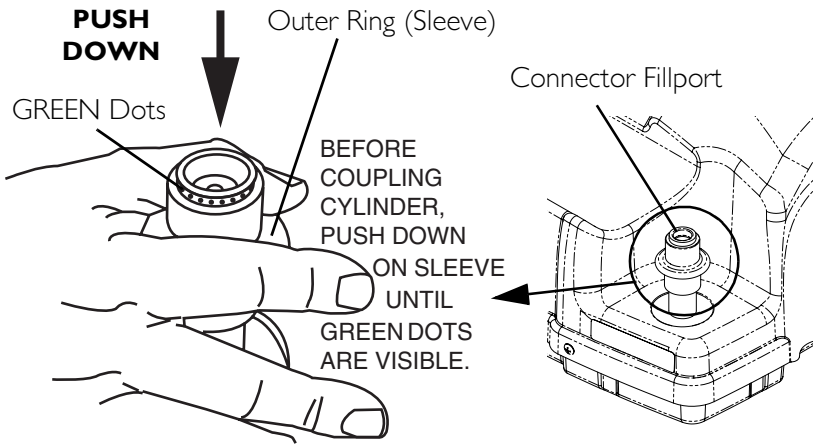
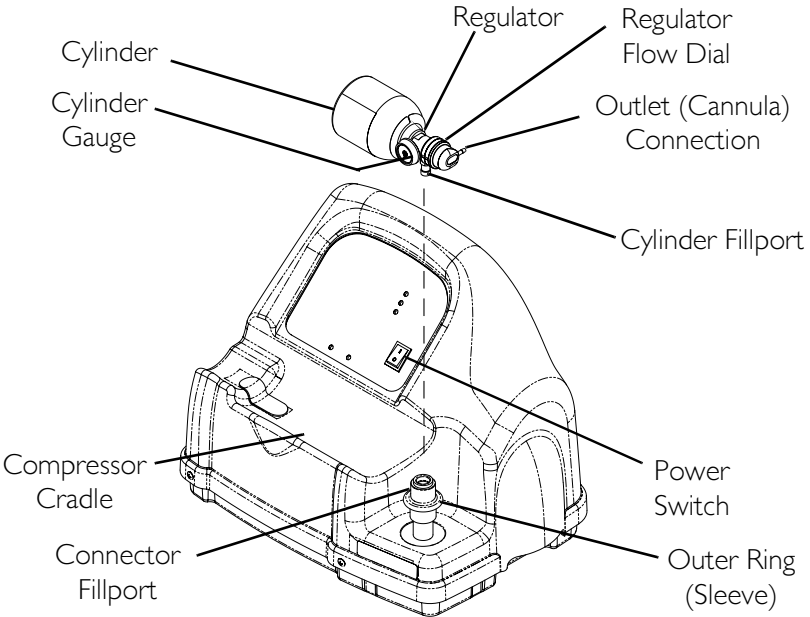
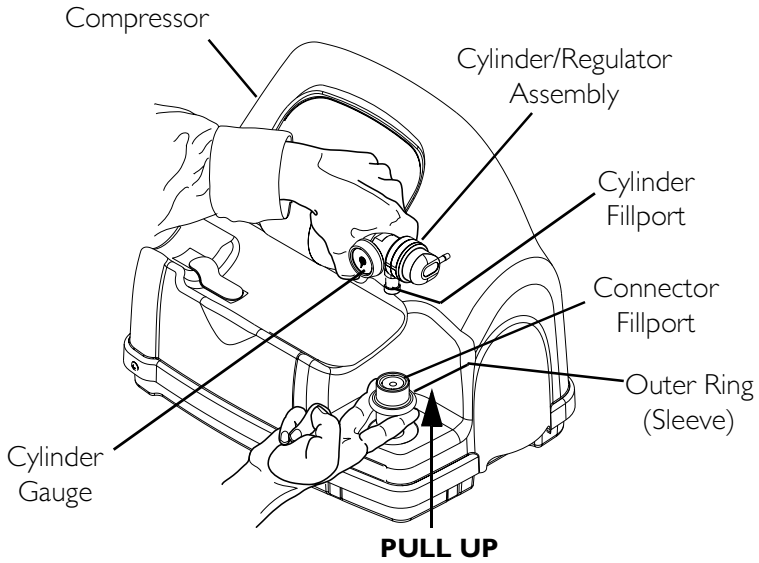


FIGURE 3.2 Resetting Connector Fillport

5. Grasp the cylinder/regulator assembly in the area behind the cylinder gauge (FIGURE 3.3).
6. Position the cylinder in the compressor cradle (FIGURE 3.3).
7. Align the cylinder fillport with the connector fillport (FIGURE 3.3).
8. Pull UP on the outer ring (sleeve) of the connector fillport while pushing DOWN on the cylinder/regulator assembly to couple the cylinder fillport into the connector fillport (FIGURE 3.3).

NOTE: The cylinder is properly connected when an audible “click” is heard.

SECTION 3—COMPRESSOR OPERATION



NOTE: Fillport covers not shown for clarity.

FIGURE 3.3 Connecting the Cylinder to the Compressor

Disconnecting the Cylinder from the Compressor

⚠ WARNING

NEVER use tools of any kind to connect/disconnect the cylinder and the compressor. Otherwise, severe injury and/or damage may occur.

NOTE: For this procedure, refer to FIGURE 3.4.

1. Press the compressor power switch to the Off (O) position.
2. Grasp the cylinder/regulator assembly in the area behind the cylinder gauge.
3. With the other hand, grasp the outer ring (sleeve) of the connector fillport and push DOWN.
4. Lift up on the cylinder/regulator assembly to remove from the connector fillport.

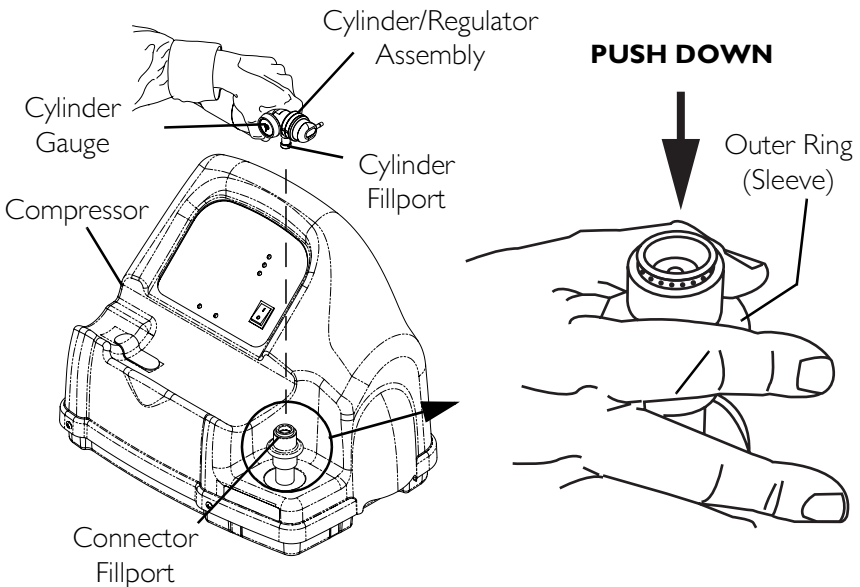


FIGURE 3.4 Disconnecting the Cylinder from the Compressor

5. When the cylinder fillport is disconnected from the connector fillport, release the outer ring (sleeve) of the connector fillport and use two hands to remove the cylinder from the compressor cradle.
6. Place the fillport covers onto the connector and cylinder fillports.

NOTE: The fillport covers should be used whenever cylinders are not being filled.

Turning the Compressor On

NOTE: For this procedure, refer to FIGURE 3.5.

1. Make sure the concentrator is On. Refer to the concentrator Owner's Manual.

CAUTION

The concentrator flow rate to the patient **MUST be set at maximum: 3 L/min. or less for Platinum 5, XL and 5 L/min. for Platinum 10. Otherwise, the oxygen level to the compressor will be <90% and the compressor will not fill the cylinder.**

2. Set the concentrator flow rate to the patient to 3 L/min. or less for Platinum 5, XL and 5 L/min. for Platinum 10. Refer to the concentrator Owner's Manual, Part One.
3. Make sure the cylinder is connected to the compressor. Refer to Connecting the Cylinder to the Compressor on page 22.
4. Push the power switch on the control panel to the On position.
5. Examine the control panel. The following sequence of events should occur:
 - A. 0-3 minutes - The WAIT (YELLOW) light will be lit while the compressor warms up.

- B. After three (3) minutes - The FILLING (GREEN) light will be on while the cylinder is filling.
- C. The FULL (GREEN) light will be on when the cylinder is finished filling. Proceed to STEP 6.

NOTE: The O₂ BELOW NORMAL (YELLOW) light may come on if the oxygen level from the concentrator has not yet reached or drops below 90%. The compressor will begin or resume filling when the oxygen level reaches 90%. If light does not go Off within ten (10) minutes, refer to the troubleshooting section on page.

NOTE: If the ATTENTION (RED) light and audible alarm are on. Refer to Troubleshooting/ Cylinder Fill times on page 31 of the HomeFill operator's manual, part number 1100873.

- 6. Remove the full cylinder. Refer to Disconnecting the Cylinder from the Compressor on page 25.

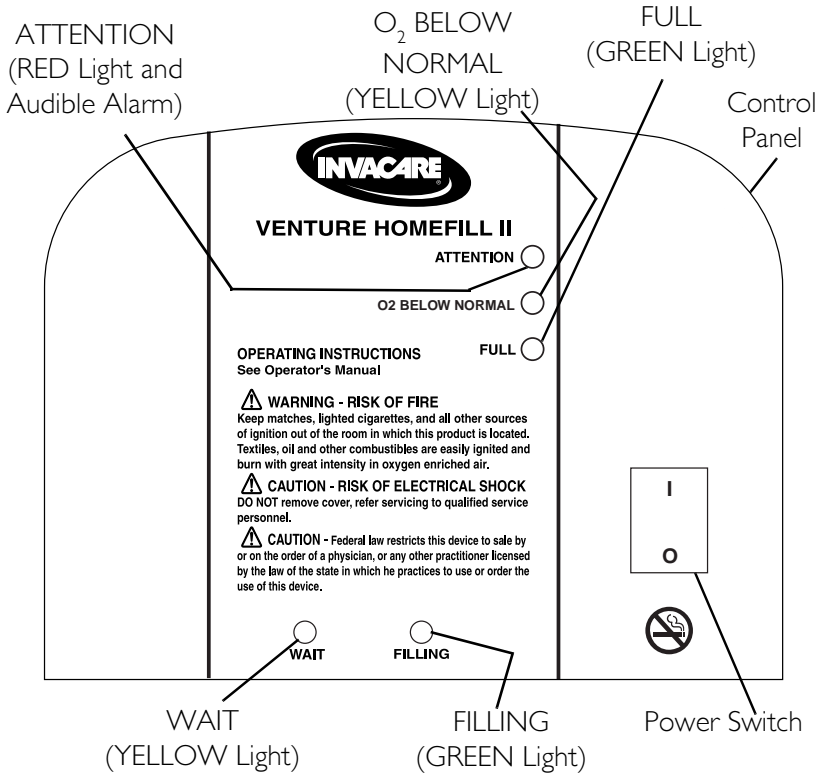


FIGURE 3.5 Turning the Compressor On

Setting the Flow Knob to the Prescribed Setting

NOTE: For this procedure, refer to FIGURE 3.6.

1. Attach the nasal cannula to the outlet fitting of the cylinder.
2. Turn the flow knob to the L/min. setting prescribed by your physician or therapist.

⚠ WARNING

As changing the L/min. setting on the flow knob will affect the dose of oxygen delivered, **DO NOT** readjust the L/min. setting unless directed by your physician or therapist.

3. To turn the flow of oxygen Off, turn the flow knob counter-clockwise to the Off position.

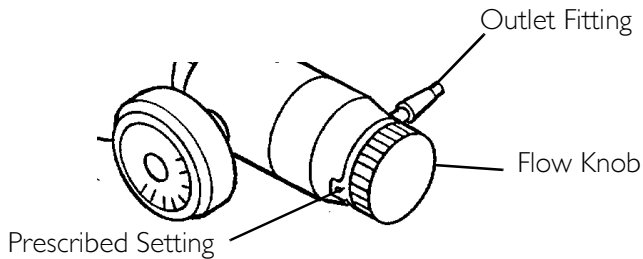


FIGURE 3.6 Setting the Flow Knob to the Prescribed Setting

NOTICE

Refer to HomeFill II Compressor Owner's Manual, I100873, for detailed information on all warnings, use, care and maintenance of the HomeFill II compressor.

CONCENTRATOR WARRANTY

NOTE: THE WARRANTY BELOW HAS BEEN DRAFTED TO COMPLY WITH FEDERAL LAW APPLICABLE TO PRODUCTS MANUFACTURED AFTER JULY 4, 1975.

This warranty is extended only to original purchaser of our products. This warranty gives you specific legal rights and you may also have other legal rights which may vary from state to state.

Invacare Corporation warrants its Platinum Oxygen Concentrator to be free from defects in materials and workmanship from date of purchase: Platinum 5 and XL for a period of five (5) years, Platinum 10 for a period of three (3) years. The 4-way valve body carries a lifetime warranty from date of purchase. **DO NOT OPEN OR ATTEMPT TO SERVICE VALVE BODY.** This will void any and all warranty applicable to the valve body. If within such warranty period any such product shall be proven to Invacare Corporation's satisfaction to be defective, such product shall be repaired or replaced, at Invacare Corporation's option. This warranty only applies to the labor for repairs performed by the Invacare Service Department or Invacare Service Centers. It does not apply to the labor performed by the purchaser or user. This warranty does not include normal wear and tear or shipping charges. Invacare Corporation's sole obligation and your exclusive remedy under this warranty shall be limited to such repair or replacement. Routine maintenance items, such as filters, are excluded from this warranty.

For warranty service, please contact Invacare Corporation's Service Department at the toll free number on the back cover.

Upon receiving notice of an alleged defect in a product, Invacare Corporation will issue a serialized return authorization. It shall then be the responsibility of the purchaser to return the entire unit or remove, at purchaser's cost, the defective component part(s) identified, pack the component part(s) in a manner to avoid shipping damage and to ship the component part(s) to either Invacare Corporation's plant or service center as specified by Invacare Corporation in advance. Defective component part(s) must be returned for warranty inspection using the serial number as identification within thirty (30) days of return authorization date. Do not return products to our factory without prior consent. C.O.D. shipments will be refused; please prepay shipping charges.

LIMITATIONS AND EXCLUSIONS: THE FOREGOING WARRANTY SHALL NOT APPLY TO PRODUCTS SUBJECT TO NEGLIGENCE, ACCIDENT, IMPROPER OPERATION, MAINTENANCE OR STORAGE, SOOT OR SMOKE-FILLED ENVIRONMENTS, OR OTHER THAN NORMAL APPLICATION, USE OR SERVICE, OR TO PRODUCTS MODIFIED WITHOUT INVACARE CORPORATION'S EXPRESS WRITTEN CONSENT (INCLUDING, BUT NOT LIMITED TO, MODIFICATION THROUGH THE USE OF UNAUTHORIZED PARTS OR ATTACHMENTS) OR TO PRODUCTS DAMAGED BY REASON OF REPAIRS MADE TO ANY COMPONENT WITHOUT THE SPECIFIC CONSENT OF INVACARE CORPORATION OR TO PRODUCTS DAMAGED BY CIRCUMSTANCES BEYOND INVACARE CORPORATION'S CONTROL.

THE FOREGOING EXPRESS WARRANTY IS EXCLUSIVE AND IN LIEU OF ANY OTHER WARRANTIES WHATSOEVER, WHETHER EXPRESS OR IMPLIED, INCLUDING THE IMPLIED WARRANTIES OF MERCHANTABILITY AND FITNESS FOR A PARTICULAR PURPOSE, AND THE SOLE REMEDY FOR VIOLATIONS OF ANY WARRANTY WHATSOEVER, SHALL BE LIMITED TO REPAIR OR REPLACEMENT OF THE DEFECTIVE PRODUCT PURSUANT TO THE TERMS CONTAINED HEREIN. THE APPLICATION OF ANY IMPLIED WARRANTY WHATSOEVER SHALL NOT EXTEND BEYOND THE DURATION OF THE EXPRESS WARRANTY PROVIDED HEREIN. INVACARE SHALL NOT BE LIABLE FOR ANY CONSEQUENTIAL OR INCIDENTAL DAMAGES WHATSOEVER.

SOME STATES DO NOT ALLOW THE EXCLUSION OR LIMITATION OF INCIDENTAL OR CONSEQUENTIAL DAMAGE, OR LIMITATION OF HOW LONG AN IMPLIED WARRANTY LASTS, SO THE ABOVE EXCLUSION AND LIMITATION MAY NOT APPLY TO YOU.

THIS WARRANTY SHALL BE EXTENDED TO COMPLY WITH STATE/PROVINCIAL LAWS AND REQUIREMENTS.



Yes, you can.

Invacare Corporation

USA

One Invacare Way
Elyria, Ohio USA
44036-2125
800-333-6900
Technical Services
800-832-4707

www.invacare.com

Invacare, Yes, you can, the Medallion Design and SensO₂ are registered trademarks of Invacare Corporation. Platinum and HomeFill are trademarks of Invacare Corporation.
© 2005 Invacare Corporation

Part No 1118354

Rev D - 09/05

Asm. No. 1106444